

LC898122AXA



ON Semiconductor®

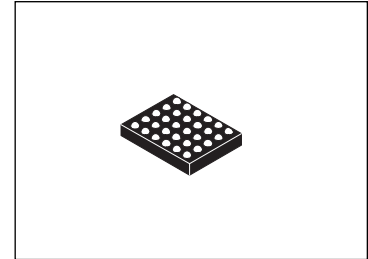
www.onsemi.com

CMOS LSI

Optical Image Stabilization (OIS) / Auto Focus (AF) Controller & Driver

Overview

LC898122AXA is a system LSI (WLP type) integrating a digital signal processing function for Optical Image Stabilization (OIS) / Auto Focus (AF) control and driver.



WLCSP30, 2.59x1.99

Function

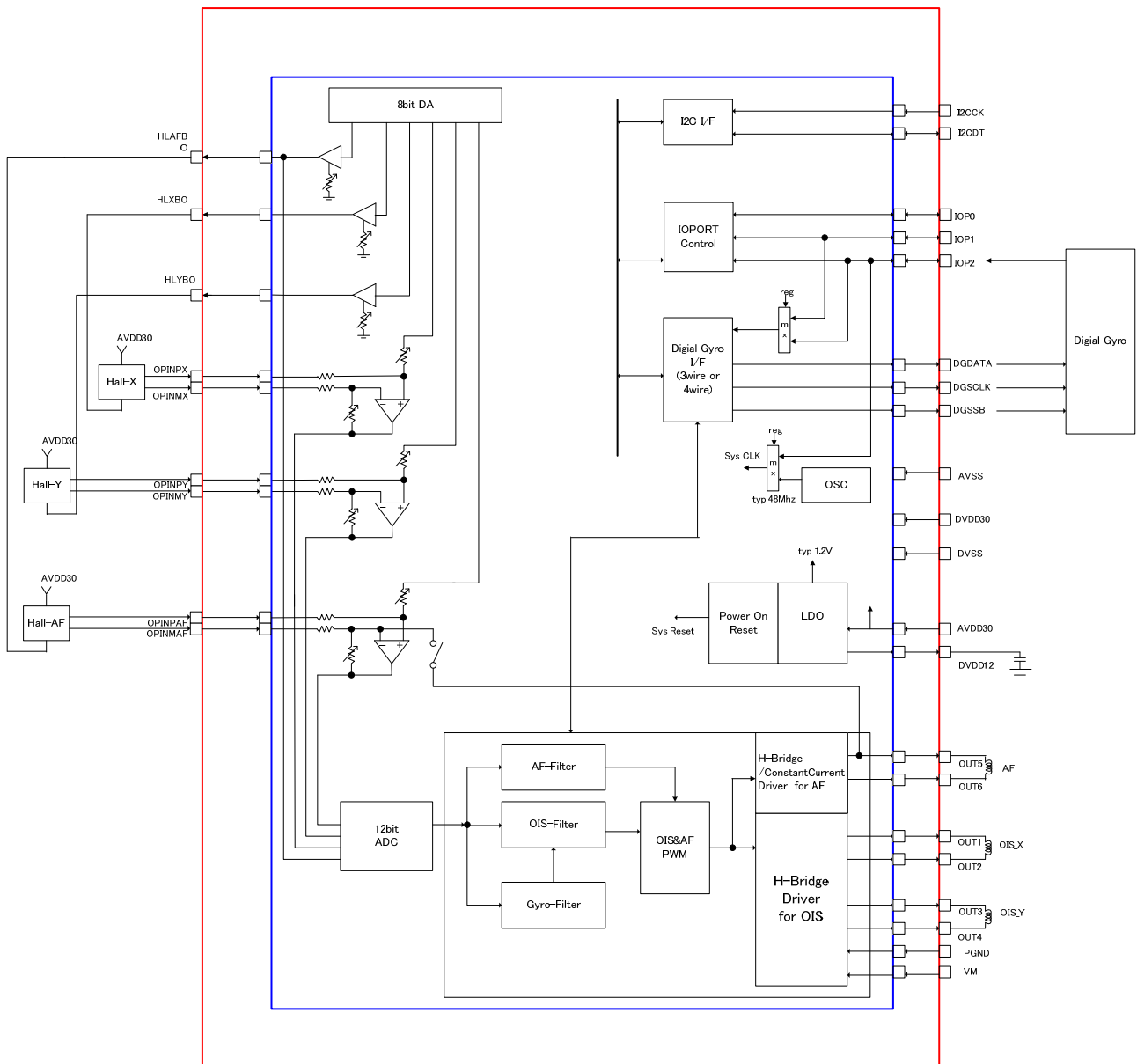
- Digital signal processing
 - Built-in digital servo circuit
 - Built-in Gyro filter
 - AD converter
 - 12bit
 - Input 3ch
 - Equipped with a sample-hold circuit
 - DA converter
 - 8bit
 - Output 3ch
 - Built-in Serial I/F circuit (2-wire I²C-Bus)
 - Built-in Hall Bias circuit
 - Built-in Hall Amp
(Gain of Op-amp :
×6, ×12, ×50, ×75, ×100, ×150, ×200)
 - Built-in OSC (Oscillator)
Typ. 48MHz (Frequency adjustment function)
 - Built-in LDO (Low Drop-Out regulator)
 - Digital Gyro I/F for the companies (SPI Bus)
(Please refer for the details)
- Motor Driver
 - OIS control & drive H bridge ×2ch, I_{Omax} : 220mA
 - AF control & driver H bridge/constant current ×1ch : 150mA
- Package
 - WLCSP30, 2.59mm × 1.99mm, thickness Max. 0.45mm, with B/C
 - Pd-Free / Halogen Free
- Power Supply Voltage
 - AD/DA/VGA/LDO/OSC : AVDD30 = 2.6V to 3.6V
 - Digital I/O : DVDD30 = 2.6V to 3.6V
 - Driver : VM = 2.6V to 3.6V
 - Core Logic : Generation in LDO
DVDD12 = typ 1.2V output

* I²C Bus is a trademark of Philips Corporation.

ORDERING INFORMATION

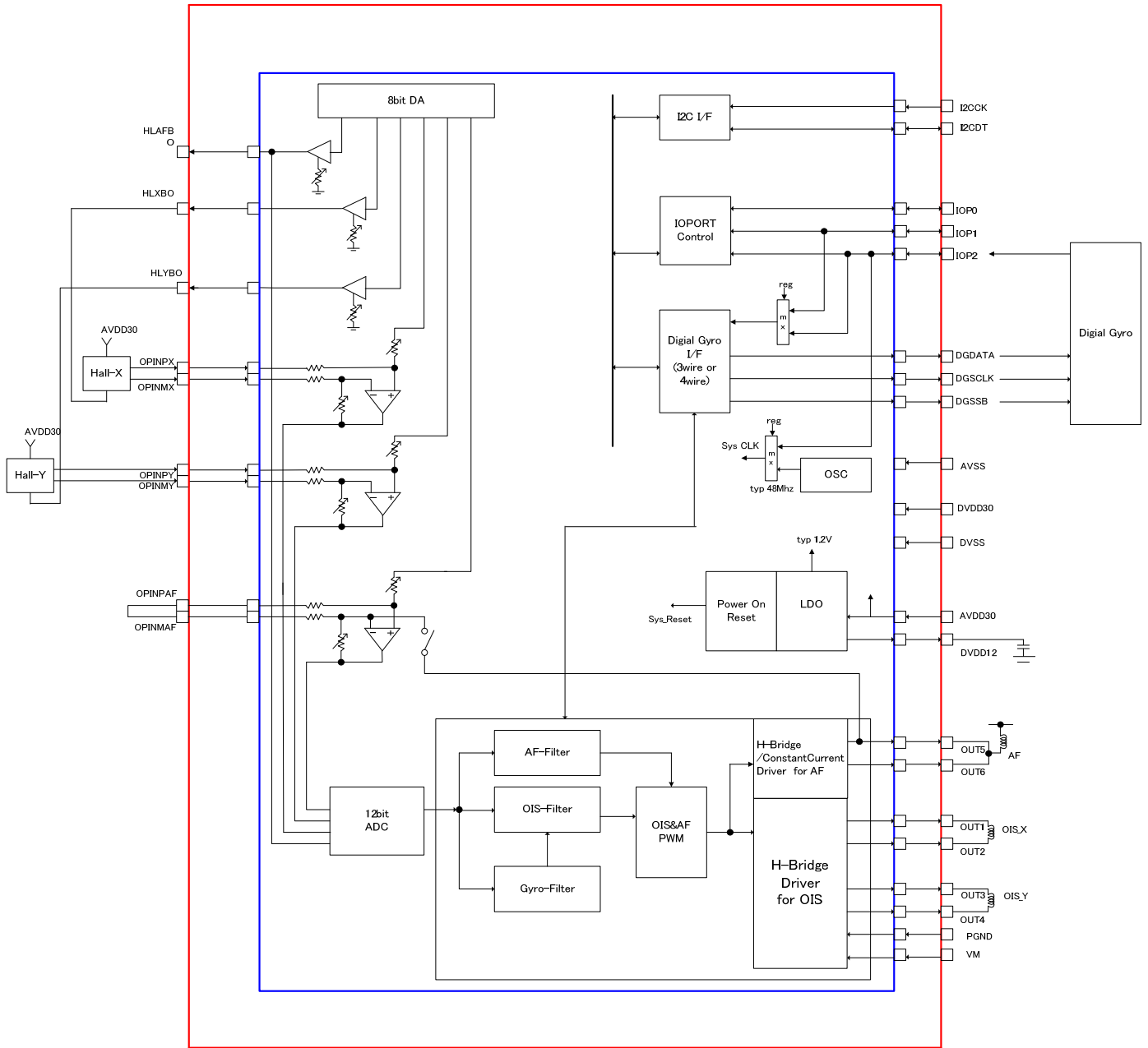
See detailed ordering and shipping information on page 12 of this data sheet.

Block Diagram



Example of wiring diagram [Hall, Closed AF] in LC898122AXA

LC898122AXA

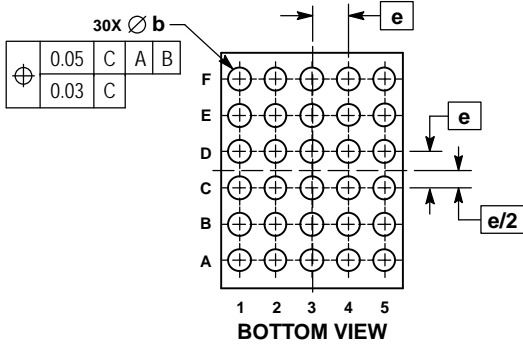
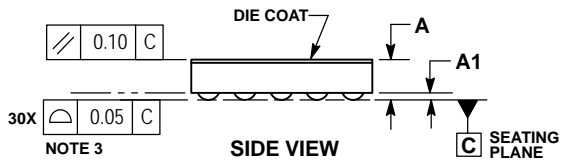
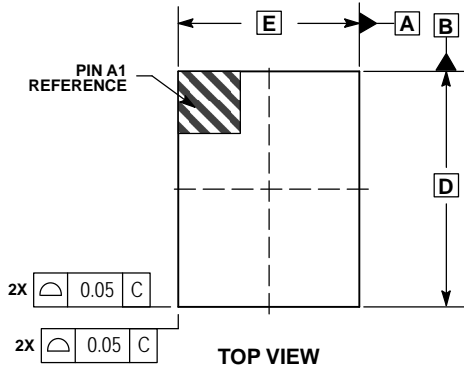


Example of wiring diagram [Hall(OIS), Open AF] in LC898122AXA

Package Dimensions

unit : mm

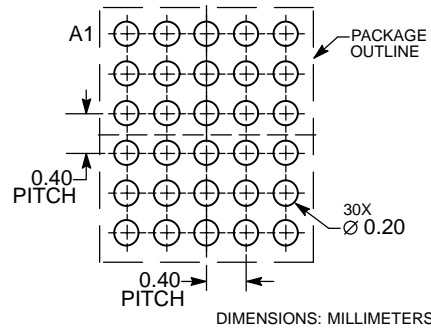
WLCSP30, 2.59x1.99
CASE 567HG
ISSUE O



- NOTES:
1. DIMENSIONING AND TOLERANCING PER ASME Y14.5M, 1994.
 2. CONTROLLING DIMENSION: MILLIMETERS.
 3. COPLANARITY APPLIES TO SPHERICAL CROWNS OF SOLDER BALLS.

DIM	MILLIMETERS	
	MIN	MAX
A	---	0.45
A1	0.03	0.13
b	0.15	0.25
D	2.59 BSC	
E	1.99 BSC	
e	0.40 BSC	

RECOMMENDED SOLDERING FOOTPRINT*



*For additional information on our Pb-Free strategy and soldering details, please download the ON Semiconductor Soldering and Mounting Techniques Reference Manual, SOLDERRM/D.

Pin Assignment

Bottom view

	OUT5	OUT4	OUT3	PGND	OUT2	OUT1
5	OUT6	DGDATA	DGSSB	VM	I2CDT	I2CCK
4	HLAFBO	DVSS	DGCLK	DVDD30	IOP2	IOP1
3	HLYBO	HLXBO	OPINMAF	OPINMX	OPINMY	IOP0
2	OPINPAF	OPINPX	OPINPY	AVSS	AVDD30	DVDD12
1	F	E	D	C	B	A

- Driver
- Analog VDD
- Analog GND
- Digital GND
- Digital VDD
- Logic Core VDD (Output)

LC898122AXA

<typ> I : INPUT, O : OUTPUT, B : BIDIRECTION, P : Power

Ball No.	Pin Name	type	Description
A1	DVDD12	P	LDO Power supply out (Logic Core VDD (typ 1.2V))
A2	IOP0	B	General-purpose IOPORT
A3	IOP1	B	General-purpose IOPORT
A4	I2CCK	I	I2C IF clock
A5	OUT1	O	OIS Driver output (H bridge)
B1	AVDD30	P	Analog Power (2.6 to 3.6V)
B2	OPINMY	I	OIS Hall-Y OpAmp input-
B3	IOP2	B	General-purpose IOPORT/ External Clock input (switch from OSC at Register)
B4	I2CDT	B	I2C_IF Data
B5	OUT2	O	OIS Driver output (H bridge)
C1	AVSS	P	Analog GND
C2	OPINMX	I	OIS Hall-X OpAmp input-
C3	DVDD30	P	IO Power (2.6V to 3.6V)
C4	VM	P	Driver Power (2.6V to 3.6V)
C5	PGND	P	Driver GND
D1	OPINPY	I	Hall-Y Bias (Current Drive) for OIS
D2	OPINMAF	I	AF Hall OpAmp input-
D3	DGSCCLK	B	Digital Gyro IF clock / General-purpose IOPORT
D4	DGSSB	B	Digital Gyro IF Chip Select / General-purpose IOPORT
D5	OUT3	O	OIS Driver output (H bridge)
E1	OPINPX	I	Hall-X OpAmp input+ for OIS
E2	HLXBO	O	Hall-X Bias (Current Driver) for OIS
E3	DVSS	P	Logic GND
E4	DGDATA	B	Digital Gyro IF Data (3wire : Data in/out, 4wire : Data out)
E5	OUT4	O	OIS Driver output (H bridge)
F1	OPINPAF	I	AF Hall OpAmp input+
F2	HLXBO	O	Hall-Y Bias (current drive) for OIS
F3	HAFBFO	O	Hall Bias (current drive) for AF
F4	OUT6	O	AF Driver output (H bridge/constant current)
F5	OUT5	O	AF Driver output (H bridge/constant current)

Pin Description

<typ> I : INPUT, O : OUTPUT, B : BIDIRECTION, P : Power,GND

	Pin name	typ	Pin Description	function change method (first function in Reset)
I2C IF	I2CCK	I	I2C clock input	
	I2CDT	B	I2C data	
Digital Gyro IF	DGDATA	B	3-wire Digital Gyro I/f Data	Change at Register
		O	4-wire Digital Gyro I/f Data output	
		B	General-purpose IOPORT	
		O	inner signal monitor	
	DGSCCLK	O	3-wire /4-wire Digital Gyro SPI I/f clock	Change at Register
		B	General-purpose IOPORT	
		O	inner signal monitor	
	DGSSB	O	3-wire/4-wireDigital Gyro I/f Chip Select	Change at Register
		B	General-purpose IOPORT	
O		inner signal monitor		
IOPORT	IOP0	B	General-purpose IOPORT	Change at Register
		O	inner signal monitor	
		O	pin for servo evaluation	
	IOP1	B	General-purpose IOPORT	Change at Register
		O	inner signal monitor	
		I	pin for servo evaluation	
		I	4-wire Digital Gyro data input	
	IOP2	B	General –purpose IOPORT (OpenDrain output)	Change at Register
		O	inner signal monitor	
		I	pin for servo evaluation	
		I	4-wire Digital Gyro data input	
I		External Clock (all block/OIS_PWM/AF_PWM) switch External Clock at register CLKSEL[020Ch] from OSC		
DAC I/F	HLXBO	O	Bias for Hall-X (current drive)	
	HLYBO	O	Bia for Hall-Y (current drive)	
OpAmp	OPINPX	I	Hall-X OpAmp input+ for OIS	
	OPINMX	I	Hall-X OpAmp input- for OIS	
	OPINPY	I	Hall-Y OpAmp input+ for OIS	
	OPINMY	I	Hall-Y OpAmp input- for OIS	
	OPINPAF	I	Hall OpAmp input+ for AF	
	OPINMAF	I	HallOpAmp input- for AF	
Driver I/F	OUT1	O	Driver Saturation-drive H bridge output (1st channel) for OIS	
	OUT2	O	Driver Saturation-drive H bridge output (1st channel) for OIS	
	OUT3	O	Driver Saturation-drive H bridge output (2nd channel) for OIS	
	OUT4	O	Driver Saturation-drive H bridge output (2nd channel) for OIS	
	OUT5	O	Driver Saturation-drive H bridge/constant current output for AF	
	OUT6	O	Driver Saturation-drive H bridge/constant current output for AF	
Power	VM	P	Driver power supply	
	PGND	P	Driver GND	
	AVDD30	P	Analog power supply	
	AGND	P	Analog GND	
	DVDD30	P	IO power supply	
	DVDD12	P	Logic power output (LDO output)	
	DVSS	P	Logic GND	

Electrical Characteristics

Logic

1) Absolute Maximum Rating at $V_{SS}=0V$

Parameter	Symbol	Conditions	Ratings	Unit
Power supply voltage	$V_{DD30\ max}$	$T_a \leq 25^\circ C$	-0.3 to 4.6	V
	$V_{DD30\ max}$	$T_a \leq 25^\circ C$	-0.3 to 4.6	V
Input/Output voltage	V_{AI30}, V_{AO30}	$T_a \leq 25^\circ C$	-0.3 to $V_{AD30}+0.3$	V
	V_{DI30}, V_{DO30}	$T_a \leq 25^\circ C$	-0.3 to $V_{AD30}+0.3$	V
Storage temperature	Tstg		-55 to 125	$^\circ C$
Operating temperature	Topr		-30 to 85	$^\circ C$

Stresses exceeding those listed in the Maximum Ratings table may damage the device. If any of these limits are exceeded, device functionality should not be assumed, damage may occur and reliability may be affected.

2) Allowable Operating Ratings at $T_a = -30$ to $85^\circ C, V_{SS} = 0V$

3.0V Power Supply (AVDD30)

Parameter	Symbol	Min	Typ	Max	Unit
Power supply voltage	V_{AD30}	2.6	3.0	3.6	V
Input voltage range	V_{IN}	0	-	3.6	V

3.0V Power Supply (DVDD30)

Parameter	Symbol	Min	Typ	Max	Unit
Power supply voltage	V_{DD30}	2.6	3.0	3.6	V
Input voltage range	V_{IN}	0	-	V_{DD30}	V

Functional operation above the stresses listed in the Recommended Operating Ranges is not implied. Extended exposure to stresses beyond the Recommended Operating Ranges limits may affect device reliability.

3) D.C. Characteristics : Input/Output $V_{SS}=0V, V_{dd}=2.6$ to $3.6V, V_{dd2}=2.6$ to $3.6V, T_a = -30$ to $85^\circ C$

Parameter	Symbol	Conditions	Min	Typ	Max	unit	Applicable pin
High-level input voltage	V_{IH}	CMOS schmidt	1.48			V	I2CCK, I2CDT, IOP2
Low-level input voltage	V_{IL}				0.37	V	
High-level input voltage	V_{IH}	CMOS supported	1.40				DGDATA, DGCLK, DGSSB, IOP0, IOP1
Low-level input voltage	V_{IL}				0.51	V	
High-level output voltage	V_{OH}	$I_{OH}=-2m A$	$V_{dd}-0.4$			V	DGDATA, DGCLK, DGSSB, IOP0, IOP1, IOP2
Low-level output voltage	V_{OL}	$I_{OL}=2mA$			0.4	V	
Low-level output voltage	V_{OL}	$I_{OL}=2mA$			0.2	V	I2CDT
Analog input voltage	V_{AI}		V_{SS}		V_{dd2}	V	OPINPX, OPINMX, OPINPY, OPINMY
PullUp resistor	Rup		50		200	K Ω	DGDATA, DGCLK, DGSSB, IOP0, IOP1, IOP2
PullDown resistor	Rdn		50		220	K Ω	DGDATA, DGCLK, DGSSB, IOP0, IOP1, IOP2

Product parametric performance is indicated in the Electrical Characteristics for the listed test conditions, unless otherwise noted. Product performance may not be indicated by the Electrical Characteristics if operated under different conditions.

Driver

1) Absolute Maximum Ratings

Parameter	Symbol	Condition	Ratings	Symbol
Power supply voltage	VMmax		4.6	V
Output peak current	Iopeak	OUT1 to 4 t ≤ 10ms, ON-duty ≤ 20%	300	mA
		OUT5, OUT6 t ≤ 10ms, ON-duty ≤ 20%	200	mA
Output continuous current	Iomax	OUT1 to 4	220	mA
		OUT5,OUT6	150	mA

Stresses exceeding those listed in the Maximum Ratings table may damage the device. If any of these limits are exceeded, device functionality should not be assumed, damage may occur and reliability may be affected.

2) Operating Range

Parameter	Symbol	Condition	Ratings	Symbol
Ambient temperature	Topg		-30 to +85	°C
Power supply voltage	VM		2.6 to 3.6	V

Functional operation above the stresses listed in the Recommended Operating Ranges is not implied. Extended exposure to stresses beyond the Recommended Operating Ranges limits may affect device reliability.

3) H-Bridge Driver Output at Ta=25°C, VM=3.0V

Parameter	Symbol	Condition	Ratings (Ω)	Symbol
Output ON resistance OUT1 to OUT4	Ronu	Io=220mA(Pch)	2.0	Ω
	Rond	Io=220mA(Nch)	1.0	Ω
Output ON resistance OUT5, OUT6	Ronu	Io=150mA(Pch)	1.0	Ω
	Rond	Io=150mA(Nch)	2.0(*)	Ω

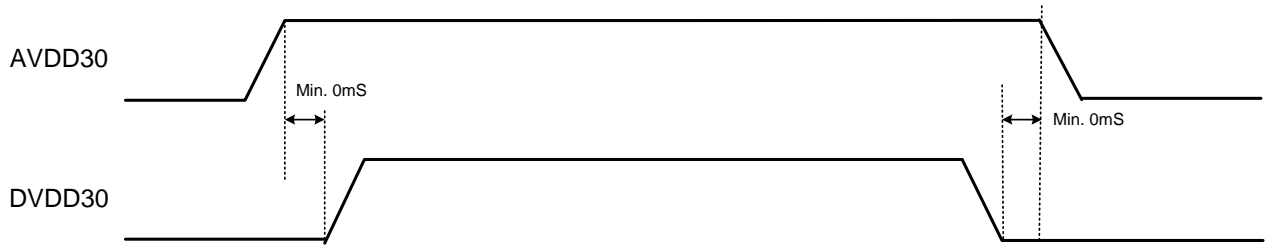
(*) include Constant current detect resistance

4) Constant Current Open-AF Driver output at Ta=25°C, VM=2.8V

	condition 1	condition 2	output current *1
	DAC code of AF Driver AF_D[9:0]	DAC gain of AF Driver DGAINDAF(0083h[6:4]) (AF_GAIN_D[2:0])	typ
OUT5, OUT6	3FFh (Full Code)	4	150mA

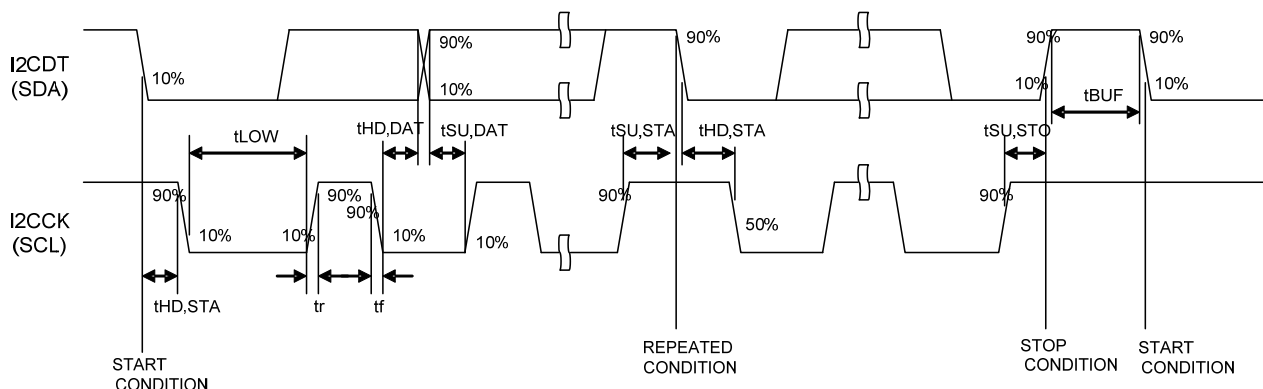
*1 output current is calculated by registance of VCM and (the drain-source voltage of Nch Driver Tr) + (sense registance voltage).
ex. In the case of "VM=3V" and "output current=100mA"
(the drain-source voltage of Nch Driver Tr) + (sense registance voltage)= max 0.5V.
VCM registance (Rvcm) = (2.8-0.5) / 0.1 = 23Ω

AC Characteristics
Power Sequence



(*) Don't care about injection order of VM

I²C Interface Timing



I²C interface timing definition

Item	Symbol	Pin name	Min	Typ	Max	Units
SCL clock frequency	F _{scl}	I2CCK			400	KHz
START condition hold time	t _{HD,STA}	I2CCK I2CDT	0.6			μs
SCL clock Low period	t _{LOW}	I2CCK	1.3			μs
SCL clock High period	t _{HIGH}	I2CCK	0.6			μs
Setup time for repetition START condition	t _{SU,STA}	I2CCK I2CDT	0.6			μs
Data hold time	t _{HD,DAT}	I2CCK I2CDT	0 (*1)		0.9	μs
Data setup time	t _{SU,DAT}	I2CCK I2CDT	100			μs
SDA, SCL rising time	t _r	I2CCK I2CDT			300	μs
SDA, SCL falling time	t _f	I2CCK I2CDT			300	μs
STOP condition setup time	t _{SU,STO}	I2CCK I2CDT	0.6			μs
Bus free time between STOP and START	t _{BUF}	I2CCK I2CDT	1.3			μs

(*1) Although the I²C specification defines a condition that 300 ns of hold time is required internally, LC898122AXA is designed for a condition with typ. 30 ns of hold time. If SDA signal is unstable around falling point of SCL signal, please implement an appropriate treatment on board, such as inserting a resistor

ORDERING INFORMATION

Device	Package	Shipping (Qty / Packing)
LC898122AXA-VH	WLCSP30, 2.59x1.99 (Pb-Free / Halogen Free)	5000 / Tape & Reel

† For information on tape and reel specifications, including part orientation and tape sizes, please refer to our Tape and Reel Packaging Specifications Brochure, BRD8011/D. http://www.onsemi.com/pub_link/Collateral/BRD8011-D.PDF

ON Semiconductor and the ON logo are registered trademarks of Semiconductor Components Industries, LLC (SCILLC) or its subsidiaries in the United States and/or other countries. SCILLC owns the rights to a number of patents, trademarks, copyrights, trade secrets, and other intellectual property. A listing of SCILLC's product/patent coverage may be accessed at www.onsemi.com/site/pdf/Patent-Marking.pdf. SCILLC reserves the right to make changes without further notice to any products herein. SCILLC makes no warranty, representation or guarantee regarding the suitability of its products for any particular purpose, nor does SCILLC assume any liability arising out of the application or use of any product or circuit, and specifically disclaims any and all liability, including without limitation special, consequential or incidental damages. "Typical" parameters which may be provided in SCILLC data sheets and/or specifications can and do vary in different applications and actual performance may vary over time. All operating parameters, including "Typicals" must be validated for each customer application by customer's technical experts. SCILLC does not convey any license under its patent rights nor the rights of others. SCILLC products are not designed, intended, or authorized for use as components in systems intended for surgical implant into the body, or other applications intended to support or sustain life, or for any other application in which the failure of the SCILLC product could create a situation where personal injury or death may occur. Should Buyer purchase or use SCILLC products for any such unintended or unauthorized application, Buyer shall indemnify and hold SCILLC and its officers, employees, subsidiaries, affiliates, and distributors harmless against all claims, costs, damages, and expenses, and reasonable attorney fees arising out of, directly or indirectly, any claim of personal injury or death associated with such unintended or unauthorized use, even if such claim alleges that SCILLC was negligent regarding the design or manufacture of the part. SCILLC is an Equal Opportunity/Affirmative Action Employer. This literature is subject to all applicable copyright laws and is not for resale in any manner.

Mouser Electronics

Authorized Distributor

Click to View Pricing, Inventory, Delivery & Lifecycle Information:

[ON Semiconductor:](#)

[LC898122AXA-VH](#)

Компания «Life Electronics» занимается поставками электронных компонентов импортного и отечественного производства от производителей и со складов крупных дистрибьюторов Европы, Америки и Азии.

С конца 2013 года компания активно расширяет линейку поставок компонентов по направлению коаксиальный кабель, кварцевые генераторы и конденсаторы (керамические, пленочные, электролитические), за счёт заключения дистрибьюторских договоров

Мы предлагаем:

- Конкурентоспособные цены и скидки постоянным клиентам.
- Специальные условия для постоянных клиентов.
- Подбор аналогов.
- Поставку компонентов в любых объемах, удовлетворяющих вашим потребностям.
- Приемлемые сроки поставки, возможна ускоренная поставка.
- Доставку товара в любую точку России и стран СНГ.
- Комплексную поставку.
- Работу по проектам и поставку образцов.
- Формирование склада под заказчика.
- Сертификаты соответствия на поставляемую продукцию (по желанию клиента).
- Тестирование поставляемой продукции.
- Поставку компонентов, требующих военную и космическую приемку.
- Входной контроль качества.
- Наличие сертификата ISO.

В составе нашей компании организован Конструкторский отдел, призванный помогать разработчикам, и инженерам.

Конструкторский отдел помогает осуществить:

- Регистрацию проекта у производителя компонентов.
- Техническую поддержку проекта.
- Защиту от снятия компонента с производства.
- Оценку стоимости проекта по компонентам.
- Изготовление тестовой платы монтаж и пусконаладочные работы.



Тел: +7 (812) 336 43 04 (многоканальный)

Email: org@lifeelectronics.ru