

Ordering a market-ready enclosure® is made fast and affordable with our complete in-house capabilities. New Age provides machined openings to fit your PCB, pad printing for your graphics, custom enclosures, custom colors, final assembly, testing and fulfillment services to save you additional time and money. Ask your representative for a free quote today 805-595-1310.

Fast and Affordable Customization

**CNC Modifications
Pad Printing
Colored Resins
EMI/RF Shielding
Custom Enclosure
Assembly & Testing**



ISO quality
off-the-shelf
to market-ready®

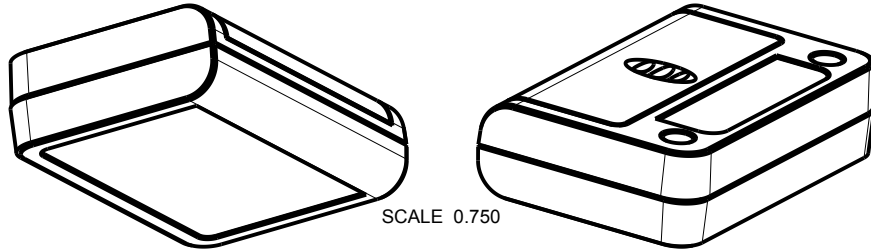
NEW AGE ENCLOSURES

www.NewAgeEnclosures.com

4330 Santa Fe Road • San Luis Obispo, CA 93401 • T 805.595.1310 • F 805.595.1024

NOTES: UNLESS OTHERWISE SPECIFIED

- CORNERS DRAWN SHARP TO BE R.005 MAXIMUM.
- EXTERIOR SURFACE TEXTURE TO BE LIGHT EDM FINISH. EQUIVALENT TO MT-11006.
- INTERIOR SURFACE TEXTURE TO BE: NONE.
- ALL INSIDE RADII .010R. UNLESS OTHERWISE SPECIFIED.
- ALL EXTERNAL DIMENSIONS AFFECTED BY THE DRAFT APPLY AT THE LARGE END OF THE FEATURE, AND ALL INTERNAL FEATURES AFFECTED BY THE DRAFT APPLY AT THE SMALL END OF THE FEATURE UNLESS OTHERWISE SPECIFIED.
- 1 DEGREE DRAFT IN THE DIRECTION OF PULL IS PERMISSIBLE UNLESS OTHERWISE SPECIFIED.
- MATERIAL / COLOR: ABS PLASTIC IS STANDARD IN BLACK OR WHITE. CUSTOM MATERIALS AND COLORS ARE AVAILABLE UPON REQUEST FOR QUOTE.
- PCB SIZES ARE RECOMMENDATIONS ONLY. FINAL SIZES AND VERIFICATION OF ITS FIT ARE THE SOLE RESPONSIBILITY OF EACH OWNER.
- STANDARD OR CUSTOM LABEL RECESSES ARE AVAILABLE FOR QUOTE.
- ASSEMBLY SCREWS FOR THE ENCLOSURE INCLUDED.
- THIS DRAWING IS BASED ON A SOLID MODEL, AND IS FURTHER DEFINED BY THE SOLID MODEL FILE.



SCALE 0.750

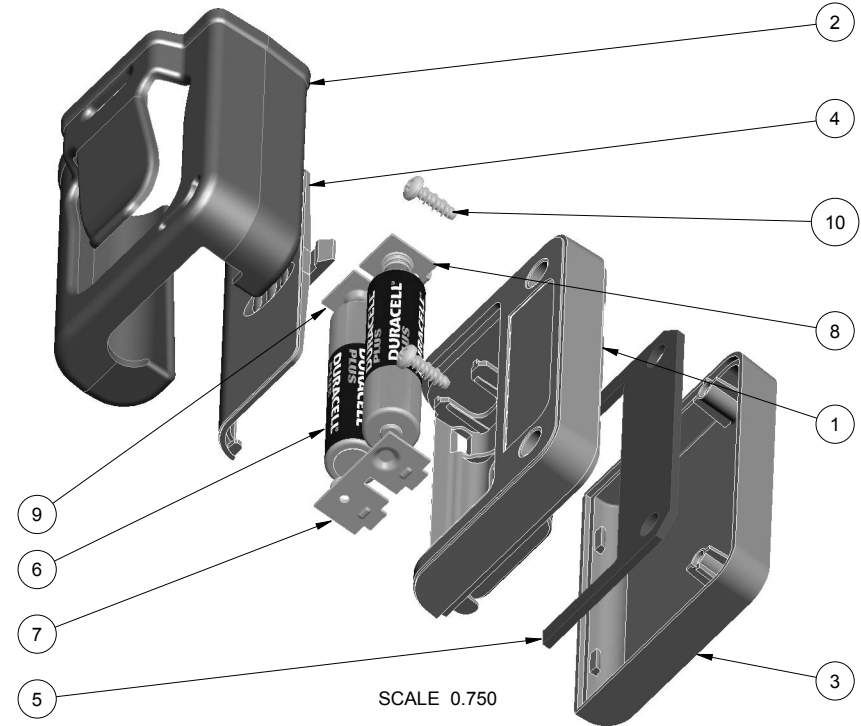
261707(x) CONFIGURATIONS			
	-Blank	-BC	-K
261707 COVER	1		1
261707 BASE	1		1
261707 HATCH	1		1
261707 BELT CLIP		1	1
#4 HiLo SCREW .375"	2		2

ITEM	FILE NAME	DESCRIPTION	MATERIAL	COLOR	QTY.
10	N04_HI-LO	SCREW - HiLo #4	No4 HiLo x 3/8"	ZINC PLATED	2
9	AAA-SINGL-CONTACT-POS	ACC-AAAPOS-5226	SOLD SEPERATELY	NICKEL PLATED	1
8	AAA-SINGL-CONTACT-NEG	ACC-AAANEG-5204	SOLD SEPERATELY	NICKEL PLATED	1
7	AAA-DBL-CONTACT	ACC-AAADBL-5214L	SOLD SEPERATELY	NICKEL PLATED	1
6	AAA-BATTERY	AAA BATTERY	REFERENCE	CUSTOMER SUPPLIED	2
5	261707-PCB	261707 PCB - REFERENCE	.062" THICK	CUSTOMER SUPPLIED	1
4	261707-HATCH	261707 HATCH - STANDARD	ABS	BLACK or WHITE	1
3	261707-COVER	261707 COVER - STANDARD	ABS	BLACK or WHITE	1
2	261707-BELT-CLIP	261707 BELT CLIP	ABS	BLACK or WHITE	1
1	261707-BASE	261707 BASE - STANDARD	ABS	BLACK or WHITE	1

BILL OF MATERIALS

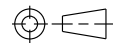
R E V I S I O N

REV.	DRAWN BY	ECO No	DESCRIPTION	DATE	APPROVED
A	M BOYER	DR XXX	PRELIMINARY RELEASE	17-May-13	D.C.
B	M BOYER		REVISE PART NUMBER AND REVISE PER MEETING	25-Jun-13	D.C.
C	R CRUZ		ADD BELT CLIP INFORMATION	18-Oct-13	D.C.
D	M BOYER		REVISE BELT CLIP	11-Nov-13	D.C.
E	M BOYER		REVISE PER MEETING NOV 18 2013	19-Nov-13	D.C.
F	R CRUZ		UPDATE CONFIGURATION TABLE	27-May-14	D.C.
1.0	R CRUZ	0319	UPDATE TO AS BUILT AND RELEASE	12-Jun-14	



SCALE 0.750

THIRD ANGLE PROJECTION



DO NOT SCALE DRAWING

TOLERANCES: UNLESS OTHERWISE SPECIFIED
DIMENSIONS ARE IN U.S. INCHES.
X.XX = .015 X.XXXX = .001
X.XXX = .010 X.X" = 1"

NEW AGE ENCLOSURES

Customer's Part No: 261707

APPROVAL BY DATE

CHECK

ENG.

SCALE AS NOTED

DRAWN BY M BOYER

17-May-13

NEW AGE ENCLOSURES

4330 Santa Fe Road San Luis Obispo, CA. 93401
ph. (805) 595-1310 fax (805) 595-1024

www.newageenclosures.com

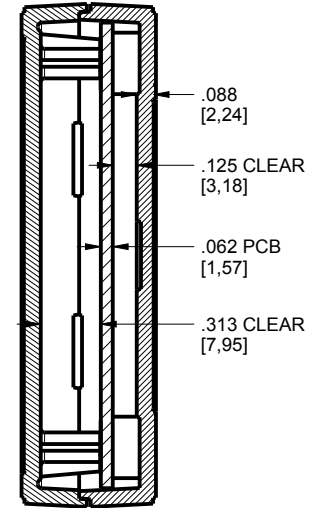
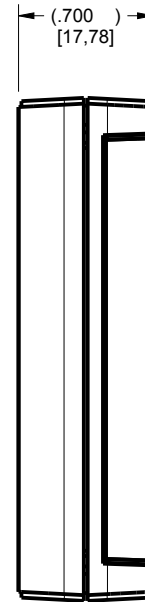
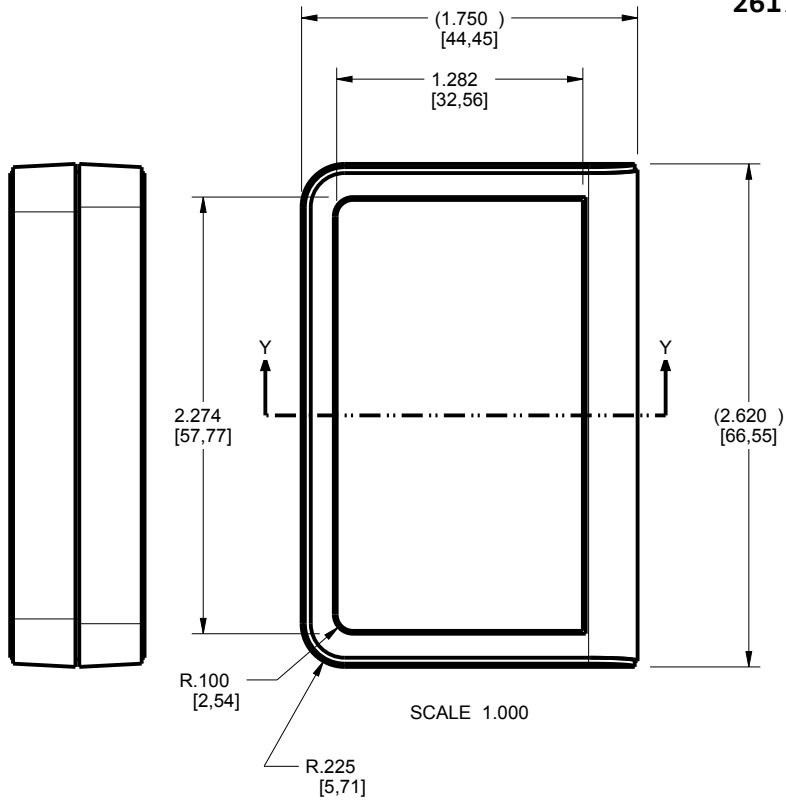
**STANDARD - AAA FOB
SXX-261707-XXX**

SIZE A DRAWING NAME 261707_R1_0

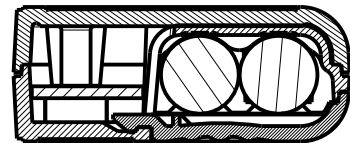
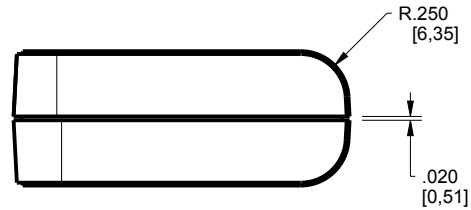
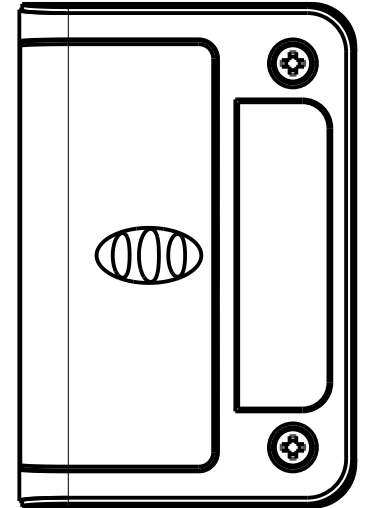
SHEET 1 OF 8

REV.DOC 1.0

261707 ASSEMBLY



SECTION R-R



SECTION Y-Y

TOLERANCES: UNLESS OTHERWISE SPECIFIED
DIMENSIONS ARE IN U.S. INCHES.
X.XX = .015 X.XXXX = .001
X.XXX = .010 X.X° = 1°

NEW AGE ENCLOSURES

Customer's Part No: 261707

APPROVAL BY DATE

CHECK

ENG.

SCALE AS NOTED

DRAWN BY M BOYER 17-May-13

NEW AGE ENCLOSURES

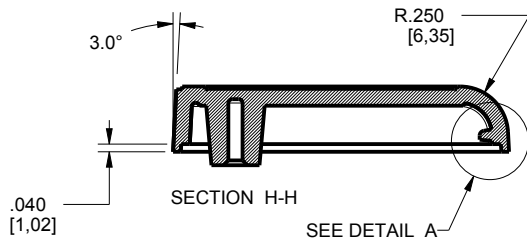
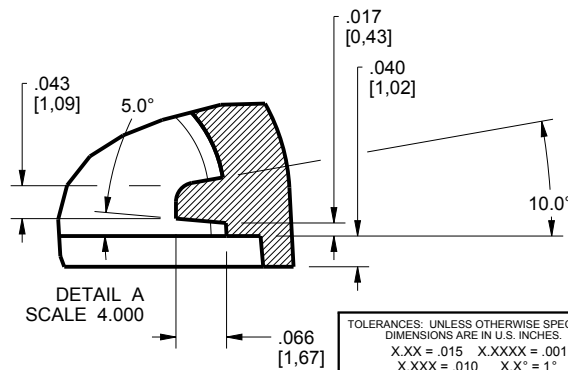
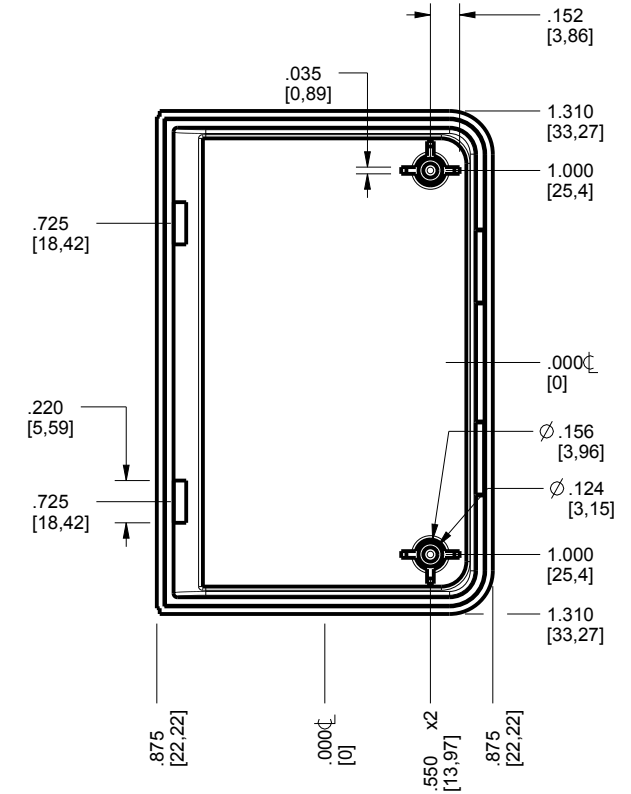
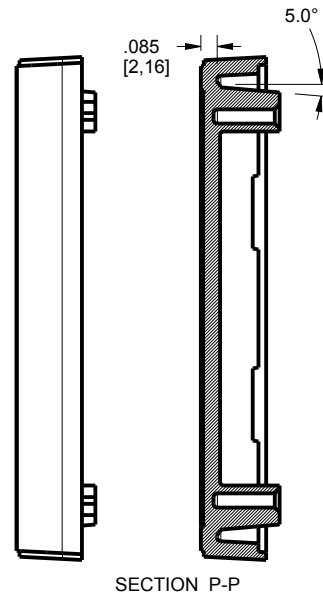
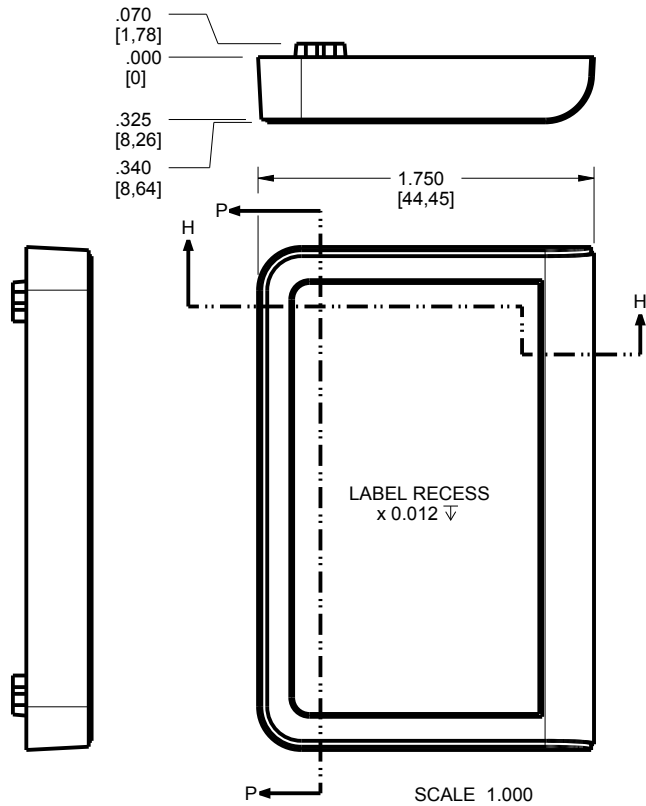
4330 Santa Fe Road San Luis Obispo, CA. 93401
ph. (805) 595-1310 fax (805) 595-1024
www.newageenclosures.com

STANDARD - AAA FOB
SXX-261707-XXX

SIZE A DRAWING NAME 261707_R1_0

SHEET 2 OF 8 REV.DOC 1.0

261707 COVER



TOLERANCES: UNLESS OTHERWISE SPECIFIED
 DIMENSIONS ARE IN U.S. INCHES.
 X.XX = .015 X.XXXX = .001
 X.XXX = .010 X.X° = 1°

NEW AGE ENCLOSURES

Customer's Part No: 261707

APPROVAL BY DATE

CHECK

ENG.

SCALE AS NOTED

DRAWN BY M BOYER

17-May-13

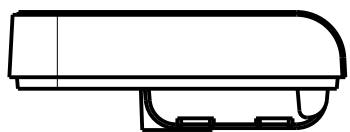
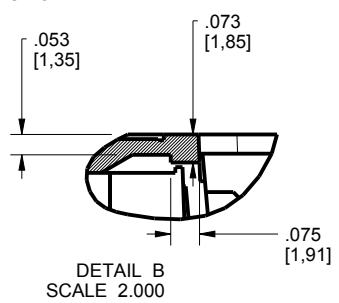
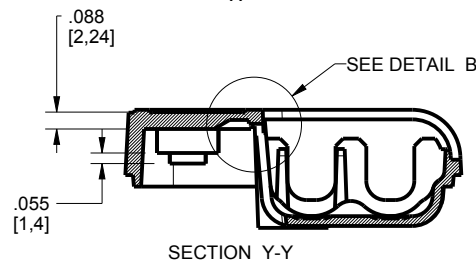
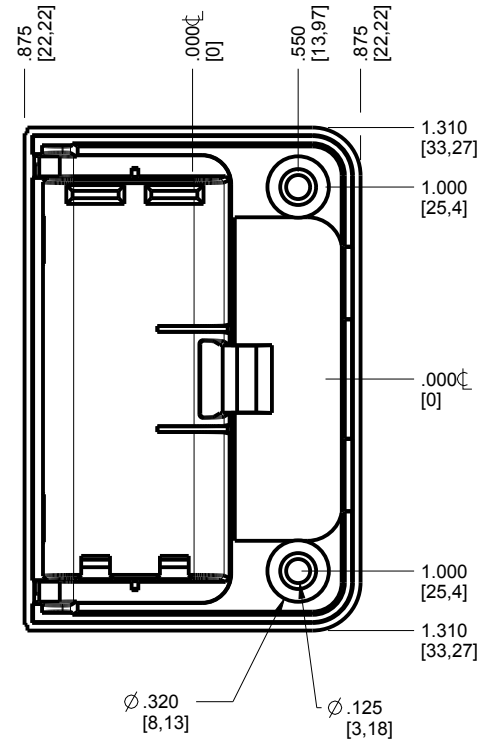
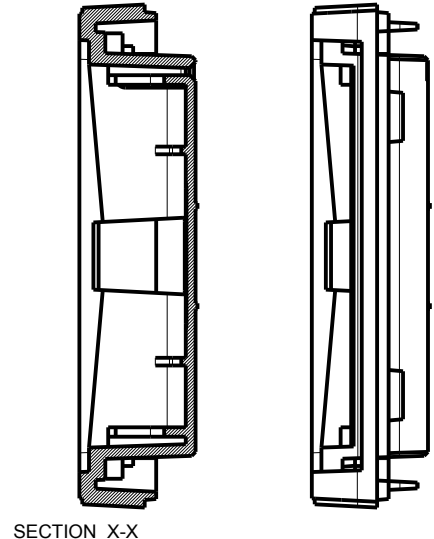
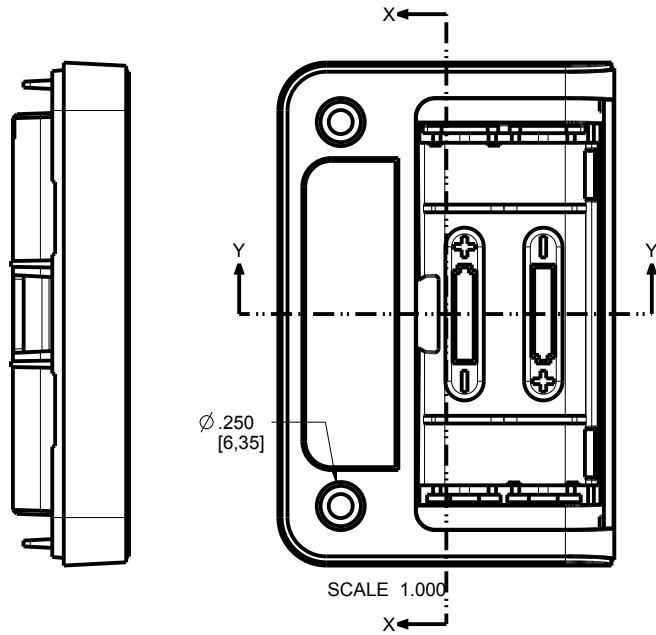
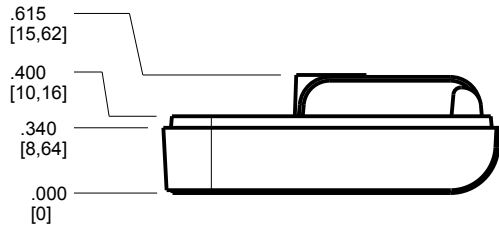
NEW AGE ENCLOSURES
 4330 Santa Fe Road San Luis Obispo, CA. 93401
 ph. (805) 595-1310 fax (805) 595-1024
www.newageenclosures.com

STANDARD - AAA FOB
 SXX-261707-XXX

SIZE DRAWING NAME
 A 261707_R1_0

SHEET REV.DOC
 3 OF 8 1.0

261707 BASE



TOLERANCES: UNLESS OTHERWISE SPECIFIED
DIMENSIONS ARE IN U.S. INCHES.
X.XX = .015 X.XXXX = .001
X.XXX = .010 X.X° = 1°

NEW AGE ENCLOSURES
Customer's Part No: 261707

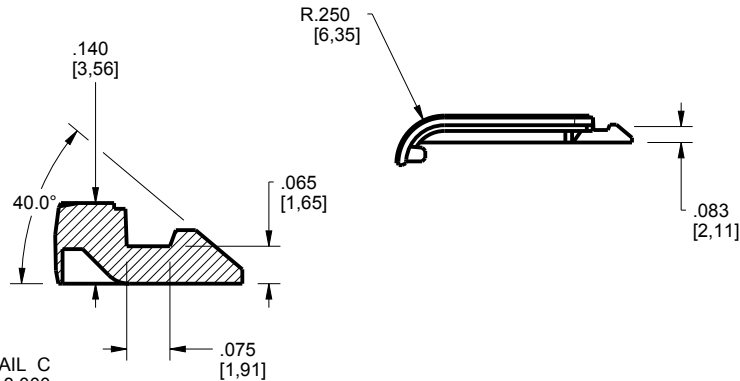
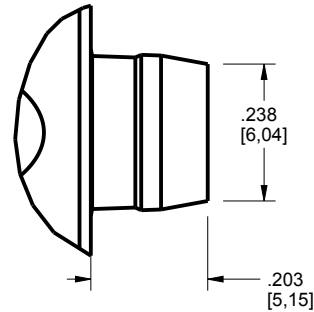
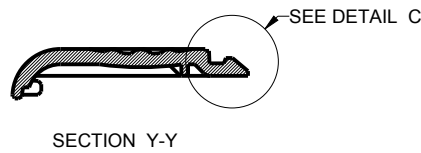
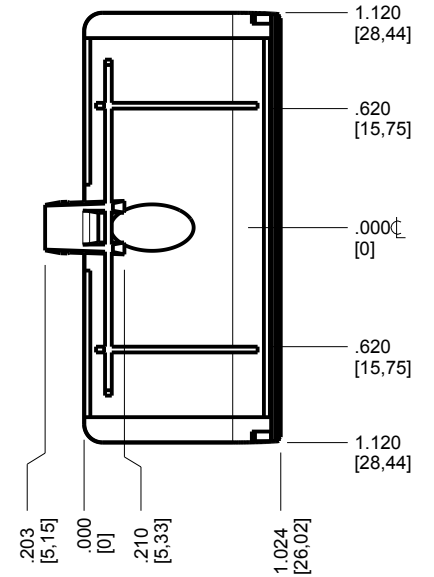
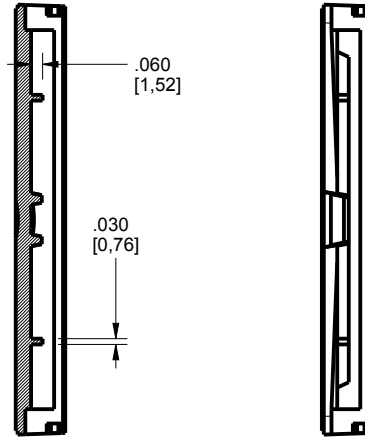
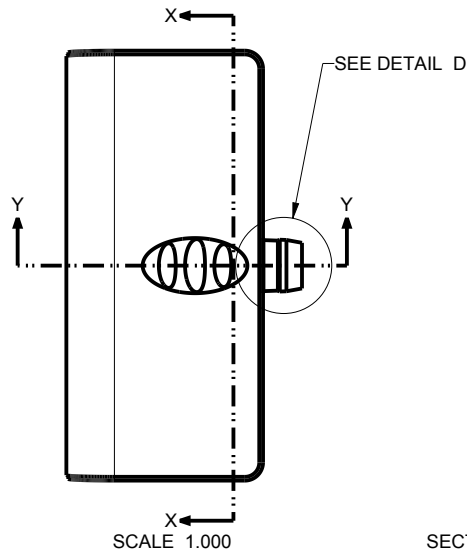
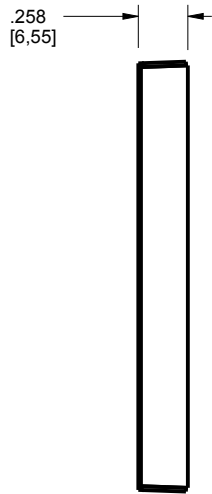
APPROVAL	BY	DATE
CHECK		
ENG.		
SCALE	AS NOTED	
DRAWN BY	M BOYER	
	17-May-13	

NEW AGE ENCLOSURES
4330 Santa Fe Road San Luis Obispo, CA. 93401
ph. (805) 595-1310 fax (805) 595-1024
www.newageenclosures.com

STANDARD - AAA FOB
SXX-261707-XXX

SIZE	DRAWING NAME	SHEET	REV.DOC
A	261707_R1_0	4 OF 8	1.0

261707 HATCH



TOLERANCES - UNLESS OTHERWISE SPECIFIED
DIMENSIONS ARE IN U.S. INCHES.
X.XX = .015 X.XXXX = .001
X.XXX = .010 X.X° = 1°

NEW AGE ENCLOSURES
Customer's Part No: 261707

APPROVAL	BY	DATE
CHECK		
ENG.		
SCALE	AS NOTED	

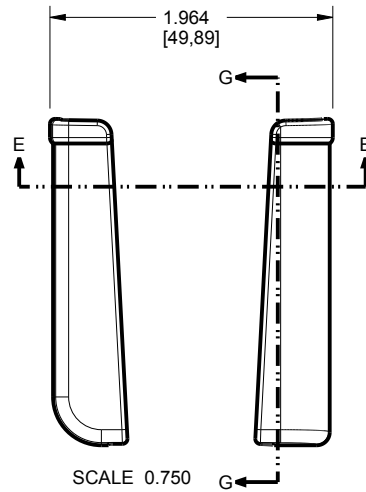
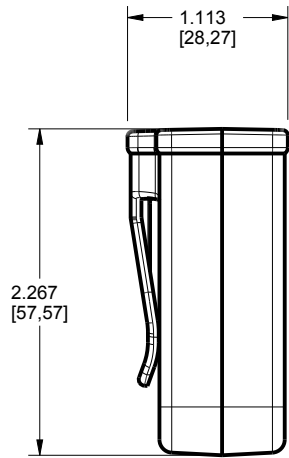
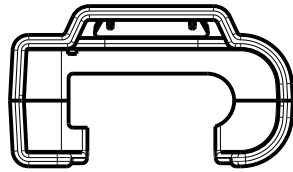
DRAWN BY
M BOYER 17-May-13

NEW AGE ENCLOSURES
4330 Santa Fe Road San Luis Obispo, CA. 93401
ph. (805) 595-1310 fax (805) 595-1024
www.newageenclosures.com

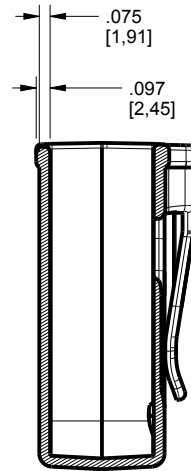
STANDARD - AAA FOB
SXX-261707-XXX

SIZE A DRAWING NAME 261707_R1_0 SHEET 5 OF 8 REV.DOC 1.0

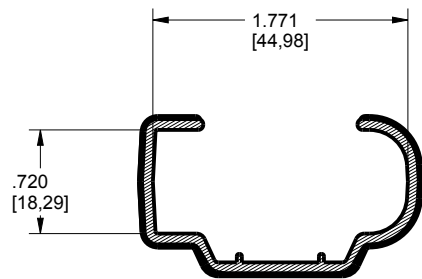
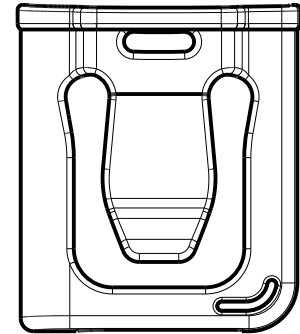
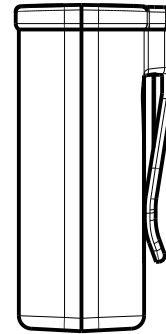
261707 BELT CLIP



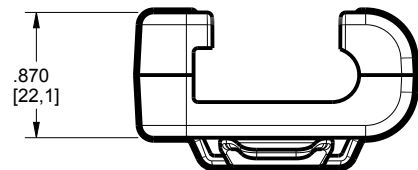
SCALE 0.750



SECTION G-G



SECTION E-E



TOLERANCES: UNLESS OTHERWISE SPECIFIED DIMENSIONS ARE IN U.S. INCHES.	
X.XX = .015 X.XXXX = .001	
X.XXX = .010 X.X° = 1°	
NEW AGE ENCLOSURES	
Customer's Part No: 261707	
APPROVAL	BY DATE
CHECK	
ENG.	
SCALE	AS NOTED
DRAWN BY	
M BOYER	17-May-13

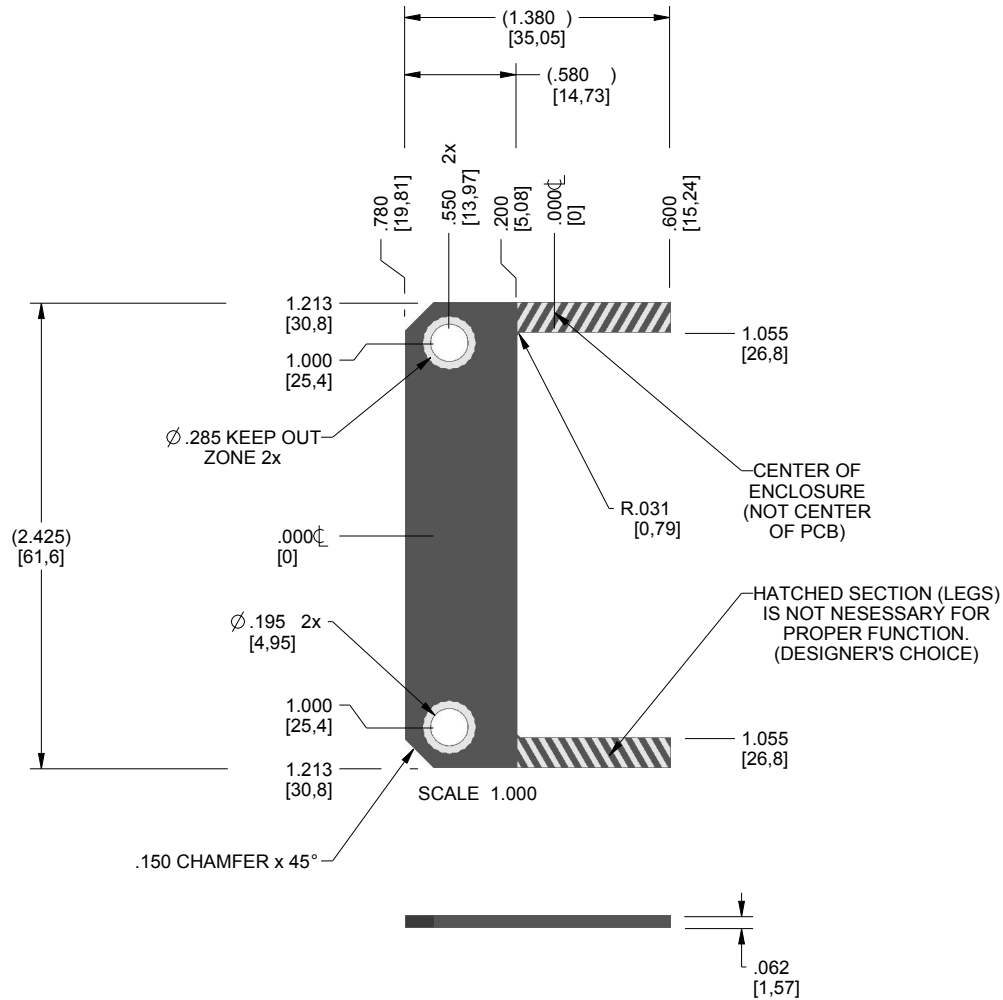
NEW AGE ENCLOSURES
 4330 Santa Fe Road San Luis Obispo, CA. 93401
 ph. (805) 595-1310 fax (805) 595-1024
www.newageenclosures.com

STANDARD - AAA FOB
 SXX-261707-XXX

SIZE	DRAWING NAME	SHEET	REV.DOC
A	261707_R1_0	6 OF 8	1.0

261707 PCB - CUSTOMER SUPPLIED

PCB SIZES ARE RECOMMENDATIONS ONLY. FINAL SIZES AND VERIFICATION OF ITS FIT ARE THE SOLE RESPONSIBILITY OF THE OEM.



TOLERANCES: UNLESS OTHERWISE SPECIFIED
DIMENSIONS ARE IN U.S. INCHES.
X.XX = .015 X.XXXX = .001
X.XXX = .010 X.X° = 1°

NEW AGE ENCLOSURES

Customer's Part No: 261707

APPROVAL BY DATE

CHECK

ENG.

SCALE AS NOTED

DRAWN BY M BOYER 17-May-13

NEW AGE ENCLOSURES

4330 Santa Fe Road San Luis Obispo, CA. 93401
ph. (805) 595-1310 fax (805) 595-1024

www.newageenclosures.com

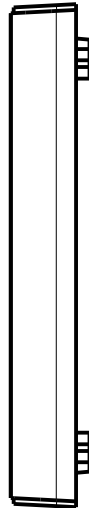
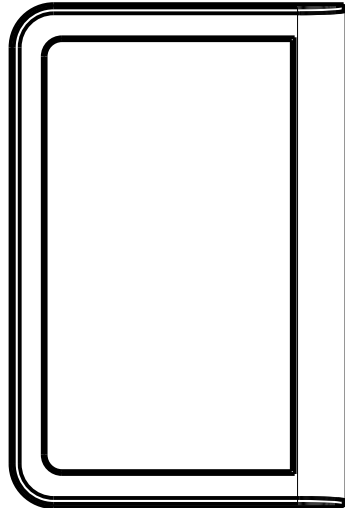
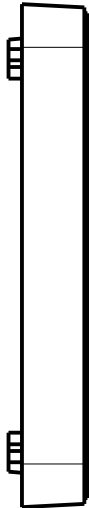
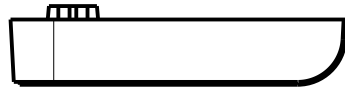
STANDARD - AAA FOB
SXX-261707-XXX

SIZE A DRAWING NAME 261707_R1_0

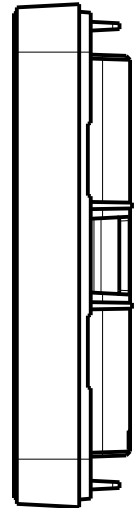
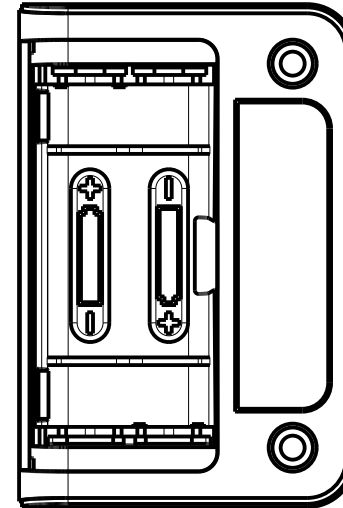
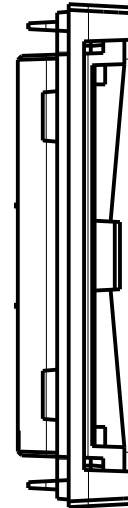
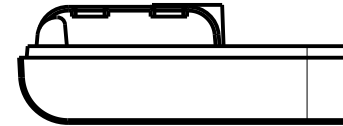
SHEET 7 OF 8 REV.DOC 1.0

261707 2nd OPERATION DETAILS

NEW AGE ENCLOSURES DELIVERS YOUR ENCLOSURE MARKET-READY WITH IN-HOUSE
CNC MACHINING, PAD PRINTING, ASSEMBLY, AND FULFILLMENT.
ALL SURFACES AND AREAS ARE AVAILABLE FOR CNC ALTERATION BY NEW AGE ENCLOSURES
CALL (805) 595-1310 FOR PRICING AND SCHEDULE.
THE INSIDE RADIUS OF ANY MACHINED FEATURES SHOULD BE NO SMALLER THAN .031"



261807 COVER
SCALE 1.000



261807 BASE
SCALE 1.000

SXX-261707-XXX COVER - ABS, BLACK

STEP NO	DESCRIPTION	CUTTER	FIXTURE	ORIENTATION	PROGRAM
1		T2 = .062" EM	-	SINGLE	
2		T2 = .062" EM	-	-	
3		T2 = .062" EM	-	-	

TOLERANCES: UNLESS OTHERWISE SPECIFIED
DIMENSIONS ARE IN U.S. INCHES.
X.XX = .015 X.XXXX = .001
X.XXX = .010 X.X° = 1°

NEW AGE ENCLOSURES

Customer's Part No: 261707

APPROVAL	BY	DATE
CHECK		
ENG.		
SCALE	AS NOTED	
DRAWN BY	M BOYER	
	17-May-13	

NEW AGE ENCLOSURES

4330 Santa Fe Road San Luis Obispo, CA. 93401
ph. (805) 595-1310 fax (805) 595-1024
www.newageenclosures.com

STANDARD - AAA FOB
SXX-261707-XXX

SIZE	DRAWING NAME	SHEET	REV.DOC
A	261707_R1_0	8 OF 8	1.0

Mouser Electronics

Authorized Distributor

Click to View Pricing, Inventory, Delivery & Lifecycle Information:

[New Age Enclosures:](#)

[S1A-261707](#) [3A-261707-BC](#) [1A-261707-BC](#) [S3A-261707](#) [S1A-261707-K](#) [S3A-261707-K](#)

Компания «Life Electronics» занимается поставками электронных компонентов импортного и отечественного производства от производителей и со складов крупных дистрибьюторов Европы, Америки и Азии.

С конца 2013 года компания активно расширяет линейку поставок компонентов по направлению коаксиальный кабель, кварцевые генераторы и конденсаторы (керамические, пленочные, электролитические), за счёт заключения дистрибьюторских договоров

Мы предлагаем:

- Конкурентоспособные цены и скидки постоянным клиентам.
- Специальные условия для постоянных клиентов.
- Подбор аналогов.
- Поставку компонентов в любых объемах, удовлетворяющих вашим потребностям.
- Приемлемые сроки поставки, возможна ускоренная поставка.
- Доставку товара в любую точку России и стран СНГ.
- Комплексную поставку.
- Работу по проектам и поставку образцов.
- Формирование склада под заказчика.
- Сертификаты соответствия на поставляемую продукцию (по желанию клиента).
- Тестирование поставляемой продукции.
- Поставку компонентов, требующих военную и космическую приемку.
- Входной контроль качества.
- Наличие сертификата ISO.

В составе нашей компании организован Конструкторский отдел, призванный помогать разработчикам, и инженерам.

Конструкторский отдел помогает осуществить:

- Регистрацию проекта у производителя компонентов.
- Техническую поддержку проекта.
- Защиту от снятия компонента с производства.
- Оценку стоимости проекта по компонентам.
- Изготовление тестовой платы монтаж и пусконаладочные работы.



Тел: +7 (812) 336 43 04 (многоканальный)
Email: org@lifeelectronics.ru