

SP5T High Isolation Terminated Switch 0.01 - 4.0 GHz

Rev. V1

Features

- Isolation: 51 dB @ 2.1 GHz
- Insertion Loss: 1.0 dB @ 2.1 GHz
- Input IP3: 50 dBm Typical @ 2.1 GHz
- Integral CMOS 3:5 Decoder, Only 3 Control Pins
- Low Gate Lag for timing sensitive applications
- 6 States: 5 ON paths and All-Off State
- 50 Ω Terminated Outputs (Off-State)
- Lead-Free 4 mm 24-Lead PQFN package
- RoHS* Compliant and 260°C Reflow Compatible

Description

The MASW-010351 is an industry leading high isolation single pole five throw (SP5T) switch. This device design is optimized to take advantage of separate GaAs pHEMT switch die and CMOS driver die. The switch circuit design is symmetric and combined with the separate CMOS decoder allows it to maintain an excellent combination of insertion loss and isolation for all states. This makes the device ideal for band switching in multi-channel and multi-mode base-station applications as well as other applications where a compact, high isolation, SP5T switch is required.

The MASW-010351 switch die is fabricated using a mature 0.5 micron gate length GaAs pHEMT process and features full passivation for enhanced performance and reliability.

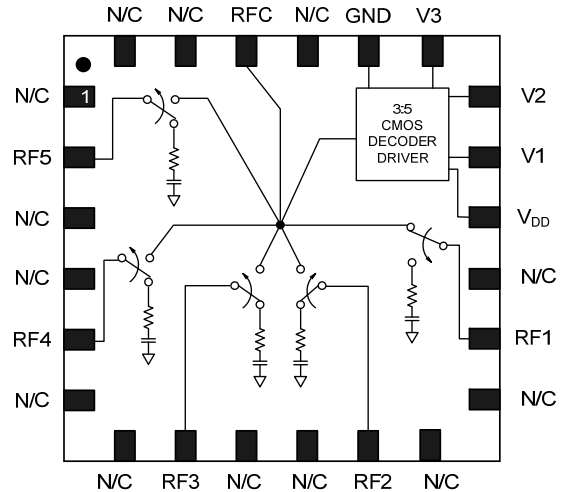
The MASW-010351 is offered in an industry standard lead-free 4mm 24-Lead PQFN RoHS compliant plastic package, which is ideal for high volume surface mount reflow assembly.

Ordering Information ^{1,2}

Part Number	Package
MASW-010351-TR3000	3000 piece reel
MASW-010351-001SMB	Sample Test Board

1. Reference Application Note M513 for reel size information.
2. All sample boards include 5 loose parts.

Functional Schematic



Pin Configuration ^{3,4}

Pin No.	Description	Pin No.	Description
1	No Connection	13	No Connection
2	RF5	14	RF1
3	No Connection	15	No Connection
4	No Connection	16	V _{DD}
5	RF4	17	V1 Control
6	No Connection	18	V2 Control
7	No Connection	19	V3 Control
8	RF3	20	Ground
9	No Connection	21	No Connection
10	No Connection	22	RFC
11	RF2	23	No Connection
12	No Connection	24	No Connection
		25	Ground (paddle)

3. M/A-COM Technology Solutions recommends connecting all N/C pins to RF and DC ground in the PCB layout.
4. The exposed pad centered on the package bottom (P25) MUST be connected to RF and DC ground in the PCB layout.

*Restrictions on Hazardous Substances, European Union Directive 2002/95/EC.

SP5T High Isolation Terminated Switch 0.01 - 4.0 GHz

Rev. V1

Electrical Specifications ⁵: $T_A = +25^\circ\text{C}$, $Z_0 = 50 \Omega$, $V_{DD} = +3.0\text{V}$, $V_C = 0\text{V} / +3.0\text{V}$

Parameter	Test Conditions	Units	Min.	Typ.	Max.
Insertion Loss (All Paths)	0.9 GHz	dB	—	0.8	—
	2.1 GHz			1.0	1.2
	2.6 GHz			1.6	—
	4.0 GHz			1.9	—
Isolation	RFC-RF1, 2.1 GHz	dB	55	60	—
	RFC-RF2, 2.1 GHz		52	55	
	RFC-RF3, 2.1 GHz		51	54	
	RFC-RF4, 2.1 GHz		48	51	
	RFC-RF5, 2.1 GHz		48	51	
Return Loss (All RF ports)	2.1 GHz	dB	—	14	—
Input IP3	Two Tone, +10 dBm/tone, 5 MHz Spacing, 2.1 GHz	dBm	—	50	—
Input P1dB	2.1 GHz	dBm	—	27	—
Trise, Tfall	10% to 90% RF, 90% to 10% RF, RF=2.1GHz	ns	—	20	—
Ton, Toff	50% control to 90% RF, and 50% control to 10% RF, RF=2.1GHz	ns	—	40	—
I_{DD}	$V_{DD} = +3.0\text{V}$	μA	—	1.0	—
Control Current	$V_C = 0\text{V} / +3.0\text{V}$	μA	—	1.0	5.0

5. External DC blocking capacitors are required on all RF ports. Typical performance specifications are with 1000 pF blocking and decoupling capacitors, as shown on the application schematic.

Absolute Maximum Ratings ^{6,7}

Parameter	Absolute Maximum
Input Power (RFC Port, ON state)	+20 dBm (0.05 - 0.5 GHz) +30 dBm (0.5 - 4.0 GHz)
V_{DD} Supply	-0.5 V to +7.0 V
Control Voltage	-0.5 V < V_C < $V_{DD} + 0.5$ V (V_C not to exceed 7.0 V)
Operating Temperature	-40°C to +85°C
Storage Temperature	-65°C to +150°C

6. Exceeding any one or combination of these limits may cause permanent damage to this device.

7. M/A-COM Technology Solutions does not recommend sustained operation near these survivability limits.

Truth Table ⁸

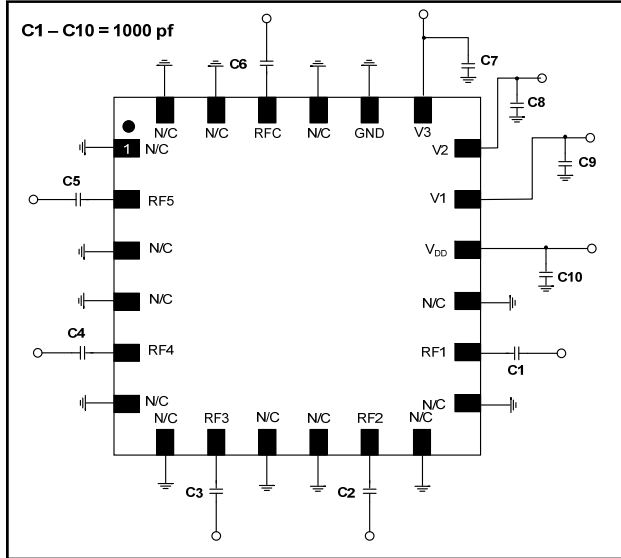
V1	V2	V3	RFC-RF1	RFC-RF2	RFC-RF3	RFC-RF4	RFC-RF5
0	0	0	Unsupported				
1	0	0	On	Off	Off	Off	Off
0	1	0	Off	On	Off	Off	Off
1	1	0	Off	Off	On	Off	Off
0	0	1	Off	Off	Off	On	Off
1	0	1	Off	Off	Off	Off	On
0	1	1	Off	Off	Off	Off	Off
1	1	1	Off	Off	Off	Off	Off

8. Positive Control: 1 = $0.7 \cdot V_{DD}$ to V_{DD}
0 = 0 V to $0.3 \cdot V_{DD}$

SP5T High Isolation Terminated Switch 0.01 - 4.0 GHz

Rev. V1

Application Schematic^{9,10,11}



9. The exposed pad centered on the package bottom must be connected to ground for RF, DC and thermal considerations.
10. All blocking capacitors and decoupling capacitors = 1000 pF
11. M/A-COM Technology Solutions recommends connecting all N/C pins to RF and DC ground in the PCB layout as shown.

Handling Procedures

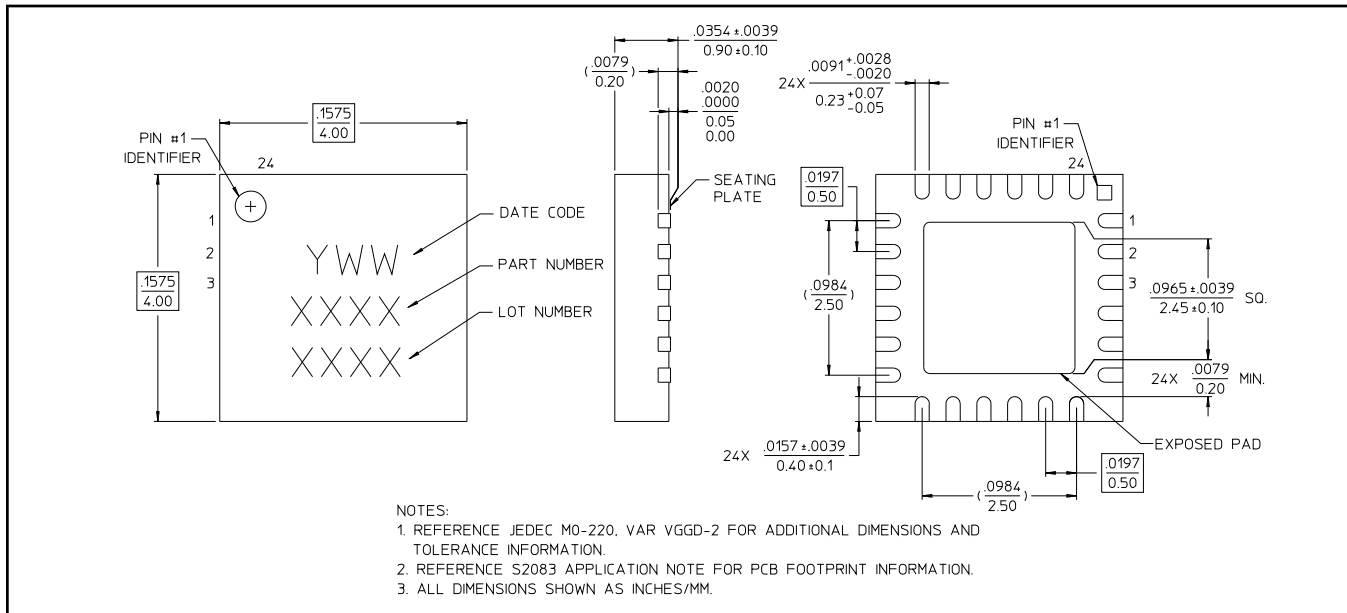
Please observe the following precautions to avoid damage:

Static Sensitivity

Gallium Arsenide Integrated Circuits are sensitive to electrostatic discharge (ESD) and can be damaged by static electricity. Proper ESD control techniques should be used when handling these devices. An external protection circuit using ESD/Transient protection devices on the RF ports can be used to protect the IC if required in application.

Please reference application note AN3007 on <http://www.macomtech.com> for further detail.

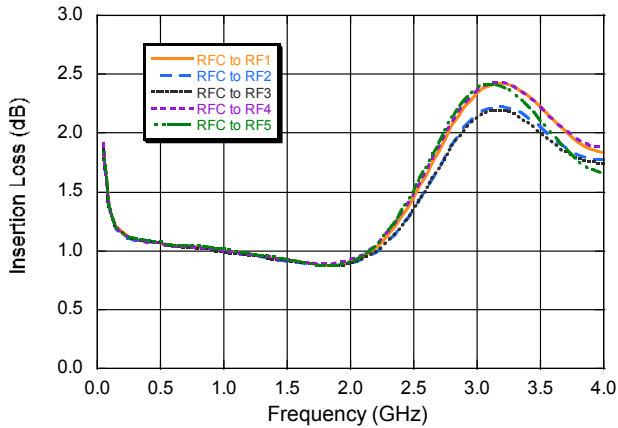
Lead-Free 4 mm 24-Lead PQFN[†]



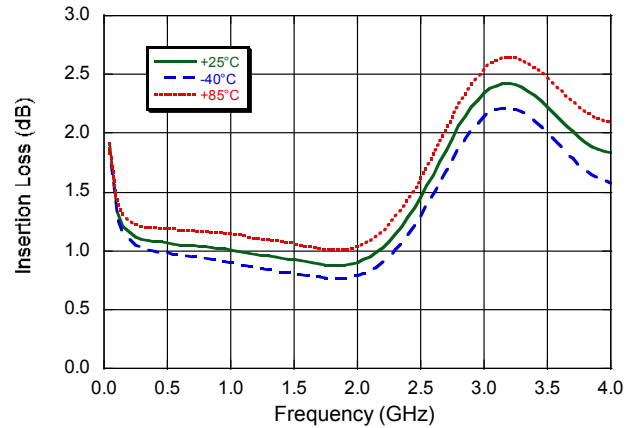
[†] Reference Application Note S2083 for lead-free solder reflow recommendations. Meets JEDEC moisture sensitivity level 1 requirements. Plating is 100% matte tin over copper.

Typical Performance Curves:

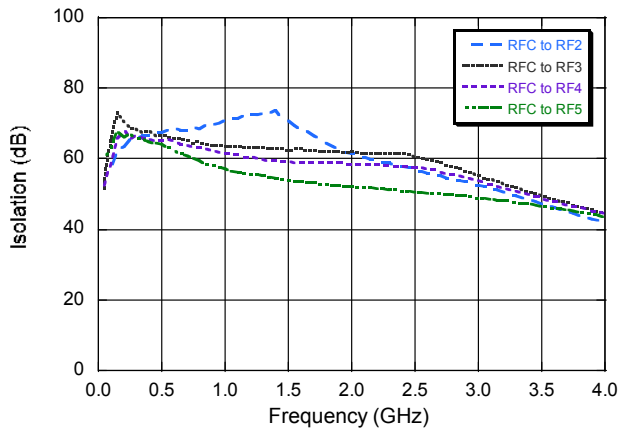
Insertion Loss



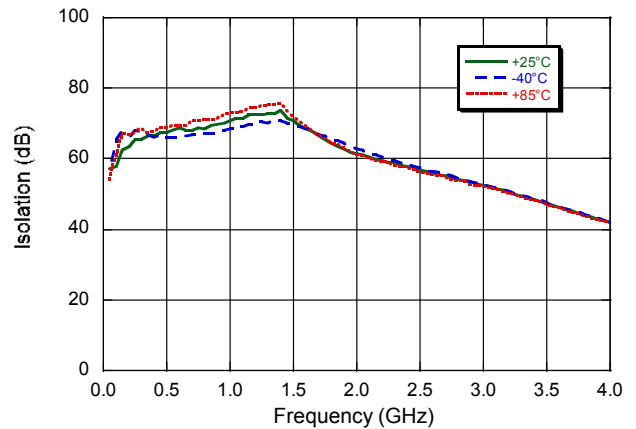
Insertion Loss



Isolation



Isolation RFC - RF1



Компания «Life Electronics» занимается поставками электронных компонентов импортного и отечественного производства от производителей и со складов крупных дистрибьюторов Европы, Америки и Азии.

С конца 2013 года компания активно расширяет линейку поставок компонентов по направлению коаксиальный кабель, кварцевые генераторы и конденсаторы (керамические, пленочные, электролитические), за счёт заключения дистрибьюторских договоров

Мы предлагаем:

- Конкурентоспособные цены и скидки постоянным клиентам.
- Специальные условия для постоянных клиентов.
- Подбор аналогов.
- Поставку компонентов в любых объемах, удовлетворяющих вашим потребностям.
- Приемлемые сроки поставки, возможна ускоренная поставка.
- Доставку товара в любую точку России и стран СНГ.
- Комплексную поставку.
- Работу по проектам и поставку образцов.
- Формирование склада под заказчика.
- Сертификаты соответствия на поставляемую продукцию (по желанию клиента).
- Тестирование поставляемой продукции.
- Поставку компонентов, требующих военную и космическую приемку.
- Входной контроль качества.
- Наличие сертификата ISO.

В составе нашей компании организован Конструкторский отдел, призванный помогать разработчикам, и инженерам.

Конструкторский отдел помогает осуществить:

- Регистрацию проекта у производителя компонентов.
- Техническую поддержку проекта.
- Защиту от снятия компонента с производства.
- Оценку стоимости проекта по компонентам.
- Изготовление тестовой платы монтаж и пусконаладочные работы.



Тел: +7 (812) 336 43 04 (многоканальный)

Email: org@lifeelectronics.ru