

# Goldmax, 300 Series, Conformally Coated, X7R Dielectric, 25 – 250 VDC (Commercial Grade)

## Overview

KEMET's Goldmax conformally coated radial leaded ceramic capacitors in X7R dielectric feature a 125°C maximum operating temperature. The Electronics Industries Alliance (EIA) characterizes X7R dielectric as a Class II "temperature stable" material. Components of this classification are fixed, ceramic dielectric capacitors suited for bypass and decoupling applications or for frequency discriminating circuits where Q and stability of capacitance characteristics are not critical. X7R exhibits a

predictable change in capacitance with respect to time and voltage and boasts a minimal change in capacitance with reference to ambient temperature. Capacitance change is limited to  $\pm 15\%$  from -55°C to +125°C.

These devices meet the flame test requirements outlined in UL Standard 94V-0.

## Benefits

- Radial leaded form factor
- Conformally coated
- 0.100", 0.200", 0.250" and 0.400" lead spacing
- -55°C to +125°C operating temperature range
- Lead (Pb)-Free, RoHS and REACH compliant
- X7R temperature stable dielectric



## Ordering Information

| C       | 320        |     |     | C                        | 106  | K   | 3   | R          | 5                 | T   | A               | 7301  |
|---------|------------|-----|-----|--------------------------|--|---|---|------------|-------------------|---|-----------------|---|
| Ceramic | Style/Size |     |     | Specification/<br>Series | Capacitance<br>Code (pF)   | Capacitance<br>Tolerance <sup>1</sup>             | Rated Voltage<br>(VDC)                            | Dielectric | Design            | Lead<br>Finish <sup>2</sup>                 | Failure<br>Rate | Packaging<br>(C-Spec) <sup>3</sup>  |
|         | 315        | 324 | 335 | C = Standard             | First two digits represent significant figures. Third digit specifies number of zeros. | J = $\pm 5\%$<br>K = $\pm 10\%$<br>M = $\pm 20\%$ | 3 = 25<br>5 = 50<br>1 = 100<br>2 = 200<br>A = 250 | R = X7R    | 5 =<br>Multilayer | T = 100%<br>Matte Sn<br>H = SnPb<br>(60/40) | A = N/A         | Blank = Bulk<br>7301 = 12" Reel<br>7303 = 12" Reel<br>7293 = Ammo<br>Pack |
|         | 316        | 325 | 336 |                          |  |   |   |            |                   |   |                 |   |
|         | 317        | 326 | 340 |                          |  |   |   |            |                   |   |                 |   |
|         | 318        | 327 | 346 |                          |  |   |   |            |                   |   |                 |   |
|         | 320        | 328 | 350 |                          |  |   |   |            |                   |   |                 |   |
|         | 321        | 330 | 356 |                          |  |   |   |            |                   |   |                 |   |
|         | 322        | 331 |     |                          |  |   |   |            |                   |   |                 |   |
|         | 323        | 333 |     |                          |  |   |   |            |                   |   |                 |   |

<sup>1</sup> Additional capacitance tolerance offerings may be available. Contact KEMET for details.

<sup>2</sup> Lead materials:

Standard: 100% matte tin (Sn) with nickel (Ni) underplate and steel core ("T" designation).

Alternative 1: 60% tin (Sn)/40% lead (Pb) finish with copper-clad steel core ("H" designation).

Alternative 2: 60% tin (Sn)/40% lead (Pb) finish with 100% copper core (available with "H" designation code with C-Spec). Contact KEMET for C-Spec details.

<sup>3</sup> Tape and Reel:

C-Spec 7303: 18.0 mm minimum lead length. Not available for Size/Style C321 and C331.

C-Spec 7301: 16.0  $\pm$  0.5 mm lead length. Not available for Size/Style C321 and C331.

Ammo Pack:

C-Spec 7293: Ammo Pack option is not available for Size/Style C321, C331, C350 and C356.

For more information see Tape & Reel Packaging Information

## Dimensions – Inches (Millimeters)



\* May be supplied in a "Shoulder Bend" or "Straight" Lead configuration. Please see Capacitance Range Waterfall section of this document to determine lead configuration availability by capacitance value.

| Series | Style/Size | S Lead Spacing Nominal | L Length Maximum | H Height Maximum | T Thickness Maximum <sup>1</sup> | F Lead Diameter Nominal | LL Lead Length Minimum |              |              |
|--------|------------|------------------------|------------------|------------------|----------------------------------|-------------------------|------------------------|--------------|--------------|
| C31X   | 315        | 0.100 (2.54)           | 0.150 (3.81)     | 0.120 (3.14)     | 0.100 (2.54)                     | 0.020 (0.51)            | 0.276 (7.00)           |              |              |
|        | 316        |                        | 0.150 (3.81)     | 0.200 (5.08)     | 0.100 (2.54)                     |                         | 0.200 (5.08)           |              |              |
| C32X   | 324        |                        | 0.200 (5.08)     | 0.200 (5.08)     | 0.230 (5.84)                     |                         | 0.125 (3.18)1          | 0.276 (7.00) |              |
|        | 320        |                        | 0.200 (5.08)     | 0.200 (5.08)     | 0.230 (5.84)                     |                         | 0.125 (3.18)1          | 0.276 (7.00) |              |
| C32X   | 326        | 0.200 (5.08)           | 0.200 (5.08)     | 0.300 (7.62)     | 0.125 (3.18)1                    |                         | 0.200 (5.08)           |              |              |
|        | 327        | 0.200 (5.08)           | 0.200 (5.08)     | 0.320 (8.13)     | 0.125 (3.18)1                    |                         | 0.200 (5.08)           |              |              |
| C31X   | 317        | 0.200 (5.08)           | 0.150 (3.81)     | 0.200 (5.08)     | 0.100 (2.54)                     |                         | 0.020 (0.51)           | 0.276 (7.00) |              |
|        | 318        |                        | 0.150 (3.81)     | 0.235 (5.97)     | 0.100 (2.54)                     |                         |                        | 0.276 (7.00) |              |
| C32X   | 321        | 0.200 (5.08)           | 0.200 (5.08)     | 0.230 (5.84)     | 0.125 (3.18)1                    |                         |                        | 0.020 (0.51) | 0.276 (7.00) |
|        | 322        |                        | 0.200 (5.08)     | 0.230 (5.84)     | 0.125 (3.18)1                    |                         |                        |              | 0.276 (7.00) |
|        | 323        |                        | 0.200 (5.08)     | 0.300 (7.62)     | 0.125 (3.18)1                    | 0.276 (7.00)            |                        |              |              |
|        | 325        |                        | 0.200 (5.08)     | 0.300 (7.62)     | 0.125 (3.18)1                    | 0.276 (7.00)            |                        |              |              |
|        | 328        |                        | 0.200 (5.08)     | 0.300 (7.62)     | 0.125 (3.18)1                    | 0.276 (7.00)            |                        |              |              |
|        | 327        |                        | 0.200 (5.08)     | 0.320 (8.13)     | 0.125 (3.18)1                    | 0.200 (5.08)            |                        |              |              |
| C33X   | 330        | 0.250 (6.35)           | 0.280 (7.11)     | 0.360 (9.14)     | 0.160 (4.07)                     | 0.025 (0.64)            |                        | 0.276 (7.00) |              |
|        | 331        |                        | 0.280 (7.11)     | 0.360 (9.14)     | 0.160 (4.07)                     |                         |                        | 0.276 (7.00) |              |
|        | 333        |                        | 0.280 (7.11)     | 0.400 (10.16)    | 0.160 (4.07)                     |                         | 0.276 (7.00)           |              |              |
|        | 335        |                        | 0.280 (7.11)     | 0.400 (10.16)    | 0.160 (4.07)                     |                         | 0.276 (7.00)           |              |              |
| C34X   | 340        | 0.200 (5.08)           | 0.280 (7.11)     | 0.400 (10.16)    | 0.160 (4.07)                     |                         | 0.025 (0.64)           | 0.200 (5.08) |              |
|        | 346        |                        | 0.280 (7.11)     | 0.400 (10.16)    | 0.160 (4.07)                     |                         |                        | 0.200 (5.08) |              |
| C34X   | 340        | 0.290 (7.36)           | 0.290 (7.36)     | 0.320 (8.13)     | 0.160 (4.07)                     |                         | 0.025 (0.64)           | 0.276 (7.00) |              |
|        | 346        |                        | 0.290 (7.36)     | 0.400 (10.16)    | 0.160 (4.07)                     |                         |                        | 0.200 (5.08) |              |
| C35X   | 350        | 0.400 (10.16)          | 0.330 (8.38)     | 0.320 (8.13)     | 0.200 (5.08)                     |                         | 0.025 (0.64)           | 0.276 (7.00) |              |
|        | 356        |                        | 0.330 (8.38)     | 0.400 (10.16)    | 0.200 (5.08)                     |                         |                        | 0.200 (5.08) |              |

<sup>1</sup>Thickness maximum (T) = 0.160" (4.07 mm) for capacitance values greater than or equal to 4.7 μF

## Benefits cont'd

- DC voltage ratings of 25 V, 50 V, 100 V, 200 V and 250 V
- Capacitance offerings ranging from 100 pF to 10  $\mu$ F
- Available capacitance Tolerances of  $\pm 5\%$ ,  $\pm 10\%$  and  $\pm 20\%$
- High temperature solder lead attach
- Non-polar device, minimizing installation concerns
- 100% pure matte tin-plated lead finish allowing for excellent solderability
- SnPb-plated lead finish option available upon request (Sn60/Pb40)
- Encapsulation meets flammability standard UL 94V-0

## Applications

Typical applications include decoupling, bypass, filtering and transient voltage suppression.

## Application Notes

These devices are not recommended for use in overmold applications and/or processes.

## Qualification/Certification

Commercial Grade products are subject to internal qualification. Details regarding test methods and conditions are referenced in Table 2, Performance & Reliability.

## Environmental Compliance

Lead (Pb)-Free, REACH and RoHS compliant without exemptions when ordered with a 100% tin (Sn) wire lead finish. Product ordered with tin/ lead (Sn60/Pb40) wire lead finish do not meet RoHS criteria.

| Series     | Termination Finish (Wire Lead) | RoHS Compliant | RoHS Exemption Code | REACH Compliant <sup>1</sup> | Halogen Free |
|------------|--------------------------------|----------------|---------------------|------------------------------|--------------|
| 300 (C3XX) | 100% Matte Sn                  | Yes            | n/a                 | Yes                          | Yes          |
|            | Sn60/Pb40                      | No             | n/a                 | Yes                          | Yes          |

<sup>1</sup> REACH compliance indicates product does not contain Substance/s of Very High Concern (SVHC)

## Electrical Parameters/Characteristics

| Item   | Parameters/Characteristics  |
|--|---|
| Operating Temperature Range  | -55°C to +125°C   |
| Capacitance Change with Reference to +25°C and 0 VDC Applied (TCC) | ±15%  |
| Aging Rate (Maximum % Cap Loss/Decade Hour)                        | 3.0%  |
| Dielectric Withstanding Voltage                                    | 250% of rated voltage<br>(5 ±1 second and charge/discharge not exceeding 50 mA at 25°C)     |
| Dissipation Factor (DF) Maximum Limit at 25°C                      | See Dissipation Factor Limit Table  |
| Insulation Resistance (IR) Limit at 25°C                           | See Insulation Resistance Limit Table<br>(Rated voltage applied for 120 ±5 seconds at 25°C) |

Regarding Aging Rate: Capacitance measurements (including tolerance) are indexed to a referee time of 48 or 1,000 Hours. Please refer to a part number specific datasheet for referee time details.

To obtain IR limit, divide  $M\Omega\text{-}\mu\text{F}$  value by the capacitance and compare to  $G\Omega$  limit. Select the lower of the two limits.

Capacitance and dissipation factor (DF) measured under the following conditions:

$$1 \text{ kHz } \pm 50 \text{ Hz and } 1.0 \pm 0.2 V_{rms}$$

Note: When measuring capacitance it is important to ensure the set voltage level is held constant. The HP4284 and Agilent E4980 have a feature known as Automatic Level Control (ALC). The ALC feature should be switched to "ON."

## Insulation Resistance Limit Table

| Style/Size | 1,000 megohm microfarads<br>or 100GΩ | 500 megohm microfarads<br>or 10GΩ |
|------------|--------------------------------------|-----------------------------------|
| C31X       | ≤ 0.1 μF                             | ≥ 0.12 μF                         |
| C32X       | ≤ 0.39 μF                            | ≥ 0.47 μF                         |
| C33X       | ≤ 1.8 μF                             | ≥ 2.2 μF                          |
| C34X       | ≤ 1.0 μF                             | ≥ 1.2 μF                          |
| C35X       | < 2.2 μF                             | ≥ 2.7 μF                          |

## Post Environmental Limits

| High Temperature Life, Biased Humidity and Storage Life |                  |                    |                                |                   |                       |
|---|------------------|--------------------|--------------------------------|-------------------|-----------------------|
| Style/Size  | Rated DC Voltage | Capacitance Value  | Dissipation Factor (Maximum %) | Capacitance Shift | Insulation Resistance |
| C31X  | 25               | All                | 5.0                            | ± 20%             | 10% of Initial Limit  |
|   | > 25             |                    | 3.0                            |                   |                       |
| C32X, C33X, C34X  | 25               | < 2.2 $\mu$ F      | 5.0                            |                   |                       |
|   | > 25             | < 2.2 $\mu$ F      | 3.0                            |                   |                       |
|   | 25/50            | $\geq$ 2.2 $\mu$ F | 20.0                           |                   |                       |
| C35X  | 25               | All                | 5.0                            |                   |                       |
|   | > 25             |                    | 3.0                            |                   |                       |

## Dissipation Factor (DF) Limit Table

| Style/Size       | Rated DC Voltage | Rated Capacitance  | Dissipation Factor (Maximum %) |
|------------------|------------------|--------------------|--------------------------------|
| C31X             | 25               | All                | 3.5                            |
|                  | > 25             |                    | 2.5                            |
| C32X, C33X, C34X | 25               | < 2.2 $\mu$ F      | 3.5                            |
|                  | > 25             | < 2.2 $\mu$ F      | 2.5                            |
|                  | 25/50            | $\geq$ 2.2 $\mu$ F | 10.0                           |
| C35X             | 25               | All                | 3.5                            |
|                  | > 25             |                    | 2.5                            |

Table 1A – C31X Style/Size, Capacitance Range Waterfall

| C315, C316, C317, C318 Style/Size (0.100" and 0.200" Lead Spacing) |                                 |  |     |     |     |     |
|--|---------------------------------|--|-----|-----|-----|-----|
| Rated Voltage (VDC)  |                                 | 25                                       | 50  | 100 | 200 | 250 |
| Voltage Code   |                                 | 3  | 5   | 1   | 2   | A   |
| Capacitance  | Capacitance Tolerance           | Capacitance Code (Available Capacitance) |     |     |     |     |
| 100pF  | J = ±5%<br>K = ±10%<br>M = ±20% | 101                                      | 101 | 101 | 101 | 101 |
| 120pF  |                                 | 121                                      | 121 | 121 | 121 | 121 |
| 150pF  |                                 | 151                                      | 151 | 151 | 151 | 151 |
| 180pF  |                                 | 181                                      | 181 | 181 | 181 | 181 |
| 220pF  |                                 | 221                                      | 221 | 221 | 221 | 221 |
| 270pF  |                                 | 271                                      | 271 | 271 | 271 | 271 |
| 330pF  |                                 | 331                                      | 331 | 331 | 331 | 331 |
| 390pF  |                                 | 391                                      | 391 | 391 | 391 | 391 |
| 470pF  |                                 | 471                                      | 471 | 471 | 471 | 471 |
| 560pF  |                                 | 561                                      | 561 | 561 | 561 | 561 |
| 680pF  |                                 | 681                                      | 681 | 681 | 681 | 681 |
| 820pF  |                                 | 821                                      | 821 | 821 | 821 | 821 |
| 1000pF   |                                 | 102                                      | 102 | 102 | 102 | 102 |
| 1200pF   |                                 | 122                                      | 122 | 122 | 122 | 122 |
| 1500pF   |                                 | 152                                      | 152 | 152 | 152 | 152 |
| 1800pF   |                                 | 182                                      | 182 | 182 | 182 | 182 |
| 2200pF   |                                 | 222                                      | 222 | 222 | 222 | 222 |
| 2700pF   |                                 | 272                                      | 272 | 272 | 272 | 272 |
| 3300pF   |                                 | 332                                      | 332 | 332 | 332 | 332 |
| 3900pF   |                                 | 392                                      | 392 | 392 | 392 | 392 |
| 4700pF   |                                 | 472                                      | 472 | 472 | 472 | 472 |
| 5600pF   |                                 | 562                                      | 562 | 562 | 562 | 562 |
| 6800pF   |                                 | 682                                      | 682 | 682 | 682 | 682 |
| 8200pF   |                                 | 822                                      | 822 | 822 | 822 | 822 |
| 0.01μF   |                                 | 103                                      | 103 | 103 | 103 | 103 |
| 0.012μF  |                                 | 123                                      | 123 | 123 | 123 | 123 |
| 0.015μF  |                                 | 153                                      | 153 | 153 | 153 | 153 |
| 0.018μF  |                                 | 183                                      | 183 | 183 | 183 | 183 |
| 0.022μF  |                                 | 223                                      | 223 | 223 | 223 | 223 |
| 0.027μF  |                                 | 273                                      | 273 | 273 | 273 | 273 |
| 0.033μF  |                                 | 333                                      | 333 | 333 | 333 | 333 |
| 0.039μF  |                                 | 393                                      | 393 | 393 | 393 | 393 |
| 0.047μF  |                                 | 473                                      | 473 | 473 | 473 | 473 |
| 0.056μF  |                                 | 563                                      | 563 | 563 | 563 | 563 |
| 0.068μF  |                                 | 683                                      | 683 | 683 | 683 | 683 |
| 0.082μF  |                                 | 823                                      | 823 | 823 |     |     |
| 0.1μF  |                                 | 104                                      | 104 | 104 |     |     |
| 0.12μF   |                                 | 124                                      | 124 | 124 |     |     |
| 0.15μF   |                                 | 154                                      | 154 | 154 |     |     |
| 0.18μF   |                                 | 184                                      | 184 | 184 |     |     |
| 0.22μF   |                                 | 224                                      | 224 | 224 |     |     |
| 0.27μF   |                                 | 274                                      | 274 |     |     |     |
| 0.33μF   |                                 | 334                                      | 334 |     |     |     |
| 0.39μF   |                                 | 394                                      | 394 |     |     |     |
| 0.47μF   |                                 | 474                                      | 474 |     |     |     |
| 0.56μF   | 564                             | 564                                      |     |     |     |     |
| 0.68μF   | 684                             | 684                                      |     |     |     |     |
| 0.82μF   | 824                             |  |     |     |     |     |
| 1.0μF  | 105                             |  |     |     |     |     |
| Rated Voltage (VDC)  |                                 | 25                                       | 50  | 100 | 200 | 250 |
| Voltage Code   |                                 | 3  | 5   | 1   | 2   | A   |

Table 1B – C32X Style/Size, Capacitance Range Waterfall

| C320, C322, C323, C326, C328 Style/Size (0.100" and 0.200" Lead Spacing) |                                 |  |     |     |     |     |
|--|---------------------------------|--|-----|-----|-----|-----|
| Rated Voltage (VDC)  |                                 | 25                                       | 50  | 100 | 200 | 250 |
| Voltage Code   |                                 | 3  | 5   | 1   | 2   | A   |
| Capacitance  | Capacitance Tolerance           | Capacitance Code (Available Capacitance) |     |     |     |     |
| 100pF  | J = ±5%<br>K = ±10%<br>M = ±20% | 101                                      | 101 | 101 | 101 | 101 |
| 120pF  |                                 | 121                                      | 121 | 121 | 121 | 121 |
| 150pF  |                                 | 151                                      | 151 | 151 | 151 | 151 |
| 180pF  |                                 | 181                                      | 181 | 181 | 181 | 181 |
| 220pF  |                                 | 221                                      | 221 | 221 | 221 | 221 |
| 270pF  |                                 | 271                                      | 271 | 271 | 271 | 271 |
| 330pF  |                                 | 331                                      | 331 | 331 | 331 | 331 |
| 390pF  |                                 | 391                                      | 391 | 391 | 391 | 391 |
| 470pF  |                                 | 471                                      | 471 | 471 | 471 | 471 |
| 560pF  |                                 | 561                                      | 561 | 561 | 561 | 561 |
| 680pF  |                                 | 681                                      | 681 | 681 | 681 | 681 |
| 820pF  |                                 | 821                                      | 821 | 821 | 821 | 821 |
| 1000pF   |                                 | 102                                      | 102 | 102 | 102 | 102 |
| 1200pF   |                                 | 122                                      | 122 | 122 | 122 | 122 |
| 1500pF   |                                 | 152                                      | 152 | 152 | 152 | 152 |
| 1800pF   |                                 | 182                                      | 182 | 182 | 182 | 182 |
| 2200pF   |                                 | 222                                      | 222 | 222 | 222 | 222 |
| 2700pF   |                                 | 272                                      | 272 | 272 | 272 | 272 |
| 3300pF   |                                 | 332                                      | 332 | 332 | 332 | 332 |
| 3900pF   |                                 | 392                                      | 392 | 392 | 392 | 392 |
| 4700pF   |                                 | 472                                      | 472 | 472 | 472 | 472 |
| 5600pF   |                                 | 562                                      | 562 | 562 | 562 | 562 |
| 6800pF   |                                 | 682                                      | 682 | 682 | 682 | 682 |
| 8200pF   |                                 | 822                                      | 822 | 822 | 822 | 822 |
| 0.01µF   |                                 | 103                                      | 103 | 103 | 103 | 103 |
| 0.012µF  |                                 | 123                                      | 123 | 123 | 123 | 123 |
| 0.015µF  |                                 | 153                                      | 153 | 153 | 153 | 153 |
| 0.018µF  |                                 | 183                                      | 183 | 183 | 183 | 183 |
| 0.022µF  |                                 | 223                                      | 223 | 223 | 223 | 223 |
| 0.027µF  |                                 | 273                                      | 273 | 273 | 273 | 273 |
| 0.033µF  |                                 | 333                                      | 333 | 333 | 333 | 333 |
| 0.039µF  |                                 | 393                                      | 393 | 393 | 393 | 393 |
| 0.047µF  | 473                             | 473                                      | 473 | 473 | 473 |     |
| 0.056µF  | 563                             | 563                                      | 563 | 563 | 563 |     |
| 0.068µF  | 683                             | 683                                      | 683 | 683 | 683 |     |
| 0.082µF  | 823                             | 823                                      | 823 | 823 | 823 |     |
| 0.1µF  | 104                             | 104                                      | 104 | 104 | 104 |     |
| 0.12µF   | 124                             | 124                                      | 124 | 124 | 124 |     |
| 0.15µF   | 154                             | 154                                      | 154 | 154 | 154 |     |
| 0.18µF   | 184                             | 184                                      | 184 |     |     |     |
| 0.22µF   | 224                             | 224                                      | 224 |     |     |     |
| 0.27µF   | 274                             | 274                                      | 274 |     |     |     |
| 0.33µF   | 334                             | 334                                      | 334 |     |     |     |
| 0.39µF   | 394                             | 394                                      | 394 |     |     |     |
| 0.47µF   | 474                             | 474                                      | 474 |     |     |     |
| 0.56µF   | 564                             | 564                                      |     |     |     |     |
| 0.68µF   | 684                             | 684                                      |     |     |     |     |
| 0.82µF   | 824                             | 824                                      |     |     |     |     |
| 1.0µF  | 105                             | 105                                      |     |     |     |     |
| 1.2µF  | 125                             | 125                                      |     |     |     |     |
| 1.5µF  | 155                             | 155                                      |     |     |     |     |
| 1.8µF  | 185                             | 185                                      |     |     |     |     |
| 2.2µF  | 225                             | 225                                      |     |     |     |     |
| Rated Voltage (VDC)  |                                 | 25                                       | 50  | 100 | 200 | 250 |
| Voltage Code   |                                 | 3  | 5   | 1   | 2   | A   |

Table 1B – C32X Style/Size, Capacitance Range Waterfall cont'd

| C320, C322, C323, C326, C328 Style/Size (0.100" and 0.200" Lead Spacing) |                                 |  |                  |     |     |     |
|--|---------------------------------|--|------------------|-----|-----|-----|
| Rated Voltage (VDC)  |                                 | 25                                       | 50               | 100 | 200 | 250 |
| Voltage Code   |                                 | 3  | 5                | 1   | 2   | A   |
| Capacitance  | Capacitance Tolerance           | Capacitance Code (Available Capacitance) |                  |     |     |     |
| 2.7µF  | J = ±5%<br>K = ±10%<br>M = ±20% | 275                                      | 275              |     |     |     |
| 3.3µF  |                                 | 335                                      | 335              |     |     |     |
| 3.9µF  |                                 | 395                                      | 395              |     |     |     |
| 4.7µF  |                                 | 475 <sup>1</sup>                         | 475 <sup>1</sup> |     |     |     |
| 5.6µF  |                                 |  |                  |     |     |     |
| 6.8µF  |                                 |  |                  |     |     |     |
| 10µF   |                                 |  |                  |     |     |     |
| Rated Voltage (VDC)  |                                 | 25                                       | 50               | 100 | 200 | 250 |
| Voltage Code   |                                 | 3  | 5                | 1   | 2   | A   |

<sup>1</sup>Thickness maximum (T) = 0.160" (4.07 mm) for capacitance values greater than or equal to 4.7 µF

Table 1C – C32X Style/Size, Capacitance Range Waterfall

| C321, C324, C325, C327 Style/Size (0.100", 0.200" and 0.250" Lead Spacing) |                                 |  |     |     |     |     |
|--|---------------------------------|--|-----|-----|-----|-----|
| Rated Voltage (VDC)  |                                 | 25                                       | 50  | 100 | 200 | 250 |
| Voltage Code   |                                 | 3  | 5   | 1   | 2   | A   |
| Capacitance  | Capacitance Tolerance           | Capacitance Code (Available Capacitance) |     |     |     |     |
| 100pF  | J = ±5%<br>K = ±10%<br>M = ±20% | 101                                      | 101 | 101 | 101 | 101 |
| 120pF  |                                 | 121                                      | 121 | 121 | 121 | 121 |
| 150pF  |                                 | 151                                      | 151 | 151 | 151 | 151 |
| 180pF  |                                 | 181                                      | 181 | 181 | 181 | 181 |
| 220pF  |                                 | 221                                      | 221 | 221 | 221 | 221 |
| 270pF  |                                 | 271                                      | 271 | 271 | 271 | 271 |
| 330pF  |                                 | 331                                      | 331 | 331 | 331 | 331 |
| 390pF  |                                 | 391                                      | 391 | 391 | 391 | 391 |
| 470pF  |                                 | 471                                      | 471 | 471 | 471 | 471 |
| 560pF  |                                 | 561                                      | 561 | 561 | 561 | 561 |
| 680pF  |                                 | 681                                      | 681 | 681 | 681 | 681 |
| 820pF  |                                 | 821                                      | 821 | 821 | 821 | 821 |
| 1000pF   |                                 | 102                                      | 102 | 102 | 102 | 102 |
| 1200pF   |                                 | 122                                      | 122 | 122 | 122 | 122 |
| 1500pF   |                                 | 152                                      | 152 | 152 | 152 | 152 |
| 1800pF   |                                 | 182                                      | 182 | 182 | 182 | 182 |
| 2200pF   |                                 | 222                                      | 222 | 222 | 222 | 222 |
| 2700pF   |                                 | 272                                      | 272 | 272 | 272 | 272 |
| 3300pF   |                                 | 332                                      | 332 | 332 | 332 | 332 |
| 3900pF   |                                 | 392                                      | 392 | 392 | 392 | 392 |
| 4700pF   |                                 | 472                                      | 472 | 472 | 472 | 472 |
| 5600pF   |                                 | 562                                      | 562 | 562 | 562 | 562 |
| 6800pF   |                                 | 682                                      | 682 | 682 | 682 | 682 |
| 8200pF   |                                 | 822                                      | 822 | 822 | 822 | 822 |
| 0.01µF   |                                 | 103                                      | 103 | 103 | 103 | 103 |
| 0.012µF  |                                 | 123                                      | 123 | 123 | 123 | 123 |
| 0.015µF  |                                 | 153                                      | 153 | 153 | 153 | 153 |
| 0.018µF  |                                 | 183                                      | 183 | 183 | 183 | 183 |
| Rated Voltage (VDC)  |                                 | 25                                       | 50  | 100 | 200 | 250 |
| Voltage Code   |                                 | 3  | 5   | 1   | 2   | A   |



Table 1C – C32X Style/Size, Capacitance Range Waterfall cont'd

| C321, C324, C325, C327 Style/Size (0.100", 0.200" and 0.250" Lead Spacing) |                                 |  |     |     |     |     |
|--|---------------------------------|--|-----|-----|-----|-----|
| Rated Voltage (VDC)  |                                 | 25                                       | 50  | 100 | 200 | 250 |
| Voltage Code   |                                 | 3  | 5   | 1   | 2   | A   |
| Capacitance  | Capacitance Tolerance           | Capacitance Code (Available Capacitance) |     |     |     |     |
| 0.022µF  | J = ±5%<br>K = ±10%<br>M = ±20% | 223                                      | 223 | 223 | 223 | 223 |
| 0.027µF  |                                 | 273                                      | 273 | 273 | 273 | 273 |
| 0.033µF  |                                 | 333                                      | 333 | 333 | 333 | 333 |
| 0.039µF  |                                 | 393                                      | 393 | 393 | 393 | 393 |
| 0.047µF  |                                 | 473                                      | 473 | 473 | 473 | 473 |
| 0.056µF  |                                 | 563                                      | 563 | 563 | 563 | 563 |
| 0.068µF  |                                 | 683                                      | 683 | 683 | 683 | 683 |
| 0.082µF  |                                 | 823                                      | 823 | 823 | 823 | 823 |
| 0.1µF  |                                 | 104                                      | 104 | 104 | 104 | 104 |
| 0.12µF   |                                 | 124                                      | 124 | 124 | 124 | 124 |
| 0.15µF   |                                 | 154                                      | 154 | 154 | 154 | 154 |
| 0.18µF   |                                 | 184                                      | 184 | 184 |     |     |
| 0.22µF   |                                 | 224                                      | 224 | 224 |     |     |
| 0.27µF   |                                 | 274                                      | 274 | 274 |     |     |
| 0.33µF   |                                 | 334                                      | 334 | 334 |     |     |
| 0.39µF   |                                 | 394                                      | 394 | 394 |     |     |
| 0.47µF   |                                 | 474                                      | 474 | 474 |     |     |
| 0.56µF   |                                 | 564                                      | 564 |     |     |     |
| 0.68µF   |                                 | 684                                      | 684 |     |     |     |
| 0.82µF   |                                 | 824                                      | 824 |     |     |     |
| 1.0µF  |                                 | 105                                      | 105 |     |     |     |
| 1.2µF  |                                 | 125                                      | 125 |     |     |     |
| 1.5µF  |                                 | 155                                      | 155 |     |     |     |
| 1.8µF  |                                 | 185                                      | 185 |     |     |     |
| 2.2µF  |                                 | 225                                      | 225 |     |     |     |
| 2.7µF  |                                 | 275                                      | 275 |     |     |     |
| 3.3µF  |                                 | 335                                      | 335 |     |     |     |
| 3.9µF  |                                 | 395                                      | 395 |     |     |     |
| 4.7µF  | 475 <sup>1</sup>                | 475 <sup>1</sup>                         |     |     |     |     |
| 5.6µF  | 565 <sup>1</sup>                |  |     |     |     |     |
| 6.8µF  | 685 <sup>1</sup>                |  |     |     |     |     |
| 10µF   | 106 <sup>1</sup>                |  |     |     | 0   |     |
| Rated Voltage (VDC)  |                                 | 25                                       | 50  | 100 | 200 | 250 |
| Voltage Code   |                                 | 3  | 5   | 1   | 2   | A   |

<sup>1</sup>Thickness maximum (T) = 0.160" (4.07 mm) for capacitance values greater than or equal to 4.7 µF

Table 1D – C33X Style/Size, Capacitance Range Waterfall

| C330, C331, C333, C335, C336 Style/Size (0.200" and 0.250" Lead Spacing) |                                 |  |      |      |      |      |
|--|---------------------------------|--|------|------|------|------|
| Rated Voltage (VDC)  |                                 | 25                                       | 50   | 100  | 200  | 250  |
| Voltage Code   |                                 | 3  | 5    | 1    | 2    | A    |
| Capacitance  | Capacitance Tolerance           | Capacitance Code (Available Capacitance) |      |      |      |      |
| 4700pF   | J = ±5%<br>K = ±10%<br>M = ±20% | 472*                                     | 472* | 472* | 472* | 472* |
| 5600pF   |                                 | 562*                                     | 562* | 562* | 562* | 562* |
| 6800pF   |                                 | 682*                                     | 682* | 682* | 682* | 682* |
| 8200pF   |                                 | 822*                                     | 822* | 822* | 822* | 822* |
| 0.01µF   |                                 | 103*                                     | 103* | 103* | 103* | 103* |
| 0.012µF  |                                 | 123*                                     | 123* | 123* | 123* | 123* |
| 0.015µF  |                                 | 153*                                     | 153* | 153* | 153* | 153* |
| 0.018µF  |                                 | 183*                                     | 183* | 183* | 183* | 183* |
| 0.022µF  |                                 | 223*                                     | 223* | 223* | 223* | 223* |
| 0.027µF  |                                 | 273*                                     | 273* | 273* | 273* | 273* |
| 0.033µF  |                                 | 333*                                     | 333* | 333* | 333* | 333* |
| 0.039µF  |                                 | 393*                                     | 393* | 393* | 393* | 393* |
| 0.047µF  |                                 | 473*                                     | 473* | 473* | 473* | 473* |
| 0.056µF  |                                 | 563*                                     | 563* | 563* | 563* | 563* |
| 0.068µF  |                                 | 683*                                     | 683* | 683* | 683* | 683* |
| 0.082µF  |                                 | 823*                                     | 823* | 823* | 823* | 823* |
| 0.1µF  |                                 | 104*                                     | 104* | 104* | 104* | 104* |
| 0.12µF   |                                 | 124*                                     | 124* | 124* | 124* | 124* |
| 0.15µF   |                                 | 154*                                     | 154* | 154* | 154* | 154* |
| 0.18µF   |                                 | 184*                                     | 184* | 184* | 184  | 184  |
| 0.22µF   |                                 | 224*                                     | 224* | 224* | 224  | 224  |
| 0.27µF   |                                 | 274*                                     | 274* | 274* | 274  | 274  |
| 0.33µF   |                                 | 334*                                     | 334* | 334* | 334  | 334  |
| 0.39µF   |                                 | 394*                                     | 394* | 394* | 394  | 394  |
| 0.47µF   |                                 | 474*                                     | 474* | 474* | 474  | 474  |
| 0.56µF   |                                 | 564*                                     | 564* | 564* | 564  | 564  |
| 0.68µF   |                                 | 684*                                     | 684* | 684* | 684  | 684  |
| 0.82µF   |                                 | 824*                                     | 824* | 824* | 824  | 824  |
| 1.0µF  |                                 | 105*                                     | 105* | 105* | 105  | 105  |
| 1.2µF  |                                 | 125*                                     | 125* | 125  | 125  | 125  |
| 1.5µF  | 155*                            | 155*                                     |      |      |      |      |
| 1.8µF  | 185*                            | 185*                                     |      |      |      |      |
| 2.2µF  | 225*                            | 225*                                     |      |      |      |      |
| Rated Voltage (VDC)  |                                 | 25                                       | 50   | 100  | 200  | 250  |
| Voltage Code   |                                 | 3  | 5    | 1    | 2    | A    |

\* Capacitor is supplied with a "Shoulder-Bend" lead configuration in Style/Size C330 and C331.

Table 1E – C34X Style/Size, Capacitance Range Waterfall

| C340, C346 Style/Size (0.200" Lead Spacing) |                                 |  |      |      |      |      |
|---|---------------------------------|--|------|------|------|------|
| Rated Voltage (VDC)                         |                                 | 25                                       | 50   | 100  | 200  | 250  |
| Voltage Code                                |                                 | 3  | 5    | 1    | 2    | A    |
| Capacitance                                 | Capacitance Tolerance           | Capacitance Code (Available Capacitance) |      |      |      |      |
| 0.068μF                                     | J = ±5%<br>K = ±10%<br>M = ±20% | 683*                                     | 683* | 683* | 683* | 683* |
| 0.082μF                                     |                                 | 823*                                     | 823* | 823* | 823* | 823* |
| 0.1μF                                       |                                 | 104*                                     | 104* | 104* | 104* | 104* |
| 0.12μF                                      |                                 | 124*                                     | 124* | 124* | 124* | 124* |
| 0.15μF                                      |                                 | 154*                                     | 154* | 154* | 154* | 154* |
| 0.18μF                                      |                                 | 184*                                     | 184* | 184* | 184  | 184  |
| 0.22μF                                      |                                 | 224*                                     | 224* | 224* | 224  | 224  |
| 0.27μF                                      |                                 | 274*                                     | 274* | 274* | 274  | 274  |
| 0.33μF                                      |                                 | 334*                                     | 334* | 334* | 334  | 334  |
| 0.39μF                                      |                                 | 394*                                     | 394* | 394* | 394  | 394  |
| 0.47μF                                      |                                 | 474*                                     | 474* | 474* | 474  | 474  |
| 0.56μF                                      |                                 | 564*                                     | 564* | 564* | 564  | 564  |
| 0.68μF                                      |                                 | 684*                                     | 684* | 684* | 684  | 684  |
| 0.82μF                                      |                                 | 824*                                     | 824* | 824* | 824  | 824  |
| 1.0μF                                       |                                 | 105*                                     | 105* | 105* | 105  | 105  |
| 1.2μF                                       |                                 | 125*                                     | 125* | 125  | 125  | 125  |
| 1.5μF                                       |                                 | 155*                                     | 155* | 155  |      |      |
| 1.8μF                                       |                                 | 185*                                     | 185* | 185  |      |      |
| 2.2μF                                       |                                 | 225*                                     | 225* | 225  |      |      |
| 2.7μF                                       |                                 | 275                                      | 275  |      |      |      |
| 3.3μF                                       | 335                             | 335                                      |      |      |      |      |
| 3.9μF                                       | 395                             | 395                                      |      |      |      |      |
| 4.7μF                                       | 475                             | 475                                      |      |      |      |      |
| 5.6μF                                       | 565                             | 565                                      |      |      |      |      |
| 6.8μF                                       | 685                             | 685                                      |      |      |      |      |
| 8.2μF                                       | 825                             | 825                                      |      |      |      |      |
| 10μF  | 106                             | 106                                      |      |      |      |      |
| Rated Voltage (VDC)                         |                                 | 25                                       | 50   | 100  | 200  | 250  |
| Voltage Code                                |                                 | 3  | 5    | 1    | 2    | A    |

\* Capacitor is supplied with a "Shoulder-Bend" lead configuration in Style/Size C340.

**Table 1F – C35X Style/Size, Capacitance Range Waterfall**

| C350, C356 Style/Size (0.400" Lead Spacing) |                                 |  |     |     |     |     |
|---|---------------------------------|--|-----|-----|-----|-----|
| Rated Voltage (VDC)                         |                                 | 25                                       | 50  | 100 | 200 | 250 |
| Voltage Code                                |                                 | 3  | 5   | 1   | 2   | A   |
| Capacitance                                 | Capacitance Tolerance           | Capacitance Code (Available Capacitance) |     |     |     |     |
| 0.18µF                                      | J = ±5%<br>K = ±10%<br>M = ±20% | 184                                      | 184 | 184 | 184 | 184 |
| 0.22µF                                      |                                 | 224                                      | 224 | 224 | 224 | 224 |
| 0.27µF                                      |                                 | 274                                      | 274 | 274 | 274 | 274 |
| 0.33µF                                      |                                 | 334                                      | 334 | 334 | 334 | 334 |
| 0.39µF                                      |                                 | 394                                      | 394 | 394 | 394 | 394 |
| 0.47µF                                      |                                 | 474                                      | 474 | 474 | 474 | 474 |
| 0.56µF                                      |                                 | 564                                      | 564 | 564 | 564 | 564 |
| 0.68µF                                      |                                 | 684                                      | 684 | 684 | 684 | 684 |
| 0.82µF                                      |                                 | 824                                      | 824 | 824 | 824 | 824 |
| 1.0µF                                       |                                 | 105                                      | 105 | 105 | 105 | 105 |
| 1.2µF                                       |                                 | 125                                      | 125 | 125 | 125 | 125 |
| 1.5µF                                       |                                 | 155                                      | 155 |     |     |     |
| 1.8µF                                       |                                 | 185                                      | 185 |     |     |     |
| 2.2µF                                       |                                 | 225                                      | 225 |     |     |     |
| 2.7µF                                       |                                 | 275                                      | 275 |     |     |     |
| 3.3µF                                       |                                 | 335                                      | 335 |     |     |     |
| 3.9µF                                       |                                 | 395                                      | 395 |     |     |     |
| 4.7µF                                       |                                 | 475                                      | 475 |     |     |     |
| 5.6µF                                       | 565                             | 565                                      |     |     |     |     |
| 6.8µF                                       | 685                             | 685                                      |     |     |     |     |
| 8.2µF                                       | 825                             | 825                                      |     |     |     |     |
| 10µF  | 106                             | 106                                      |     |     |     |     |
| Rated Voltage (VDC)                         |                                 | 25                                       | 50  | 100 | 200 | 250 |
| Voltage Code                                |                                 | 3  | 5   | 1   | 2   | A   |

## Soldering Process

### Recommended Soldering Methods:

- Solder Wave
- Hand Soldering (Manual)

### Recommended Soldering Profile:

- Optimum Wave Solder Profile



## Mounting

All encased capacitors will pass the Resistance to Soldering Heat of MIL-STD-202, Method 210, Condition C. This test simulates wave solder topside board mount product. This demonstration of resistance to solder heat is in accordance with what is believed to be the industry standard. More severe treatment must be considered reflective of an improper soldering process. The above figure is a recommended solder wave profile for both axial and radial leaded ceramic capacitors.

- Hand Soldering (Manual)

### Manual Solder Profile with Pre -heating



**Table 2 – Performance & Reliability: Test Methods and Conditions**

| Stress                       | Reference                         | Test or Inspection Method  |
|------------------------------|-----------------------------------|--|
| Solderability                | J-STD-002                         | Magnification 50X. Conditions:<br>a) Method A, at 235°C, Category 3  |
| Temperature Cycling          | JESD22 Method JA-104              | 1,000 cycles (-55°C to +125°C), measurement at 24 hours +/- 4 hours after test conclusion.   |
| Biased Humidity              | MIL-STD-202 Method 103            | Load humidity, 1,000 hours 85°C/85%RH and rated voltage. Add 100 K ohm resistor. Measurement at 24 hours +/- 4 hours after test conclusion.<br>Low volt humidity, 1,000 hours 85°C/85%RH and 1.5 V. Add 100 K ohm resistor. Measurement at 24 hours +/- 4 hours after test conclusion. |
| Moisture Resistance          | MIL-STD-202 Method 106            | t = 24 hours/cycle. Steps 7a & 7b not required. Unpowered. Measurement at 24 hours +/- 4 hours after test conclusion.  |
| Thermal Shock                | MIL-STD-202 Method 107            | -55°C to +125°C. Note: Number of cycles required = 300. Maximum transfer time = 20 seconds. Dwell time -15 minutes. Air-Air.   |
| High Temperature Life        | MIL-STD-202 Method 108 / EIA -198 | 1,000 hours at 125°C (85°C for Z5U) with 2 X rated voltage applied.  |
| Storage Life                 | MIL-STD-202 Method 108            | 125°C, 0 VDC for 1,000 hours.  |
| Vibration                    | MIL-STD-202 Method 204            | 5 g for 20 minutes, 12 cycles each of 3 orientations. Note: Use 8"X5" PCB .031" thick 7 secure points on one long side and 2 secure points at corners of opposite sides. Parts mounted within 2" from any secure point. Test from 10-2000 Hz.  |
| Resistance to Soldering Heat | MIL-STD-202 Method 210            | Condition B. No preheat of samples. Note: single wave solder – procedure 2.  |
| Terminal Strength            | MIL-STD-202 Method 211            | Conditions A (454g), Condition C (227g)  |
| Mechanical Shock             | MIL-STD-202 Method 213            | Figure 1 of Method 213, Condition C.   |
| Resistance to Solvents       | MIL-STD-202 Method 215            | Add aqueous wash chemical – OKEM Clean or equivalent.  |

## Storage & Handling

The un-mounted storage life of a leaded ceramic capacitor is dependent upon storage and atmospheric conditions as well as packaging materials. While the ceramic chips enveloped under the epoxy coating themselves are quite robust in most environments, solderability of the wire lead on the final epoxy-coated product will be degraded by exposure to high temperatures, high humidity, corrosive atmospheres, and long term storage. In addition, packaging materials will be degraded by high temperature and exposure to direct sunlight – reels may soften or warp, and tape peel force may increase.

KEMET recommends storing the un-mounted capacitors in their original packaging, in a location away from direct sunlight, and where the temperature and relative humidity do not exceed 40 degrees centigrade and 70% respectively. For optimum solderability, capacitor stock should be used promptly, preferably within 18 months of receipt. For applications requiring pre-tinning of components, storage life may be extended if solderability is verified. Before cleaning, bonding or molding these devices, it is important to verify that your process does not affect product quality and performance. KEMET recommends testing and evaluating the performance of a cleaned, bonded or molded product prior to implementing and/or qualifying any of these processes.

## Construction

| Reference | Item                    |                    | Material           |               |
|-----------|-------------------------|--------------------|--------------------|---------------|
| A         | Encapsulation           |                    | Epoxy              |               |
| B         | Dielectric Material     |                    | BaTiO <sub>3</sub> |               |
| C         | Inner Electrode         |                    | Ni                 |               |
| D         | Chip Termination System | External Electrode | Cu                 |               |
| E         |                         | Barrier layer      | Ni                 |               |
| F         |                         | Finish Layer       | Sn                 |               |
| G         | Lead Attach Solder      |                    | 95Sn/5Ag           | 10Sn/88Pb/2Ag |
| H         | Lead Wire               | Core               | Steel              |               |
| I         |                         | Barrier Layer      | Ni                 | Cu            |
| J         |                         | Finish Layer       | Sn 100%            | 60Sn/40Pb     |



Note: Image is exaggerated in order to clearly identify all components of construction.

## Packaging Quantities

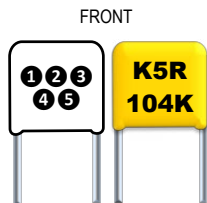
| Style/Size | Standard Bulk Quantity | Ammo Pack Quantity Maximum | Reel Quantity Maximum (12" Reel) |
|------------|------------------------|----------------------------|----------------------------------|
| 315        | 500/Bag                | 2500                       | 2500                             |
| 316        |                        |                            |                                  |
| 317        |                        |                            |                                  |
| 318        |                        |                            |                                  |
| 320        |                        |                            |                                  |
| 321        |                        |                            |                                  |
| 322        |                        |                            |                                  |
| 323        |                        |                            |                                  |
| 324        |                        |                            |                                  |
| 325        |                        |                            |                                  |
| 326        | 250/Bag                | 1500                       | 1500                             |
| 327        |                        |                            |                                  |
| 328        |                        |                            |                                  |
| 330        |                        |                            |                                  |
| 331        |                        |                            |                                  |
| 333        |                        |                            |                                  |
| 335        | 100/Bag                | 1000                       | 1000                             |
| 336        |                        |                            |                                  |
| 340        |                        |                            |                                  |
| 346        | 50/Bag                 | N/A                        | 500                              |
| 350        |                        |                            |                                  |
| 356        |                        |                            |                                  |

## Capacitor Marking

These capacitors shall be stamped or laser marked with KEMET's trademark, rated voltage, dielectric, rated capacitance, capacitance tolerance, lot code and date code. Marking will be supplied on one side of the coated capacitor body. All marking shall be legible to allow for clear identification of the component. Marking appears in legible contrast. Illustrated below is an example of the marking format and content.

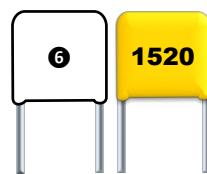


**STYLE/SIZE C33X, C34X, C35X**



**STYLE/SIZE C34X, C35X**

AVAILABLE AS AN OPTION ONLY



| Location Number | Description   | Detail  |  |
|-----------------|---|---|--|
| ①               | KEMET Trademark   | K   |  |
| ②               | Rated Working DC Voltage                                  | 3 = 25 VDC<br>5 = 50 VDC<br>1 = 100 VDC   | 2 = 200 VDC<br>A = 250 VDC                                     |
| ③               | Dielectric  | R = X7R   |  |
| ④               | Rated Capacitance   | First two digits are the significant figures of capacitance in Picofarads. The third digit indicates the additional number of zeros. (2200pF = 222) |  |
| ⑤               | Capacitance Tolerance                                     | J = ±5%<br>K = ±10%<br>M = ±20%   |  |
| ⑥               | Date Code <sup>1</sup><br><br>AVAILABLE AS AN OPTION ONLY | Date Code e.g., 1520  |  |
|                 |   | 14  | 20   |
|                 |   | Manufacturing Year:<br>15 = 2015  | Manufacturing Week:<br>20 = Week 20<br>(of mfg. calendar year) |

<sup>1</sup> To properly request the inclusion of the date code in the marking information provided on the component, ordering code C-SPEC 9207 must be added to the end of the ordering code.



## Tape & Reel Packaging Information

KEMET offers standard reeling of Molded and Conformally Coated Radial Leaded Capacitors in accordance with EIA standard 468. Parts are taped to a tagboard carrier strip, and wound on a reel as shown in Figure 1. Kraft paper interleaving is inserted between the layers of capacitors on the reel. Ammopack is also available, with the same lead tape configuration and package quantities.

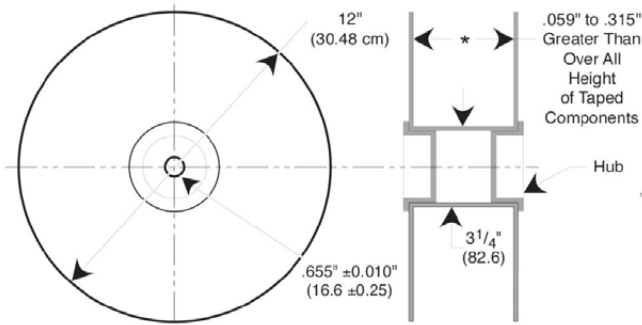


Figure 3: Standard Reel



(Note: Non-standard lead lengths available in bulk only.)

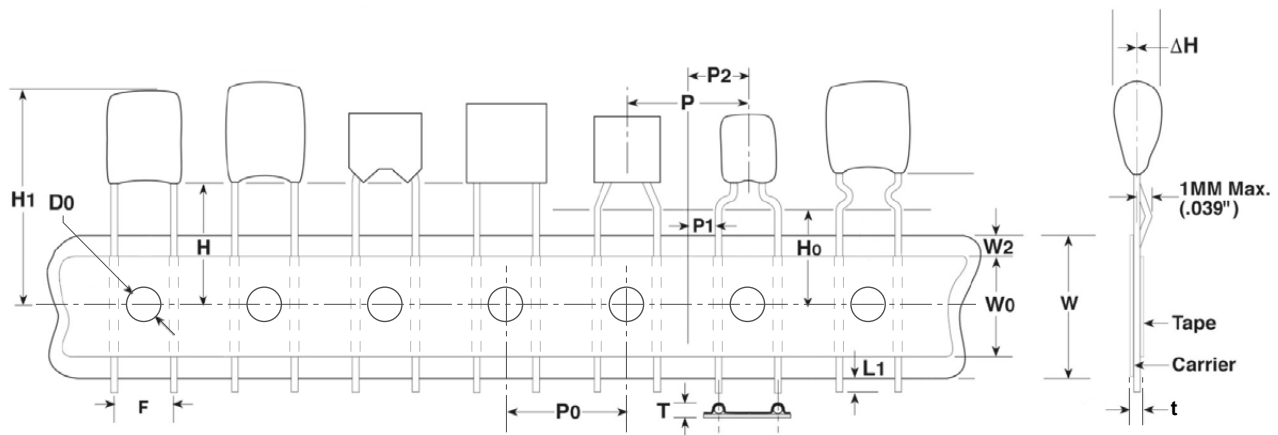


Figure 2: Lead Tape Configuration (See Table Below)

## Ceramic Radial Tape and Reel Dimensions

Metric will govern

| Constant Dimensions — Millimeters (Inches) |                       |                            |                  |                     |                |                                       |                  |                  |
|--|-----------------------|----------------------------|------------------|---------------------|----------------|---------------------------------------|------------------|------------------|
| $D_0$<br>±0.2 (0.008)                      | $P_0$<br>±0.3 (0.012) | $\Delta H$<br>±0.2 (0.008) | $L_1$<br>Maximum | $t$<br>±0.2 (0.008) | $T$<br>Maximum | $W$<br>+ 1.0/- 0.5<br>(+0.039/-0.020) | $W_0$<br>Minimum | $W_2$<br>Maximum |
| 4.00 (0.157)                               | 12.7 (0.500)          | 4.0 (0.157)                | 1.0 (0.039)      | 0.7 (0.051)         | 1.5 (0.059)    | 18.0 (0.709)                          | 5.0 (0.197)      | 3.0 (0.118)      |

## Ceramic Radial Tape and Reel Dimensions cont'd

Metric will govern

| Variable Dimensions — Millimeters (Inches) |  |                   |                               |                        |  |
|--|--|-------------------|-------------------------------|------------------------|--|
| F<br>±0.030 (0.78)<br>Note 1               | P <sub>1</sub><br>±0.030 (0.012)<br>Note 1 | P<br>±0.3 (0.012) | P <sub>2</sub><br>±1.3 (0.51) | H<br>Minimum<br>Note 2 | H <sub>0</sub><br>±0.5 (0.630)<br>Note 3 |
| 2.54 (0.100)                               | 5.08 (0.200)                               | 12.7 (0.500)      | 6.35 (0.250)                  | 18.0 (0.709)           | 16.0 (0.024)                             |
| 4.32 (0.170)                               | 3.89 (0.153)                               | 12.7 (0.500)      | 6.35 (0.250)                  |                        |  |
| 5.08 (0.200)                               | 3.81 (0.150)                               | 12.7 (0.500)      | 6.35 (0.250)                  |                        |  |
| 5.59 (0.220)                               | 3.25 (0.128)                               | 12.7 (0.500)      | 6.35 (0.250)                  |                        |  |
| 6.98 (0.275)                               | 2.54 (0.100)                               | 12.7 (0.500)      | 6.35 (0.250)                  |                        |  |
| 7.62 (0.300)                               | 2.24 (0.088)                               | 12.7 (0.500)      | 6.35 (0.250)                  |                        |  |
| 9.52 (0.375)                               | 7.62 (0.300)                               | 12.7 (0.500)      | 6.35 (0.250)                  |                        |  |
| 10.16 (0.400)                              | 7.34 (0.290)                               | 25.4 (1.000)      | N/A                           |                        |  |
| 12.06 (0.475)                              | 6.35 (0.250)                               | 25.4 (1.000)      | N/A                           |                        |  |
| 14.60 (0.575)                              | 5.08 (0.200)                               | 25.4 (1.000)      | N/A                           |                        |  |
| 17.14 (0.675)                              | 3.81 (0.15)                                | 25.4 (1.000)      | N/A                           |                        |  |

1. Measured at the egress from the carrier tape, on the component side.

| Symbol Reference Table |   |
|------------------------|---|
| D <sub>0</sub>         | Sprocket Hole Diameter                        |
| P <sub>0</sub>         | Sprocket Hole Pitch                           |
| P                      | Component Pitch                               |
| F                      | Lead Spacing                                  |
| P <sub>1</sub>         | Sprocket Hole Center to Lead Center           |
| P <sub>2</sub>         | Sprocket Hole Center To Component Center      |
| H                      | Height to Seating Plane (Straight Leads Only) |
| H <sub>0</sub>         | Height to Seating Plane (Formed Leads Only)   |
| H <sub>1</sub>         | Component Height Above Tape Center            |
| ΔH                     | Component Alignment                           |
| L <sub>1</sub>         | Lead Protrusion                               |
| t                      | Composite Tape Thickness                      |
| W                      | Carrier Tape Width                            |
| W <sub>0</sub>         | Hold-Down Tape Width                          |
| W <sub>2</sub>         | Hold-Down Tape Location                       |

## KEMET Corporation World Headquarters

2835 KEMET Way  
Simpsonville, SC 29681

Mailing Address:  
P.O. Box 5928  
Greenville, SC 29606

www.kemet.com  
Tel: 864-963-6300  
Fax: 864-963-6521

**Corporate Offices**  
Fort Lauderdale, FL  
Tel: 954-766-2800

## North America

### Southeast

Lake Mary, FL  
Tel: 407-855-8886

### Northeast

Wilmington, MA  
Tel: 978-658-1663

### Central

Novi, MI  
Tel: 248-994-1030

### West

Milpitas, CA  
Tel: 408-433-9950

### Mexico

Guadalajara, Jalisco  
Tel: 52-33-3123-2141

## Europe

### Southern Europe

Sasso Marconi, Italy  
Tel: 39-051-939111

Skopje, Macedonia  
Tel: 389-2-55-14-623

### Central Europe

Landsberg, Germany  
Tel: 49-8191-3350800

Kamen, Germany  
Tel: 49-2307-438110

### Northern Europe

Wyboston, United Kingdom  
Tel: 44-1480-273082

Espoo, Finland  
Tel: 358-9-5406-5000

## Asia

### Northeast Asia

Hong Kong  
Tel: 852-2305-1168

Shenzhen, China  
Tel: 86-755-2518-1306

Beijing, China  
Tel: 86-10-5877-1075

Shanghai, China  
Tel: 86-21-6447-0707

Seoul, South Korea  
Tel: 82-2-6294-0550

Taipei, Taiwan  
Tel: 886-2-27528585

### Southeast Asia

Singapore  
Tel: 65-6701-8033

Penang, Malaysia  
Tel: 60-4-6430200

Bangalore, India  
Tel: 91-806-53-76817

*Note: KEMET reserves the right to modify minor details of internal and external construction at any time in the interest of product improvement. KEMET does not assume any responsibility for infringement that might result from the use of KEMET Capacitors in potential circuit designs. KEMET is a registered trademark of KEMET Electronics Corporation.*

## Disclaimer

All product specifications, statements, information and data (collectively, the "Information") in this datasheet are subject to change. The customer is responsible for checking and verifying the extent to which the Information contained in this publication is applicable to an order at the time the order is placed.

All Information given herein is believed to be accurate and reliable, but it is presented without guarantee, warranty, or responsibility of any kind, expressed or implied.

Statements of suitability for certain applications are based on KEMET Electronics Corporation's ("KEMET") knowledge of typical operating conditions for such applications, but are not intended to constitute – and KEMET specifically disclaims – any warranty concerning suitability for a specific customer application or use. The Information is intended for use only by customers who have the requisite experience and capability to determine the correct products for their application. Any technical advice inferred from this Information or otherwise provided by KEMET with reference to the use of KEMET's products is given gratis, and KEMET assumes no obligation or liability for the advice given or results obtained.

Although KEMET designs and manufactures its products to the most stringent quality and safety standards, given the current state of the art, isolated component failures may still occur. Accordingly, customer applications which require a high degree of reliability or safety should employ suitable designs or other safeguards (such as installation of protective circuitry or redundancies) in order to ensure that the failure of an electrical component does not result in a risk of personal injury or property damage.

Although all product-related warnings, cautions and notes must be observed, the customer should not assume that all safety measures are indicated or that other measures may not be required.

Компания «Life Electronics» занимается поставками электронных компонентов импортного и отечественного производства от производителей и со складов крупных дистрибьюторов Европы, Америки и Азии.

С конца 2013 года компания активно расширяет линейку поставок компонентов по направлению коаксиальный кабель, кварцевые генераторы и конденсаторы (керамические, пленочные, электролитические), за счёт заключения дистрибьюторских договоров

Мы предлагаем:

- Конкурентоспособные цены и скидки постоянным клиентам.
- Специальные условия для постоянных клиентов.
- Подбор аналогов.
- Поставку компонентов в любых объемах, удовлетворяющих вашим потребностям.
- Приемлемые сроки поставки, возможна ускоренная поставка.
- Доставку товара в любую точку России и стран СНГ.
- Комплексную поставку.
- Работу по проектам и поставку образцов.
- Формирование склада под заказчика.
- Сертификаты соответствия на поставляемую продукцию (по желанию клиента).
- Тестирование поставляемой продукции.
- Поставку компонентов, требующих военную и космическую приемку.
- Входной контроль качества.
- Наличие сертификата ISO.

В составе нашей компании организован Конструкторский отдел, призванный помогать разработчикам, и инженерам.

Конструкторский отдел помогает осуществить:

- Регистрацию проекта у производителя компонентов.
- Техническую поддержку проекта.
- Защиту от снятия компонента с производства.
- Оценку стоимости проекта по компонентам.
- Изготовление тестовой платы монтаж и пусконаладочные работы.



Тел: +7 (812) 336 43 04 (многоканальный)

Email: [org@lifeelectronics.ru](mailto:org@lifeelectronics.ru)