

PLEASE CHECK WWW.MOLEX.COM FOR LATEST PART INFORMATION

Part Number: [0472720024](#)
Status: **Active**
Overview: [displayport](#)
Description: 0.50mm (.020") Pitch DisplayPort* Male Receptacle, Right Angle, SMT, 0.76µm (30µ") Gold (Au) Plating, 20 Circuits, with Cover, Latch Holes, Mylar, Peg, Solder Tab of Shell, without Flange, Leadfree

Documents:

[3D Model](#) [RoHS Certificate of Compliance \(PDF\)](#)
[Drawing \(PDF\)](#)

Agency Certification

UL E29179

General

Product Family I/O Connectors
 Series [47272](#)
 Application Wire-to-Board
 Comments Through Hole Peg of Shell
 Component Type Receptacle
 Overview [displayport](#)
 Product Name DisplayPort*
 Type N/A

Physical

Boot Color N/A
 Circuits (Loaded) 20
 Circuits (maximum) 20
 Color - Resin Black
 Flammability 94V-0
 Gender Male
 Keying to Mating Part Yes
 Lock to Mating Part Yes
 Material - Metal Copper Alloy
 Material - Plating Mating Gold
 Material - Plating Termination Tin-Bismuth
 Material - Resin High Temperature Thermoplastic
 Number of Rows 2
 Orientation Right Angle
 PCB Locator Yes
 PCB Retention Yes
 Packaging Type Embossed Tape on Reel
 Panel Mount Without Flange
 Pitch - Mating Interface (in) 0.039 In
 Pitch - Mating Interface (mm) 0.50 mm
 Pitch - Term. Interface (in) 0.039 In
 Pitch - Term. Interface (mm) 0.50 mm
 Plating min: Mating (µin) 30
 Plating min: Mating (µm) 0.76
 Plating min: Termination (µin) 40
 Plating min: Termination (µm) 1
 Polarized to Mating Part Yes
 Polarized to PCB Yes
 Ports 1
 Temperature Range - Operating -20°C to +85°C
 Termination Interface: Style Surface Mount



image - Reference only

Series

EU RoHS

ELV and RoHS Compliant
REACH SVHC
 Not Reviewed
Halogen-Free Status

China RoHS



Need more information on product environmental compliance?

Email productcompliance@molex.com
 For a multiple part number RoHS Certificate of Compliance, [click here](#)

Please visit the [Contact Us](#) section for any non-product compliance questions.

Search Parts in this Series

[47272Series](#)

Mates With

[47271](#) Plug Sub-Assemblies, [68783](#) Cable Series

Waterproof / Dustproof No

Electrical

Current - Maximum per Contact 0.5A
Grounding to Panel Yes
Shielded Yes
Voltage - Maximum 40V AC

Solder Process Data

Duration at Max. Process Temperature (seconds) 3
Lead-free Process Capability Reflow Capable (SMT only)
Max. Cycles at Max. Process Temperature 2
Process Temperature max. C 250

Material Info

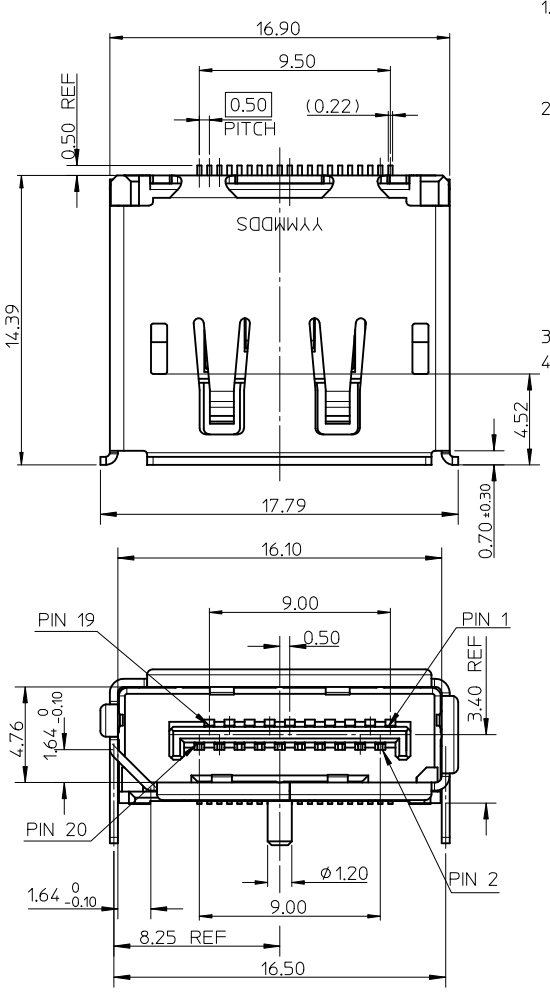
Reference - Drawing Numbers

Packaging Specification PK-47272-001
Sales Drawing SD-47272-001

* DisplayPort is a Trademark of VESA

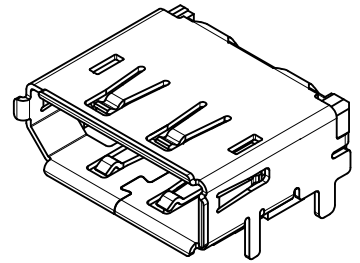
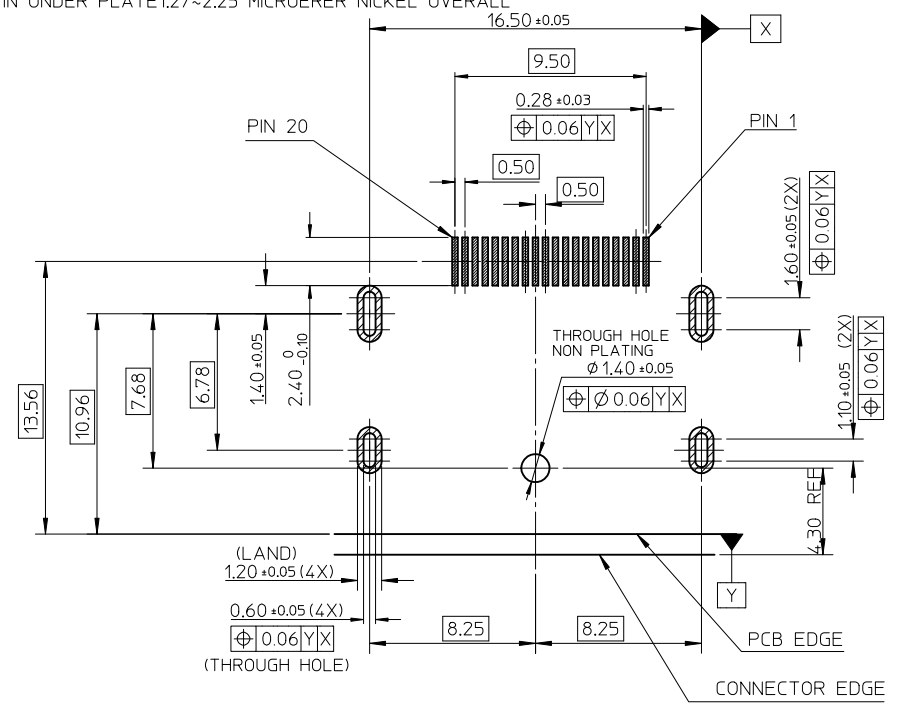
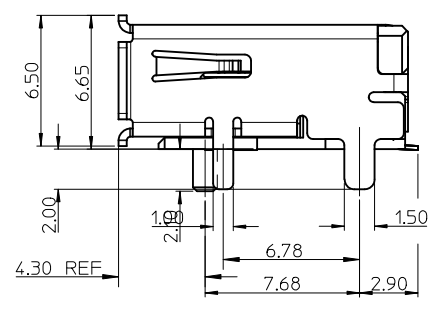
This document was generated on 05/19/2010

PLEASE CHECK WWW.MOLEX.COM FOR LATEST PART INFORMATION



NOTES:

- 1. MATERIAL:
HOUSING: HIGH TEMPERATURE THERMAL PLASTIC, BLACK, 30% GLASS FILLED, UL94V-0.
TERMINAL: COPPER ALLOY.
SHELL: COPPER ALLOY.
- 2. PLATING:
TERMINAL: CONTACT AREA(1)0.76 MICROMETER GOLD PLATING
(2)0.38 MICROMETER GOLD PLATING
(3)GOLD FLASH PLATING
(4)0.64MIN. MICROMETER PALLADIUM/NICKEL AND GOLD FLASH PLATING
AND SOLDER TAIL 1-3 MICROMETER TIN BISMUTH UNDER PLATE1-3 MICROMETER NICKEL PLATING OVERALL.
SHELL:(a)1.27-2.54 MICROETER SOLDERABLE NICKEL PLATING OVERALL.
(b)SHELL PEG SOLDERING SURFACE PLATE GOLD FLASH UNDER PLATE1-3 MICROMETER NICKEL PLATING OVERALL.
(c) SHELL PLATE 2.1~3.0 MICROMETER TIN UNDER PLATE1.27~2.25 MICROERER NICKEL OVERALL.
- 3. SOLDERTAIL COPLANARITY 0.10 MAX.
- 4. PS REFER TO PS-47272-001

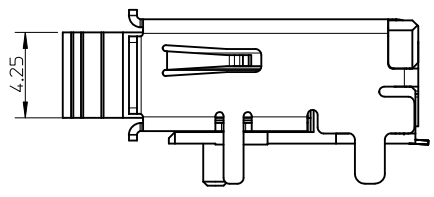
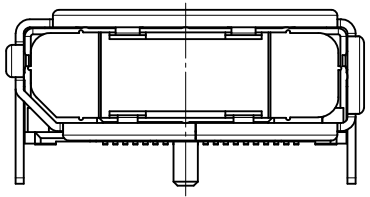
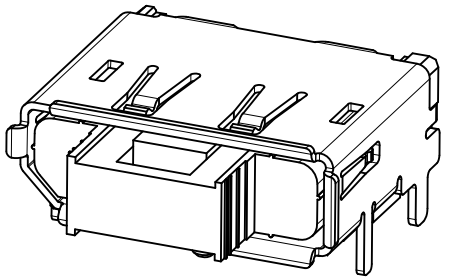
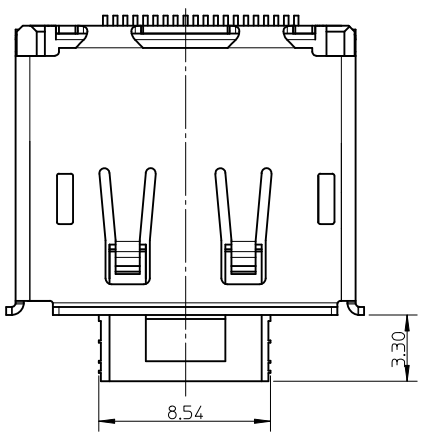


RECOMMENDED PCB LAYOUT (THICKNESS=1.6±0.15)

| | | | | | | | | | | | |
|---|--------------------|-----------------|---------------------------------------|------------------------------|----------------------------|---|---|------------------------|--------------------|--|--|
| REVISED EC NO: SH2010-0353 DRWN:HHE 2010/03/08 CHKD:FYANG05 2010/03/14 APPR:RZHANG 2010/03/19 | DESCRIPTION REV | QUALITY SYMBOLS | GENERAL TOLERANCES (UNLESS SPECIFIED) | | DIMENSION STYLE MM ONLY | SCALE 1:1 | DESIGN UNITS METRIC | THIRD ANGLE PROJECTION | | | |
| | | ▽=0 | mm | INCH | DRAWN BY RZHANG | DATE 2005/07/01 | TITLE 1.0MM PITCH DISPLAY PORT RECEPTACLE ASSEMBLY | | | | |
| | | ▽=0 | 4 PLACES ± --- | ± --- | 3 PLACES ± --- | ± --- | CHECKED BY IWANG | DATE 2005/07/01 | MOLEX INCORPORATED | | |
| | | ▽=0 | 2 PLACES ± 0.25 | ± --- | 1 PLACE ± 0.25 | ± --- | APPROVED BY RZHANG | DATE 2010/03/26 | | | |
| DRAFT WHERE APPLICABLE MUST REMAIN WITHIN DIMENSIONS | | ANGULAR ± 3 ° | | MATERIAL NO. SEE SHEETS 5 | | THIS DRAWING CONTAINS INFORMATION THAT IS PROPRIETARY TO MOLEX INCORPORATED AND SHOULD NOT BE USED WITHOUT WRITTEN PERMISSION | | | | | |

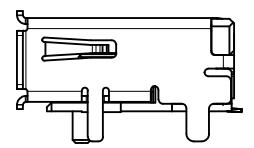
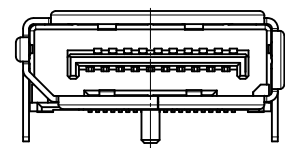
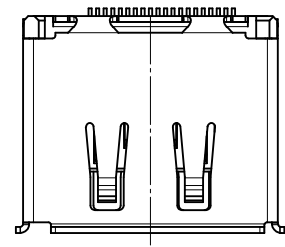
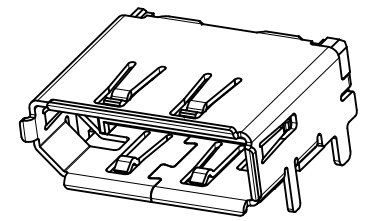
10 9 8 7 6 5 4 3 2 1

WITH COVER



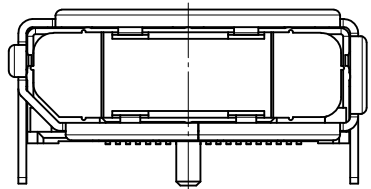
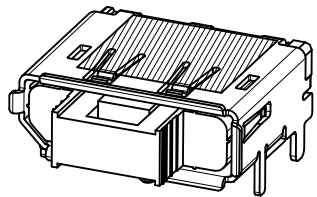
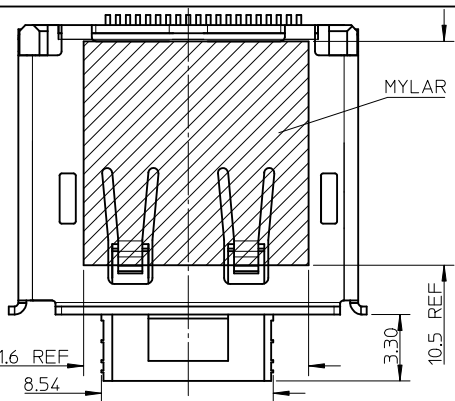
- NOTES:
 1.UNSPECIFIED DIMENSION ARE SAME AS SHEET1
 2.CONNECTOR WITH COVER IS USED FOR WARE SOLDERING PEG

WITHOUT LATCH HOLE



- NOTES:
 1.UNSPECIFIED DIMENSION ARE SAME AS SHEET1

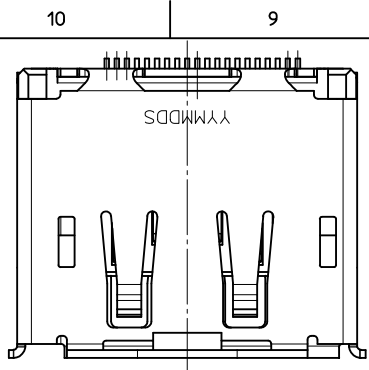
WITH COVER AND MYLAR



- NOTES:
 1.UNSPECIFIED DIMENSION ARE SAME AS SHEET1
 2.CONNECTOR WITH COVER IS USED FOR WARE SOLDERING PEG

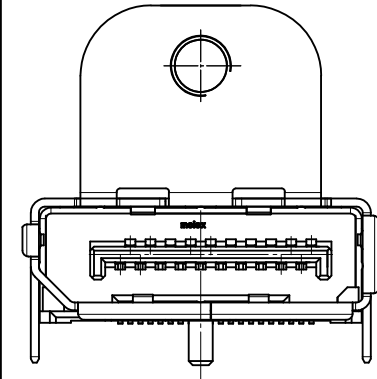
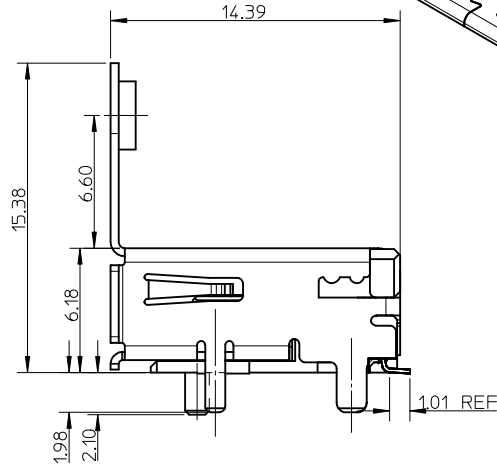
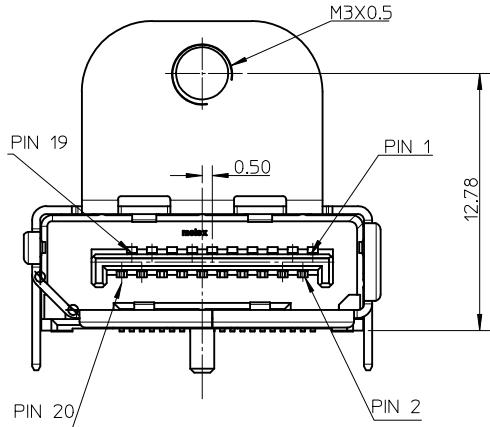
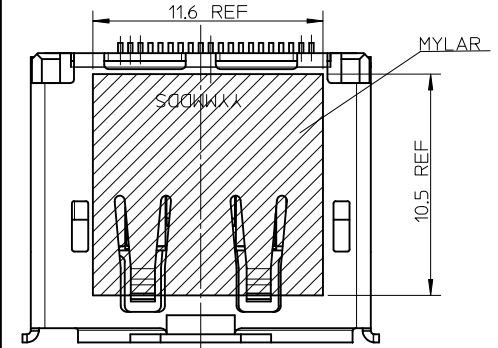
| | | | | | | | | | |
|--|--------------------|--|---------------------------------------|---|-----------------|--------------------|--|------------------------|--|
| REVISED EC NO: SH2010-0353 DRW:HHH 2010/03/08 CHKD:FYANG05 2010/03/24 APPR:RZHANG 2010/03/29 | DESCRIPTION REV | QUALITY SYMBOLS | GENERAL TOLERANCES (UNLESS SPECIFIED) | | DIMENSION STYLE | SCALE | DESIGN UNITS | THIRD ANGLE PROJECTION | |
| | | $\nabla_F=0$ | mm | INCH | MM ONLY | 1:1 | METRIC | | |
| | | $\nabla_F=0$ | 4 PLACES ± --- | ± --- | DRAWN BY | DATE | TITLE | | |
| | | $\nabla_F=0$ | 3 PLACES ± --- | ± --- | RZHANG | 2005/07/01 | 1.0MM PITCH DISPLAY PORT RECEPTACLE ASSEMBLY | | |
| | | 2 PLACES ± 0.25 | ± --- | CHECKED BY | DATE | | | | |
| | | 1 PLACE ± 0.25 | ± --- | IWANG | 2005/07/01 | | | | |
| | | ANGULAR ± 3 ° | | APPROVED BY | DATE | MOLEX INCORPORATED | | | |
| | | DRAFT WHERE APPLICABLE MUST REMAIN WITHIN DIMENSIONS | | RZHANG | 2010/03/26 | DOCUMENT NO. | SD-47272-001 | SHEET NO. | |
| | | | | SEE SHEETS 5 | | | | 2 OF 8 | |
| | | | | THIS DRAWING CONTAINS INFORMATION THAT IS PROPRIETARY TO MOLEX INCORPORATED AND SHOULD NOT BE USED WITHOUT WRITTEN PERMISSION | | | | | |

9 8 7 6 5 4 3 2 1



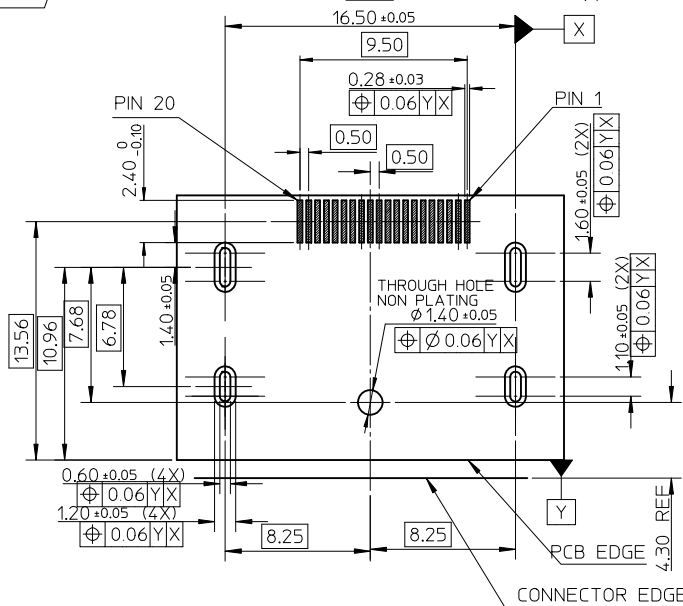
WITH FLANGE AND THROUGH HOLE PEG

WITH MYLAR



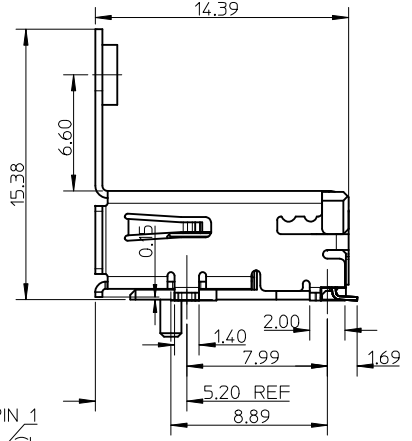
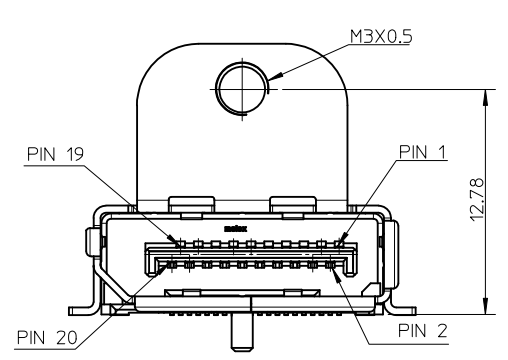
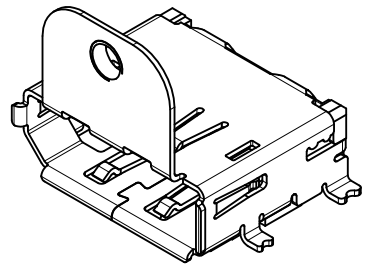
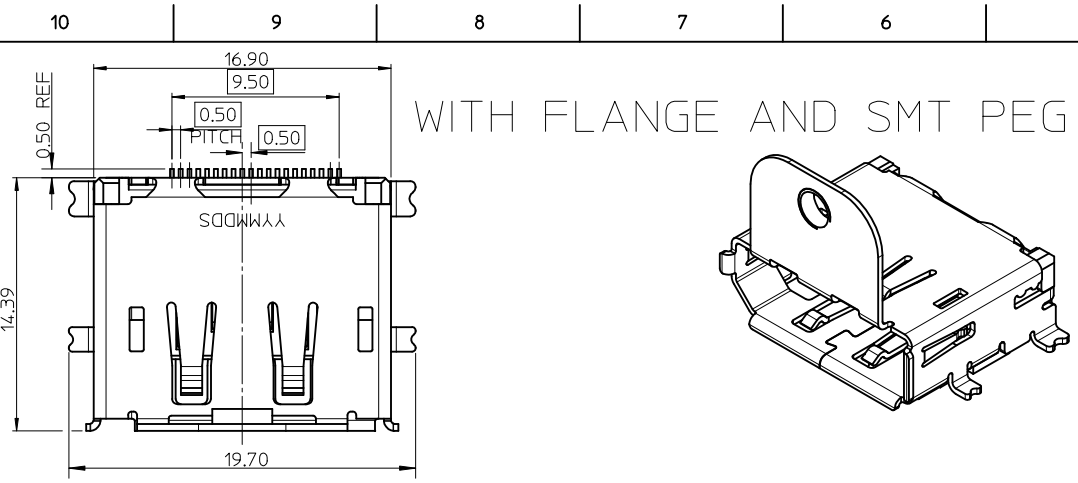
NOTES:
UNSPECIFIED DIMENSION ARE SAME AS SHEET1

NOTES:
UNSPECIFIED DIMENSION ARE SAME AS SHEET1

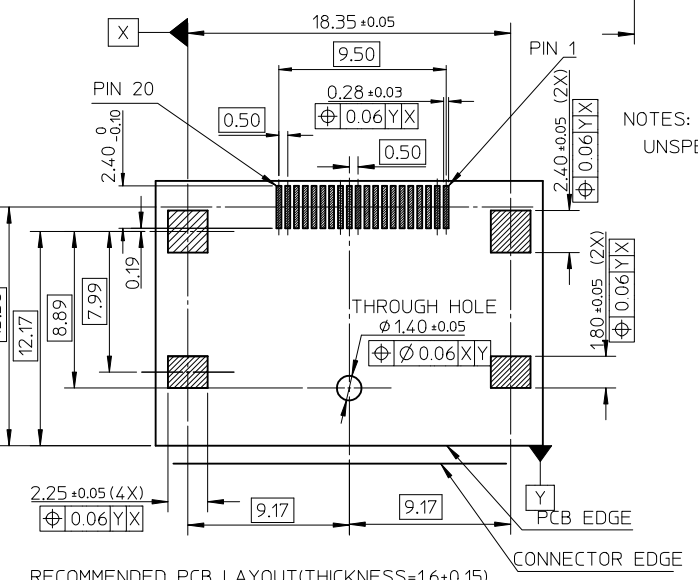


RECOMMENDED PCB LAYOUT (THICKNESS=1.6±0.15)

| | | | | | | | | | | |
|---------|--------------------|------------|-----------------|--|--------|-----------------|--------------|---|--|------------------------|
| REVISED | EC NO: SH2010-0353 | 2010/03/08 | QUALITY SYMBOLS | GENERAL TOLERANCES (UNLESS SPECIFIED) | | DIMENSION STYLE | | SCALE | DESIGN UNITS | THIRD ANGLE PROJECTION |
| | DRW:HHH | 2010/03/24 | ▽E=0 | mm | INCH | MM ONLY | | 1:1 | METRIC | |
| B | CHK:FYANG05 | 2010/03/24 | ▽E=0 | 4 PLACES | ± --- | ± --- | DRAWN BY | DATE | TITLE | |
| | APPR:RZHANG | 2010/03/29 | ▽E=0 | 3 PLACES | ± --- | ± --- | RZHANG | 2005/07/01 | 1.0MM PITCH DISPLAY PORT RECEPTACLE ASSEMBLY | |
| | | | | 2 PLACES | ± 0.25 | ± --- | CHECKED BY | DATE | | |
| | | | | 1 PLACE | ± 0.25 | ± --- | IWANG | 2005/07/01 | | |
| | | | | ANGULAR ± 3 ° | | | APPROVED BY | DATE | | |
| | | | | DRAFT WHERE APPLICABLE MUST REMAIN WITHIN DIMENSIONS | | | RZHANG | 2010/03/26 | | |
| | | | | | | | MATERIAL NO. | | MOLEX INCORPORATED | |
| | | | | | | | SEE SHEETS 5 | | DOCUMENT NO. SD-47272-001 | |
| | | | | | | | SIZE | | SHEET NO. 3 OF 8 | |
| | | | | | | | A3 | THIS DRAWING CONTAINS INFORMATION THAT IS PROPRIETARY TO MOLEX INCORPORATED AND SHOULD NOT BE USED WITHOUT WRITTEN PERMISSION | | |

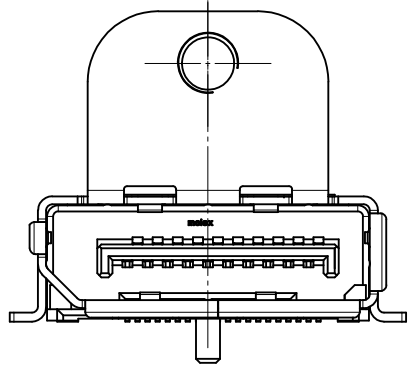
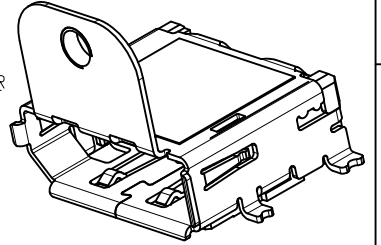
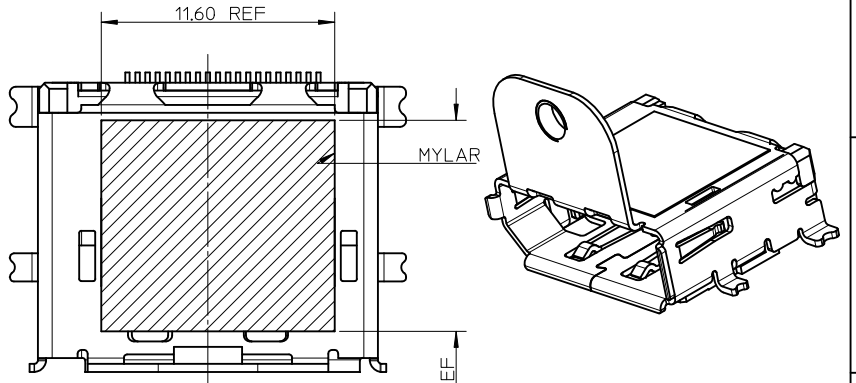


NOTES:
UNSPECIFIED DIMENSION ARE SAME AS SHEET1



RECOMMENDED PCB LAYOUT (THICKNESS=1.6±0.15)

WITH FLANGE AND MYLAR



NOTES:
1. UNSPECIFIED DIMENSION ARE SAME AS SHEET1
2. THE RECOMMENDER PCB ARE SAME AS LEFT RECOMMENDER PCB

| | | | | | | | |
|---|--|--|---|-----------------------|-------------|--------------------|------------------------|
| REVISED EC NO: SH2010-0353 DRW: HHE 2010/03/08 CHK: FYANG05 2010/03/24 APP: RZHANG 2010/03/29 | QUALITY SYMBOLS F _A =0 F _B =0 F _C =0 | GENERAL TOLERANCES (UNLESS SPECIFIED) | | DIMENSION STYLE | SCALE | DESIGN UNITS | THIRD ANGLE PROJECTION |
| | | | | MM ONLY | 1:1 | METRIC | |
| | | | | DRAWN BY | DATE | TITLE | |
| | | | | 4 PLACES ± --- ± --- | RZHANG | 2005/07/01 | |
| REV B | DESCRIPTION | DRAFT WHERE APPLICABLE MUST REMAIN WITHIN DIMENSIONS | | CHECKED BY | DATE | MOLEX INCORPORATED | |
| | | | | 3 PLACES ± --- ± --- | IWANG | 2005/07/01 | SD-47272-001 |
| | | | | 2 PLACES ± 0.25 ± --- | APPROVED BY | DATE | |
| | | | | 1 PLACE ± 0.25 ± --- | RZHANG | 2010/03/26 | |
| | | ANGULAR ± 3 ° | MATERIAL NO. | DOCUMENT NO. | | | |
| | | SEE SHEETS 5 | THIS DRAWING CONTAINS INFORMATION THAT IS PROPRIETARY TO MOLEX INCORPORATED AND SHOULD NOT BE USED WITHOUT WRITTEN PERMISSION | | | | |

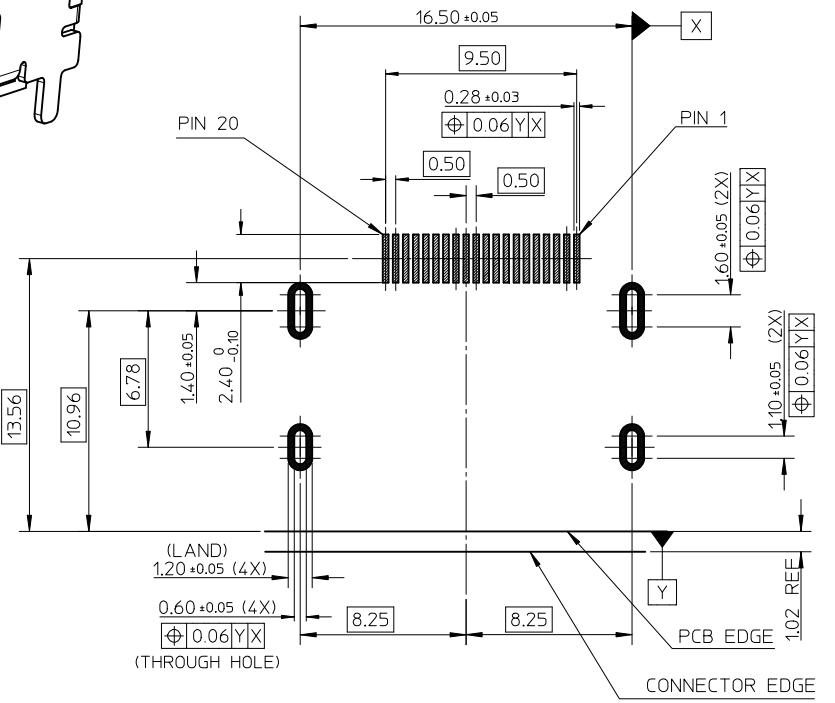
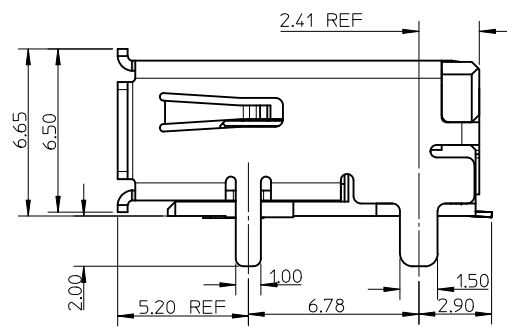
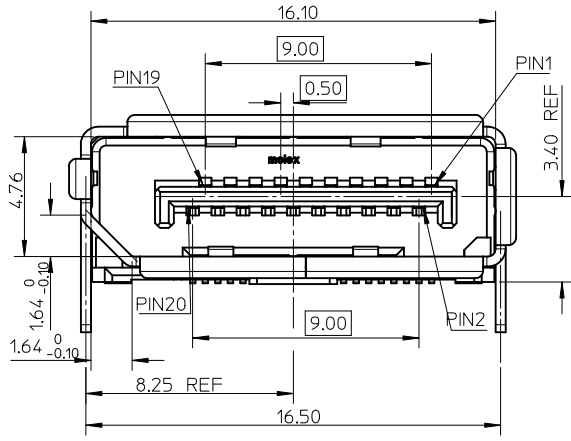
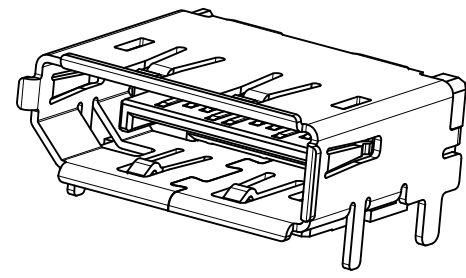
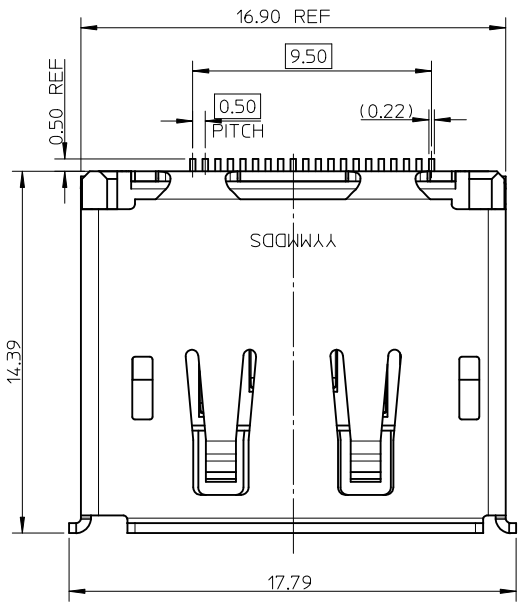
| | 10 | 9 | 8 | 7 | 6 | 5 | 4 | 3 | 2 | 1 | | |
|---|--------------|------------|-------------|------------------|---------------------------|-------------------------|---------------|-----------------|---------|---------|----------------|----------------------------|
| | ASSEMBLY NO. | WITH COVER | WITH FLANGE | SMT PEG OF SHELL | THROUGH HOLE PEG OF SHELL | PLATING IN CONTACT AREA | SHELL PLATING | WITH LATCH HOLE | MYLAR | POST | PACKAGE METHOD | REMARK |
| F | 47272-0001 | WITHOUT | WITHOUT | / | WITH | SEE NOTE2(1) | SEE NOTE2(a) | WITH | WITHOUT | WITH | | WITH EMI SHELL FOR SHEET 1 |
| | 47272-0002 | WITHOUT | WITHOUT | / | WITH | SEE NOTE2(1) | SEE NOTE2(a) | WITH | WITHOUT | WITH | | |
| | 47272-0011 | WITHOUT | WITHOUT | / | WITH | SEE NOTE2(2) | SEE NOTE2(a) | WITH | WITHOUT | WITH | | |
| | 47272-0021 | WITHOUT | WITHOUT | / | WITH | SEE NOTE2(3) | SEE NOTE2(a) | WITH | WITHOUT | WITH | | |
| E | 47272-0003 | WITHOUT | WITHOUT | / | WITH | SEE NOTE2(1) | SEE NOTE2(a) | WITHOUT | WITHOUT | WITH | | FOR SHEET 2 |
| | 47272-1002 | WITH | WITHOUT | / | WITH | SEE NOTE2(1) | SEE NOTE2(a) | WITH | WITHOUT | WITH | | |
| | 47272-0012 | WITH | WITHOUT | / | WITH | SEE NOTE2(2) | SEE NOTE2(a) | WITH | WITHOUT | WITH | | |
| | 47272-0022 | WITH | WITHOUT | / | WITH | SEE NOTE2(3) | SEE NOTE2(a) | WITH | WITHOUT | WITH | | |
| | 47272-0024 | WITH | WITHOUT | / | WITH | SEE NOTE2(1) | SEE NOTE2(a) | WITH | WITH | WITH | | FOR SHEET 3 |
| D | 47272-0004 | WITH | WITH | / | WITH | SEE NOTE2(1) | SEE NOTE2(c) | WITH | WITHOUT | WITH | | |
| | 47272-1004 | WITHOUT | WITH | / | WITH | SEE NOTE2(1) | SEE NOTE2(c) | WITH | WITHOUT | WITH | | |
| | 47272-0025 | WITHOUT | WITH | / | WITH | SEE NOTE2(1) | SEE NOTE2(c) | WITH | WITH | WITH | | |
| | 47272-0028 | WITHOUT | WITH | / | WITH | SEE NOTE2(3) | SEE NOTE2(c) | WITH | WITH | WITH | | FOR SHEET 4 |
| C | 47272-1005 | WITHOUT | WITH | SMT PEG | / | SEE NOTE2(1) | SEE NOTE2(c) | WITH | WITHOUT | WITH | | |
| | 47272-0023 | WITHOUT | WITH | SMT PEG | / | SEE NOTE2(1) | SEE NOTE2(c) | WITH | WITH | WITH | | |
| | 47272-0026 | WITHOUT | WITHOUT | / | WITH | SEE NOTE2(1) | SEE NOTE2(a) | WITH | WITHOUT | WITHOUT | | FOR SHEET 6 |
| | 47272-0027 | WITH | WITH | / | WITH | SEE NOTE2(1) | SEE NOTE2(c) | WITH | WITH | WITH | | FOR SHEET 7 |
| | 47272-0201 | WITHOUT | WITHOUT | / | WITH | SEE NOTE2(4) | SEE NOTE2(a) | WITH | WITHOUT | WITH | | FOR SHEET 1 |
| | 47272-0029 | WITHOUT | WITHOUT | / | WITH | SEE NOTE2(1) | SEE NOTE2(a) | WITH | WITH | WITH | | FOR SHEET 8 |

B

| | | | | | | | |
|---|-----------------------|--|------------------|---|--|------------------------|--|
| REVISED IEC NO: SH2010-0353 DRW:HHH 2010/03/08 CHKD:FYANG05 2010/03/24 APPR:RZHANG 2010/03/29 REV | QUALITY SYMBOLS | GENERAL TOLERANCES (UNLESS SPECIFIED) | DIMENSION STYLE | SCALE | DESIGN UNITS | THIRD ANGLE PROJECTION | |
| | $F_V=0$ | mm INCH | MM ONLY | 1:1 | METRIC | | |
| | $F_G=0$ | 4 PLACES ± --- ± --- | DRAWN BY RZHANG | DATE 2005/07/01 | TITLE 1.0MM PITCH DISPLAY PORT RECEPTACLE ASSEMBLY | | |
| | $F_P=0$ | 3 PLACES ± --- ± --- | CHECKED BY IWANG | DATE 2005/07/01 | MOLEX INCORPORATED | | |
| | 2 PLACES ± 0.25 ± --- | APPROVED BY RZHANG | DATE 2010/03/26 | DOCUMENT NO. SD-47272-001 | | | |
| | 1 PLACE ± 0.25 ± --- | ANGULAR ± 3 ° | | SHEET NO. 5 OF 8 | | | |
| | | DRAFT WHERE APPLICABLE MUST REMAIN WITHIN DIMENSIONS | SEE CHART | THIS DRAWING CONTAINS INFORMATION THAT IS PROPRIETARY TO MOLEX INCORPORATED AND SHOULD NOT BE USED WITHOUT WRITTEN PERMISSION | | | |

10 9 8 7 6 5 4 3 2 1

WITHOUT POST

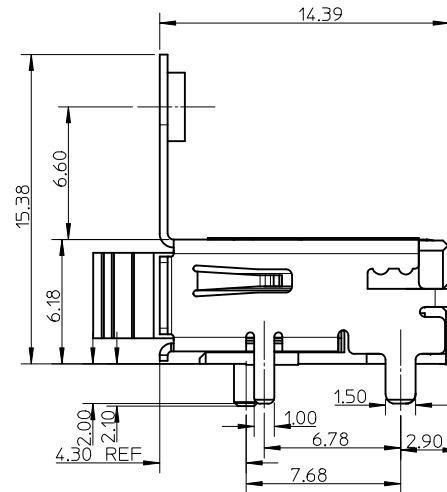
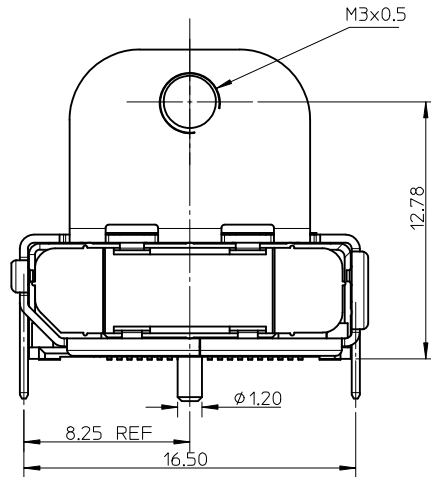
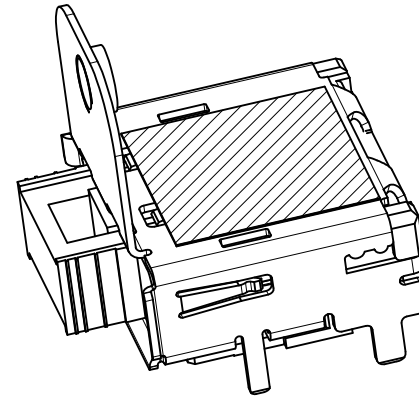
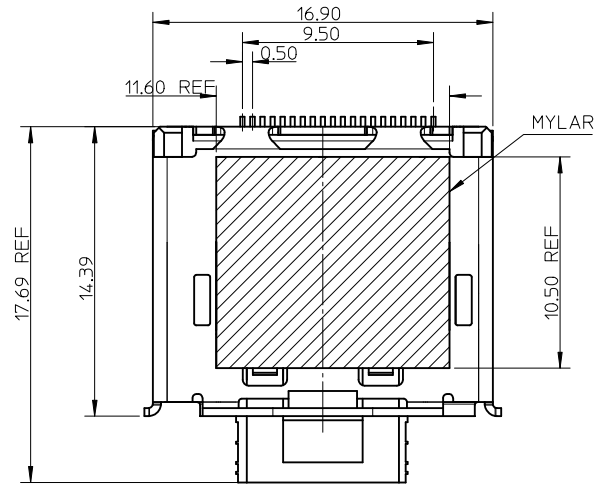


RECOMMENDED PCB LAYOUT (THICKNESS=1.6±0.15)

NOTES:
UNSPECIFIED DIMENSION ARE SAME AS SHEET1

| | | | | | | | | | | |
|---|------------|--------------------------------------|--|----------------------|---|--------------------|---|------------------------|------------------------|--|
| REVISED EC NO: SH2010-0353 DRW: HHE CHK: FYANG05 APPR: RZHANG | 2010/03/08 | QUALITY SYMBOLS ▽=0 ▽=0 ▽=0 | GENERAL TOLERANCES (UNLESS SPECIFIED) | | DIMENSION STYLE MM ONLY | | SCALE 1:1 | DESIGN UNITS METRIC | THIRD ANGLE PROJECTION | |
| | 2010/03/24 | | mm | INCH | DRAWN BY RZHANG | DATE 2005/07/01 | TITLE 1.0MM PITCH DISPLAY PORT RECEPTACLE ASSEMBLY | | | |
| | 2010/03/29 | | 4 PLACES ± --- ± --- | 3 PLACES ± --- ± --- | CHECKED BY IWANG | DATE 2005/07/01 | MOLEX INCORPORATED | | | |
| | | | 2 PLACES ± 0.25 ± --- | 1 PLACE ± 0.25 ± --- | APPROVED BY RZHANG | DATE 2010/03/26 | MATERIAL NO. | DOCUMENT NO. | SHEET NO. | |
| | | ANGULAR ± 3 ° | DRAFT WHERE APPLICABLE MUST REMAIN WITHIN DIMENSIONS | | SEE SHEETS 5 | | SD-47272-001 | | 6 OF 8 | |
| | | | | | THIS DRAWING CONTAINS INFORMATION THAT IS PROPRIETARY TO MOLEX INCORPORATED AND SHOULD NOT BE USED WITHOUT WRITTEN PERMISSION | | | | | |

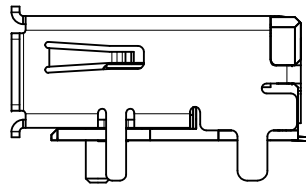
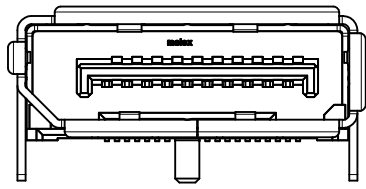
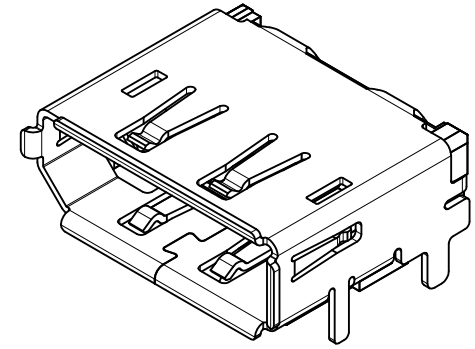
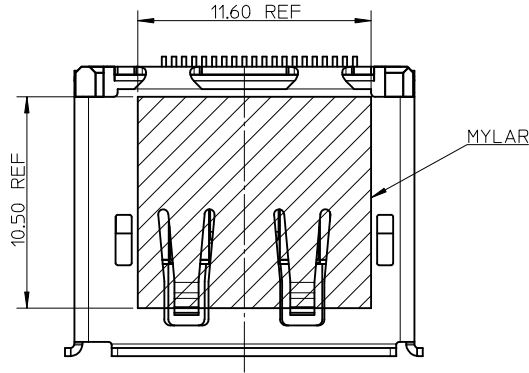
9 8 7 6 5 4 3 2 1



- NOTES:
1. UNSPECIFIC DIMENSION ARE SAME AS SHEET1
 2. THE RECOMMENDER PCB ARE SAME AS SHEET1

| | | | | | | | | | | |
|--|--------------------|--|---------------------------------------|--------------|---|--------------------|--|------------------------|--|--|
| REVISED EC NO: SH2010-0353 DRW: HHE 2010/03/08 CHK: D-FYANG05 2010/03/24 APPR: RZHANG 2010/03/29 | DESCRIPTION REV | QUALITY SYMBOLS | GENERAL TOLERANCES (UNLESS SPECIFIED) | | DIMENSION STYLE | SCALE | DESIGN UNITS | THIRD ANGLE PROJECTION | | |
| | | | mm | INCH | MM ONLY | 1:1 | METRIC | | | |
| | | $\nabla = 0$ | 4 PLACES ± --- | ± --- | DRAWN BY | DATE | TITLE | | | |
| | | $\nabla = 0$ | 3 PLACES ± --- | ± --- | RZHANG | 2005/07/01 | 1.0MM PITCH DISPLAY PORT RECEPTACLE ASSEMBLY | | | |
| | $\nabla = 0$ | 2 PLACES ± 0.25 | ± --- | CHECKED BY | DATE | MOLEX INCORPORATED | | | | |
| | 1 PLACE ± 0.25 | ± --- | IWANG | 2005/07/01 | | | | | | |
| | | ANGULAR ± 3 ° | | APPROVED BY | DATE | DOCUMENT NO. | | SHEET NO. | | |
| | | DRAFT WHERE APPLICABLE MUST REMAIN WITHIN DIMENSIONS | | RZHANG | 2010/03/26 | SD-47272-001 | | 7 OF 8 | | |
| | | | | MATERIAL NO. | SEE SHEETS 5 | | | | | |
| | | | | SIZE | THIS DRAWING CONTAINS INFORMATION THAT IS PROPRIETARY TO MOLEX INCORPORATED AND SHOULD NOT BE USED WITHOUT WRITTEN PERMISSION | | | | | |

STANDARD TYPE WITH MYLAR



NOTES:

- 1. UNSPECIFIC DIMENSION ARE SAME AS SHEET1
- 2. THE RECOMMENDER PCB ARE SAME AS SHEET1

| | | | | | | | | | | |
|---|--|--------------------|--|---|--|--|---|--------------|------------------------|------------------------|
| REVISED EC NO: SH2010-0353 DRWN: HHE CHKD: FYANG05 APPR: RZHANG | 2010/03/08 2010/03/24 2010/03/29 | DESCRIPTION REV | QUALITY SYMBOLS | GENERAL TOLERANCES (UNLESS SPECIFIED) | | DIMENSION STYLE MM ONLY | | SCALE 4:1 | DESIGN UNITS METRIC | THIRD ANGLE PROJECTION |
| | | | $\nabla = 0$ $\nabla = 0$ $\nabla = 0$ | mm INCH 4 PLACES ± --- ± --- 3 PLACES ± --- ± --- 2 PLACES ± 0.25 ± --- 1 PLACE ± 0.25 ± --- | DRAWN BY: RZHANG CHECKED BY: IWANG APPROVED BY: RZHANG | DATE: 2005/07/01 DATE: 2005/07/01 DATE: 2010/03/26 | TITLE 1.0MM PITCH DISPLAY PORT RECEPTACLE ASSEMBLY | | | |
| | | | ANGULAR ± 3 ° | | MATERIAL NO. SEE SHEETS 5 | | MOLEX INCORPORATED | | | |
| | | | DRAFT WHERE APPLICABLE MUST REMAIN WITHIN DIMENSIONS | | SIZE A3 | | DOCUMENT NO. SD-47272-001 | | SHEET NO. 8 OF 8 | |

Компания «Life Electronics» занимается поставками электронных компонентов импортного и отечественного производства от производителей и со складов крупных дистрибьюторов Европы, Америки и Азии.

С конца 2013 года компания активно расширяет линейку поставок компонентов по направлению коаксиальный кабель, кварцевые генераторы и конденсаторы (керамические, пленочные, электролитические), за счёт заключения дистрибьюторских договоров

Мы предлагаем:

- Конкурентоспособные цены и скидки постоянным клиентам.
- Специальные условия для постоянных клиентов.
- Подбор аналогов.
- Поставку компонентов в любых объемах, удовлетворяющих вашим потребностям.
- Приемлемые сроки поставки, возможна ускоренная поставка.
- Доставку товара в любую точку России и стран СНГ.
- Комплексную поставку.
- Работу по проектам и поставку образцов.
- Формирование склада под заказчика.
- Сертификаты соответствия на поставляемую продукцию (по желанию клиента).
- Тестирование поставляемой продукции.
- Поставку компонентов, требующих военную и космическую приемку.
- Входной контроль качества.
- Наличие сертификата ISO.

В составе нашей компании организован Конструкторский отдел, призванный помогать разработчикам, и инженерам.

Конструкторский отдел помогает осуществить:

- Регистрацию проекта у производителя компонентов.
- Техническую поддержку проекта.
- Защиту от снятия компонента с производства.
- Оценку стоимости проекта по компонентам.
- Изготовление тестовой платы монтаж и пусконаладочные работы.



Тел: +7 (812) 336 43 04 (многоканальный)
Email: org@lifeelectronics.ru