
ALPHA WIRE COMPANY
CUSTOMER PRODUCT SPECIFICATION

Part Number: 507F
Page 1 of 2 Pages

Issue: 5
Issue Date: 4/4/2006
Effective Date: 5/30/2006

A. Cordage Construction

- 1) Conductor
 - a) Material Bare Copper, per ASTM B-3
 - b) AWG, Stranding 18 (41/34) AWG; Finer stranding may be used.
- 2) Insulation
 - a) Material PVC
 - b) Nominal Diameter 0.077
- 3) Core Assembly
 - a) Number of Conductors 3
 - b) Color Code Blue, Brown & Green/Yellow. The insulation colors are to be readily distinguishable from one another and consistent over their length and circumference.
[Note: The stripe of the Green/Yellow insulation shall be 50% +/- 20%.]
 - c) Fillers Optional
 - d) Shield Aluminum/Polyester, Foil Facing In, 25% Minimum Overlap
 - e) Drain Wire 22 (7/30) AWG Tinned Copper; Finer stranding may be used.
- 4) Jacket
 - a) Material PVC
 - b) Surface Finish Smooth, non-striated
 - c) Nominal Diameter 0.260
 - d) Color Black
 - e) UL, CSA Type SVT
 - f) Jacket Marking Per UL Standard 62 and CSA C22.2 No. 49.

B. Cord Configuration

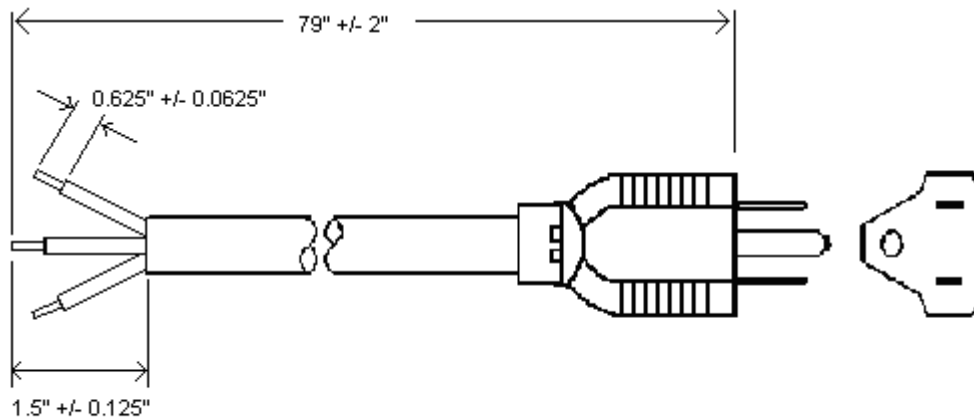
- 1) End 1 Molded Vinyl Grounding Plug, NEMA 5-15P
- 2) End 2 Jacket Stripped 1.5" +/- .125"
Insulation Stripped 0.625" +/- 0.0625"
- 3) Mold Color Black
- 4) Overall Length 79" +/- 2"

Although Alpha Wire Company ("Alpha") makes every reasonable effort to ensure their accuracy at the time of this publication, information and specifications described herein are subject to error or omission and to change without notice, and the listing of such information and specifications does not ensure product availability.
Alpha provides the information and specifications herein on an "AS IS" basis, with no representations or warranties, whether express, statutory or implied. In no event will Alpha be liable for any damages (including consequential, indirect, incidental, special, punitive, or exemplary damages) whatsoever, even if Alpha has been advised of the possibility of such damages, whether in an action under contract, negligence or any other theory, arising out of or in connection with the use, or inability to use, the information or specifications described herein.

ALPHA WIRE COMPANY
CUSTOMER PRODUCT SPECIFICATION

Part Number: 507F
Page 2 of 2 Pages

Issue: 5
Issue Date: 4/4/2006
Effective Date: 5/30/2006



C. Industry Approvals and Ratings

- | | |
|-----------------------------------|---|
| 1) UL | UL Standards 62 & 817 |
| 2) CSA | CSA Standards C22.2 No. 21 and No. 49 |
| 3) Cord Set Rating | 1250 Watts 10A-125V |
| 4) Temperature Rating | 60°C, Minimum |
| 5) EU Directive 2002/95/EC(RoHS): | All materials used in the manufacture and packaging of this part meet the requirement of EU Directive 2002/95/EU regarding the restriction of use of certain hazardous substances in electrical and electronic equipment. |
| 6) California Proposition 65: | The outer surface materials of this product are in accordance with CA Proposition 65 and contain no greater than 300 ppm of lead and meet all other chemical constraints as outlined in CA Proposition 65. |

D. Packaging

- | | |
|---------------------|-----------------------------|
| 1) Standard Package | 25 Pieces, placed in Carton |
|---------------------|-----------------------------|

Although Alpha Wire Company ("Alpha") makes every reasonable effort to ensure their accuracy at the time of this publication, information and specifications described herein are subject to error or omission and to change without notice, and the listing of such information and specifications does not ensure product availability. Alpha provides the information and specifications herein on an "AS IS" basis, with no representations or warranties, whether express, statutory or implied. In no event will Alpha be liable for any damages (including consequential, indirect, incidental, special, punitive, or exemplary damages) whatsoever, even if Alpha has been advised of the possibility of such damages, whether in an action under contract, negligence or any other theory, arising out of or in connection with the use, or inability to use, the information or specifications described herein.

Компания «Life Electronics» занимается поставками электронных компонентов импортного и отечественного производства от производителей и со складов крупных дистрибьюторов Европы, Америки и Азии.

С конца 2013 года компания активно расширяет линейку поставок компонентов по направлению коаксиальный кабель, кварцевые генераторы и конденсаторы (керамические, пленочные, электролитические), за счёт заключения дистрибьюторских договоров

Мы предлагаем:

- Конкурентоспособные цены и скидки постоянным клиентам.
- Специальные условия для постоянных клиентов.
- Подбор аналогов.
- Поставку компонентов в любых объемах, удовлетворяющих вашим потребностям.
- Приемлемые сроки поставки, возможна ускоренная поставка.
- Доставку товара в любую точку России и стран СНГ.
- Комплексную поставку.
- Работу по проектам и поставку образцов.
- Формирование склада под заказчика.
- Сертификаты соответствия на поставляемую продукцию (по желанию клиента).
- Тестирование поставляемой продукции.
- Поставку компонентов, требующих военную и космическую приемку.
- Входной контроль качества.
- Наличие сертификата ISO.

В составе нашей компании организован Конструкторский отдел, призванный помогать разработчикам, и инженерам.

Конструкторский отдел помогает осуществить:

- Регистрацию проекта у производителя компонентов.
- Техническую поддержку проекта.
- Защиту от снятия компонента с производства.
- Оценку стоимости проекта по компонентам.
- Изготовление тестовой платы монтаж и пусконаладочные работы.



Тел: +7 (812) 336 43 04 (многоканальный)

Email: org@lifeelectronics.ru