

LM339, LM239, LM2901, LM2901V, NCV2901, MC3302

Single Supply Quad Comparators

These comparators are designed for use in level detection, low-level sensing and memory applications in consumer, automotive, and industrial electronic applications.

Features

- Single or Split Supply Operation
- Low Input Bias Current: 25 nA (Typ)
- Low Input Offset Current: ± 5.0 nA (Typ)
- Low Input Offset Voltage
- Input Common Mode Voltage Range to GND
- Low Output Saturation Voltage: 130 mV (Typ) @ 4.0 mA
- TTL and CMOS Compatible
- ESD Clamps on the Inputs Increase Reliability without Affecting Device Operation
- NCV Prefix for Automotive and Other Applications Requiring Site and Control Changes
- These Devices are Pb-Free, Halogen Free/BFR Free and are RoHS Compliant



ON Semiconductor®

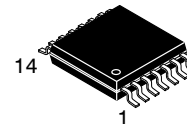
<http://onsemi.com>



**SOIC-14
D SUFFIX
CASE 751A**

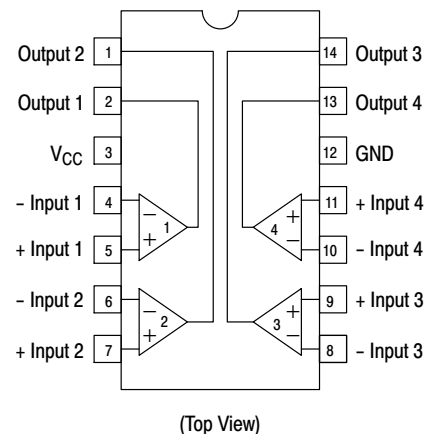


**PDIP-14
N, P SUFFIX
CASE 646**



**TSSOP-14
DTB SUFFIX
CASE 948G**

PIN CONNECTIONS



ORDERING INFORMATION

See detailed ordering and shipping information in the package dimensions section on page 7 of this data sheet.

DEVICE MARKING INFORMATION

See general marking information in the device marking section on page 8 of this data sheet.

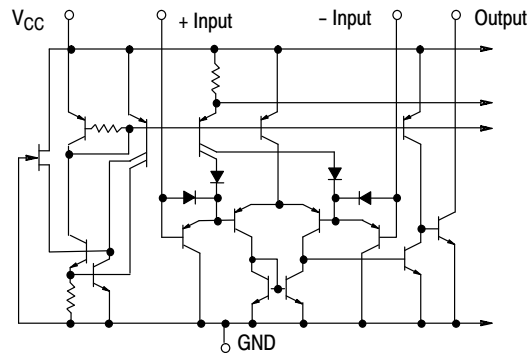
LM339, LM239, LM2901, LM2901V, NCV2901, MC3302

MAXIMUM RATINGS

Rating	Symbol	Value	Unit
Power Supply Voltage LM239/LM339/LM2901, V MC3302	V_{CC}	+36 or ± 18 +30 or ± 15	Vdc
Input Differential Voltage Range LM239/LM339/LM2901, V MC3302	V_{IDR}	36 30	Vdc
Input Common Mode Voltage Range	V_{ICMR}	-0.3 to V_{CC}	Vdc
Output Short Circuit to Ground (Note 1)	I_{SC}	Continuous	
Power Dissipation @ $T_A = 25^\circ\text{C}$ Plastic Package Derate above 25°C	P_D $1/R_{\theta JA}$	1.0 8.0	W mW/ $^\circ\text{C}$
Junction Temperature	T_J	150	$^\circ\text{C}$
Operating Ambient Temperature Range LM239 MC3302 LM2901 LM2901V, NCV2901 LM339	T_A	-25 to +85 -40 to +85 -40 to +105 -40 to +125 0 to +70	$^\circ\text{C}$
Storage Temperature Range	T_{stg}	-65 to +150	$^\circ\text{C}$
ESD Protection at any Pin (Note 2) Human Body Model Machine Model	V_{ESD}	1500 200	V

Stresses exceeding Maximum Ratings may damage the device. Maximum Ratings are stress ratings only. Functional operation above the Recommended Operating Conditions is not implied. Extended exposure to stresses above the Recommended Operating Conditions may affect device reliability.

- The maximum output current may be as high as 20 mA, independent of the magnitude of V_{CC} . Output short circuits to V_{CC} can cause excessive heating and eventual destruction.
- V_{ESD} rating for NCV/SC devices is: Human Body Model – 2000 V; Machine Model – 200 V.



NOTE: Diagram shown is for 1 comparator.

Figure 1. Circuit Schematic

LM339, LM239, LM2901, LM2901V, NCV2901, MC3302

ELECTRICAL CHARACTERISTICS ($V_{CC} = +5.0$ Vdc, $T_A = +25^\circ\text{C}$, unless otherwise noted)

Characteristic	Symbol	LM239/339			LM2901/2901V/ NCV2901			MC3302			Unit
		Min	Typ	Max	Min	Typ	Max	Min	Typ	Max	
Input Offset Voltage (Note 4)	V_{IO}	-	± 2.0	± 5.0	-	± 2.0	± 7.0	-	± 3.0	± 20	mVdc
Input Bias Current (Notes 4, 5) (Output in Analog Range)	I_{IB}	-	25	250	-	25	250	-	25	500	nA
Input Offset Current (Note 4)	I_{IO}	-	± 5.0	± 50	-	± 5.0	± 50	-	± 3.0	± 100	nA
Input Common Mode Voltage Range	V_{ICMR}	0	-	$V_{CC} - 1.5$	0	-	$V_{CC} - 1.5$	0	-	$V_{CC} - 1.5$	V
Supply Current $R_L = \infty$ (For All Comparators) $R_L = \infty$, $V_{CC} = 30$ Vdc	I_{CC}	-	0.8 1.0	2.0 2.5	-	0.8 1.0	2.0 2.5	-	0.8 1.0	2.0 2.5	mA
Voltage Gain $R_L \geq 15$ k Ω , $V_{CC} = 15$ Vdc	A_{VOL}	50	200	-	25	100	-	25	100	-	V/mV
Large Signal Response Time $V_I =$ TTL Logic Swing, $V_{ref} = 1.4$ Vdc, $V_{RL} = 5.0$ Vdc, $R_L = 5.1$ k Ω	-	-	300	-	-	300	-	-	300	-	ns
Response Time (Note 6) $V_{RL} = 5.0$ Vdc, $R_L = 5.1$ k Ω	-	-	1.3	-	-	1.3	-	-	1.3	-	μs
Output Sink Current $V_I(-) \geq +1.0$ Vdc, $V_I(+)$ = 0, $V_O \leq 1.5$ Vdc	I_{Sink}	6.0	16	-	6.0	16	-	6.0	16	-	mA
Saturation Voltage $V_I(-) \geq +1.0$ Vdc, $V_I(+)$ = 0, $I_{sink} \leq 4.0$ mA	V_{sat}	-	130	400	-	130	400	-	130	500	mV
Output Leakage Current $V_I(+)$ $\geq +1.0$ Vdc, $V_I(-)$ = 0, $V_O = +5.0$ Vdc	I_{OL}	-	0.1	-	-	0.1	-	-	0.1	-	nA

3. (LM239) $T_{low} = -25^\circ\text{C}$, $T_{high} = +85^\circ$
 (LM339) $T_{low} = 0^\circ\text{C}$, $T_{high} = +70^\circ\text{C}$
 (MC3302) $T_{low} = -40^\circ\text{C}$, $T_{high} = +85^\circ\text{C}$
 (LM2901) $T_{low} = -40^\circ\text{C}$, $T_{high} = +105^\circ$
 (LM2901V & NCV2901) $T_{low} = -40^\circ\text{C}$, $T_{high} = +125^\circ\text{C}$
NCV2901 is qualified for automotive use.
4. At the output switch point, $V_O \approx 1.4$ Vdc, $R_S \leq 100 \Omega$ 5.0 Vdc $\leq V_{CC} \leq 30$ Vdc, with the inputs over the full common mode range (0 Vdc to $V_{CC} - 1.5$ Vdc).
5. The bias current flows out of the inputs due to the PNP input stage. This current is virtually constant, independent of the output state.
6. The response time specified is for a 100 mV input step with 5.0 mV overdrive. For larger signals, 300 ns is typical.

LM339, LM239, LM2901, LM2901V, NCV2901, MC3302

PERFORMANCE CHARACTERISTICS $(V_{CC} = +5.0 \text{ Vdc}, T_A = T_{low} \text{ to } T_{high} \text{ [Note 7]})$

Characteristic	Symbol	LM239/339			LM2901/2901V/ NCV2901			MC3302			Unit
		Min	Typ	Max	Min	Typ	Max	Min	Typ	Max	
Input Offset Voltage (Note 8)	V_{IO}	-	-	± 9.0	-	-	± 15	-	-	± 40	mVdc
Input Bias Current (Notes 8, 9) (Output in Analog Range)	I_{IB}	-	-	400	-	-	500	-	-	1000	nA
Input Offset Current (Note 8)	I_{IO}	-	-	± 150	-	-	± 200	-	-	± 300	nA
Input Common Mode Voltage Range	V_{ICMR}	0	-	$V_{CC} - 2.0$	0	-	$V_{CC} - 2.0$	0	-	$V_{CC} - 2.0$	V
Saturation Voltage $V_{I(-)} \geq +1.0 \text{ Vdc}, V_{I(+)} = 0,$ $I_{sink} \leq 4.0 \text{ mA}$	V_{sat}	-	-	700	-	-	700	-	-	700	mV
Output Leakage Current $V_{I(+)} \geq +1.0 \text{ Vdc}, V_{I(-)} = 0,$ $V_O = 30 \text{ Vdc}$	I_{OL}	-	-	1.0	-	-	1.0	-	-	1.0	μA
Differential Input Voltage All $V_I \geq 0 \text{ Vdc}$	V_{ID}	-	-	V_{CC}	-	-	V_{CC}	-	-	V_{CC}	Vdc

7. (LM239) $T_{low} = -25^\circ\text{C}, T_{high} = +85^\circ\text{C}$
 (LM339) $T_{low} = 0^\circ\text{C}, T_{high} = +70^\circ\text{C}$
 (MC3302) $T_{low} = -40^\circ\text{C}, T_{high} = +85^\circ\text{C}$
 (LM2901) $T_{low} = -40^\circ\text{C}, T_{high} = +105^\circ\text{C}$
 (LM2901V & NCV2901) $T_{low} = -40^\circ\text{C}, T_{high} = +125^\circ\text{C}$
NCV2901 is qualified for automotive use.
8. At the output switch point, $V_O \approx 1.4 \text{ Vdc}, R_S \leq 100 \Omega, 5.0 \text{ Vdc} \leq V_{CC} \leq 30 \text{ Vdc}$, with the inputs over the full common mode range (0 Vdc to $V_{CC} - 1.5 \text{ Vdc}$).
9. The bias current flows out of the inputs due to the PNP input stage. This current is virtually constant, independent of the output state.
10. The response time specified is for a 100 mV input step with 5.0 mV overdrive. For larger signals, 300 ns is typical.

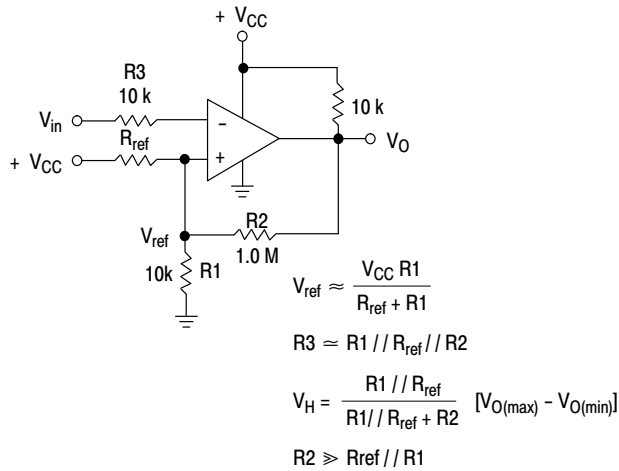


Figure 2. Inverting Comparator with Hysteresis



Figure 3. Noninverting Comparator with Hysteresis

Typical Characteristics

($V_{CC} = 15 \text{ Vdc}$, $T_A = +25^\circ\text{C}$ (each comparator) unless otherwise noted.)



Figure 4. Normalized Input Offset Voltage

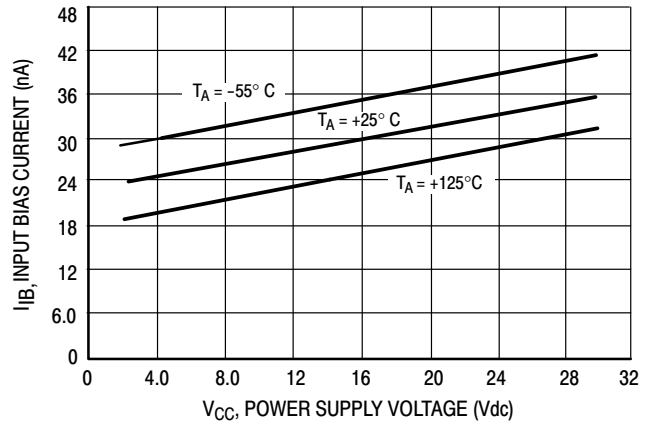


Figure 5. Input Bias Current



Figure 6. Output Sink Current versus Output Saturation Voltage



Logic	Device	V_{CC} (V)	R_L (k Ω)
CMOS	1/4 MC14001	+15	100
TTL	1/4 MC7400	+5.0	10

Figure 7. Driving Logic

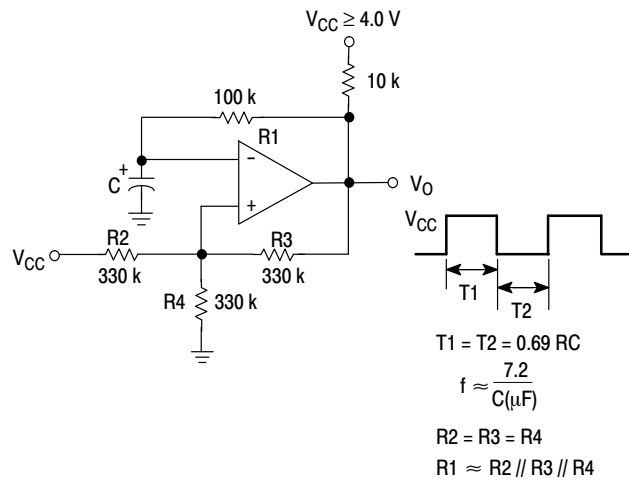


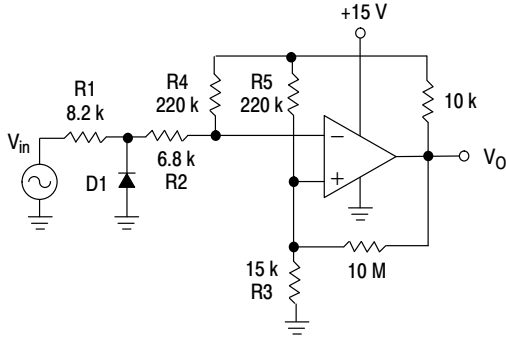
Figure 8. Squarewave Oscillator

APPLICATIONS INFORMATION

These quad comparators feature high gain, wide bandwidth characteristics. This gives the device oscillation tendencies if the outputs are capacitively coupled to the inputs via stray capacitance. This oscillation manifests itself during output transitions (V_{OL} to V_{OH}). To alleviate this situation input resistors $< 10\text{ k}\Omega$ should be used. The

addition of positive feedback ($< 10\text{ mV}$) is also recommended. It is good design practice to ground all unused input pins.

Differential input voltages may be larger than supply voltages without damaging the comparator's inputs. Voltages more negative than -300 mV should not be used.



D1 prevents input from going negative by more than 0.6 V .
 $R1 + R2 = R3$
 $R3 \leq \frac{R5}{10}$ for small error in zero crossing

Figure 9. Zero Crossing Detector (Single Supply)

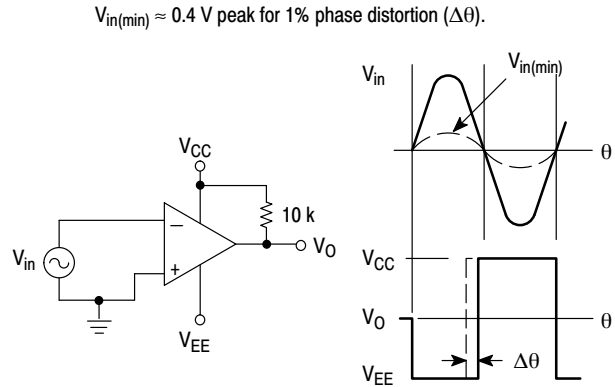


Figure 10. Zero Crossing Detector (Split Supplies)

LM339, LM239, LM2901, LM2901V, NCV2901, MC3302

ORDERING INFORMATION

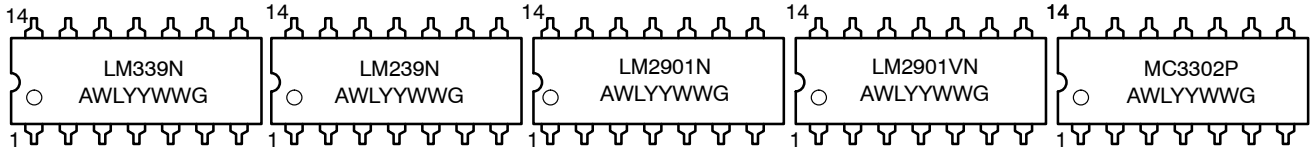
Device	Package	Shipping†
LM239DG	SOIC-14	55 Units/Tube
LM239DR2G	SOIC-14	2500 / Tape & Reel
LM239DTBR2G	TSSOP-14	
LM239NG	PDIP-14	25 Units/Rail
LM339DG	SOIC-14	55 Units/Tube
LM339DR2G	SOIC-14	2500 / Tape & Reel
LM339DTBR2G	TSSOP-14	
LM339NG	PDIP-14	25 Units/Rail
LM2901DG	SOIC-14	55 Units/Rail
LM2901DR2G	SOIC-14	2500 / Tape & Reel
LM2901DTBR2G	TSSOP-14	
LM2901NG	PDIP-14	25 Units/Rail
LM2901VDG	SOIC-14	55 Units/Tube
LM2901VDR2G	SOIC-14	2500 / Tape & Reel
LM2901VDTBR2G	TSSOP-14	
LM2901VNG	PDIP-14	25 Units/Rail
NCV2901DR2G	SOIC-14	2500 / Tape & Reel
NCV2901DTBR2G	TSSOP-14	
NCV2901CTR	Bare Die	6000 / Tape & Reel
MC3302DG	SOIC-14	55 Units/Tube
MC3302DR2G	SOIC-14	2500 / Tape & Reel
MC3302DTBR2G	TSSOP-14	
MC3302PG	PDIP-14	25 Units/Rail

†For information on tape and reel specifications, including part orientation and tape sizes, please refer to our Tape and Reel Packaging Specifications Brochure, BRD8011/D.

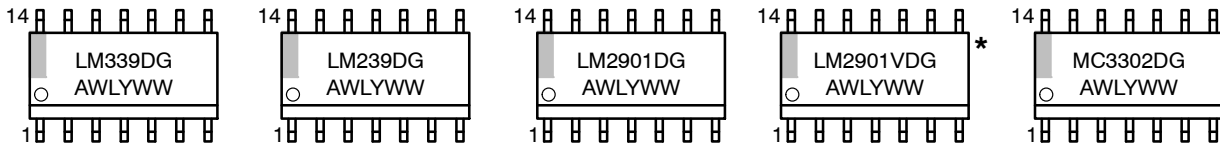
LM339, LM239, LM2901, LM2901V, NCV2901, MC3302

MARKING DIAGRAMS

PDIP-14 N, P SUFFIX CASE 646



SOIC-14 D SUFFIX CASE 751A



TSSOP-14 DTB SUFFIX CASE 948G



A = Assembly Location
 WL, L = Wafer Lot
 YY, Y = Year
 WW, W = Work Week
 G or ■ = Pb-Free Package

(Note: Microdot may be in either location)

*This marking diagram also applies to NCV2901.

PACKAGE DIMENSIONS

PDIP-14
CASE 646-06
ISSUE P



NOTES:

1. DIMENSIONING AND TOLERANCING PER ANSI Y14.5M, 1982.
2. CONTROLLING DIMENSION: INCH.
3. DIMENSION L TO CENTER OF LEADS WHEN FORMED PARALLEL.
4. DIMENSION B DOES NOT INCLUDE MOLD FLASH.
5. ROUNDED CORNERS OPTIONAL.

DIM	INCHES		MILLIMETERS	
	MIN	MAX	MIN	MAX
A	0.715	0.770	18.16	19.56
B	0.240	0.260	6.10	6.60
C	0.145	0.185	3.69	4.69
D	0.015	0.021	0.38	0.53
F	0.040	0.070	1.02	1.78
G	0.100 BSC		2.54 BSC	
H	0.052	0.095	1.32	2.41
J	0.008	0.015	0.20	0.38
K	0.115	0.135	2.92	3.43
L	0.290	0.310	7.37	7.87
M	---	10°	---	10°
N	0.015	0.039	0.38	1.01

PACKAGE DIMENSIONS

SOIC-14
CASE 751A-03
ISSUE H

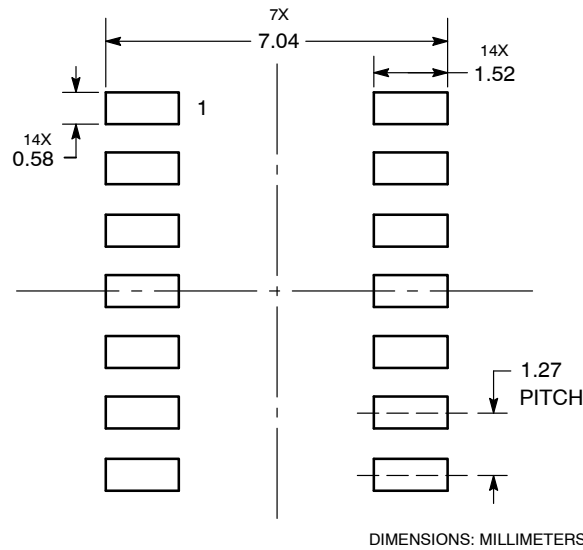


NOTES:

1. DIMENSIONING AND TOLERANCING PER ANSI Y14.5M, 1982.
2. CONTROLLING DIMENSION: MILLIMETER.
3. DIMENSIONS A AND B DO NOT INCLUDE MOLD PROTRUSION.
4. MAXIMUM MOLD PROTRUSION 0.15 (0.006) PER SIDE.
5. DIMENSION D DOES NOT INCLUDE DAMBAR PROTRUSION. ALLOWABLE DAMBAR PROTRUSION SHALL BE 0.127 (0.005) TOTAL IN EXCESS OF THE D DIMENSION AT MAXIMUM MATERIAL CONDITION.

DIM	MILLIMETERS		INCHES	
	MIN	MAX	MIN	MAX
A	8.55	8.75	0.337	0.344
B	3.80	4.00	0.150	0.157
C	1.35	1.75	0.054	0.068
D	0.35	0.49	0.014	0.019
F	0.40	1.25	0.016	0.049
G	1.27 BSC		0.050 BSC	
J	0.19	0.25	0.008	0.009
K	0.10	0.25	0.004	0.009
M	0°	7°	0°	7°
P	5.80	6.20	0.228	0.244
R	0.25	0.50	0.010	0.019

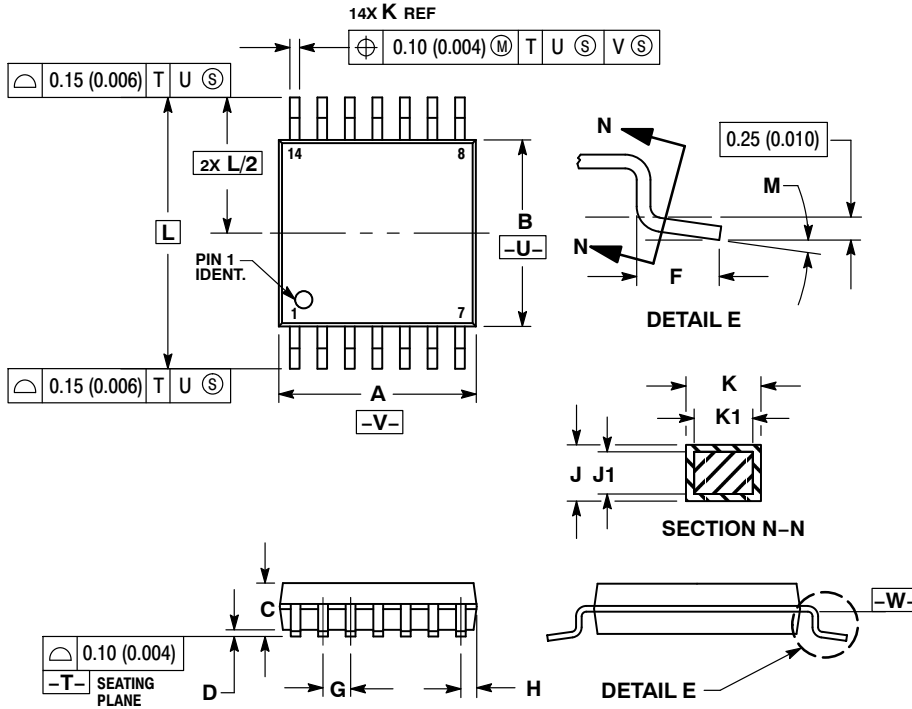
SOLDERING FOOTPRINT*



*For additional information on our Pb-Free strategy and soldering details, please download the ON Semiconductor Soldering and Mounting Techniques Reference Manual, SOLDERRM/D.

PACKAGE DIMENSIONS

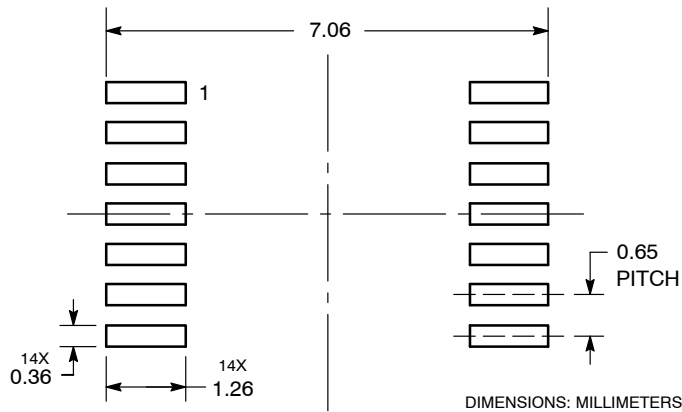
TSSOP-14
CASE 948G-01
ISSUE B



- NOTES:
1. DIMENSIONING AND TOLERANCING PER ANSI Y14.5M, 1982.
 2. CONTROLLING DIMENSION: MILLIMETER.
 3. DIMENSION A DOES NOT INCLUDE MOLD FLASH, PROTRUSIONS OR GATE BURRS. MOLD FLASH OR GATE BURRS SHALL NOT EXCEED 0.15 (0.006) PER SIDE.
 4. DIMENSION B DOES NOT INCLUDE INTERLEAD FLASH OR PROTRUSION. INTERLEAD FLASH OR PROTRUSION SHALL NOT EXCEED 0.25 (0.010) PER SIDE.
 5. DIMENSION K DOES NOT INCLUDE DAMBAR PROTRUSION. ALLOWABLE DAMBAR PROTRUSION SHALL BE 0.08 (0.003) TOTAL IN EXCESS OF THE K DIMENSION AT MAXIMUM MATERIAL CONDITION.
 6. TERMINAL NUMBERS ARE SHOWN FOR REFERENCE ONLY.
 7. DIMENSION A AND B ARE TO BE DETERMINED AT DATUM PLANE -V-.

DIM	MILLIMETERS		INCHES	
	MIN	MAX	MIN	MAX
A	4.90	5.10	0.193	0.200
B	4.30	4.50	0.169	0.177
C	---	1.20	---	0.047
D	0.05	0.15	0.002	0.006
F	0.50	0.75	0.020	0.030
G	0.65 BSC		0.026 BSC	
H	0.50	0.60	0.020	0.024
J	0.09	0.20	0.004	0.008
J1	0.09	0.16	0.004	0.006
K	0.19	0.30	0.007	0.012
K1	0.19	0.25	0.007	0.010
L	6.40 BSC		0.252 BSC	
M	0°	8°	0°	8°

SOLDERING FOOTPRINT*



*For additional information on our Pb-Free strategy and soldering details, please download the ON Semiconductor Soldering and Mounting Techniques Reference Manual, SOLDERRM/D.

ON Semiconductor and  are registered trademarks of Semiconductor Components Industries, LLC (SCILLC). SCILLC reserves the right to make changes without further notice to any products herein. SCILLC makes no warranty, representation or guarantee regarding the suitability of its products for any particular purpose, nor does SCILLC assume any liability arising out of the application or use of any product or circuit, and specifically disclaims any and all liability, including without limitation special, consequential or incidental damages. "Typical" parameters which may be provided in SCILLC data sheets and/or specifications can and do vary in different applications and actual performance may vary over time. All operating parameters, including "Typicals" must be validated for each customer application by customer's technical experts. SCILLC does not convey any license under its patent rights nor the rights of others. SCILLC products are not designed, intended, or authorized for use as components in systems intended for surgical implant into the body, or other applications intended to support or sustain life, or for any other application in which the failure of the SCILLC product could create a situation where personal injury or death may occur. Should Buyer purchase or use SCILLC products for any such unintended or unauthorized application, Buyer shall indemnify and hold SCILLC and its officers, employees, subsidiaries, affiliates, and distributors harmless against all claims, costs, damages, and expenses, and reasonable attorney fees arising out of, directly or indirectly, any claim of personal injury or death associated with such unintended or unauthorized use, even if such claim alleges that SCILLC was negligent regarding the design or manufacture of the part. SCILLC is an Equal Opportunity/Affirmative Action Employer. This literature is subject to all applicable copyright laws and is not for resale in any manner.

PUBLICATION ORDERING INFORMATION

LITERATURE FULFILLMENT:

Literature Distribution Center for ON Semiconductor
P.O. Box 5163, Denver, Colorado 80217 USA
Phone: 303-675-2175 or 800-344-3860 Toll Free USA/Canada
Fax: 303-675-2176 or 800-344-3867 Toll Free USA/Canada
Email: orderlit@onsemi.com

N. American Technical Support: 800-282-9855 Toll Free
USA/Canada
Europe, Middle East and Africa Technical Support:
Phone: 421 33 790 2910
Japan Customer Focus Center
Phone: 81-3-5773-3850

ON Semiconductor Website: www.onsemi.com
Order Literature: <http://www.onsemi.com/orderlit>
For additional information, please contact your local
Sales Representative

Компания «Life Electronics» занимается поставками электронных компонентов импортного и отечественного производства от производителей и со складов крупных дистрибьюторов Европы, Америки и Азии.

С конца 2013 года компания активно расширяет линейку поставок компонентов по направлению коаксиальный кабель, кварцевые генераторы и конденсаторы (керамические, пленочные, электролитические), за счёт заключения дистрибьюторских договоров

Мы предлагаем:

- Конкуренспособные цены и скидки постоянным клиентам.
- Специальные условия для постоянных клиентов.
- Подбор аналогов.
- Поставку компонентов в любых объемах, удовлетворяющих вашим потребностям.
- Приемлемые сроки поставки, возможна ускоренная поставка.
- Доставку товара в любую точку России и стран СНГ.
- Комплексную поставку.
- Работу по проектам и поставку образцов.
- Формирование склада под заказчика.
- Сертификаты соответствия на поставляемую продукцию (по желанию клиента).
- Тестирование поставляемой продукции.
- Поставку компонентов, требующих военную и космическую приемку.
- Входной контроль качества.
- Наличие сертификата ISO.

В составе нашей компании организован Конструкторский отдел, призванный помогать разработчикам, и инженерам.

Конструкторский отдел помогает осуществить:

- Регистрацию проекта у производителя компонентов.
- Техническую поддержку проекта.
- Защиту от снятия компонента с производства.
- Оценку стоимости проекта по компонентам.
- Изготовление тестовой платы монтаж и пусконаладочные работы.



Тел: +7 (812) 336 43 04 (многоканальный)
Email: org@lifeelectronics.ru