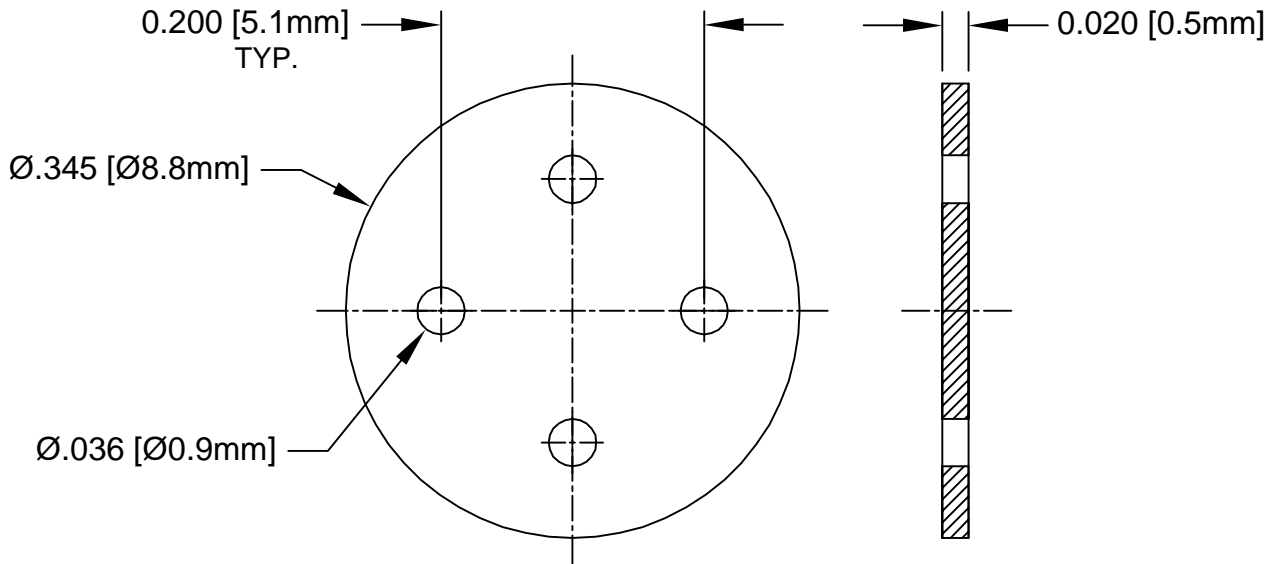




REV.	DESCRIPTION	DATE	APPROVED
B	Engineering Update w/o Changes	02/23/04	M. C.



- 2. MATERIAL: NYLON 6/6, 94V-2, WHITE. BIVAR MATERIAL CODE 04-WE.
BASF ULTRAMID NYLON 6/6 A3K WHITE.
- 1. GENERAL SPECIFICATIONS: BIVAR MOLDED COMPONENT SPECIFICATION BV00-E101.

STANDARD TOLERANCE (UNLESS OTHERWISE SPECIFIED) DECIMALS ANGULAR .X ± .1 X° ± 1° .XX ± .01 .XXX ± .005		 BIVAR [®] 4 THOMAS, IRVINE, CA. 92618 TEL: (949) 951-8808 FAX: (949) 951-3974	
DESIGNED: Shane Irving		DATE: 12/08/98	
CHECKED: D. Green		DATE: 02/23/04	
		TITLE: PERM-O-PAD TO-5 MOUNT	
DESIGNED: Shane Irving		DATE: 12/08/98	REVISION: B
CHECKED: D. Green		DATE: 02/23/04	PART NO: 515-020
DESIGNED: Shane Irving		DATE: 12/08/98	REVISION: B
CHECKED: D. Green		DATE: 02/23/04	PART NO: 515-020
DESIGNED: Shane Irving		DATE: 12/08/98	REVISION: B
CHECKED: D. Green		DATE: 02/23/04	PART NO: 515-020
DESIGNED: Shane Irving		DATE: 12/08/98	REVISION: B
CHECKED: D. Green		DATE: 02/23/04	PART NO: 515-020
DESIGNED: Shane Irving		DATE: 12/08/98	REVISION: B
CHECKED: D. Green		DATE: 02/23/04	PART NO: 515-020
DESIGNED: Shane Irving		DATE: 12/08/98	REVISION: B
CHECKED: D. Green		DATE: 02/23/04	PART NO: 515-020
DESIGNED: Shane Irving		DATE: 12/08/98	REVISION: B
CHECKED: D. Green		DATE: 02/23/04	PART NO: 515-020
DESIGNED: Shane Irving		DATE: 12/08/98	REVISION: B
CHECKED: D. Green		DATE: 02/23/04	PART NO: 515-020
DESIGNED: Shane Irving		DATE: 12/08/98	REVISION: B
CHECKED: D. Green		DATE: 02/23/04	PART NO: 515-020
DESIGNED: Shane Irving		DATE: 12/08/98	REVISION: B
CHECKED: D. Green		DATE: 02/23/04	PART NO: 515-020
DESIGNED: Shane Irving		DATE: 12/08/98	REVISION: B
CHECKED: D. Green		DATE: 02/23/04	PART NO: 515-020
DESIGNED: Shane Irving		DATE: 12/08/98	REVISION: B
CHECKED: D. Green		DATE: 02/23/04	PART NO: 515-020
DESIGNED: Shane Irving		DATE: 12/08/98	REVISION: B
CHECKED: D. Green		DATE: 02/23/04	PART NO: 515-020
DESIGNED: Shane Irving		DATE: 12/08/98	REVISION: B
CHECKED: D. Green		DATE: 02/23/04	PART NO: 515-020
DESIGNED: Shane Irving		DATE: 12/08/98	REVISION: B
CHECKED: D. Green		DATE: 02/23/04	PART NO: 515-020
DESIGNED: Shane Irving		DATE: 12/08/98	REVISION: B
CHECKED: D. Green		DATE: 02/23/04	PART NO: 515-020
DESIGNED: Shane Irving		DATE: 12/08/98	REVISION: B
CHECKED: D. Green		DATE: 02/23/04	PART NO: 515-020
DESIGNED: Shane Irving		DATE: 12/08/98	REVISION: B
CHECKED: D. Green		DATE: 02/23/04	PART NO: 515-020
DESIGNED: Shane Irving		DATE: 12/08/98	REVISION: B
CHECKED: D. Green		DATE: 02/23/04	PART NO: 515-020
DESIGNED: Shane Irving		DATE: 12/08/98	REVISION: B
CHECKED: D. Green		DATE: 02/23/04	PART NO: 515-020
DESIGNED: Shane Irving		DATE: 12/08/98	REVISION: B
CHECKED: D. Green		DATE: 02/23/04	PART NO: 515-020
DESIGNED: Shane Irving		DATE: 12/08/98	REVISION: B
CHECKED: D. Green		DATE: 02/23/04	PART NO: 515-020
DESIGNED: Shane Irving		DATE: 12/08/98	REVISION: B
CHECKED: D. Green		DATE: 02/23/04	PART NO: 515-020
DESIGNED: Shane Irving		DATE: 12/08/98	REVISION: B
CHECKED: D. Green		DATE: 02/23/04	PART NO: 515-020
DESIGNED: Shane Irving		DATE: 12/08/98	REVISION: B
CHECKED: D. Green		DATE: 02/23/04	PART NO: 515-020
DESIGNED: Shane Irving		DATE: 12/08/98	REVISION: B
CHECKED: D. Green		DATE: 02/23/04	PART NO: 515-020
DESIGNED: Shane Irving		DATE: 12/08/98	REVISION: B
CHECKED: D. Green		DATE: 02/23/04	PART NO: 515-020
DESIGNED: Shane Irving		DATE: 12/08/98	REVISION: B
CHECKED: D. Green		DATE: 02/23/04	PART NO: 515-020
DESIGNED: Shane Irving		DATE: 12/08/98	REVISION: B
CHECKED: D. Green		DATE: 02/23/04	PART NO: 515-020
DESIGNED: Shane Irving		DATE: 12/08/98	REVISION: B
CHECKED: D. Green		DATE: 02/23/04	PART NO: 515-020
DESIGNED: Shane Irving		DATE: 12/08/98	REVISION: B
CHECKED: D. Green		DATE: 02/23/04	PART NO: 515-020
DESIGNED: Shane Irving		DATE: 12/08/98	REVISION: B
CHECKED: D. Green		DATE: 02/23/04	PART NO: 515-020
DESIGNED: Shane Irving		DATE: 12/08/98	REVISION: B
CHECKED: D. Green		DATE: 02/23/04	PART NO: 515-020
DESIGNED: Shane Irving		DATE: 12/08/98	REVISION: B
CHECKED: D. Green		DATE: 02/23/04	PART NO: 515-020
DESIGNED: Shane Irving		DATE: 12/08/98	REVISION: B
CHECKED: D. Green		DATE: 02/23/04	PART NO: 515-020
DESIGNED: Shane Irving		DATE: 12/08/98	REVISION: B
CHECKED: D. Green		DATE: 02/23/04	PART NO: 515-020
DESIGNED: Shane Irving		DATE: 12/08/98	REVISION: B
CHECKED: D. Green		DATE: 02/23/04	PART NO: 515-020
DESIGNED: Shane Irving		DATE: 12/08/98	REVISION: B
CHECKED: D. Green		DATE: 02/23/04	PART NO: 515-020
DESIGNED: Shane Irving		DATE: 12/08/98	REVISION: B
CHECKED: D. Green		DATE: 02/23/04	PART NO: 515-020
DESIGNED: Shane Irving		DATE: 12/08/98	REVISION: B
CHECKED: D. Green		DATE: 02/23/04	PART NO: 515-020
DESIGNED: Shane Irving		DATE: 12/08/98	REVISION: B
CHECKED: D. Green		DATE: 02/23/04	PART NO: 515-020
DESIGNED: Shane Irving		DATE: 12/08/98	REVISION: B
CHECKED: D. Green		DATE: 02/23/04	PART NO: 515-020
DESIGNED: Shane Irving		DATE: 12/08/98	REVISION: B
CHECKED: D. Green		DATE: 02/23/04	PART NO: 515-020
DESIGNED: Shane Irving		DATE: 12/08/98	REVISION: B
CHECKED: D. Green		DATE: 02/23/04	PART NO: 515-020
DESIGNED: Shane Irving		DATE: 12/08/98	REVISION: B
CHECKED: D. Green		DATE: 02/23/04	PART NO: 515-020
DESIGNED: Shane Irving		DATE: 12/08/98	REVISION: B
CHECKED: D. Green		DATE: 02/23/04	PART NO: 515-020
DESIGNED: Shane Irving		DATE: 12/08/98	REVISION: B
CHECKED: D. Green		DATE: 02/23/04	PART NO: 515-020
DESIGNED: Shane Irving		DATE: 12/08/98	REVISION: B
CHECKED: D. Green		DATE: 02/23/04	PART NO: 515-020
DESIGNED: Shane Irving		DATE: 12/08/98	REVISION: B
CHECKED: D. Green		DATE: 02/23/04	PART NO: 515-020
DESIGNED: Shane Irving		DATE: 12/08/98	REVISION: B
CHECKED: D. Green		DATE: 02/23/04	PART NO: 515-020
DESIGNED: Shane Irving		DATE: 12/08/98	REVISION: B
CHECKED: D. Green		DATE: 02/23/04	PART NO: 515-020
DESIGNED: Shane Irving		DATE: 12/08/98	REVISION: B
CHECKED: D. Green		DATE: 02/23/04	PART NO: 515-020
DESIGNED: Shane Irving		DATE: 12/08/98	REVISION: B
CHECKED: D. Green		DATE: 02/23/04	PART NO: 515-020
DESIGNED: Shane Irving		DATE: 12/08/98	REVISION: B
CHECKED: D. Green		DATE: 02/23/04	PART NO: 515-020
DESIGNED: Shane Irving		DATE: 12/08/98	REVISION: B
CHECKED: D. Green		DATE: 02/23/04	PART NO: 515-020
DESIGNED: Shane Irving		DATE: 12/08/98	REVISION: B
CHECKED: D. Green		DATE: 02/23/04	PART NO: 515-020
DESIGNED: Shane Irving		DATE: 12/08/98	REVISION: B
CHECKED: D. Green		DATE: 02/23/04	PART NO: 515-020
DESIGNED: Shane Irving		DATE: 12/08/98	REVISION: B
CHECKED: D.			

Компания «Life Electronics» занимается поставками электронных компонентов импортного и отечественного производства от производителей и со складов крупных дистрибьюторов Европы, Америки и Азии.

С конца 2013 года компания активно расширяет линейку поставок компонентов по направлению коаксиальный кабель, кварцевые генераторы и конденсаторы (керамические, пленочные, электролитические), за счёт заключения дистрибьюторских договоров

Мы предлагаем:

- Конкурентоспособные цены и скидки постоянным клиентам.
- Специальные условия для постоянных клиентов.
- Подбор аналогов.
- Поставку компонентов в любых объемах, удовлетворяющих вашим потребностям.
- Приемлемые сроки поставки, возможна ускоренная поставка.
- Доставку товара в любую точку России и стран СНГ.
- Комплексную поставку.
- Работу по проектам и поставку образцов.
- Формирование склада под заказчика.
- Сертификаты соответствия на поставляемую продукцию (по желанию клиента).
- Тестирование поставляемой продукции.
- Поставку компонентов, требующих военную и космическую приемку.
- Входной контроль качества.
- Наличие сертификата ISO.

В составе нашей компании организован Конструкторский отдел, призванный помогать разработчикам, и инженерам.

Конструкторский отдел помогает осуществить:

- Регистрацию проекта у производителя компонентов.
- Техническую поддержку проекта.
- Защиту от снятия компонента с производства.
- Оценку стоимости проекта по компонентам.
- Изготовление тестовой платы монтаж и пусконаладочные работы.



Тел: +7 (812) 336 43 04 (многоканальный)
Email: org@lifeelectronics.ru