

Operational Amplifiers Series

Ground Sense Operational Amplifiers



BA3404xxx

●General Description

BA3404 is a dual operational amplifier with input and output ground sense. Especially, BA3404 have wide operating voltage range +4V to +36V (single supply). BA3404 have a good performance of slew rate and cross over distortion compare with BA2904.

●Features

- Operable with a single power supply
- Wide operating supply voltage
- Input and output are operable GND sense
- Low supply current
- High open loop voltage gain
- Internal ESD protection circuit

●Application

- Current sense application
- Buffer application amplifier
- Active filter
- Consumer electronics

●Block Diagrams

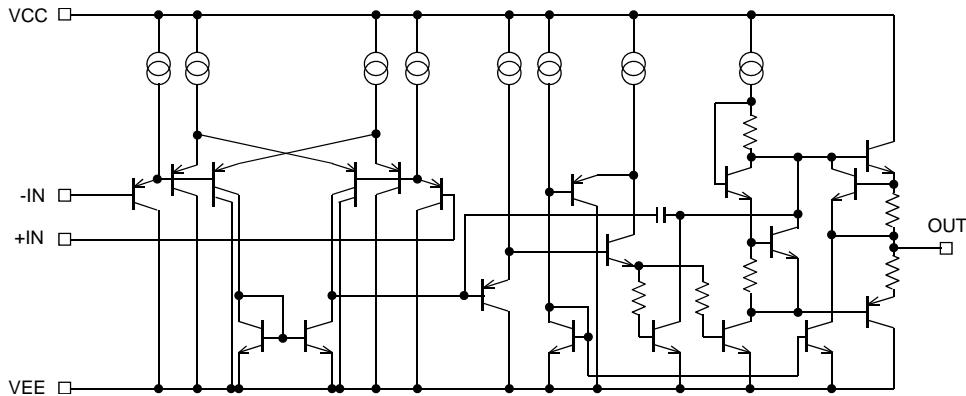


Figure 1. Simplified schematic

●Packages

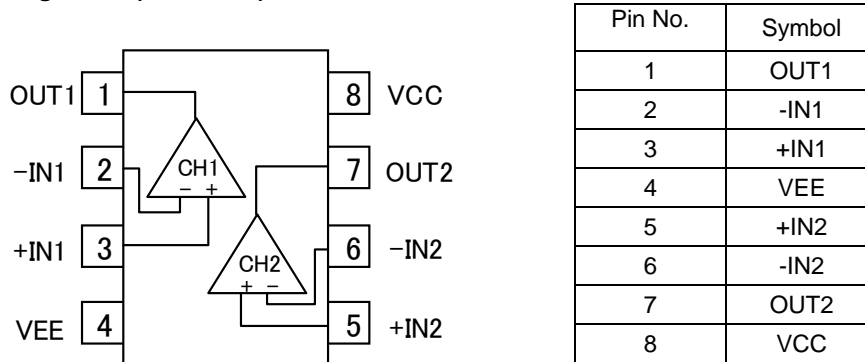
| Package | W(Typ.)xD(Typ.) xH(Max.) |
|---------|--------------------------|
| SOP8 | 5.00mm x 6.20mm x 1.71mm |
| SOP-J8 | 4.90mm x 6.00mm x 1.65mm |
| MSOP8 | 2.90mm x 4.00mm x 0.90mm |

●Key Specification

- Wide Operating Supply Voltage
(single supply): +4.0V to +36.0V
(split supply): ±2.0V to ±18.0V
- Slew Rate: 1.2V/μs(Typ.)
- Wide Temperature Range: -40°C to +85°C
- Input Offset Current: 5nA (Typ.)
- Input Offset Voltage: 5mV (Max.)

○Product structure : Silicon monolithic integrated circuit ○This product is not designed protection against radioactive rays.

●Pin Configuration(TOP VIEW)



| Package | | |
|---------|----------|-----------|
| SOP8 | SOP-J8 | MSOP8 |
| BA3404F | BA3404FJ | BA3404FVM |

●Ordering Information

| | | | | | | | | | | | | |
|---------------------------|---|---|---|---|---|---|---|---|---|---|---|--|
| B | A | 3 | 4 | 0 | 4 | x | x | x | - | x | x | |
| Part Number. BA3404xxx | | | | | | | | | Package F : SOP8 FJ : SOP-J8 FVM : MSOP8 | | Packaging and forming specification E2: Embossed tape and reel (SOP8/SOP-J8) TR: Embossed tape and reel (MSOP8) | |

●Line-up

| Topr | Supply Current (Typ.) | Slew Rate (Typ.) | Package | | Orderable Part Number |
|----------------|-----------------------|------------------|---------|--------------|-----------------------|
| | | | | | |
| -40°C to +85°C | 2.0mA | 1.2V/μs | SOP8 | Reel of 2500 | BA3404F-E2 |
| | | | SOP-J8 | Reel of 2500 | BA3404FJ-E2 |
| | | | MSOP8 | Reel of 3000 | BA3404FVM-TR |

●Absolute Maximum Ratings (Ta=25°C)

| Parameter | Symbol | Ratings | Unit | |
|--|---------|-----------------------|---------------------|----|
| Supply Voltage | VCC-VEE | +36 | V | |
| Power dissipation | Pd | SOP8 | 780 ^{*1*4} | mW |
| | | SOP-J8 | 675 ^{*2*4} | |
| | | MSOP8 | 590 ^{*3*4} | |
| Differential Input Voltage ^{*5} | Vid | +36 | V | |
| Input Common-mode Voltage Range | Vicm | (VEE-0.3) to (VEE+36) | V | |
| Operating Temperature Range | Topr | -40 to +85 | °C | |
| Storage Temperature Range | Tstg | -55 to +150 | °C | |
| Maximum Junction Temperature | Tjmax | +150 | °C | |

Note: Absolute maximum rating item indicates the condition which must not be exceeded.

Application if voltage in excess of absolute maximum rating or use out of absolute maximum rated temperature environment may cause deterioration of characteristics.

*1 To use at temperature above Ta=25°C reduce 6.2mW/°C

*2 To use at temperature above Ta=25°C reduce 5.4mW/°C

*3 To use at temperature above Ta=25°C reduce 4.8mW/°C

*4 Mounted on a FR4 glass epoxy PCB(70mm×70mm×1.6mm).

*5 The voltage difference between inverting input and non-inverting input is the differential input voltage. Then input terminal voltage is set to more than VEE.

●Electrical Characteristics

OBA3404 (Unless otherwise specified VCC=+15V, VEE=-15V, Ta=25°C)

| Parameter | Symbol | Limits | | | Unit | Condition |
|---------------------------------|----------------|--------|------|------|------|---|
| | | Min. | Typ. | Max. | | |
| Input Offset Voltage *6 | Vio | - | 2 | 5 | mV | VOUT=0V, Vicm=0V |
| Input Offset Current *6 | Iio | - | 5 | 50 | nA | VOUT=0V, Vicm=0V |
| Input Bias Current *6 | Ib | - | 70 | 200 | nA | VOUT=0V, Vicm=0V |
| Large Signal Voltage Gain | Av | 88 | 100 | - | dB | RL ≥ 2kΩ VOUT=±10V, Vicm=0V |
| Maximum Output Voltage | VOM | ±13 | ±14 | - | V | RL ≥ 2kΩ |
| Input Common-mode Voltage Range | Vicm | -15 | - | 13 | V | VOUT=0V |
| Common-mode Rejection Ratio | CMRR | 70 | 90 | - | dB | VOUT=0V Vicm=-15V to +13V |
| Power Supply Rejection Ratio | PSRR | 80 | 94 | - | dB | Ri ≤ 10kΩ VCC=+4V to +30V |
| Supply Current | ICC | - | 2.0 | 3.5 | mA | RL=∞, All Op-Amps VIN+=0V |
| Output Source Current | Isource | 20 | 30 | - | mA | VIN+=1V, VIN-=0V VOUT=+12V Output of one channel only |
| Output Sink Current | Isink | 10 | 20 | - | mA | VIN+=0V, VIN-=1V VOUT=-12V Output of one channel only |
| Slew rate | SR | - | 1.2 | - | V/μs | Av=0dB, RL=2kΩ CL=100pF |
| Unity Gain Frequency | f _T | - | 1.2 | - | MHz | RL=2kΩ |
| Gain Band Width | GBW | - | 1.2 | - | MHz | f=100kHz |
| Total Harmonic Distortion | THD+N | - | 0.1 | - | % | VOUT=10V _{p,p} , f=20kHz Av=0dB, RL=2kΩ |
| Channel Separation | CS | - | 100 | - | dB | f=1kHz, input referred |

*6 Absolute value

Description of Electrical Characteristics

Described here are the terms of electric characteristics used in this datasheet. Items and symbols used are also shown. Note that item name and symbol and their meaning may differ from those on another manufacture's document or general document.

1. Absolute maximum ratings

Absolute maximum rating item indicates the condition which must not be exceeded. Application of voltage in excess of absolute maximum rating or use out of absolute maximum rated temperature environment may cause deterioration of characteristics.

1.1 Power supply voltage (VCC-VEE)

Indicates the maximum voltage that can be applied between the positive power supply terminal and negative power supply terminal without deterioration or destruction of characteristics of internal circuit.

1.2 Differential input voltage (Vid)

Indicates the maximum voltage that can be supplied between the non-inverting and inverting terminals without damaging the IC.

1.3 Input common-mode voltage range (Vicm)

Indicates the maximum voltage that can be applied to non-inverting terminal and inverting terminal without deterioration or destruction of characteristics. Input common-mode voltage range of the maximum ratings not assures normal operation of IC. When normal Operation of IC is desired, the input common-mode voltage of characteristics item must be followed.

1.4 Power dissipation (Pd)

Indicates the power that can be consumed by specified mounted board at the ambient temperature 25°C(normal temperature). As for package product, Pd is determined by the temperature that can be permitted by IC chip in the package (maximum junction temperature) and thermal resistance of the package.

2. Electrical characteristics

2.1 Input offset voltage (Vio)

Indicates the voltage difference between non-inverting terminal and inverting terminal. It can be translated into the input voltage difference required for setting the output voltage at 0 V.

2.2 Input offset current (Iio)

Indicates the difference of input bias current between the non-inverting and inverting terminals.

2.3 Input bias current (Ib)

Indicates the current that flows into or out of the input terminal. It is defined by the average of input bias current at non-inverting terminal and input bias current at inverting terminal.

2.4 Large signal voltage gain (Av)

Indicates the amplifying rate (gain) of output voltage against the voltage difference between non-inverting terminal and inverting terminal. It is normally the amplifying rate (gain) with reference to DC voltage.

$$A_v = (\text{Output voltage fluctuation}) / (\text{Input offset fluctuation})$$

2.5 Maximum Output Voltage (VOM)

Signifies the voltage range that can be output under specific output conditions.

2.6 Input common-mode voltage range (Vicm)

Indicates the input voltage range under which the IC operates normally.

2.7 Common-mode rejection ratio (CMRR)

Indicates the ratio of fluctuation of input offset voltage when in-phase input voltage is changed. It is normally the fluctuation of DC.

$$CMRR = (\text{Change of Input common-mode voltage}) / (\text{Input offset fluctuation})$$

2.8 Power supply rejection ratio (PSRR)

Indicates the ratio of fluctuation of input offset voltage when supply voltage is changed. It is normally the fluctuation of DC. $PSRR = (\text{Change of power supply voltage}) / (\text{Input offset fluctuation})$

2.9 Circuit current (ICC)

Indicates the IC current that flows under specified conditions and no-load steady status.

2.10 Output source current/ output sink current (Isource/Isink)

The maximum current that can be output under specific output conditions, it is divided into output source current and output sink current. The output source current indicates the current flowing out of the IC, and the output sink current the current flowing into the IC.

2.11 Slew Rate (SR)

SR is a parameter that shows movement speed of operational amplifier. It indicates rate of variable output voltage as unit time.

2.12 Unity gain frequency (f_T)

Indicates a frequency where the voltage gain of operational amplifier is 1.

2.13 Total harmonic distortion + Noise (THD+N)

Indicates the fluctuation of input offset voltage or that of output voltage with reference to the change of output voltage of driven channel.

2.14 Gain Band Width (GBW)

Indicates to multiply by the frequency and the gain where the voltage gain decreases 6dB/octave.

● Typical Performance Curves

OBA3404

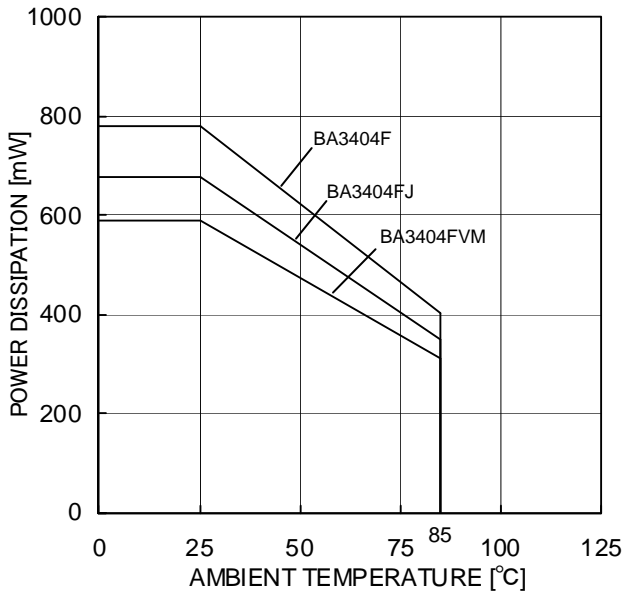


Figure 2.
Derating Curve

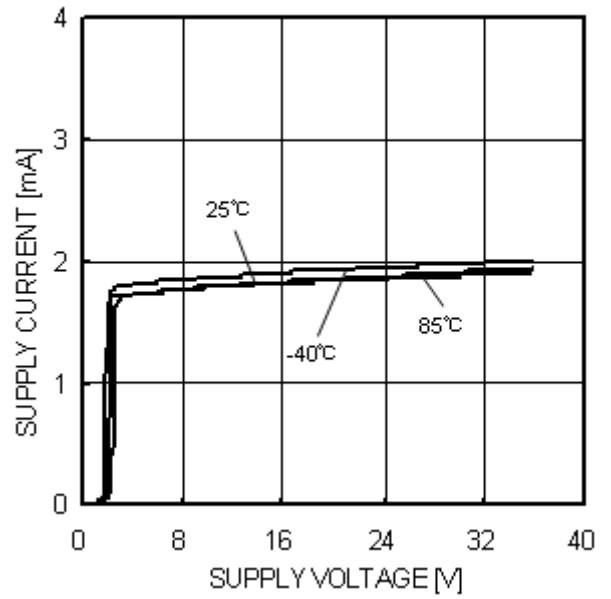


Figure 3.
Supply Current - Supply Voltage

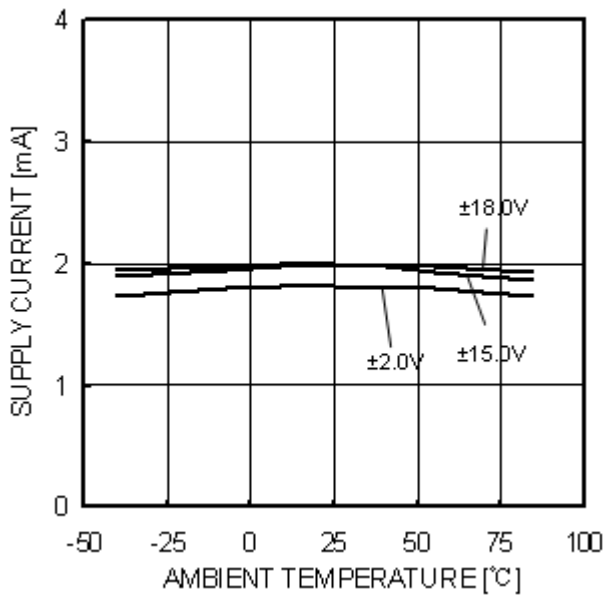


Figure 4.
Supply Current - Ambient Temperature

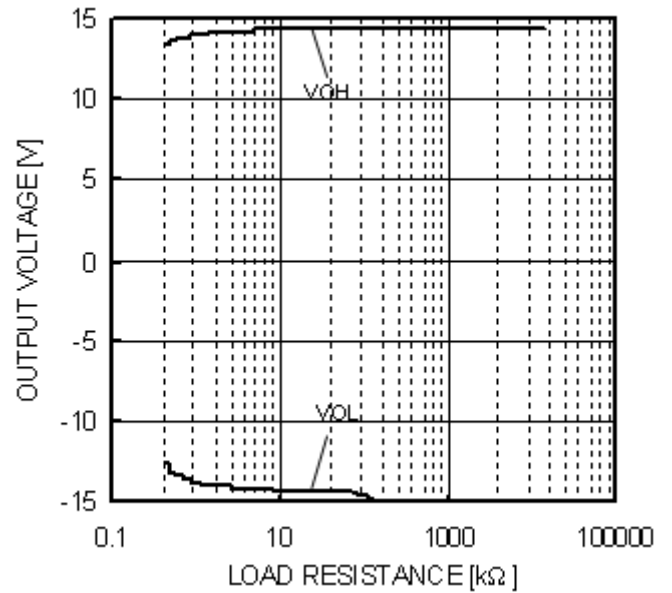


Figure 5.
Maximum Output Voltage - Load Resistance
(VCC/VEE=+15V/-15V, Ta=25°C)

(*The above data is measurement value of typical sample, it is not guaranteed.

OBA3404

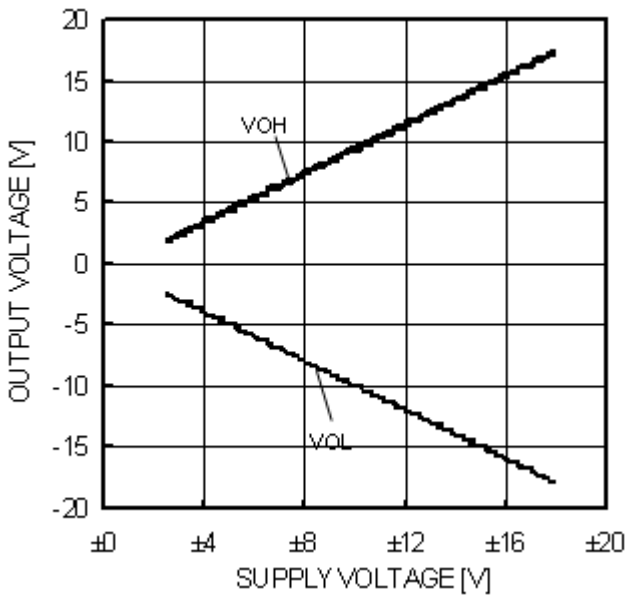


Figure 6.
Maximum Output Voltage – Supply Voltage

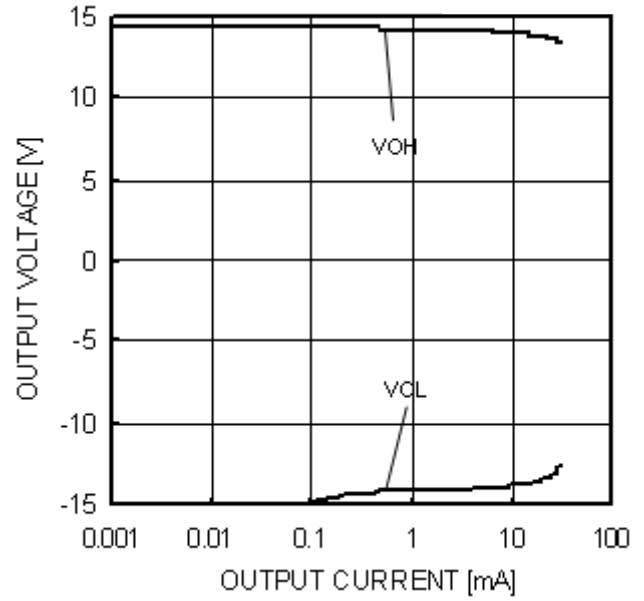


Figure 7.
Output Voltage - Output Current
(VCC/VEE=+15V/-15V, Ta=25°C)

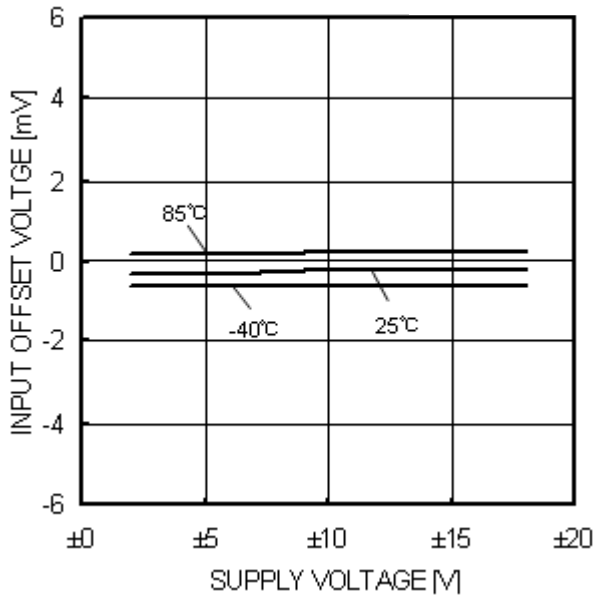


Figure 8.
Input Offset Voltage - Supply voltage
(Vicm=0V, VOUT=0V)

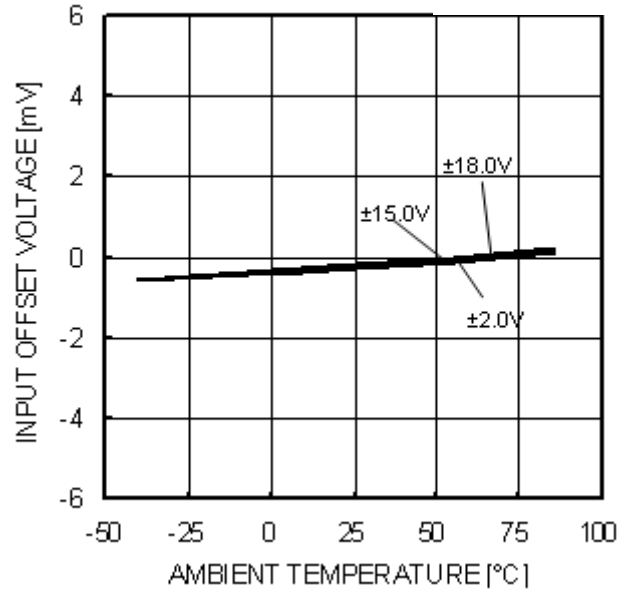


Figure 9.
Input Offset Voltage - Ambient Temperature
(Vicm=0V, VOUT=0V)

(*)The above data is measurement value of typical sample, it is not guaranteed.

OBA3404

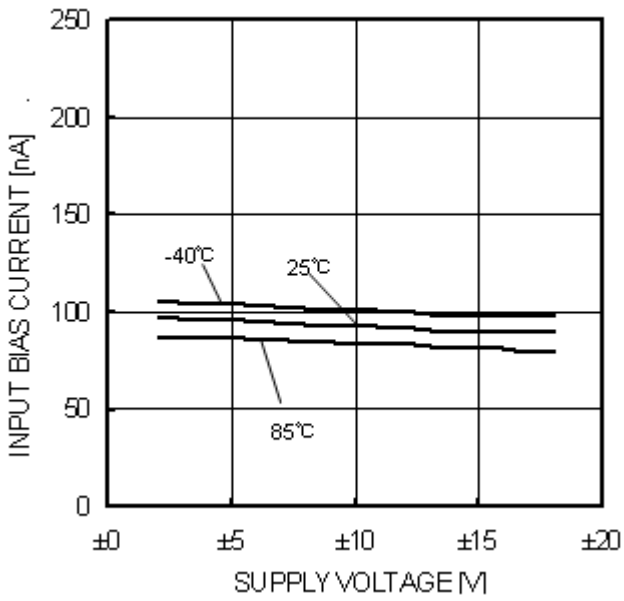


Figure 10.
Input Bias Current - Supply Voltage
(Vicm=0V, VOUT=0V)

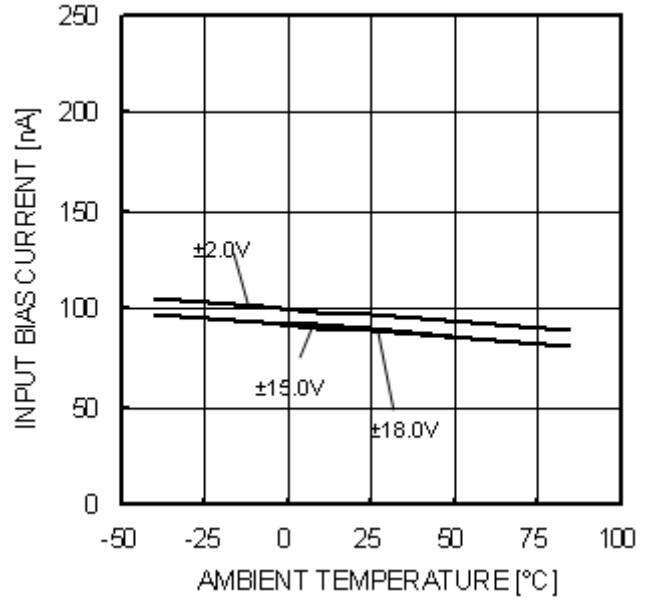


Figure 11.
Input Bias Current - Ambient Temperature
(Vicm=0V, VOUT=0V)

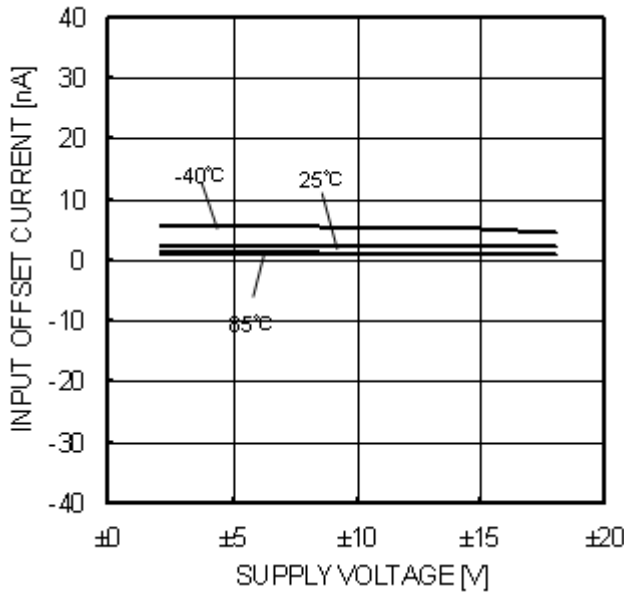


Figure 12.
Input Offset Current - Supply Voltage
(Vicm=0V, VOUT=0V)

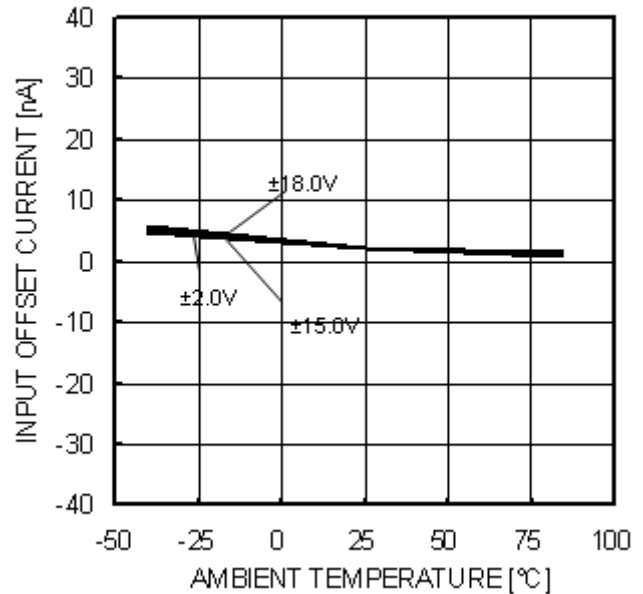


Figure 13.
Input Offset Current - Ambient Temperature
(Vicm=0V, VOUT=0V)

(*The above data is measurement value of typical sample, it is not guaranteed.

OBA3404

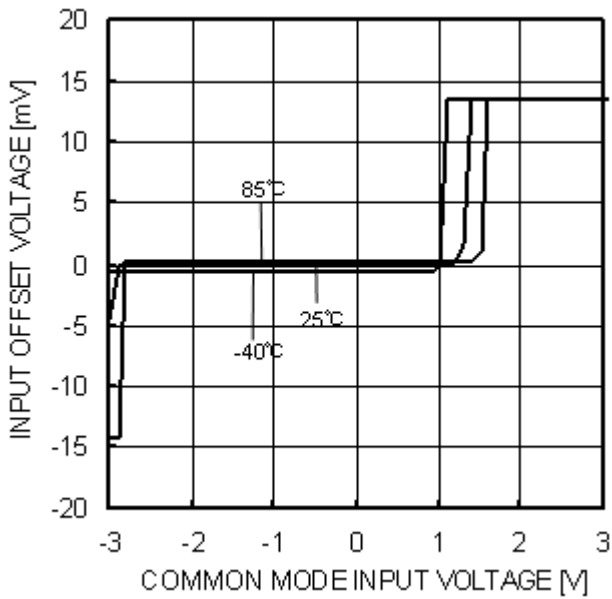


Figure 14.
Input Offset Voltage
- Common Mode Input Voltage
(VCC/VEE=+2.5V/-2.5V)

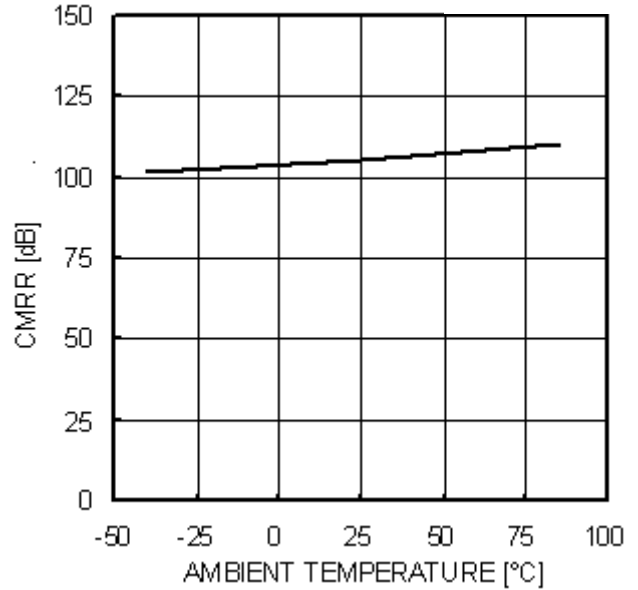


Figure 15.
Common Mode Rejection Ratio
- Ambient Temperature
(VCC/VEE=+15V/-15V)

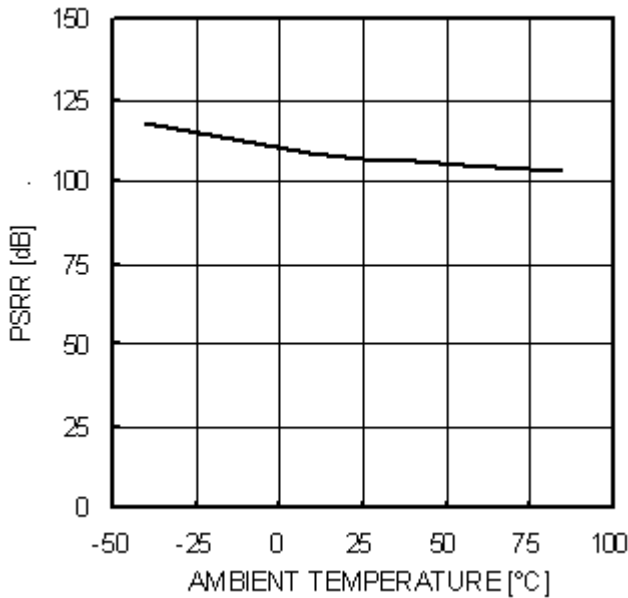


Figure 16.
Common Mode Rejection Ratio
- Ambient Temperature
(VCC/VEE=+15V/-15V)

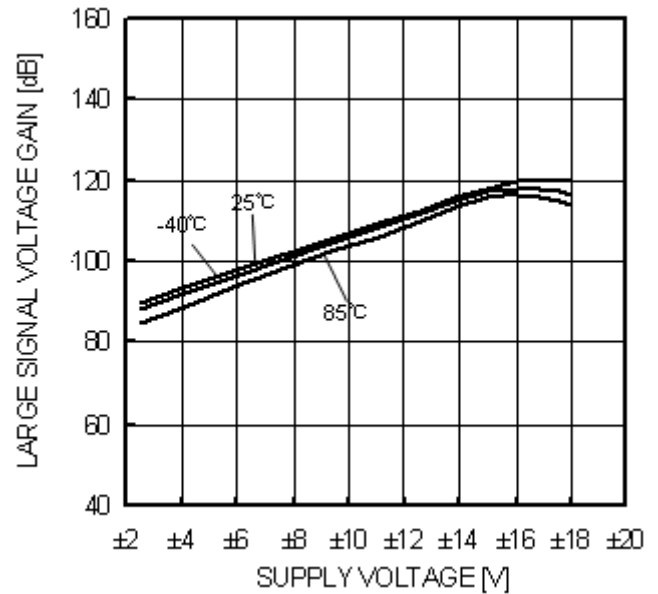


Figure 17.
Large Signal Voltage Gain
- Supply Voltage (RL=2kΩ)

(*)The above data is measurement value of typical sample, it is not guaranteed.

OBA3404

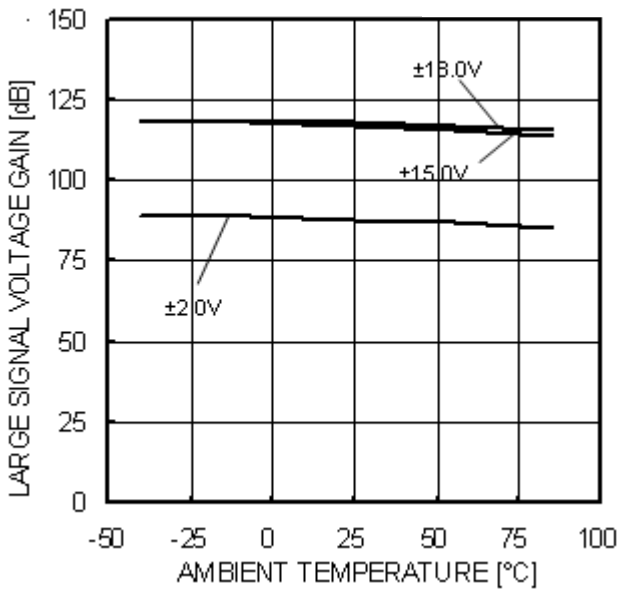


Figure 18.
Large Signal Voltage Gain
- Ambient Temperature (RL=2kΩ)

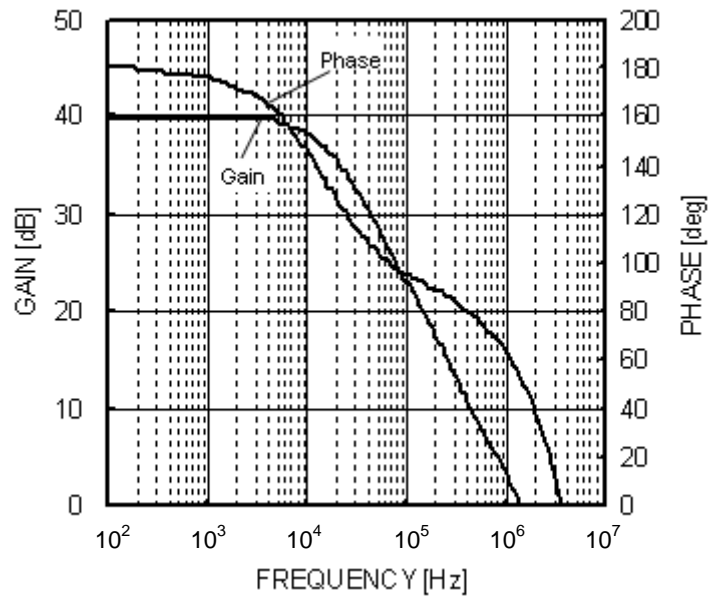


Figure 19.
Voltage Gain · Phase - Frequency
(VCC=±15V)

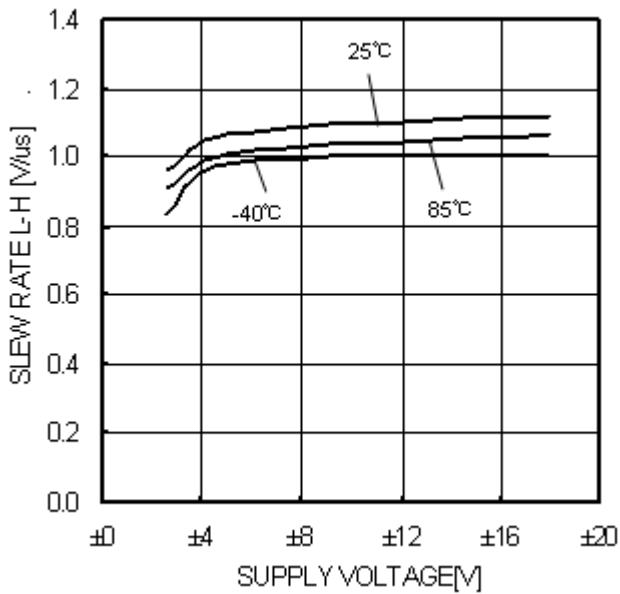


Figure 20.
Slew Rate L-H - Supply Voltage

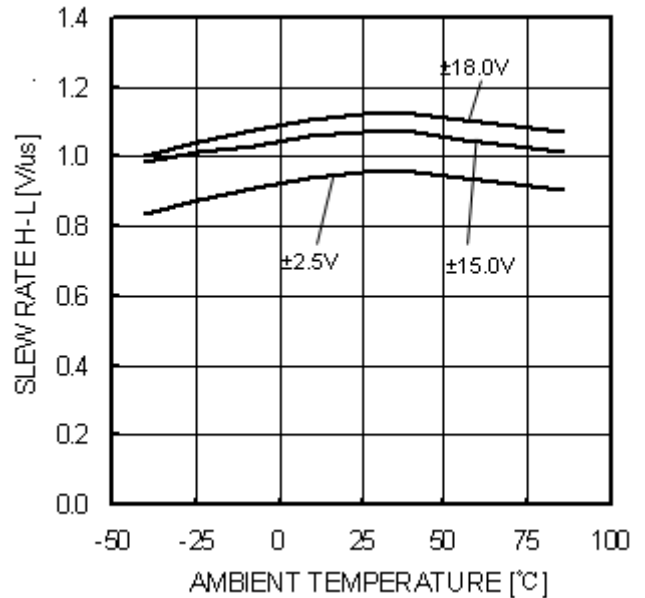


Figure 21.
Slew Rate H-L - Ambient Temperature

(*)The above data is measurement value of typical sample, it is not guaranteed.

OBA3404

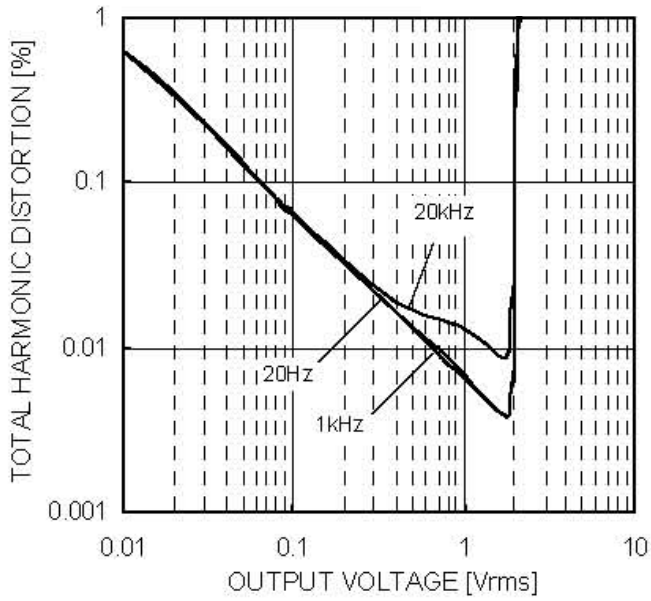


Figure 22.
Total Harmonic Distortion - Output Voltage
(VCC/VEE=+4V/-4V, Av=0dB,
RL=2kΩ, 80kHz-LPF, Ta=25°C)

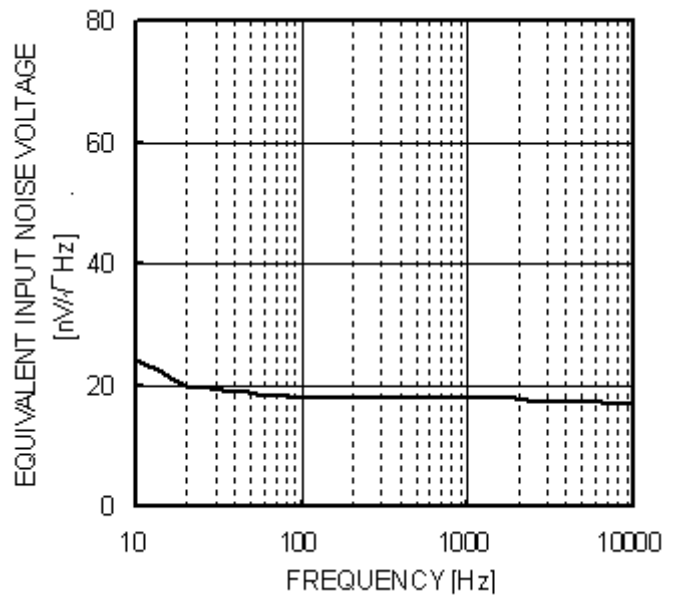


Figure 23.
Equivalent Input Noise Voltage - Frequency
(VCC/VEE=+15V/-15V, RS=100Ω, Ta=25°C)

(*The above data is measurement value of typical sample, it is not guaranteed.

● Application Information

NULL method condition for Test Circuit 1

VCC, VEE, EK, Vicm Unit: V

| Parameter | VF | S1 | S2 | S3 | VCC | VEE | EK | Vicm | calculation |
|--|------|-----|-----|-----|-----|-----|-----|------|-------------|
| Input Offset Voltage | VF1 | ON | ON | OFF | 15 | -15 | 0 | 0 | 1 |
| Input Offset Current | VF2 | OFF | OFF | OFF | 15 | -15 | 0 | 0 | 2 |
| Input Bias Current | VF3 | OFF | ON | OFF | 15 | -15 | 0 | 0 | 3 |
| | VF4 | ON | OFF | | | | | | |
| Large Signal Voltage Gain | VF5 | ON | ON | ON | 15 | -15 | 10 | 0 | 4 |
| | VF6 | | | | 15 | -15 | -10 | 0 | |
| Common-mode Rejection Ratio (Input common-mode Voltage Range) | VF7 | ON | ON | OFF | 15 | -15 | 0 | -15 | 5 |
| | VF8 | | | | 15 | -15 | 0 | 13 | |
| Power Supply Rejection Ratio | VF9 | ON | ON | OFF | 2 | -2 | 0 | 0 | 6 |
| | VF10 | | | | 15 | -15 | 0 | 0 | |

-Calculation-

1. Input Offset Voltage (Vio)

$$V_{io} = \frac{|VF1|}{1 + R_f / R_s} \quad [V]$$

2. Input Offset Current (Iio)

$$I_{io} = \frac{|VF2 - VF1|}{R_i \times (1 + R_f / R_s)} \quad [A]$$

3. Input Bias Current (Ib)

$$I_b = \frac{|VF4 - VF3|}{2 \times R_i \times (1 + R_f / R_s)} \quad [A]$$

4. Large Signal Voltage Gain (Av)

$$A_v = 20 \times \text{Log} \frac{\Delta EK \times (1 + R_f / R_s)}{|VF5 - VF6|} \quad [dB]$$

5. Common-mode Rejection Ration (CMRR)

$$CMRR = 20 \times \text{Log} \frac{\Delta Vicm \times (1 + R_f / R_s)}{|VF8 - VF7|} \quad [dB]$$

6. Power supply rejection ratio (PSRR)

$$PSRR = 20 \times \text{Log} \frac{\Delta V_{cc} \times (1 + R_f / R_s)}{|VF10 - VF9|} \quad [dB]$$

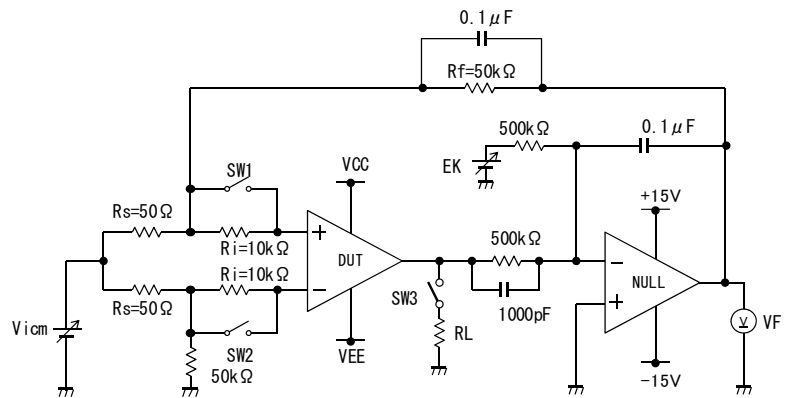


Figure 24. Test circuit 1 (one channel only)

Switch Condition for Test Circuit 2

| SW No. | SW 1 | SW 2 | SW 3 | SW 4 | SW 5 | SW 6 | SW 7 | SW 8 | SW 9 | SW 10 | SW 11 | SW 12 | SW 13 | SW 14 |
|--------------------------------|------|------|------|------|------|------|------|------|------|-------|-------|-------|-------|-------|
| Supply Current | OFF | OFF | OFF | ON | OFF | ON | OFF | OFF | OFF | OFF | OFF | OFF | OFF | OFF |
| High Level Output Voltage | OFF | OFF | ON | OFF | OFF | ON | OFF | OFF | ON | OFF | OFF | OFF | ON | OFF |
| Low Level Output Voltage | OFF | OFF | ON | OFF | OFF | ON | OFF | OFF | OFF | OFF | OFF | OFF | ON | OFF |
| Output Source Current | OFF | OFF | ON | OFF | OFF | ON | OFF | OFF | OFF | OFF | OFF | OFF | OFF | ON |
| Output Sink Current | OFF | OFF | ON | OFF | OFF | ON | OFF | OFF | OFF | OFF | OFF | OFF | OFF | ON |
| Slew Rate | OFF | OFF | OFF | ON | OFF | OFF | OFF | ON | ON | ON | OFF | OFF | OFF | OFF |
| Gain Bandwidth Product | OFF | ON | OFF | OFF | ON | ON | OFF | OFF | ON | ON | OFF | OFF | OFF | OFF |
| Equivalent Input Noise Voltage | ON | OFF | OFF | OFF | ON | ON | OFF | OFF | OFF | OFF | ON | OFF | OFF | OFF |

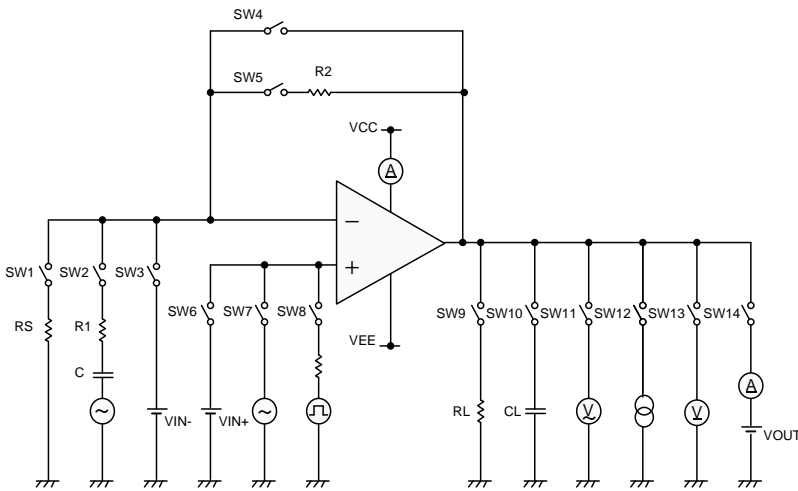


Figure 25. Test Circuit 2 (each Op-Amp)

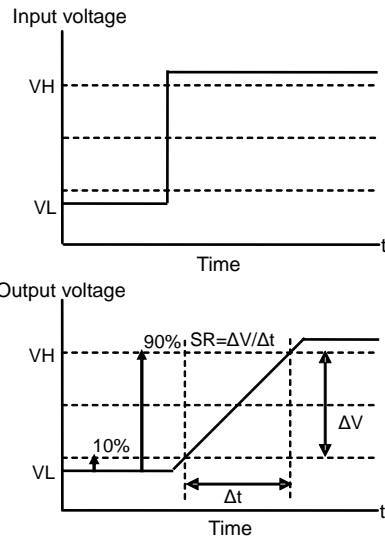


Figure 26. Slew Rate Input Waveform

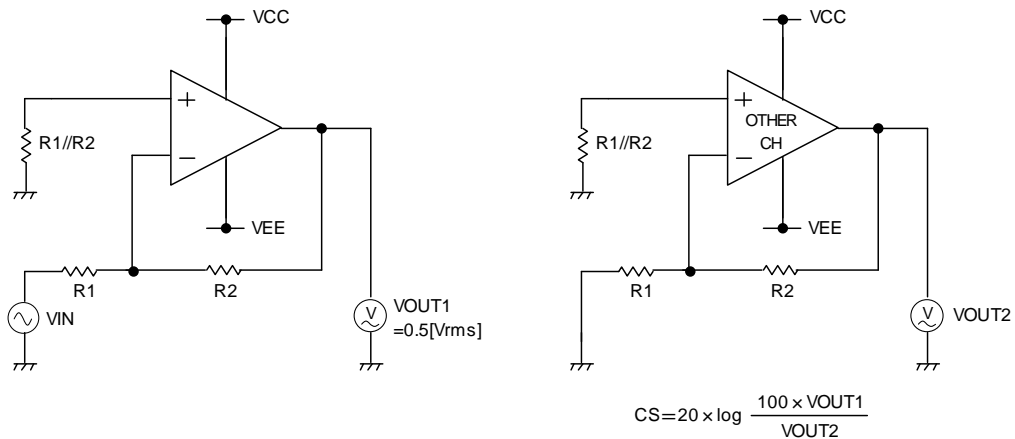


Figure 27. Test Circuit 3 (Channel Separation)

Application example

○Voltage follower

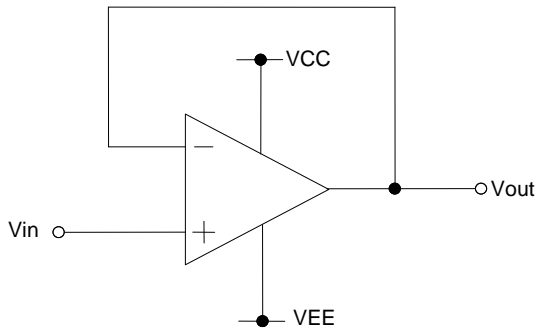


Figure 28. Voltage follower circuit

Voltage gain is 0 dB.
 This circuit controls output voltage (Vout) equal input voltage (Vin), and keeps Vout with stable because of high input impedance and low output impedance.
 Vout is shown next formula.
 $V_{out}=V_{in}$

○Inverting amplifier

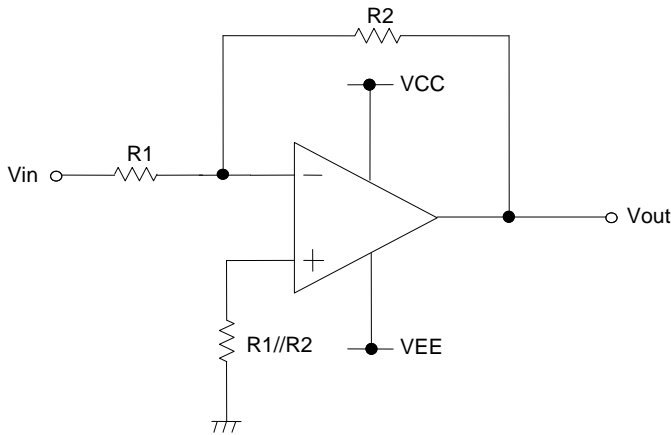


Figure 29. Inverting amplifier circuit

For inverting amplifier, Vin is amplified by voltage gain decided R1 and R2, and phase reversed voltage is output.
 Vout is shown next expression.
 $V_{out}=-\left(\frac{R_2}{R_1}\right) \cdot V_{in}$
 Input impedance is R1.

○Non-inverting amplifier

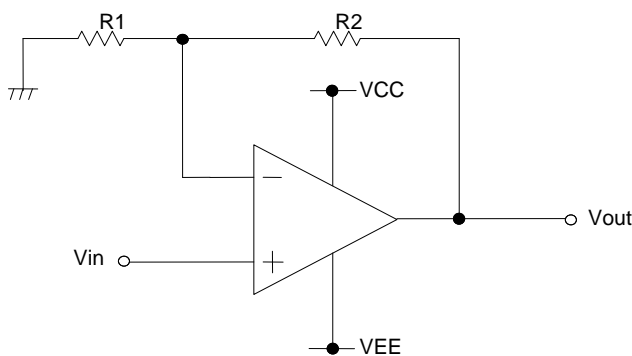


Figure 30. Non-inverting amplifier circuit

For non-inverting amplifier, Vin is amplified by voltage gain decided R1 and R2, and phase is same with Vin.
 Vout is shown next expression.
 $V_{out}=\left(1+\frac{R_2}{R_1}\right) \cdot V_{in}$
 This circuit performs high input impedance because Input impedance is operational amplifier's input Impedance.

●Power Dissipation

Power dissipation (total loss) indicates the power that can be consumed by IC at Ta=25°C(normal temperature). IC is heated when it consumed power, and the temperature of IC chip becomes higher than ambient temperature. The temperature that can be accepted by IC chip depends on circuit configuration, manufacturing process, and consumable power is limited. Power dissipation is determined by the temperature allowed in IC chip (maximum junction temperature) and thermal resistance of package (heat dissipation capability). The maximum junction temperature is typically equal to the maximum value in the storage temperature range. Heat generated by consumed power of IC radiates from the mold resin or lead

frame of the package. The parameter which indicates this heat dissipation capability (hardness of heat release) is called thermal resistance, represented by the symbol θ_{ja} °C/W.The temperature of IC inside the package can be estimated by this thermal resistance. Figure 31. (a) shows the model of thermal resistance of the package. Thermal resistance θ_{ja} , ambient temperature Ta, maximum junction temperature Tjmax, and power dissipation Pd can be calculated by the equation below:

$$\theta_{ja} = (T_{jmax} - T_a) / P_d \quad \text{°C/W} \quad \dots \dots \dots (I)$$

Derating curve in Figure 31. (b) indicates power that can be consumed by IC with reference to ambient temperature. Power that can be consumed by IC begins to attenuate at certain ambient temperature. This gradient is determined by thermal resistance θ_{ja} . Thermal resistance θ_{ja} depends on chip size, power consumption, package, ambient temperature, package condition, wind velocity, etc even when the same of package is used.

Thermal reduction curve indicates a reference value measured at a specified condition. Figure 32. (c) show a derating curve for an example of BA3404.

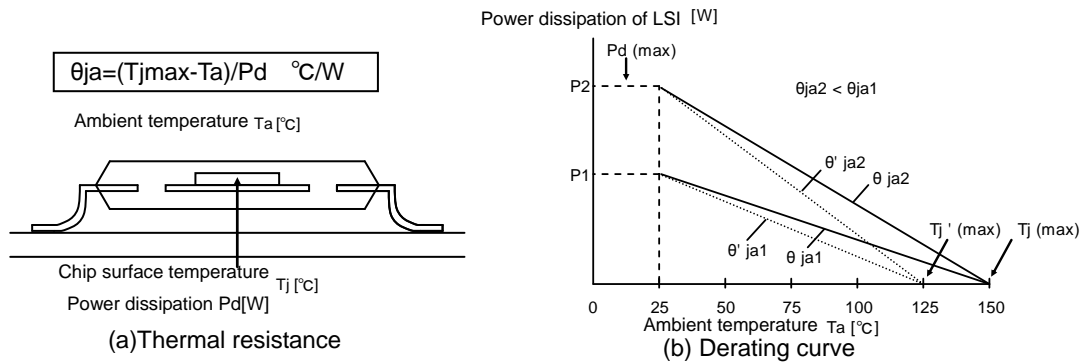
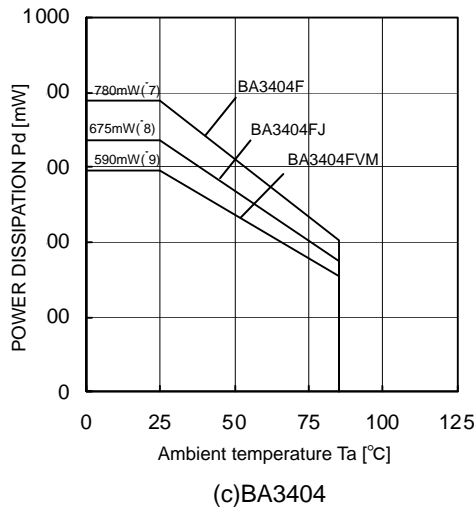


Figure 31. Thermal resistance and derating



(c)BA3404

| | | | |
|------|------|------|-------|
| (*7) | (*8) | (*9) | Unit |
| 6.2 | 5.4 | 4.8 | mW/°C |

When using the unit above Ta=25°C, subtract the value above per degree °C.
Permissible dissipation is the value when FR4 glass epoxy board 70mm x70mm x1.6mm (cooper foil area below 3%) is mounted.

Figure 32. Derating curve

●Operational Notes

1) Unused circuits

When there are unused circuits, it is recommended that they be connected as in Figure 33. setting the non-inverting input terminal to a potential within the in-phase input voltage range (V_{icm}).

2) Input voltage

Applying $VEE+36V$ (BA3404) to the input terminal is possible without causing deterioration of the electrical characteristics or destruction, irrespective of the supply voltage. However, this does not ensure normal circuit operation. Please note that the circuit operates normally only when the input voltage is within the common mode input voltage range of the electric characteristics.

3) Power supply (single / dual)

The op-amp operates when the voltage supplied is between VCC and VEE Therefore, the single supply op-mp can be used as a dual supply op-amp as well.

4) Power dissipation (P_d)

Using the unit in excess of the rated power dissipation may cause deterioration in electrical characteristics due to the rise in chip temperature, including reduced current capability. Therefore, please take into consideration the power dissipation (P_d) under actual operating conditions and apply a sufficient margin in thermal design. Refer to the thermal derating curves for more information.

5) Short-circuit between pins and erroneous mounting

Incorrect mounting may damage the IC. In addition, the presence of foreign substances between the outputs, the output and the power supply, or the output and GND may result in IC destruction.

6) Operation in a strong electromagnetic field

Operation in a strong electromagnetic field may cause malfunctions.

7) Radiation

This IC is not designed to withstand radiation.

8) IC handling

Applying mechanical stress to the IC by deflecting or bending the board may cause fluctuation of the electrical characteristics due to piezo resistance effects.

9) IC operation

The output stage of the IC is configured using Class C push-pull circuits. Therefore, when the load resistor is connected to the middle potential of VCC and VEE, crossover distortion occurs at the changeover between discharging and charging of the output current. Connecting a resistor between the output terminal and GND, and increasing the bias current for Class A operation will suppress crossover distortion.

10) Board inspection

Connecting a capacitor to a pin with low impedance may stress the IC. Therefore, discharging the capacitor after every process is recommended. In addition, when attaching and detaching the jig during the inspection phase, ensure that the power is turned OFF before inspection and removal. Furthermore, please take measures against ESD in the assembly process as well as during transportation and storage.

11) Output capacitor

Discharge of the external output capacitor to VCC is possible via internal parasitic elements when VCC is shorted to VEE, causing damage to the internal circuitry due to thermal stress. Therefore, when using this IC in circuits where oscillation due to output capacitive load does not occur, such as in voltage comparators, use an output capacitor with a capacitance less than $0.1\mu F$.

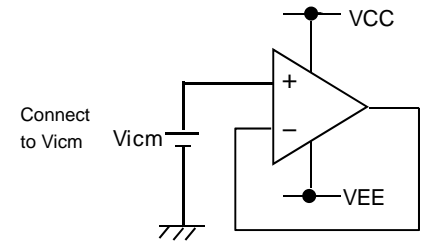


Figure 33. The example of application circuit for unused op-amp

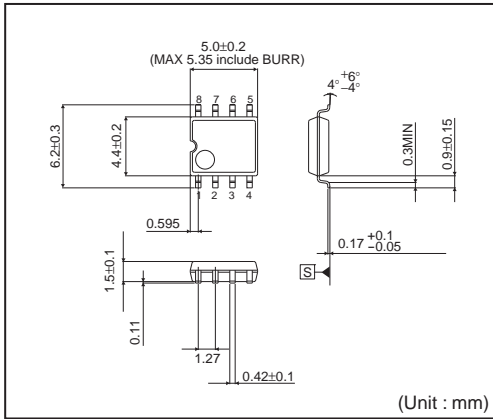
Status of this document

The Japanese version of this document is formal specification. A customer may use this translation version only for a reference to help reading the formal version.

If there are any differences in translation version of this document formal version takes priority.

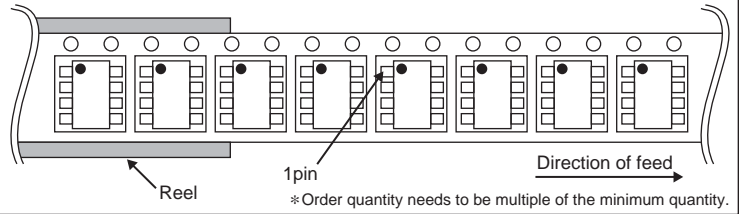
●Physical Dimensions Tape and Reel Information

SOP8

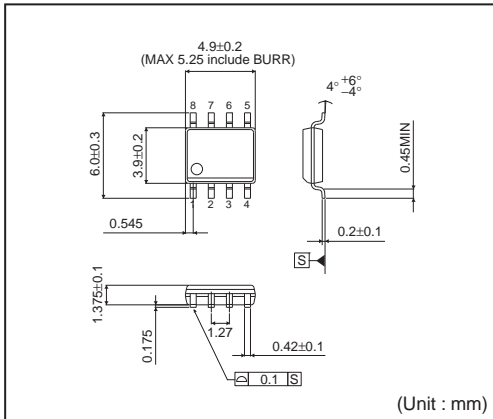


<Tape and Reel information>

| | |
|-------------------|---|
| Tape | Embossed carrier tape |
| Quantity | 2500pcs |
| Direction of feed | E2 (The direction is the 1pin of product is at the upper left when you hold reel on the left hand and you pull out the tape on the right hand) |

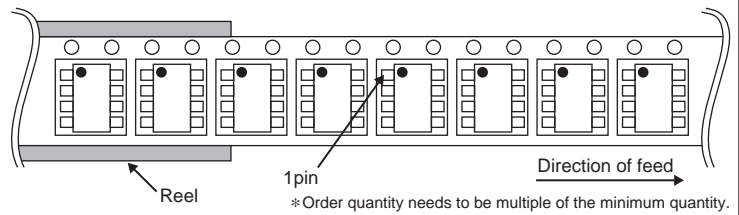


SOP-J8

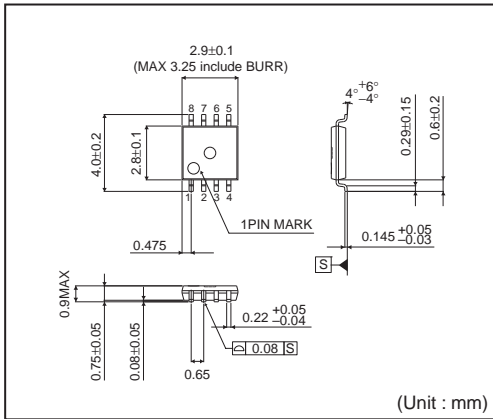


<Tape and Reel information>

| | |
|-------------------|---|
| Tape | Embossed carrier tape |
| Quantity | 2500pcs |
| Direction of feed | E2 (The direction is the 1pin of product is at the upper left when you hold reel on the left hand and you pull out the tape on the right hand) |

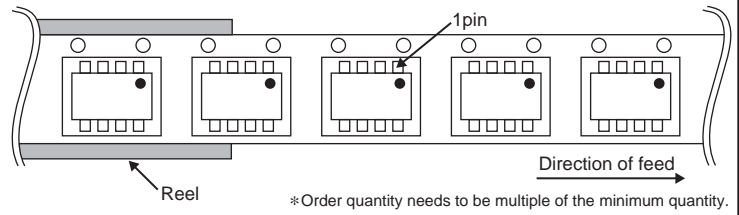


MSOP8

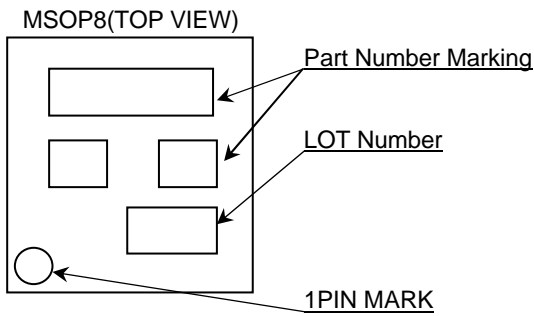
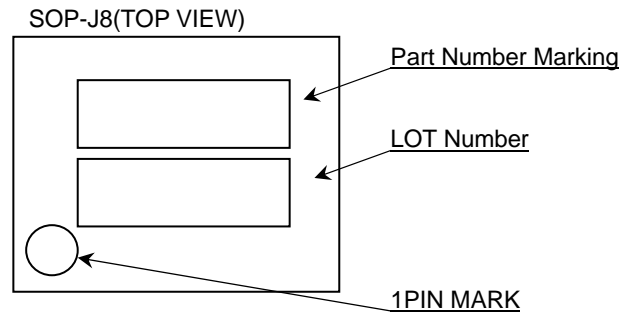
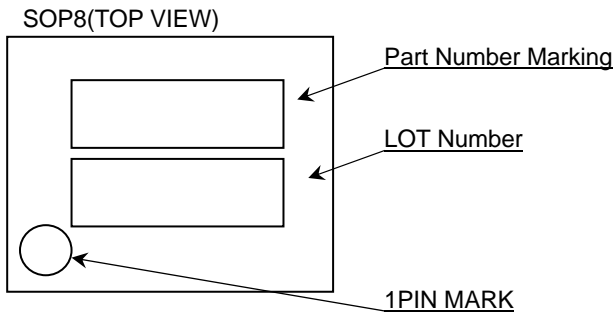


<Tape and Reel information>

| | |
|-------------------|--|
| Tape | Embossed carrier tape |
| Quantity | 3000pcs |
| Direction of feed | TR (The direction is the 1pin of product is at the upper right when you hold reel on the left hand and you pull out the tape on the right hand) |



●Marking Diagrams

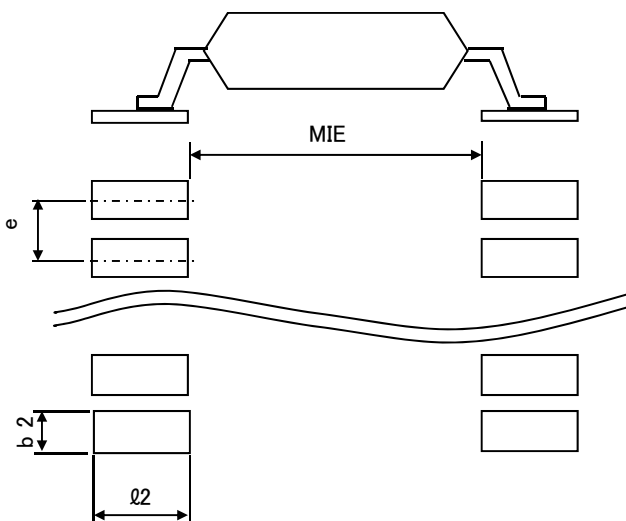


| Product Name | | Package Type | Marking |
|--------------|-----|--------------|---------|
| BA3404 | F | SOP8 | 3404 |
| | FJ | SOP-J8 | |
| | FVM | MSOP8 | |

●Land pattern data

all dimensions in mm

| PKG | Land pitch e | Land space MIE | Land length $\geq l_2$ | Land width b2 |
|--------|-----------------|-------------------|---------------------------|------------------|
| SOP8 | 1.27 | 4.60 | 1.10 | 0.76 |
| SOP-J8 | 1.27 | 3.90 | 1.35 | 0.76 |
| MSOP8 | 0.65 | 2.62 | 0.99 | 0.35 |



●Revision History

| Date | Revision | Changes |
|------------|----------|-------------|
| 2012.10.22 | 001 | New Release |

Notice

Precaution on using ROHM Products

- Our Products are designed and manufactured for application in ordinary electronic equipments (such as AV equipment, OA equipment, telecommunication equipment, home electronic appliances, amusement equipment, etc.). If you intend to use our Products in devices requiring extremely high reliability (such as medical equipment ^(Note 1), transport equipment, traffic equipment, aircraft/spacecraft, nuclear power controllers, fuel controllers, car equipment including car accessories, safety devices, etc.) and whose malfunction or failure may cause loss of human life, bodily injury or serious damage to property ("Specific Applications"), please consult with the ROHM sales representative in advance. Unless otherwise agreed in writing by ROHM in advance, ROHM shall not be in any way responsible or liable for any damages, expenses or losses incurred by you or third parties arising from the use of any ROHM's Products for Specific Applications.

(Note1) Medical Equipment Classification of the Specific Applications

| JAPAN | USA | EU | CHINA |
|-----------|-----------|------------|-----------|
| CLASS III | CLASS III | CLASS II b | CLASS III |
| CLASS IV | | CLASS III | |

- ROHM designs and manufactures its Products subject to strict quality control system. However, semiconductor products can fail or malfunction at a certain rate. Please be sure to implement, at your own responsibilities, adequate safety measures including but not limited to fail-safe design against the physical injury, damage to any property, which a failure or malfunction of our Products may cause. The following are examples of safety measures:
 - Installation of protection circuits or other protective devices to improve system safety
 - Installation of redundant circuits to reduce the impact of single or multiple circuit failure
- Our Products are designed and manufactured for use under standard conditions and not under any special or extraordinary environments or conditions, as exemplified below. Accordingly, ROHM shall not be in any way responsible or liable for any damages, expenses or losses arising from the use of any ROHM's Products under any special or extraordinary environments or conditions. If you intend to use our Products under any special or extraordinary environments or conditions (as exemplified below), your independent verification and confirmation of product performance, reliability, etc. prior to use, must be necessary:
 - Use of our Products in any types of liquid, including water, oils, chemicals, and organic solvents
 - Use of our Products outdoors or in places where the Products are exposed to direct sunlight or dust
 - Use of our Products in places where the Products are exposed to sea wind or corrosive gases, including Cl₂, H₂S, NH₃, SO₂, and NO₂
 - Use of our Products in places where the Products are exposed to static electricity or electromagnetic waves
 - Use of our Products in proximity to heat-producing components, plastic cords, or other flammable items
 - Sealing or coating our Products with resin or other coating materials
 - Use of our Products without cleaning residue of flux (even if you use no-clean type fluxes, cleaning residue of flux is recommended); or Washing our Products by using water or water-soluble cleaning agents for cleaning residue after soldering
 - Use of the Products in places subject to dew condensation
- The Products are not subject to radiation-proof design.
- Please verify and confirm characteristics of the final or mounted products in using the Products.
- In particular, if a transient load (a large amount of load applied in a short period of time, such as pulse. is applied, confirmation of performance characteristics after on-board mounting is strongly recommended. Avoid applying power exceeding normal rated power; exceeding the power rating under steady-state loading condition may negatively affect product performance and reliability.
- De-rate Power Dissipation (Pd) depending on Ambient temperature (Ta). When used in sealed area, confirm the actual ambient temperature.
- Confirm that operation temperature is within the specified range described in the product specification.
- ROHM shall not be in any way responsible or liable for failure induced under deviant condition from what is defined in this document.

Precaution for Mounting / Circuit board design

- When a highly active halogenous (chlorine, bromine, etc.) flux is used, the residue of flux may negatively affect product performance and reliability.
- In principle, the reflow soldering method must be used; if flow soldering method is preferred, please consult with the ROHM representative in advance.

For details, please refer to ROHM Mounting specification

Precautions Regarding Application Examples and External Circuits

1. If change is made to the constant of an external circuit, please allow a sufficient margin considering variations of the characteristics of the Products and external components, including transient characteristics, as well as static characteristics.
2. You agree that application notes, reference designs, and associated data and information contained in this document are presented only as guidance for Products use. Therefore, in case you use such information, you are solely responsible for it and you must exercise your own independent verification and judgment in the use of such information contained in this document. ROHM shall not be in any way responsible or liable for any damages, expenses or losses incurred by you or third parties arising from the use of such information.

Precaution for Electrostatic

This Product is electrostatic sensitive product, which may be damaged due to electrostatic discharge. Please take proper caution in your manufacturing process and storage so that voltage exceeding the Products maximum rating will not be applied to Products. Please take special care under dry condition (e.g. Grounding of human body / equipment / solder iron, isolation from charged objects, setting of ionizer, friction prevention and temperature / humidity control).

Precaution for Storage / Transportation

1. Product performance and soldered connections may deteriorate if the Products are stored in the places where:
 - [a] the Products are exposed to sea winds or corrosive gases, including Cl₂, H₂S, NH₃, SO₂, and NO₂
 - [b] the temperature or humidity exceeds those recommended by ROHM
 - [c] the Products are exposed to direct sunshine or condensation
 - [d] the Products are exposed to high Electrostatic
2. Even under ROHM recommended storage condition, solderability of products out of recommended storage time period may be degraded. It is strongly recommended to confirm solderability before using Products of which storage time is exceeding the recommended storage time period.
3. Store / transport cartons in the correct direction, which is indicated on a carton with a symbol. Otherwise bent leads may occur due to excessive stress applied when dropping of a carton.
4. Use Products within the specified time after opening a humidity barrier bag. Baking is required before using Products of which storage time is exceeding the recommended storage time period.

Precaution for Product Label

QR code printed on ROHM Products label is for ROHM's internal use only.

Precaution for Disposition

When disposing Products please dispose them properly using an authorized industry waste company.

Precaution for Foreign Exchange and Foreign Trade act

Since our Products might fall under controlled goods prescribed by the applicable foreign exchange and foreign trade act, please consult with ROHM representative in case of export.

Precaution Regarding Intellectual Property Rights

1. All information and data including but not limited to application example contained in this document is for reference only. ROHM does not warrant that foregoing information or data will not infringe any intellectual property rights or any other rights of any third party regarding such information or data. ROHM shall not be in any way responsible or liable for infringement of any intellectual property rights or other damages arising from use of such information or data.:
2. No license, expressly or implied, is granted hereby under any intellectual property rights or other rights of ROHM or any third parties with respect to the information contained in this document.

Other Precaution

1. This document may not be reprinted or reproduced, in whole or in part, without prior written consent of ROHM.
2. The Products may not be disassembled, converted, modified, reproduced or otherwise changed without prior written consent of ROHM.
3. In no event shall you use in any way whatsoever the Products and the related technical information contained in the Products or this document for any military purposes, including but not limited to, the development of mass-destruction weapons.
4. The proper names of companies or products described in this document are trademarks or registered trademarks of ROHM, its affiliated companies or third parties.

General Precaution

1. Before you use our Products, you are requested to carefully read this document and fully understand its contents. ROHM shall not be in any way responsible or liable for failure, malfunction or accident arising from the use of any ROHM's Products against warning, caution or note contained in this document.
2. All information contained in this document is current as of the issuing date and subject to change without any prior notice. Before purchasing or using ROHM's Products, please confirm the latest information with a ROHM sales representative.
3. The information contained in this document is provided on an "as is" basis and ROHM does not warrant that all information contained in this document is accurate and/or error-free. ROHM shall not be in any way responsible or liable for any damages, expenses or losses incurred by you or third parties resulting from inaccuracy or errors of or concerning such information.

Компания «Life Electronics» занимается поставками электронных компонентов импортного и отечественного производства от производителей и со складов крупных дистрибьюторов Европы, Америки и Азии.

С конца 2013 года компания активно расширяет линейку поставок компонентов по направлению коаксиальный кабель, кварцевые генераторы и конденсаторы (керамические, пленочные, электролитические), за счёт заключения дистрибьюторских договоров

Мы предлагаем:

- Конкурентоспособные цены и скидки постоянным клиентам.
- Специальные условия для постоянных клиентов.
- Подбор аналогов.
- Поставку компонентов в любых объемах, удовлетворяющих вашим потребностям.
- Приемлемые сроки поставки, возможна ускоренная поставка.
- Доставку товара в любую точку России и стран СНГ.
- Комплексную поставку.
- Работу по проектам и поставку образцов.
- Формирование склада под заказчика.
- Сертификаты соответствия на поставляемую продукцию (по желанию клиента).
- Тестирование поставляемой продукции.
- Поставку компонентов, требующих военную и космическую приемку.
- Входной контроль качества.
- Наличие сертификата ISO.

В составе нашей компании организован Конструкторский отдел, призванный помогать разработчикам, и инженерам.

Конструкторский отдел помогает осуществить:

- Регистрацию проекта у производителя компонентов.
- Техническую поддержку проекта.
- Защиту от снятия компонента с производства.
- Оценку стоимости проекта по компонентам.
- Изготовление тестовой платы монтаж и пусконаладочные работы.



Тел: +7 (812) 336 43 04 (многоканальный)
Email: org@lifeelectronics.ru