

## Lightning/surge arrester type 1/2 - PWT 35-800AC-FM - 2800419

Please be informed that the data shown in this PDF Document is generated from our Online Catalog. Please find the complete data in the user's documentation. Our General Terms of Use for Downloads are valid (<http://phoenixcontact.com/download>)



Lightning/surge arrester, according to type 1/2 / class I/II, for 1-phase power supply networks with combined PE and N installed in one conductor (L1, PEN).

### Product Features

- Use in harsh industrial environments
- Very high TOV resistance
- Universal solution for various network types
- Meets installation requirements according to CLC/TS 50539-22
- Meets Lightning Protection Level I
- Free of leakage current/no line follow current
- Encapsulated, non-extinguishing
- Local optical status indication
- Multi-stage status monitoring via remote indication contact
- Type 1/2 arrester based on a varistor



### Key commercial data

Packing unit	1 pc
Weight per Piece (excluding packing)	3480.0 GRM
Custom tariff number	85363010
Country of origin	Germany

### Technical data

#### Dimensions

Height	191 mm
Width	56 mm
Depth	280 mm

#### Ambient conditions

# Lightning/surge arrester type 1/2 - PWT 35-800AC-FM - 2800419

## Technical data

### Ambient conditions

Degree of protection	IP20
Ambient temperature (operation)	-40 °C ... 80 °C
	-40 °C ... 55 °C (serial through wiring $\geq 35 \text{ mm}^2$ )
Ambient temperature (storage/transport)	-40 °C ... 80 °C
Altitude	$\leq 4000 \text{ m (NN)}$
Permissible humidity (operation)	5 % ... 95 %
Shock (operation)	25g
Vibration (operation)	5g (10 ... 500 Hz)

### General

IEC power supply system	TN-C
	IT
Housing material	Die-cast aluminum, salt water resistant
Inflammability class according to UL 94	V2
Standards for air and creepage distances	DIN EN 60664-1
	EN 61643-11
Mounting type	Screw mounting
Type	Mounting plate
Number of positions	1
Surge protection fault message	Optical, remote indicator contact
Direction of action	1L-PEN

### Protective circuit

IEC test classification	I / II
	T1 / T2
EN type	T1 / T2
Lightning protection class	I
Nominal voltage $U_N$	690 V AC
Maximum continuous operating voltage $U_C$ (L-PE)	800 V AC
$U_T$ (TOV-proof)	1500 V AC (5 sec.)
	1960 V AC (200 ms)
Nominal frequency $f_N$	50 Hz
	60 Hz
Rated load current $I_L$	150 A (Serial through wiring with $50 \text{ mm}^2$ )
Residual current $I_{PE}$	$\leq 20 \mu\text{A}$
Standby power consumption $P_C$	$\leq 16 \text{ mVA}$
Max. discharge current $I_{max}$ (8/20) $\mu\text{s}$ maximum (L-PE)	100 kA
Nominal discharge current $I_n$ (8/20) $\mu\text{s}$ (L-PE)	35 kA

# Lightning/surge arrester type 1/2 - PWT 35-800AC-FM - 2800419

## Technical data

### Protective circuit

Impulse discharge current (10/350) $\mu$ s charge	17.5 As
Impulse discharge current (10/350) $\mu$ s, specific energy	305 kJ/ $\Omega$
Impulse discharge current (10/350) $\mu$ s, peak value $I_{imp}$	35 kA
Front of wave sparkover voltage at 6 kV (1.2/50) $\mu$ s (L-PE)	$\leq 4.5$ kV
Voltage protection level $U_p$ (L-PE)	$\leq 4.5$ kV
Residual voltage (L-PE)	$\leq 2.7$ kV
	$\leq 2.5$ kV (at 20 kA)
	$\leq 2.3$ kV (at 10 kA)
	$\leq 2.2$ kV (at 5 kA)
	$\leq 2.1$ kV (at 3 kA)
Response time (L-PE)	$\leq 100$ ns
Max. backup fuse with branch wiring	400 A (gG; 2 x 50 mm <sup>2</sup> )
	800 A (aR (only up to $I_{imp} = 25$ kA))
Max. backup fuse with V-type through wiring	125 A (gG; $\geq 35$ mm <sup>2</sup> )
Short-circuit resistance $I_p$ with max. backup fuse (effective)	50 kA
Follow current quenching capacity $I_f$ (L-PEN)	50 kA

### Connection, protective circuit

Connection name	Double terminal point
Connection method	Screw connection
Screw thread	M6
Tightening torque	8.5 Nm
	75 lb <sub>r</sub> -in. (UL)
Stripping length	24 mm
Conductor cross section stranded min.	16 mm <sup>2</sup>
Conductor cross section stranded max.	50 mm <sup>2</sup>
Conductor cross section solid min.	16 mm <sup>2</sup>
Conductor cross section solid max.	50 mm <sup>2</sup>
AWG conductor cross section	6 ... 1/0
	6 ... 1/0 (UL)
Connection name	PE conductor connection
Connection method	Ring cable lug
	M10 hexagonal head screw (ISO 4017/DIN 933)
Screw thread	M10
Tightening torque	20 Nm
	175 lb <sub>r</sub> -in. (UL)
Conductor cross section stranded min.	16 mm <sup>2</sup>

## Lightning/surge arrester type 1/2 - PWT 35-800AC-FM - 2800419

### Technical data

#### Connection, protective circuit

Conductor cross section stranded max.	95 mm <sup>2</sup>
Conductor cross section solid min.	16 mm <sup>2</sup>
Conductor cross section solid max.	95 mm <sup>2</sup>
AWG conductor cross section	6 ... 3/0
	3/0 (UL)

#### Remote indicator contact

Connection name	Remote indicator contact
Switching function	N/C contact, 1-pos.
Screw thread	M3
Tightening torque	0.55 Nm
	7 lb <sub>f</sub> -in. ... 5 lb <sub>f</sub> -in. (UL)
Stripping length	7 mm
Conductor cross section stranded min.	0.2 mm <sup>2</sup>
Conductor cross section stranded max.	2.5 mm <sup>2</sup>
Conductor cross section solid min.	0.2 mm <sup>2</sup>
Conductor cross section solid max.	2.5 mm <sup>2</sup>
AWG conductor cross section	24 ... 12
	24 ... 12 (UL)
Maximum operating voltage U <sub>max</sub> AC	30 V AC
Maximum operating voltage U <sub>max</sub> DC	30 V DC
Max. operating current I <sub>max</sub>	1.5 A AC
	1.5 A DC

#### Standards and Regulations

Standards/regulations	IEC 61643-11 2011
	EN 61643-11 2012

### Classifications

#### eCl@ss

eCl@ss 4.0	27140201
eCl@ss 4.1	27140201
eCl@ss 5.0	27140201
eCl@ss 5.1	27140201
eCl@ss 6.0	27140201
eCl@ss 7.0	27140201
eCl@ss 8.0	27140201

# Lightning/surge arrester type 1/2 - PWT 35-800AC-FM - 2800419

## Classifications

### ETIM

ETIM 2.0	EC000381
ETIM 3.0	EC000381
ETIM 4.0	EC000381
ETIM 5.0	EC000381

### UNSPSC

UNSPSC 6.01	30212010
UNSPSC 7.0901	39121610
UNSPSC 11	39121610
UNSPSC 12.01	39121610
UNSPSC 13.2	39121620

## Approvals

### Approvals

---

#### Approvals

IECEE CB Scheme / UL Recognized / KEMA-KEUR / ÖVE / cUL Recognized / CCA / cULus Recognized

---

#### Ex Approvals

---

#### Approvals submitted

---

## Approval details

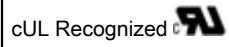
IECEE CB Scheme

UL Recognized

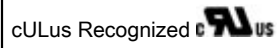
KEMA-KEUR

# Lightning/surge arrester type 1/2 - PWT 35-800AC-FM - 2800419

## Approvals

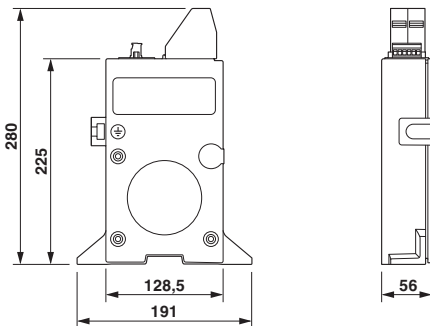


CCA

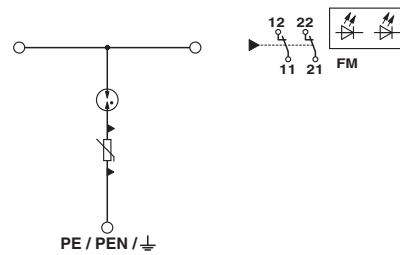


## Drawings

Dimensioned drawing



Circuit diagram



Компания «Life Electronics» занимается поставками электронных компонентов импортного и отечественного производства от производителей и со складов крупных дистрибьюторов Европы, Америки и Азии.

С конца 2013 года компания активно расширяет линейку поставок компонентов по направлению коаксиальный кабель, кварцевые генераторы и конденсаторы (керамические, пленочные, электролитические), за счёт заключения дистрибьюторских договоров

Мы предлагаем:

- Конкуренспособные цены и скидки постоянным клиентам.
- Специальные условия для постоянных клиентов.
- Подбор аналогов.
- Поставку компонентов в любых объемах, удовлетворяющих вашим потребностям.
- Приемлемые сроки поставки, возможна ускоренная поставка.
- Доставку товара в любую точку России и стран СНГ.
- Комплексную поставку.
- Работу по проектам и поставку образцов.
- Формирование склада под заказчика.
- Сертификаты соответствия на поставляемую продукцию (по желанию клиента).
- Тестирование поставляемой продукции.
- Поставку компонентов, требующих военную и космическую приемку.
- Входной контроль качества.
- Наличие сертификата ISO.

В составе нашей компании организован Конструкторский отдел, призванный помогать разработчикам, и инженерам.

Конструкторский отдел помогает осуществить:

- Регистрацию проекта у производителя компонентов.
- Техническую поддержку проекта.
- Защиту от снятия компонента с производства.
- Оценку стоимости проекта по компонентам.
- Изготовление тестовой платы монтаж и пусконаладочные работы.



Тел: +7 (812) 336 43 04 (многоканальный)

Email: [org@lifeelectronics.ru](mailto:org@lifeelectronics.ru)