

*RoHS Compliant*

# **USB-Disk Module II Plus**

*Product Specifications*

**December 1, 2015**

*Version 1.7*



**Apacer Technology Inc.**

1F, No.32, Zhongcheng Rd., Tucheng Dist., New Taipei City, Taiwan

Tel: +886-2-2267-8000 Fax: +886-2-2267-2261

[www.apacer.com](http://www.apacer.com)

## FEATURES:

- **USB2.0 High-Speed and USB1.1 Full-Speed compatible interface**
- **Capacity**
  - 4, 8, 16, 32, 64 GB
- **Performance\***
  - Sustained read: 33 MB/s
  - Sustained write: 16 MB/s
- **Intelligent USB Module**
  - Implements dynamic wear-leveling algorithms to substantially increase longevity of flash media
  - BCH (24 bit) Error Detection Code/Error Correction Code (EDC/ECC)
  - Intrinsic data integrity after power loss
  - Wear leveling algorithm that provides more reliable data storage over an extended period
- **Extended Data Protection (Optional)**
  - Write protection setting by jumper for prevention of data overwrites.
- **NAND Flash Type: MLC**
- **MTBF**
  - Approximately greater than  $3.29 \times 10^6$  hours
- **Support Ready Boost for Windows Vista**
- **Support boot-up function for OS**
  - Windows XP Embedded
  - Windows CE
  - Linux
- **Temperature Ranges**
  - Operation:
    - Standard: 0°C to 70°C
    - Extended: -40°C to 85°C
  - Storage: -40°C to 100°C
- **Power Consumption\***
  - Active: 175 mA
  - Idle: 80 mA
  - Operating voltage: 5V (with a certain percentage of tolerance)
- **Connector**
  - 10-pin (2x5) female header
- **RoHS Compliant**
- **Support Non-Removable Setting**

\*The values addressed in Performance and Power consumption are typical and may vary from settings and platforms.

## Table of Contents

|  |           |
|--|-----------|
| <b>1. General Description .....</b>                          | <b>3</b>  |
| 1.1 Performance-optimized Controller.....                    | 3         |
| 1.1.1 Power Management Unit (PMU).....                       | 3         |
| 1.1.2 SRAM Buffer.....                                       | 3         |
| 1.1.3 Error Correction Code (ECC).....                       | 3         |
| 1.1.4 Wear-Leveling.....                                     | 3         |
| 1.1.5 Write Protection Mode (Optional) .....                 | 3         |
| <b>2. Functional Block Diagram .....</b>                     | <b>4</b>  |
| <b>3. Pin Assignment .....</b>                               | <b>5</b>  |
| 3.1 Type A, Type B, and Type C .....                         | 5         |
| 3.2 Type D (STD) .....                                       | 6         |
| <b>4. Performance &amp; Reliability Specifications .....</b> | <b>7</b>  |
| 4.1 Capacity Specifications .....                            | 7         |
| 4.2 Performance Specifications.....                          | 7         |
| 4.3 Environmental Specifications .....                       | 7         |
| 4.4 MTBF .....   | 8         |
| <b>5. Electrical Specifications .....</b>                    | <b>9</b>  |
| 5.1 AC Characteristics.....                                  | 9         |
| <b>6. Physical Dimensions .....</b>                          | <b>11</b> |
| 6.1 Horizontal Design .....                                  | 11        |
| 6.1.1 Type A (STD 90D) .....                                 | 11        |
| 6.1.2 Type B (STD 90D-MH) .....                              | 12        |
| 6.1.3 Type C (STD 90D-MS) .....                              | 13        |
| 6.2 Vertical Design .....                                    | 14        |
| 6.2.1 Type D (STD 180D).....                                 | 14        |
| <b>7. Product Ordering Information.....</b>                  | <b>15</b> |
| 7.1 Product Code Designations.....                           | 15        |
| 7.2 Valid Combinations.....                                  | 16        |

## 1. General Description

Apacer's USB-Disk Module (UDM) is a high performance, embedded solid state drive (SSD) designed to replace a conventional IDE hard disk drive. UDM SSD can be plugged into a standard Embedded USB connector commonly found in desktops, portable PC systems and industrial PC systems. This product is well suited for embedded flash storage applications offering new and expanded functionality as well as more cost-effective designs, better performance and increased reliability.

This UDM solid state drive is resistant to shock and vibration and compatible with widely used operating systems such as Windows CE, Windows XP Embedded, and Linux. In terms of suitability, it comes in various dimensions to multiple embedded usages.

### 1.1 Performance-optimized Controller

The heart of an UDM is the USB controller, which translates standard USB signals into the data and controls of the flash media. This proprietary USB controller is specifically designed to attain high data throughput from host to flash.

#### 1.1.1 Power Management Unit (PMU)

The power management unit (PMU) controls the power consumption of the UDM. It can dramatically extend product battery life by leaving the idle part of the circuitry into sleep mode. The PMU has zero wake-up latency.

#### 1.1.2 SRAM Buffer

The SRAM buffer is a key contributor to the USB controller performance. It optimizes data writes to the flash.

#### 1.1.3 Error Correction Code (ECC)

The UDM uses BCH Error Detection Code (EDC) and Error Correction Code (ECC) algorithms which correct up to 24 random single-bit errors for each 1024-byte block of data depending on spare area of flash memory. High performance is achieved through hardware-based error detection and correction.

#### 1.1.4 Wear-Leveling

Flash memory can be erased a limited number of times, This number is called the erase cycle limit, or write endurance limit, The erase cycle limit applies to each individual erase block in the flash device.

In a typical application, and especially if a file system is used, specific pages are constantly updated (e.g., the page that contains the FAT, registry, etc.). Without any special handling, these pages would wear out more rapidly than other pages, reducing the lifetime of the entire flash.

To overcome this inherent deficiency, Apacer's USB-Disk Module (UDM) uses wear-leveling algorithm. This wear-leveling algorithm ensures that consecutive writes of a specific sector are not written physically to the same page in the flash. This spreads flash media usage evenly across all pages, thereby maximizing flash lifetime.

The wear-leveling mechanism provides write/erase cycles for reliable data storage over an extended period.

#### 1.1.5 Write Protection Mode (Optional)

When the device is configured to the Write-Protection mode, it enhances the data security and protection. This feature prevents the stored data from inadvertent system writes or erases, and viruses.

## 2. Functional Block Diagram

The USB-Disk Module (UDM) contains a controller, embedded firmware, and Flash Media with a female connector. The UDM interfaces with the host system allowing data to be written to and read from the Flash Media.



Figure 2-1 Functional Block Diagram

### 3. Pin Assignment

This chapter provides the information on the pin assignments and signal descriptions.

#### 3.1 Type A, Type B, and Type C



**Table 3-1** Pin Assignment of the 10-pin configuration in Type A, Type B, and Type C.

| Pin | Signal        | Pin | Signal |
|-----|---------------|-----|--------|
| 1   | +5V           | 2   | N.C    |
| 3   | USB D-        | 4   | N.C    |
| 5   | USB D+        | 6   | N.C    |
| 7   | GND           | 8   | N.C    |
| 9   | Key (Blocked) | 10  | N.C    |

### 3.2 Type D (STD)



**Table 3-2** Pin Assignment of the 10-pin configuration in Type D (STD)

| Pin | Signal        | Pin | Signal |
|-----|---------------|-----|--------|
| 1   | +5V           | 2   | +5V    |
| 3   | USB D-        | 4   | N.C    |
| 5   | USB D+        | 6   | N.C    |
| 7   | GND           | 8   | GND    |
| 9   | Key (Blocked) | 10  | GND    |

## 4. Performance & Reliability Specifications

### 4.1 Capacity Specifications

The USB-Disk Module product family is available as below table matrix.

**Table 4-1** Capacity Specifications

| Capacity | Total Bytes    |
|----------|----------------|
| 4GB      | 4,001,382,400  |
| 8GB      | 8,011,153,408  |
| 16GB     | 16,030,662,656 |
| 32GB     | 32,061,325,312 |
| 64GB     | 64,139,362,304 |

Note: Total user bytes may vary depending on file system in use.

### 4.2 Performance Specifications

**Table 4-2** Performance Specifications

| Capacity \ Performance        | 4 GB | 8 GB | 16 GB | 32 GB | 64 GB |
|-------------------------------|------|------|-------|-------|-------|
| <b>Sustained read (MB/s)</b>  | 32   | 32   | 33    | 33    | 33    |
| <b>Sustained write (MB/s)</b> | 10   | 10   | 14    | 16    | 16    |

Note: results may vary depending on flash configurations.

### 4.3 Environmental Specifications

Environmental specification of the USB-Disk Module (UDM) product family which follows the MIL-STD-810F standards is available as shown in Table 4-3.

**Table 4-3** Environmental Specifications

|                    |   |   |
|--------------------|---|---|
| <b>Temperature</b> | Operation   | 0°C ~70°C (Standard) ; -40°C ~85°C (Extended) ; |
|                    | Storage   | -40°C to 100°C                                  |
| <b>Vibration</b>   | Sine wave 10 Hz to 500 Hz, 50 m/s <sup>2</sup> , 3 axes (IEC 68-2-6, non-operating) |   |
| <b>Shock</b>       | Half sine wave 50G, 6 axes, 18 times (IEC 68-2-27, non-operating)                   |   |
| <b>EMC</b>         | FCC, CE   |   |



## 4.4 MTBF

Mean Time Between Failures (MTBF) is predicted based on reliability data for the individual components in this device. The measurement assumes that device failure rate can be generated by the sum of failure rates in each component and a steady state failure rate can be predicated as equal to or greater than  $4.20 \times 10^6$  hours.

Notes about the MTBF: The MTBF is predicated and calculated based on "Bellcore Analysis Method 1".

$$\lambda_{SS} = \pi_E \sum_{i=1}^m (N_i \lambda_{SSi})$$

**m:** number of component types

**N<sub>i</sub>:** quantity of I type component  
**λ<sub>SSi</sub>:** failure rate for I type component at steady state

**π<sub>E</sub>:** device environment factor

**λ<sub>SS</sub>:** device failure rate at steady state

## 5. Electrical Specifications

**Caution: Absolute Maximum Stress Ratings** – Applied conditions greater than those listed under “Absolute Maximum Stress Ratings” may cause permanent damage to the device. This is a stress rating only and functional operation of the device at these conditions or conditions greater than those defined in the operational sections of this data sheet is not implied. Exposure to absolute maximum stress rating conditions may affect device reliability.

**Table 5-1** Operating Range

| Range    | Ambient Temperature | Voltage  |
|----------|---------------------|----------|
| Standard | 0°C to 70°C         | 4.5-5.5V |
| Extended | -40°C ~85°C         |          |

**Table 5-2** Absolute Maximum Power Pin Stress Ratings

| Parameter   | Symbol   | Min       | Max      | Unit |
|---|----------|-----------|----------|------|
| Power Supply Input                                | VDD- VSS | -0.3      | 5.5      | V    |
| Voltage on any pin except VDD with respect to GND | VIN      | -ss – 0.3 | VDD +0.3 | V    |

**Table 5-3** Typical Power Consumption

| Modes \ Capacity | 4 GB        | 8 GB | 16 GB | 32 GB | 64 GB |
|------------------|-------------|------|-------|-------|-------|
|                  | Active (mA) | 120  | 120   | 135   | 175   |
| Idle (mA)        | 75          | 75   | 80    | 80    | 80    |

Note: Results may differ from various flash configurations or host system setting.

### 5.1 AC Characteristics

**Table 5-4** AC Characteristics Full Speed

| Parameter                                | Symbol            | Min | Typ | Max    | Unit |
|--|-------------------|-----|-----|--------|------|
| Rise Time                                | T <sub>FR</sub>   | 4   | —   | 20     | ns   |
| Fall Time                                | T <sub>FF</sub>   | 4   | —   | 20     | ns   |
| Differential Rise and Fall Time Matching | T <sub>FRFM</sub> | 90  |     | 111.11 | %    |
| Driver Output Resistance                 | Z <sub>DRV</sub>  | 28  | —   | 44     | Ω    |

Table 5-5 AC Characteristics High Speed

| Parameter                | Symbol      | Min  | Typ | Max  | Unit     |
|--------------------------|-------------|------|-----|------|----------|
| Rise Time (10%~90%)      | $T_{HSR}$   | 500  | —   | —    | ps       |
| Fall Time (10%~90%)      | $T_{HSF}$   | 500  | —   | —    | ps       |
| Driver Output Resistance | $Z_{HSDRV}$ | 40.5 | —   | 49.5 | $\Omega$ |

## 6. Physical Dimensions

### 6.1 Horizontal Design

#### 6.1.1 Type A (STD 90D)

Standard 90 degree

|               |        |              |         |                     |         |
|---------------|--------|--------------|---------|---------------------|---------|
| <b>Length</b> | 28.8mm | <b>Width</b> | 26.65mm | <b>Height (Max)</b> | 10.5 mm |
|---------------|--------|--------------|---------|---------------------|---------|



Unit: mm  
Tolerance: ±0.2

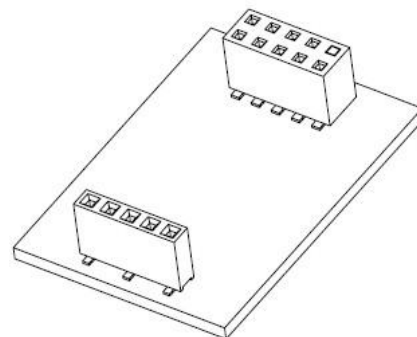
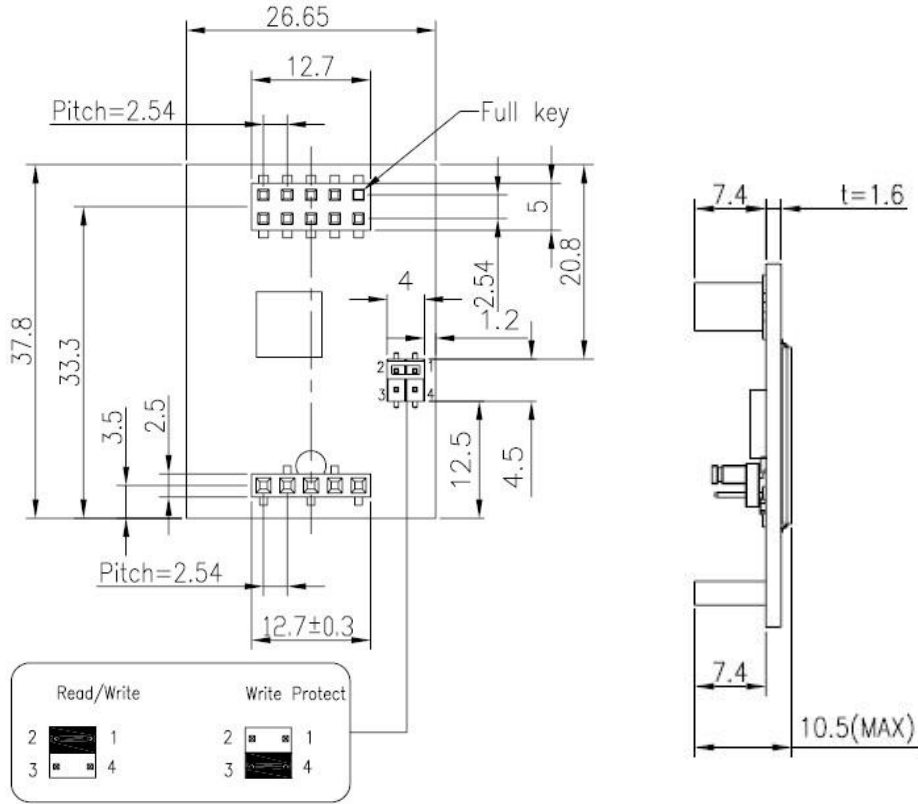
# USB-Disk Module II Plus AP-UMxxxxXXXX-XXXXCM



## 6.1.2 Type B (STD 90D-MH)

Standard 90 Degree Mounting Header

|               |                    |              |                     |                     |                    |
|---------------|--------------------|--------------|---------------------|---------------------|--------------------|
| <b>Length</b> | 37.8 <sub>mm</sub> | <b>Width</b> | 26.65 <sub>mm</sub> | <b>Height (Max)</b> | 10.5 <sub>mm</sub> |
|---------------|--------------------|--------------|---------------------|---------------------|--------------------|



Unit: mm  
Tolerance: ±0.2

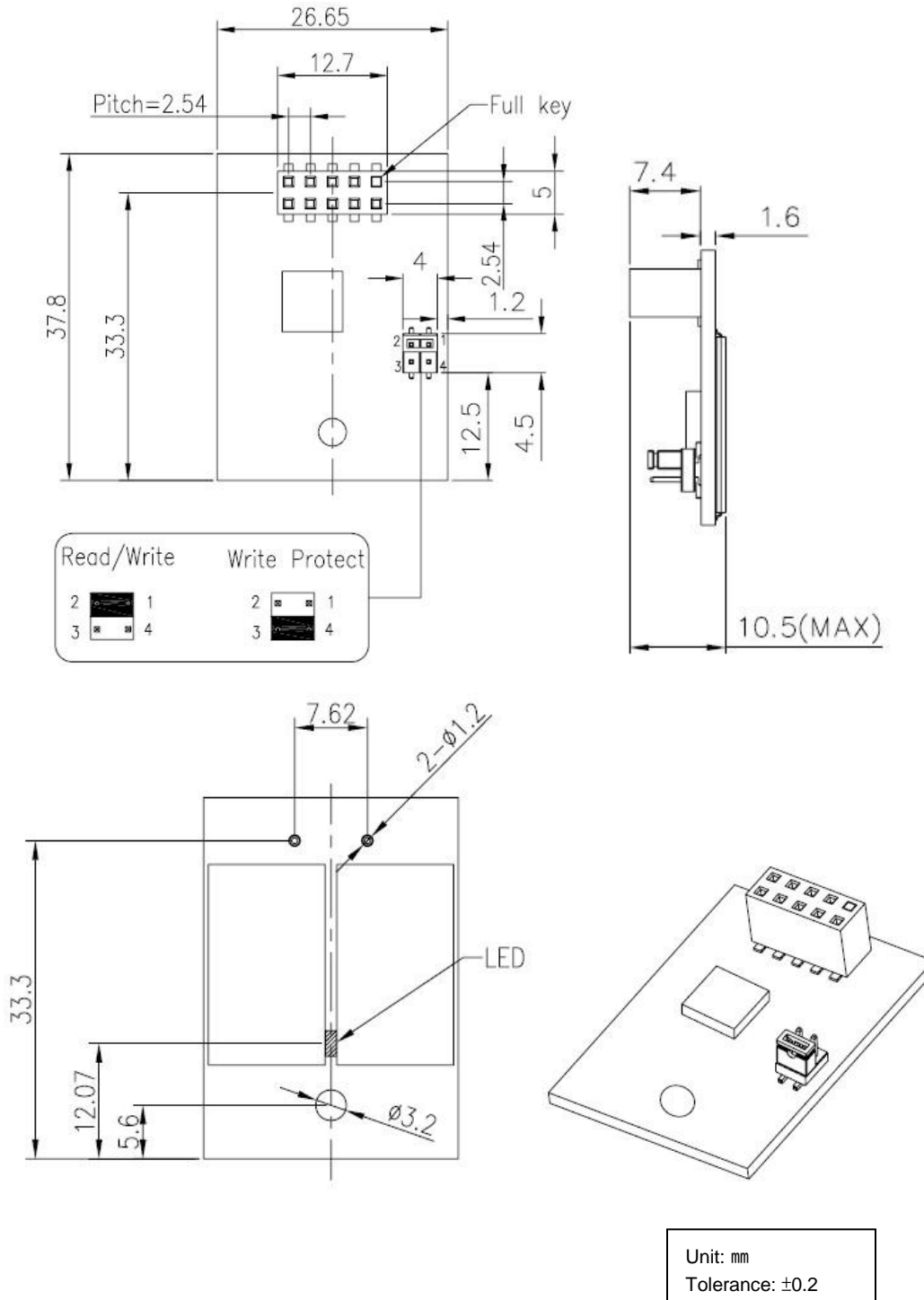
# USB-Disk Module II Plus AP-UMxxxxXXXX-XXXXCM



## 6.1.3 Type C (STD 90D-MS)

Standard 90 Degree Mounting Screw

|               |        |              |         |                     |         |
|---------------|--------|--------------|---------|---------------------|---------|
| <b>Length</b> | 37.8mm | <b>Width</b> | 26.65mm | <b>Height (Max)</b> | 10.5 mm |
|---------------|--------|--------------|---------|---------------------|---------|



## 6.2 Vertical Design

### 6.2.1 Type D (STD 180D)

Standard 180 Degree

|               |        |              |         |                     |        |
|---------------|--------|--------------|---------|---------------------|--------|
| <b>Length</b> | 37.3mm | <b>Width</b> | 26.65mm | <b>Height (Max)</b> | 8.5 mm |
|---------------|--------|--------------|---------|---------------------|--------|



|                 |
|-----------------|
| Unit: mm        |
| Tolerance: ±0.2 |

## 7. Product Ordering Information

### 7.1 Product Code Designations





## 7.2 Valid Combinations

### 7.2.1 Type A (STD 90D)

Standard 90 degree

| Capacity | Standard P/N      | Extended P/N      |
|----------|-------------------|-------------------|
| 4GB      | AP-UM004GR13CS-CM | AP-UM004GT13ES-CM |
| 8GB      | AP-UM008GR13CS-CM | AP-UM008GT13ES-CM |
| 16GB     | AP-UM016GR13CS-CM | AP-UM016GT13ES-CM |
| 32GB     | AP-UM032GR13CS-CM | AP-UM032GT13ES-CM |
| 64GB     | AP-UM064GR13CS-CM | AP-UM064GT13ES-CM |

### 7.2.2 Type B (STD 90D-MH)

Standard 90 degree Mounting Header

| Capacity | Standard P/N        | Extended P/N        |
|----------|---------------------|---------------------|
| 4GB      | AP-UM004GR13CS-MHCM | AP-UM004GT13ES-MHCM |
| 8GB      | AP-UM008GR13CS-MHCM | AP-UM008GT13ES-MHCM |
| 16GB     | AP-UM016GR13CS-MHCM | AP-UM016GT13ES-MHCM |
| 32GB     | AP-UM032GR13CS-MHCM | AP-UM032GT13ES-MHCM |
| 64GB     | AP-UM064GR13CS-MHCM | AP-UM064GT13ES-MHCM |

### 7.2.3 Type C (STD 90D-MS)

Standard 90 degree Mounting Screw

| Capacity | Standard P/N        | Extended P/N        |
|----------|---------------------|---------------------|
| 4GB      | AP-UM004GR13CS-MSCM | AP-UM004GT13ES-MSCM |
| 8GB      | AP-UM008GR13CS-MSCM | AP-UM008GT13ES-MSCM |
| 16GB     | AP-UM016GR13CS-MSCM | AP-UM016GT13ES-MSCM |
| 32GB     | AP-UM032GR13CS-MSCM | AP-UM032GT13ES-MSCM |
| 64GB     | AP-UM064GR13CS-MSCM | AP-UM064GT13ES-MSCM |

### 7.2.4 Type D (STD 180D)

Standard 180 degree

| Capacity | Standard P/N      | Extended P/N      |
|----------|-------------------|-------------------|
| 4GB      | AP-UM004GR23CS-CM | AP-UM004GT23ES-CM |
| 8GB      | AP-UM008GR23CS-CM | AP-UM008GT23ES-CM |
| 16GB     | AP-UM016GR23CS-CM | AP-UM016GT23ES-CM |
| 32GB     | AP-UM032GR23CS-CM | AP-UM032GT23ES-CM |
| 64GB     | AP-UM064GR23CS-CM | AP-UM064GT23ES-CM |

**7.2.1 Type A (STD 90D) – NR**

Standard 90 degree

| <b>Capacity</b> | <b>Standard P/N</b> | <b>Extended P/N</b> |
|-----------------|---------------------|---------------------|
| 4GB             | AP-UM004GR13CS-NRCM | AP-UM004GT13ES-NRCM |
| 8GB             | AP-UM008GR13CS-NRCM | AP-UM008GT13ES-NRCM |
| 16GB            | AP-UM016GR13CS-NRCM | AP-UM016GT13ES-NRCM |
| 32GB            | AP-UM032GR13CS-NRCM | AP-UM032GT13ES-NRCM |
| 64GB            | AP-UM064GR13CS-NRCM | AP-UM064GT13ES-NRCM |

**7.2.2 Type B (STD 90D-MH) – NR**

Standard 90 degree Mounting Header

| <b>Capacity</b> | <b>Standard P/N</b>   | <b>Extended P/N</b>   |
|-----------------|-----------------------|-----------------------|
| 4GB             | AP-UM004GR13CS-MHNRCM | AP-UM004GT13ES-MHNRCM |
| 8GB             | AP-UM008GR13CS-MHNRCM | AP-UM008GT13ES-MHNRCM |
| 16GB            | AP-UM016GR13CS-MHNRCM | AP-UM016GT13ES-MHNRCM |
| 32GB            | AP-UM032GR13CS-MHNRCM | AP-UM032GT13ES-MHNRCM |
| 64GB            | AP-UM064GR13CS-MHNRCM | AP-UM064GT13ES-MHNRCM |

**7.2.3 Type C (STD 90D-MS) – NR**

Standard 90 degree Mounting Screw

| <b>Capacity</b> | <b>Standard P/N</b>   | <b>Extended P/N</b>   |
|-----------------|-----------------------|-----------------------|
| 4GB             | AP-UM004GR13CS-MSNRCM | AP-UM004GT13ES-MSNRCM |
| 8GB             | AP-UM008GR13CS-MSNRCM | AP-UM008GT13ES-MSNRCM |
| 16GB            | AP-UM016GR13CS-MSNRCM | AP-UM016GT13ES-MSNRCM |
| 32GB            | AP-UM032GR13CS-MSNRCM | AP-UM032GT13ES-MSNRCM |
| 64GB            | AP-UM064GR13CS-MSNRCM | AP-UM064GT13ES-MSNRCM |

**7.2.4 Type D (STD 180D) – NR**

Standard 180 degree

| <b>Capacity</b> | <b>Standard P/N</b> | <b>Extended P/N</b> |
|-----------------|---------------------|---------------------|
| 4GB             | AP-UM004GR23CS-NRCM | AP-UM004GT23ES-NRCM |
| 8GB             | AP-UM008GR23CS-NRCM | AP-UM008GT23ES-NRCM |
| 16GB            | AP-UM016GR23CS-NRCM | AP-UM016GT23ES-NRCM |
| 32GB            | AP-UM032GR23CS-NRCM | AP-UM032GT23ES-NRCM |
| 64GB            | AP-UM064GR23CS-NRCM | AP-UM064GT23ES-NRCM |

---

## Revision History

| Revision | Description  | Date              |
|----------|--|-------------------|
| 1.0      | Official Release   | December 13, 2011 |
| 1.1      | Added MTBF section                                       | May 10, 2012      |
| 1.2      | Updated power consumption                                | June 29, 2012     |
| 1.3      | Updated contact phone number of Apacer office in America | August 30, 2012   |
| 1.4      | Updated product ordering information                     | February 3, 2015  |
| 1.5      | Added extended temperature support                       | March 10, 2015    |
| 1.6      | Revised extended P/N : 7.2.2 , 7.2.3, 7.2.4              | March 23, 2015    |
| 1.7      | Added power consumption section                          | December 1, 2015  |

---

## Global Presence

|                              |   |
|------------------------------|---|
| <b>Taiwan (Headquarters)</b> | <b>Apacer Technology Inc.</b><br>1F., No.32, Zhongcheng Rd., Tucheng Dist.,<br>New Taipei City 236, Taiwan R.O.C.<br>Tel: 886-2-2267-8000<br>Fax: 886-2-2267-2261<br><a href="mailto:amtsales@apacer.com">amtsales@apacer.com</a>   |
| <b>U.S.A.</b>                | <b>Apacer Memory America, Inc.</b><br>46732 Lakeview Blvd., Fremont, CA 94538<br>Tel: 1-408-518-8699<br>Fax: 1-510-249-9568<br><a href="mailto:sa@apacerus.com">sa@apacerus.com</a>   |
| <b>Japan</b>                 | <b>Apacer Technology Corp.</b><br>5F, Matsura Bldg., Shiba, Minato-Ku<br>Tokyo, 105-0014, Japan<br>Tel: 81-3-5419-2668<br>Fax: 81-3-5419-0018<br><a href="mailto:jpservices@apacer.com">jpservices@apacer.com</a>   |
| <b>Europe</b>                | <b>Apacer Technology B.V.</b><br>Science Park Eindhoven 5051 5692 EB Son,<br>The Netherlands<br>Tel: 31-40-267-0000<br>Fax: 31-40-267-0000#6199<br><a href="mailto:sales@apacer.nl">sales@apacer.nl</a>   |
| <b>China</b>                 | <b>Apacer Electronic (Shanghai) Co., Ltd</b><br>Room D, 22/FL, No.2, Lane 600, JieyunPlaza,<br>Tianshan RD, Shanghai, 200051, China<br>Tel: 86-21-6228-9939<br>Fax: 86-21-6228-9936<br><a href="mailto:sales@apacer.com.cn">sales@apacer.com.cn</a>                       |
| <b>India</b>                 | <b>Apacer Technologies Pvt Ltd,</b><br>Unit No.201, "Brigade Corner", 7 <sup>th</sup> Block Jayanagar,<br>Yediyur Circle, Bangalore – 560082, India<br>Tel: 91-80-4152-9061<br>Fax: 91-80-4170-0215<br><a href="mailto:sales_india@apacer.com">sales_india@apacer.com</a> |

Компания «Life Electronics» занимается поставками электронных компонентов импортного и отечественного производства от производителей и со складов крупных дистрибьюторов Европы, Америки и Азии.

С конца 2013 года компания активно расширяет линейку поставок компонентов по направлению коаксиальный кабель, кварцевые генераторы и конденсаторы (керамические, пленочные, электролитические), за счёт заключения дистрибьюторских договоров

Мы предлагаем:

- Конкурентоспособные цены и скидки постоянным клиентам.
- Специальные условия для постоянных клиентов.
- Подбор аналогов.
- Поставку компонентов в любых объемах, удовлетворяющих вашим потребностям.
- Приемлемые сроки поставки, возможна ускоренная поставка.
- Доставку товара в любую точку России и стран СНГ.
- Комплексную поставку.
- Работу по проектам и поставку образцов.
- Формирование склада под заказчика.
- Сертификаты соответствия на поставляемую продукцию (по желанию клиента).
- Тестирование поставляемой продукции.
- Поставку компонентов, требующих военную и космическую приемку.
- Входной контроль качества.
- Наличие сертификата ISO.

В составе нашей компании организован Конструкторский отдел, призванный помогать разработчикам, и инженерам.

Конструкторский отдел помогает осуществить:

- Регистрацию проекта у производителя компонентов.
- Техническую поддержку проекта.
- Защиту от снятия компонента с производства.
- Оценку стоимости проекта по компонентам.
- Изготовление тестовой платы монтаж и пусконаладочные работы.



Тел: +7 (812) 336 43 04 (многоканальный)  
Email: [org@lifeelectronics.ru](mailto:org@lifeelectronics.ru)