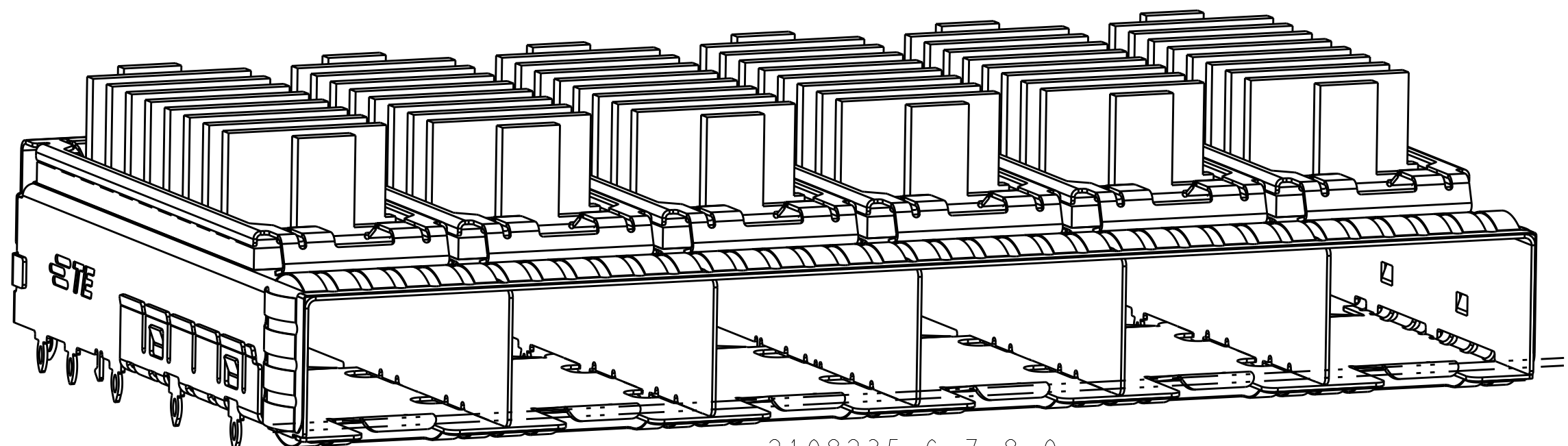
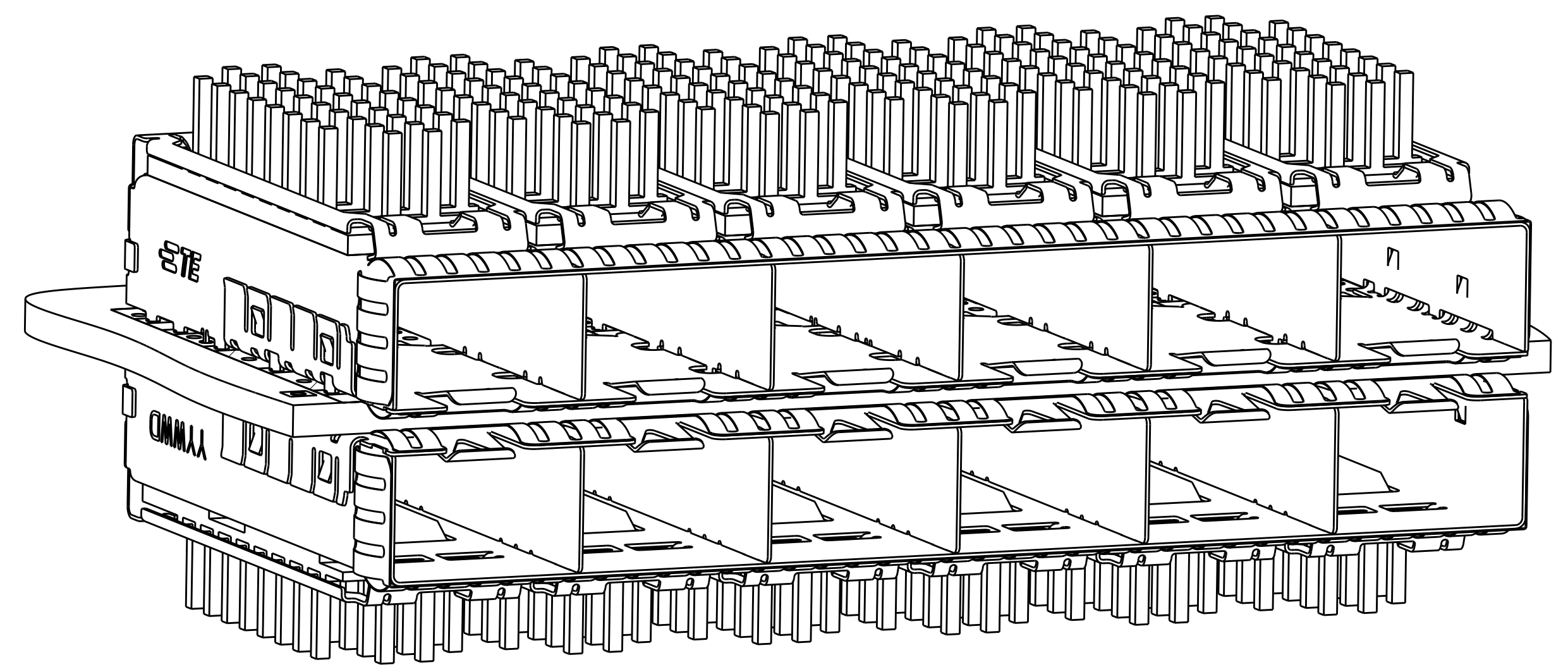
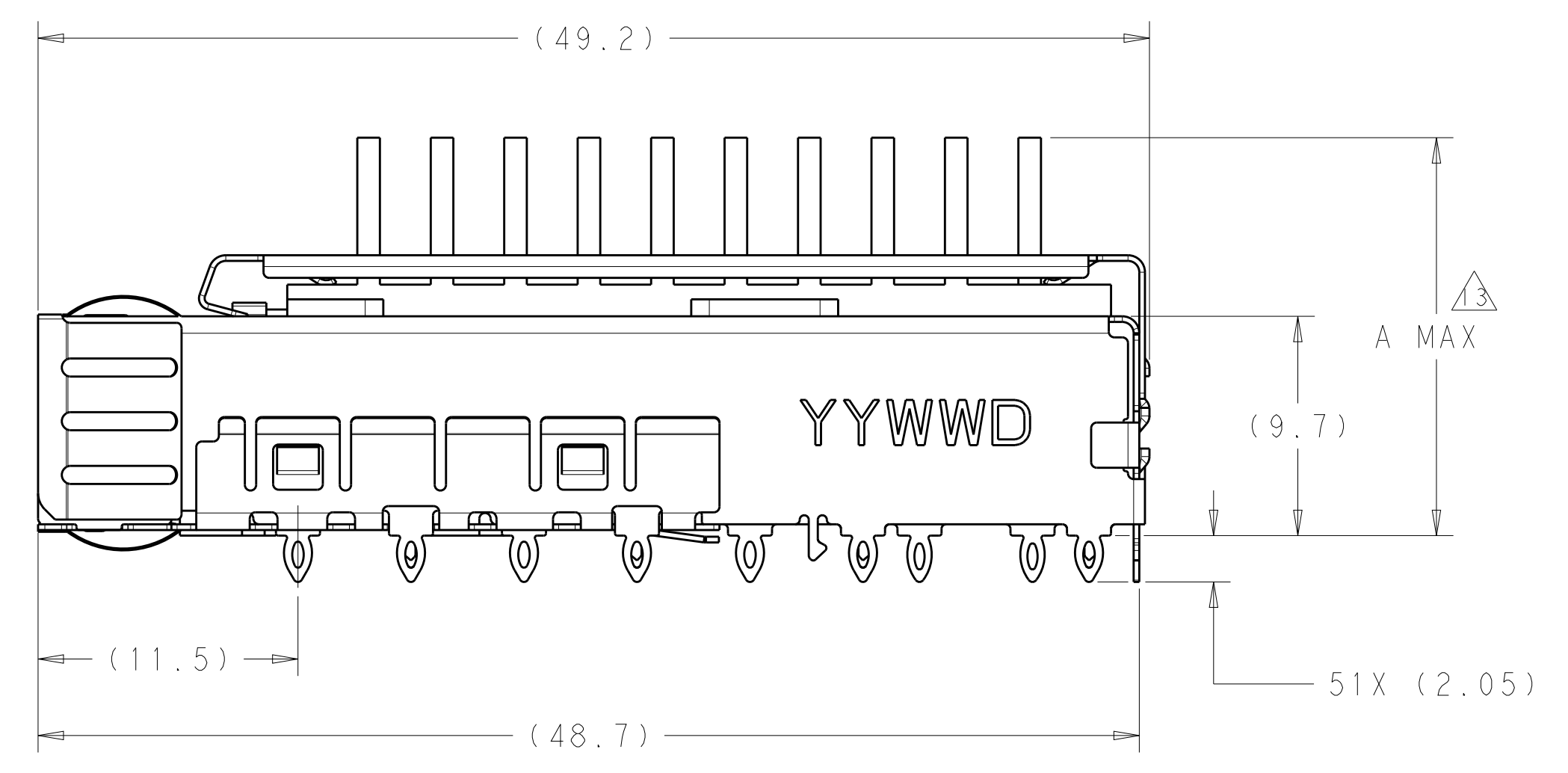
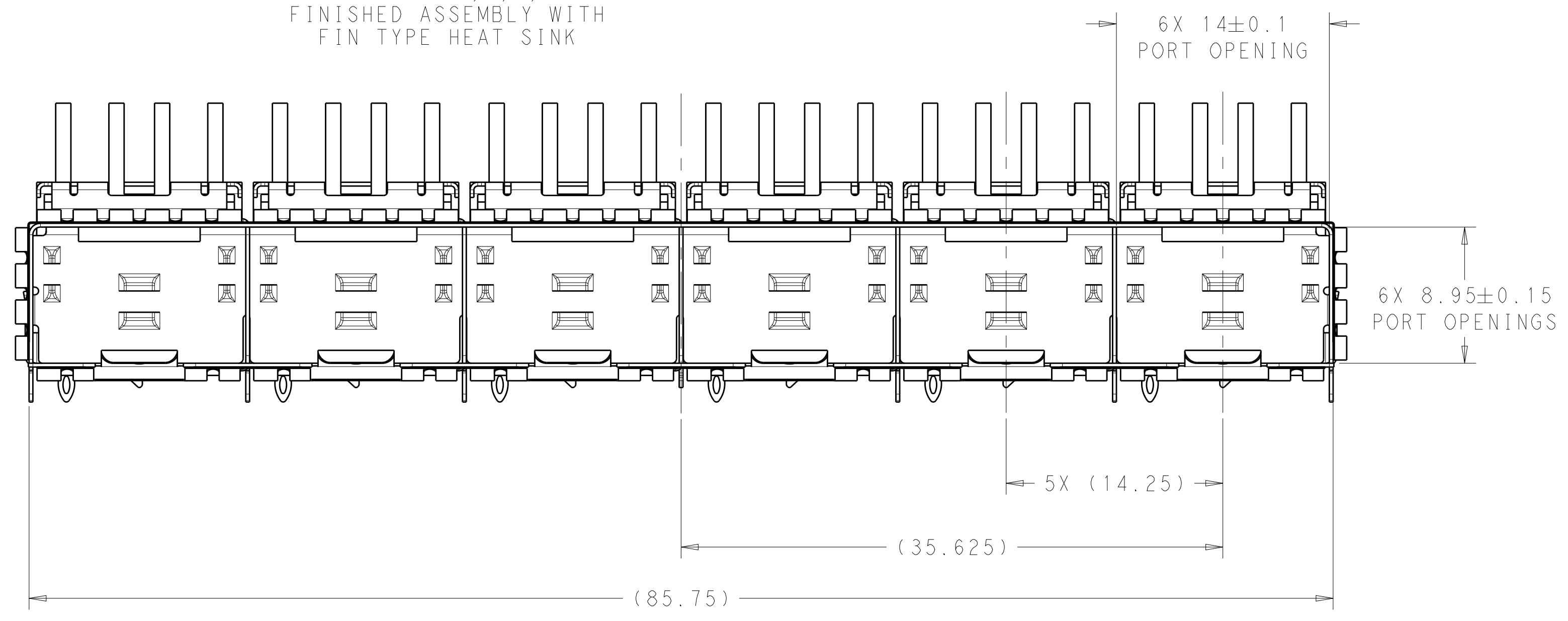


2198235-1,2,3,4,5
FINISHED ASSEMBLY WITH
PIN TYPE HEAT SINK



2198235-6,7,8,9
FINISHED ASSEMBLY WITH
FIN TYPE HEAT SINK



2198235
MOUNTED BELLY TO BELLY ON PCB
SCALE 3:1

- △ MATERIAL:
CAGE ASSEMBLY: 0.25mm THICK NICKEL SILVER ALLOY.
HEATSINK CLIP: STAINLESS STEEL
HEATSINK: ALUMINUM
- △ FINISH:
EMI SPRINGS: MINIMUM OF 0.8um TIN PLATE OVER A MINIMUM OF 0.8um NICKEL UNDERPLATE.
NON-PLATED EDGES PERMISSIBLE.
HEATSINK CLIP: PASSIVATE
HEATSINK: ELECTROLESS NICKEL
- MATES WITH SFP MSA COMPLIANT TRANSCEIVERS.
 - PADS AND VIAS CHASSIS GROUND.
 - INTERPRETATION OF DATUM REFERENCE FRAME IN ACCORDANCE WITH SECT 4.4.1.1 OF ASME Y14.5M-1994.
 - MINIMUM PC BOARD THICKNESS:
SINGLE SIDED = 1.50mm
DOUBLE SIDED = 2.25mm
 - HOLE PATTERN REPEATS FOR EACH PORT. SPACING BETWEEN PORTS IS 14.25mm.
 - DATUM AND BASIC DIMENSION ESTABLISHED BY CUSTOMER.
 - REFERENCE APPLICATION SPEC. 114-13120, HOLE A, FOR RECOMMENDED DRILL HOLE DIAMETER AND PLATING THICKNESS.
 - REFERENCE APPLICATION SPEC. 114-13120, HOLE B, FOR RECOMMENDED DRILL HOLE DIAMETER AND PLATING THICKNESS.
 - CERTAIN MATING TRANCEIVERS MAY REQUIRE ADDITIONAL PCB THICKNESS THAT WOULD BE DETERMINED BY THE CUSTOMER.
 - PRODUCT COMPLIES WITH SPECIFICATION SFF-8433 IMPROVED PLUGGABLE FORM FACTOR FOR SFP+ GANGED CAGES.
 - DIMENSION APPLIES PRIOR TO INSERTION OF SFP MODULE

LOC	DIST	REVISIONS				
GP	00	REV	DESCRIPTION	DATE	OWN	APVD
		A	RELEASED PER ECO-12-013192	06NOV2012	BMM	MRS
		B	RELEASED PER ECO-13-000564	30JAN2013	BMM	MRS
		B1	RELEASED PER ECO-13-014600	20SEP2013	PP	SH
		B2	RELEASED PER ECO-15-006578	20APR2015	PP	SH

FIN TYPE	W/O INSULATING TAPE	22.5	NETWORKING, TALL	2198235-9
FIN TYPE	W/O INSULATING TAPE	18.1	NETWORKING, SHORT	2198235-8
FIN TYPE	W/O INSULATING TAPE	15.5	SAN	2198235-7
FIN TYPE	W/O INSULATING TAPE	13.2	PCI	2198235-6
PIN TYPE	W/ INSULATING TAPE	22.5	NETWORKING, TALL	2198235-5
PIN TYPE	W/O INSULATING TAPE	22.5	NETWORKING, TALL	2198235-4
PIN TYPE	W/O INSULATING TAPE	18.1	NETWORKING, SHORT	2198235-3
PIN TYPE	W/O INSULATING TAPE	15.5	SAN	2198235-2
PIN TYPE	W/O INSULATING TAPE	13.2	PCI	2198235-1
HEAT SINK	DESCRIPTION	A MAX	APPLICATION	PART NUMBER

THIS DRAWING IS A CONTROLLED DOCUMENT.

OWN: B. MATTHEWS 15NOV2011
CHK: M. SCHMITT 15NOV2011
APVD: M. SCHMITT 15NOV2011

DIMENSIONS: mm
TOLERANCES UNLESS OTHERWISE SPECIFIED:
0 PLC ±0.1
1 PLC ±0.1
2 PLC ±0.1
3 PLC ±0.1
4 PLC ±0.1
ANGLES ±0.1°

MATERIAL: △
FINISH: △

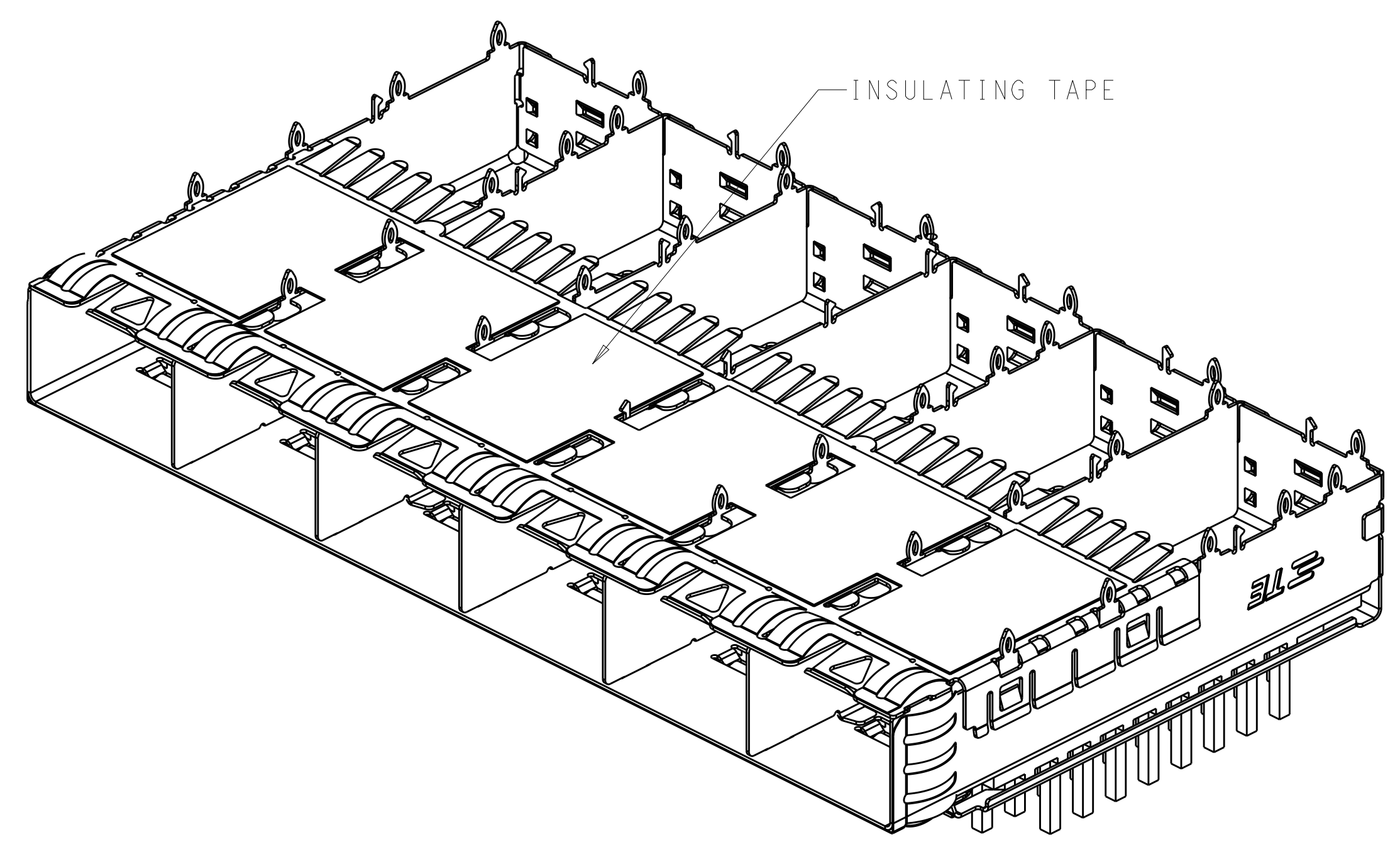
PRODUCT SPEC: 108-2364
APPLICATION SPEC: 114-13120
WEIGHT: -

Customer Drawing

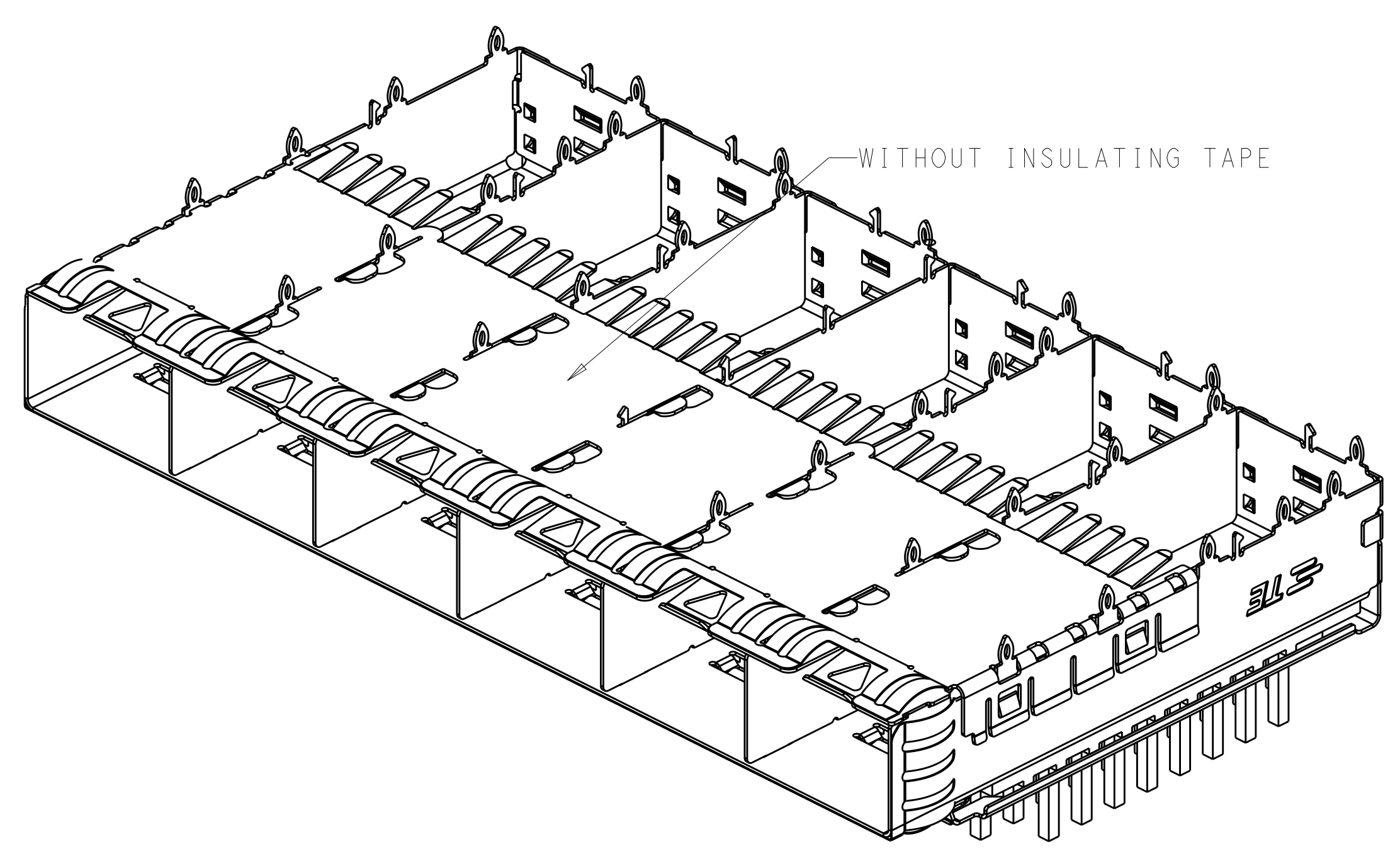
NAME: SFP+ ENHANCED 1X6 CAGE ASSEMBLY, PRESS FIT, EXTERNAL EMI SPRINGS WITH HEATSINK
SIZE: CAGE CODE DRAWING NO: A100779
SCALE: 4:1
SHEET 1 OF 7
REV: B2

TE Connectivity

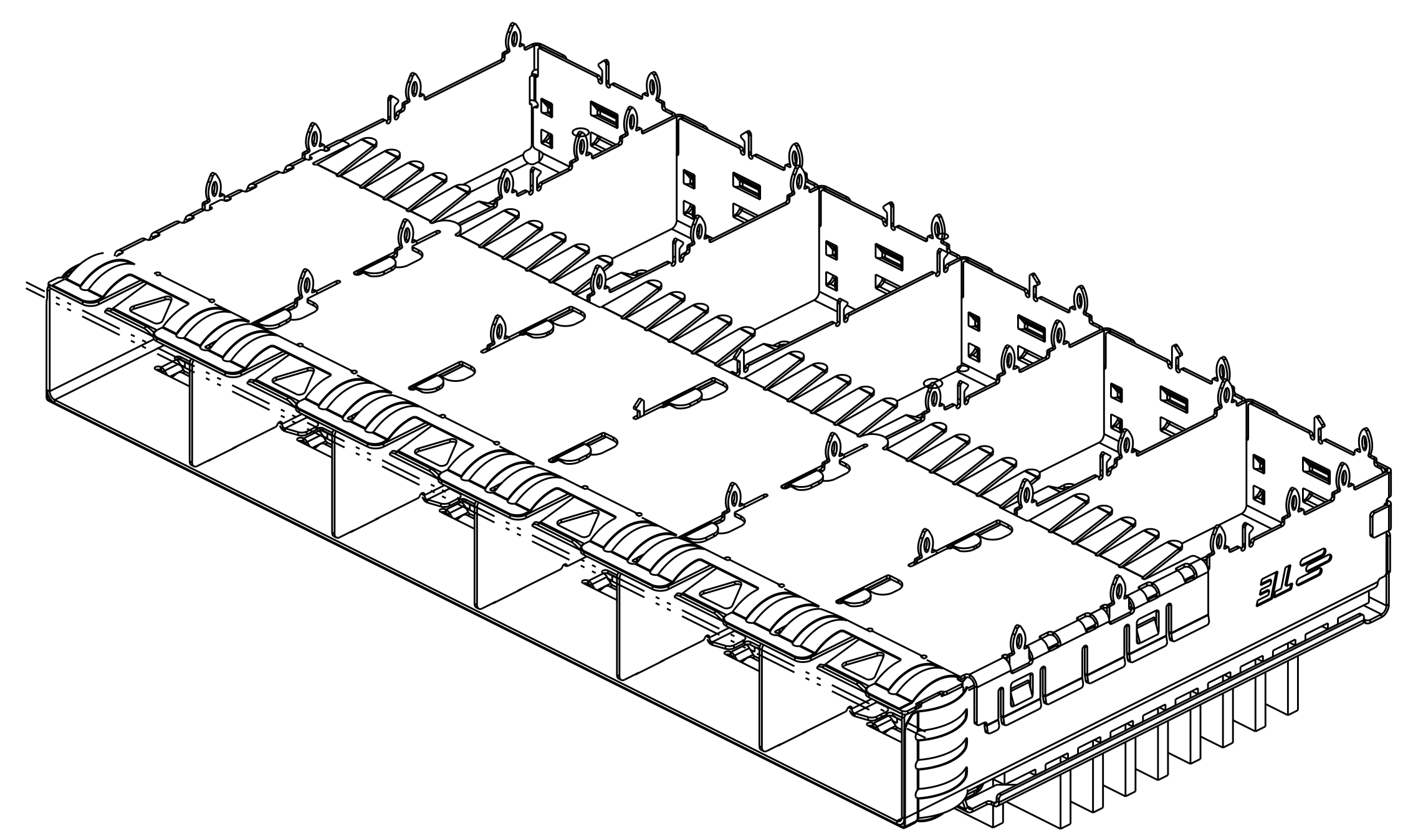
LOC	DIST	REVISIONS					
GP	00	P	LYR	DESCRIPTION	DATE	DWN	APVD
		-		SEE SHEET 1			



2198235-5 AS SHOWN WITH INSULATING TAPE
 WITH PIN TYPE HEAT SINK



2198235-1,2,3,4 WITHOUT INSULATING TAPE
 WITH PIN TYPE HEAT SINK

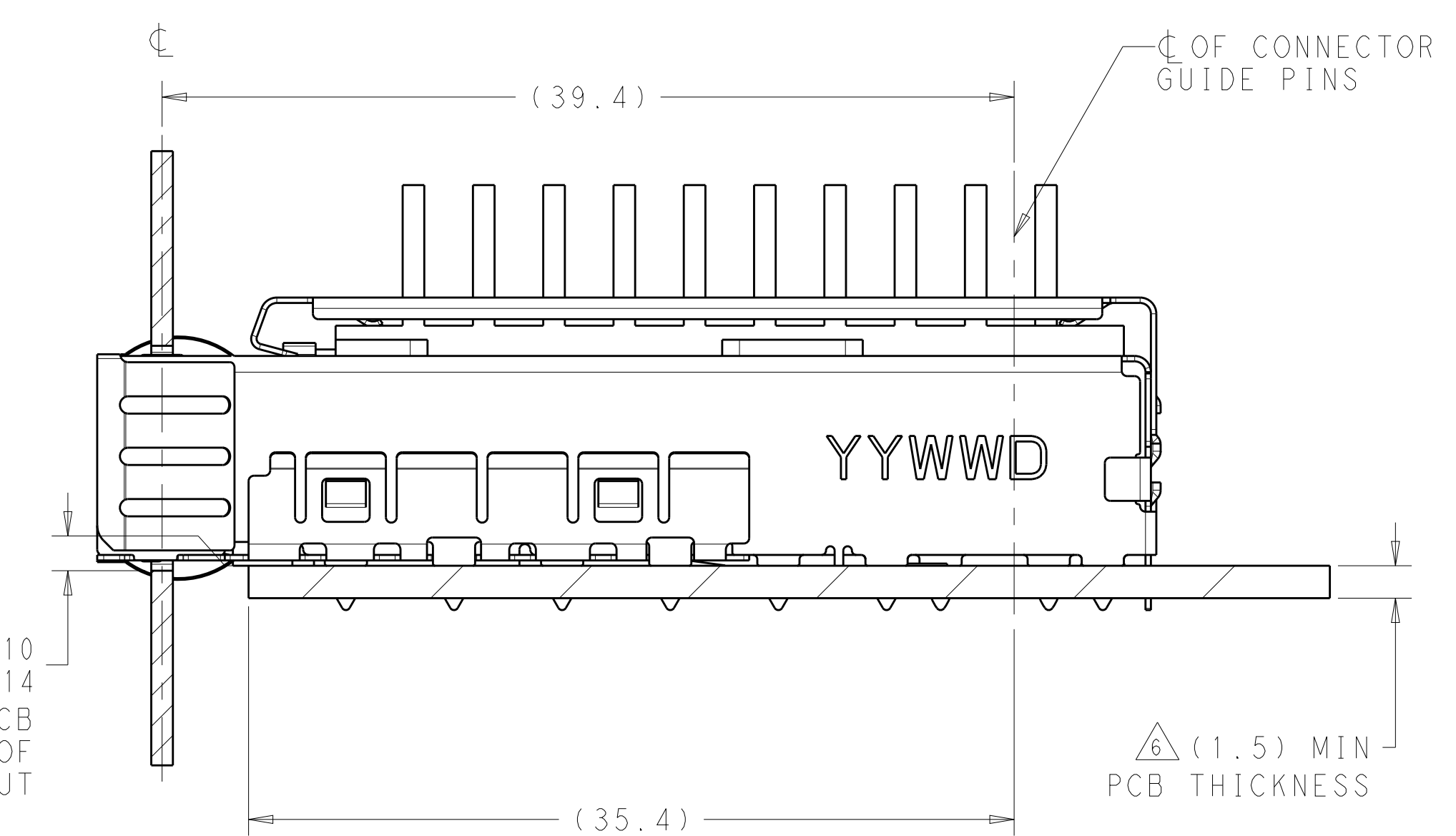
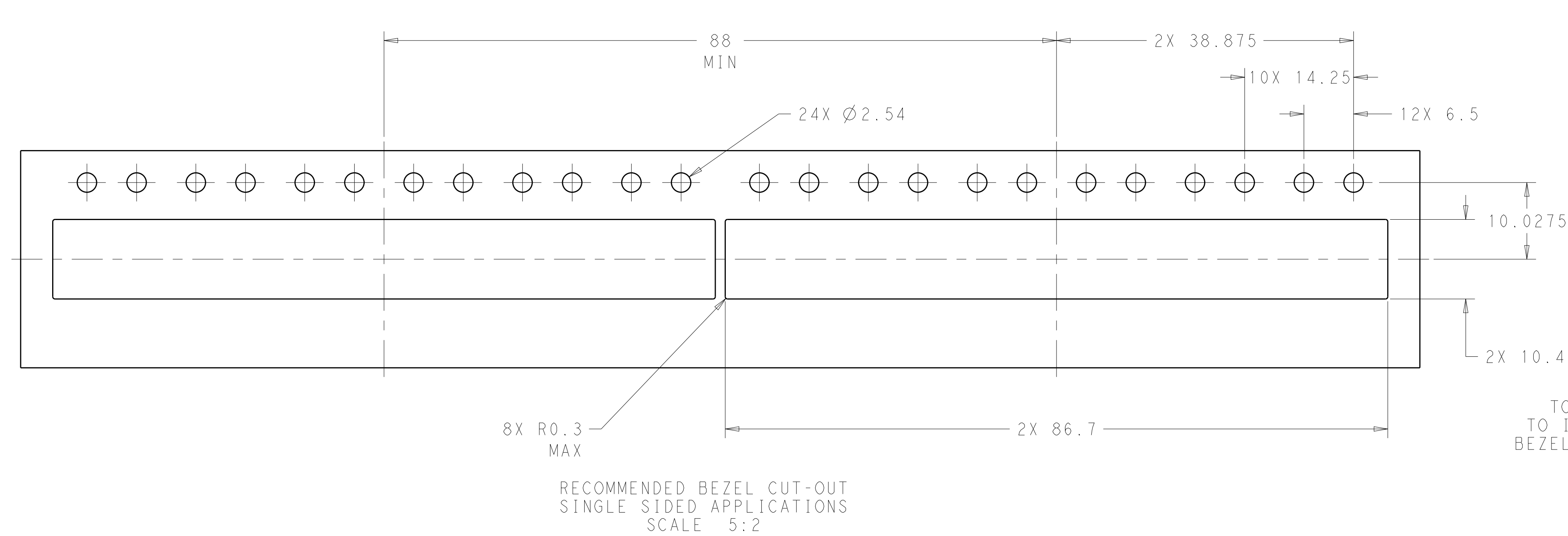


2198235-6,7,8,9 AS SHOWN WITHOUT INSULATING TAPE WITH FIN TYPE HEAT SINK

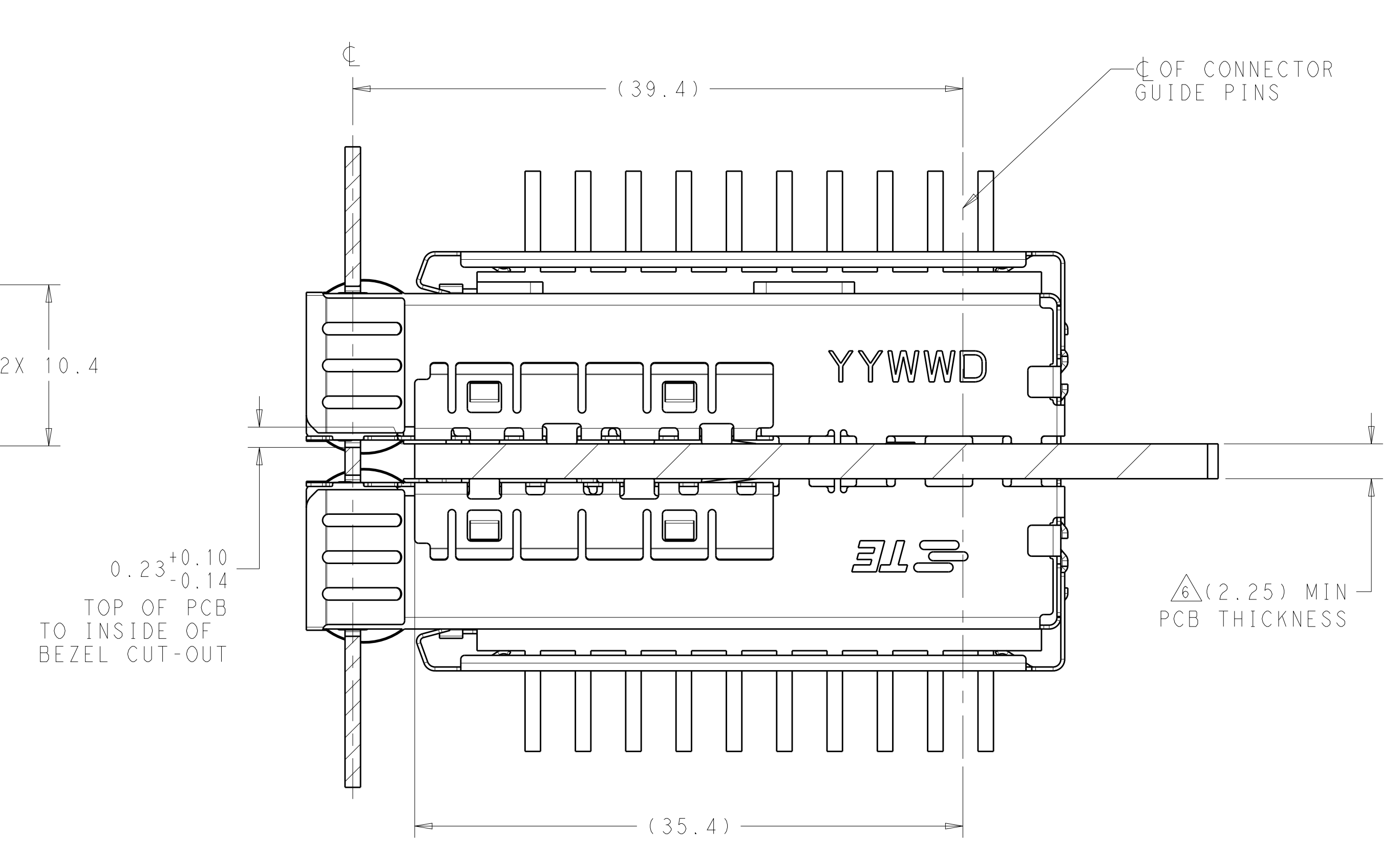
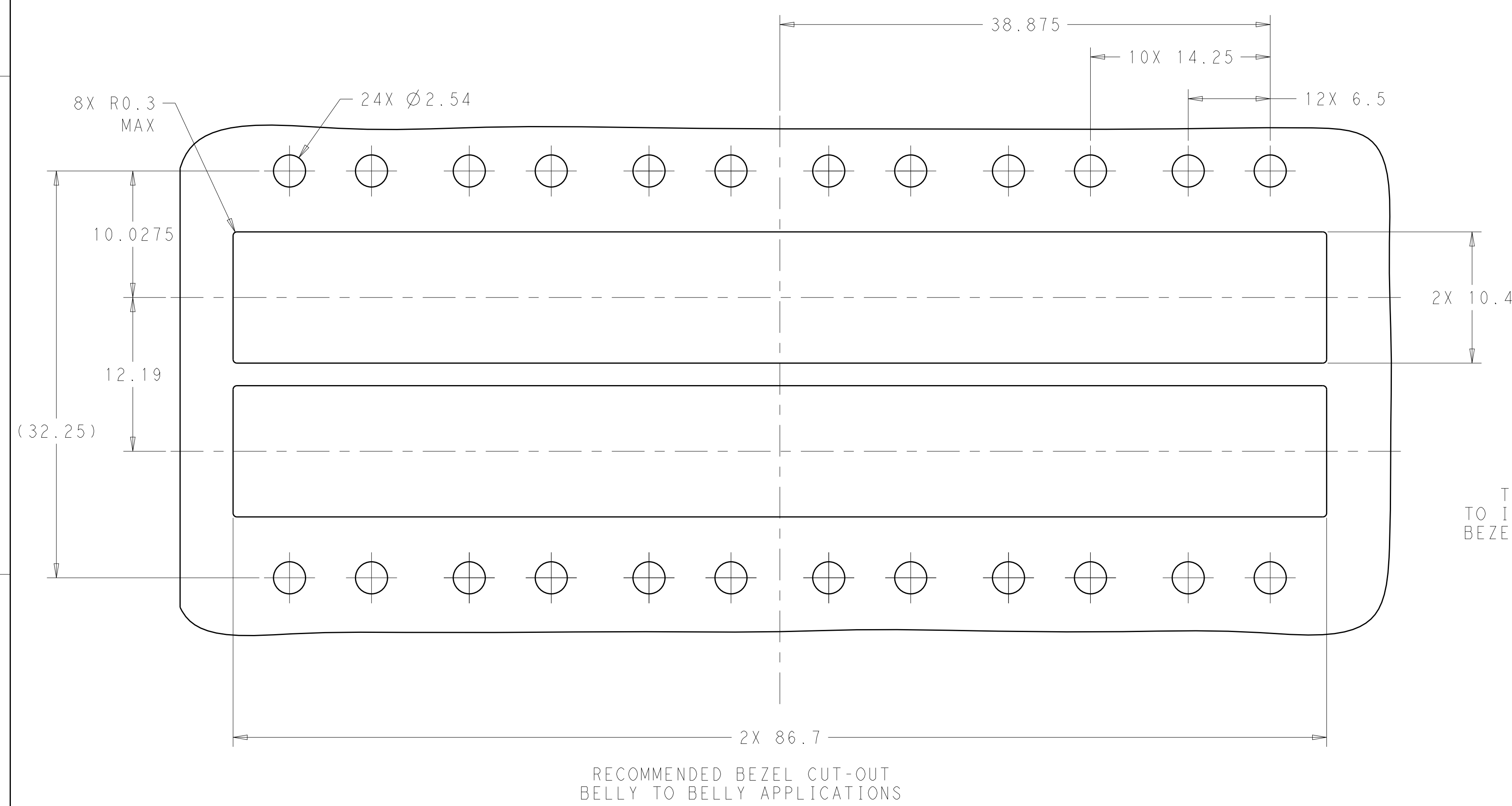
THIS DRAWING IS A CONTROLLED DOCUMENT.		DWN	B. MATTHEWS	15NOV2011	STE TE Connectivity
DIMENSIONS:		CHK	M. SCHMITT	15NOV2011	
mm	TOLERANCES UNLESS OTHERWISE SPECIFIED:	APVD	M. SCHMITT	15NOV2011	NAME SFP+ ENHANCED 1X6 CAGE ASSEMBLY, PRESS FIT, EXTERNAL EMI SPRINGS WITH HEATSINK
0 PLC	±0.1	PRODUCT SPEC	108-2364	SIZE	
1 PLC	±0.1	APPLICATION SPEC	114-13120	CAGE CODE	DRAWING NO
2 PLC	±0.1	WEIGHT	-	A100779	©=2198235
3 PLC	±0.1	MATERIAL	-	Customer Drawing	SCALE
4 PLC	±0.1	FINISH	-	4:1	SHEET
ANGLES	±1°			2	OF
				7	REV
				B2	

LOC	DIST	REV	DATE	BY	APPD
GP	00				

REVISIONS			
NO.	DESCRIPTION	DATE	BY
-	SEE SHEET 1	-	-



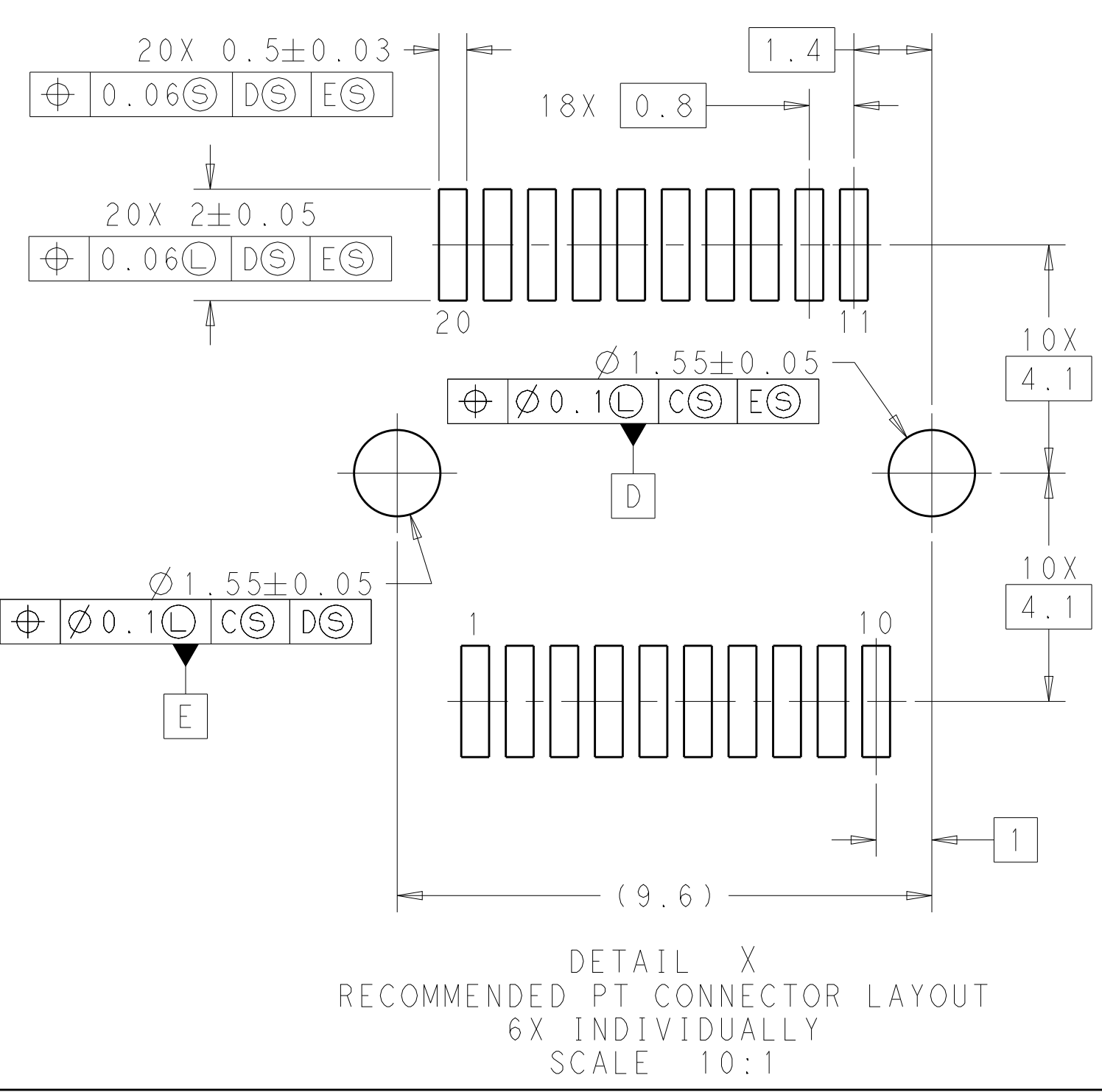
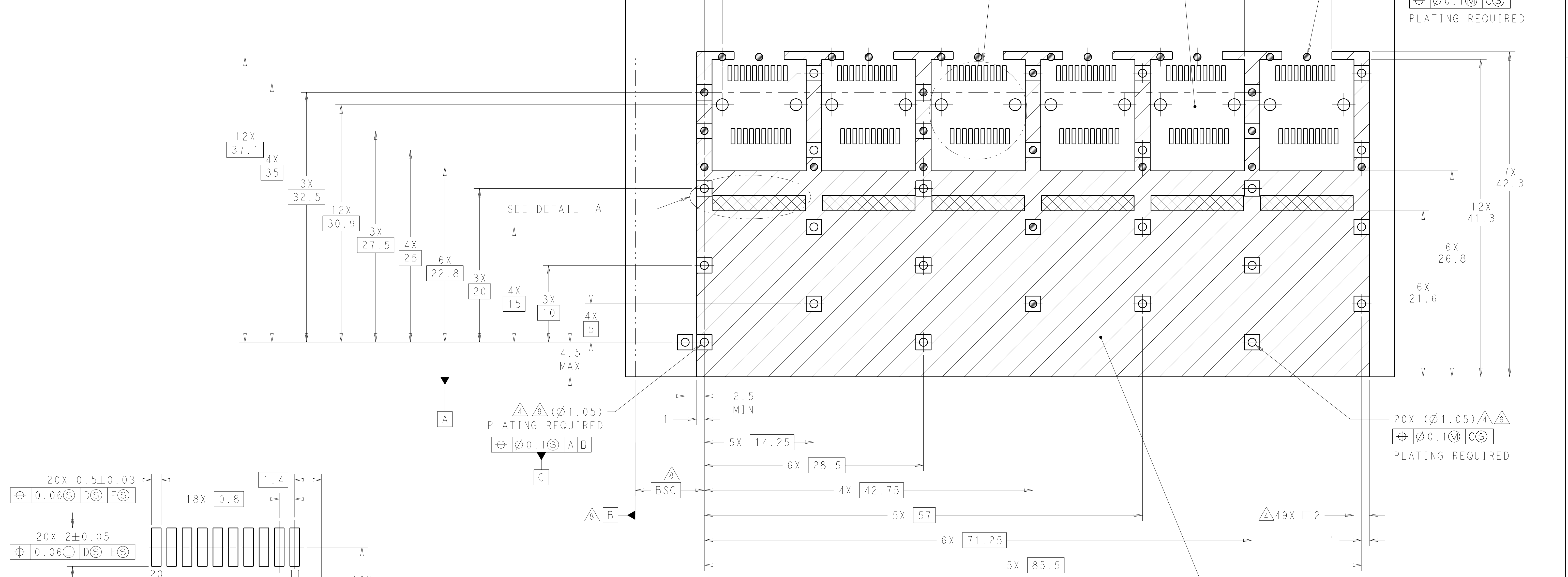
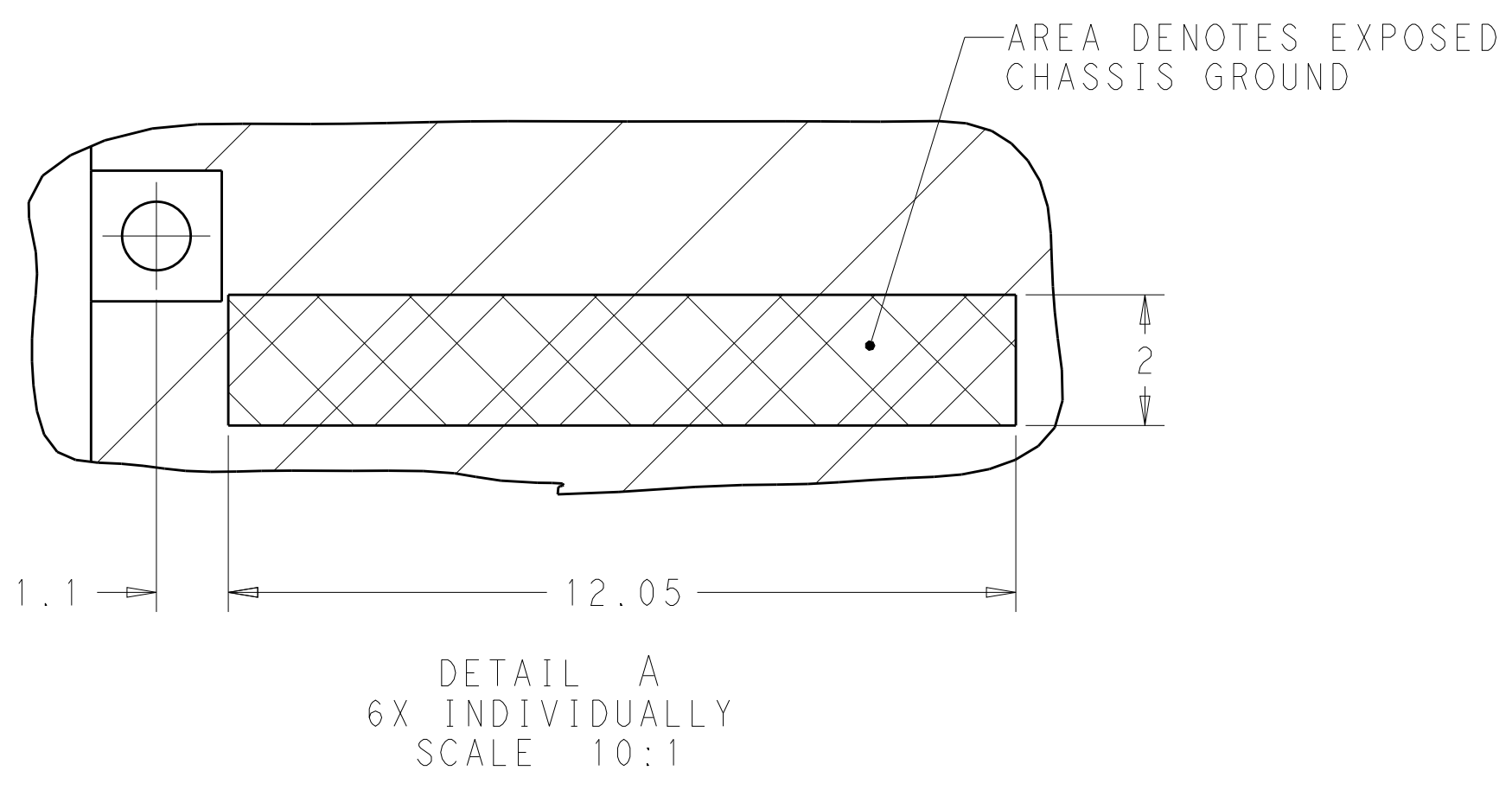
2198235
MOUNTED ON PC BOARD
SHOWN THRU RECOMMENDED BEZEL



2198235
MOUNTED BELLY TO BELLY ON PC BOARD
SHOWN THRU RECOMMENDED BEZEL

THIS DRAWING IS A CONTROLLED DOCUMENT.		OWN: B. MATTHEWS 15NOV2011	TE Connectivity
DIMENSIONS: mm		CHK: M. SCHMITT 15NOV2011	
TOLERANCES UNLESS OTHERWISE SPECIFIED:		APVD: M. SCHMITT 15NOV2011	NAME: SFP+ ENHANCED 1X6 CAGE ASSEMBLY, PRESS FIT, EXTERNAL EMI SPRINGS WITH HEATSINK PRODUCT SPEC: 108-2364 APPLICATION SPEC: 114-13120
0 PLC ±0.1 1 PLC ±0.1 2 PLC ±0.1 3 PLC ±0.1 4 PLC ±0.1 ANGLES ±1°		WEIGHT: - Customer Drawing	
MATERIAL:		FINISH: -	SIZE: A100779 CAGE CODE: C=2198235 SCALE: 4:1 SHEET 3 OF 7 REV: B2

LOC	DIST	REV	DATE	BY	APPV
GP	00				
REVISIONS					
DESCRIPTION			DATE	BY	APPV
SEE SHEET 1					

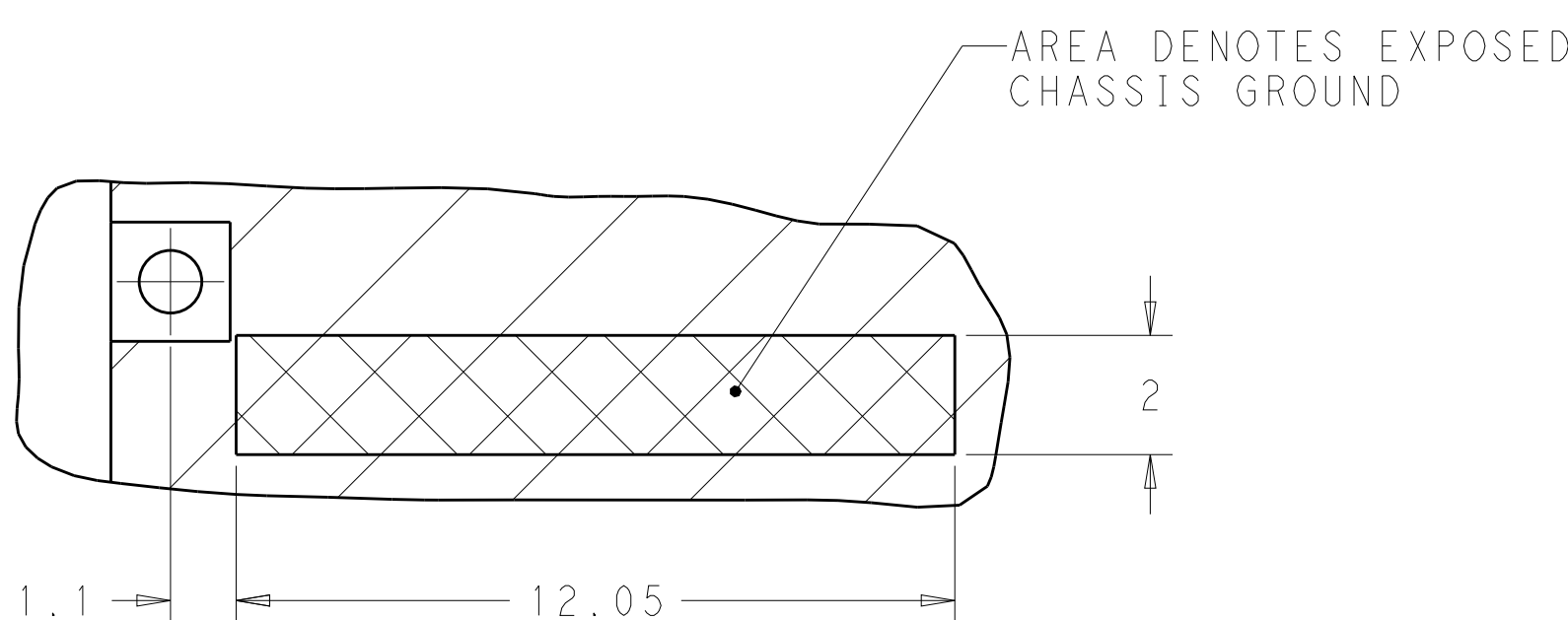


RECOMMENDED PCB CONFIGURATION WITH KEEP-OUT AREAS SINGLE SIDED APPLICATIONS SCALE 4:1 Δ

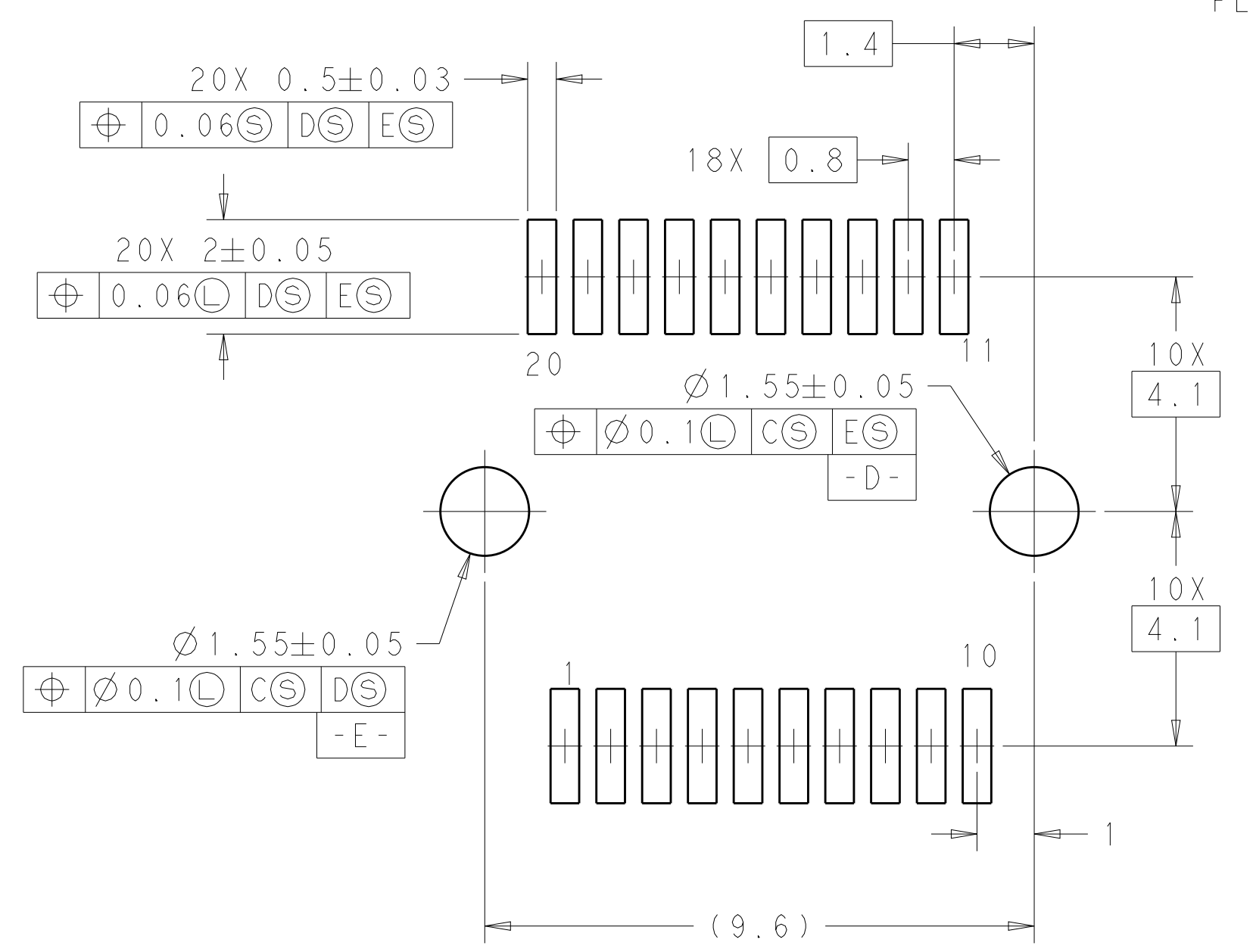
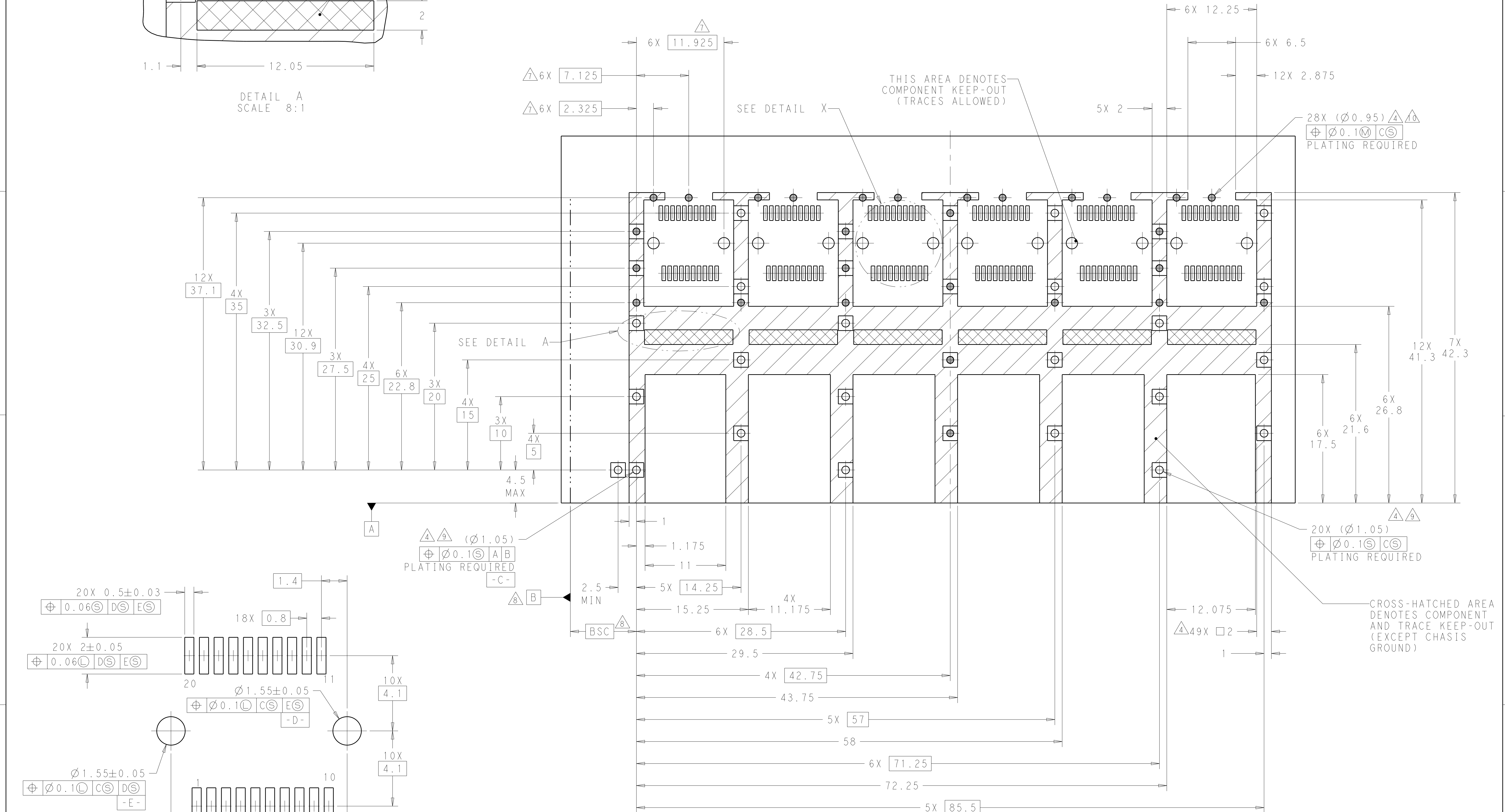
CROSS-HATCHED AREA DENOTES COMPONENT AND TRACE KEEP-OUT (EXCEPT CHASSIS GROUND)

THIS DRAWING IS A CONTROLLED DOCUMENT.		OWN: B. MATTHEWS 15NOV2011	TE Connectivity
DIMENSIONS: mm		CHK: M. SCHMITT 15NOV2011	
TOLERANCES UNLESS OTHERWISE SPECIFIED:		APVD: M. SCHMITT 15NOV2011	NAME: SFP+ ENHANCED 1X6 CAGE ASSEMBLY, PRESS FIT, EXTERNAL EMI SPRINGS WITH HEATSINK PRODUCT SPEC: 108-2364 APPLICATION SPEC: 114-13120
0 PLC ±0.1 1 PLC ±0.1 2 PLC ±0.1 3 PLC ±0.1 4 PLC ±0.1 ANGLES ±1°		WEIGHT: - Customer Drawing	
MATERIAL: Δ		FINISH: Δ	SIZE: A1 CAGE CODE: 00779 DRAWING NO: C=2198235 SCALE: 4:1 SHEET: 4 OF 7 REV: B2

LOC	DIST	REVISIONS			
GP	00	REV	DATE	BY	APPV
		1	SEE SHEET 1		



DETAIL A
SCALE 8:1

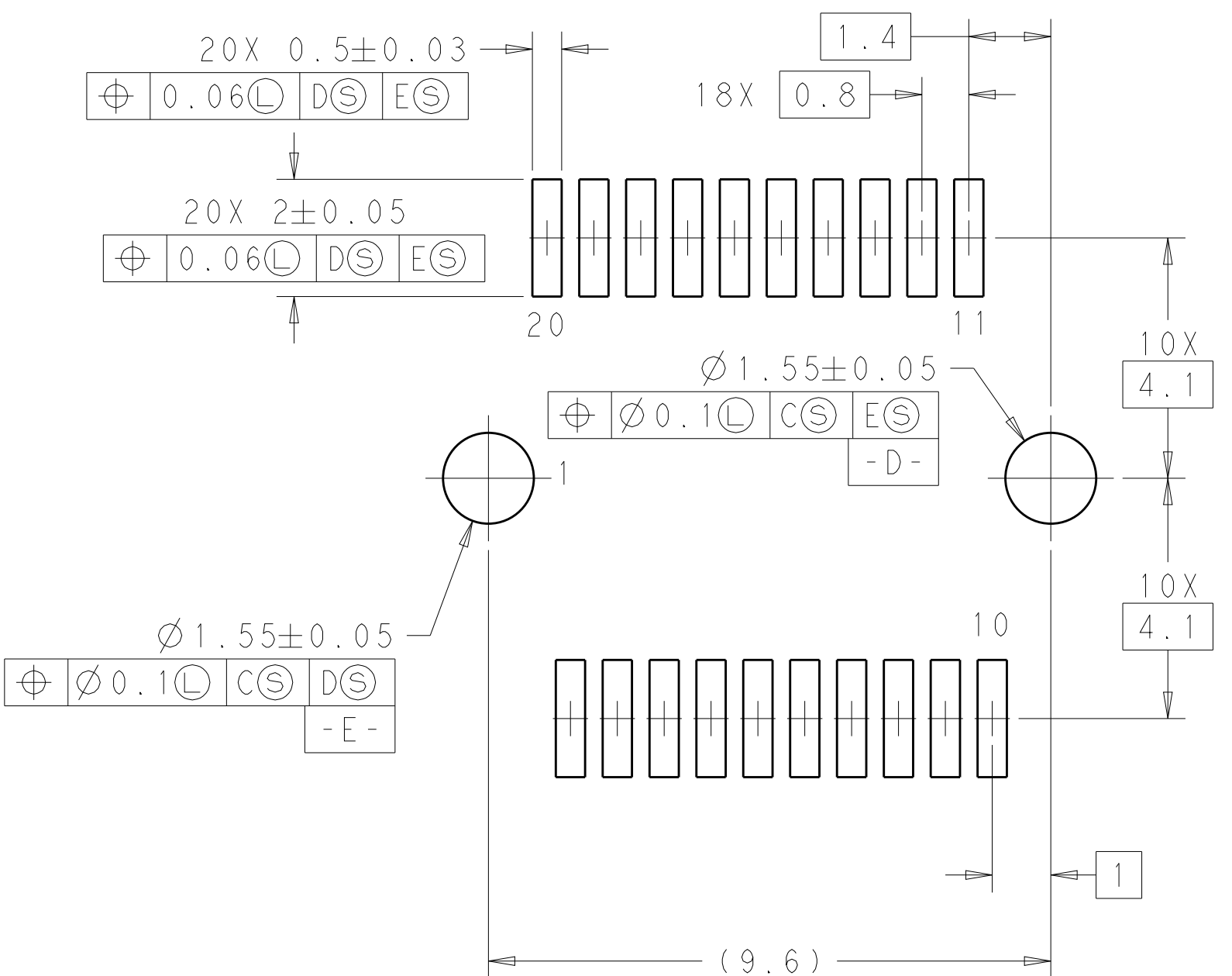
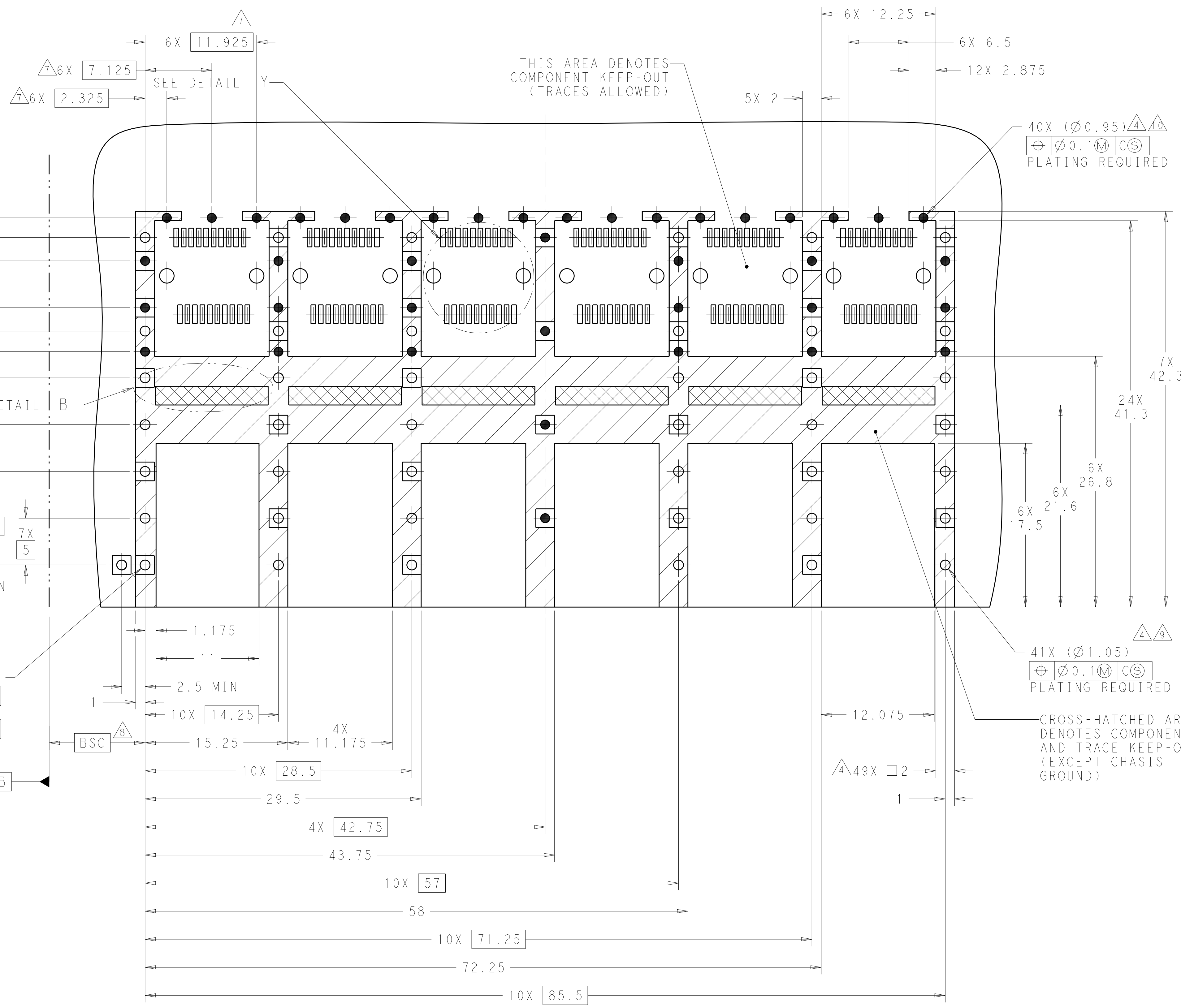
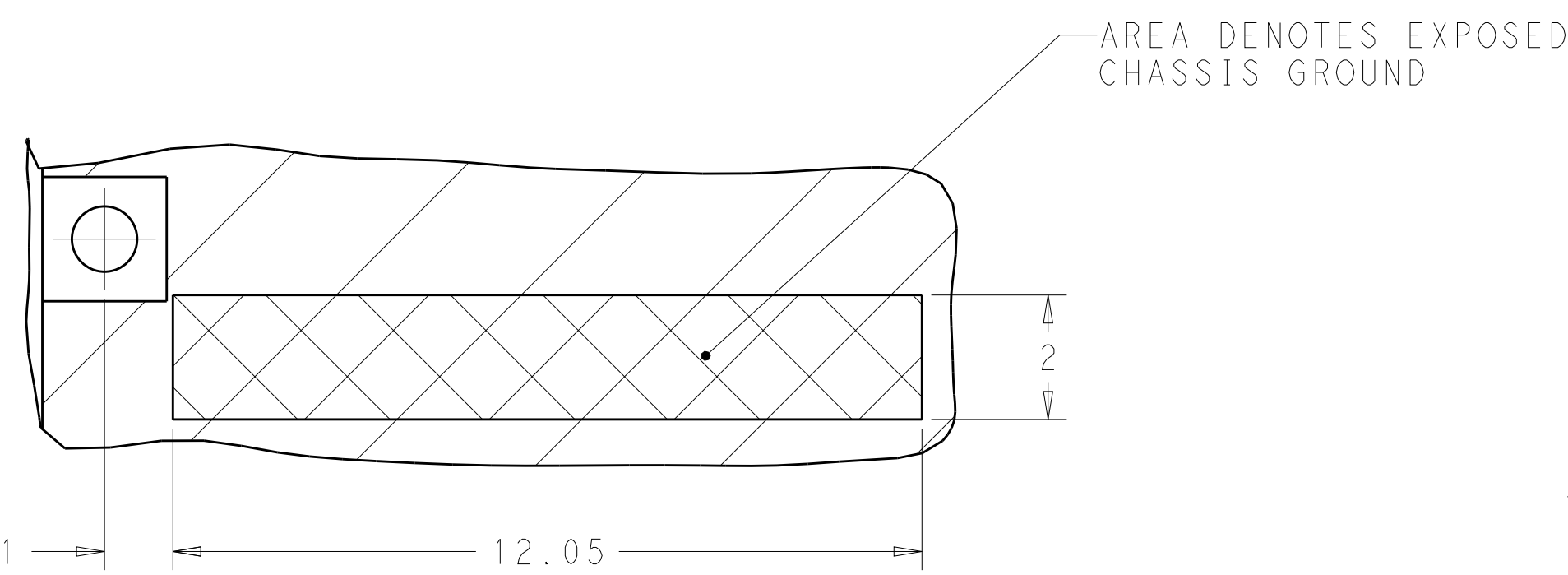


RECOMMENDED PT CONNECTOR LAYOUT
6X INDIVIDUALLY
DETAIL X
SCALE 10:1

RECOMMENDED PCB CONFIGURATION
WITH KEEP-OUT AREAS
SINGLE SIDED APPLICATIONS
FOR WITH INSULATING TAPE PART

THIS DRAWING IS A CONTROLLED DOCUMENT.		OWN: B. MATTHEWS 15NOV2011	TE Connectivity
DIMENSIONS: mm		CHK: M. SCHMITT 15NOV2011	
TOLERANCES UNLESS OTHERWISE SPECIFIED:		APVD: M. SCHMITT 15NOV2011	NAME: SFP+ ENHANCED 1X6 CAGE ASSEMBLY, PRESS FIT, EXTERNAL EMI SPRINGS WITH HEATSINK PRODUCT SPEC: 108-2364 APPLICATION SPEC: 114-13120 WEIGHT: - Customer Drawing
0 PLC ±0.1 1 PLC ±0.1 2 PLC ±0.1 3 PLC ±0.1 4 PLC ±0.1 ANGLES ±1°		SIZE: A1 CAGE CODE: 2198235 DRAWING NO: 100779	
MATERIAL: FINISH:		RESTRICTED TO: -	SCALE: 4:1 SHEET: 6 OF 7 REV: B2

LOC		DIST		REVISIONS			
GP		00		REV	DATE	OWN	APV
				1	SEE SHEET 1	-	-



RECOMMENDED PCB CONFIGURATION
 WITH KEEP-OUT AREAS
 BELLY TO BELLY APPLICATIONS
 FOR WITH INSULATING TAPE PART

THIS DRAWING IS A CONTROLLED DOCUMENT.		OWN: B. MATTHEWS 15NOV2011	 TE Connectivity
DIMENSIONS: mm		CHK: M. SCHMITT 15NOV2011	
TOLERANCES UNLESS OTHERWISE SPECIFIED:		APV: M. SCHMITT 15NOV2011	NAME: SFP+ ENHANCED 1X6 CAGE ASSEMBLY, PRESS FIT, EXTERNAL EMI SPRINGS WITH HEATSINK PRODUCT SPEC: 108-2364 APPLICATION SPEC: SIZE: CAGE CODE DRAWING NO. 114-13120 WEIGHT: Customer Drawing
0 PLC	±0.1	RESTRICTED TO	
1 PLC	±0.1	A100779C=2198235	
2 PLC	±0.1	SCALE 4:1 SHEET 7 OF 7 REV B2	
3 PLC	±0.1		
4 PLC	±0.1		
ANGLES	±1°		

Компания «Life Electronics» занимается поставками электронных компонентов импортного и отечественного производства от производителей и со складов крупных дистрибьюторов Европы, Америки и Азии.

С конца 2013 года компания активно расширяет линейку поставок компонентов по направлению коаксиальный кабель, кварцевые генераторы и конденсаторы (керамические, пленочные, электролитические), за счёт заключения дистрибьюторских договоров

Мы предлагаем:

- Конкуренспособные цены и скидки постоянным клиентам.
- Специальные условия для постоянных клиентов.
- Подбор аналогов.
- Поставку компонентов в любых объемах, удовлетворяющих вашим потребностям.
- Приемлемые сроки поставки, возможна ускоренная поставка.
- Доставку товара в любую точку России и стран СНГ.
- Комплексную поставку.
- Работу по проектам и поставку образцов.
- Формирование склада под заказчика.
- Сертификаты соответствия на поставляемую продукцию (по желанию клиента).
- Тестирование поставляемой продукции.
- Поставку компонентов, требующих военную и космическую приемку.
- Входной контроль качества.
- Наличие сертификата ISO.

В составе нашей компании организован Конструкторский отдел, призванный помогать разработчикам, и инженерам.

Конструкторский отдел помогает осуществить:

- Регистрацию проекта у производителя компонентов.
- Техническую поддержку проекта.
- Защиту от снятия компонента с производства.
- Оценку стоимости проекта по компонентам.
- Изготовление тестовой платы монтаж и пусконаладочные работы.



Тел: +7 (812) 336 43 04 (многоканальный)
Email: org@lifeelectronics.ru