



Main

| | |
|------------------------------|--|
| Range of product | Zelio Control |
| Product or component type | Modular measurement and control relays |
| Relay type | Temperature control relays |
| Product specific application | Heating or cooling HVAC Industrial machines Packaging |
| Relay name | RTC |

Complementary

| | |
|-----------------------------|--|
| Outer dimension | 1/16 DIN 48 x 48 mm |
| Analogue input type | Current 0...20 mA Current 4...20 mA Voltage 0...10 V DC Thermocouple (thermocouple J, K, R, B, S, T, E, N, PLII, C(W/Re5-26)) Temperature probe (temperature probe: Pt 100, JPt 100) Voltage 0...1 V DC Voltage 0...5 V DC Voltage 1...5 V DC |
| [Us] rated supply voltage | 100...240 V AC |
| [Us] rated supply voltage | 100...240 V AC |
| Supply voltage limits | 85...264 V |
| Measurement accuracy | 0.2 % full scale |
| Sampling duration | 250 ms |
| Number of outputs | 1 relay output with NO contact output 1 1 relay output with NO contact output 2 |
| Output type | Relay output at 250 V AC / 3 A on resistive load Relay output at 250 V AC / 1 A on inductive load |
| Alarm output | 1 C/O |
| Power consumption in VA | <= 8 VA at 250 V AC |
| Communication port protocol | Modbus RTU and ASCII |
| Method of access | Slave |
| Transmission frame | RTU/ASCII |
| Physical interface | RS485 non isolated |
| Exchange mode | Half duplex |
| Transmission rate | 9600, 19200 kbit/s |
| Function available | Auto tuning PID |
| Marking | CE |
| Operating position | Any position |
| Display type | 11 segments LCD |
| Display digits | 5 |
| Signalling function | Process value green, orange and red Output status (OUT1, OUT2) orange Alarm status (EV1, EV2) orange Transmission/reception activity (TX/TR) orange Setpoint value green |
| Mounting support | Panel |
| Product weight | 4.23 oz (120 g) |

The information provided in this documentation contains general descriptions and/or technical characteristics of the performance of the products contained herein. This documentation is not intended as a substitute for and is not to be used for determining suitability or reliability of these products for specific user applications. It is the duty of any such user or integrator to perform the appropriate and complete risk analysis, evaluation and testing of the products with respect to the relevant specific application or use thereof. Neither Schneider Electric Industries SAS nor any of its affiliates or subsidiaries shall be responsible or liable for misuse of the information contained herein.

Environment

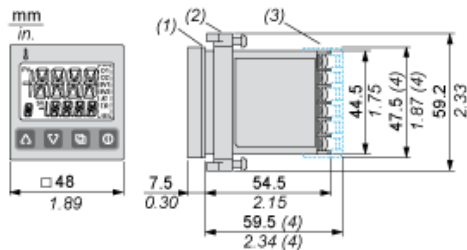
| | |
|---------------------------------------|--|
| standards | EN 61010-1 EN 61326-1 CSA C22.2 No 24-93 |
| product certifications | CURus (873) |
| ambient air temperature for storage | -13...176 °F (-25...80 °C) |
| ambient air temperature for operation | 32...122 °F (0...50 °C) |
| relative humidity | 35...85 % without condensation |
| vibration resistance | 1 gn at 10...55 Hz conforming to IEC 60068-2-6 |
| shock resistance | 10 gn conforming to IEC 60068-2-27 |
| IP degree of protection | IP20 (rear) IP66 (front face) conforming to IEC 60529 |
| NEMA degree of protection | NEMA 4X (front face) |

Offer Sustainability

| | |
|--|--|
| Green Premium product | Green Premium product |
| Compliant - since 1314 - Schneider Electric declaration of conformity | Compliant - since 1314 - Schneider Electric declaration of conformity |
| Reference not containing SVHC above the threshold | Reference not containing SVHC above the threshold |
| Available | Available |
| Available | Available |
| WARNING: This product can expose you to chemicals including: | WARNING: This product can expose you to chemicals including: |
| Lead and lead compounds, which is known to the State of California to cause cancer and birth defects or other reproductive harm. | Lead and lead compounds, which is known to the State of California to cause cancer and birth defects or other reproductive harm. |
| For more information go to www.p65warnings.ca.gov | For more information go to www.p65warnings.ca.gov |

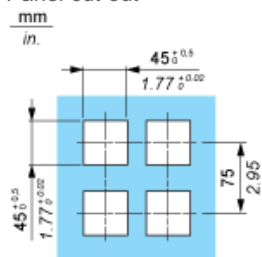
48 x 48 Size – 1/16 DIN Standard

Panel Mounting : Mounting Frame Supplied

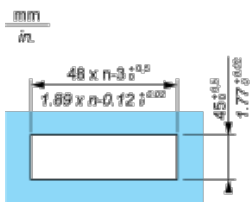


- (1) Gasket
- (2) Mounting frame
- (3) Terminal cover, to be ordered separately.
- (4) When Terminal cover (sold separately) is used

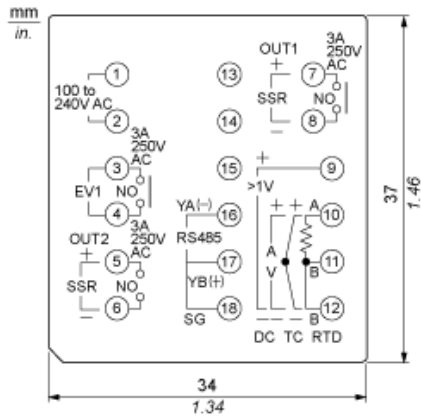
Panel cut-out



Side stick mounting: n units (water-proof property lost in this case)



Wiring Diagram



- EV : Alarm output
- OUT :Control output
- DC : DC current or DC voltage input
- TC : Thermocouple input
- RTD :Resistance temperature detector input
- RS485 :Serial communication
- SSR :Solid State relay

Компания «Life Electronics» занимается поставками электронных компонентов импортного и отечественного производства от производителей и со складов крупных дистрибьюторов Европы, Америки и Азии.

С конца 2013 года компания активно расширяет линейку поставок компонентов по направлению коаксиальный кабель, кварцевые генераторы и конденсаторы (керамические, пленочные, электролитические), за счёт заключения дистрибьюторских договоров

Мы предлагаем:

- Конкурентоспособные цены и скидки постоянным клиентам.
- Специальные условия для постоянных клиентов.
- Подбор аналогов.
- Поставку компонентов в любых объемах, удовлетворяющих вашим потребностям.
- Приемлемые сроки поставки, возможна ускоренная поставка.
- Доставку товара в любую точку России и стран СНГ.
- Комплексную поставку.
- Работу по проектам и поставку образцов.
- Формирование склада под заказчика.
- Сертификаты соответствия на поставляемую продукцию (по желанию клиента).
- Тестирование поставляемой продукции.
- Поставку компонентов, требующих военную и космическую приемку.
- Входной контроль качества.
- Наличие сертификата ISO.

В составе нашей компании организован Конструкторский отдел, призванный помогать разработчикам, и инженерам.

Конструкторский отдел помогает осуществить:

- Регистрацию проекта у производителя компонентов.
- Техническую поддержку проекта.
- Защиту от снятия компонента с производства.
- Оценку стоимости проекта по компонентам.
- Изготовление тестовой платы монтаж и пусконаладочные работы.



Тел: +7 (812) 336 43 04 (многоканальный)
Email: org@lifeelectronics.ru