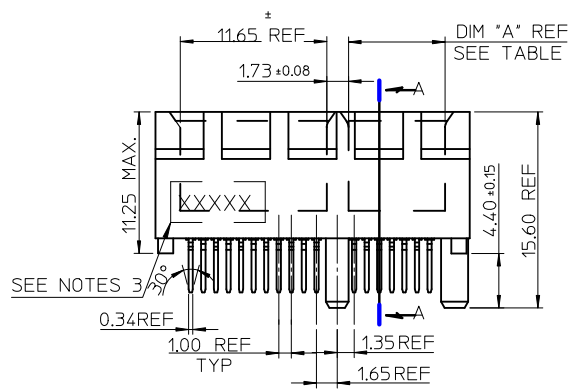




- NOTES:
- 1.MATERIALS:  
1-1.HOUSING: SEE TABLE ,GLASS FIBER FILLED UL94V-0, COLOR: SEE TABLE.  
1-2.CONTACT: SEE TABLE
  - 2.PLATING:  
2-1.CONTACT AREA: GOLD, THICKNESS : SEE TABLE .  
2-2.SOLDER TAIL: 100 MICRINCH MIN. TIN PLATING.  
2-3.UNDER PLATING: NICKEL PLATING OVERALL.
  - 3.WEEK CODE: XX(YEAR) XXI(WEEK) X(LOCATION),
  - 4.PRODUCT SPECIFICATION REFER TO PS-87715-200.
  - 5.PACKAGING SPECIFICATION REFER TO PK-87715-207.
  - 6.TEST SUMMARY:REFER TO TS-87715-207.
  - 7.LEAD FREE AND ROHS COMPLIANCE PRODUCT.



CONNECTOR LINK WIDTH	# POS REF	N	DIM 'A'	DIM 'B'	DIM 'C'
X1	36	6	7.65	25.00	9.15
X4	64	20	21.65	39.00	23.15
X8	98	37	38.65	56.00	40.15
X16	164	70	71.65	89.00	73.15

PCB THK (REF)	DIM 'D'
1.60	2.30
1.58	2.54
2.36	3.00

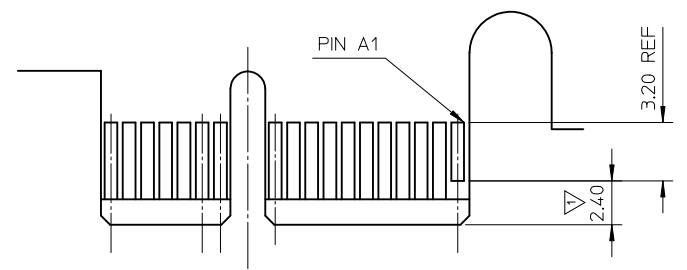
REVISED IEC NO: SH2010-0468 DRWNR:ZHANG CHYKD:ALLEN L LIN APPR:X.J.SONG	2010/06/15 2004/07/20 2010/07/02	QUALITY SYMBOLS F=0 E=0 A=0	GENERAL TOLERANCES (UNLESS SPECIFIED)		DIMENSION STYLE MM ONLY		SCALE	DESIGN UNITS	THIRD ANGLE PROJECTION		
			mm	INCH	DRAWN BY		DATE	TITLE			
			4 PLACES ± ---	± ---	TOM		2004/07/20	PCI EXPRESS EDGE CARD CONNECTOR (LEAD FREE VERSION)			
			3 PLACES ± ---	± ---	CHECKED BY		DATE				
2 PLACES ± 0.25	± ---	ALLEN LIN		2004/07/20	MOLEX INCORPORATED						
1 PLACE ± 0.25	± ---	APPROVED BY		DATE							
ANGULAR ± 3 °			WILSON		2004/07/20	DOCUMENT NO.		SHEET NO.			
DRAFT WHERE APPLICABLE MUST REMAIN WITHIN DIMENSIONS			SEE SHEET 4		SD-87715-207		1 OF 4				
THIS DRAWING CONTAINS INFORMATION THAT IS PROPRIETARY TO MOLEX INCORPORATED AND SHOULD NOT BE USED WITHOUT WRITTEN PERMISSION											





← I/O PANEL DIRECTION

PRIMARY (COMPONENT) SIDE



I/O PANEL DIRECTION →

SECONDARY (SOLDER) SIDE

- 1 NO TIE BAR PERMITTED FROM CARD EDGE TO LEADING EDGE OF PAD FOR PINS A1 AND "C".
- 2 CHAMFER EDGES MUST BE FREE OF CUTTING BURRS.
- 3. TOLERANCE: .XX±.13

CONNECTOR LINK WIDTH	# POS REF	N	DIM 'B'	'C' $\Delta$
X1	36	6	8.15	B17
X4	64	20	22.15	B17, B31
X8	98	37	39.15	B17, B31 B48
X16	164	70	72.15	B17, B31 B48, B81

SEE SHEET 1 EC NO: SH2010-0468 DRWR: ZHANG 2010/06/15 CHKD: ALLEN LIN 2004/07/20 APPR: XJ.SONG 2010/07/02	QUALITY SYMBOLS	GENERAL TOLERANCES (UNLESS SPECIFIED)	DIMENSION STYLE	SCALE	DESIGN UNITS	THIRD ANGLE PROJECTION
	$\nabla_{\text{A}}=0$	mm INCH	MM ONLY		METRIC	
	$\nabla_{\text{B}}=0$	4 PLACES ± --- ± ---	DRAWN BY DATE	TOM 2004/07/20	TITLE	PCI EXPRESS EDGE CARD CONNECTOR (LEAD FREE VERSION)
	$\nabla_{\text{C}}=0$	3 PLACES ± --- ± ---	CHECKED BY DATE	ALLEN LIN 2004/07/20		
$\nabla_{\text{D}}=0$	2 PLACES ± 0.25 ± ---	APPROVED BY DATE	WILSON 2004/07/20		MOLEX INCORPORATED	
	1 PLACE ± 0.25 ± ---	MATERIAL NO.		DOCUMENT NO.		
	ANGULAR ± 3°	DRAFT WHERE APPLICABLE MUST REMAIN WITHIN DIMENSIONS	SEE SHEET 4		SD-87715-207	SHEET NO. 3 OF 4
			SIZE A3	THIS DRAWING CONTAINS INFORMATION THAT IS PROPRIETARY TO MOLEX INCORPORATED AND SHOULD NOT BE USED WITHOUT WRITTEN PERMISSION		

MOLEX P/N	CIRCUIT SIZE	HOUSING MATERIAL	HOUSING COLOR	TERMINAL MATERIAL	CONTACT PLATING	SOLDER TAIL 'D' LENGTH	
87715-9001	36	NYLON46	BLACK	PHOSPHOR BRONZE	10 MICROINCH	2.54	
87715-9003					GOLD FLASH		
87715-9004					10 MICROINCH	3.00	
87715-9007					GOLD FLASH		
87715-9008					15 MICROINCH		2.30

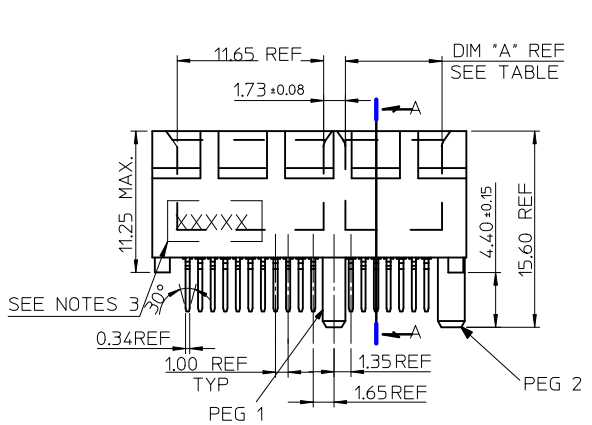
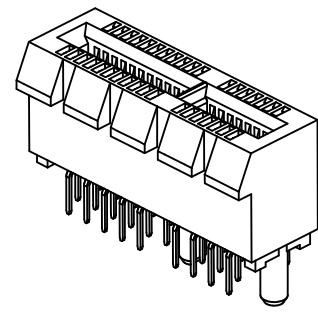
MOLEX P/N	CIRCUIT SIZE	HOUSING MATERIAL	HOUSING COLOR	TERMINAL MATERIAL	CONTACT PLATING	SOLDER TAIL 'D' LENGTH
87715-9100	64	NYLON46	BLACK	PHOSPHOR BRONZE	GOLD FLASH	2.54
87715-9101					10 MICROINCH	
87715-9102					15 MICROINCH	3.00
87715-9103					GOLD FLASH	
87715-9104					10 MICROINCH	
87715-9105					15 MICROINCH	
87715-9106					30 MICROINCH	2.54
87715-9107					GOLD FLASH	2.30
87715-9108					15 MICROINCH	
87715-9109					30 MICROINCH	

MOLEX P/N	CIRCUIT SIZE	HOUSING MATERIAL	HOUSING COLOR	TERMINAL MATERIAL	CONTACT PLATING	SOLDER TAIL 'D' LENGTH
87715-9200	98	NYLON46	BLACK	PHOSPHOR BRONZE	GOLD FLASH	2.54
87715-9201					10 MICROINCH	
87715-9202					15 MICROINCH	3.00
87715-9203					GOLD FLASH	
87715-9204					10 MICROINCH	
87715-9205					15 MICROINCH	
87715-9206					30 MICROINCH	2.54
87715-9207					GOLD FLASH	2.30
87715-9208					15 MICROINCH	
87715-9209					30 MICROINCH	

MOLEX P/N	CIRCUIT SIZE	HOUSING MATERIAL	HOUSING COLOR	TERMINAL MATERIAL	CONTACT PLATING	SOLDER TAIL 'D' LENGTH
87715-9602	98	NYLON46	BLACK	BRASS	15 MICROINCH	2.54

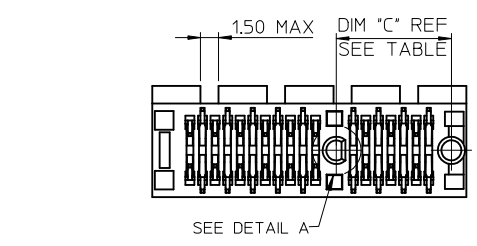
MOLEX P/N	CIRCUIT SIZE	HOUSING MATERIAL	HOUSING COLOR	TERMINAL MATERIAL	CONTACT PLATING	SOLDER TAIL 'D' LENGTH
87715-9301	164	NYLON46	BLACK	PHOSPHOR BRONZE	10 MICROINCH	2.54
87715-9304						3.00
87715-9307					GOLD FLASH	2.30
87715-9308					15 MICROINCH	

SEE SHEET 1 EC NO: SH2010-0468 DRWNR:ZHANG CHKD:ALLEN LIN APPR:XJ.SONG	QUALITY SYMBOLS	GENERAL TOLERANCES (UNLESS SPECIFIED)	DIMENSION STYLE	SCALE	DESIGN UNITS	THIRD ANGLE PROJECTION	
	$F_A=0$ $F_C=0$ $F_P=0$	mm    INCH 4 PLACES ± --- ± --- 3 PLACES ± --- ± --- 2 PLACES ± 0.25 ± --- 1 PLACE ± 0.25 ± --- ANGULAR ± 3 °	MM ONLY	DRAWN BY: TOM    DATE: 2004/07/20 CHECKED BY: ALLEN LIN    DATE: 2004/07/20 APPROVED BY: WILSON    DATE: 2004/07/20	METRIC		
		DRAFT WHERE APPLICABLE MUST REMAIN WITHIN DIMENSIONS	SEE TABLE	TITLE: PCI EXPRESS EDGE CARD CONNECTOR (LEAD FREE VERSION) MOLEX INCORPORATED DOCUMENT NO. SD-87715-207    SHEET NO. 4 OF 4			
			SIZE A3	THIS DRAWING CONTAINS INFORMATION THAT IS PROPRIETARY TO MOLEX INCORPORATED AND SHOULD NOT BE USED WITHOUT WRITTEN PERMISSION			



- NOTES:  
 1.MATERIALS:  
 1-1.HOUSING: SEE TABLE ,GLASS FIBER FILLED UL94V-0, COLOR: SEE TABLE.  
 1-2.CONTACT: SEE TABLE  
 2.PLATING:  
 2-1.CONTACT AREA: GOLD, THICKNESS : SEE TABLE .  
 2-2.SOLDER TAIL: 100 MICRONCH MIN. TIN PLATING.  
 2-3.UNDER PLATING: NICKEL PLATING OVERALL.  
 3.DATE CODE: YY MM DD.  
 4.PRODUCT SPECIFICATION REFER TO PS-87715-200.  
 5.TEST SUMMARY:REFER TO TS-87715-207.

CONNECTOR LINK WIDTH	# POS REF	N	DIM 'A'	DIM 'B'	DIM 'C'	PCB THK (REF)	DIM 'D'
X1	36	6	7.65	25.00	9.15	1.58	2.54
X16	164	70	71.65	89.00	73.15	2.36	3.00



REVISED EC NO: SH2011-0358 DRWN:FYANG05 2011/06/02 CHKD: APPR:RZHANG 2011/06/07 REV	QUALITY SYMBOLS	GENERAL TOLERANCES (UNLESS SPECIFIED)	DIMENSION STYLE	SCALE	DESIGN UNITS	THIRD ANGLE PROJECTION
	$\nabla = 0$ $\nabla = 0$ $\nabla = 0$	mm    INCH 4 PLACES ± --- ± --- 3 PLACES ± --- ± --- 2 PLACES ± 0.25 ± --- 1 PLACE ± 0.25 ± --- ANGULAR ± 3°	MM ONLY	SCALE	METRIC	
		DRAFT WHERE APPLICABLE MUST REMAIN WITHIN DIMENSIONS	DRAWN BY: DAVID HU    DATE: 2007/05/14 CHECKED BY: HARVEY    DATE: 2007/05/14 APPROVED BY: JENNY CHEN    DATE: 2007/05/14 MATERIAL NO.	TITLE		PCI EXPRESS EDGE CARD CONNECTOR (LEAD FREE VERSION)
			SEE SHEET 4 THIS DRAWING CONTAINS INFORMATION THAT IS PROPRIETARY TO MOLEX INCORPORATED AND SHOULD NOT BE USED WITHOUT WRITTEN PERMISSION	MOLEX MOLEX INCORPORATED	DOCUMENT NO. SD-87715-901	SHEET NO. 1 OF 4



1 THE HORIZONTAL AXIS FOR THE HOLE PATTERN IS ESTABLISHED BY A LINE THROUGH THE CENTER OF THE TWO  $\phi 2.35$  HOLES. THE VERTICAL AXIS IS 90° TO THE HORIZONTAL AXIS, THROUGH THE CENTER OF DATUM Z

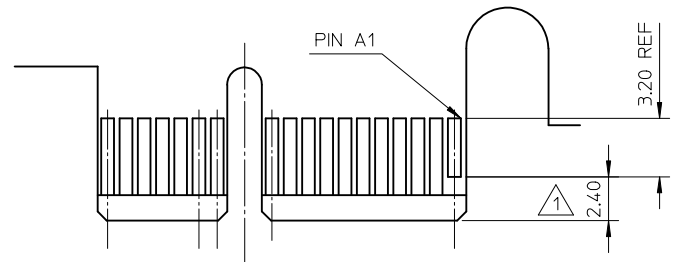
CONNECTOR LINK WIDTH	# POS REF	N	DIM 'A'
X1	36	6	9.15
X16	164	70	73.15

SEE SHEET 1 EC NO: SH2011-0358 DRWN: F YANG05 CH'KD: APPR: RZHANG REV	2011/06/02 2011/06/07 DESCRIPTION	QUALITY SYMBOLS	GENERAL TOLERANCES (UNLESS SPECIFIED)	DIMENSION STYLE	SCALE	DESIGN UNITS	THIRD ANGLE PROJECTION
		$F_A=0$ $F_C=0$ $F_P=0$	mm INCH 4 PLACES ± --- ± --- 3 PLACES ± --- ± --- 2 PLACES ± 0.25 ± --- 1 PLACE ± 0.25 ± --- ANGULAR ± 3°	MM ONLY		METRIC	
			DRAFT WHERE APPLICABLE MUST REMAIN WITHIN DIMENSIONS	DRAWN BY DATE DAVID HU 2007/05/14 CHECKED BY DATE HARVEY 2007/05/14 APPROVED BY DATE JENNY CHEN 2007/05/14 MATERIAL NO.	TITLE PCI EXPRESS EDGE CARD CONNECTOR (LEAD FREE VERSION)		
			SEE SHEET 1	MOLEX INCORPORATED DOCUMENT NO. SD-87715-901 SHEET NO. 2 OF 4			



← I/O PANEL DIRECTION

PRIMARY (COMPONENT) SIDE



I/O PANEL DIRECTION →

SECONDARY (SOLDER) SIDE

- 1 NO TIE BAR PERMITTED FROM CARD EDGE TO LEADING EDGE OF PAD FOR PINS A1 AND "C".
- 2 CHAMFER EDGES MUST BE FREE OF CUTTING BURRS.
- 3 TOLERANCE: .XX±.13

CONNECTOR LINK WIDTH	# POS REF	N	DIM 'B'	'C' 1
X1	36	6	8.15	B17
X16	164	70	72.15	B17, B31 B48,B81

SEE SHEET 1 EC NO: SH2011-0358 DRWN: YANG05 CHKD: APPR: RZHANG 2011/06/02 2011/06/07	QUALITY SYMBOLS	GENERAL TOLERANCES (UNLESS SPECIFIED)	DIMENSION STYLE	SCALE	DESIGN UNITS	THIRD ANGLE PROJECTION																					
	$F_A = 0$ $F_C = 0$ $F_B = 0$	<table border="1"> <tr> <th></th> <th>mm</th> <th>INCH</th> </tr> <tr> <td>4 PLACES</td> <td>± ---</td> <td>± ---</td> </tr> <tr> <td>3 PLACES</td> <td>± ---</td> <td>± ---</td> </tr> <tr> <td>2 PLACES</td> <td>± 0.25</td> <td>± ---</td> </tr> <tr> <td>1 PLACE</td> <td>± 0.25</td> <td>± ---</td> </tr> </table>		mm	INCH	4 PLACES	± ---	± ---	3 PLACES	± ---	± ---	2 PLACES	± 0.25	± ---	1 PLACE	± 0.25	± ---	MM ONLY	METRIC								
		mm	INCH																								
	4 PLACES	± ---	± ---																								
3 PLACES	± ---	± ---																									
2 PLACES	± 0.25	± ---																									
1 PLACE	± 0.25	± ---																									
<table border="1"> <tr> <td>ANGULAR ± 3°</td> </tr> </table>	ANGULAR ± 3°	<table border="1"> <tr> <td>DRAWN BY</td> <td>DATE</td> <td>TITLE</td> </tr> <tr> <td>DAVID HU</td> <td>2007/05/14</td> <td rowspan="2">PCI EXPRESS EDGE CARD CONNECTOR (LEAD FREE VERSION)</td> </tr> <tr> <td>CHECKED BY</td> <td>DATE</td> </tr> <tr> <td>HARVEY</td> <td>2007/05/14</td> <td rowspan="2">MOLEX INCORPORATED</td> </tr> <tr> <td>APPROVED BY</td> <td>DATE</td> </tr> <tr> <td>JENNY CHEN</td> <td>2007/05/14</td> <td>DOCUMENT NO.</td> </tr> <tr> <td>MATERIAL NO.</td> <td colspan="2">SEE SHEET 1</td> </tr> <tr> <td></td> <td>SIZE</td> <td>SHEET NO.</td> </tr> <tr> <td></td> <td>A3</td> <td>3 OF 4</td> </tr> </table>	DRAWN BY	DATE	TITLE	DAVID HU	2007/05/14	PCI EXPRESS EDGE CARD CONNECTOR (LEAD FREE VERSION)	CHECKED BY	DATE	HARVEY	2007/05/14	MOLEX INCORPORATED	APPROVED BY	DATE	JENNY CHEN	2007/05/14	DOCUMENT NO.	MATERIAL NO.	SEE SHEET 1			SIZE	SHEET NO.		A3	3 OF 4
ANGULAR ± 3°																											
DRAWN BY	DATE	TITLE																									
DAVID HU	2007/05/14	PCI EXPRESS EDGE CARD CONNECTOR (LEAD FREE VERSION)																									
CHECKED BY	DATE																										
HARVEY	2007/05/14	MOLEX INCORPORATED																									
APPROVED BY	DATE																										
JENNY CHEN	2007/05/14	DOCUMENT NO.																									
MATERIAL NO.	SEE SHEET 1																										
	SIZE	SHEET NO.																									
	A3	3 OF 4																									
DRAFT WHERE APPLICABLE MUST REMAIN WITHIN DIMENSIONS		THIS DRAWING CONTAINS INFORMATION THAT IS PROPRIETARY TO MOLEX INCORPORATED AND SHOULD NOT BE USED WITHOUT WRITTEN PERMISSION																									



MOLEX P/N	CIRCUIT SIZE	HOUSING MATERIAL	HOUSING COLOR	TERMINAL MATERIAL	CONTACT PLATING	SOLDER TAIL 'D' LENGTH	PEG 1	PEG 2	DESCRIPTION
87715-9000	36	NYLON46	BLACK	PHOSPHOR BRONZE	GOLD FLASH	2.54	WITH	WITH	TOOLED
87715-9002					15 MICROINCH				
87715-9005					15 MICROINCH	3.00			
87715-9006					30 MICROINCH				
87715-9009					30 MICROINCH				



MOLEX P/N	CIRCUIT SIZE	HOUSING MATERIAL	HOUSING COLOR	TERMINAL MATERIAL	CONTACT PLATING	SOLDER TAIL 'D' LENGTH	PEG 1	PEG 2	DESCRIPTION
87715-9300	164	NYLON46	BLACK	PHOSPHOR BRONZE	GOLD FLASH	2.54	WITH	WITH	TOOLED
87715-9302					15 MICROINCH				
87715-9303					GOLD FLASH	3.00			
87715-9305					15 MICROINCH				
87715-9306					30 MICROINCH				
87715-9309					30 MICROINCH				

SEE SHEET 1 EC NO: SH2011-0358 DRAWN: FANG05 CHK'D: APPR: RZHANG 2011/06/02 2011/06/07	QUALITY SYMBOLS	GENERAL TOLERANCES (UNLESS SPECIFIED)	DIMENSION STYLE	SCALE	DESIGN UNITS	THIRD ANGLE PROJECTION
	$F_A=0$ $F_C=0$ $F_P=0$	mm      INCH 4 PLACES ± --- ± --- 3 PLACES ± --- ± --- 2 PLACES ± 0.25 ± --- 1 PLACE ± 0.25 ± --- ANGULAR ± 3 °	MM ONLY		METRIC	
		DRAFT WHERE APPLICABLE MUST REMAIN WITHIN DIMENSIONS	DRAWN BY: DAVID HU      DATE: 2007/05/14 CHECKED BY: HARVEY      DATE: 2007/05/14 APPROVED BY: JENNY CHEN      DATE: 2007/05/14	TITLE: PCI EXPRESS EDGE CARD CONNECTOR (LEAD FREE VERSION) MOLEX INCORPORATED		
			MATERIAL NO. SEE SHEET 1 SIZE: A3 THIS DRAWING CONTAINS INFORMATION THAT IS PROPRIETARY TO MOLEX INCORPORATED AND SHOULD NOT BE USED WITHOUT WRITTEN PERMISSION	DOCUMENT NO. SD-87715-901	SHEET NO. 4 OF 4	



Компания «Life Electronics» занимается поставками электронных компонентов импортного и отечественного производства от производителей и со складов крупных дистрибьюторов Европы, Америки и Азии.

С конца 2013 года компания активно расширяет линейку поставок компонентов по направлению коаксиальный кабель, кварцевые генераторы и конденсаторы (керамические, пленочные, электролитические), за счёт заключения дистрибьюторских договоров

Мы предлагаем:

- Конкурентоспособные цены и скидки постоянным клиентам.
- Специальные условия для постоянных клиентов.
- Подбор аналогов.
- Поставку компонентов в любых объемах, удовлетворяющих вашим потребностям.
- Приемлемые сроки поставки, возможна ускоренная поставка.
- Доставку товара в любую точку России и стран СНГ.
- Комплексную поставку.
- Работу по проектам и поставку образцов.
- Формирование склада под заказчика.
- Сертификаты соответствия на поставляемую продукцию (по желанию клиента).
- Тестирование поставляемой продукции.
- Поставку компонентов, требующих военную и космическую приемку.
- Входной контроль качества.
- Наличие сертификата ISO.

В составе нашей компании организован Конструкторский отдел, призванный помогать разработчикам, и инженерам.

Конструкторский отдел помогает осуществить:

- Регистрацию проекта у производителя компонентов.
- Техническую поддержку проекта.
- Защиту от снятия компонента с производства.
- Оценку стоимости проекта по компонентам.
- Изготовление тестовой платы монтаж и пусконаладочные работы.

