

4

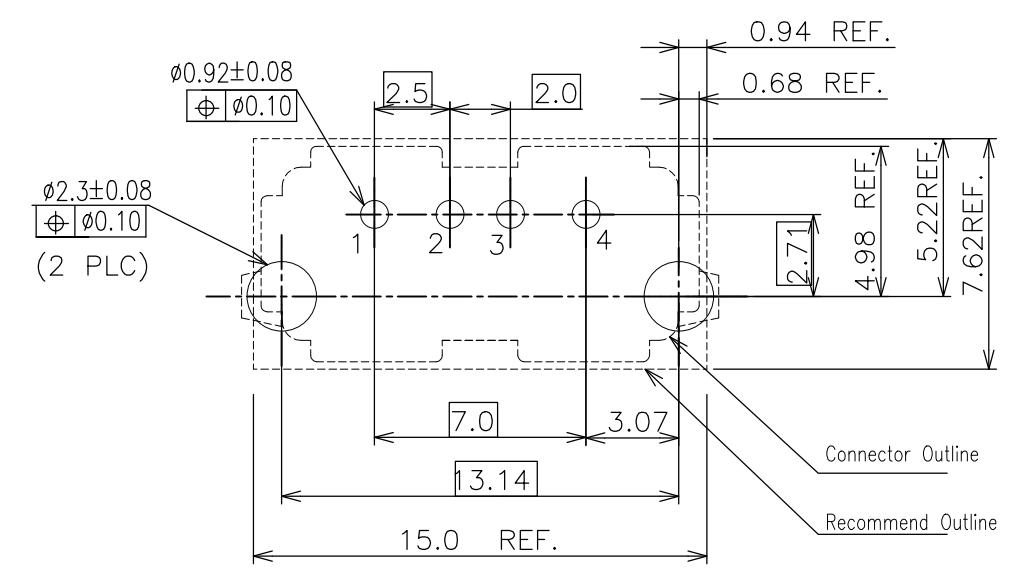
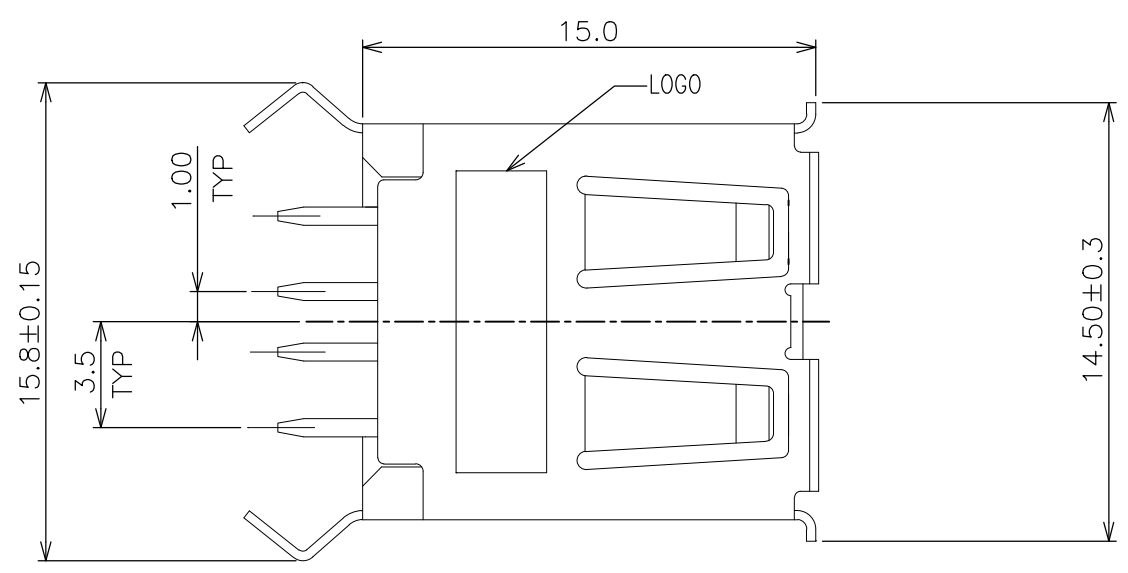
3

2

1

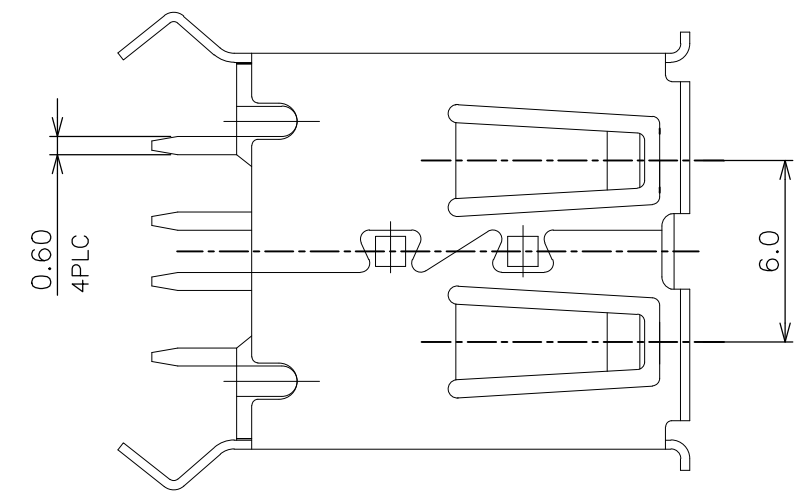
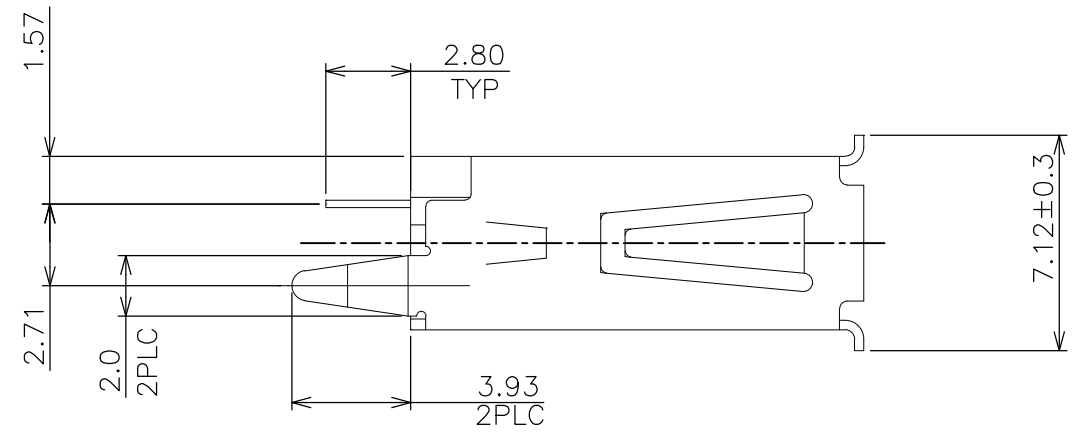
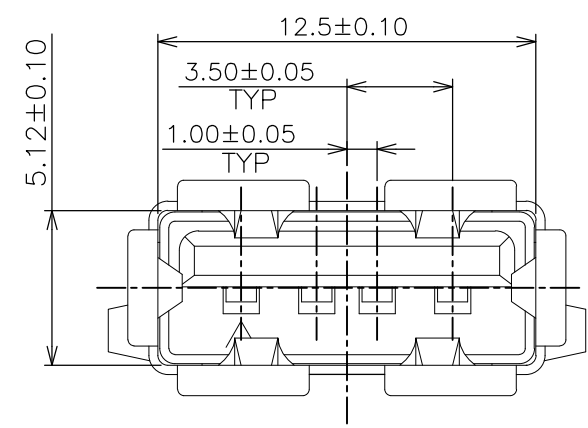
THIS DRAWING IS UNPUBLISHED. RELEASED FOR PUBLICATION
 © COPYRIGHT BY TYCO ELECTRONICS CORPORATION. ALL RIGHTS RESERVED.

LOC DW	DIST /	REVISIONS			
P	LTR	DESCRIPTION	DATE	DWN	APVD
	C5	REVISED PER E-17-008108	6JUN17	A.X	H.W



RECOMMENDED P.C. BOARD LAYOUT (T=1.6)
(TOP VIEW) (TOLERANCE: ±0.05)

- NOTE:
- MATERIAL:
 - HOUSING: PBT (SOLDER CAPABLE, UL 94-V0, COLOR: SEE TABLE.)
 - HOUSING: PA9T (REFLOW CAPABLE, UL 94-V0, COLOR: SEE TABLE.)
 - CAP: LCP (REFLOW CAPABLE, UL 94-V0, COLOR: BLACK.)
 - BACK STOPPER: PBT (SOLDER CAPABLE, UL 94-V0, COLOR: BLACK.)
 - CONTACT: PHOSPHOR BRONZE, THICKNESS = 0.25mm.
 - SHIELD: BRASS, THICKNESS = 0.30mm.
 - FINISH:
 - CONTACT: GOLD FLASH OVER
 - 0.762um [30u"] MIN. PALLADIUM-NICKEL PLATED ON CONTACT
 - 2.54um [100u"] MIN. MATTE-TIN ON SOLDER TAILS,
 - 1.27um [50u"] MIN. NICKEL UNDERPLATED ALL OVER.
 - SHIELD: 2.54um [100u"] MIN. TIN PLATED OVER
 - 1.27um [50u"] MIN. NICKEL UNDERPLATED
 - SHIELD: 0.762-2.03um [30-80u"] SOLDERABLE NICKEL OVER 0.762-2.03um [30-80u"] COPPER



SEE SHEET 4	BLACK	1734366-5	△	△
SEE SHEET 5	BLACK	1734366-4	△	△
	BLUE	1734366-3		
SEE SHEET 4	WHITE	1734366-2	△	△
	BLACK	1734366-1		
PACKING	HSG'S COLOR	PART NUMBER	HOUSING MATERIAL	SHIELD FINISH

THIS DRAWING IS A CONTROLLED DOCUMENT.		DWN S. CHIEN 19SEP2008	TE Connectivity			
		CHK S. CHIEN 19SEP2008				
		APVD W.KODAMA 19SEP2008	NAME			
DIMENSIONS: mm 		PRODUCT SPEC 108-57547	RECEIPT ASSY, VERTICAL, 4 POSITION THRU-HOLE, TYPE A USB			
TOLERANCES UNLESS OTHERWISE SPECIFIED: 0 PLC ± 0.38 1 PLC ± 0.25 2 PLC ± 0.13 3 PLC ± 0.05 ANGLES ± 2° FINISH SEE NOTE		APPLICATION SPEC 501-57635				
MATERIAL SEE NOTE		WEIGHT 1.82 GRAMS	SIZE A3	CAGE CODE 00779	DRAWING NO C=1734366	RESTRICTED TO
CUSTOMER DRAWING			SCALE -	SHEET 1 OF 6	REV C5	

4

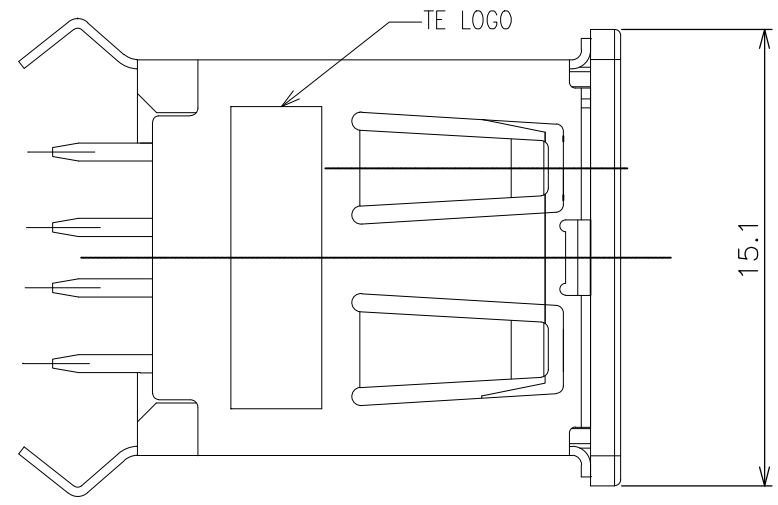
3

2

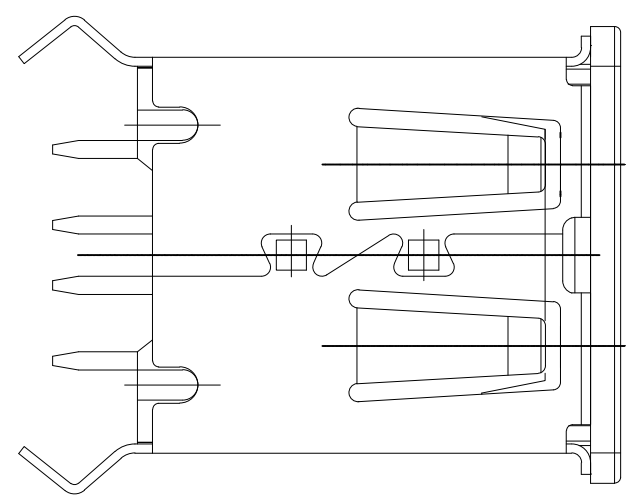
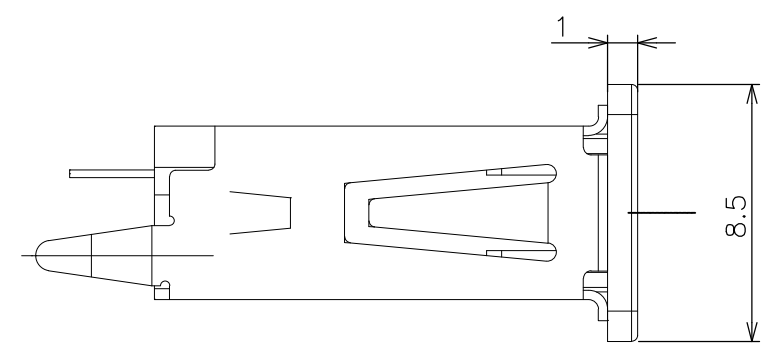
1

THIS DRAWING IS UNPUBLISHED. RELEASED FOR PUBLICATION
 © COPYRIGHT BY TYCO ELECTRONICS CORPORATION. ALL RIGHTS RESERVED.

LOC		DIST		REVISIONS				
P	LTR	DESCRIPTION			DATE	DWN	APVD	



1734366-6 AS SHOW
 OTHER DIMENSIONS ARE THE SAME AS SHEET1



SEE SHEET 6	BLACK	1734366-6	△	△
PACKING	HSG'S COLOR	PART NUMBER	HOUSING MATERIAL	SHIELD FINISH

THIS DRAWING IS A CONTROLLED DOCUMENT.		DWN				
DIMENSIONS: mm		CHK				
TOLERANCES UNLESS OTHERWISE SPECIFIED: 0 PLC ± 0.38 1 PLC ± 0.25 2 PLC ± 0.13 3 PLC ± 0.05 ANGLES ± 2° FINISH		APVD	NAME			
MATERIAL		PRODUCT SPEC	RECEPT ASSY,VERTICAL,4POSITION THRU-HOLE,TYPE A USB			
		APPLICATION SPEC	SIZE	CAGE CODE	DRAWING NO	RESTRICTED TO
		WEIGHT	A3	00779	C=1734366	—
CUSTOMER DRAWING			SCALE	SHEET	REV	
			—	2 OF 6	C5	

4

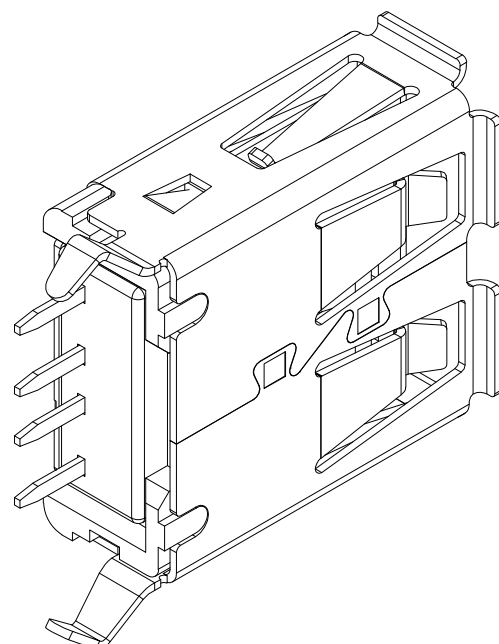
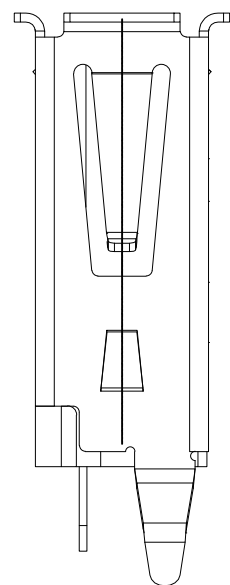
3

2

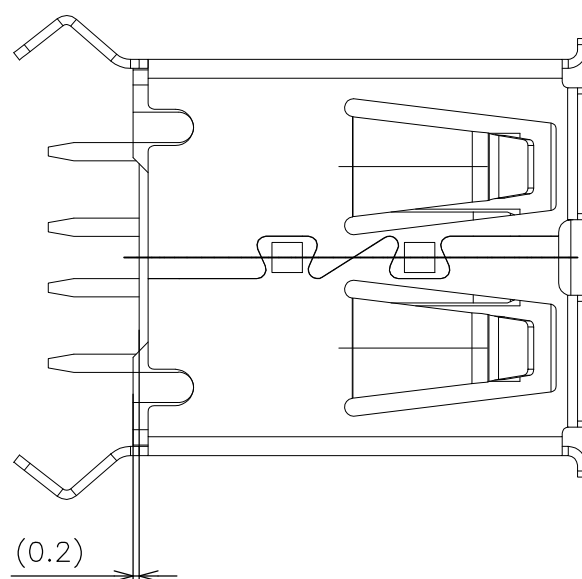
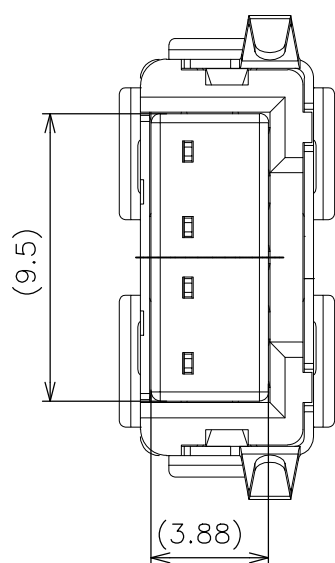
1

THIS DRAWING IS UNPUBLISHED. RELEASED FOR PUBLICATION
© COPYRIGHT BY TYCO ELECTRONICS CORPORATION. ALL RIGHTS RESERVED.

LOC		DIST		REVISIONS				
P	LTR	DESCRIPTION			DATE	DWN	APVD	



1734366-7 AS SHOW
OTHER DIMENSIONS ARE THE SAME AS SHEET1

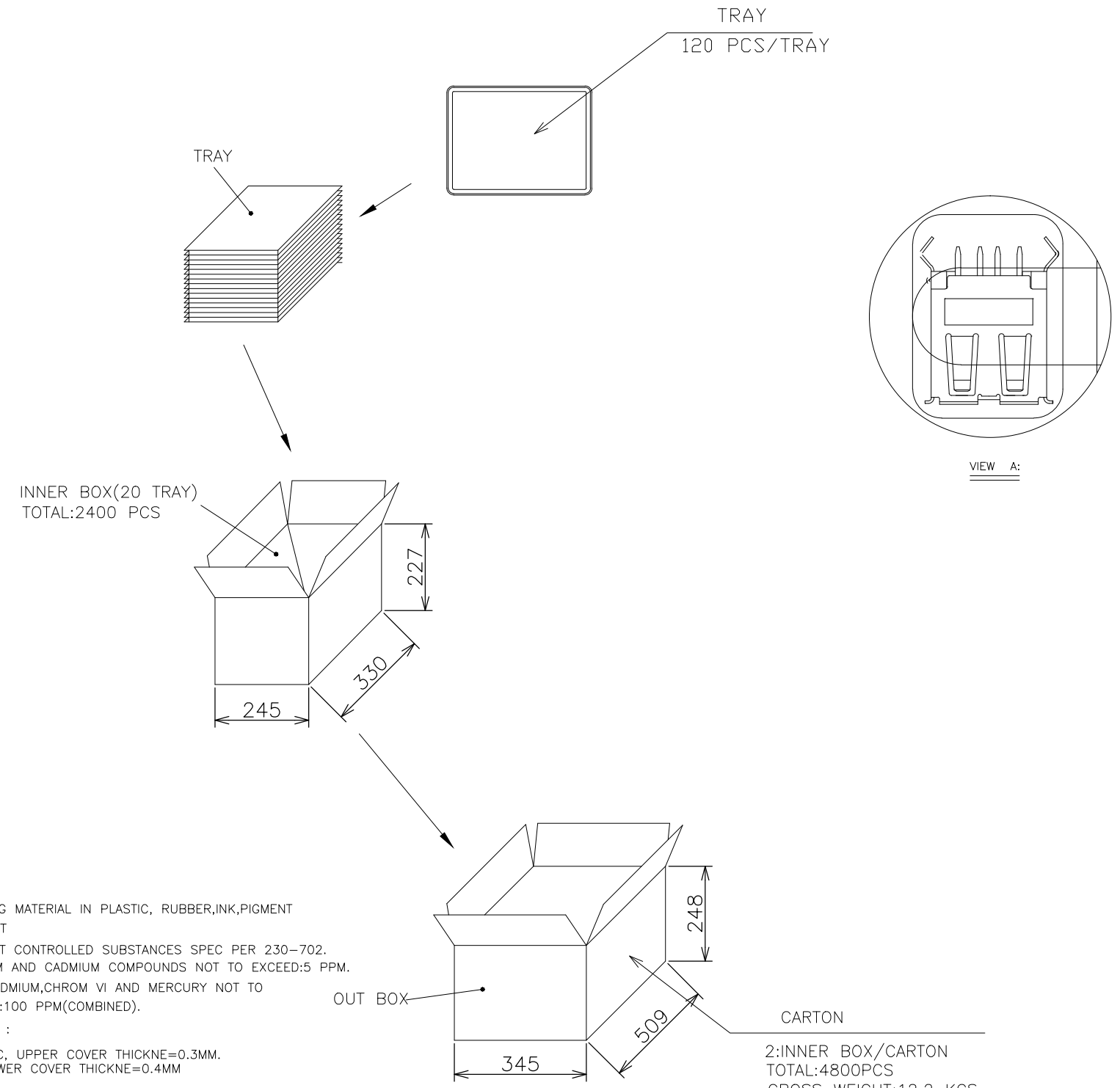


SEE SHEET 4	BLACK	1734366-7	△	△
PACKING	HSG'S COLOR	PART NUMBER	HOUSING MATERIAL	SHIELD FINISH

THIS DRAWING IS A CONTROLLED DOCUMENT.		DWN	STE TE Connectivity										
DIMENSIONS: mm		CHK											
TOLERANCES UNLESS OTHERWISE SPECIFIED:		APVD	NAME										
<table border="1"> <tr><td>0 PLC</td><td>± 0.38</td></tr> <tr><td>1 PLC</td><td>± 0.25</td></tr> <tr><td>2 PLC</td><td>± 0.13</td></tr> <tr><td>3 PLC</td><td>± 0.05</td></tr> </table>		0 PLC	± 0.38	1 PLC	± 0.25	2 PLC	± 0.13	3 PLC	± 0.05	PRODUCT SPEC	RECEPT ASSY,VERTICAL,4POSITION THRU-HOLE,TYPE A USB		
0 PLC	± 0.38												
1 PLC	± 0.25												
2 PLC	± 0.13												
3 PLC	± 0.05												
MATERIAL		APPLICATION SPEC	SIZE	CAGE CODE	DRAWING NO								
FINISH		WEIGHT	A3	00779	C=1734366								
		CUSTOMER DRAWING	SCALE	SHEET	REV								
			-	3 OF 6	C5								

THIS DRAWING IS UNPUBLISHED. RELEASED FOR PUBLICATION
 © COPYRIGHT BY TYCO ELECTRONICS CORPORATION. ALL RIGHTS RESERVED.

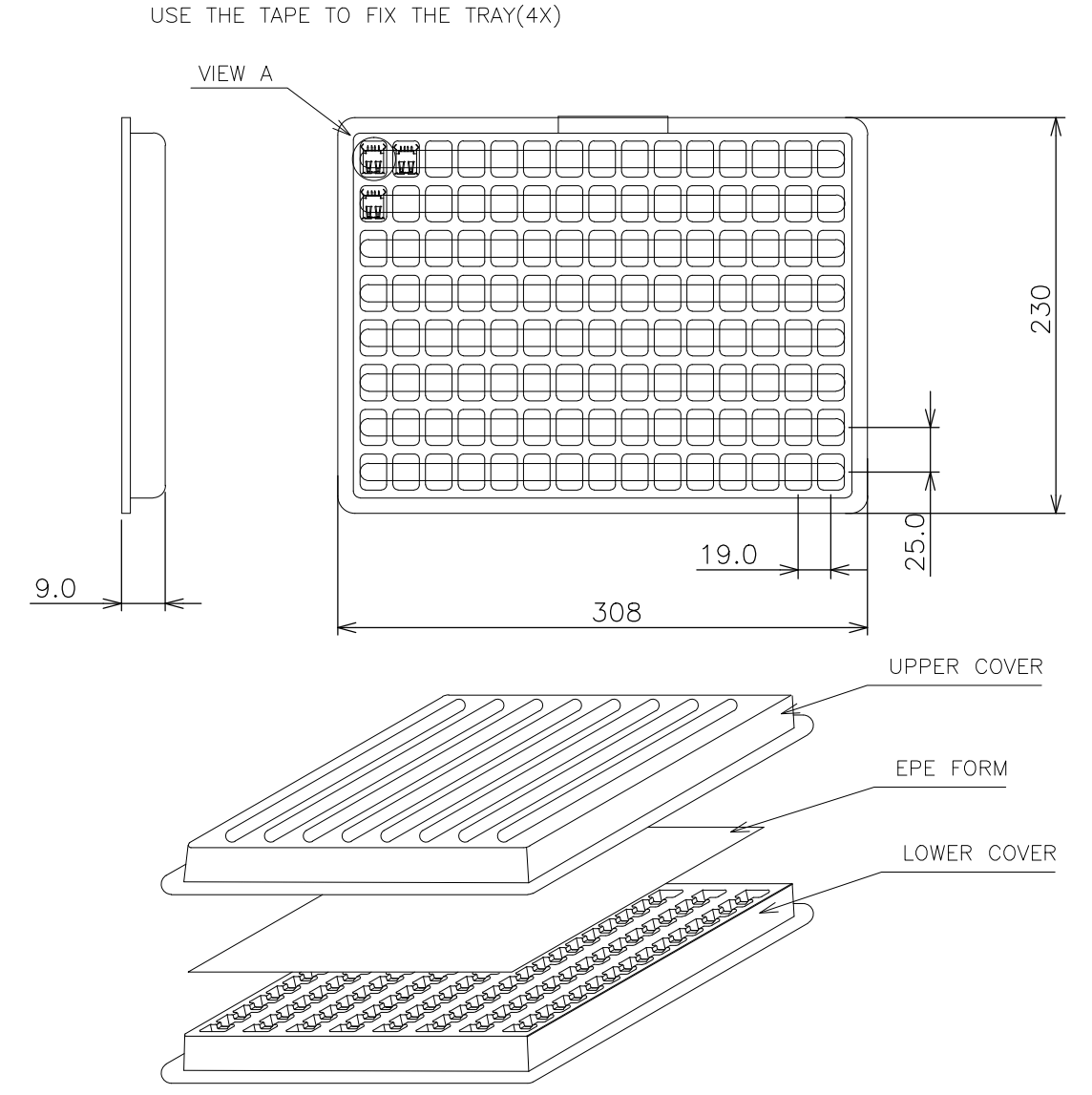
LOC		DIST		REVISIONS		
P	LTR	DESCRIPTION	DATE	DWN	APVD	



NOTE :

- PACKAGING MATERIAL IN PLASTIC, RUBBER,INK,PIGMENT AND PAINT
 MUST MEET CONTROLLED SUBSTANCES SPEC PER 230-702.
 * CADMIUM AND CADMIUM COMPOUNDS NOT TO EXCEED:5 PPM.
 * LEAD,CADMIUM,CHROM VI AND MERCURY NOT TO EXCEED:100 PPM(COMBINED).
- MATERIAL :
 TRAY: PVC, UPPER COVER THICKNE=0.3MM.
 LOWER COVER THICKNE=0.4MM

2:INNER BOX/CARTON
 TOTAL:4800PCS
 GROSS WEIGHT:12.2 KGS
 NET WEIGHT:11.2 KGS



4800	1734366-7
4800	1734366-5
4800	1734366-2
4800	1734366-1
QTY	PART NUMBER

THIS DRAWING IS A CONTROLLED DOCUMENT.		DWN		STE TE Connectivity	
DIMENSIONS: mm		CHK			
TOLERANCES UNLESS OTHERWISE SPECIFIED:		APVD		NAME	
0 PLC ± -		PRODUCT SPEC		RECEIPT ASSY,VERTICAL,4POSITION THRU-HOLE,TYPE A USB	
1 PLC ± 0.3		APPLICATION SPEC		SIZE CAGE CODE DRAWING NO RESTRICTED TO	
2 PLC ± 0.2		WEIGHT		A3 00779 C=1734366	
3 PLC ± 0.15		CUSTOMER DRAWING		SCALE SHEET 4 OF 6 REV C5	
4 PLC ANGLES ± 3°		FINISH			

4

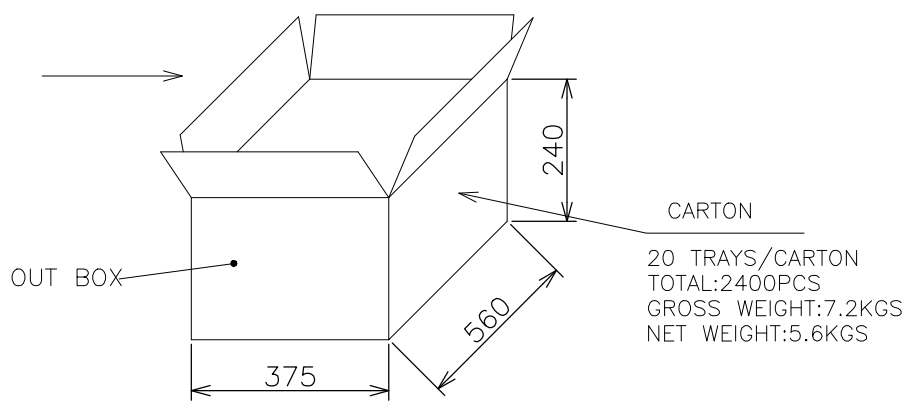
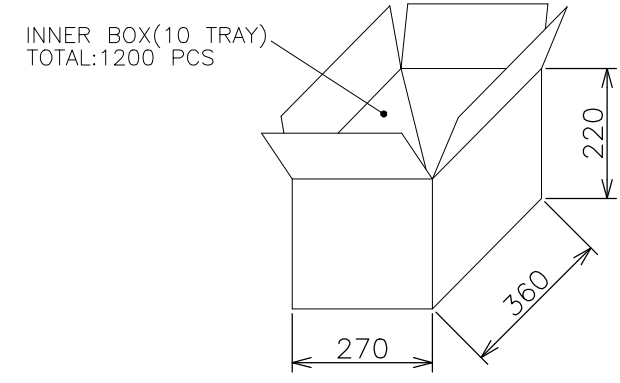
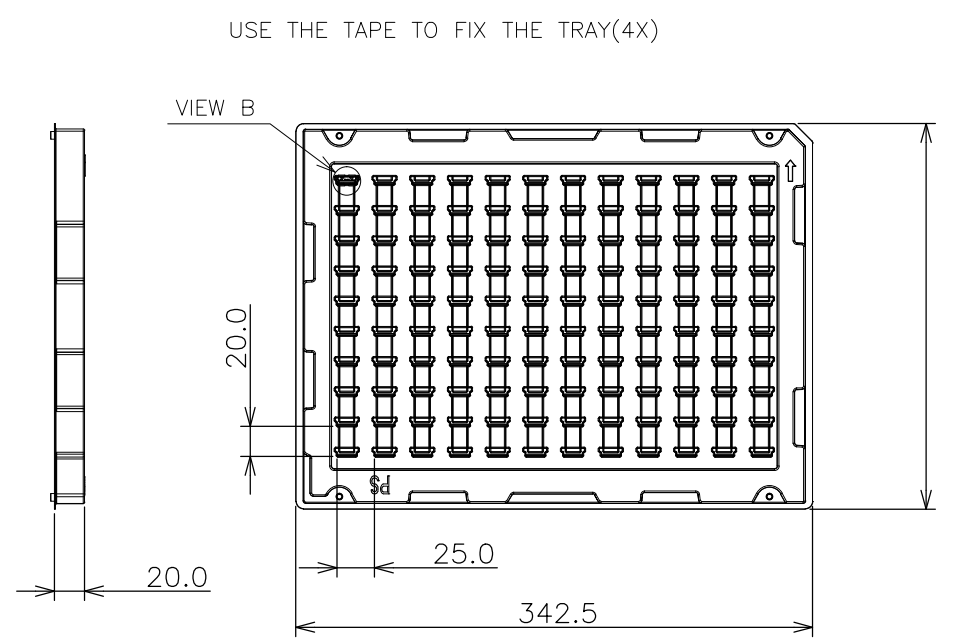
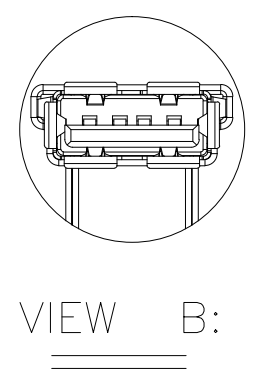
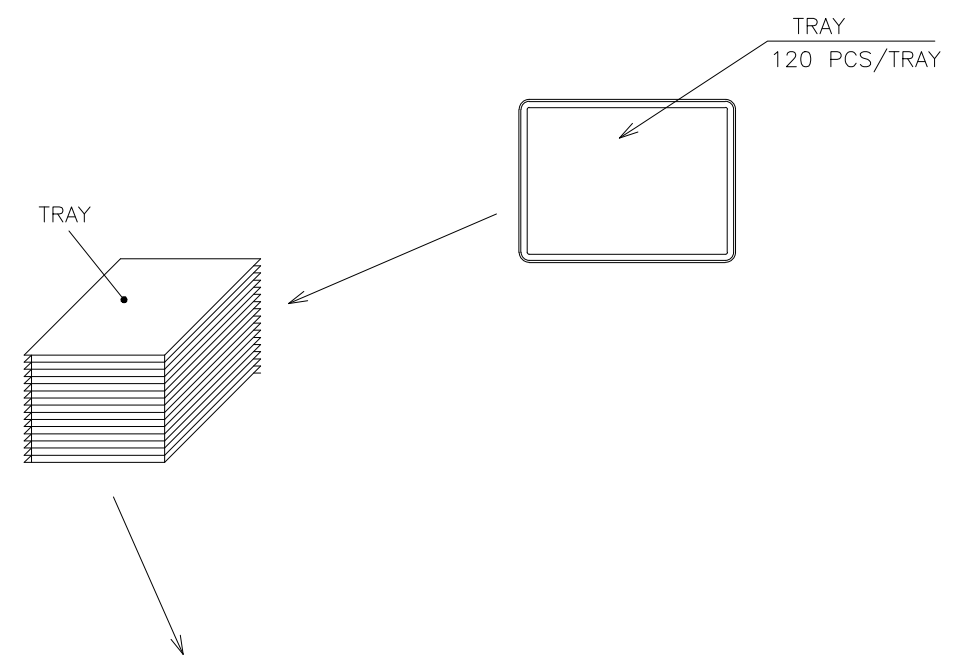
3

2

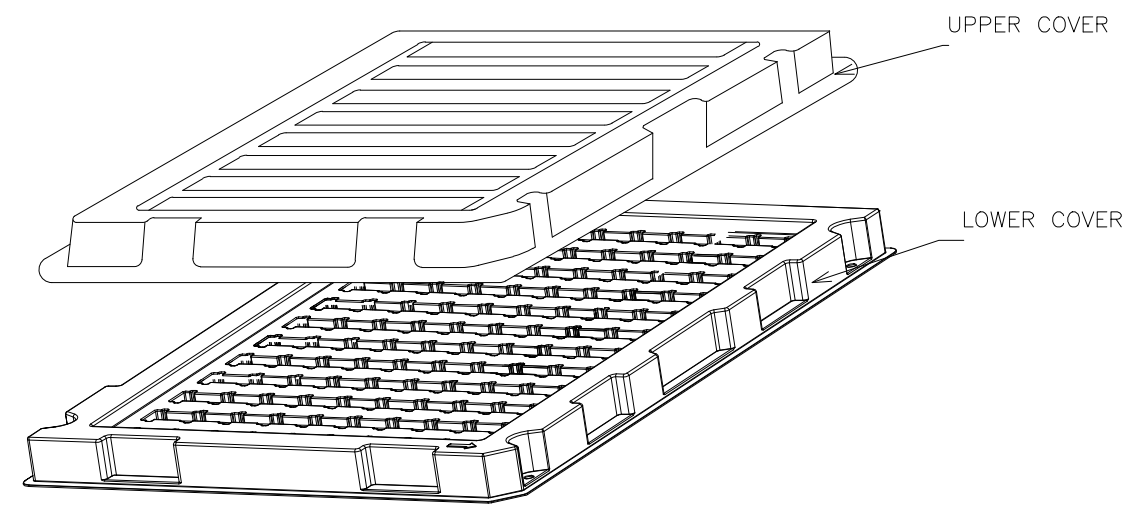
1

THIS DRAWING IS UNPUBLISHED. RELEASED FOR PUBLICATION
 © COPYRIGHT BY TYCO ELECTRONICS CORPORATION. ALL RIGHTS RESERVED.

LOC	DIST	REVISIONS			
P	LTR	DESCRIPTION	DATE	DWN	APVD
DW					



CARTON
 20 TRAYS/CARTON
 TOTAL:2400PCS
 GROSS WEIGHT:7.2KGS
 NET WEIGHT:5.6KGS



NOTE :
 1. PACKAGING MATERIAL IN PLASTIC, RUBBER,INK,PIGMENT AND PAINT
 MUST MEET CONTROLLED SUBSTANCES SPEC PER 230-702.
 * CADMIUM AND CADMIUM COMPOUNDS NOT TO EXCEED:5 PPM.
 * LEAD,CADMIUM,CHROM VI AND MERCURY NOT TO EXCEED:100 PPM(COMBINED).
 2. MATERIAL :
 TRAY: PS, UPPER COVER THICKNE=0.5MM.
 LOWER COVER THICKNE=0.7MM

2400	1734366-4
2400	1734366-3
QTY	PART NUMBER

THIS DRAWING IS A CONTROLLED DOCUMENT.		DWN	TE Connectivity		
DIMENSIONS: mm		CHK	RECEIPT ASSY,VERTICAL,4POSITION THRU-HOLE,TYPE A USB		
TOLERANCES UNLESS OTHERWISE SPECIFIED: 0 PLC ± - 1 PLC ± 0.3 2 PLC ± 0.2 3 PLC ± 0.15 4 PLC ± - ANGLES ± 3'		APVD	NAME		
MATERIAL		PRODUCT SPEC	SIZE	CAGE CODE	DRAWING NO
FINISH		APPLICATION SPEC	A3	00779	1734366
		WEIGHT	RESTRICTED TO		
		CUSTOMER DRAWING	SCALE	SHEET	REV
			-	5 of 6	C5

4

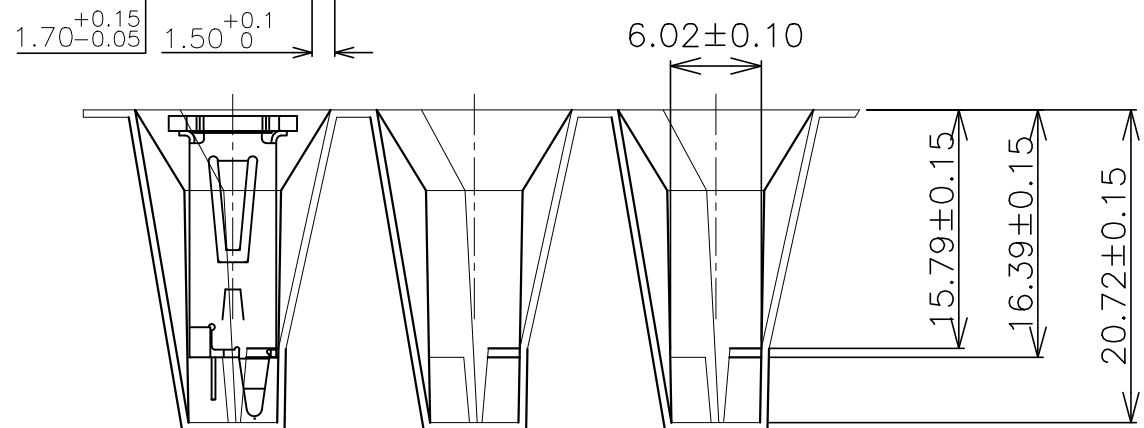
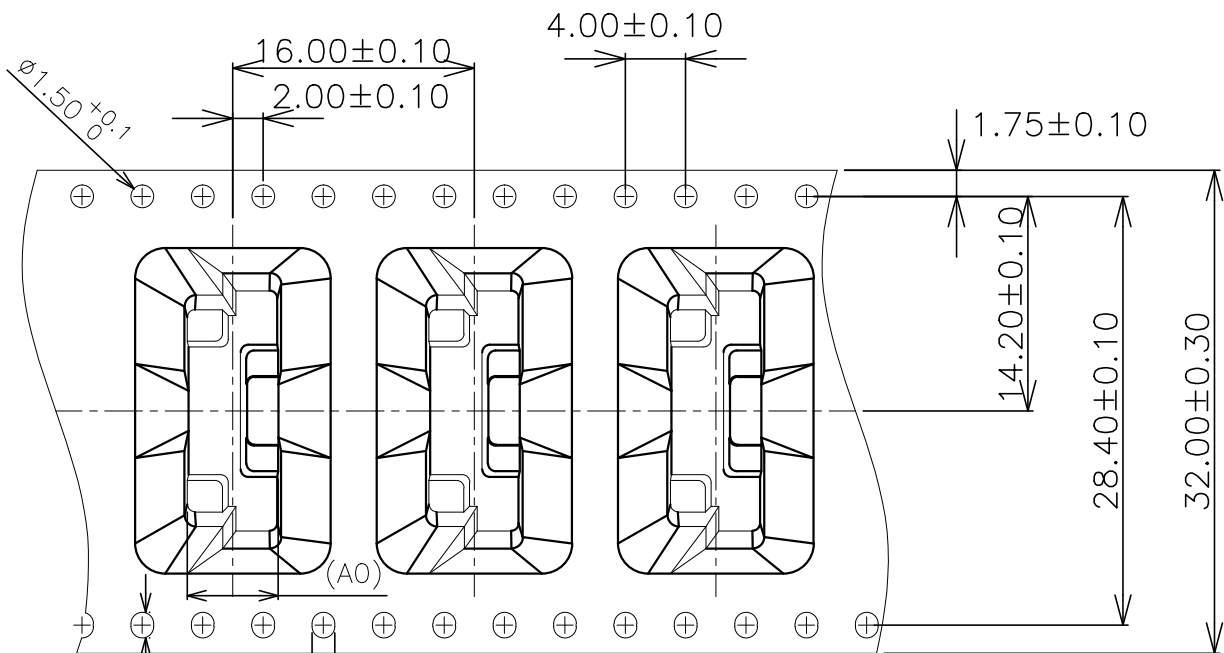
3

2

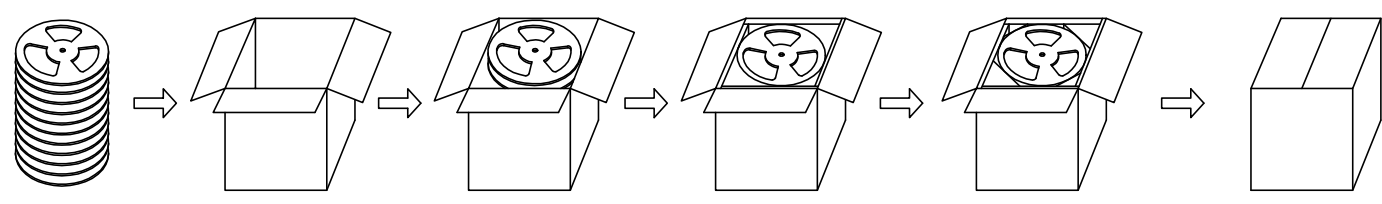
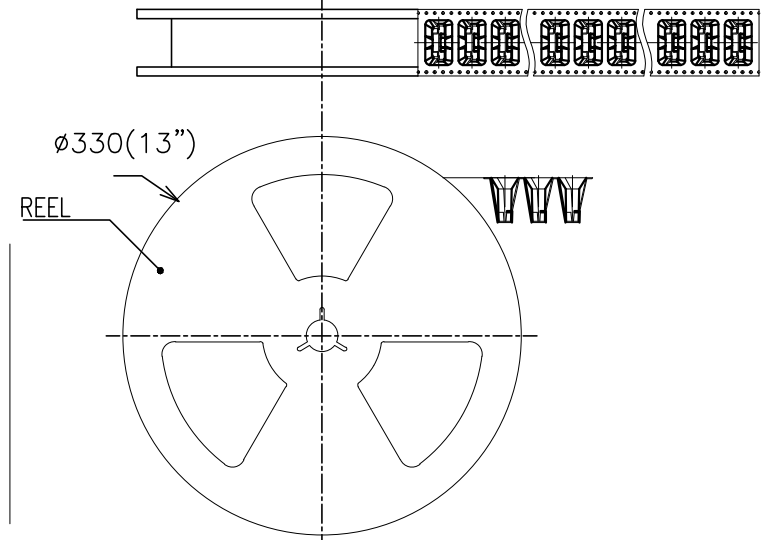
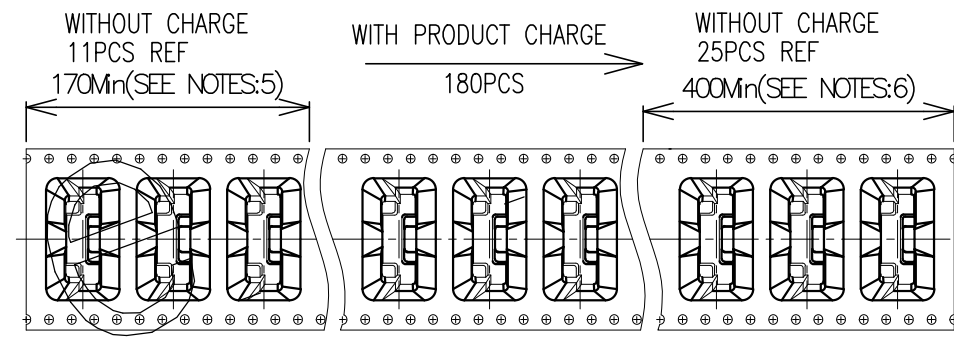
1

THIS DRAWING IS UNPUBLISHED. RELEASED FOR PUBLICATION
 © COPYRIGHT BY TYCO ELECTRONICS CORPORATION. ALL RIGHTS RESERVED.

LOC		DIST		REVISIONS			
P	LTR	DESCRIPTION	DATE	DWN	APVD		



NOTE :
 1. PACKAGING MATERIAL IN PLASTIC, RUBBER, INK, PIGMENT AND PAINT
 MUST MEET CONTROLLED SUBSTANCES SPEC PER 230-702.
 * CADMIUM AND CADMIUM COMPOUNDS NOT TO EXCEED:5 PPM.
 * LEAD, CADMIUM, CHROM VI AND MERCURY NOT TO EXCEED:100 PPM (COMBINED).
 2. MATERIAL :
 REEL: BLACK CONDUCTIVE POLYSTYRENE ALLOY



OUT BOX PACKAGE DIAGRAM DRAWING

1440	1734366-6
QTY	PART NUMBER

THIS DRAWING IS A CONTROLLED DOCUMENT.		DWN		STE TE Connectivity	
DIMENSIONS: mm		CHK			
TOLERANCES UNLESS OTHERWISE SPECIFIED:		APVD		NAME	
0 PLC ± -		PRODUCT SPEC		RECEIPT ASSY, VERTICAL, 4 POSITION THRU-HOLE, TYPE A USB	
1 PLC ± 0.3		APPLICATION SPEC		SIZE CAGE CODE DRAWING NO RESTRICTED TO	
2 PLC ± 0.2		WEIGHT		A3 00779 C=1734366	
3 PLC ± 0.15		CUSTOMER DRAWING		SCALE SHEET 6 OF 6 REV C5	
4 PLC ± -					
ANGLES ± 3'					
MATERIAL					
FINISH					

Компания «Life Electronics» занимается поставками электронных компонентов импортного и отечественного производства от производителей и со складов крупных дистрибьюторов Европы, Америки и Азии.

С конца 2013 года компания активно расширяет линейку поставок компонентов по направлению коаксиальный кабель, кварцевые генераторы и конденсаторы (керамические, пленочные, электролитические), за счёт заключения дистрибьюторских договоров

Мы предлагаем:

- Конкурентоспособные цены и скидки постоянным клиентам.
- Специальные условия для постоянных клиентов.
- Подбор аналогов.
- Поставку компонентов в любых объемах, удовлетворяющих вашим потребностям.
- Приемлемые сроки поставки, возможна ускоренная поставка.
- Доставку товара в любую точку России и стран СНГ.
- Комплексную поставку.
- Работу по проектам и поставку образцов.
- Формирование склада под заказчика.
- Сертификаты соответствия на поставляемую продукцию (по желанию клиента).
- Тестирование поставляемой продукции.
- Поставку компонентов, требующих военную и космическую приемку.
- Входной контроль качества.
- Наличие сертификата ISO.

В составе нашей компании организован Конструкторский отдел, призванный помогать разработчикам, и инженерам.

Конструкторский отдел помогает осуществить:

- Регистрацию проекта у производителя компонентов.
- Техническую поддержку проекта.
- Защиту от снятия компонента с производства.
- Оценку стоимости проекта по компонентам.
- Изготовление тестовой платы монтаж и пусконаладочные работы.



Тел: +7 (812) 336 43 04 (многоканальный)

Email: org@lifeelectronics.ru