

The SST39SF010A / SST39SF020A / SST39SF040 are CMOS Multi-Purpose Flash (MPF) devices manufactured with SST proprietary, high performance CMOS SuperFlash technology. The split-gate cell design and thick oxide tunneling injector attain better reliability and manufacturability compared with alternate approaches. The SST39SF010A / SST39SF020A / SST39SF040 write (Program or Erase) with a 4.5-5.5V power supply, and conforms to JEDEC standard pinouts for x8 memories

Features

- **Organized as 128K x8 / 256K x8 / 512K x8**
- **Single 4.5-5.5V Read and Write Operations**
- **Superior Reliability**
 - Endurance: 100,000 Cycles (typical)
 - Greater than 100 years Data Retention
- **Low Power Consumption (typical values at 14 MHz)**
 - Active Current: 10 mA (typical)
 - Standby Current: 30 μ A (typical)
- **Sector-Erase Capability**
 - Uniform 4 KByte sectors
- **Fast Read Access Time:**
 - 55 ns
 - 70 ns
- **Latched Address and Data**
- **Automatic Write Timing**
 - Internal V_{PP} Generation
- **Fast Erase and Byte-Program**
 - Sector-Erase Time: 18 ms (typical)
 - Chip-Erase Time: 70 ms (typical)
 - Byte-Program Time: 14 μ s (typical)
 - Chip Rewrite Time:
 - 2 seconds (typical) for SST39SF010A
 - 4 seconds (typical) for SST39SF020A
 - 8 seconds (typical) for SST39SF040
- **End-of-Write Detection**
 - Toggle Bit
 - Data# Polling
- **TTL I/O Compatibility**
- **JEDEC Standard**
 - Flash EEPROM Pinouts and command sets
- **Packages Available**
 - 32-lead PLCC
 - 32-lead TSOP (8mm x 14mm)
 - 32-pin PDIP
- **All devices are RoHS compliant**



1 Mbit / 2 Mbit / 4 Mbit Multi-Purpose Flash

SST39SF010A / SST39SF020A / SST39SF040

Data Sheet

Product Description

The SST39SF010A/020A/040 are CMOS Multi-Purpose Flash (MPF) manufactured with SST's proprietary, high performance CMOS SuperFlash technology. The split-gate cell design and thick oxide tunneling injector attain better reliability and manufacturability compared with alternate approaches. The SST39SF010A/020A/040 devices write (Program or Erase) with a 4.5-5.5V power supply. The SST39SF010A/020A/040 devices conform to JEDEC standard pinouts for x8 memories.

Featuring high performance Byte-Program, the SST39SF010A/020A/040 devices provide a maximum Byte-Program time of 20 μ sec. These devices use Toggle Bit or Data# Polling to indicate the completion of Program operation. To protect against inadvertent write, they have on-chip hardware and Software Data Protection schemes. Designed, manufactured, and tested for a wide spectrum of applications, these devices are offered with a guaranteed typical endurance of 100,000 cycles. Data retention is rated at greater than 100 years.

The SST39SF010A/020A/040 devices are suited for applications that require convenient and economical updating of program, configuration, or data memory. For all system applications, they significantly improve performance and reliability, while lowering power consumption. They inherently use less energy during erase and program than alternative flash technologies. The total energy consumed is a function of the applied voltage, current, and time of application. Since for any given voltage range, the SuperFlash technology uses less current to program and has a shorter erase time, the total energy consumed during any Erase or Program operation is less than alternative flash technologies. These devices also improve flexibility while lowering the cost for program, data, and configuration storage applications.

The SuperFlash technology provides fixed Erase and Program times, independent of the number of Erase/Program cycles that have occurred. Therefore the system software or hardware does not have to be modified or de-rated as is necessary with alternative flash technologies, whose Erase and Program times increase with accumulated Erase/Program cycles.

To meet high density, surface mount requirements, the SST39SF010A/020A/040 are offered in 32-lead PLCC and 32-lead TSOP packages. A 600 mil, 32-pin PDIP is also available. See Figures 2, 3, and 4 for pin assignments.

Block Diagram

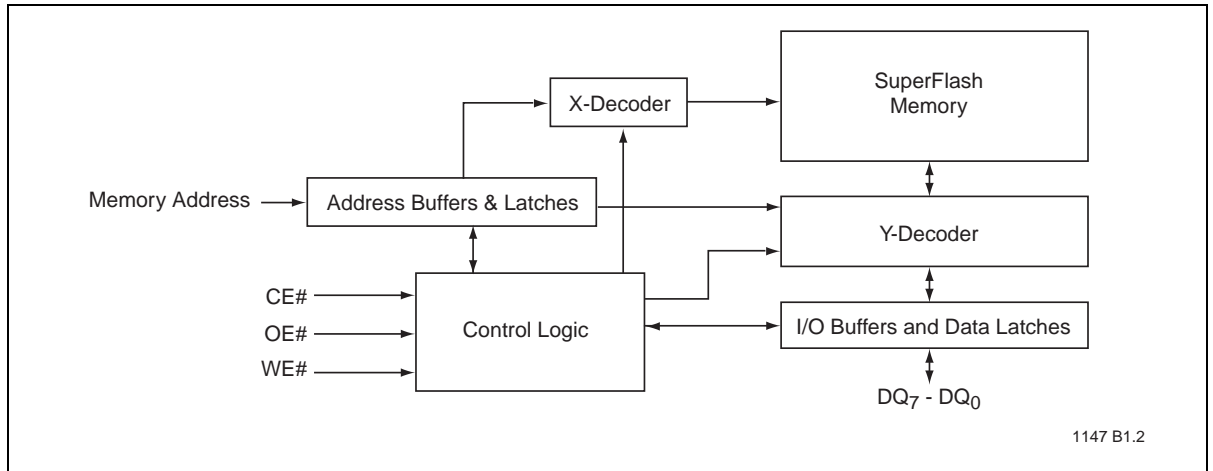


Figure 1: Functional Block Diagram

Pin Assignment

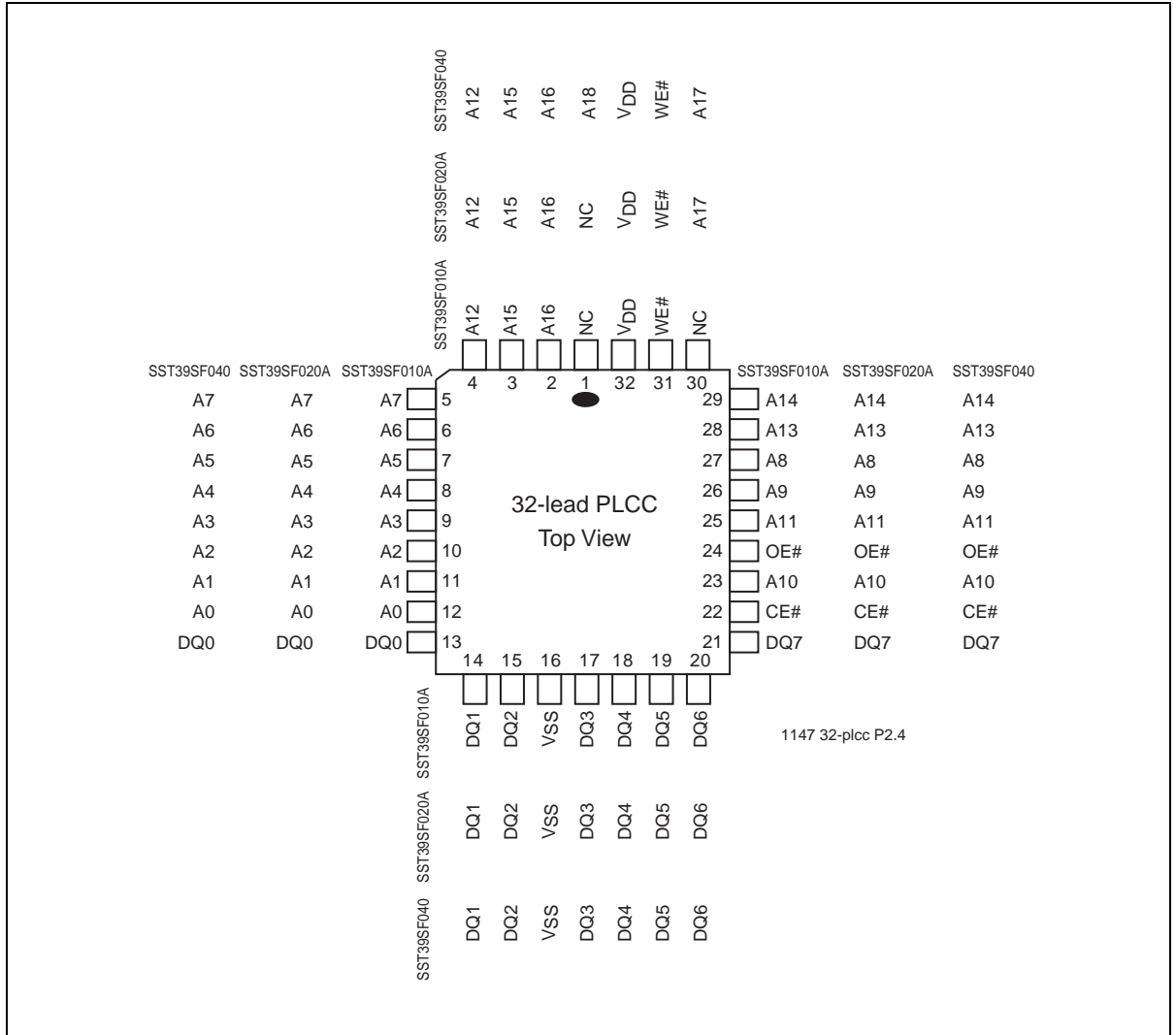


Figure 2: Pin Assignments for 32-lead PLCC

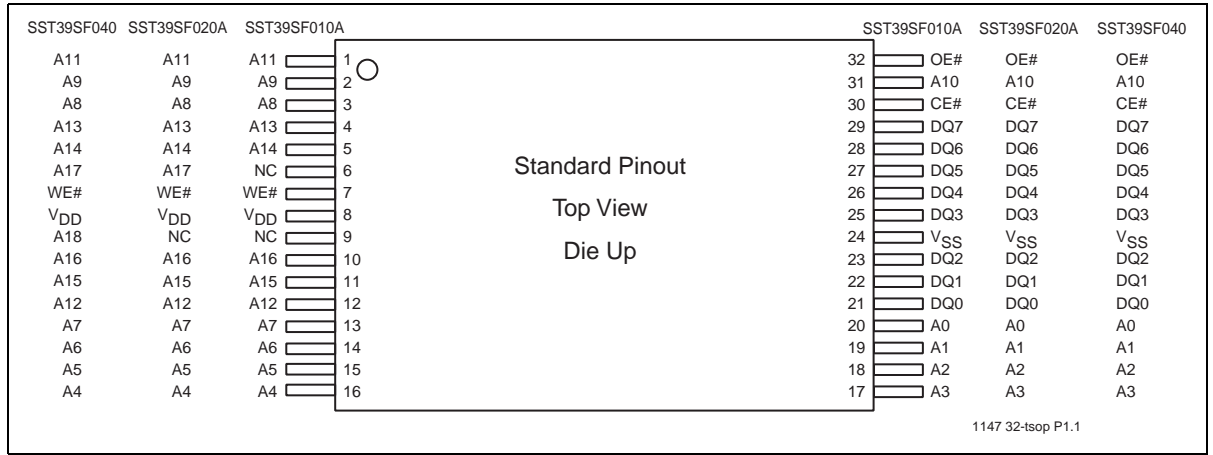


Figure 3: Pin Assignments for 32-lead TSOP (8mm x 14mm)

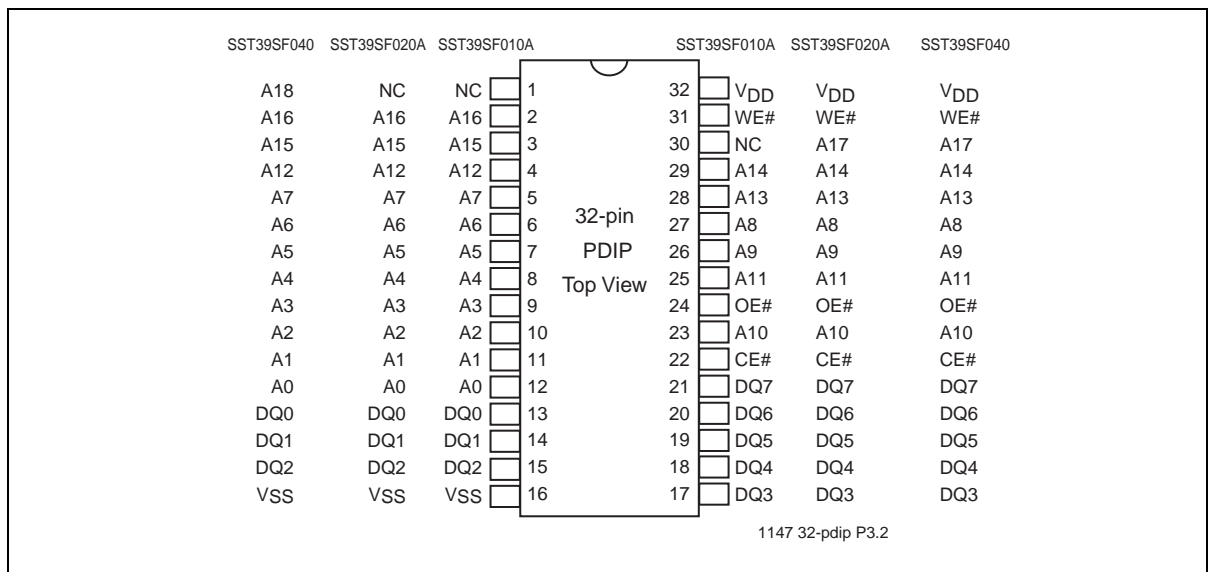


Figure 4: Pin Assignments for 32-pin PDIP

Table 1: Pin Description

Symbol	Pin Name	Functions
A _{MS} ¹ -A ₀	Address Inputs	To provide memory addresses. During Sector-Erase A _{MS} -A ₁₂ address lines will select the sector.
DQ ₇ -DQ ₀	Data Input/output	To output data during Read cycles and receive input data during Write cycles. Data is internally latched during a Write cycle. The outputs are in tri-state when OE# or CE# is high.
CE#	Chip Enable	To activate the device when CE# is low.
OE#	Output Enable	To gate the data output buffers.
WE#	Write Enable	To control the Write operations.
V _{DD}	Power Supply	To provide 5.0V supply (4.5-5.5V)
V _{SS}	Ground	
NC	No Connection	Unconnected pins.

T1.2 25022

1. A_{MS} = Most significant address
A_{MS} = A₁₆ for SST39SF010A, A₁₇ for SST39SF020A, and A₁₈ for SST39SF040

Device Operation

Commands are used to initiate the memory operation functions of the device. Commands are written to the device using standard microprocessor write sequences. A command is written by asserting WE# low while keeping CE# low. The address bus is latched on the falling edge of WE# or CE#, whichever occurs last. The data bus is latched on the rising edge of WE# or CE#, whichever occurs first.

Read

The Read operation of the SST39SF010A/020A/040 is controlled by CE# and OE#, both have to be low for the system to obtain data from the outputs. CE# is used for device selection. When CE# is high, the chip is deselected and only standby power is consumed. OE# is the output control and is used to gate data from the output pins. The data bus is in high impedance state when either CE# or OE# is high. Refer to the Read cycle timing diagram (Figure 5) for further details.

Byte-Program Operation

The SST39SF010A/020A/040 are programmed on a byte-by-byte basis. Before programming, the sector where the byte exists must be fully erased. The Program operation is accomplished in three steps. The first step is the three-byte load sequence for Software Data Protection. The second step is to load byte address and byte data. During the Byte-Program operation, the addresses are latched on the falling edge of either CE# or WE#, whichever occurs last. The data is latched on the rising edge of either CE# or WE#, whichever occurs first. The third step is the internal Program operation which is initiated after the rising edge of the fourth WE# or CE#, whichever occurs first. The Program operation, once initiated, will be completed, within 20 μ s. See Figures 6 and 7 for WE# and CE# controlled Program operation timing diagrams and Figure 16 for flowcharts. During the Program operation, the only valid reads are Data# Polling and Toggle Bit. During the internal Program operation, the host is free to perform additional tasks. Any commands written during the internal Program operation will be ignored.

Sector-Erase Operation

The Sector-Erase operation allows the system to erase the device on a sector-by-sector basis. The sector architecture is based on uniform sector size of 4 KByte. The Sector-Erase operation is initiated by executing a six-byte command load sequence for Software Data Protection with Sector-Erase command (30H) and sector address (SA) in the last bus cycle. The sector address is latched on the falling edge of the sixth WE# pulse, while the command (30H) is latched on the rising edge of the sixth WE# pulse. The internal Erase operation begins after the sixth WE# pulse. The End-of-Erase can be determined using either Data# Polling or Toggle Bit methods. See Figure 10 for timing waveforms. Any commands written during the Sector-Erase operation will be ignored.

Chip-Erase Operation

The SST39SF010A/020A/040 provide Chip-Erase operation, which allows the user to erase the entire memory array to the "1s" state. This is useful when the entire device must be quickly erased.

The Chip-Erase operation is initiated by executing a six-byte Software Data Protection command sequence with Chip-Erase command (10H) with address 5555H in the last byte sequence. The internal Erase operation begins with the rising edge of the sixth WE# or CE#, whichever occurs first. During the internal Erase operation, the only valid read is Toggle Bit or Data# Polling. See Table 4 for the command sequence, Figure 11 for timing diagram, and Figure 19 for the flowchart. Any commands written during the Chip-Erase operation will be ignored.

Write Operation Status Detection

The SST39SF010A/020A/040 provide two software means to detect the completion of a Write (Program or Erase) cycle, in order to optimize the system Write cycle time. The software detection includes two status bits: Data# Polling (DQ₇) and Toggle Bit (DQ₆). The End-of-Write detection mode is enabled after the rising edge of WE# which initiates the internal Program or Erase operation.

The actual completion of the nonvolatile write is asynchronous with the system; therefore, either a Data# Polling or Toggle Bit read may be simultaneous with the completion of the Write cycle. If this occurs, the system may possibly get an erroneous result, i.e., valid data may appear to conflict with either DQ₇ or DQ₆. In order to prevent spurious rejection, if an erroneous result occurs, the software routine should include a loop to read the accessed location an additional two (2) times. If both reads are valid, then the device has completed the Write cycle, otherwise the rejection is valid.

Data# Polling (DQ₇)

When the SST39SF010A/020A/040 are in the internal Program operation, any attempt to read DQ₇ will produce the complement of the true data. Once the Program operation is completed, DQ₇ will produce true data. Note that even though DQ₇ may have valid data immediately following the completion of an internal Write operation, the remaining data outputs may still be invalid: valid data on the entire data bus will appear in subsequent successive Read cycles after an interval of 1 μ s. During internal Erase operation, any attempt to read DQ₇ will produce a '0'. Once the internal Erase operation is completed, DQ₇ will produce a '1'. The Data# Polling is valid after the rising edge of fourth WE# (or CE#) pulse for Program operation. For Sector- or Chip-Erase, the Data# Polling is valid after the rising edge of sixth WE# (or CE#) pulse. See Figure 8 for Data# Polling timing diagram and Figure 17 for a flowchart.

Toggle Bit (DQ₆)

During the internal Program or Erase operation, any consecutive attempts to read DQ₆ will produce alternating 0s and 1s, i.e., toggling between 0 and 1. When the internal Program or Erase operation is completed, the toggling will stop. The device is then ready for the next operation. The Toggle Bit is valid after the rising edge of fourth WE# (or CE#) pulse for Program operation. For Sector- or Chip-Erase, the Toggle Bit is valid after the rising edge of sixth WE# (or CE#) pulse. See Figure 9 for Toggle Bit timing diagram and Figure 17 for a flowchart.

Data Protection

The SST39SF010A/020A/040 provide both hardware and software features to protect nonvolatile data from inadvertent writes.

Hardware Data Protection

Noise/Glitch Protection: A WE# or CE# pulse of less than 5 ns will not initiate a Write cycle.

V_{DD} Power Up/Down Detection: The Write operation is inhibited when V_{DD} is less than 2.5V.

Write Inhibit Mode: Forcing OE# low, CE# high, or WE# high will inhibit the Write operation. This prevents inadvertent writes during power-up or power-down.

Software Data Protection (SDP)

The SST39SF010A/020A/040 provide the JEDEC approved Software Data Protection scheme for all data alteration operations, i.e., Program and Erase. Any Program operation requires the inclusion of a series of three-byte sequence. The three-byte load sequence is used to initiate the Program operation, providing optimal protection from inadvertent Write operations, e.g., during the system power-up or power-down. Any Erase operation requires the inclusion of six-byte load sequence. The SST39SF010A/020A/040 devices are shipped with the Software Data Protection permanently enabled. See Table 4 for the specific software command codes. During SDP command sequence, invalid commands will abort the device to read mode, within T_{RC} .

Product Identification

The Product Identification mode identifies the device as the SST39SF040, SST39SF010A, or SST39SF020A and manufacturer as SST. This mode may be accessed by software operations. Users may wish to use the software Product Identification operation to identify the part (i.e., using the device ID) when using multiple manufacturers in the same socket. For details, Table 4 for software operation, Figure 12 for the software ID entry and read timing diagram and Figure 18 for the ID entry command sequence flowchart.

Table 2: Product Identification

	Address	Data
Manufacturer's ID	0000H	BFH
Device ID		
SST39SF010A	0001H	B5H
SST39SF020A	0001H	B6H
SST39SF040	0001H	B7H

T2.2 25022

Product Identification Mode Exit/Reset

In order to return to the standard Read mode, the Software Product Identification mode must be exited. Exit is accomplished by issuing the Exit ID command sequence, which returns the device to the Read operation. Please note that the software reset command is ignored during an internal Program or Erase operation. See Table 4 for software command codes, Figure 13 for timing waveform and Figure 18 for a flowchart.

Operations

Table 3: Operation Modes Selection

Mode	CE#	OE#	WE#	DQ	Address
Read	V _{IL}	V _{IL}	V _{IH}	D _{OUT}	A _{IN}
Program	V _{IL}	V _{IH}	V _{IL}	D _{IN}	A _{IN}
Erase	V _{IL}	V _{IH}	V _{IL}	X ¹	Sector address, XXH for Chip-Erase
Standby	V _{IH}	X	X	High Z	X
Write Inhibit	X	V _{IL}	X	High Z/ D _{OUT}	X
	X	X	V _{IH}	High Z/ D _{OUT}	X
Product Identification					
Software Mode	V _{IL}	V _{IL}	V _{IH}		See Table 4

T3.3 25022

1. X can be V_{IL} or V_{IH}, but no other value.

Table 4: Software Command Sequence

Command Sequence	1st Bus Write Cycle		2nd Bus Write Cycle		3rd Bus Write Cycle		4th Bus Write Cycle		5th Bus Write Cycle		6th Bus Write Cycle	
	Addr ¹	Data	Addr ¹	Data	Addr ¹	Data	Addr ¹	Data	Addr ¹	Data	Addr ¹	Data
Byte-Program	5555H	AAH	2AAAH	55H	5555H	A0H	BA ²	Data				
Sector-Erase	5555H	AAH	2AAAH	55H	5555H	80H	5555H	AAH	2AAAH	55H	SA _X ³	30H
Chip-Erase	5555H	AAH	2AAAH	55H	5555H	80H	5555H	AAH	2AAAH	55H	5555H	10H
Software ID Entry ^{4,5}	5555H	AAH	2AAAH	55H	5555H	90H						
Software ID Exit ⁶	XXH	F0H										
Software ID Exit ⁶	5555H	AAH	2AAAH	55H	5555H	F0H						

T4.2 25022

- Address format A₁₄-A₀ (Hex), Addresses A_{MS}-A₁₅ can be V_{IL} or V_{IH}, but no other value, for the Command sequence.
A_{MS} = Most significant address
A_{MS} = A₁₆ for SST39SF010A, A₁₇ for SST39SF020A, and A₁₈ for SST39SF040
- BA = Program Byte address
- SA_X for Sector-Erase; uses A_{MS}-A₁₂ address lines
- The device does not remain in Software Product ID mode if powered down.
- With A_{MS}-A₁ = 0; SST Manufacturer's ID = BFH, is read with A₀ = 0,
SST39SF010A Device ID = B5H, is read with A₀ = 1
SST39SF020A Device ID = B6H, is read with A₀ = 1
SST39SF040 Device ID = B7H, is read with A₀ = 1
- Both Software ID Exit operations are equivalent



1 Mbit / 2 Mbit / 4 Mbit Multi-Purpose Flash

SST39SF010A / SST39SF020A / SST39SF040

Data Sheet

Absolute Maximum Stress Ratings (Applied conditions greater than those listed under “Absolute Maximum Stress Ratings” may cause permanent damage to the device. This is a stress rating only and functional operation of the device at these conditions or conditions greater than those defined in the operational sections of this data sheet is not implied. Exposure to absolute maximum stress rating conditions may affect device reliability.)

Temperature Under Bias	-55°C to +125°C
Storage Temperature	-65°C to +150°C
D. C. Voltage on Any Pin to Ground Potential	-0.5V to $V_{DD}+0.5V$
Transient Voltage (<20 ns) on Any Pin to Ground Potential	-2.0V to $V_{DD}+2.0V$
Voltage on A_9 Pin to Ground Potential	-0.5V to 13.2V
Package Power Dissipation Capability ($T_a = 25^\circ\text{C}$)	1.0W
Through Hold Lead Soldering Temperature (10 Seconds)	300°C
Surface Mount Lead Soldering Temperature (3 Seconds)	240°C
Output Short Circuit Current ¹	100 mA

1. Outputs shorted for no more than one second. No more than one output shorted at a time.

Table 5: Operating Range

Range	Ambient Temp	V_{DD}
Commercial	0°C to +70°C	4.5-5.5V
Industrial	-40°C to +85°C	4.5-5.5V

T5.1 25022

Table 6: AC Conditions of Test¹

Input Rise/Fall Time	Output Load
5ns	$C_L = 30 \text{ pF}$ for 55 ns $C_L = 100 \text{ pF}$ for 70 ns

T6.1 25022

1. See Figures 14 and 15

Table 7: DC Operating Characteristics $V_{DD} = 4.5\text{-}5.5V^1$

Symbol	Parameter	Limits			Test Conditions
		Min	Max	Units	
I _{DD}	Power Supply Current				Address input= V_{ILT}/V_{IHT} , at $f=1/T_{RC}$ Min $V_{DD}=V_{DD}$ Max
	Read ²		25	mA	$CE\#=V_{IL}$, $OE\#=WE\#=V_{IH}$, all I/Os open
	Program and Erase		35	mA	$CE\#=WE\#=V_{IL}$, $OE\#=V_{IH}$
I _{SB1}	Standby V_{DD} Current (TTL input)		3	mA	$CE\#=V_{IH}$, $V_{DD}=V_{DD}$ Max
I _{SB2}	Standby V_{DD} Current (CMOS input)		100	μ A	$CE\#=V_{IHC}$, $V_{DD}=V_{DD}$ Max
I _{LI}	Input Leakage Current		1	μ A	$V_{IN}=GND$ to V_{DD} , $V_{DD}=V_{DD}$ Max
I _{LO}	Output Leakage Current		10	μ A	$V_{OUT}=GND$ to V_{DD} , $V_{DD}=V_{DD}$ Max
V _{IL}	Input Low Voltage		0.8	V	$V_{DD}=V_{DD}$ Min
V _{IH}	Input High Voltage	2.0		V	$V_{DD}=V_{DD}$ Max
V _{IHC}	Input High Voltage (CMOS)	$V_{DD}-0.3$		V	$V_{DD}=V_{DD}$ Max
V _{OL}	Output Low Voltage		0.4	V	$I_{OL}=2.1$ mA, $V_{DD}=V_{DD}$ Min
V _{OH}	Output High Voltage	2.4		V	$I_{OH}=-400$ μ A, $V_{DD}=V_{DD}$ Min

T7.10 25022

1. Typical conditions for the Active Current shown on the front data sheet page are average values at 25°C (room temperature), and $V_{DD} = 5V$ for SF devices. Not 100% tested.
2. Values are for 70 ns conditions. See the **Multi-Purpose Flash Power Rating** application note for further information.

Table 8: Recommended System Power-up Timings

Symbol	Parameter	Minimum	Units
T _{PU-READ} ¹	Power-up to Read Operation	100	μ s
T _{PU-WRITE} ¹	Power-up to Program/Erase Operation	100	μ s

T8.1 25022

1. This parameter is measured only for initial qualification and after a design or process change that could affect this parameter.

Table 9: Capacitance ($T_a = 25^\circ\text{C}$, $f=1$ Mhz, other pins open)

Parameter	Description	Test Condition	Maximum
C _{I/O} ¹	I/O Pin Capacitance	$V_{I/O} = 0V$	12 pF
C _{IN} ¹	Input Capacitance	$V_{IN} = 0V$	6 pF

T9.0 25022

1. This parameter is measured only for initial qualification and after a design or process change that could affect this parameter.

Table 10: Reliability Characteristics

Symbol	Parameter	Minimum Specification	Units	Test Method
N _{END} ^{1,2}	Endurance	10,000	Cycles	JEDEC Standard A117
T _{DR} ¹	Data Retention	100	Years	JEDEC Standard A103
I _{LTH} ¹	Latch Up	$100 + I_{DD}$	mA	JEDEC Standard 78

T10.2 25022

1. This parameter is measured only for initial qualification and after a design or process change that could affect this parameter.
2. N_{END} endurance rating is qualified as a 10,000 cycle minimum for the whole device. A sector- or block-level rating would result in a higher minimum specification.

AC Characteristics

Table 11: Read Cycle Timing Parameters $V_{DD} = 4.5\text{-}5.5\text{V}$

Symbol	Parameter	SST39SF010A/020A/040-55		SST39SF010A/020A/040-70		Units
		Min	Max	Min	Max	
T_{RC}	Read Cycle Time	55		70		ns
T_{CE}	Chip Enable Access Time		55		70	ns
T_{AA}	Address Access Time		55		70	ns
T_{OE}	Output Enable Access Time		35		35	ns
T_{CLZ}^1	CE# Low to Active Output	0		0		ns
T_{OLZ}^1	OE# Low to Active Output	0		0		ns
T_{CHZ}^1	CE# High to High-Z Output		20		25	ns
T_{OHZ}^1	OE# High to High-Z Output		20		25	ns
T_{OH}^1	Output Hold from Address Change	0		0		ns

1. This parameter is measured only for initial qualification and after a design or process change that could affect this parameter. T11.4 25022

Table 12: Program/Erase Cycle Timing Parameters

Symbol	Parameter	Min	Max	Units
T_{BP}	Byte-Program Time		20	μs
T_{AS}	Address Setup Time	0		ns
T_{AH}	Address Hold Time	30		ns
T_{CS}	WE# and CE# Setup Time	0		ns
T_{CH}	WE# and CE# Hold Time	0		ns
T_{OES}	OE# High Setup Time	0		ns
T_{OEH}	OE# High Hold Time	10		ns
T_{CP}	CE# Pulse Width	40		ns
T_{WP}	WE# Pulse Width	40		ns
T_{WPH}^1	WE# Pulse Width High	30		ns
T_{CPH}^1	CE# Pulse Width High	30		ns
T_{DS}	Data Setup Time	40		ns
T_{DH}^1	Data Hold Time	0		ns
T_{IDA}^1	Software ID Access and Exit Time		150	ns
T_{SE}	Sector-Erase		25	ms
T_{SCE}	Chip-Erase		100	ms

1. This parameter is measured only for initial qualification and after a design or process change that could affect this parameter. T12.1 25022

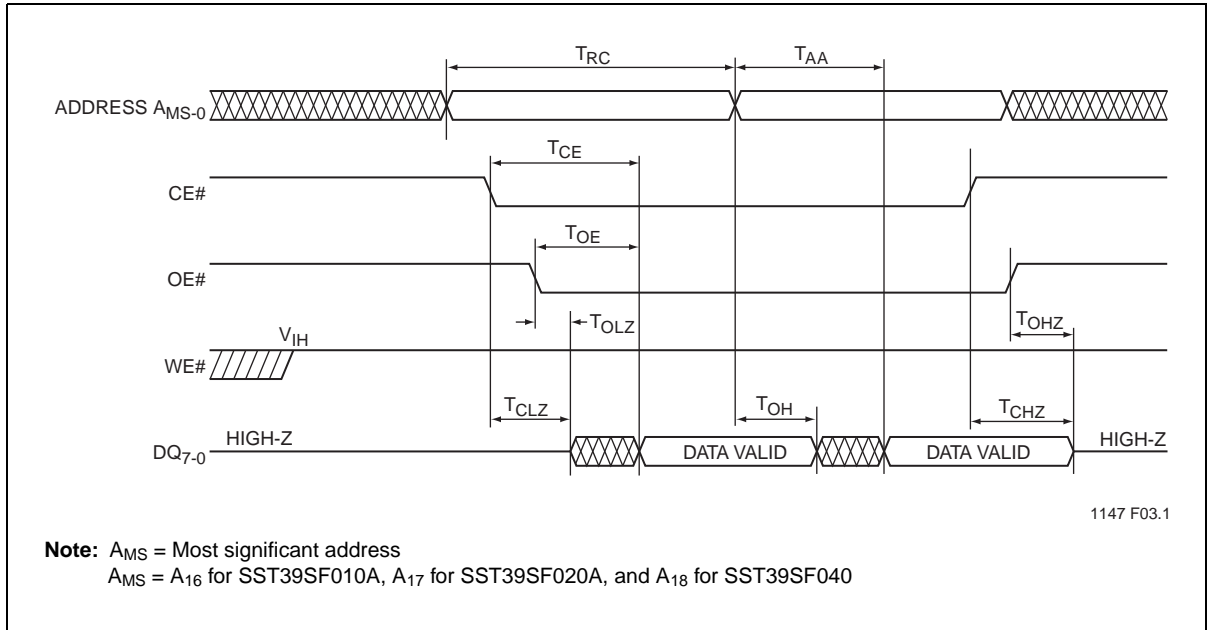


Figure 5: Read Cycle Timing Diagram

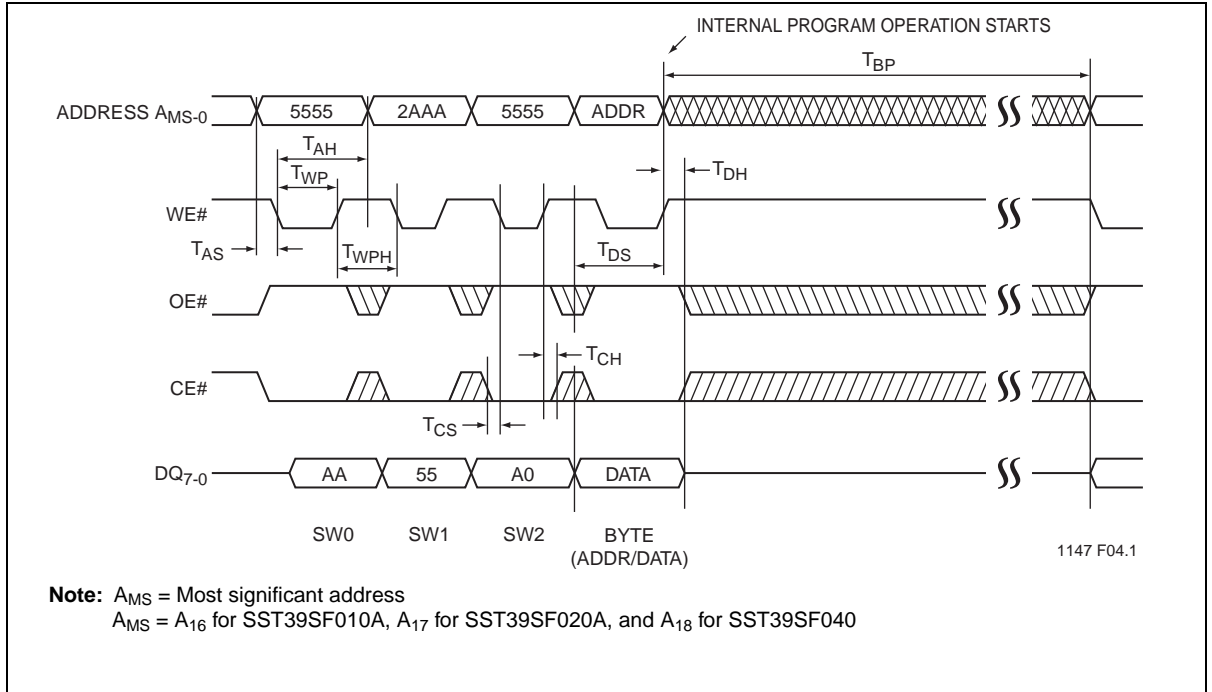


Figure 6: WE# Controlled Program Cycle Timing Diagram

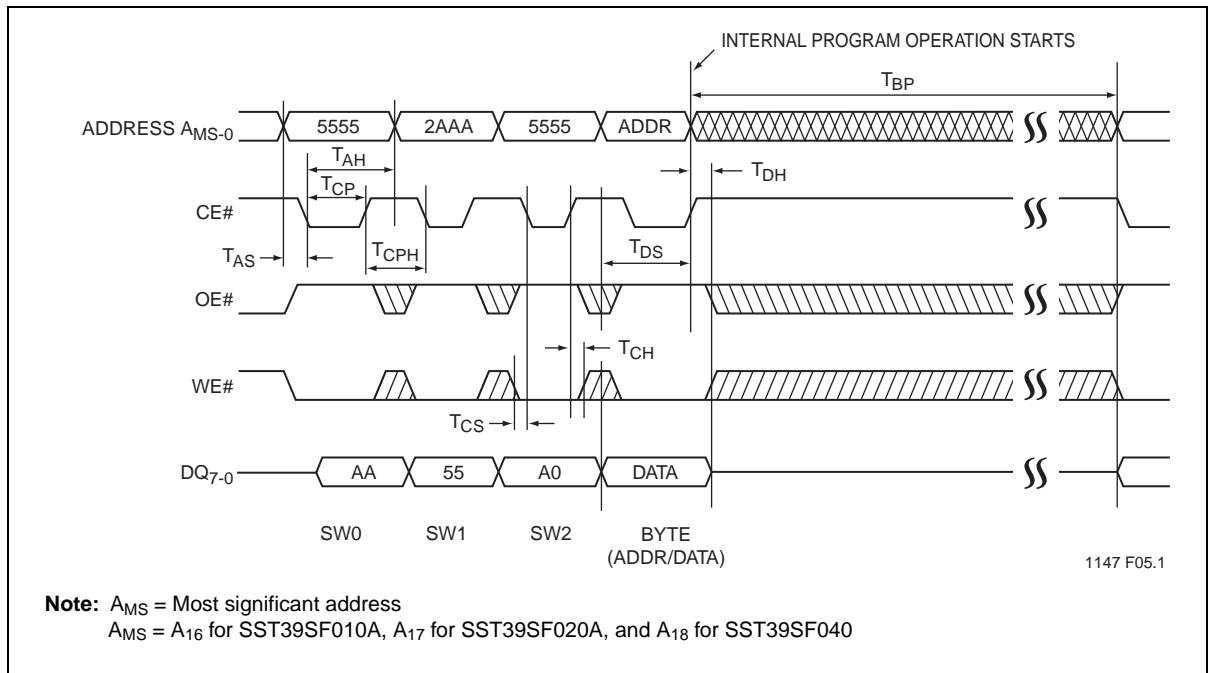


Figure 7: CE# Controlled Program Cycle Timing Diagram

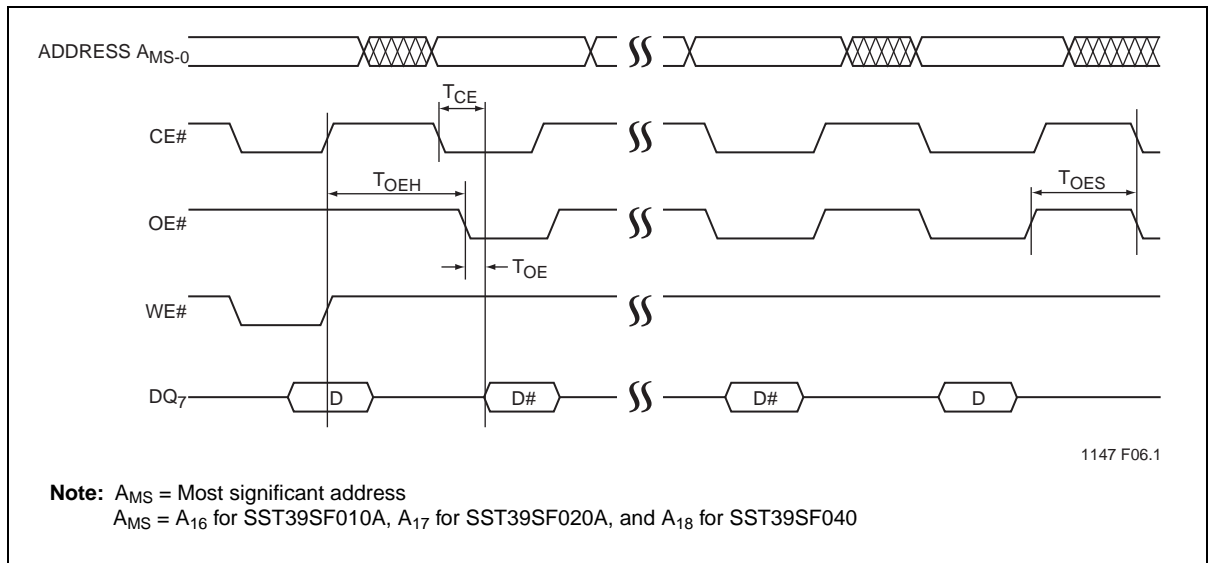


Figure 8: Data# Polling Timing Diagram

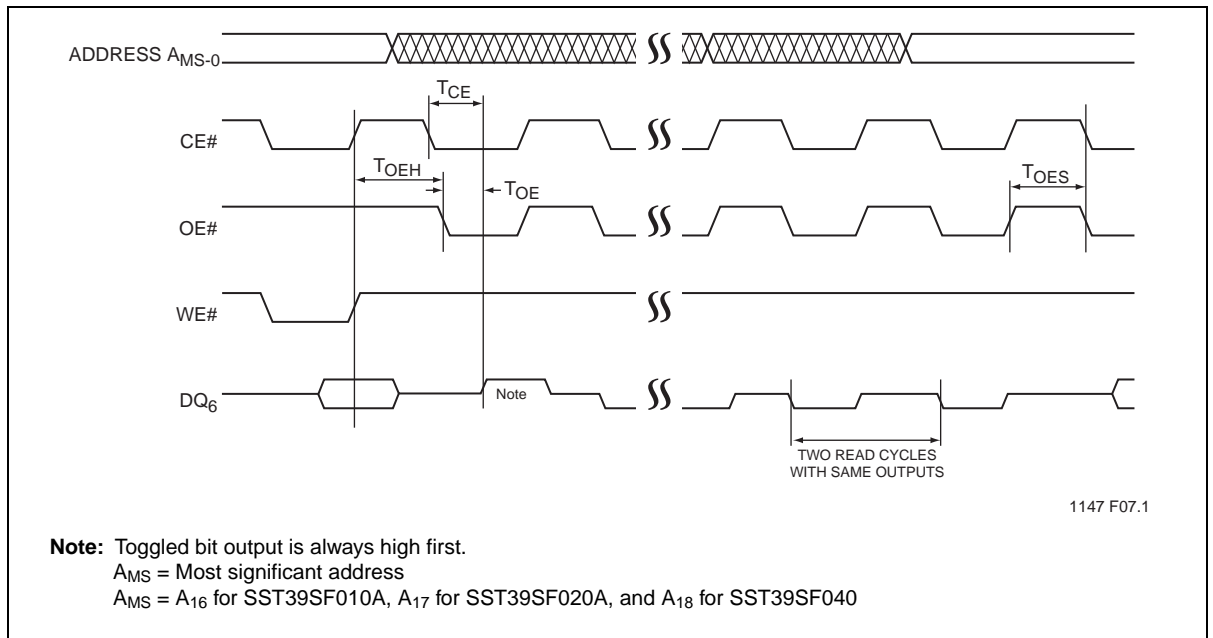


Figure 9: Toggle Bit Timing Diagram



Figure 10: WE# Controlled Sector-Erase Timing Diagram

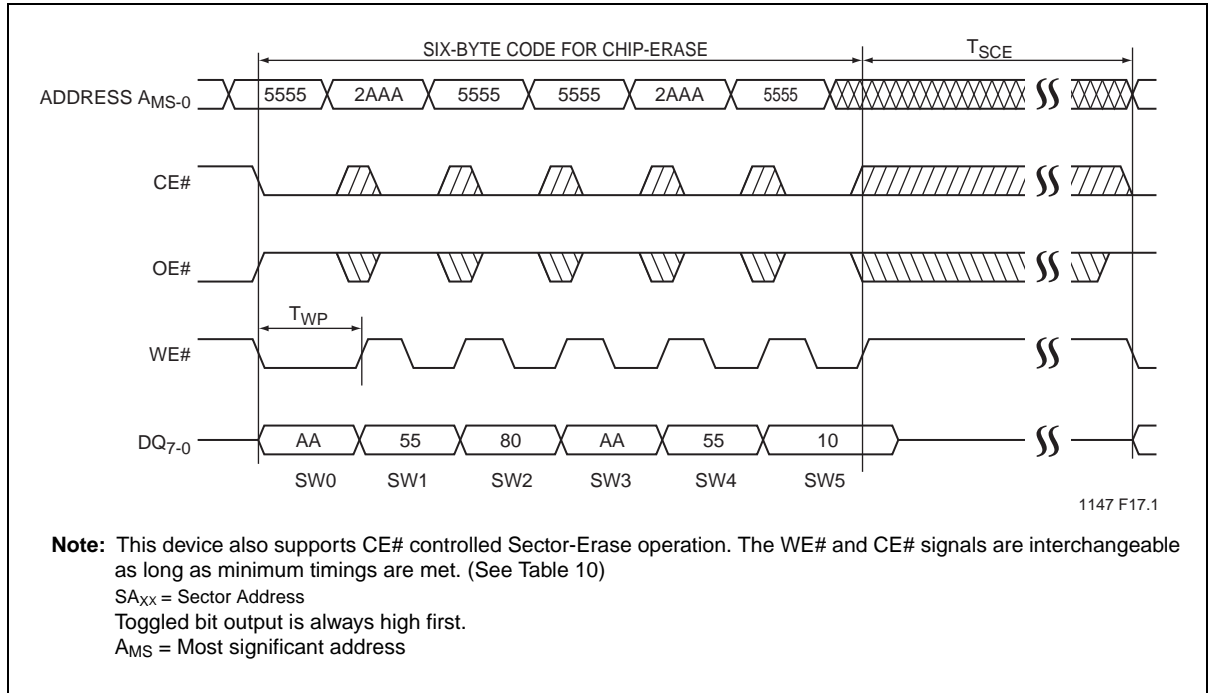


Figure 11: WE# Controlled Chip-Erase Timing Diagram

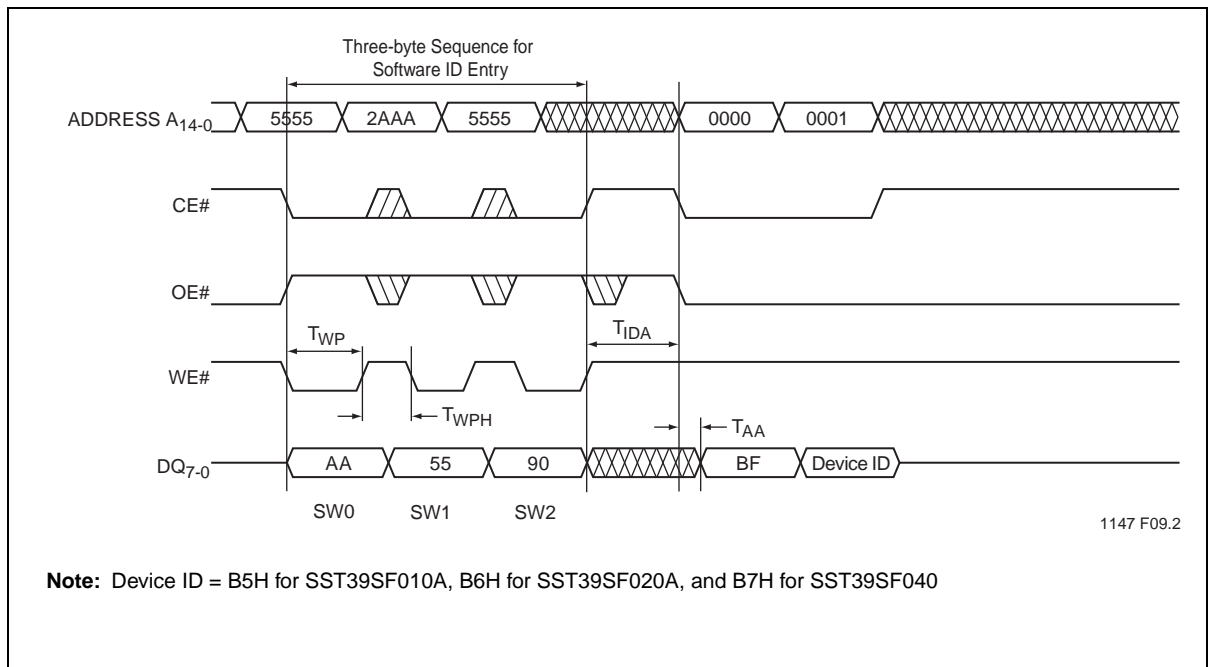


Figure 12: Software ID Entry and Read



Figure 13: Software ID Exit and Reset



Figure 14: AC Input/Output Reference Waveforms

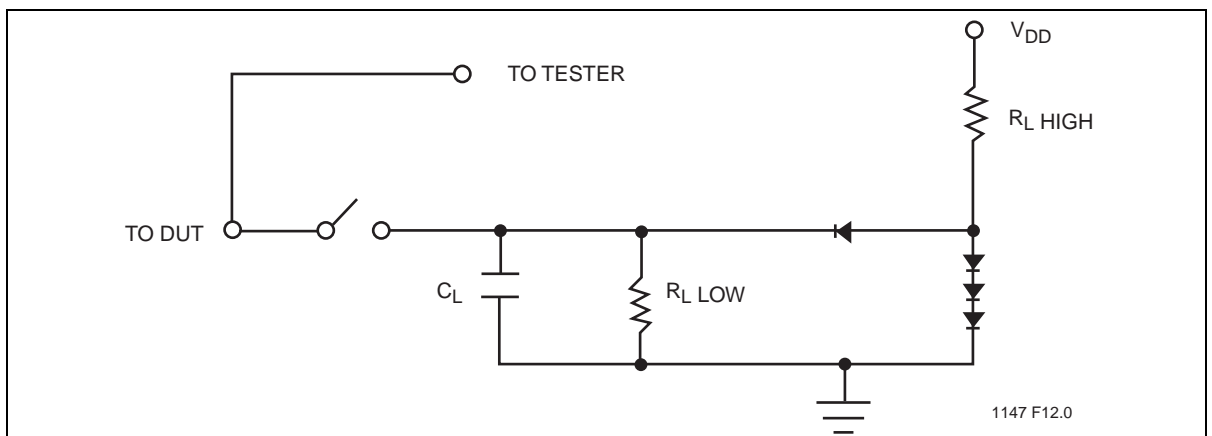


Figure 15: A Test Load Example



Figure 16:Byte-Program Algorithm

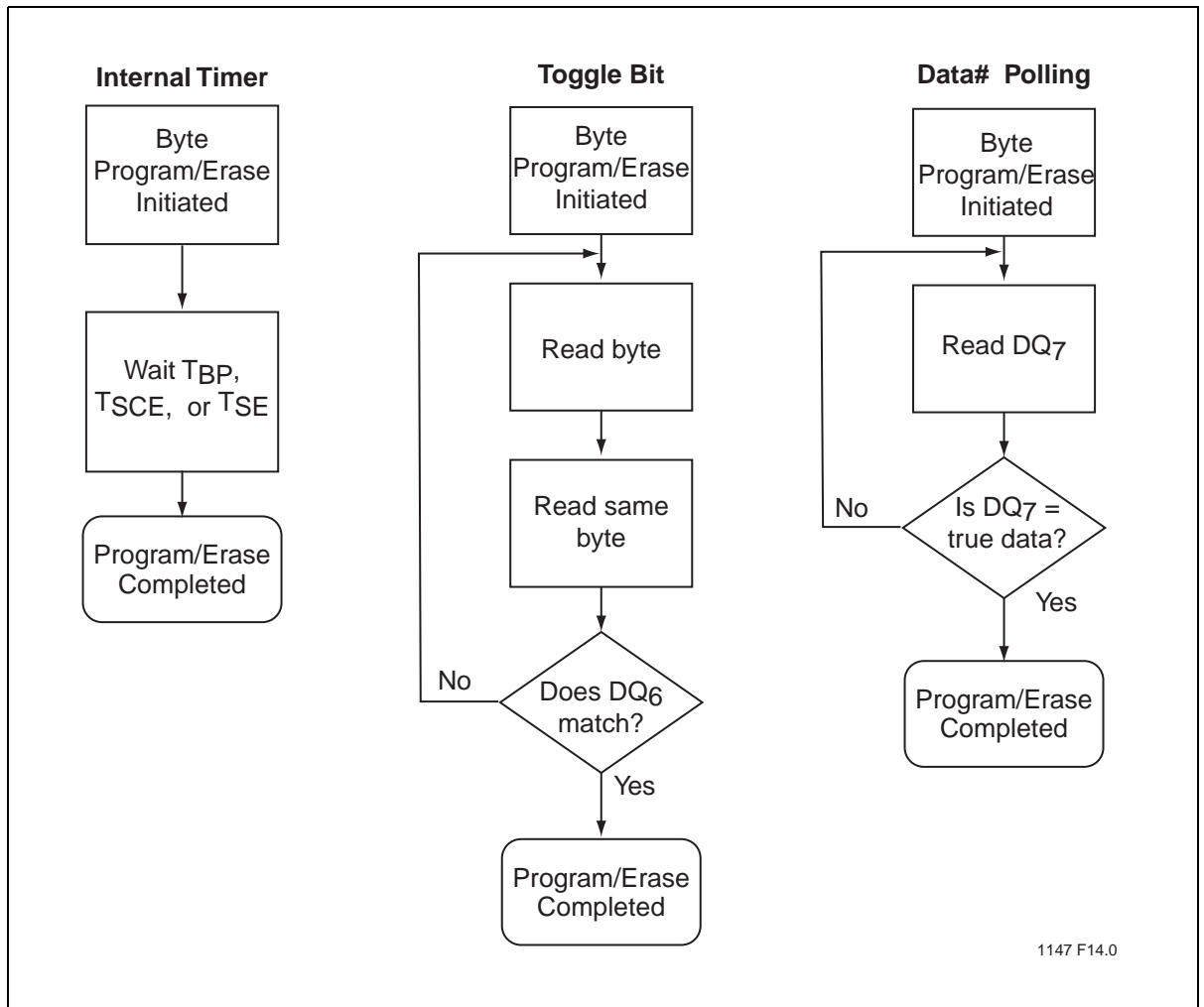


Figure 17: Wait Options



Figure 18: Software Product Command Flowcharts



Figure 19: Erase Command Sequence

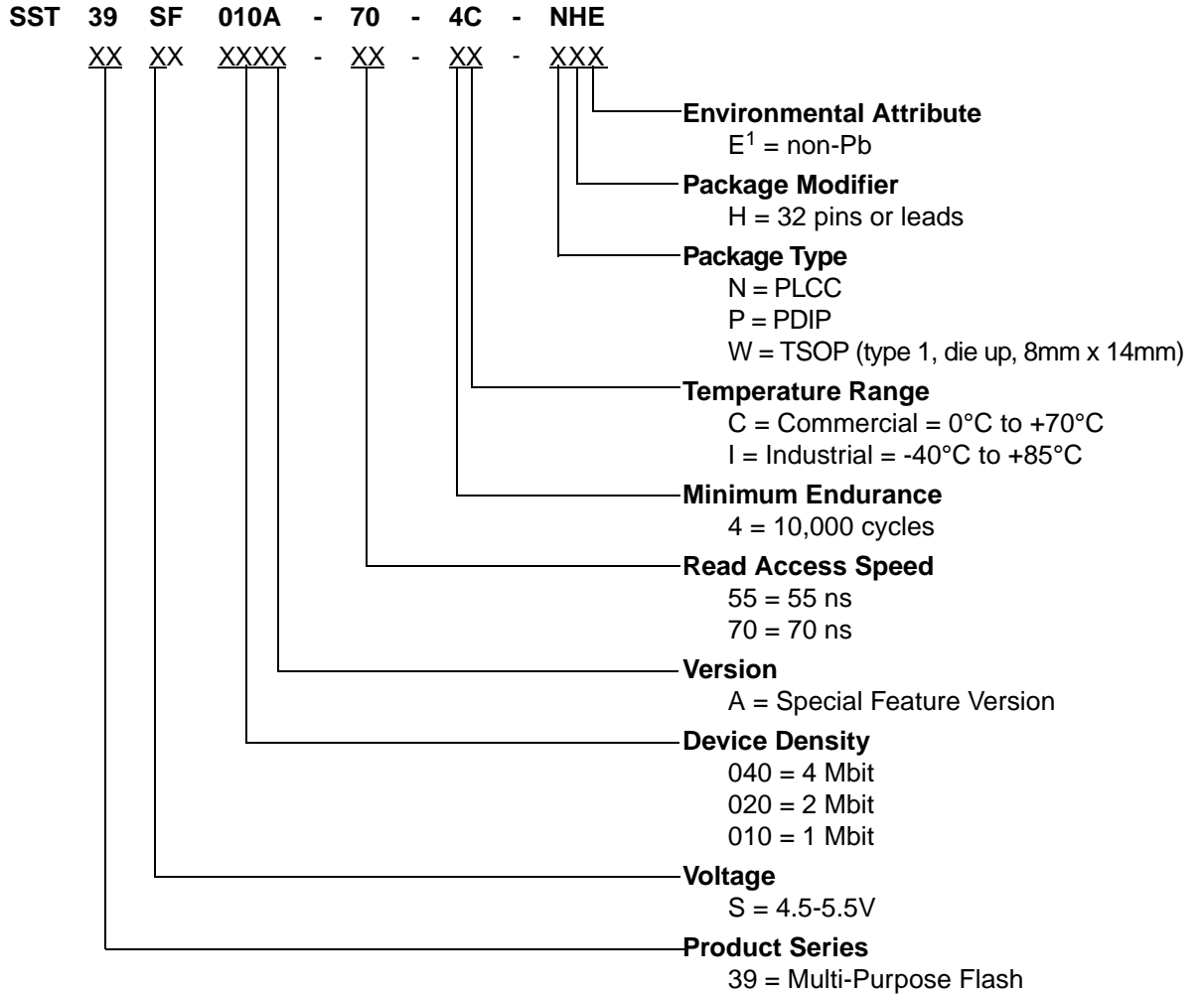


1 Mbit / 2 Mbit / 4 Mbit Multi-Purpose Flash

SST39SF010A / SST39SF020A / SST39SF040

Data Sheet

Product Ordering Information



1. Environmental suffix "E" denotes non-Pb solder. SST non-Pb solder devices are "RoHS Compliant".

Valid combinations for SST39SF010A

SST39SF010A-55-4C-NHE	SST39SF010A-55-4C-WHE	
SST39SF010A-70-4C-NHE	SST39SF010A-70-4C-WHE	SST39SF010A-70-4C-PHE
SST39SF010A-55-4I-NHE	SST39SF010A-55-4I-WHE	
SST39SF010A-70-4I-NHE	SST39SF010A-70-4I-WHE	

Valid combinations for SST39SF020A

SST39SF020A-55-4C-NHE	SST39SF020A-55-4C-WHE	
SST39SF020A-70-4C-NHE	SST39SF020A-70-4C-WHE	SST39SF020A-70-4C-PHE
SST39SF020A-55-4I-NHE	SST39SF020A-55-5I-WHE	
SST39SF020A-70-4I-NHE	SST39SF020A-70-4I-WHE	

Valid combinations for SST39SF040

SST39SF040-55-4C-NHE	SST39SF040-55-4C-WHE	
SST39SF040-70-4C-NHE	SST39SF040-70-4C-WHE	SST39SF040-70-4C-PHE
SST39SF040-55-4I-NHE	SST39SF040-55-4I-WHE	
SST39SF040-70-4I-NHE	SST39SF040-70-4I-WHE	

Note: Valid combinations are those products in mass production or will be in mass production. Consult your SST sales representative to confirm availability of valid combinations and to determine availability of new combinations.

Packaging Diagrams

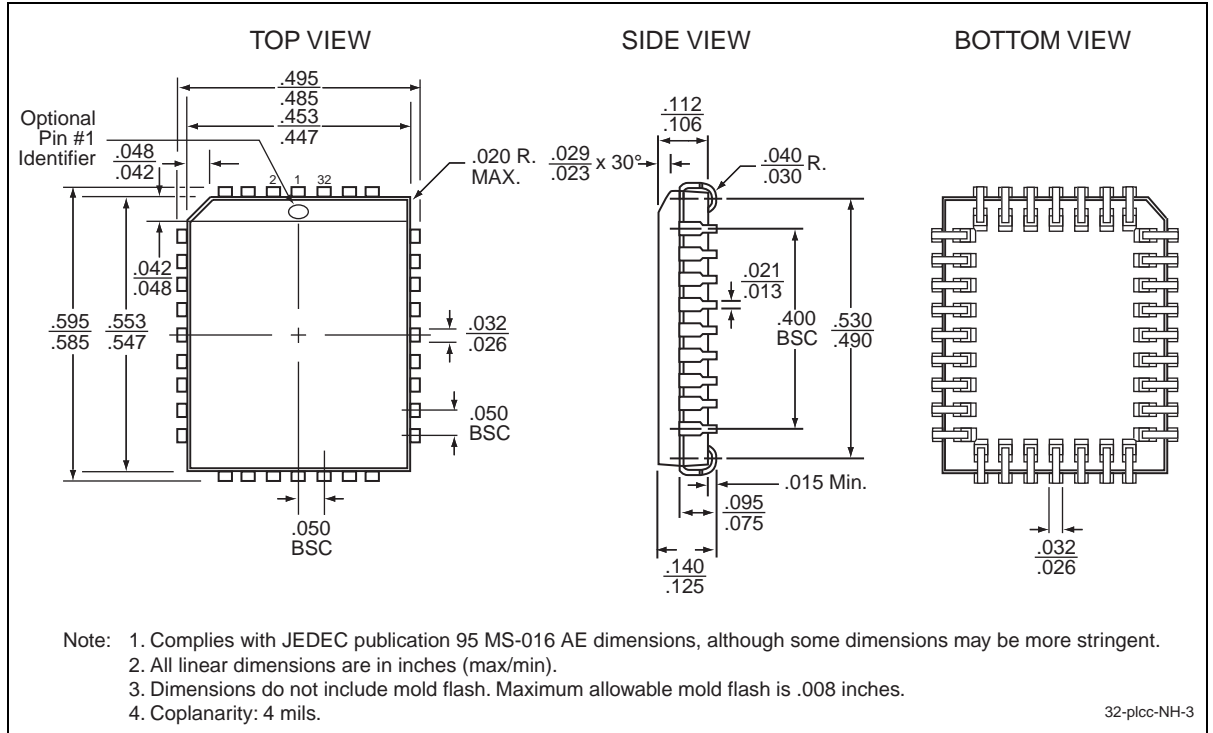


Figure 20:32-lead Plastic Lead Chip Carrier (PLCC)
 SST Package Code: NH



Figure 21: 32-lead Thin Small Outline Package (TSOP) 8mm x 14mm
 SST Package Code: WH



Figure 22: 32-pin Plastic Dual In-line Pins (PDIP)
 SST Package Code: PH



1 Mbit / 2 Mbit / 4 Mbit Multi-Purpose Flash

SST39SF010A / SST39SF020A / SST39SF040

Data Sheet

Table 13: Revision History

Revision	Description	Date
02	<ul style="list-style-type: none">2002 Data Book	May 2002
03	<ul style="list-style-type: none">Changes to Table 7 on page 12Added footnote for MPF power usage and Typical conditionsClarified the Test Conditions for Power Supply Current and Read parametersClarified I_{DD} Write to be Program and Erase	Mar 2003
04	<ul style="list-style-type: none">Document status changed from "Preliminary Specification" to "Data Sheet"Changed I_{DD} Program and Erase max values from 25 to 35 in Table 7 on page 12	Oct 2003
05	<ul style="list-style-type: none">2004 Data BookAdded non-Pb MPNs and removed footnote (See page 24)	Nov 2003
06	<ul style="list-style-type: none">Corrected Revision History for Version 04: I_{DD} max value was incorrectly stated as 30 mA instead of 35 mA	Aug 2004
07	<ul style="list-style-type: none">Removed leaded parts from valid combinations. See PSN-D0PB0001	Mar 2009
08	<ul style="list-style-type: none">Changed endurance from 10,000 to 100,000 in Product Description, page 1	Sep 2009
09	<ul style="list-style-type: none">End of Life for all 45 ns valid combinations. See S71147(02).Added replacement 55 ns valid combinations	Jan 2010
A	<ul style="list-style-type: none">All 45 ns parts reinstated.Applied new document formatReleased document under letter revision systemUpdated spec number from S71147 to DS25022	Jul 2011
B	<ul style="list-style-type: none">End of Life for all 45 ns valid combinations.Updated Table 6 and Table 11	Apr 2013

ISBN:978-1-62077-167-9

© 2013 Silicon Storage Technology, Inc—a Microchip Technology Company. All rights reserved.

SST, Silicon Storage Technology, the SST logo, SuperFlash, MTP, and FlashFlex are registered trademarks of Silicon Storage Technology, Inc. MPF, SQI, Serial Quad I/O, and Z-Scale are trademarks of Silicon Storage Technology, Inc. All other trademarks and registered trademarks mentioned herein are the property of their respective owners.

Specifications are subject to change without notice. Refer to www.microchip.com for the most recent documentation. For the most current package drawings, please see the Packaging Specification located at <http://www.microchip.com/packaging>.

Memory sizes denote raw storage capacity; actual usable capacity may be less.

SST makes no warranty for the use of its products other than those expressly contained in the Standard Terms and Conditions of Sale.

For sales office locations and information, please see www.microchip.com.

Silicon Storage Technology, Inc.
A Microchip Technology Company
www.microchip.com

Компания «Life Electronics» занимается поставками электронных компонентов импортного и отечественного производства от производителей и со складов крупных дистрибьюторов Европы, Америки и Азии.

С конца 2013 года компания активно расширяет линейку поставок компонентов по направлению коаксиальный кабель, кварцевые генераторы и конденсаторы (керамические, пленочные, электролитические), за счёт заключения дистрибьюторских договоров

Мы предлагаем:

- Конкуренспособные цены и скидки постоянным клиентам.
- Специальные условия для постоянных клиентов.
- Подбор аналогов.
- Поставку компонентов в любых объемах, удовлетворяющих вашим потребностям.
- Приемлемые сроки поставки, возможна ускоренная поставка.
- Доставку товара в любую точку России и стран СНГ.
- Комплексную поставку.
- Работу по проектам и поставку образцов.
- Формирование склада под заказчика.
- Сертификаты соответствия на поставляемую продукцию (по желанию клиента).
- Тестирование поставляемой продукции.
- Поставку компонентов, требующих военную и космическую приемку.
- Входной контроль качества.
- Наличие сертификата ISO.

В составе нашей компании организован Конструкторский отдел, призванный помогать разработчикам, и инженерам.

Конструкторский отдел помогает осуществить:

- Регистрацию проекта у производителя компонентов.
- Техническую поддержку проекта.
- Защиту от снятия компонента с производства.
- Оценку стоимости проекта по компонентам.
- Изготовление тестовой платы монтаж и пусконаладочные работы.



Тел: +7 (812) 336 43 04 (многоканальный)
Email: org@lifeelectronics.ru