

SPDT High Isolation Terminated Switch 0.5 - 3.0 GHz

Rev. V3

Features

- Positive Voltage Control (0 / +5 V)
- High Isolation: 54 dB @ 0.9 GHz
52 dB @ 1.9 GHz
- 50-Ohm Internal Terminations
- Low Insertion Loss: 0.6 dB @ 0.9 GHz
0.7 dB @ 1.9 GHz
- Lead-Free Package: 4 mm 16-Lead PQFN
- 100% Matte Tin Plating over Copper
- Halogen-Free "Green" Mold Compound
- 260°C Reflow Compatible
- RoHS* Compliant Version of SW-475

Description

The M/A-COM MASWSS0121 GaAs monolithic switch provides high isolation in a low-cost, lead-free plastic surface mount package. The MASWSS0121 is ideal for applications across a broad range of frequencies including synthesizer switching, transmit / receive switching, switch matrices and filter banks in systems such as radio and cellular equipment, PCS, GPS, and fiber optic modules.

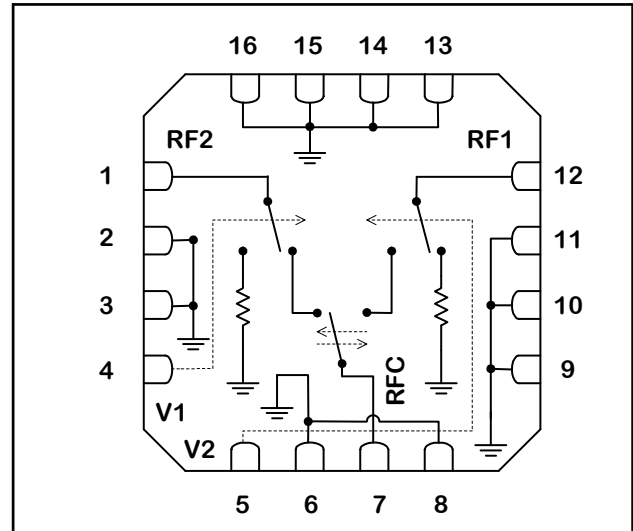
M/A-COM fabricates the MASWSS0121 using a 1.0-micron gate length MESFET process. The process features full chip passivation for performance and reliability.

Ordering Information ¹

Part Number	Package
MASWSS0121	Bulk Packaging
MASWSS0121TR	1000 piece reel
MASWSS0121TR-3000	3000 piece reel
MASWSS0121SMB	Sample board

1. Reference Application Note M513 for reel size information.

Functional Schematic



PIN Configuration

Pin	Function	Description
1	RF2	RF port
2	GND	RF ground
3	GND	RF ground
4	V1	Control 1
5	V2	Control 2
6	GND	RF ground
7	RFC	RF port
8	GND	RF ground
9	GND	RF ground
10	GND	RF ground
11	GND	RF ground
12	RF1	RF port
13	GND	RF ground
14	GND	RF ground
15	GND	RF ground
16	GND	RF ground
17 (pad) ²	GND	RF ground

2. The exposed pad centered on the package bottom must be connected to RF and DC ground.

* Restrictions on Hazardous Substances, European Union Directive 2002/95/EC.

SPDT High Isolation Terminated Switch 0.5 - 3.0 GHz

Rev. V3

Electrical Specifications: $T_A = 25\text{ }^\circ\text{C}$, $Z_0 = 50\text{ Ohms}$, $V_C = 0, 5.0\text{ V}^3$

Parameter	Test Conditions	Units	Min.	Typ.	Max.
Insertion Loss	0.5 - 1 GHz	dB	—	0.6	0.7
	1.0 - 2.0 GHz	dB	—	0.7	0.8
	2.0 - 3.0 GHz	dB	—	0.75	0.9
Isolation	0.5 - 1 GHz	dB	51	54	—
	1.0 - 2.0 GHz	dB	48	52	—
	2.0 - 3.0 GHz	dB	45	50	—
Return Loss	0.5 - 1 GHz	dB	—	20	—
	1.0 - 2.0 GHz	dB	—	20	—
	2.0 - 3.0 GHz	dB	—	20	—
Input IP ₂	2-Tone 900 MHz, 5 MHz spacing	dBm	—	83	—
Input IP ₃	2-Tone 900 MHz, 5 MHz spacing	dBm	—	46	—
P1dB	1 GHz, 5 V	dBm	—	27	—
	1 GHz, 3 V	dBm	—	18	—
P0.1dB	1 GHz, 5 V	dBm	—	24	—
	1 GHz, 3 V	dBm	—	11	—
T _{RISE} , T _{FALL}	10% to 90% RF & 90% to 10% RF	nS	—	24	—
T _{ON} , T _{OFF}	50% of V _C to 10% / 90% RF	nS	—	15	—
Transients	V _C = 5.0 V square wave, in-band	mV	—	12	—
Control Current	V _C = 4.5 V, 0 dBm	μA	—	2	13

3. External DC blocking capacitors are required on all RF ports (47 pF capacitors are recommended).

Absolute Maximum Ratings^{4,5}

Parameter	Absolute Maximum
Input Power (0.5 - 3.0 GHz) 3 V Control 5 V Control	+30 dBm +33 dBm
Operating Voltage	+8.5 volts
Operating Temperature	-40°C to +85°C
Storage Temperature	-65°C to +150°C

4. Exceeding any one or combination of these limits may cause permanent damage to this device.
5. M/A-COM does not recommend sustained operation near these survivability limits.

Handling Procedures

Please observe the following precautions to avoid damage:

Static Sensitivity

Gallium Arsenide Integrated Circuits are sensitive to electrostatic discharge (ESD) and can be damaged by static electricity. Proper ESD control techniques should be used when handling these devices.

Truth Table

V1	V2	RFC - RF1	RFC - RF2
0	1	ON	OFF
1	0	OFF	ON

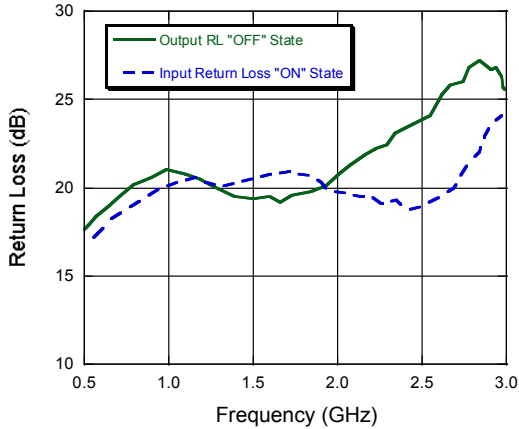
Logic Level	Voltage Level
0	0 V ± 0.2 V
1	3.0 V to 8.0 V

SPDT High Isolation Terminated Switch 0.5 - 3.0 GHz

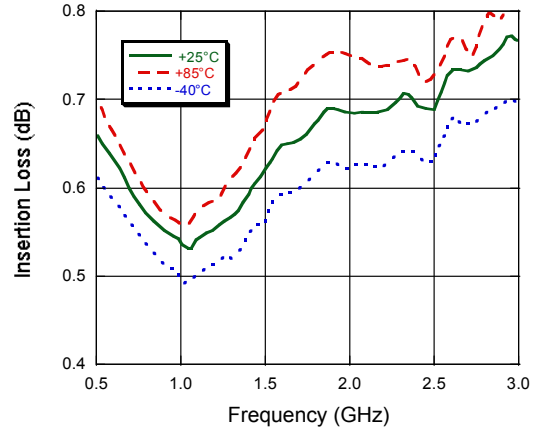
Rev. V3

Typical Performance Curves

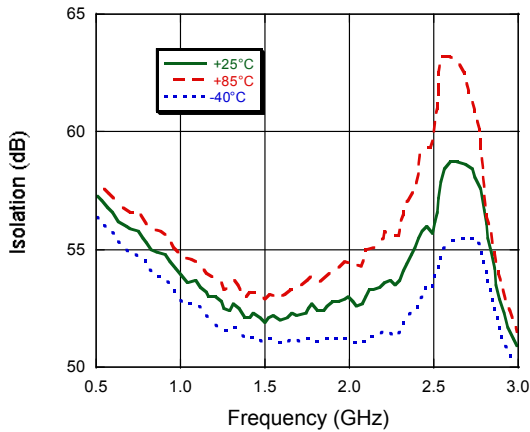
Return Loss



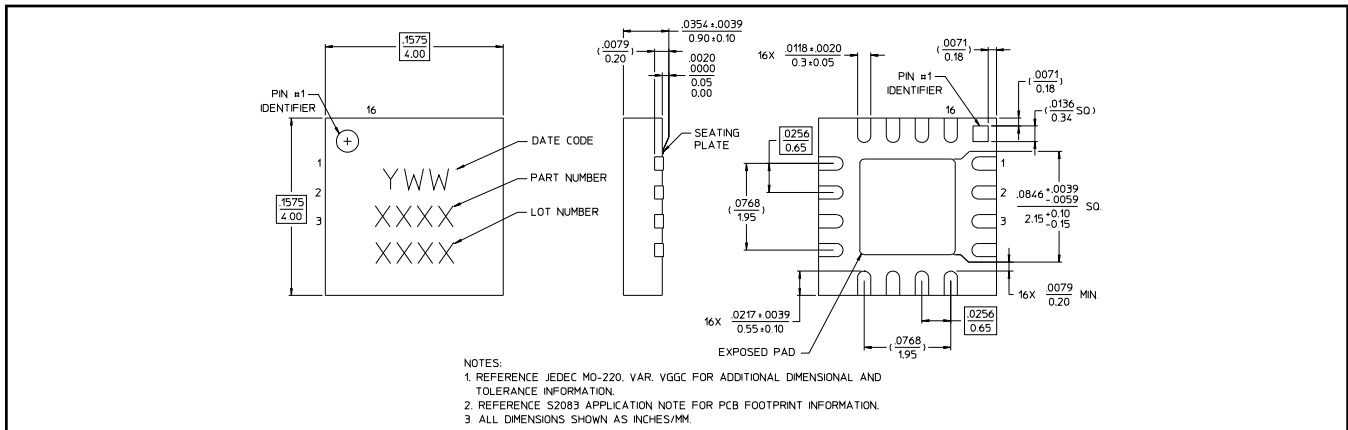
Insertion Loss Over Temperature



Isolation Over Temperature



Lead-Free 4 mm 16-Lead PQFN†



† Reference Application Note M538 for lead-free solder reflow recommendations.

ADVANCED: Data Sheets contain information regarding a product M/A-COM Technology Solutions is considering for development. Performance is based on target specifications, simulated results, and/or prototype measurements. Commitment to develop is not guaranteed.
PRELIMINARY: Data Sheets contain information regarding a product M/A-COM Technology Solutions has under development. Performance is based on engineering tests. Specifications are typical. Mechanical outline has been fixed. Engineering samples and/or test data may be available. Commitment to produce in volume is not guaranteed.

- **North America** Tel: 800.366.2266 / Fax: 978.366.2266
- **Europe** Tel: 44.1908.574.200 / Fax: 44.1908.574.300
- **Asia/Pacific** Tel: 81.44.844.8296 / Fax: 81.44.844.8298

Visit www.macomtech.com for additional data sheets and product information.

M/A-COM Technology Solutions Inc. and its affiliates reserve the right to make changes to the product(s) or information contained herein without notice.

Компания «Life Electronics» занимается поставками электронных компонентов импортного и отечественного производства от производителей и со складов крупных дистрибьюторов Европы, Америки и Азии.

С конца 2013 года компания активно расширяет линейку поставок компонентов по направлению коаксиальный кабель, кварцевые генераторы и конденсаторы (керамические, пленочные, электролитические), за счёт заключения дистрибьюторских договоров

Мы предлагаем:

- Конкурентоспособные цены и скидки постоянным клиентам.
- Специальные условия для постоянных клиентов.
- Подбор аналогов.
- Поставку компонентов в любых объемах, удовлетворяющих вашим потребностям.
- Приемлемые сроки поставки, возможна ускоренная поставка.
- Доставку товара в любую точку России и стран СНГ.
- Комплексную поставку.
- Работу по проектам и поставку образцов.
- Формирование склада под заказчика.
- Сертификаты соответствия на поставляемую продукцию (по желанию клиента).
- Тестирование поставляемой продукции.
- Поставку компонентов, требующих военную и космическую приемку.
- Входной контроль качества.
- Наличие сертификата ISO.

В составе нашей компании организован Конструкторский отдел, призванный помогать разработчикам, и инженерам.

Конструкторский отдел помогает осуществить:

- Регистрацию проекта у производителя компонентов.
- Техническую поддержку проекта.
- Защиту от снятия компонента с производства.
- Оценку стоимости проекта по компонентам.
- Изготовление тестовой платы монтаж и пусконаладочные работы.



Тел: +7 (812) 336 43 04 (многоканальный)
Email: org@lifeelectronics.ru