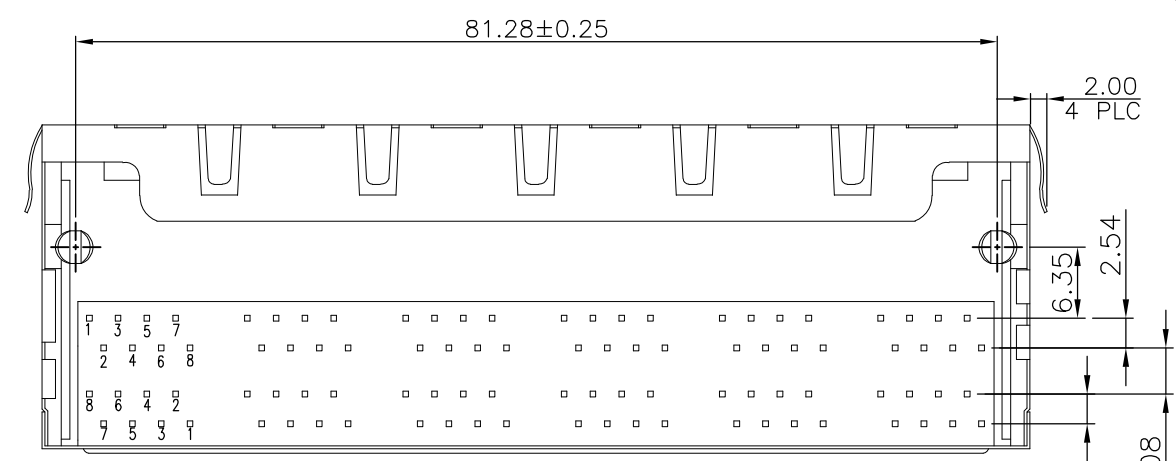
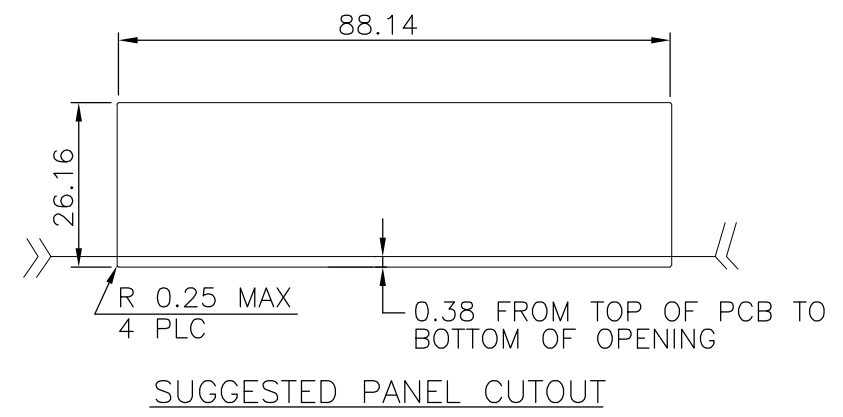
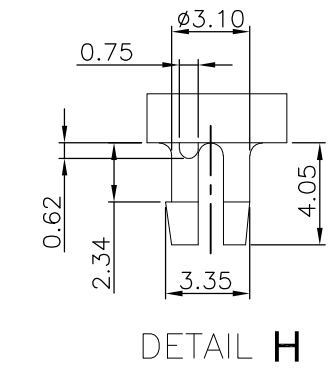
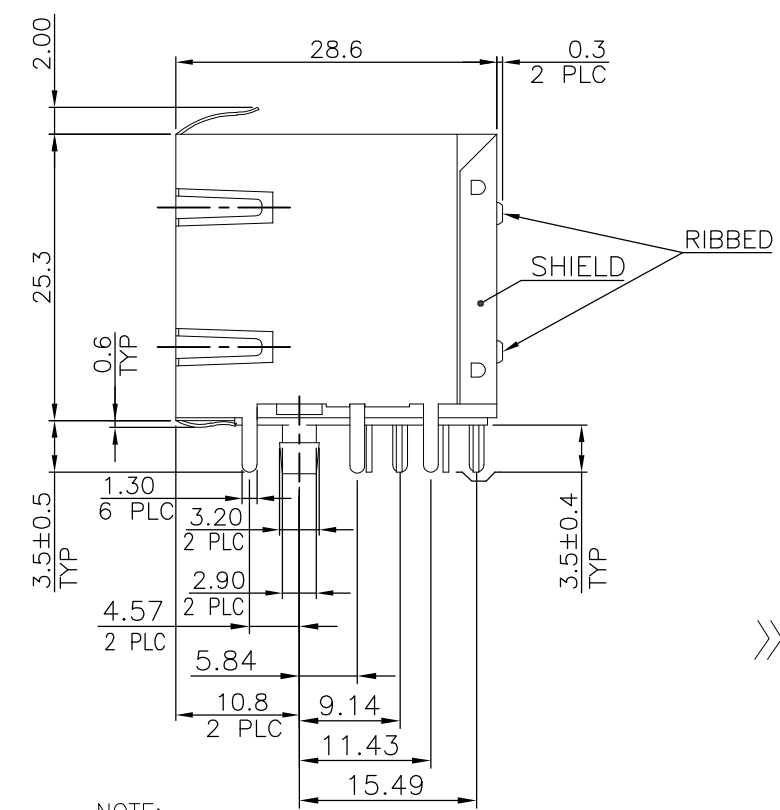
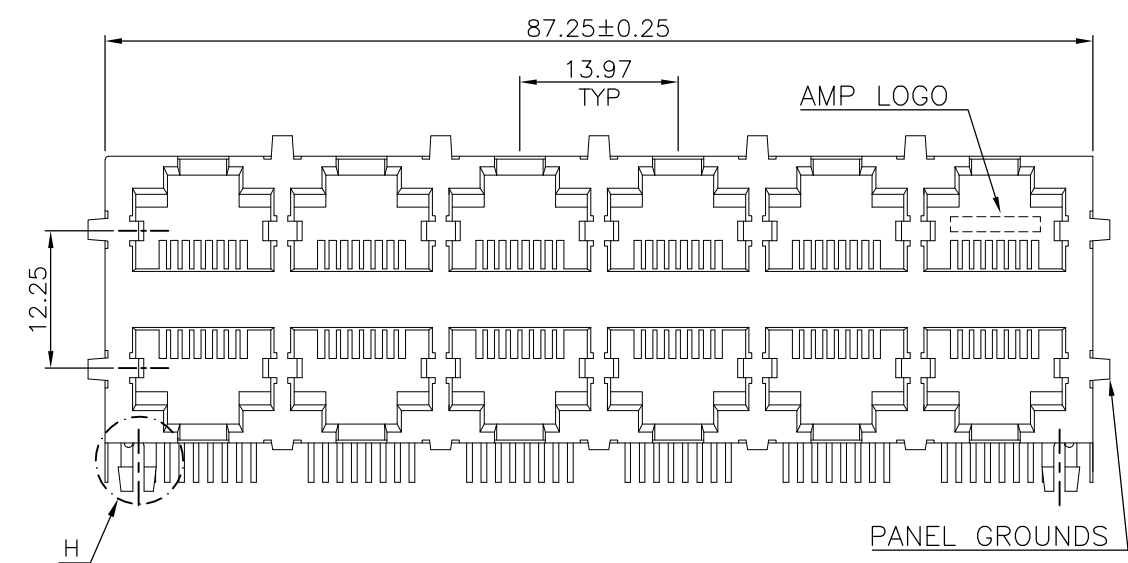


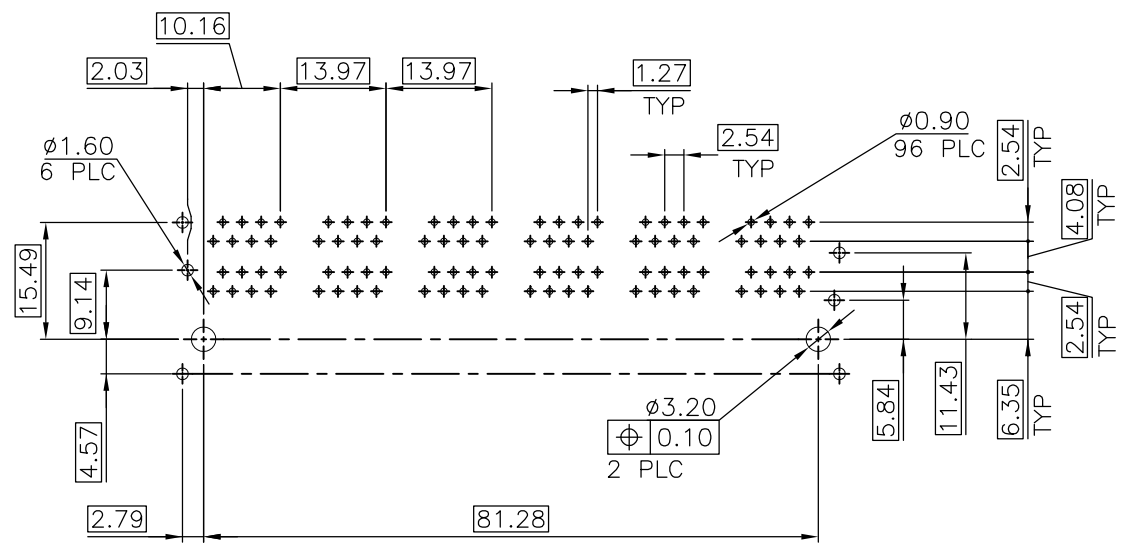
THIS DRAWING IS UNPUBLISHED. RELEASED FOR PUBLICATION  
 © COPYRIGHT BY TYCO ELECTRONICS CORPORATION. ALL RIGHTS RESERVED.

| LOC | DIST | REVISIONS |     |                           |         |     |      |
|-----|------|-----------|-----|---------------------------|---------|-----|------|
|     |      | P         | LTR | DESCRIPTION               | DATE    | DWN | APVD |
| DW  | -    | B1        |     | REVISED (ECR-09-010503)   | 07MAY09 | SC  | WK   |
|     |      | B2        |     | REVISED PER ECO-09-024606 | 02NOV09 | KK  | AEG  |



- NOTE:
- MATERIAL:  
 HOUSING: THERMOPLASTIC (SEE TABLE) WITH 30% GF, UL 94V-0, BLACK COLOR.  
 CONTACTS: PHOSPHOR BRONZE.  
 SHIELD: BRASS.
  - FINISH:  
 CONTACTS: (SEE TABLE) GOLD PLATED ON CONTACT AREA, GOLD FLASH ON SOLDER TAIL, WITH ENTIRE CONTACT UNDERPLATED 1.27µm [50µ"] MIN. NICKEL.  
 SHIELD: ▲ GOLD FLSH OVER 0.51µm [20µ"] MIN. NICKEL UNDERPLATED OVERALL.  
 ▲ 0.635µm [25µ"] MIN. NICKEL PLATED.
- ▲ WAVE SOLDER CAPABLE TO 220°C  
 ▲ WAVE SOLDER CAPABLE TO 265°C PER TYCO TEST SPEC. 109-202, CONDITION B.  
 ▲ OBSOLETE PARTS: OBSOLETE CIS STREAMLINING PER D.RENAUD/D.SINISI

| HOUSING'S MATERIAL | NO. OF PORTS | SHIELD PLATING | MIN. GOLD THICKNESS | PART NUMBER |             |
|--------------------|--------------|----------------|---------------------|-------------|-------------|
| OBSOLETE           | 12           | ▲              | 30µ"                | 6-1734473-6 |             |
|                    |              |                | 15µ"                | 6-1734473-5 |             |
|                    |              |                | 6µ"                 | 6-1734473-4 |             |
|                    | PBT          | 12             | ▲                   | 30µ"        | 6-1734473-3 |
|                    |              |                |                     | 15µ"        | 6-1734473-2 |
|                    |              |                |                     | 6µ"         | 6-1734473-1 |



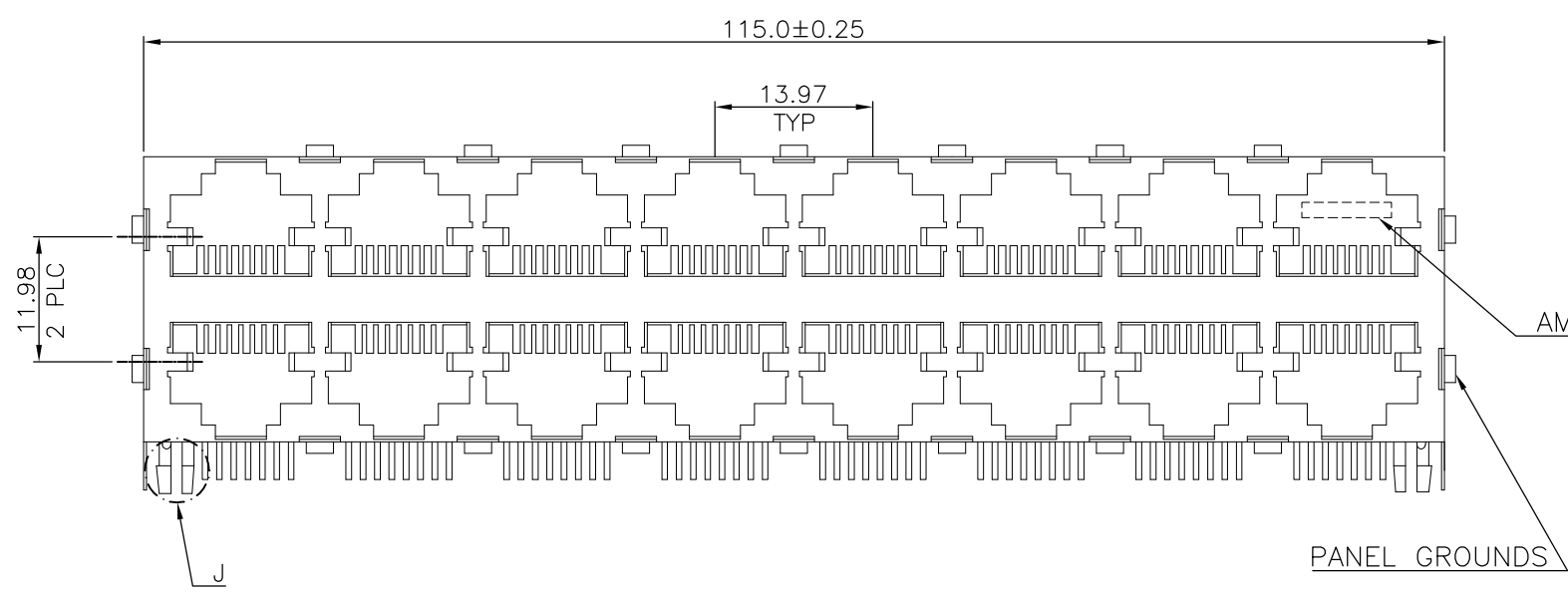
RECOMMENDED PCB LAYOUT (THICKNESS: 1.6mm)  
 DIMENSION TOLERANCE: (1 PLC: ±0.1 2PLC: ±0.05)

THIS DRAWING IS A CONTROLLED DOCUMENT.

|                           |  |
|---------------------------|--|
| DWN S. CHIEN 07MAY2009    | Tyco Electronics Corporation<br>Taipei, Taiwan               |
| CHK S. CHIEN 07MAY2009    |  |
| APVD W. KODAMA 07MAY2009  |  |
| NAME                      |  |
| PRODUCT SPEC              | 108-57535  |
| QUALIFICATION TEST REPORT | 501-57625  |
| WEIGHT 70 GRAMS           | SIZE A3 CAGE CODE 00779 DRAWING NO C=1734473 RESTRICTED TO - |
| CUSTOMER DRAWING          | SCALE - SHEET 1 OF 5 REV B2                                  |

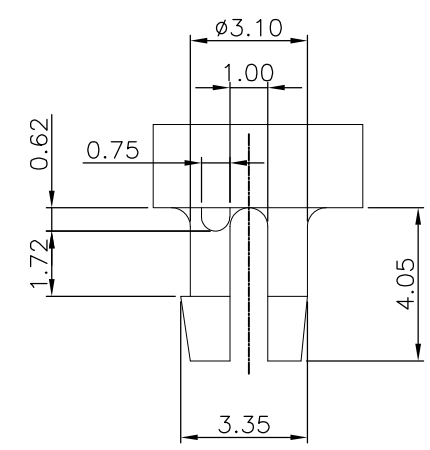
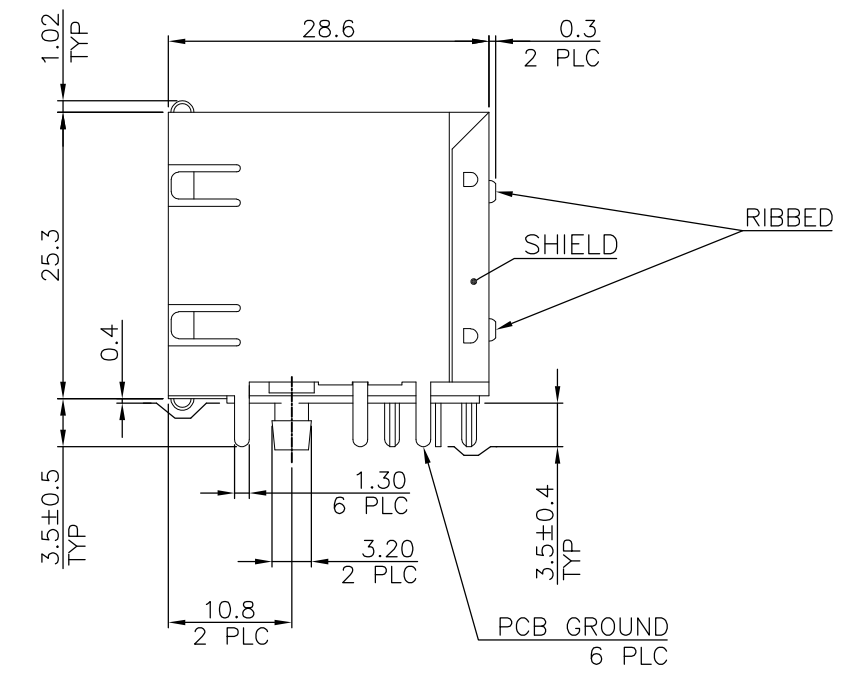
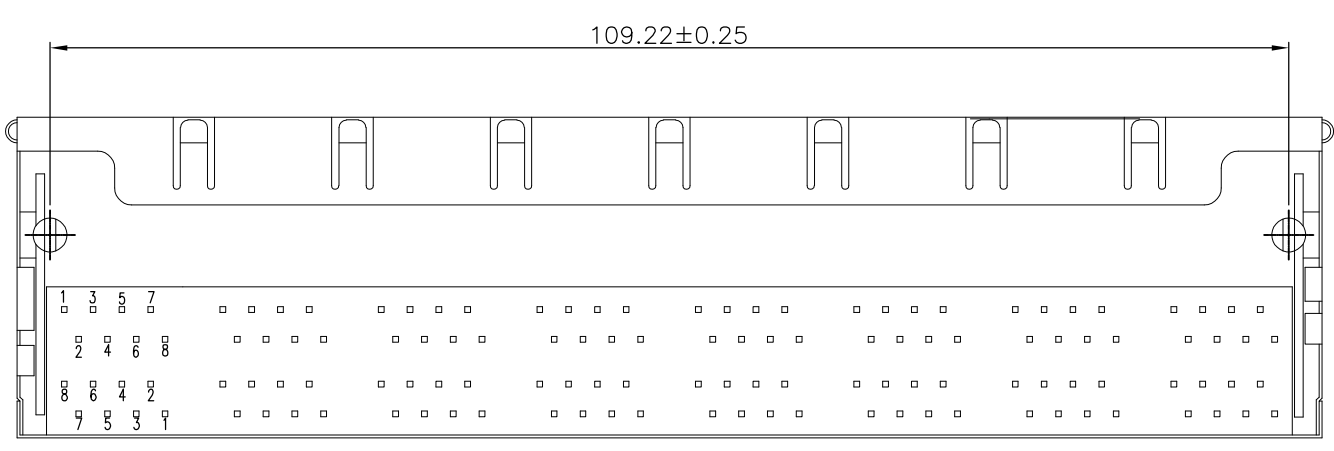
THIS DRAWING IS UNPUBLISHED. RELEASED FOR PUBLICATION  
 © COPYRIGHT BY TYCO ELECTRONICS CORPORATION. ALL RIGHTS RESERVED.

| LOC | DIST | REVISIONS |     |              |      |     |      |
|-----|------|-----------|-----|--------------|------|-----|------|
| DW  | -    | P         | LTR | DESCRIPTION  | DATE | DWN | APVD |
|     |      |           |     | SEE SHEET 1. |      |     |      |



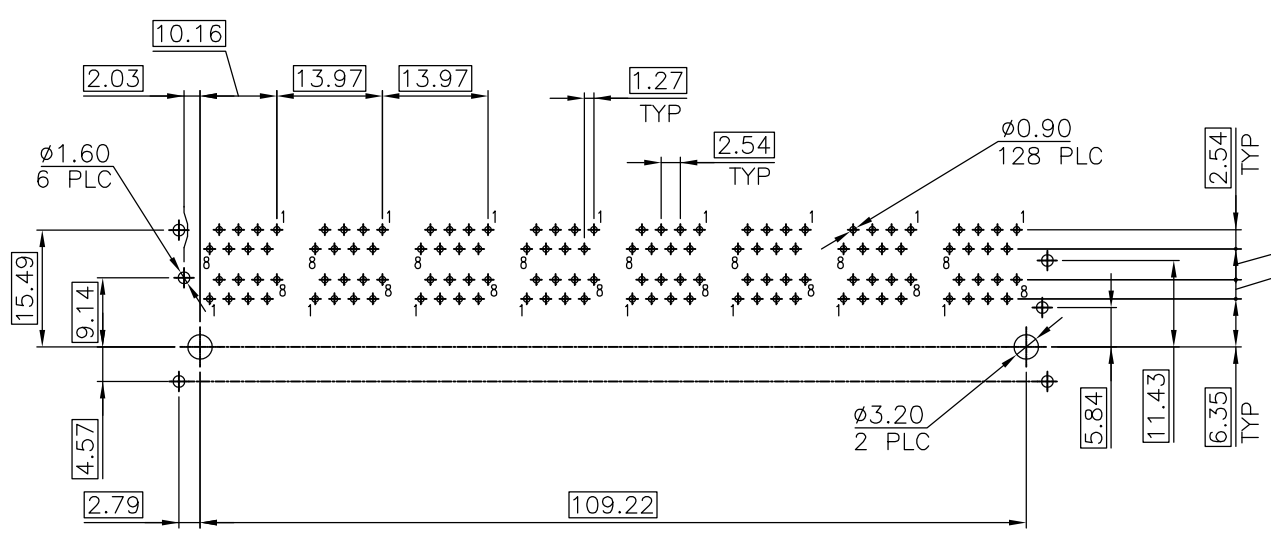
AMP LOGO

PANEL GROUNDS



DETAIL J

- NOTE:
- MATERIAL:  
HOUSING: PBT WITH 30% GF, UL 94V-0, BLACK COLOR.  
CONTACTS: PHOSPHOR BRONZE.  
SHIELD: BRASS.
  - FINISH:  
CONTACTS: (SEE TABLE) GOLD PLATED ON CONTACT AREA, GOLD FLASH ON SOLDER TAIL, WITH ENTIRE CONTACT UNDERPLATED 1.27µm [50µ"] MIN. NICKEL.
  - WAVE SOLDER CAPABLE TO 240°C PER TYCO TEST SPEC. 109-202, CONDITION A.



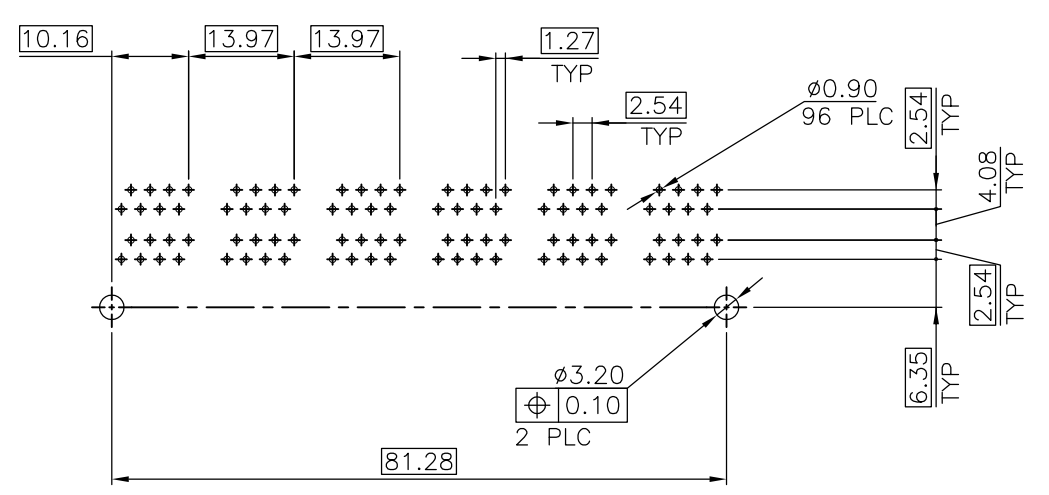
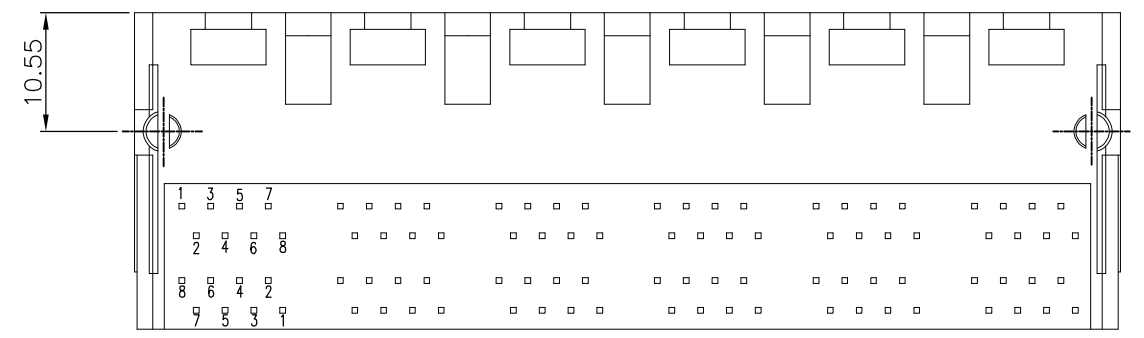
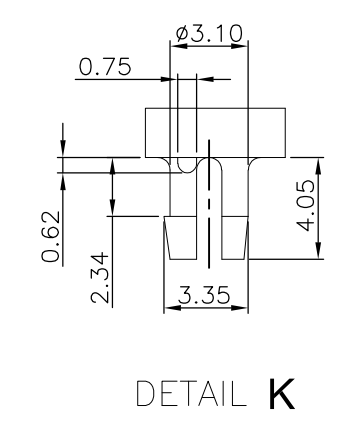
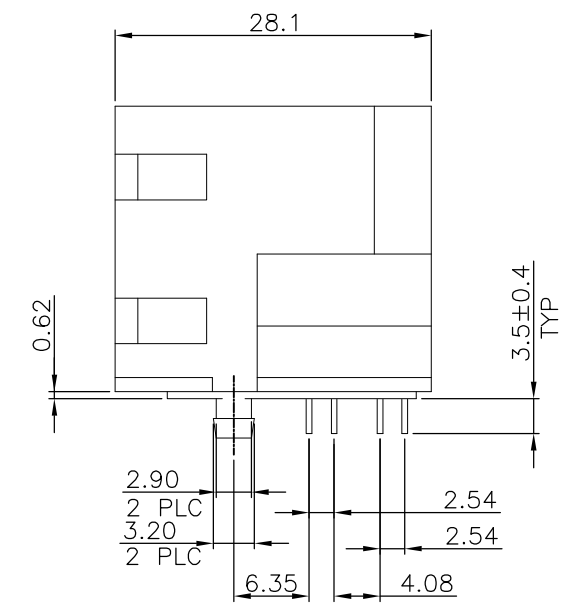
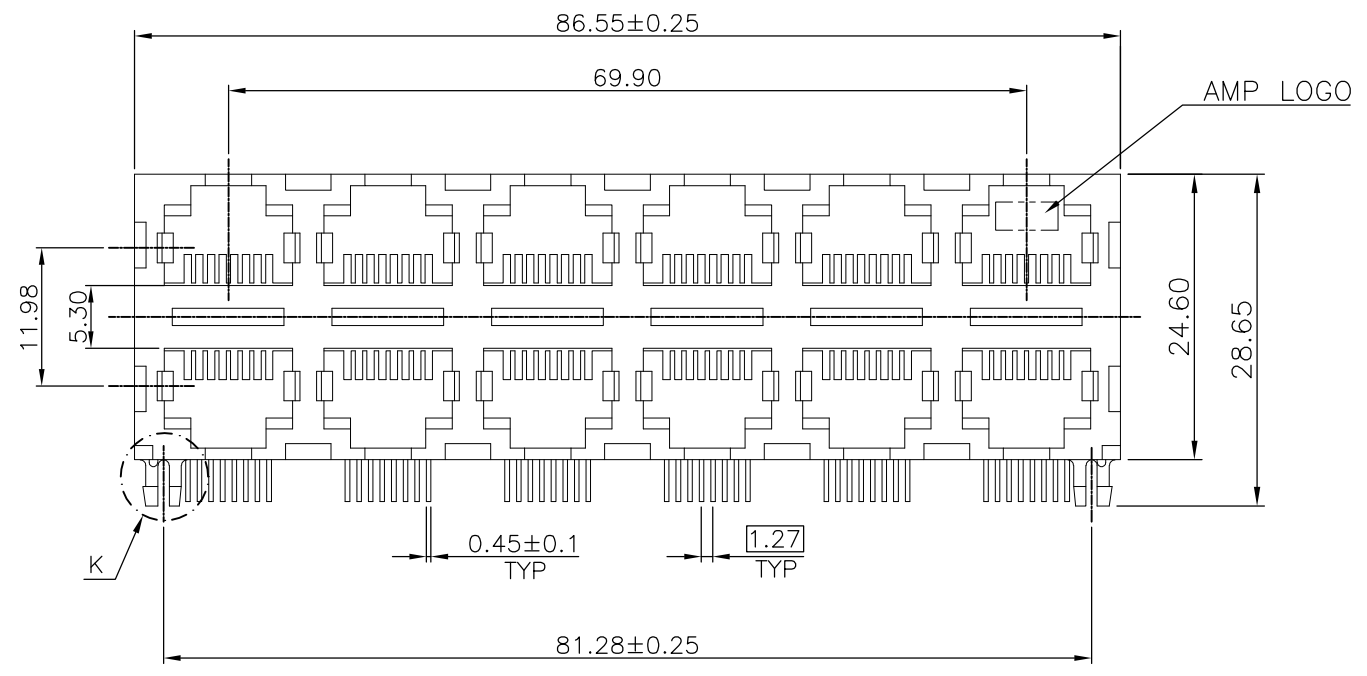
RECOMMENDED PCB LAYOUT (THICKNESS: 1.6mm)  
 DIMENSION TOLERANCE: (1 PLC: ±0.1 2PLC: ±0.05)

| 16           | 25µ" MIN. NICKEL | W/O                       | 6µ"                 | 2-1734473-8 |
|--------------|------------------|---------------------------|---------------------|-------------|
|              |                  |                           | 30µ"                | 2-1734473-7 |
|              |                  | W/                        | 30µ"                | 2-1734473-3 |
|              |                  |                           | 15µ"                | 2-1734473-2 |
|              |                  |                           | 6µ"                 | 2-1734473-1 |
| NO. OF PORTS | SHIELD PLATING   | TIN PLATED ON PCB GROUNDS | MIN. GOLD THICKNESS | PART NUMBER |

|  |                 |                           |  |   |         |
|--|-----------------|---------------------------|--|---|---------|
| THIS DRAWING IS A CONTROLLED DOCUMENT. |                 | DWN                       |  | Tyco Electronics Corporation<br>Taipei, Taiwan                            |         |
| DIMENSIONS: MM                         |                 | CHK                       |  | NAME  |         |
| TOLERANCES UNLESS OTHERWISE SPECIFIED: |                 | APVD                      |  | MODULAR JACK RJ45, STACKED, MULTI-PORT, SHIELDED, THRU-HOLE, PANEL GROUND |         |
| 0 PLC ± 0.50                           | 1 PLC ± 0.38    | PRODUCT SPEC              |  | 108-57535   |         |
| 2 PLC ± 0.25                           | 3 PLC ± 0.10    | QUALIFICATION TEST REPORT |  | 501-57625   |         |
| 4 PLC ± -                              | ANGLES ± -      | WEIGHT                    |  | 90.5 GRAMS  |         |
| MATERIAL SEE NOTE                      | FINISH SEE NOTE | CUSTOMER DRAWING          |  | SIZE  | A3      |
|  |                 | CAGE CODE                 |  | DRAWING NO  | 1734473 |
|  |                 | RESTRICTED TO             |  | SCALE   | -       |
|  |                 | SHEET                     |  | 2 OF 5  | REV B2  |

THIS DRAWING IS UNPUBLISHED. RELEASED FOR PUBLICATION  
 © COPYRIGHT BY TYCO ELECTRONICS CORPORATION. ALL RIGHTS RESERVED.

| LOC | DIST | REVISIONS |     |              |      |     |      |
|-----|------|-----------|-----|--------------|------|-----|------|
| DW  | -    | P         | LTR | DESCRIPTION  | DATE | DWN | APVD |
|     |      |           |     | SEE SHEET 1. |      |     |      |



- NOTE:
- MATERIAL:  
HOUSING: PBT WITH 30% GF, UL 94V-0, BLACK COLOR.  
CONTACTS: PHOSPHOR BRONZE.
  - FINISH:  
CONTACTS: (SEE TABLE) GOLD PLATED ON CONTACT AREA,  
GOLD FLASH ON SOLDER TAIL, WITH ENTIRE  
CONTACT UNDERPLATED 1.27µm [50µ"] MIN. NICKEL.
  - WAVE SOLDER CAPABLE TO 240°C PER TYCO TEST SPEC.  
109-202, CONDITION A.
  - THIS PRODUCT WITHOUT SHIELD.

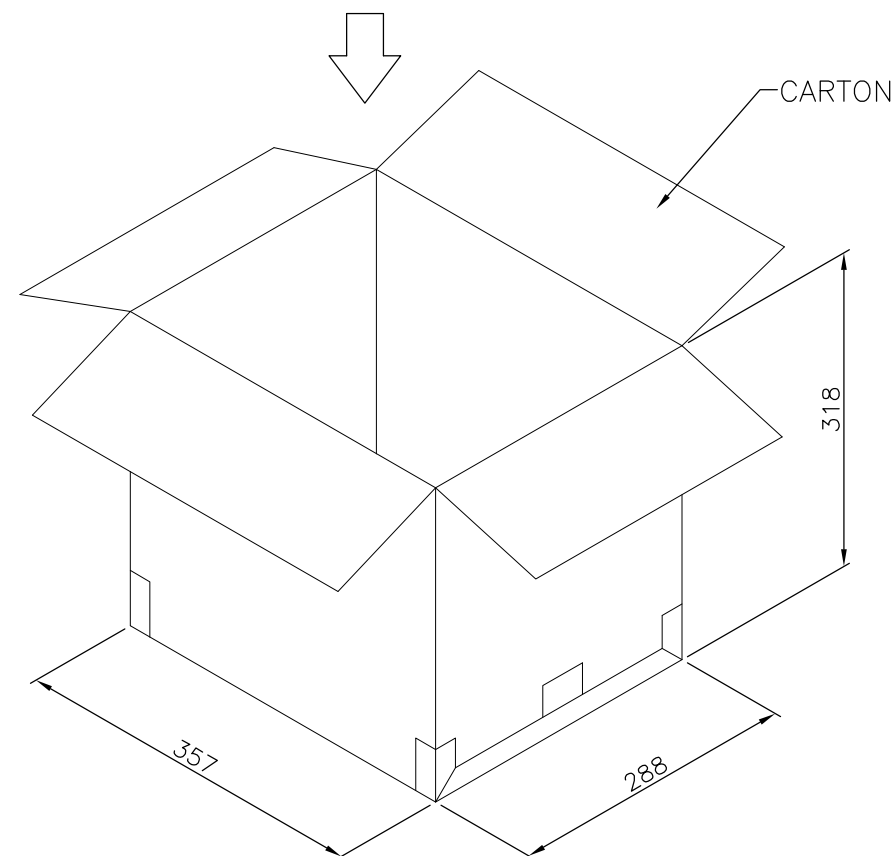
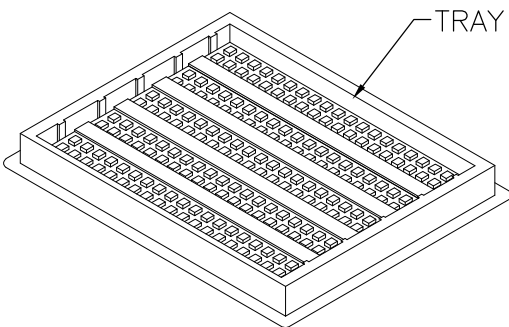
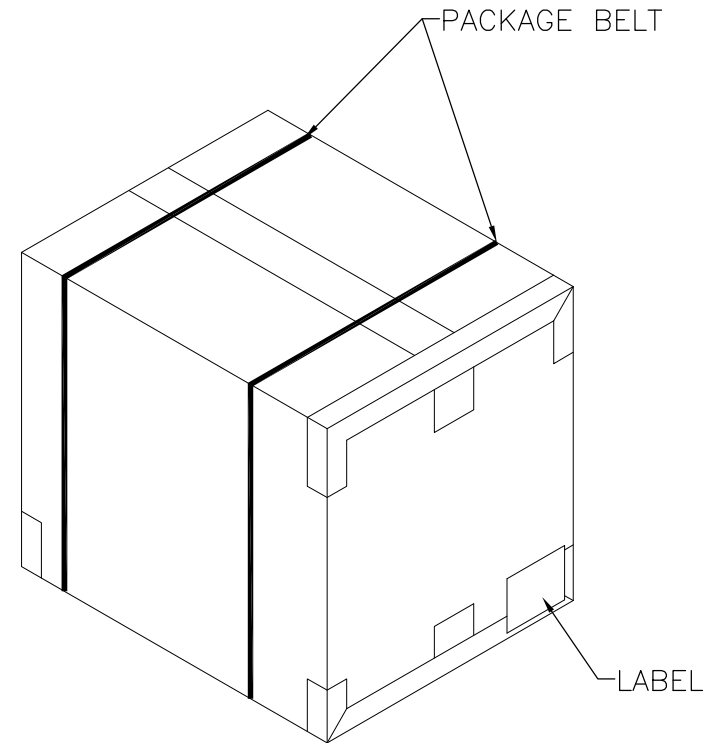
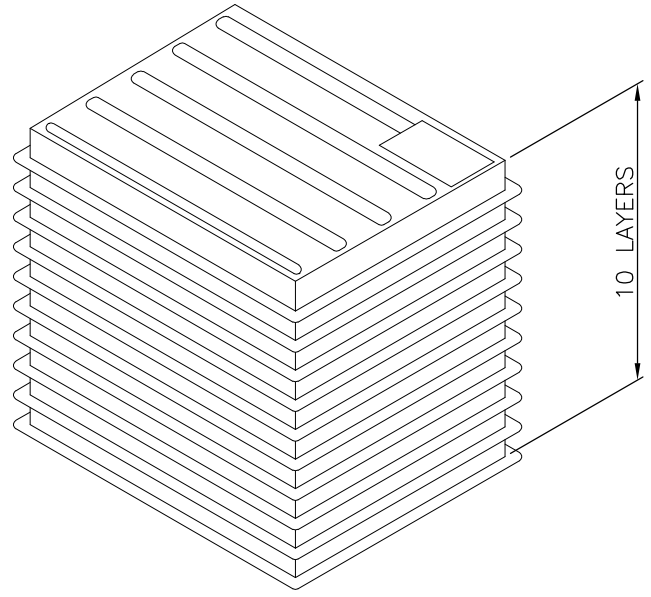
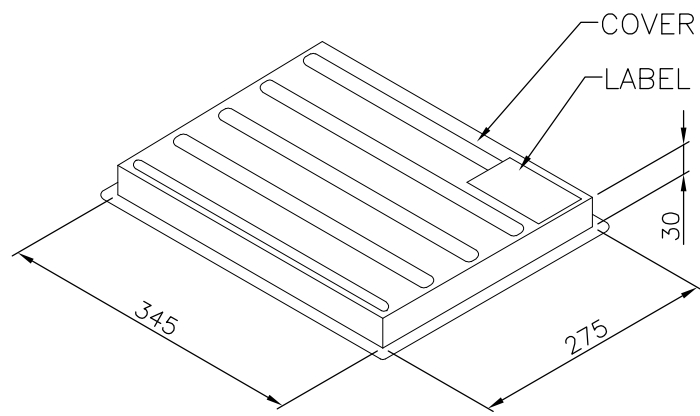
| 12           | 30µ"                | 7-1734473-3 |
|--------------|---------------------|-------------|
|              | 15µ"                | 7-1734473-2 |
|              | 6µ"                 | 7-1734473-1 |
| NO. OF PORTS | MIN. GOLD THICKNESS | PART NUMBER |

RECOMMENDED PCB LAYOUT (THICKNESS: 1.6mm)  
 DIMENSION TOLERANCE: (1 PLC: ±0.1 2PLC: ±0.05)

|  |  |                           |   |               |
|--|--|---------------------------|---|---------------|
| THIS DRAWING IS A CONTROLLED DOCUMENT. |  | DWN                       | Tyco Electronics Corporation<br>Taipei, Taiwan                            |               |
| DIMENSIONS: MM                         |  | CHK                       | NAME  |               |
| TOLERANCES UNLESS OTHERWISE SPECIFIED: |  | APVD                      | MODULAR JACK RJ45, STACKED, MULTI-PORT, SHIELDED, THRU-HOLE, PANEL GROUND |               |
| 0 PLC ± 0.50                           |  | PRODUCT SPEC              | SIZE  | CAGE CODE     |
| 1 PLC ± 0.38                           |  | 108-57535                 | A3  | 00779         |
| 2 PLC ± 0.25                           |  | QUALIFICATION TEST REPORT | DRAWING NO  | RESTRICTED TO |
| 3 PLC ± 0.10                           |  | 501-57625                 | C=1734473   | -             |
| 4 PLC ± -                              |  | WEIGHT                    | SCALE   | SHEET         |
| ANGLES ± -                             |  | 70 GRAMS                  | -   | 3 OF 5        |
| FINISH                                 |  | CUSTOMER DRAWING          | REV   | B2            |
| SEE NOTE                               |  |                           |   |               |

THIS DRAWING IS UNPUBLISHED. RELEASED FOR PUBLICATION  
 © COPYRIGHT - BY TYCO ELECTRONICS CORPORATION. ALL RIGHTS RESERVED.

| LOC | DIST | REVISIONS |     |              |      |     |      |
|-----|------|-----------|-----|--------------|------|-----|------|
| DW  | -    | P         | LTR | DESCRIPTION  | DATE | DWN | APVD |
|     |      |           |     | SEE SHEET 1. |      |     |      |

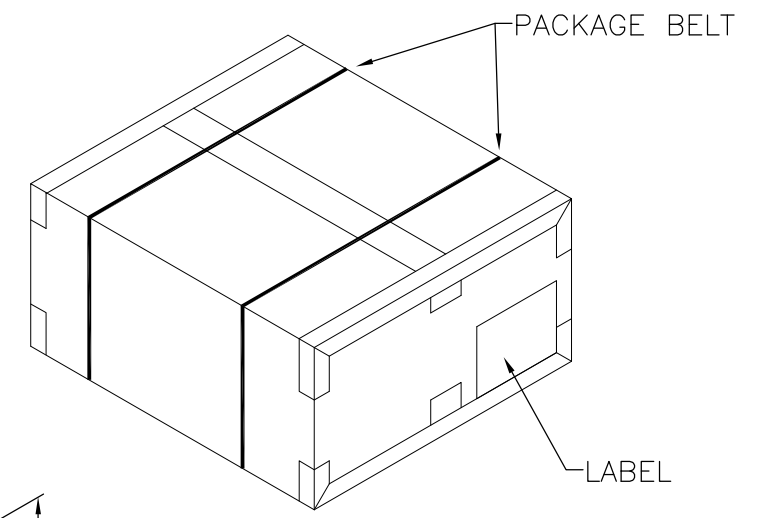
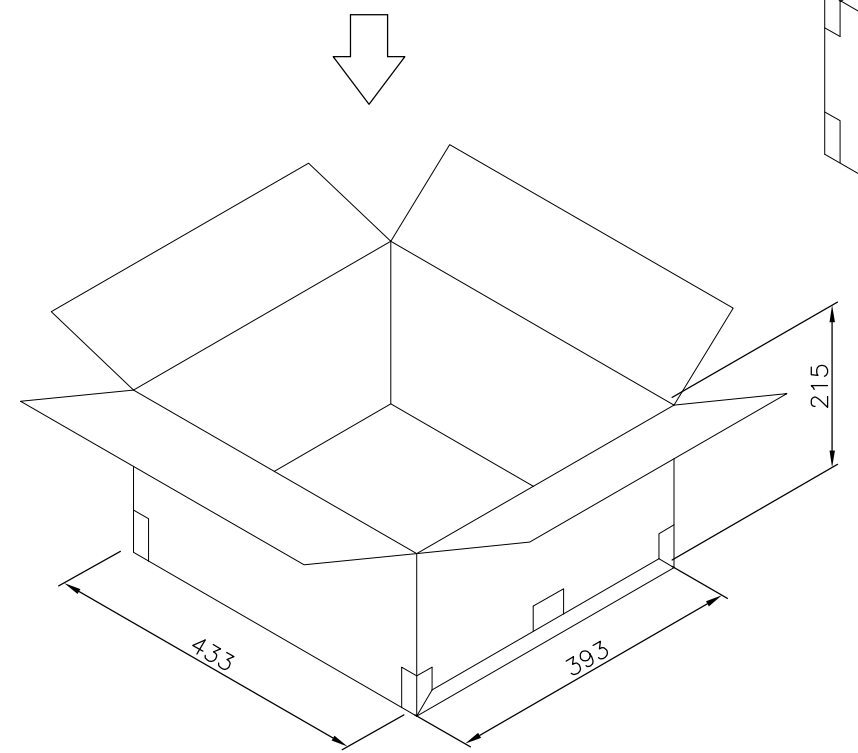
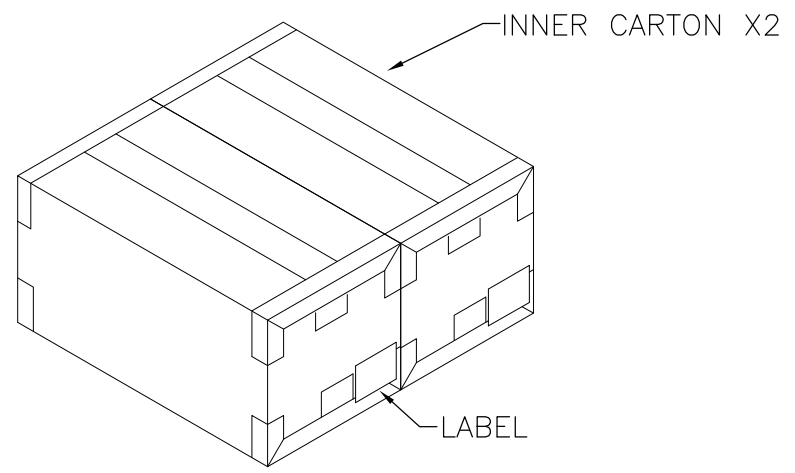
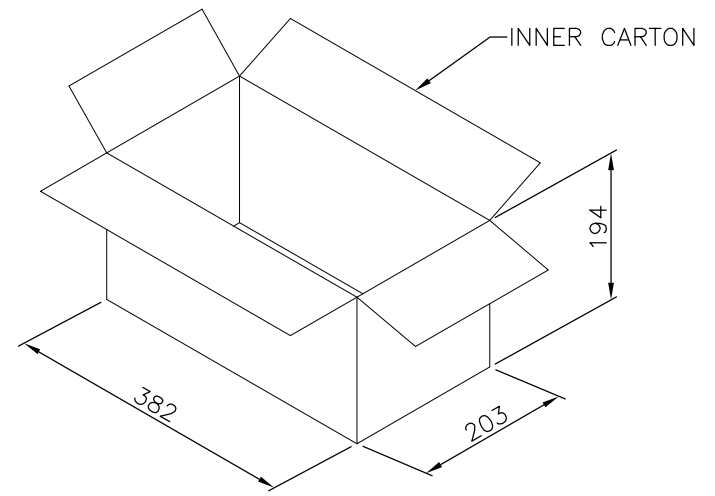
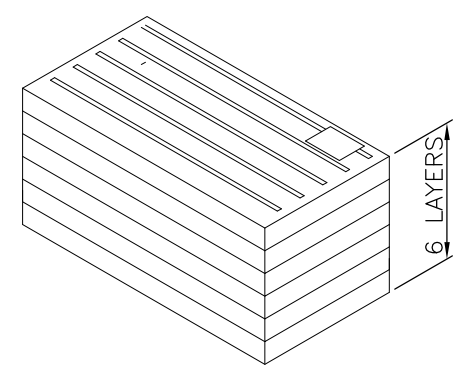
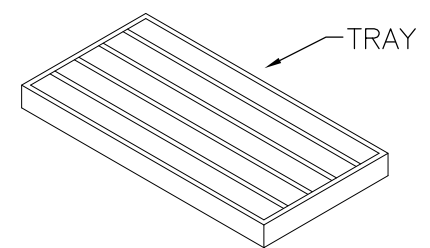
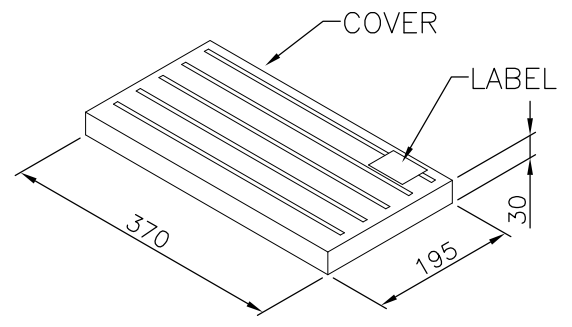


| 12.5 Kg      | 10.5 Kg    | 15       | 10            | 150 PCS  | 6-1734473-X |
|--------------|------------|----------|---------------|----------|-------------|
| 12.5 Kg      | 10.5 Kg    | 15       | 10            | 150 PCS  | 1-1734473-X |
| GROSS WEIGHT | NET WEIGHT | PCS/TRAY | TRAYS /CARTON | QUANTITY | PART NUMBER |

|   |  |                  |   |           |            |               |
|---|--|------------------|---|-----------|------------|---------------|
| THIS DRAWING IS A CONTROLLED DOCUMENT.  |  | DWN              | Tyco Electronics Corporation<br>Taipei, Taiwan                            |           |            |               |
| DIMENSIONS: MM<br>  |  | CHK              |   |           |            |               |
| TOLERANCES UNLESS OTHERWISE SPECIFIED:<br>0 PLC ± -<br>1 PLC ± -<br>2 PLC ± -<br>3 PLC ± -<br>4 PLC ± -<br>ANGLES ± - |  | APVD             | NAME  |           |            |               |
| MATERIAL  |  | PRODUCT SPEC     | MODULAR JACK RJ45, STACKED, MULTI-PORT, SHIELDED, THRU-HOLE, PANEL GROUND |           |            |               |
| FINISH  |  | APPLICATION SPEC | SIZE  | CAGE CODE | DRAWING NO | RESTRICTED TO |
|   |  | WEIGHT           | A3  | 00779     | C=1734473  | -             |
| CUSTOMER DRAWING  |  |                  | SCALE   | SHEET     | REV        |               |
|   |  |                  | -   | 4 OF 5    | B2         |               |

THIS DRAWING IS UNPUBLISHED. RELEASED FOR PUBLICATION  
 © COPYRIGHT BY TYCO ELECTRONICS CORPORATION. ALL RIGHTS RESERVED.

| LOC | DIST | REVISIONS    |      |     |      |
|-----|------|--------------|------|-----|------|
| P   | LTR  | DESCRIPTION  | DATE | DWN | APVD |
|     |      | SEE SHEET 1. |      |     |      |



| GROSS WEIGHT | NET WEIGHT | PCS/TRAY | TRAYS / CARTON | QUANTITY | PART NUMBER |
|--------------|------------|----------|----------------|----------|-------------|
| 18 Kg        | 16.5 Kg    | 20       | 6              | 240 PCS  | 7-1734473-X |
| 18 Kg        | 16.5 Kg    | 15       | 6              | 180 PCS  | 2-1734473-X |

|  |  |                  |  |            |               |   |  |  |
|--|--|------------------|--|------------|---------------|---|--|--|
| THIS DRAWING IS A CONTROLLED DOCUMENT.   |  | DWN              | Tyco Electronics Corporation<br>Taipei, Taiwan |            |               |   |  |  |
| DIMENSIONS: MM   |  | CHK              |  |            |               | NAME  |  |  |
|  |  | APVD             |  |            |               | MODULAR JACK RJ45, STACKED, MULTI-PORT, SHIELDED, THRU-HOLE, PANEL GROUND |  |  |
| TOLERANCES UNLESS OTHERWISE SPECIFIED:<br>0 PLC ± -<br>1 PLC ± -<br>2 PLC ± -<br>3 PLC ± -<br>4 PLC ± -<br>ANGLES ± -<br>MATERIAL FINISH |  | PRODUCT SPEC     |  |            |               | SIZE  |  |  |
|  |  | APPLICATION SPEC | CAGE CODE                                      | DRAWING NO | RESTRICTED TO |   |  |  |
|  |  | WEIGHT           | A3 00779 C=1734473                             |            |               |   |  |  |
| CUSTOMER DRAWING   |  |                  | SCALE  | SHEET      | REV           |   |  |  |

|              |  |            |  |          |                |          |             |
|--------------|--|------------|--|----------|----------------|----------|-------------|
| GROSS WEIGHT |  | NET WEIGHT |  | PCS/TRAY | TRAYS / CARTON | QUANTITY | PART NUMBER |
| 18 Kg        |  | 16.5 Kg    |  | 20       | 6              | 240 PCS  | 7-1734473-X |
| 18 Kg        |  | 16.5 Kg    |  | 15       | 6              | 180 PCS  | 2-1734473-X |
| GROSS WEIGHT |  | NET WEIGHT |  | PCS/TRAY | TRAYS / CARTON | QUANTITY | PART NUMBER |
| 18 Kg        |  | 16.5 Kg    |  | 20       | 6              | 240 PCS  | 7-1734473-X |
| 18 Kg        |  | 16.5 Kg    |  | 15       | 6              | 180 PCS  | 2-1734473-X |

Компания «Life Electronics» занимается поставками электронных компонентов импортного и отечественного производства от производителей и со складов крупных дистрибьюторов Европы, Америки и Азии.

С конца 2013 года компания активно расширяет линейку поставок компонентов по направлению коаксиальный кабель, кварцевые генераторы и конденсаторы (керамические, пленочные, электролитические), за счёт заключения дистрибьюторских договоров

Мы предлагаем:

- Конкурентоспособные цены и скидки постоянным клиентам.
- Специальные условия для постоянных клиентов.
- Подбор аналогов.
- Поставку компонентов в любых объемах, удовлетворяющих вашим потребностям.
- Приемлемые сроки поставки, возможна ускоренная поставка.
- Доставку товара в любую точку России и стран СНГ.
- Комплексную поставку.
- Работу по проектам и поставку образцов.
- Формирование склада под заказчика.
- Сертификаты соответствия на поставляемую продукцию (по желанию клиента).
- Тестирование поставляемой продукции.
- Поставку компонентов, требующих военную и космическую приемку.
- Входной контроль качества.
- Наличие сертификата ISO.

В составе нашей компании организован Конструкторский отдел, призванный помогать разработчикам, и инженерам.

Конструкторский отдел помогает осуществить:

- Регистрацию проекта у производителя компонентов.
- Техническую поддержку проекта.
- Защиту от снятия компонента с производства.
- Оценку стоимости проекта по компонентам.
- Изготовление тестовой платы монтаж и пусконаладочные работы.



Тел: +7 (812) 336 43 04 (многоканальный)

Email: [org@lifeelectronics.ru](mailto:org@lifeelectronics.ru)