

| SIGN | DATE | DESCRIPTION | APPROVER |
|------|----------|--|----------|
| △ | 12/13'12 | Change the screw plating specification | Guoxue |

THIS IS CAD DRAWING, DO NOT REVISE MANUALLY!!!



MATERIALS ELECTRICAL
 RATED VOLTAGE & CURRENT: 300 V, 15 A
 WITHSTAND VOLTAGE: AC 2000 V/Min
 INSULATION RESISTANCE: 1000 MΩ OR MORE AT DC 500 V
 OPERATING TEMPERATURE RANG: -40 °C ~ +115 °C
 SOLDEING TEMPERATURE: 250°C±10°C/5 Sec
 SCREW TORQUE VALUE: 7Lb-In
 WIRE RANGE: 22 - 12 AWG
 Safety Approval: US
 Critical dimension:

| NO: | Name | Material/ standards | Number |
|-----|------------------|--------------------------|--------|
| ① | Molded Parts: | PBT, UL 94 V-0 | 1 |
| ② | Molded Parts: | PBT, UL 94 V-0 | 1 |
| ③ | Terminals(S): | Brass 0.8t | N |
| ④ | Terminals(L): | Brass 0.8t | N |
| ⑤ | Spring Clamp(S): | PhBz 0.3t | N |
| ⑥ | Spring Clamp(L): | PhBz 0.3t | N |
| ⑦ | Terminals Screw: | Steel M3 | 2×N |
| ⑧ | Flange Screw: | Steel M3 Zinc plated | 2 |
| ⑨ | Clamp Nut: | Brass 0.8t | 2×N |
| ⑩ | Cushion: | Steel 0.4t Nickel plated | 4 |
| ⑪ | Locking: | Steel 0.4t Nickel plated | 2 |
| ⑫ | Flange Nut: | Brass M3 | 2 |
| ⑬ | Cover: | PC | 1 |



N = Number of poles
 Dim A (N-1)×7.62+17.59
 Dim B (N-1)×7.62

| Poles | Dim A | Dim B |
|-------------|-------|-------|
| 2×10P-2×12P | ±0.40 | ±0.40 |
| 2×13P-2×16P | ±0.50 | ±0.50 |
| 2×17P-2×21P | ±0.60 | ±0.60 |

YK 661 xx 1 x x 0 x G

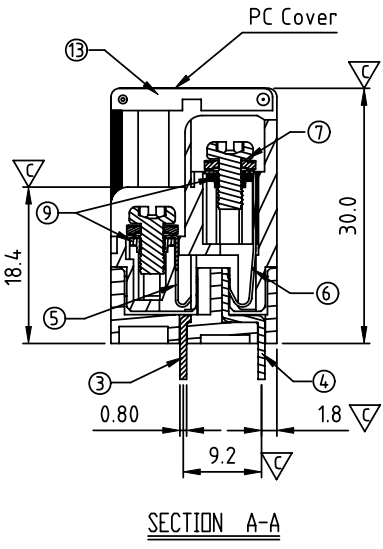
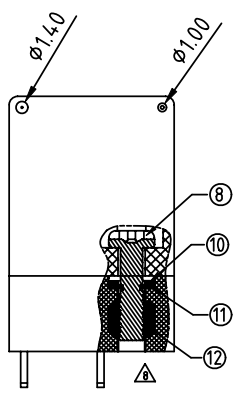
RoHS compliant (lead<4%)
 In copper Alloy
 0: GREY (RAL7038)
 1: BLACK (RAL9005)

MARK
 0: "@ " MARK
 1: "ANY " MARK

NO. OF POLES
 20: 2×10 POLES
 22: 2×11 POLES
 42: 2×21 POLES

TERMINAL & SCREW PLATED
 0: TERMINAL & SCREW: G/F
 △1: TERMINAL: G/F, SCREW: ZINC

| | | | | | |
|---|--|----------------------|----------------------|----------------------|--|
| ANYTEK | | | | CUSTOMER COPY | |
| ALL RIGHTS RESERVED. REPRODUCTION OR ISSUE TO THIRD PARTIES IN ANY FORM WHATSOEVER IS NOT PERMITTED WITHOUT WRITTEN AUTHORITY FROM THE PROPRIETOR. PROPERTY OF ANYTEK TECHNOLOGY CO., LTD | | | | | |
| TITLE | YK-661 Series With flange & With cover (2×10p ~ 2×21p) | | | | |
| PART NO. | YK661xx1xx0xG | DWG NO. | 8YK0004-661 | | |
| APPROVED | CHECKED | DESIGNED | DRAWN | CUST NO. | Tolerance |
| | | Guoxue 2012.12.13 | Guoxue 2012.12.13 | | X. ±0.50 X.X ±0.30 X.XX ±0.10 X° ±1° |
| | | | | | UNIT: mm SCALE: NONE SHEET: 01/01 REV.: C |



| SIGN | DATE | DESCRIPTION | APPROVER |
|------|----------|---|----------|
| △ | 11/12'07 | PCB Layout changed | Tony |
| △ | 5/20'09 | Temperature changed from -40°C-105°C to -40°C-115°C | Eris |
| △ | 5/20'09 | Screw torque value changed from 8Kgf.cm to 7 lb-In | Eris |
| △ | 5/20'09 | wire range changed from 22-14 AWG to 22-12 AWG | Eris |
| △ | 6/29'09 | Part NO is Changed | Aaron |
| △ | 7/06'09 | Add cULus | Aaron |
| △ | 5/27'10 | The design & Flange Nut is changed | Chen Bo |
| △ | 7/05'11 | It is changed to insert molding here. | Chen Bo |
| △ | 10/21'11 | Add the Soldering temperature | Chen Bo |
| △ | 05/15'12 | The number of poles is changed | Guoxue |
| △ | 12/13'12 | Change the screw plating specification | Guoxue |

THIS IS CAD DRAWING, DO NOT REVISE MANUALLY!!!

MATERIALS ELECTRICAL
RATED VOLTAGE & CURRENT: 300 V, 15 A
WITHSTAND VOLTAGE: AC 2000 V/Min
INSULATION RESISTANCE: 1000 MΩ OR MORE AT DC 500 V
△ OPERATING TEMPERATURE RANG: -40 °C ~ +115 °C
△ SOLDEING TEMPERATURE: 250°C±10°C/5 Sec
△ SCREW TORQUE VALUE: 7Lb-In
△ WIRE RANGE: 22 - 12 AWG
△ Safety Approval: US
Critical dimension:

| NO: | Name | Material | Number |
|-----|------------------|--------------------------|--------|
| ① | Molded Parts: | PBT, UL 94 V-0 | 1 |
| ② | Molded Parts: | PBT, UL 94 V-0 | 1 |
| ③ | Terminals(S): | Brass 0.8t | N |
| ④ | Terminals(L): | Brass 0.8t | N |
| ⑤ | Spring Clamp(S): | PhBz 0.3t | N |
| ⑥ | Spring Clamp(L): | PhBz 0.3t | N |
| ⑦ | Terminals Screw: | Steel M3 | 2×N |
| ⑧ | Flange Screw: | Steel M3 Zinc plated | 2 |
| ⑨ | Clamp Nut: | Brass 0.8t | 2×N |
| ⑩ | Cushion: | Steel 0.4t Nickel plated | 4 |
| ⑪ | Locking: | Steel 0.4t Nickel plated | 2 |
| ⑫ | Flange Nut: | Brass M3 | 2 |
| ⑬ | Cover: | PC | 1 |

N = Number of poles

Dim A (N-1)×7.62+17.59

Dim B (N-1)×7.62

| POLES | Dim A | Dim B |
|-----------|-------|-------|
| 2×2P-2×4P | ±0.20 | ±0.20 |
| 2×5P-2×8P | ±0.30 | ±0.30 |
| 2×9P | ±0.40 | ±0.40 |

YK 661 xx 1 x x 0 x G

RoHS compliant (lead<4%)
In copper Alloy

0: GREY (RAL7038)
1: BLACK (RAL9005)

MARK
0: "@" MARK
1: "ANY" MARK

NO. OF POLES
04: 2×2 POLES
06: 2×3 POLES
18: 2×9 POLES

TERMINAL & SCREW PLATED
0: TERMINAL & SCREW: G/F
1: TERMINAL: G/F, SCREW: ZINC
2: TERMINAL: Sn, SCREW: G/F
3: TERMINAL: Sn, SCREW: ZINC

ANYTEK

CUSTOMER COPY

ALL RIGHTS RESERVED. REPRODUCTION OR ISSUE TO THIRD PARTIES IN ANY FORM WHATSOEVER IS NOT PERMITTED WITHOUT WRITTEN AUTHORITY FROM THE PROPRIETOR. PROPERTY OF ANYTEK TECHNOLOGY CO., LTD

| TITLE | | YK-661 Series With flange & With cover (2p×2p ~ 2×9p) | | | |
|----------|---------------|---|----------------------|--------------|---|
| PART NO. | YK661xx1xx0xG | DWG NO. | 8YK0001-661 | | |
| APPROVED | CHECKED | DESIGNED | DRAWN | CUST NO. | Tolerance |
| | | Guoxue 2012.12.13 | Guoxue 2012.12.13 | | X. ±0.50 X.X ±0.30 X.XX ±0.10 X° ±1° |
| | | | | SHEET: 01/01 | UNIT: mm SCALE: NONE REV.: I |

Компания «Life Electronics» занимается поставками электронных компонентов импортного и отечественного производства от производителей и со складов крупных дистрибьюторов Европы, Америки и Азии.

С конца 2013 года компания активно расширяет линейку поставок компонентов по направлению коаксиальный кабель, кварцевые генераторы и конденсаторы (керамические, пленочные, электролитические), за счёт заключения дистрибьюторских договоров

Мы предлагаем:

- Конкуренспособные цены и скидки постоянным клиентам.
- Специальные условия для постоянных клиентов.
- Подбор аналогов.
- Поставку компонентов в любых объемах, удовлетворяющих вашим потребностям.
- Приемлемые сроки поставки, возможна ускоренная поставка.
- Доставку товара в любую точку России и стран СНГ.
- Комплексную поставку.
- Работу по проектам и поставку образцов.
- Формирование склада под заказчика.
- Сертификаты соответствия на поставляемую продукцию (по желанию клиента).
- Тестирование поставляемой продукции.
- Поставку компонентов, требующих военную и космическую приемку.
- Входной контроль качества.
- Наличие сертификата ISO.

В составе нашей компании организован Конструкторский отдел, призванный помогать разработчикам, и инженерам.

Конструкторский отдел помогает осуществить:

- Регистрацию проекта у производителя компонентов.
- Техническую поддержку проекта.
- Защиту от снятия компонента с производства.
- Оценку стоимости проекта по компонентам.
- Изготовление тестовой платы монтаж и пусконаладочные работы.



Тел: +7 (812) 336 43 04 (многоканальный)
Email: org@lifeelectronics.ru