



## 4-PLL ANY-FREQUENCY PRECISION CLOCK MULTIPLIER/JITTER ATTENUATOR

### Features

- Highly-integrated, 4 PLL clock multiplier/jitter attenuator
- Four independent DSPLLs support any-frequency synthesis and jitter attenuation
- 8 inputs/8 outputs
- Each DSPLL can generate any frequency from 2 kHz to 808 MHz from a 2 kHz to 710 MHz input
- Ultra-low jitter clock outputs: 350 fs rms (12 kHz–20 MHz) and 410 fs rms (50 kHz–80 MHz) typical
- Meets ITU-T G.8251 and Telcordia GR-253-CORE OC-192 jitter specifications
- Supports all ITU G.709 and any custom FEC ratios (239/237, 255/238, 255/237, 255/236, 253/226)
- Integrated loop filter with programmable bandwidth
- Simultaneous free-run and synchronous operation
- Automatic/manual hitless input clock switching
- Selectable output clock signal format (LVPECL, LVDS, CML, CMOS)
- LOL and interrupt alarm outputs
- I<sup>2</sup>C programmable
- Single 1.8 V  $\pm$ 5% or 2.5 V  $\pm$ 10% operation with high PSRR on-chip voltage regulator
- 10x10 mm PBGA



### Applications

- High-density, any-port, any-protocol, any-frequency line cards
- ITU-T G.709 OTN custom FEC
- 10/40/100G
- OC-48/192, STM-16/64
- 1/2/4/8/10G Fibre Channel
- GbE/10 GbE Synchronous Ethernet
- Carrier Ethernet, multi-service switches and routers
- MSPP, ROADM, P-OTS, muxponders

### Description

The Si5374 is a highly-integrated, 4-PLL, jitter-attenuating precision clock multiplier for applications requiring sub-1 ps jitter performance. Each of the DSPLL<sup>®</sup> clock multiplier engines accepts two input clocks ranging from 2 kHz to 710 MHz and generates two independent synchronous output clocks ranging from 2 kHz to 808 MHz. The device provides virtually any frequency translation combination across this operating range. For asynchronous, free-running clock generation applications, the Si5374's reference oscillator can be used as a clock source for any of the four DSPLLs. The Si5374 input clock frequency and clock multiplication ratio are programmable through an I<sup>2</sup>C interface. The Si5374 is based on Silicon Laboratories' third-generation DSPLL<sup>®</sup> technology, which provides any-frequency synthesis and jitter attenuation in a highly-integrated PLL solution that eliminates the need for external VCXO and loop filter components. Each DSPLL loop bandwidth is digitally-programmable, providing jitter performance optimization at the application level. The device operates from a single 1.8 or 2.5 V supply with on-chip voltage regulators with excellent PSRR. The Si5374 is ideal for providing clock multiplication and jitter attenuation in high-port-count optical line cards requiring independent timing domains.

## Functional Block Diagram



---

**TABLE OF CONTENTS**


---

| <b><u>Section</u></b>                                       | <b><u>Page</u></b> |
|---|--------------------|
| <b>1. Electrical Specifications</b> .....                   | <b>4</b>           |
| <b>2. Typical Application Schematic</b> .....               | <b>13</b>          |
| <b>3. Typical Phase Noise Plot</b> .....                    | <b>14</b>          |
| <b>4. Functional Description</b> .....                      | <b>15</b>          |
| <b>5. Si5374 Application Examples and Suggestions</b> ..... | <b>17</b>          |
| 5.1. Schematic and PCB Layout .....                         | 17                 |
| 5.2. Thermal Considerations .....                           | 17                 |
| 5.3. SCL Leakage .....                                      | 17                 |
| 5.4. RSTL_x Pins .....                                      | 17                 |
| 5.5. Reference Oscillator Selection .....                   | 17                 |
| 5.6. Alarms .....   | 18                 |
| 5.7. OSC_P and OSC_N Connection .....                       | 19                 |
| <b>6. Register Map</b> .....                                | <b>20</b>          |
| <b>7. Register Descriptions</b> .....                       | <b>22</b>          |
| 7.1. ICAL .....   | 56                 |
| <b>8. Pin Descriptions: Si5374</b> .....                    | <b>58</b>          |
| <b>9. Ordering Guide</b> .....                              | <b>63</b>          |
| <b>10. Package Outline</b> .....                            | <b>64</b>          |
| <b>11. Recommended PCB Layout</b> .....                     | <b>65</b>          |
| <b>12. Top Markings</b> .....                               | <b>66</b>          |
| 12.1. Si5374 Top Marking (PBGA, Lead-Free) .....            | 66                 |
| 12.2. Top Marking Explanation (PBGA, Lead-Free) .....       | 66                 |
| 12.3. Si5374 Top Marking (PBGA, Lead-Finish) .....          | 67                 |
| 12.4. Top Marking Explanation (PBGA, Lead-Finish) .....     | 67                 |
| <b>Document Change List</b> .....                           | <b>68</b>          |
| <b>Contact Information</b> .....                            | <b>69</b>          |

## 1. Electrical Specifications

**Table 1. Recommended Operating Conditions**

| Parameter                              | Symbol   | Test Condition | Min  | Typ | Max  | Unit |
|--|----------|----------------|------|-----|------|------|
| Ambient Temperature                    | $T_A$    |                | -40  | 25  | 85   | °C   |
| Supply Voltage during Normal Operation | $V_{DD}$ | 2.5 V Nominal  | 2.25 | 2.5 | 2.75 | V    |
|  |          | 1.8 V Nominal  | 1.71 | 1.8 | 1.89 | V    |

**Note:** All minimum and maximum specifications are guaranteed and apply across the recommended operating conditions. Typical values apply at nominal supply voltages and an operating temperature of 25 °C unless otherwise stated.



**Figure 1. Differential Voltage Characteristics**



**Figure 2. Rise/Fall Time Characteristics**

**Table 2. DC Characteristics** $(V_{DD} = 1.8 \pm 5\%, 2.5 \pm 10\%, T_A = -40 \text{ to } 85 \text{ }^\circ\text{C})$ 

| Parameter  | Symbol      | Test Condition  | Min             | Typ  | Max             | Unit       |
|--|-------------|---|-----------------|------|-----------------|------------|
| Supply Current <sup>1</sup>  | $I_{DD}$    | LVPECL Format<br>622.08 MHz Out<br>All CKOUTs Enabled | —               | 1000 | 1100            | mA         |
|  |             | LVPECL Format<br>622.08 MHz Out<br>4 CKOUTs Enabled   | —               | 870  | 970             | mA         |
|  |             | CMOS Format<br>19.44 MHz Out<br>All CKOUTs Enabled    | —               | 820  | 940             | mA         |
|  |             | CMOS Format<br>19.44 MHz Out<br>4 CKOUTs Enabled      | —               | 780  | 880             | mA         |
|  |             | Disable Mode  | —               | 660  | —               | mA         |
| <b>CKINn Input Pins<sup>2</sup></b>  |             |   |                 |      |                 |            |
| Input Common Mode Voltage (Input Threshold Voltage)                                | $V_{ICM}$   | 1.8 V $\pm$ 5%  | 0.9             | —    | 1.4             | V          |
|  |             | 2.5 V $\pm$ 10%                                       | 1               | —    | 1.7             | V          |
| Input Resistance   | $CKN_{RIN}$ | Single-ended  | 20              | 40   | 60              | k $\Omega$ |
| Single-Ended Input Voltage Swing (See Absolute Specs)                              | $V_{ISE}$   | $f_{CKIN} < 212.5 \text{ MHz}$<br>See Figure 1.       | 0.2             | —    | —               | $V_{PP}$   |
|  |             | $f_{CKIN} > 212.5 \text{ MHz}$<br>See Figure 1.       | 0.25            | —    | —               | $V_{PP}$   |
| Differential Input Voltage Swing (See Absolute Specs)                              | $V_{ID}$    | $f_{CKIN} < 212.5 \text{ MHz}$<br>See Figure 1.       | 0.2             | —    | —               | $V_{PP}$   |
|  |             | $f_{CKIN} > 212.5 \text{ MHz}$<br>See Figure 1.       | 0.25            | —    | —               | $V_{PP}$   |
| <b>Output Clocks (CKOUTn)<sup>3,4</sup></b>  |             |   |                 |      |                 |            |
| Common Mode  | $CKO_{VCM}$ | LVPECL 100 $\Omega$ load<br>line-to-line              | $V_{DD} - 1.42$ | —    | $V_{DD} - 1.25$ | V          |
| Differential Output Swing  | $CKO_{VD}$  | LVPECL 100 $\Omega$ load<br>line-to-line              | 1.1             | —    | 1.9             | $V_{PP}$   |
| <b>Notes:</b>  |             |   |                 |      |                 |            |
| 1. Current draw is independent of supply voltage.                                  |             |   |                 |      |                 |            |
| 2. No under- or overshoot is allowed.  |             |   |                 |      |                 |            |
| 3. LVPECL outputs require nominal $V_{DD} = 2.5 \text{ V}$ .                       |             |   |                 |      |                 |            |
| 4. LVPECL, CML, LVDS and low-swing LVDS measured with $F_o = 622.08 \text{ MHz}$ . |             |   |                 |      |                 |            |

**Table 2. DC Characteristics (Continued)** $(V_{DD} = 1.8 \pm 5\%, 2.5 \pm 10\%, T_A = -40 \text{ to } 85 \text{ }^\circ\text{C})$ 

| Parameter  | Symbol        | Test Condition                                   | Min                 | Typ           | Max   | Unit      |
|--|---------------|--|---------------------|---------------|-------|-----------|
| Single Ended Output Swing  | $CKO_{VSE}$   | LVPECL 100 $\Omega$ load<br>line-to-line         | 0.5                 | —             | 0.93  | $V_{PP}$  |
| Differential Output Voltage  | $CKO_{VD}$    | CML 100 $\Omega$ load<br>line-to-line            | 350                 | 425           | 500   | $mV_{PP}$ |
| Common Mode Output Voltage   | $CKO_{VCM}$   | CML 100 $\Omega$ load<br>line-to-line            | —                   | $V_{DD}-0.36$ | —     | V         |
| Differential Output Voltage  | $CKO_{VD}$    | LVDS<br>100 $\Omega$ load line-to-line           | 500                 | 700           | 900   | $mV_{PP}$ |
|  |               | Low Swing LVDS<br>100 $\Omega$ load line-to-line | 350                 | 425           | 500   | $mV_{PP}$ |
| Common Mode Output Voltage   | $CKO_{VCM}$   | LVDS 100 $\Omega$ load<br>line-to-line           | 1.125               | 1.2           | 1.275 | V         |
| Differential Output Resistance   | $CKO_{RD}$    | CML, LVPECL, LVDS                                | —                   | 200           | —     | $\Omega$  |
| Output Voltage Low   | $CKO_{VOLLH}$ | CMOS   | —                   | —             | 0.4   | V         |
| Output Voltage High  | $CKO_{VOHLH}$ | $V_{DD} = 1.71 \text{ V}$<br>CMOS                | $0.8 \times V_{DD}$ | —             | —     | V         |
| Output Drive Current<br>(CMOS driving into<br>$CKO_{VOL}$ for output low<br>or $CKO_{VOH}$ for output<br>high. $CKOUT+$ and<br>$CKOUT-$ shorted<br>externally) | $CKO_{IO}$    | ICMOS[1:0] = 11<br>$V_{DD} = 1.8 \text{ V}$      | —                   | 7.5           | —     | mA        |
|  |               | ICMOS[1:0] = 10<br>$V_{DD} = 1.8 \text{ V}$      | —                   | 5.5           | —     | mA        |
|  |               | ICMOS[1:0] = 01<br>$V_{DD} = 1.8 \text{ V}$      | —                   | 3.5           | —     | mA        |
|  |               | ICMOS[1:0] = 00<br>$V_{DD} = 1.8 \text{ V}$      | —                   | 1.75          | —     | mA        |
|  |               | ICMOS[1:0] = 11<br>$V_{DD} = 2.5 \text{ V}$      | —                   | 20            | —     | mA        |
|  |               | ICMOS[1:0] = 10<br>$V_{DD} = 2.5 \text{ V}$      | —                   | 15            | —     | mA        |
|  |               | ICMOS[1:0] = 01<br>$V_{DD} = 2.5 \text{ V}$      | —                   | 10            | —     | mA        |
|  |               | ICMOS[1:0] = 00<br>$V_{DD} = 2.5 \text{ V}$      | —                   | 5             | —     | mA        |

**Notes:**

1. Current draw is independent of supply voltage.
2. No under- or overshoot is allowed.
3. LVPECL outputs require nominal  $V_{DD} = 2.5 \text{ V}$ .
4. LVPECL, CML, LVDS and low-swing LVDS measured with  $F_o = 622.08 \text{ MHz}$ .

**Table 2. DC Characteristics (Continued)** $(V_{DD} = 1.8 \pm 5\%, 2.5 \pm 10\%, T_A = -40 \text{ to } 85 \text{ }^\circ\text{C})$ 

| Parameter  | Symbol   | Test Condition                                     | Min            | Typ | Max | Unit |
|--|----------|--|----------------|-----|-----|------|
| <b>2-Level LVCMOS Input Pins</b>   |          |  |                |     |     |      |
| Input Voltage Low  | $V_{IL}$ | $V_{DD} = 1.71 \text{ V}$                          | —              | —   | 0.5 | V    |
|  |          | $V_{DD} = 2.25 \text{ V}$                          | —              | —   | 0.7 | V    |
| Input Voltage High   | $V_{IH}$ | $V_{DD} = 1.89 \text{ V}$                          | 1.4            | —   | —   | V    |
|  |          | $V_{DD} = 2.25 \text{ V}$                          | 1.8            | —   | —   | V    |
| <b>LVCMOS Output Pins</b>  |          |  |                |     |     |      |
| Output Voltage Low   | $V_{OL}$ | $I_O = 2 \text{ mA}$<br>$V_{DD} = 1.71 \text{ V}$  | —              | —   | 0.4 | V    |
| Output Voltage Low   |          | $I_O = 2 \text{ mA}$<br>$V_{DD} = 2.25 \text{ V}$  | —              | —   | 0.4 | V    |
| Output Voltage High  | $V_{OH}$ | $I_O = -2 \text{ mA}$<br>$V_{DD} = 1.71 \text{ V}$ | $V_{DD} - 0.4$ | —   | —   | V    |
| Output Voltage High  |          | $I_O = -2 \text{ mA}$<br>$V_{DD} = 2.25 \text{ V}$ | $V_{DD} - 0.4$ | —   | —   | V    |
| <b>Notes:</b>  |          |  |                |     |     |      |
| 1. Current draw is independent of supply voltage.                                  |          |  |                |     |     |      |
| 2. No under- or overshoot is allowed.  |          |  |                |     |     |      |
| 3. LVPECL outputs require nominal $V_{DD} = 2.5 \text{ V}$ .                       |          |  |                |     |     |      |
| 4. LVPECL, CML, LVDS and low-swing LVDS measured with $F_o = 622.08 \text{ MHz}$ . |          |  |                |     |     |      |

**Table 3. AC Characteristics** $(V_{DD} = 1.8 \pm 5\%, 2.5 \pm 10\%, T_A = -40 \text{ to } 85 \text{ }^\circ\text{C})$ 

| Parameter   | Symbol             | Test Condition  | Min   | Typ | Max   | Unit            |
|---|--------------------|---|-------|-----|-------|-----------------|
| <b>Single-Ended Reference Clock Input Pin OSC_P (OSC_N with cap to GND)<sup>1</sup></b> |                    |   |       |     |       |                 |
| OSC_P to OSC_N Resistance   | OSC <sub>RIN</sub> | RATE_REG = 0101 or 0110, ac coupled   | —     | 100 | —     | $\Omega$        |
| Input Voltage Swing   | OSC <sub>VPP</sub> | RATE_REG = 0101 or 0110, ac coupled   | 0.5   | —   | 1.2   | V <sub>PP</sub> |
| <b>Differential Reference Clock Input Pins (OSC_P/OSC_N)<sup>1</sup></b>                |                    |   |       |     |       |                 |
| Input Voltage Swing   | OSC <sub>VPP</sub> | RATE_REG = 0101 or 0110, ac coupled   | 0.5   | —   | 2.4   | V <sub>PP</sub> |
| <b>CKINn Input Pins</b>   |                    |   |       |     |       |                 |
| Input Frequency   | CKN <sub>F</sub>   |   | 0.002 | —   | 710   | MHz             |
| Input Duty Cycle (Minimum Pulse Width)  | CKN <sub>DC</sub>  | Whichever is smaller (i.e., the 40% / 60% limitation applies only to high-frequency clocks) | 40    | —   | 60    | %               |
|   |                    |   | 2     | —   | —     | ns              |
| Input Rise/Fall Time  | CKN <sub>TRF</sub> | 20–80%<br>See Figure 2  | —     | —   | 11    | ns              |
| <b>CKOUTn Output Pins</b>   |                    |   |       |     |       |                 |
| Output Frequency (Output not configured for CMOS or Disabled)                           | CKO <sub>F</sub>   |   | 0.002 | —   | 808   | MHz             |
| Maximum Output Frequency in CMOS Format   | CKO <sub>F</sub>   |   | —     | —   | 212.5 | MHz             |
| Output Rise/Fall (20–80 %) @ 622.08 MHz output  | CKO <sub>TRF</sub> | Output not configured for CMOS or Disabled<br>See Figure 2                                  | —     | 230 | 350   | ps              |
| Output Rise/Fall (20–80%) @ 212.5 MHz output  | CKO <sub>TRF</sub> | CMOS Output<br>V <sub>DD</sub> = 1.71<br>C <sub>LOAD</sub> = 5 pF                           | —     | —   | 8     | ns              |
| Output Rise/Fall (20–80%) @ 212.5 MHz output  | CKO <sub>TRF</sub> | CMOS Output<br>V <sub>DD</sub> = 2.25<br>C <sub>LOAD</sub> = 5 pF                           | —     | —   | 2     | ns              |
| <b>Notes:</b>   |                    |   |       |     |       |                 |
| 1. A crystal may not be used in place of an oscillator.                                 |                    |   |       |     |       |                 |
| 2. Input to output skew after an ICAL is not controlled and can be any value.           |                    |   |       |     |       |                 |



**Table 3. AC Characteristics (Continued)**(V<sub>DD</sub> = 1.8 ± 5%, 2.5 ± 10%, T<sub>A</sub> = -40 to 85 °C)

| Parameter   | Symbol              | Test Condition  | Min | Typ | Max      | Unit              |
|---|---------------------|---|-----|-----|----------|-------------------|
| Output Duty Cycle Uncertainty @ 622.08 MHz                                    | CKO <sub>DC</sub>   | 100 Ω Load<br>Line-to-Line<br>Measured at 50% Point<br>(differential) | —   | —   | ±40      | ps                |
| <b>LVC MOS Input Pins</b>   |                     |   |     |     |          |                   |
| Minimum Reset Pulse Width   | t <sub>RSTMN</sub>  |   | 1   | —   | —        | μs                |
| Reset to Microprocessor Access Ready  | t <sub>READY</sub>  |   | —   | —   | 10       | ms                |
| <b>LVC MOS Output Pins</b>  |                     |   |     |     |          |                   |
| Rise/Fall Times   | t <sub>RF</sub>     | C <sub>LOAD</sub> = 20pf<br>See Figure 2                              | —   | 25  | —        | ns                |
| LOSn Trigger Window   | LOSTRIG             | From last CKINn ↑ to ↓<br>Internal detection of LOSn<br>N3 ≠ 1        | —   | —   | 4.5 x N3 | T <sub>CKIN</sub> |
| Time to Clear LOL after LOS Cleared   | t <sub>CLRLOL</sub> | ↓LOS to ↓LOL<br>Fold = Fnew<br>Stable OSC_P, OSC_N<br>reference       | —   | 10  | —        | ms                |
| <b>Notes:</b>   |                     |   |     |     |          |                   |
| 1. A crystal may not be used in place of an oscillator.                       |                     |   |     |     |          |                   |
| 2. Input to output skew after an ICAL is not controlled and can be any value. |                     |   |     |     |          |                   |

**Table 3. AC Characteristics (Continued)** $(V_{DD} = 1.8 \pm 5\%, 2.5 \pm 10\%, T_A = -40 \text{ to } 85 \text{ }^\circ\text{C})$ 

| Parameter   | Symbol     | Test Condition   | Min | Typ | Max | Unit |
|---|------------|--|-----|-----|-----|------|
| <b>Device Skew<sup>2</sup></b>  |            |  |     |     |     |      |
| Output Clock Skew   | $t_{SKEW}$ | $\uparrow$ of CKOUTn to $\uparrow$ of CKOUT_m, CKOUTn and CKOUT_m at same frequency and signal format<br>PHASEOFFSET = 0<br>CKOUT_ALWAYS_ON = 1<br>SQ_ICAL = 1 | —   | —   | 100 | ps   |
| Phase Change due to Temperature Variation                                     | $t_{TEMP}$ | Max phase changes from $-40$ to $+85 \text{ }^\circ\text{C}$   | —   | 300 | 500 | ps   |
| <b>Notes:</b>   |            |  |     |     |     |      |
| 1. A crystal may not be used in place of an oscillator.                       |            |  |     |     |     |      |
| 2. Input to output skew after an ICAL is not controlled and can be any value. |            |  |     |     |     |      |

**Table 4. Microprocessor Control** $(V_{DD} = 1.8 \pm 5\%, 2.5 \pm 10\%, T_A = -40 \text{ to } 85 \text{ }^\circ\text{C})$ 

| Parameter                                  | Symbol          | Test Condition                                   | Min                  | Typ | Max                  | Unit |
|--|-----------------|--|----------------------|-----|----------------------|------|
| <b>I<sup>2</sup>C Bus Lines (SDA, SCL)</b> |                 |  |                      |     |                      |      |
| Input Voltage Low                          | $V_{IL_{I2C}}$  |  | —                    | —   | $0.25 \times V_{DD}$ | V    |
| Input Voltage High                         | $V_{IH_{I2C}}$  |  | $0.7 \times V_{DD}$  | —   | $V_{DD}$             | V    |
| Hysteresis of Schmitt Trigger Inputs       | $V_{HYS_{I2C}}$ | $V_{DD} = 1.8 \text{ V}$                         | $0.1 \times V_{DD}$  | —   | —                    | V    |
|  |                 | $V_{DD} = 2.5$                                   | $0.05 \times V_{DD}$ | —   | —                    | V    |
| Output Voltage Low                         | $V_{OL_{I2C}}$  | $V_{DD} = 1.8 \text{ V}$<br>$I_O = 3 \text{ mA}$ | —                    | —   | $0.2 \times V_{DD}$  | V    |
|  |                 | $V_{DD} = 2.5$<br>$I_O = 3 \text{ mA}$           | —                    | —   | 0.4                  | V    |

**Table 5. Performance Specifications** $V_{DD} = 1.8\text{ V} \pm 5\%$  or  $2.5\text{ V} \pm 10\%$ ,  $T_A = -40$  to  $85\text{ }^\circ\text{C}$ 

| Parameter   | Symbol                    | Test Condition  | Min     | Typ  | Max | Unit        |
|---|---------------------------|---|---------|------|-----|-------------|
| <b>PLL Performance<sup>1</sup></b>                  |                           |   |         |      |     |             |
| Lock Time <sup>2</sup> Si5374B-A-xL <sup>3</sup>    | $t_{\text{LOCKMP}}$       | Start of ICAL to ↓ of LOL,<br>FASTLOCK enabled  | —       | 1    | 1.5 | s           |
| Si5374C-A-xL  |                           |   | —       | 0.8  | 1.0 |             |
| Settle Time <sup>2</sup> Si5374B-A-xL               | $t_{\text{SETTLE}}$       | Start of ICAL to $F_{\text{OUT}}$ within<br>5 ppm of final value  | —       | 1.2  | 1.5 | s           |
| Si5374C-A-xL  |                           |   | —       | 4.2  | 5.0 |             |
| Output Clock Phase Change                           | $t_{\text{P\_STEP}}$      | After clock switch<br>$f_3 \geq 128\text{ kHz}$   | —       | 200  | —   | ps          |
| Closed Loop Jitter Peaking                          | $J_{\text{PK}}$           |   | —       | 0.05 | 0.1 | dB          |
| Jitter Tolerance                                    | $J_{\text{TOL}}$          | Jitter Frequency $\geq$ Loop<br>Bandwidth   | 5000/BW | —    | —   | ns<br>pk-pk |
| Phase Noise<br>$f_{\text{out}} = 622.08\text{ MHz}$ | $\text{CKO}_{\text{PN}}$  | 1 kHz Offset  | —       | -106 | —   | dBc/Hz      |
|   |                           | 10 kHz Offset   | —       | -114 | —   | dBc/Hz      |
|   |                           | 100 kHz Offset  | —       | -116 | —   | dBc/Hz      |
|   |                           | 1 MHz Offset  | —       | -132 | —   | dBc/Hz      |
| Spurious Noise                                      | $\text{SP}_{\text{SPUR}}$ | Max spur @ $n \times F_3$<br>( $n \geq 1$ , $n \times F_3 < 100\text{ MHz}$ )                           | —       | -70  | —   | dBc         |
| Jitter Generation                                   | $J_{\text{GEN}}$          | $f_{\text{IN}} = f_{\text{OUT}} = 622.08\text{ MHz}$ ,<br>BW = 120 Hz<br>LVPECL output<br>12 kHz–20 MHz | —       | 350  | 410 | fs rms      |
|   |                           | 50 kHz–80 MHz   | —       | 410  | —   | fs rms      |

**Notes:**

- $f_{\text{in}} = f_{\text{out}} = 622.08\text{ MHz}$ ; BW = 7 Hz; LVDS, OSC = .121.109 MHz.
- Lock and settle time performance is dependent on the frequency plan and the OSC\_P/OSC\_N reference frequency and LOCKT setting (see application note, "AN803: Lock and Settling Time Considerations for the Si5324/27/69/74 Any-Frequency Jitter Attenuating Clock ICs". Visit the Silicon Labs Technical Support web page at: <https://www.silabs.com/support/pages/contacttechnicalsupport.aspx> to submit a technical support request regarding the lock time of your frequency plan.
- LOCKT = 3.3 ms.

**Table 6. Thermal Characteristics**<sup>1,2</sup>

| Parameter                              | Symbol      | Test Condition | Min | Typ | Max | Unit |
|--|-------------|----------------|-----|-----|-----|------|
| Maximum Junction Temperature           |             |                | —   | 125 | —   | °C   |
| Thermal Resistance Junction to Ambient | $\phi_{JA}$ | Still Air      | —   | 16  | —   | °C/W |
|  |             | Air Flow 1 m/s | —   | 14  | —   |      |
|  |             | Air Flow 2 m/s | —   | 13  | —   |      |
|  |             | Air Flow 3 m/s | —   | 12  | —   |      |
| Thermal Resistance Junction to Case    | $\phi_{JC}$ | Still Air      | —   | 3.4 | —   | °C/W |

**Notes:**

1. In most circumstances the Si5374 does not require special thermal management. A system level thermal analysis is strongly recommend. Contact Silicon Labs applications for further details if required.
2. Thermal characteristic for the 80-pin Si5374 on an 8-layer PCB.

**Table 7. Absolute Maximum Ratings**

| Parameter   | Symbol      | Value                      | Unit |
|---|-------------|----------------------------|------|
| DC Supply Voltage   | $V_{DD}$    | –0.5 to 2.8                | V    |
| LVC MOS Input Voltage   | $V_{DIG}$   | –0.3 to ( $V_{DD} + 0.3$ ) | V    |
| CLKINnP/N_q   | $CKN_{VIN}$ | 0 to $V_{DD}$              | V    |
| OSC_P, OSC_N Voltage Limits                                   | $OSC_{VIN}$ | 0 to 1.2                   | V    |
| Operating Junction Temperature                                | $T_{JCT}$   | –55 to 150                 | °C   |
| Storage Temperature Range                                     | $T_{STG}$   | –55 to 150                 | °C   |
| ESD HBM Tolerance (100 pF, 1.5 k); All pins except CKINnP/N-q |             | 2                          | kV   |
| ESD MM Tolerance; All pins except CKINnP/N_q                  |             | 200                        | V    |
| ESD HBM Tolerance (100 pF, 1.5 k); CKINnP/N_q                 |             | 700                        | V    |
| ESD MM Tolerance; CKINnP/N_q                                  |             | 125                        | V    |
| Latch-Up Tolerance  |             | JESD78 Compliant           |      |

**Note:** Permanent device damage may occur if the absolute maximum ratings are exceeded. Functional operation should be restricted to the conditions as specified in the operation sections of this data sheet. Exposure to absolute maximum rating conditions for extended periods of time may affect device reliability.

## 2. Typical Application Schematic

### 4-Port 10G Line Card with SyncE and IEEE1588 Independent Port Timing



## 3. Typical Phase Noise Plot

- 19.44 MHz input
- 698.8123 MHz OTU4 output
- 334 fs RMS jitter (12 kHz to 20 MHz)



Figure 3. Typical Phase Noise Plot

## 4. Functional Description

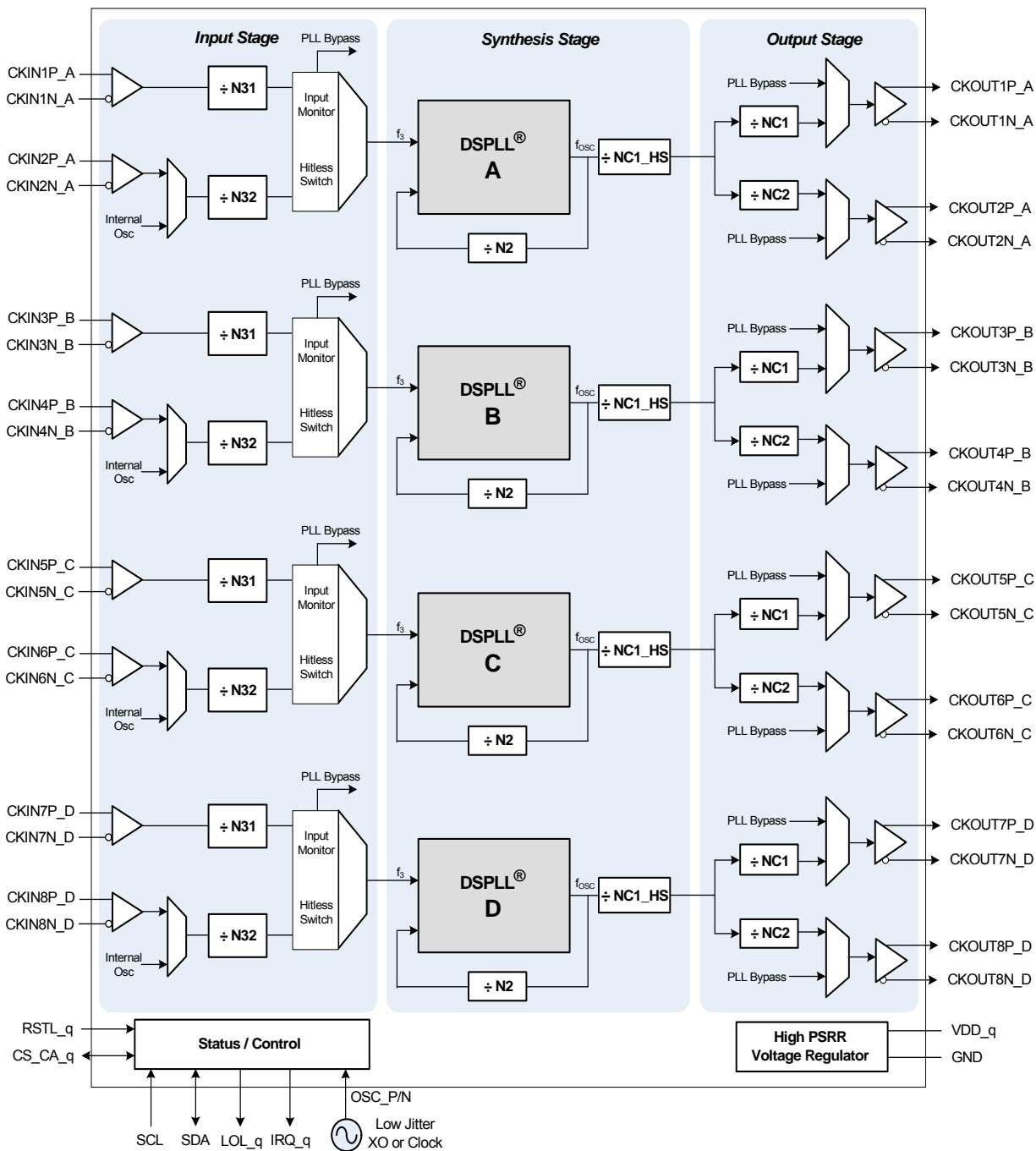


Figure 4. Functional Block Diagram

# Si5374

---

The Si5374 is a highly integrated jitter-attenuating clock multiplier that integrates four fully independent DSPLLs and provides ultra-low jitter generation with less than 410 fs RMS. Configuration and control of the Si5374 is mainly handled through the I<sup>2</sup>C interface. The device accepts clock inputs ranging from 2 kHz to 710 MHz and generates independent, synchronous clock outputs ranging from 2 kHz to 808 MHz for each DSPLL. Virtually any frequency translation (M/N) combination across its operating range is supported. The Si5374 supports a digitally programmable loop bandwidth that can range from 4 to 525 Hz requiring no external loop filter components. An external single-ended or differential reference clock or XO is required for the device to enable ultra-low jitter generation and jitter attenuation.

The device monitors each input clock for loss-of-signal (LOS) and provides a LOS alarm when missing pulses on any of the input clocks are detected. The device monitors the lock status of each DSPLL and provides a Loss-of-Lock (LOL) alarm when the DSPLL is unlocked. The lock detect algorithm continuously monitors the phase of the selected input clock in relation to the phase of the feedback clock. See application note, "AN803: Lock and Settling Time Considerations for the Si5324/27/69/74 Any-Frequency Jitter Attenuating Clock ICs."

The Si5374 provides a holdover capability that allows the device to continue generation of a stable output clock when the input reference is lost. The reference oscillator can be internally routed into CKIN2\_q, so free-running clock generation is supported for each DSPLL offering simultaneous synchronous and asynchronous operation.

The output drivers are configurable to support common signal formats, such as LVPECL, LVDS, CML, and CMOS loads. If the CMOS signal format is selected, each differential output buffer generates two in-phase CMOS clocks at the same frequency. For system-level debugging, a DSPLL bypass mode drives the clock output directly from the selected input clock, bypassing the internal DSPLL.

Silicon Laboratories offers a PC-based software utility, Si537xDSPLLsim that can be used to determine valid frequency plans and loop bandwidth settings to simplify device setup. Si537xDSPLLsim provides the optimum input, output, and feedback divider values for a given input frequency and clock multiplication ratio that minimizes phase noise. This utility can be downloaded from <http://www.silabs.com/timing>. For further assistance, refer to the Si53xx Any-Frequency Precision Clocks Family Reference Manual.



## 5. Si5374 Application Examples and Suggestions

### 5.1. Schematic and PCB Layout

For a typical application schematic and PCB layout, see the Si537x-EVB Evaluation Board User's Guide, which can be downloaded from [www.silabs.com/timing](http://www.silabs.com/timing).

In order to preserve the ultra low jitter of the Si5374 in applications where the four different DSPLL's are each operating at different frequency, special care and attention must be paid to the PCB layout. The following is a list of rules that should be observed:

1. The four Vdd supplies should be isolated from one another with four ferrite beads. They should be separately bypassed with capacitors that are located very close to the Si5374 device.
2. Use a solid and undisturbed ground plane for the Si5374 and all of the clock input and output return paths.
3. For applications that wish to logically connect the four RESET signals, do not tie them together underneath the BGA package. Instead connect them outside of the BGA footprint.
4. As much as is possible, do not route clock input and output signals underneath the BGA package. The clock output signals should go directly outwards from the BGA footprint.
5. Avoid placing the OSC\_P and OSC\_N signals on the same layer as the clock outputs. Add grounded guard traces surrounding the OSC\_P and OSC\_N signals.
6. Where possible, place the CKOUT and CKIN signals on separate PCB layers with a ground layer between them. The use of ground guard traces between all clock inputs and outputs is recommended.

For more information, see the Si537x-EVB Evaluation Board User's Guide and Appendix I of the Si53xx Reference Manual, Rev 0.5 or higher.

### 5.2. Thermal Considerations

The Si5374 dissipates a significant amount of heat and it is important to take this into consideration when designing the Si5374 operating environment. Among other issues, high die temperatures can result in increased jitter and decreased long term reliability. It is therefore recommended that one or more of the following occur:

1. Use a heat sink - A heat sink example is Aavid part number 375324B00035G.
2. Use a Vdd voltage of 1.8 V.
3. Limit the ambient temperature to significantly less than 85 °C.
4. Implement very good air flow.

### 5.3. SCL Leakage

When selecting pull up resistors for the two I<sup>2</sup>C signals, note that there is an internal pull down resistor of 18 k $\Omega$  from the SCL pin to ground. This comment does not apply to the SDA pin.

### 5.4. RSTL\_x Pins

It is recommended that the four RSTL\_x pins (RSTL\_A, RSTL\_B, RSTL\_C and RSTL\_D) be logically connected together such that all four DSPLLs are either in or out of reset mode. When a DSPLL is in reset mode, its VCO will not be locked to any signal and may drift across its operating range. If a drifting VCO has a frequency similar to that of an operating VCO, there could be some crosstalk between the two VCOs. To avoid this from occurring during device initialization, DSPLLsim loads each DSPLL with default Free Run frequency plans with VCO values apart from one another. If the four RSTL\_x pins are directly connected to one another, the connections should not be made directly underneath the BGA package. Instead, the connections should be made outside the package footprint.

### 5.5. Reference Oscillator Selection

Care should be taken during the selection of the external oscillator that is connected to the OSC\_P and OSC\_N pins. There is no jitter attenuation from the OSC reference inputs to the output; so, to achieve low output jitter, a low-jitter reference OSC must be used. Also, the output drift during holdover will be the same as the drift of the OSC reference. For example, a Stratum 3 application will require an OSC reference source that has Stratum 3 stability (though Stratum 3 accuracy is not required).

The OSC frequency can be any value from 109 to 125.5 MHz. See the RATE\_REG (reg 2) description. Alternately, for applications with less demanding jitter requirements, the OSC frequency can be in the range from 37 to 41 MHz. For applications that use Free Run mode, the freedom to use any OSC frequency within these bands can be used to select an OSC frequency that has an integer relationship to the desired output frequency, which will make it easier to find a high-performance frequency plan.

If Free Run is not being used, an OSC frequency that is not integer-related to the output frequency is preferred. A recommended choice for an external oscillator is the Silicon Labs 530EB121M109DG, which is a 2.5 V, LVPECL device with a temperature stability of 20 ppm. It was used to take the typical phase noise plot on page 14. For more details and a more complete discussion of these topics, see the Si53xx Reference Manual.

The very low loop BW of the Si5374 means that it can be susceptible to OSC\_P/OSC\_N reference sources

that have high wander. Experience has shown that in spite of having low jitter, some MEMS oscillators have high wander, and these devices should be avoided. Silicon Labs does not recommend using MEMS based oscillators as the Si5374 frequency reference. Contact Silicon Labs for details.

## 5.6. Alarms

To assist in the programming of the IRQ\_n pins, refer to the below diagram of the Si5374 alarm structure.

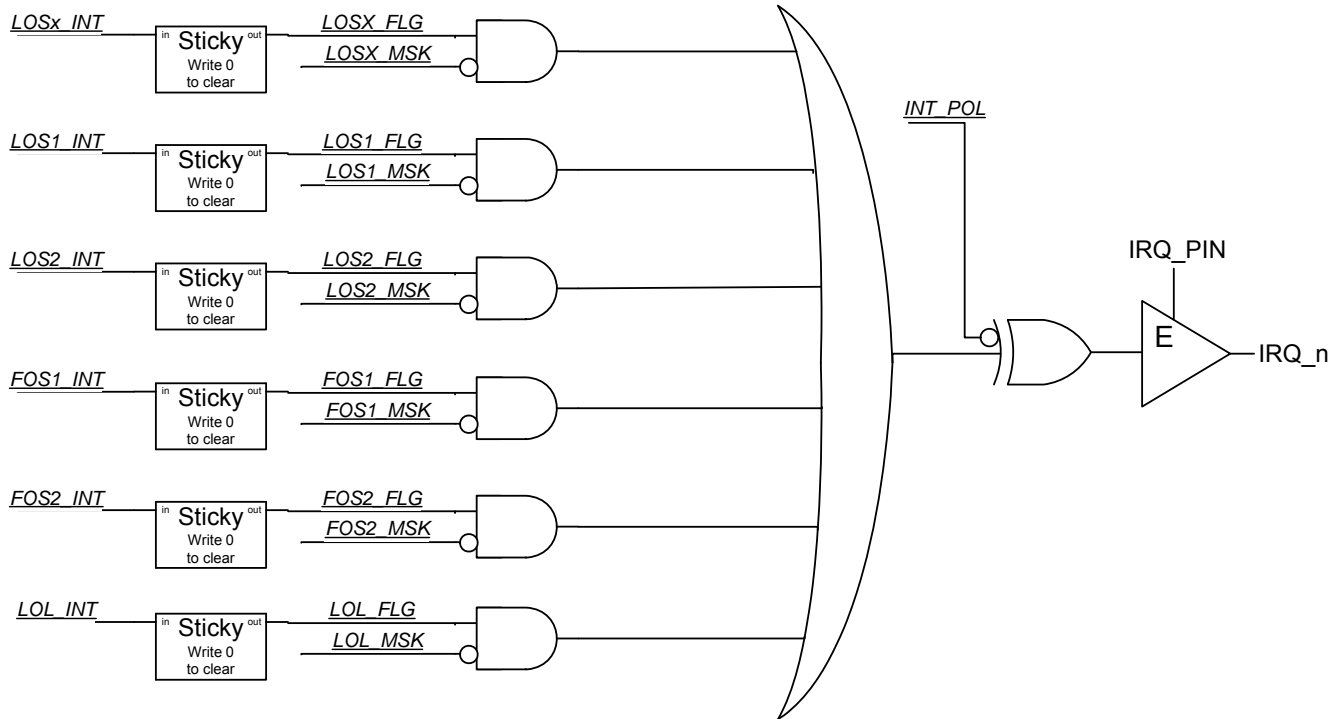


Figure 5. Si5374 Alarm Structure

## 5.7. OSC\_P and OSC\_N Connection

Figures 6, 7, and 8 show examples of connecting various OSC reference sources to the OSC\_P and

OSC\_N pins. A crystal may not be used in place of an external oscillator.

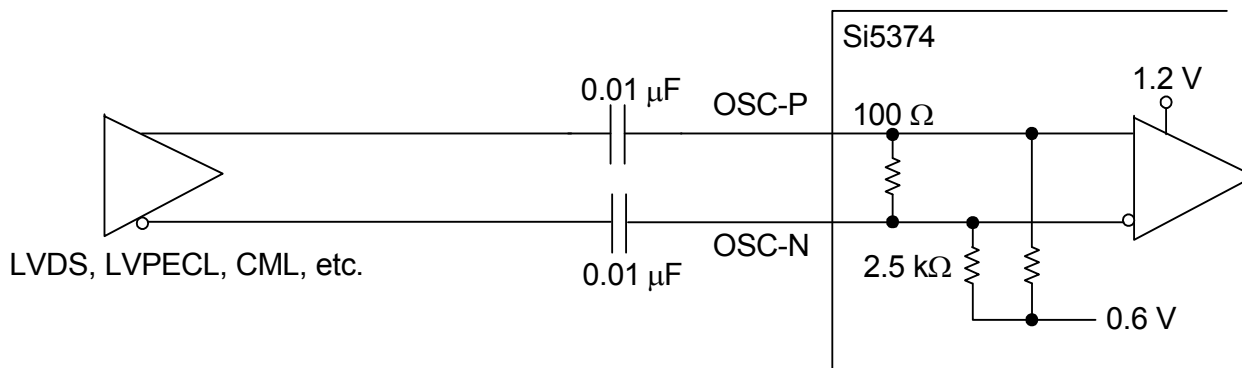


Figure 6. Differential OSC Reference Input Example for Si5374

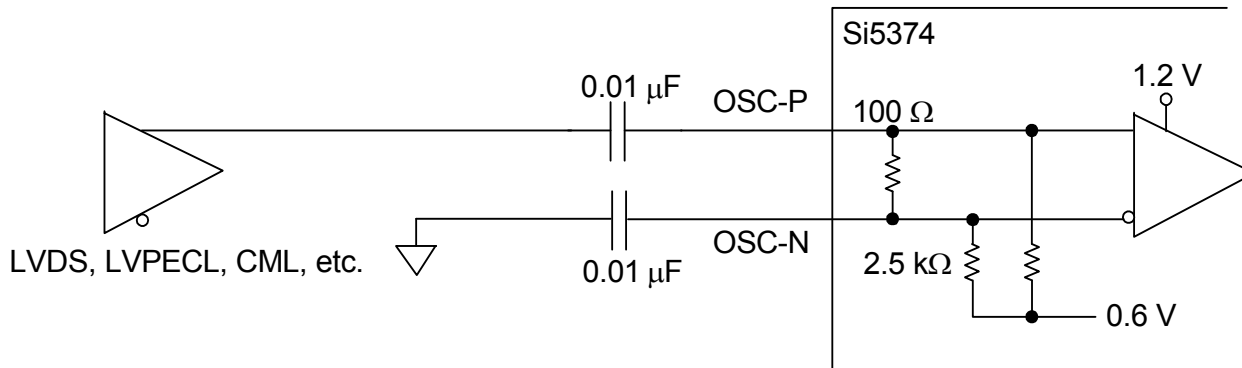


Figure 7. Single-Ended OSC Reference Input Example for Si5374

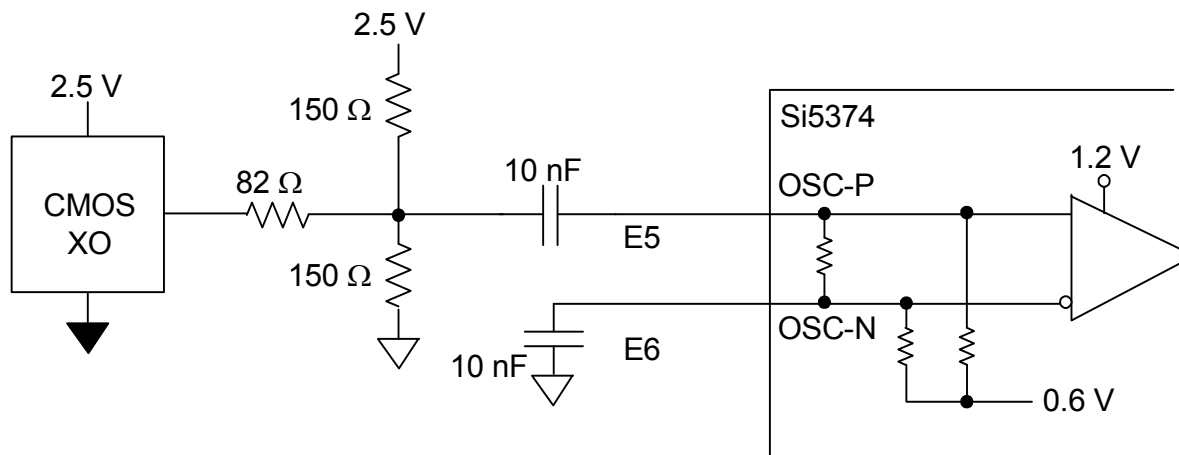


Figure 8. Single-Ended, 2.5 V, CMOS XO Connection

## 6. Register Map

The Si5374 has four identical register maps for each DSPLL. Each DSPLL has a unique I<sup>2</sup>C address enabling independent control and device configuration. The I<sup>2</sup>C address is 11010 [A1] [A0] for the entire device. Each corresponding DSPLL [A1] [A0] address is fixed as below.

|         |      |      |
|---------|------|------|
|         | [A1] | [A0] |
| DSPLLA: | 0    | 0    |
| DSPLLB: | 0    | 1    |
| DSPLLC: | 1    | 0    |
| DSPLLD: | 1    | 1    |

**Note:** The Si5374 register map is similar, but not identical, to the Si5324 device. All register bits that are not defined in this map should always be written with the specific reset values. Writing to these bits with values other than the specified reset values may result in undefined device behavior. Registers not listed, such as Register 64, should never be written to.

**Table 8. Si5374 Registers**

| Reg. | D7               | D6           | D5                  | D4            | D3              | D2              | D1                | D0        |
|------|------------------|--------------|---------------------|---------------|-----------------|-----------------|-------------------|-----------|
| 0    |                  | FREE_RU<br>N | CKOUT_<br>ALWAYS_ON |               |                 |                 | BYPASS_REG        |           |
| 1    |                  |              |                     |               | CK_PRIOR2[1:0]  |                 | CK_PRIOR1[1:0]    |           |
| 2    | BWSEL_REG[3:0]   |              |                     |               | RATE_REG [3:0]  |                 |                   |           |
| 3    | CKSEL_REG[1:0]   |              | DHOLD               | SQ_ICAL       |                 |                 |                   |           |
| 4    | AUTOSEL_REG[1:0] |              |                     | HIST_DEL[4:0] |                 |                 |                   |           |
| 5    | ICMOS[1:0]       |              |                     |               |                 |                 |                   |           |
| 6    |                  |              | SFOUT2_REG[2:0]     |               |                 | SFOUT1_REG[2:0] |                   |           |
| 7    |                  |              |                     |               |                 | FOSREFSEL[2:0]  |                   |           |
| 8    | HLOG_2[1:0]      |              | HLOG_1[1:0]         |               |                 |                 |                   |           |
| 9    | HIST_AVG[4:0]    |              |                     |               |                 |                 |                   |           |
| 10   |                  |              |                     |               | DSBL2_REG       | DSBL1_REG       |                   |           |
| 11   |                  |              |                     |               |                 |                 | PD_CK2            | PD_CK1    |
| 19   | FOS_EN           | FOS_THR[1:0] |                     | VALTIME[1:0]  |                 | LOCKT[2:0]      |                   |           |
| 20   |                  |              |                     |               | Write 0         | Write 0         | LOL_PIN           | IRQ_PIN   |
| 21   | Write 0          | Write 0      |                     |               |                 |                 | CK1_ACT-<br>V_PIN | CKSEL_PIN |
| 22   |                  |              |                     |               | CK_ACTV_<br>POL |                 | LOL_POL           | INT_POL   |
| 23   |                  |              |                     |               |                 | LOS2_MSK        | LOS1_MSK          | LOSX_MSK  |
| 24   |                  |              |                     |               |                 | FOS2_MSK        | FOS1_MSK          | LOL_MSK   |
| 25   | N1_HS[2:0]       |              |                     |               |                 |                 |                   |           |
| 31   |                  |              |                     |               | NC1_LS[19:16]   |                 |                   |           |
| 32   | NC1_LS[15:8]     |              |                     |               |                 |                 |                   |           |

Table 8. Si5374 Registers (Continued)

| Reg. | D7                    | D6   | D5           | D4           | D3              | D2 | D1            | D0            |          |
|------|-----------------------|------|--------------|--------------|-----------------|----|---------------|---------------|----------|
| 33   | NC1_LS[7:0]           |      |              |              |                 |    |               |               |          |
| 34   | NC2_LS[19:16]         |      |              |              |                 |    |               |               |          |
| 35   | NC2_LS[15:8]          |      |              |              |                 |    |               |               |          |
| 36   | NC2_LS[7:0]           |      |              |              |                 |    |               |               |          |
| 40   | N2_HS[2:0]            |      |              | N2_LS[19:16] |                 |    |               |               |          |
| 41   | N2_LS[15:8]           |      |              |              |                 |    |               |               |          |
| 42   | N2_LS[7:0]            |      |              |              |                 |    |               |               |          |
| 43   | N31[18:16]            |      |              |              |                 |    |               |               |          |
| 44   | N31[15:8]             |      |              |              |                 |    |               |               |          |
| 45   | N31[7:0]              |      |              |              |                 |    |               |               |          |
| 46   | N32[18:16]            |      |              |              |                 |    |               |               |          |
| 47   | N32[15:8]             |      |              |              |                 |    |               |               |          |
| 48   | N32[7:0]              |      |              |              |                 |    |               |               |          |
| 55   | CLKIN2RATE[2:0]       |      |              |              | CLKIN1RATE[2:0] |    |               |               |          |
| 128  |                       |      |              |              |                 |    | CK2_ACT-V_REG | CK1_ACT-V_REG |          |
| 129  |                       |      |              |              |                 |    | LOS2_INT      | LOS1_INT      | LOSX_INT |
| 130  | DIGHOLD VALID         |      |              |              |                 |    | FOS2_INT      | FOS1_INT      | LOL_INT  |
| 131  |                       |      |              |              |                 |    | LOS2_FLG      | LOS1_FLG      | LOSX_FLG |
| 132  |                       |      |              |              |                 |    | FOS2_FLG      | FOS1_FLG      | LOL_FLG  |
| 134  | PARTNUM_RO[11:4]      |      |              |              |                 |    |               |               |          |
| 135  | PARTNUM_RO[3:0]       |      |              |              | REVID_RO[3:0]   |    |               |               |          |
| 136  | RST_REG               | ICAL |              |              |                 |    |               |               |          |
| 137  | FASTLOCK              |      |              |              |                 |    |               |               |          |
| 138  |                       |      |              |              |                 |    | LOS2_EN [1:1] | LOS1_EN [1:1] |          |
| 139  |                       |      | LOS2_EN[0:0] | LOS1_EN[0:0] |                 |    |               | FOS2_EN       | FOS1_EN  |
| 142  | INDEPENDENTSKEW1[7:0] |      |              |              |                 |    |               |               |          |
| 143  | INDEPENDENTSKEW2[7:0] |      |              |              |                 |    |               |               |          |

## 7. Register Descriptions

### Register 0.

| Bit  | D7 | D6       | D5              | D4 | D3 | D2 | D1         | D0 |
|------|----|----------|-----------------|----|----|----|------------|----|
| Name |    | FREE_RUN | CKOUT_ALWAYS_ON |    |    |    | BYPASS_REG |    |
| Type | R  | R/W      | R/W             | R  | R  | R  | R/W        | R  |

Reset value = 0001 0100

| Bit | Name            | Function   |
|-----|-----------------|--|
| 7   | Reserved        | <b>Reserved.</b>   |
| 6   | FREE_RUN        | <b>Free Run.</b><br>Internal to the device, route XA/XB to CKIN2. This allows the DSPLL to lock to its XA-XB reference to support free-running clock generation.<br>0: Disable<br>1: Enable  |
| 5   | CKOUT_ALWAYS_ON | <b>CKOUT Always On.</b><br>This will bypass the SQ_ICAL function. Output will be available even if SQ_ICAL is on and ICAL is not complete or successful. See Table 9 on page 56.<br>0: Squelch output until device is calibrated (ICAL).<br>1: Provide an output.<br><b>Notes:</b><br>1. The frequency may be significantly off until the device is calibrated.<br>2. Must be set to 1 to control output to output skew. |
| 4:2 | Reserved        | <b>Reserved.</b>   |
| 1   | BYPASS_REG      | <b>Bypass Register.</b><br>This bit enables or disables PLL bypass mode. Use only when the device is in digital hold or before the first ICAL. Bypass mode does not support CMOS clock outputs.<br>0: Normal operation<br>1: Bypass mode. Selected input clock is connected to CKOUT buffers, bypassing PLL.   |
| 0   | Reserved        | <b>Reserved.</b>   |

**Register 1.**

| Bit         | D7 | D6 | D5 | D4  | D3              | D2 | D1              | D0 |
|-------------|----|----|----|-----|-----------------|----|-----------------|----|
| <b>Name</b> |    |    |    |     | CK_PRIOR2 [1:0] |    | CK_PRIOR1 [1:0] |    |
| <b>Type</b> | R  |    |    | R/W |                 |    | R/W             |    |

Reset value = 1110 0100

| Bit | Name            | Function   |
|-----|-----------------|--|
| 7:4 | Reserved        |  |
| 3:2 | CK_PRIOR2 [1:0] | <b>2nd Priority Input Clock.</b><br>Selects which of the input clocks will be 2nd priority in the autoselection state machine.<br>00: CKIN1 is 2nd priority.<br>01: CKIN2 is 2nd priority.<br>10: Reserved<br>11: Reserved |
| 1:0 | CK_PRIOR1 [1:0] | <b>1st Priority Input Clock.</b><br>Selects which of the input clocks will be 1st priority in the autoselection state machine.<br>00: CKIN1 is 1st priority.<br>01: CKIN2 is 1st priority.<br>10: Reserved<br>11: Reserved |

## Register 2.

| Bit         | D7              | D6 | D5 | D4 | D3            | D2 | D1 | D0 |
|-------------|-----------------|----|----|----|---------------|----|----|----|
| <b>Name</b> | BWSEL_REG [3:0] |    |    |    | RATE_REG[3:0] |    |    |    |
| <b>Type</b> | R/W             |    |    |    | R/W           |    |    |    |

Reset value = 0100 0010

| Bit              | Name            | Function  |         |         |                    |         |       |      |    |    |    |     |      |     |         |       |     |                  |  |  |  |  |
|------------------|-----------------|---|---------|---------|--------------------|---------|-------|------|----|----|----|-----|------|-----|---------|-------|-----|------------------|--|--|--|--|
| 7:4              | BWSEL_REG [3:0] | <p><b>BWSEL_REG.</b></p> <p>Selects nominal f3dB bandwidth for PLL. See Si53xDSPLLsim for settings. After BWSEL_REG is written with a new value, an ICAL is required for the change to take effect.</p>   |         |         |                    |         |       |      |    |    |    |     |      |     |         |       |     |                  |  |  |  |  |
| 3:0              | RATE_REG [3:0]  | <p><b>RATE Setting for Oscillator.</b></p> <p>An external oscillator or other clock source must be used. It is not possible to use just a crystal.</p> <table border="1"> <thead> <tr> <th>Setting</th> <th>Minimum</th> <th><u>Recommended</u></th> <th>Maximum</th> <th>Units</th> </tr> </thead> <tbody> <tr> <td>0101</td> <td>37</td> <td>40</td> <td>41</td> <td>MHz</td> </tr> <tr> <td>0110</td> <td>109</td> <td>121.109</td> <td>125.5</td> <td>MHz</td> </tr> <tr> <td colspan="5">Others: Reserved</td> </tr> </tbody> </table> | Setting | Minimum | <u>Recommended</u> | Maximum | Units | 0101 | 37 | 40 | 41 | MHz | 0110 | 109 | 121.109 | 125.5 | MHz | Others: Reserved |  |  |  |  |
| Setting          | Minimum         | <u>Recommended</u>  | Maximum | Units   |                    |         |       |      |    |    |    |     |      |     |         |       |     |                  |  |  |  |  |
| 0101             | 37              | 40  | 41      | MHz     |                    |         |       |      |    |    |    |     |      |     |         |       |     |                  |  |  |  |  |
| 0110             | 109             | 121.109   | 125.5   | MHz     |                    |         |       |      |    |    |    |     |      |     |         |       |     |                  |  |  |  |  |
| Others: Reserved |                 |   |         |         |                    |         |       |      |    |    |    |     |      |     |         |       |     |                  |  |  |  |  |



**Register 3.**

| Bit         | D7             | D6 | D5    | D4      | D3 | D2 | D1 | D0 |
|-------------|----------------|----|-------|---------|----|----|----|----|
| <b>Name</b> | CKSEL_REG[1:0] |    | DHOLD | SQ_ICAL |    |    |    |    |
| <b>Type</b> | R/W            |    | R/W   | R/W     | R  | R  | R  | R  |

Reset value = 0000 0101

| Bit | Name            | Function  |
|-----|-----------------|---|
| 7:6 | CKSEL_REG [1:0] | <p><b>CKSEL_REG.</b></p> <p>If the device is operating in register-based manual clock selection mode (AUTOSEL_REG = 00), and CKSEL_PIN = 0, then these bits select which input clock will be the active input clock. If CKSEL_PIN = 1 and AUTOSEL_REG = 00, the CS_CA input pin continues to control clock selection and CKSEL_REG is of no consequence.</p> <p>00: CKIN_1 selected.<br/>01: CKIN_2 selected.<br/>10: Reserved<br/>11: Reserved</p> |
| 5   | DHOLD           | <p><b>DHOLD.</b></p> <p>Forces the device into digital hold. This bit overrides all other manual and automatic clock selection controls.</p> <p>0: Normal operation.<br/>1: Force digital hold mode. Overrides all other settings and ignores the quality of the input clocks.</p>  |
| 4   | SQ_ICAL         | <p><b>SQ_ICAL.</b></p> <p>This bit determines if the output clocks will remain enabled or be squelched (disabled) during an internal calibration. See Table 9 on page 56.</p> <p>0: Output clocks enabled during ICAL.<br/>1: Output clocks disabled during ICAL.</p>   |
| 3:0 | Reserved        |   |

## Register 4.

| Bit         | D7                | D6 | D5 | D4             | D3  | D2 | D1 | D0 |
|-------------|-------------------|----|----|----------------|-----|----|----|----|
| <b>Name</b> | AUTOSEL_REG [1:0] |    |    | HIST_DEL [4:0] |     |    |    |    |
| <b>Type</b> | R/W               |    | R  |                | R/W |    |    |    |

Reset value = 0001 0010

| Bit | Name              | Function  |
|-----|-------------------|---|
| 7:6 | AUTOSEL_REG [1:0] | <b>AUTOSEL_REG [1:0].</b><br>Selects input clock selection control method.<br>00: Manual (either register or pin controlled, see CKSEL_PIN)<br>01: Automatic non-revertive<br>10: Automatic revertive<br>11: Reserved |
| 5   | Reserved          |   |
| 4:0 | HIST_DEL [4:0]    | <b>HIST_DEL [4:0].</b><br>Selects amount of delay to be used in generating the history information used for Digital Hold.   |

## Register 5.

| Bit         | D7          | D6 | D5 | D4 | D3 | D2 | D1 | D0 |
|-------------|-------------|----|----|----|----|----|----|----|
| <b>Name</b> | ICMOS [1:0] |    |    |    |    |    |    |    |
| <b>Type</b> | R/W         |    | R  | R  | R  | R  | R  | R  |

Reset value = 1110 1101

| Bit | Name        | Function   |
|-----|-------------|--|
| 7:6 | ICMOS [1:0] | <b>ICMOS [1:0].</b><br>When the output buffer is set to CMOS mode, these bits determine the output buffer drive strength. The first number below refers to 2.5 V operation; the second to 1.8 V operation. These values assume CKOUT+ is tied to CKOUT-.<br>00: 5 mA/1.75 mA<br>01: 10 mA/3.5 mA<br>10: 15 mA/5.5 mA<br>11: 20 mA/7.5 mA |
| 5:0 | Reserved    |  |

**Register 6.**

| Bit         | D7 | D6 | D5               | D4 | D3 | D2               | D1 | D0 |
|-------------|----|----|------------------|----|----|------------------|----|----|
| <b>Name</b> |    |    | SFOUT2_REG [2:0] |    |    | SFOUT1_REG [2:0] |    |    |
| <b>Type</b> | R  | R  | R/W              |    |    | R/W              |    |    |

Reset value = 0010 1101

| Bit | Name             | Function   |
|-----|------------------|--|
| 7:6 | Reserved         |  |
| 5:3 | SFOUT2_REG [2:0] | <b>SFOUT2_REG [2:0].</b><br>Controls output signal format and disable for CKOUT2 output buffer.<br>000: Reserved<br>001: Disable CKOUT2<br>010: CMOS (Bypass mode not supported)<br>011: Low swing LVDS<br>100: Reserved<br>101: LVPECL (not available when $V_{DD} = 1.8\text{ V}$ )<br>110: CML<br>111: LVDS |
| 2:0 | SFOUT1_REG [2:0] | <b>SFOUT1_REG [2:0].</b><br>Controls output signal format and disable for CKOUT1 output buffer.<br>000: Reserved<br>001: Disable CKOUT1<br>010: CMOS (Bypass mode not supported)<br>011: Low swing LVDS<br>100: Reserved<br>101: LVPECL (not available when $V_{DD} = 1.8\text{ V}$ )<br>110: CML<br>111: LVDS |

## Register 7.

| Bit  | D7 | D6 | D5 | D4 | D3 | D2              | D1 | D0 |
|------|----|----|----|----|----|-----------------|----|----|
| Name |    |    |    |    |    | FOSREFSEL [2:0] |    |    |
| Type | R  | R  | R  | R  | R  | R/W             |    |    |

Reset value = 0010 1010

| Bit | Name            | Function   |
|-----|-----------------|--|
| 7:3 | Reserved        |  |
| 2:0 | FOSREFSEL [2:0] | <b>FOSREFSEL [2:0].</b><br>Selects which input clock is used as the reference frequency for Frequency offset (FOS) monitoring.<br>000: OSC (External reference)<br>001: CKIN1<br>010: CKIN2<br>011: Reserved<br>100: Reserved<br>101: Reserved<br>110: Reserved<br>111: Reserved |

**Register 8.**

| Bit         | D7          | D6 | D5          | D4 | D3 | D2 | D1 | D0 |
|-------------|-------------|----|-------------|----|----|----|----|----|
| <b>Name</b> | HLOG_2[1:0] |    | HLOG_1[1:0] |    |    |    |    |    |
| <b>Type</b> | R/W         |    | R/W         |    | R  | R  | R  | R  |

Reset value = 0000 0000

| Bit | Name         | Function   |
|-----|--------------|--|
| 7:6 | HLOG_2 [1:0] | <b>HLOG_2 [1:0].</b><br>00: Normal operation<br>01: Holds CKOUT2 output at static logic 0.<br>Entrance and exit from this state will occur without glitches or runt pulses.<br>10: Holds CKOUT2 output at static logic 1.<br>Entrance and exit from this state will occur without glitches or runt pulses.<br>11: Reserved |
| 5:4 | HLOG_1 [1:0] | <b>HLOG_1 [1:0].</b><br>00: Normal operation<br>01: Holds CKOUT1 output at static logic 0.<br>Entrance and exit from this state will occur without glitches or runt pulses.<br>10: Holds CKOUT1 output at static logic 1.<br>Entrance and exit from this state will occur without glitches or runt pulses.<br>11: Reserved |
| 3:0 | Reserved     |  |

**Register 9.**

| Bit         | D7             | D6 | D5 | D4 | D3 | D2 | D1 | D0 |
|-------------|----------------|----|----|----|----|----|----|----|
| <b>Name</b> | HIST_AVG [4:0] |    |    |    |    |    |    |    |
| <b>Type</b> | R/W            |    |    |    |    | R  | R  | R  |

Reset value = 1100 0000

| Bit | Name           | Function  |
|-----|----------------|---|
| 7:3 | HIST_AVG [4:0] | <b>HIST_AVG [4:0].</b><br>Selects amount of averaging time to be used in generating frequency history information for Digital Hold. |
| 2:0 | Reserved       |   |

## Register 10.

| Bit  | D7 | D6 | D5 | D4 | D3        | D2        | D1 | D0 |
|------|----|----|----|----|-----------|-----------|----|----|
| Name |    |    |    |    | DSBL2_REG | DSBL1_REG |    |    |
| Type | R  | R  | R  | R  | R/W       | R/W       | R  | R  |

Reset value = 0000 0000

| Bit | Name      | Function   |
|-----|-----------|--|
| 7:4 | Reserved  |  |
| 3   | DSBL2_REG | <b>DSBL2_REG.</b><br>This bit controls the powerdown of the CKOUT2 output buffer. If disable mode is selected, the NC2 output divider is also powered down.<br>0: CKOUT2 enabled<br>1: CKOUT2 disabled |
| 2   | DSBL1_REG | <b>DSBL1_REG.</b><br>This bit controls the powerdown of the CKOUT1 output buffer. If disable mode is selected, the NC1 output divider is also powered down.<br>0: CKOUT1 enabled<br>1: CKOUT1 disabled |
| 1:0 | Reserved  |  |

## Register 11.

| Bit  | D7 | D6 | D5 | D4 | D3 | D2 | D1     | D0     |
|------|----|----|----|----|----|----|--------|--------|
| Name |    |    |    |    |    |    | PD_CK2 | PD_CK1 |
| Type | R  | R  | R  | R  | R  | R  | R/W    | R/W    |

Reset value = 0100 0000

| Bit | Name     | Function  |
|-----|----------|---|
| 7:2 | Reserved |   |
| 1   | PD_CK2   | <b>PD_CK2.</b><br>This bit controls the powerdown of the CKIN2 input buffer.<br>0: CKIN2 enabled<br>1: CKIN2 disabled |
| 0   | PD_CK1   | <b>PD_CK1.</b><br>This bit controls the powerdown of the CKIN1 input buffer.<br>0: CKIN1 enabled<br>1: CKIN1 disabled |

**Register 19.**

| Bit         | D7     | D6            | D5 | D4            | D3 | D2          | D1 | D0 |
|-------------|--------|---------------|----|---------------|----|-------------|----|----|
| <b>Name</b> | FOS_EN | FOS_THR [1:0] |    | VALTIME [1:0] |    | LOCKT [2:0] |    |    |
| <b>Type</b> | R/W    | R/W           |    | R/W           |    | R/W         |    |    |

Reset value = 0010 1100

| Bit | Name          | Function   |
|-----|---------------|--|
| 7:5 | FOS_EN        | <b>FOS_EN.</b><br>Frequency Offset Enable globally disables FOS. See the individual FOS enables (FOS-X_EN, register 139).<br>0: FOS disable<br>1: FOS enabled by FOSx_EN   |
| 6:5 | FOS_THR [1:0] | <b>FOS_THR [1:0].</b><br>Frequency Offset at which FOS is declared:<br>00: $\pm 11$ to 12 ppm (Stratum 3/3E compliant, with a Stratum 3/3E used for REFCLK.<br>01: $\pm 48$ to 49 ppm SONET Minimum Clock (SMC) with SMC used for REFCLK.<br>10: $\pm 30$ ppm (SONET Minimum Clock (SMC), with a Stratum 3/3E used for REFCLK.<br>11: $\pm 200$ ppm  |
| 4:3 | VALTIME [1:0] | <b>VALTIME [1:0].</b><br>Sets amount of time for input clock to be valid before the associated alarm is removed.<br>00: 2 ms<br>01: 100 ms<br>10: 200 ms<br>11: 13 seconds   |
| 2:0 | LOCKT [2:0]   | <b>LOCKT [2:0].</b><br>Sets retrigger interval for one shot monitoring phase detector output. One shot is triggered by phase slip in DSPLL. To minimize lock time during an ICAL, a LOCKT value of 001 is recommended. Refer to the Family Reference Manual and application note, "AN803: Lock and Settling Time Considerations for the Si5324/27/69/74 Any-Frequency Jitter Attenuating Clock ICs", for more details.<br>000: 106 ms<br>001: 53 ms<br>010: 26.5 ms<br>011: 13.3 ms<br>100: 6.6 ms<br>101: 3.3 ms<br>110: 1.66 ms<br>111: 0.833 ms |

---

**Register 20.**

---

| Bit  | D7 | D6 | D5 | D4 | D3      | D2      | D1      | D0      |
|------|----|----|----|----|---------|---------|---------|---------|
| Name |    |    |    |    | Write 0 | Write 0 | LOL_PIN | IRQ_PIN |
| Type | R  | R  | R  | R  | W       | W       | R/W     | R/W     |

Reset value = 0011 1110

| Bit | Name     | Function  |
|-----|----------|---|
| 7:4 | Reserved |   |
| 3:2 | Write 0  | <b>Write to zero.</b>   |
| 1   | LOL_PIN  | <b>LOL_PIN.</b><br>The LOL_INT status bit can be reflected on the LOL output pin.<br>0: LOL output pin tristated<br>1: LOL_INT status reflected to output pin |
| 0   | IRQ_PIN  | <b>IRQ_PIN.</b><br>Reflects interrupt status on the IRQ output pin.<br>0: Output is disabled.<br>1: Output is enabled.  |



**Register 21.**

| Bit         | D7      | D6      | D5 | D4 | D3 | D2 | D1           | D0        |
|-------------|---------|---------|----|----|----|----|--------------|-----------|
| <b>Name</b> | Write 0 | Write 0 |    |    |    |    | CK1_ACTV_PIN | CKSEL_PIN |
| <b>Type</b> | W       | W       | R  | R  | R  | R  | R/W          | R/W       |

Reset value = 1111 1111

| Bit | Name         | Function  |
|-----|--------------|---|
| 7:6 | Write 0      | <b>Write zero.</b>  |
| 5:2 | Reserved     |   |
| 1   | CK1_ACTV_PIN | <p><b>CK1_ACTV_PIN.</b></p> <p>The CK1_ACTV_REG status bit can be reflected to the CS_CA output pin using the CK1_ACTV_PIN enable function. CK1_ACTV_PIN is of consequence only when pin controlled clock selection is being used.</p> <p>0: CS_CA output pin tristated.</p> <p>1: Clock Active status reflected to output pin.</p>                         |
| 0   | CKSEL_PIN    | <p><b>CKSEL_PIN.</b></p> <p>If manual clock selection is used, clock selection can be controlled via the CKSEL_REG[1:0] register bits or the CS_CA input pin. This bit is only active when AUTOSEL_REG = Manual.</p> <p>0: CS_CA pin ignored. CKSEL_REG[1:0] register bits control clock selection.</p> <p>1: CS_CA input pin controls clock selection.</p> |

## Register 22.

| Bit  | D7 | D6 | D5 | D4 | D3          | D2 | D1      | D0      |
|------|----|----|----|----|-------------|----|---------|---------|
| Name |    |    |    |    | CK_ACTV_POL |    | LOL_POL | INT_POL |
| Type | R  | R  | R  | R  | R/W         | R  | R/W     | R/W     |

Reset value = 1101 1111

| Bit | Name        | Function  |
|-----|-------------|---|
| 7:4 | Reserved    |   |
| 3   | CK_ACTV_POL | <b>CK_ACTV_POL.</b><br>Sets the active polarity for the CS_CA signals when reflected on an output pin.<br>0: Active low<br>1: Active high         |
| 2   | Reserved    |   |
| 1   | LOL_POL     | <b>LOL_POL.</b><br>Sets the active polarity for the LOL status when reflected on an output pin.<br>0: Active low<br>1: Active high                |
| 0   | INT_POL     | <b>INT_POL.</b><br>Sets the active polarity for the interrupt status when reflected on the INT_C1B output pin.<br>0: Active low<br>1: Active high |

**Register 23.**

| Bit  | D7 | D6 | D5 | D4 | D3 | D2       | D1       | D0       |
|------|----|----|----|----|----|----------|----------|----------|
| Name |    |    |    |    |    | LOS2_MSK | LOS1_MSK | LOSX_MSK |
| Type | R  | R  | R  | R  | R  | R/W      | R/W      | R/W      |

Reset value = 0001 1111

| Bit | Name     | Function   |
|-----|----------|--|
| 7:3 | Reserved |  |
| 2   | LOS2_MSK | <p><b>LOS2_MSK.</b></p> <p>Determines if a LOS on CKIN2 (LOS2_FLG) is used in the generation of an interrupt. Writes to this register do not change the value held in the LOS2_FLG register.</p> <p>0: LOS2 alarm triggers active interrupt on IRQ output (if IRQ=1).</p> <p>1: LOS2_FLG ignored in generating interrupt output.</p> |
| 1   | LOS1_MSK | <p><b>LOS1_MSK.</b></p> <p>Determines if a LOS on CKIN1 (LOS1_FLG) is used in the generation of an interrupt. Writes to this register do not change the value held in the LOS1_FLG register.</p> <p>0: LOS1 alarm triggers active interrupt on IRQ output (if IRQ=1).</p> <p>1: LOS1_FLG ignored in generating interrupt output.</p> |
| 0   | LOSX_MSK | <p><b>LOSX_MSK.</b></p> <p>Determines if a LOS on OSC (LOSX_FLG) is used in the generation of an interrupt. Writes to this register do not change the value held in the LOSX_FLG register.</p> <p>0: LOSX alarm triggers active interrupt on IRQ output (if IRQ=1).</p> <p>1: LOSX_FLG ignored in generating interrupt output.</p>   |

## Register 24.

| Bit  | D7 | D6 | D5 | D4 | D3 | D2       | D1       | D0      |
|------|----|----|----|----|----|----------|----------|---------|
| Name |    |    |    |    |    | FOS2_MSK | FOS1_MSK | LOL_MSK |
| Type | R  | R  | R  | R  | R  | R/W      | R/W      | R/W     |

Reset value = 0011 1111

| Bit | Name     | Function  |
|-----|----------|---|
| 7:3 | Reserved |   |
| 2   | FOS2_MSK | <p><b>FOS2_MSK.</b></p> <p>Determines if the FOS2_FLG is used in the generation of an interrupt. Writes to this register do not change the value held in the FOS2_FLG register.</p> <p>0: FOS2 alarm triggers active interrupt on IRQ output (if IRQ_PIN=1).</p> <p>1: FOS2_FLG ignored in generating interrupt output.</p> |
| 1   | FOS1_MSK | <p><b>FOS1_MSK.</b></p> <p>Determines if the FOS1_FLG is used in the generation of an interrupt. Writes to this register do not change the value held in the FOS1_FLG register.</p> <p>0: FOS1 alarm triggers active interrupt on IRQ output (if IRQ_PIN=1).</p> <p>1: FOS1_FLG ignored in generating interrupt output.</p> |
| 0   | LOL_MSK  | <p><b>LOL_MSK.</b></p> <p>Determines if the LOL_FLG is used in the generation of an interrupt. Writes to this register do not change the value held in the LOL_FLG register.</p> <p>0: LOL alarm triggers active interrupt on IRQ output (if IRQ_PIN=1).</p> <p>1: LOL_FLG ignored in generating interrupt output.</p>      |

**Register 25.**

| Bit         | D7          | D6 | D5 | D4 | D3 | D2 | D1 | D0 |
|-------------|-------------|----|----|----|----|----|----|----|
| <b>Name</b> | N1_HS [2:0] |    |    |    |    |    |    |    |
| <b>Type</b> | R/W         |    |    | R  | R  | R  | R  | R  |

Reset value = 0010 0000

| Bit | Name        | Function  |
|-----|-------------|---|
| 7:5 | N1_HS [2:0] | <b>N1_HS [2:0].</b><br>Sets value for N1 high speed divider which drives NCn_LS (n = 1 to 2) low-speed divider.<br>000: N1 = 4<br>001: N1 = 5<br>010: N1 = 6<br>011: N1 = 7<br>100: N1 = 8<br>101: N1 = 9<br>110: N1 = 10<br>111: N1 = 11 |
| 4:0 | Reserved    |   |

**Register 31.**

| Bit         | D7 | D6 | D5 | D4 | D3             | D2 | D1 | D0 |
|-------------|----|----|----|----|----------------|----|----|----|
| <b>Name</b> |    |    |    |    | NC1_LS [19:16] |    |    |    |
| <b>Type</b> | R  | R  | R  | R  | R/W            |    |    |    |

Reset value = 0000 0000

| Bit | Name           | Function   |
|-----|----------------|--|
| 7:4 | Reserved       |  |
| 3:0 | NC1_LS [19:16] | <b>NC1_LS [19:16].</b><br>Sets value for NC1 low-speed divider, which drives CKOUT1 output. Must be 0 or odd.<br>00000000000000000000 = 1<br>00000000000000000001 = 2<br>00000000000000000011 = 4<br>00000000000000000101 = 6<br>...<br>11111111111111111111 = $2^{20}$<br>Valid divider values = [1, 2, 4, 6, ..., $2^{20}$ ] |

## Register 32.

| Bit         | D7            | D6 | D5 | D4 | D3 | D2 | D1 | D0 |
|-------------|---------------|----|----|----|----|----|----|----|
| <b>Name</b> | NC1_LS [15:8] |    |    |    |    |    |    |    |
| <b>Type</b> | R/W           |    |    |    |    |    |    |    |

Reset value = 0000 0000

| Bit | Name          | Function  |
|-----|---------------|---|
| 7:0 | NC1_LS [15:8] | <p><b>NC1_LS [15:8].</b><br/> Sets value for NC1 low-speed divider, which drives CKOUT1 output. Must be 0 or odd.<br/> 00000000000000000000 = 1<br/> 00000000000000000001 = 2<br/> 00000000000000000011 = 4<br/> 00000000000000000101 = 6<br/> ...<br/> 11111111111111111111 = <math>2^{20}</math><br/> Valid divider values = [1, 2, 4, 6, ..., <math>2^{20}</math>]</p> |

## Register 33.

| Bit         | D7           | D6 | D5 | D4 | D3 | D2 | D1 | D0 |
|-------------|--------------|----|----|----|----|----|----|----|
| <b>Name</b> | NC1_LS [7:0] |    |    |    |    |    |    |    |
| <b>Type</b> | R/W          |    |    |    |    |    |    |    |

Reset value = 0011 0001

| Bit | Name          | Function   |
|-----|---------------|--|
| 7:0 | NC1_LS [19:0] | <p><b>NC1_LS [7:0].</b><br/> Sets value for NC1 low-speed divider, which drives CKOUT1 output. Must be 0 or odd.<br/> 00000000000000000000 = 1<br/> 00000000000000000001 = 2<br/> 00000000000000000011 = 4<br/> 00000000000000000101 = 6<br/> ...<br/> 11111111111111111111 = <math>2^{20}</math><br/> Valid divider values = [1, 2, 4, 6, ..., <math>2^{20}</math>]</p> |

**Register 34.**

| Bit         | D7 | D6 | D5 | D4 | D3 | D2             | D1 | D0 |
|-------------|----|----|----|----|----|----------------|----|----|
| <b>Name</b> |    |    |    |    |    | NC2_LS [19:16] |    |    |
| <b>Type</b> | R  | R  | R  | R  |    | R/W            |    |    |

Reset value = 0000 0000

| Bit | Name           | Function   |
|-----|----------------|--|
| 7:4 | Reserved       |  |
| 3:0 | NC2_LS [19:16] | <p><b>NC2_LS [19:16].</b><br/>Sets value for NC2 low-speed divider, which drives CKOUT2 output. Must be 0 or odd.<br/>00000000000000000000=1<br/>00000000000000000001=2<br/>00000000000000000011=4<br/>00000000000000000101=6<br/>...<br/>11111111111111111111=2<sup>20</sup><br/>Valid divider values=[1, 2, 4, 6, ..., 2<sup>20</sup>]</p> |

**Register 35.**

| Bit         | D7            | D6 | D5 | D4 | D3 | D2 | D1 | D0 |
|-------------|---------------|----|----|----|----|----|----|----|
| <b>Name</b> | NC2_LS [15:8] |    |    |    |    |    |    |    |
| <b>Type</b> | R/W           |    |    |    |    |    |    |    |

Reset value = 0000 0000

| Bit | Name          | Function  |
|-----|---------------|---|
| 7:0 | NC2_LS [15:8] | <p><b>NC2_LS [15:8].</b><br/>Sets value for NC2 low-speed divider, which drives CKOUT2 output. Must be 0 or odd.<br/>00000000000000000000 = 1<br/>00000000000000000001 = 2<br/>00000000000000000011 = 4<br/>00000000000000000101 = 6<br/>...<br/>11111111111111111111=2<sup>20</sup><br/>Valid divider values=[1, 2, 4, 6, ..., 2<sup>20</sup>]</p> |

## Register 36.

| Bit  | D7           | D6 | D5 | D4 | D3 | D2 | D1 | D0 |
|------|--------------|----|----|----|----|----|----|----|
| Name | NC2_LS [7:0] |    |    |    |    |    |    |    |
| Type | R/W          |    |    |    |    |    |    |    |

Reset value = 0011 0001

| Bit | Name         | Function   |
|-----|--------------|--|
| 7:0 | NC2_LS [7:0] | <p><b>NC2_LS [7:0].</b><br/> Sets value for NC2 low-speed divider, which drives CKOUT2 output. Must be 0 or odd.<br/> 00000000000000000000 = 1<br/> 00000000000000000001 = 2<br/> 00000000000000000011 = 4<br/> 00000000000000000101 = 6<br/> ...<br/> 11111111111111111111 = <math>2^{20}</math><br/> Valid divider values = [1, 2, 4, 6, ..., <math>2^{20}</math>]</p> |



**Register 40.**

| Bit         | D7          | D6 | D5 | D4 | D3            | D2 | D1 | D0 |
|-------------|-------------|----|----|----|---------------|----|----|----|
| <b>Name</b> | N2_HS [2:0] |    |    |    | N2_LS [19:16] |    |    |    |
| <b>Type</b> | R/W         |    |    | R  | R/W           |    |    |    |

Reset value = 1100 0000

| Bit | Name          | Function   |
|-----|---------------|--|
| 7:5 | N2_HS [2:0]   | <b>N2_HS [2:0].</b><br>Sets value for N2 high speed divider which drives N2LS low-speed divider.<br>000: 4<br>001: 5<br>010: 6<br>011: 7<br>100: 8<br>101: 9<br>110: 10<br>111: 11   |
| 4   | Reserved      |  |
| 3:0 | N2_LS [19:16] | <b>N2_LS [19:16].</b><br>Sets value for N2 low-speed divider, which drives phase detector.<br>00000000000000000001 = 2<br>00000000000000000011 = 4<br>00000000000000000101 = 6<br>...<br>11111111111111111111 = $2^{20}$<br>Valid divider values = [2, 4, 6, ..., $2^{20}$ ] |

## Register 41.

| Bit  | D7           | D6 | D5 | D4 | D3 | D2 | D1 | D0 |
|------|--------------|----|----|----|----|----|----|----|
| Name | N2_LS [15:8] |    |    |    |    |    |    |    |
| Type | R/W          |    |    |    |    |    |    |    |

Reset value = 0000 0000

| Bit | Name         | Function  |
|-----|--------------|---|
| 7:0 | N2_LS [15:8] | <p><b>N2_LS [15:8].</b><br/> Sets value for N2 low-speed divider, which drives phase detector.<br/> 00000000000000000001 = 2<br/> 00000000000000000011 = 4<br/> 00000000000000000101 = 6<br/> ...<br/> 11111111111111111111 = <math>2^{20}</math><br/> Valid divider values = [2, 4, 6, ..., <math>2^{20}</math>]</p> |

## Register 42.

| Bit  | D7          | D6 | D5 | D4 | D3 | D2 | D1 | D0 |
|------|-------------|----|----|----|----|----|----|----|
| Name | N2_LS [7:0] |    |    |    |    |    |    |    |
| Type | R/W         |    |    |    |    |    |    |    |

Reset value = 1111 1001

| Bit | Name        | Function   |
|-----|-------------|--|
| 7:0 | N2_LS [7:0] | <p><b>N2_LS [7:0].</b><br/> Sets value for N2 low-speed divider, which drives phase detector.<br/> 00000000000000000001 = 2<br/> 00000000000000000011 = 4<br/> 00000000000000000101 = 6<br/> ...<br/> 11111111111111111111 = <math>2^{20}</math><br/> Valid divider values = [2, 4, 6, ..., <math>2^{20}</math>]</p> |

**Register 43.**

| Bit         | D7 | D6 | D5 | D4 | D3 | D2          | D1 | D0 |
|-------------|----|----|----|----|----|-------------|----|----|
| <b>Name</b> |    |    |    |    |    | N31 [18:16] |    |    |
| <b>Type</b> | R  | R  | R  | R  | R  | R/W         |    |    |

Reset value = 0000 0000

| Bit | Name        | Function   |
|-----|-------------|--|
| 7:3 | Reserved    |  |
| 2:0 | N31 [18:16] | <b>N31 [18:16].</b><br>Sets value for input divider for CKIN1.<br>00000000000000000000 = 1<br>00000000000000000001 = 2<br>00000000000000000010 = 3<br>...<br>11111111111111111111 = $2^{19}$<br>Valid divider values = [1, 2, 3, ..., $2^{19}$ ] |

**Register 44.**

| Bit         | D7         | D6 | D5 | D4 | D3 | D2 | D1 | D0 |
|-------------|------------|----|----|----|----|----|----|----|
| <b>Name</b> | N31_[15:8] |    |    |    |    |    |    |    |
| <b>Type</b> | R/W        |    |    |    |    |    |    |    |

Reset value = 0000 0000

| Bit | Name       | Function  |
|-----|------------|---|
| 7:0 | N31_[15:8] | <b>N31_[15:8].</b><br>Sets value for input divider for CKIN1.<br>00000000000000000000 = 1<br>00000000000000000001 = 2<br>00000000000000000010 = 3<br>...<br>11111111111111111111 = $2^{19}$<br>Valid divider values = [1, 2, 3, ..., $2^{19}$ ] |

## Register 45.

| Bit  | D7        | D6 | D5 | D4 | D3 | D2 | D1 | D0 |
|------|-----------|----|----|----|----|----|----|----|
| Name | N31_[7:0] |    |    |    |    |    |    |    |
| Type | R/W       |    |    |    |    |    |    |    |

Reset value = 0000 1001

| Bit | Name      | Function   |
|-----|-----------|--|
| 7:0 | N31_[7:0] | <b>N31_[7:0].</b><br>Sets value for input divider for CKIN1.<br>00000000000000000000 = 1<br>00000000000000000001 = 2<br>00000000000000000010 = 3<br>...<br>11111111111111111111 = $2^{19}$<br>Valid divider values = [1, 2, 3, ..., $2^{19}$ ] |

## Register 46.

| Bit  | D7 | D6 | D5 | D4 | D3 | D2 | D1          | D0 |
|------|----|----|----|----|----|----|-------------|----|
| Name |    |    |    |    |    |    | N32_[18:16] |    |
| Type | R  | R  | R  | R  | R  |    | R/W         |    |

Reset value = 0000 0000

| Bit | Name        | Function   |
|-----|-------------|--|
| 7:3 | Reserved    |  |
| 2:0 | N32_[18:16] | <b>N32_[18:16].</b><br>Sets value for input divider for CKIN1.<br>00000000000000000000 = 1<br>00000000000000000001 = 2<br>00000000000000000010 = 3<br>...<br>11111111111111111111 = $2^{19}$<br>Valid divider values = [1, 2, 3, ..., $2^{19}$ ] |

**Register 47.**

| Bit         | D7         | D6 | D5 | D4 | D3 | D2 | D1 | D0 |
|-------------|------------|----|----|----|----|----|----|----|
| <b>Name</b> | N32_[15:8] |    |    |    |    |    |    |    |
| <b>Type</b> | R/W        |    |    |    |    |    |    |    |

Reset value = 0000 0000

| Bit | Name       | Function  |
|-----|------------|---|
| 7:0 | N32_[15:8] | <b>N32_[15:8].</b><br>Sets value for input divider for CKIN2.<br>00000000000000000000 = 1<br>00000000000000000001 = 2<br>00000000000000000010 = 3<br>...<br>11111111111111111111 = $2^{19}$<br>Valid divider values = [1, 2, 3, ..., $2^{19}$ ] |

**Register 48.**

| Bit         | D7        | D6 | D5 | D4 | D3 | D2 | D1 | D0 |
|-------------|-----------|----|----|----|----|----|----|----|
| <b>Name</b> | N32_[7:0] |    |    |    |    |    |    |    |
| <b>Type</b> | R/W       |    |    |    |    |    |    |    |

Reset value = 0000 1001

| Bit | Name      | Function   |
|-----|-----------|--|
| 7:0 | N32_[7:0] | <b>N32_[7:0].</b><br>Sets value for input divider for CKIN2.<br>00000000000000000000 = 1<br>00000000000000000001 = 2<br>00000000000000000010 = 3<br>...<br>11111111111111111111 = $2^{19}$<br>Valid divider values = [1, 2, 3, ..., $2^{19}$ ] |

## Register 55.

| Bit  | D7 | D6 | D5              | D4 | D3 | D2              | D1 | D0 |
|------|----|----|-----------------|----|----|-----------------|----|----|
| Name |    |    | CLKIN2RATE[2:0] |    |    | CLKIN1RATE[2:0] |    |    |
| Type | R  | R  | R/W             |    |    | R/W             |    |    |

Reset value = 0000 0000

| Bit | Name             | Function  |
|-----|------------------|---|
| 7:6 | Reserved         |   |
| 5:3 | CLKIN2RATE[2:0]  | <b>CLKIN2RATE [2:0].</b><br>CKINn frequency selection for FOS alarm monitoring.<br>000: 10–27 MHz<br>001: 25–54 MHz<br>002: 50–105 MHz<br>003: 95–215 MHz<br>004: 190–435 MHz<br>005: 375–710 MHz<br>006: Reserved<br>007: Reserved |
| 2:0 | CLKIN1RATE [2:0] | <b>CLKIN1RATE[2:0].</b><br>CKINn frequency selection for FOS alarm monitoring.<br>000: 10–27 MHz<br>001: 25–54 MHz<br>002: 50–105 MHz<br>003: 95–215 MHz<br>004: 190–435 MHz<br>005: 375–710 MHz<br>006: Reserved<br>007: Reserved  |

**Register 128.**

| Bit         | D7 | D6 | D5 | D4 | D3 | D2 | D1           | D0           |
|-------------|----|----|----|----|----|----|--------------|--------------|
| <b>Name</b> |    |    |    |    |    |    | CK2_ACTV_REG | CK1_ACTV_REG |
| <b>Type</b> | R  | R  | R  | R  | R  | R  | R            | R            |

Reset value = 0010 0000

| Bit | Name         | Function  |
|-----|--------------|---|
| 7:2 | Reserved     |   |
| 1   | CK2_ACTV_REG | <b>CK2_ACTV_REG.</b><br>Indicates if CKIN2 is currently the active clock for the DSPLL input.<br>0: CKIN2 is not the active input clock. Either it is not selected or LOS2_INT is 1.<br>1: CKIN2 is the active input clock. |
| 0   | CK1_ACTV_REG | <b>CK1_ACTV_REG.</b><br>Indicates if CKIN1 is currently the active clock for the DSPLL input.<br>0: CKIN1 is not the active input clock. Either it is not selected or LOS1_INT is 1.<br>1: CKIN1 is the active input clock. |

**Register 129.**

| Bit         | D7 | D6 | D5 | D4 | D3 | D2       | D1       | D0       |
|-------------|----|----|----|----|----|----------|----------|----------|
| <b>Name</b> |    |    |    |    |    | LOS2_INT | LOS1_INT | LOSX_INT |
| <b>Type</b> | R  | R  | R  | R  | R  | R        | R        | R        |

Reset value = 0000 0110

| Bit | Name     | Function  |
|-----|----------|---|
| 7:3 | Reserved |   |
| 2   | LOS2_INT | <b>LOS2_INT.</b><br>Indicates the LOS status on CKIN2.<br>0: Normal operation.<br>1: Internal loss-of-signal alarm on CKIN2 input.  |
| 1   | LOS1_INT | <b>LOS1_INT.</b><br>Indicates the LOS status on CKIN1.<br>0: Normal operation.<br>1: Internal loss-of-signal alarm on CKIN1 input.  |
| 0   | LOSX_INT | <b>LOSX_INT.</b><br>Indicates the LOS status of the external reference on the OSC pins.<br>0: Normal operation.<br>1: Internal loss-of-signal alarm on OSC reference clock input. |

## Register 130.

| Bit  | D7 | D6           | D5 | D4 | D3 | D2       | D1       | D0      |
|------|----|--------------|----|----|----|----------|----------|---------|
| Name |    | DIGHOLDVALID |    |    |    | FOS2_INT | FOS1_INT | LOL_INT |
| Type | R  | R            | R  | R  | R  | R        | R        | R       |

Reset value = 0000 0001

| Bit | Name         | Function  |
|-----|--------------|---|
| 7   | Reserved     |   |
| 6   | DIGHOLDVALID | <b>Digital Hold Valid.</b><br>Indicates if the digital hold circuit has enough samples of a valid clock to meet digital hold specifications.<br>0: Indicates digital hold history registers have not been filled. The digital hold output frequency may not meet specifications.<br>1: Indicates digital hold history registers have been filled. The digital hold output frequency is valid. |
| 5:3 | Reserved     |   |
| 2   | FOS2_INT     | <b>CKIN2 Frequency Offset Status.</b><br>0: Normal operation.<br>1: Internal frequency offset alarm on CKIN2 input.   |
| 1   | FOS1_INT     | <b>CKIN1 Frequency Offset Status.</b><br>0: Normal operation.<br>1: Internal frequency offset alarm on CKIN1 input.   |
| 0   | LOL_INT      | <b>PLL Loss of Lock Status.</b><br>0: PLL locked.<br>1: PLL unlocked.   |



**Register 131.**

| Bit  | D7 | D6 | D5 | D4 | D3 | D2       | D1       | D0       |
|------|----|----|----|----|----|----------|----------|----------|
| Name |    |    |    |    |    | LOS2_FLG | LOS1_FLG | LOSX_FLG |
| Type | R  | R  | R  | R  | R  | R/W      | R/W      | R/W      |

Reset value = 0001 1111

| Bit | Name     | Function  |
|-----|----------|---|
| 7:3 | Reserved |   |
| 2   | LOS2_FLG | <b>CKIN2 Loss-of-Signal Flag.</b><br>0: Normal operation.<br>1: Held version of LOS2_INT. Generates active output interrupt if output interrupt pin is enabled (IRQ_PIN = 1) and if not masked by LOS2_MSK bit. Flag cleared by writing 0 to this bit.                                    |
| 1   | LOS1_FLG | <b>CKIN1 Loss-of-Signal Flag.</b><br>0: Normal operation<br>1: Held version of LOS1_INT. Generates active output interrupt if output interrupt pin is enabled (IRQ_PIN = 1) and if not masked by LOS1_MSK bit. Flag cleared by writing 0 to this bit.                                     |
| 0   | LOSX_FLG | <b>External Reference (signal on pins XA/XB) Loss-of-Signal Flag.</b><br>0: Normal operation<br>1: Held version of LOSX_INT. Generates active output interrupt if output interrupt pin is enabled (IRQ_PIN = 1) and if not masked by LOSX_MSK bit. Flag cleared by writing 0 to this bit. |

## Register 132.

| Bit  | D7 | D6 | D5 | D4 | D3       | D2       | D1      | D0 |
|------|----|----|----|----|----------|----------|---------|----|
| Name |    |    |    |    | FOS2_FLG | FOS1_FLG | LOL_FLG |    |
| Type | R  | R  | R  | R  | R/W      | R/W      | R/W     | R  |

Reset value = 0000 0010

| Bit | Name     | Function   |
|-----|----------|--|
| 7:4 | Reserved |  |
| 3   | FOS2_FLG | <b>CLKIN_2 Frequency Offset Flag.</b><br>0: Normal operation.<br>1: Held version of FOS2_INT. Generates active output interrupt if output interrupt pin is enabled (IRQ_PIN = 1) and if not masked by FOS2_MSK bit. Flag cleared by writing 0 to this bit. |
| 2   | FOS1_FLG | <b>CLKIN_1 Frequency Offset Flag.</b><br>0: Normal operation<br>1: Held version of FOS1_INT. Generates active output interrupt if output interrupt pin is enabled (IRQ_PIN = 1) and if not masked by FOS1_MSK bit. Flag cleared by writing 0 to this bit.  |
| 1   | LOL_FLG  | <b>PLL Loss of Lock Flag.</b><br>0: PLL locked<br>1: Held version of LOL_INT. Generates active output interrupt if output interrupt pin is enabled (IRQ_PIN = 1) and if not masked by LOL_MSK bit. Flag cleared by writing 0 to this bit.                  |
| 0   | Reserved |  |

**Register 134.**

| Bit         | D7                | D6 | D5 | D4 | D3 | D2 | D1 | D0 |
|-------------|-------------------|----|----|----|----|----|----|----|
| <b>Name</b> | PARTNUM_RO [11:4] |    |    |    |    |    |    |    |
| <b>Type</b> | R                 |    |    |    |    |    |    |    |

Reset value = 0000 0001

| Bit | Name              | Function   |
|-----|-------------------|--|
| 7:0 | PARTNUM_RO [11:0] | <b>Device ID (1 of 2).</b><br>0000 0100 1010: Si5374<br>Others: Reserved |

**Register 135.**

| Bit         | D7               | D6 | D5 | D4 | D3             | D2 | D1 | D0 |
|-------------|------------------|----|----|----|----------------|----|----|----|
| <b>Name</b> | PARTNUM_RO [3:0] |    |    |    | REVID_RO [3:0] |    |    |    |
| <b>Type</b> | R                |    |    |    | R              |    |    |    |

Reset value = 1010 0010

| Bit | Name              | Function   |
|-----|-------------------|--|
| 7:4 | PARTNUM_RO [11:0] | <b>Device ID (2 of 2).</b><br>0000 0100 1010: Si5374<br>Others: Reserved         |
| 3:0 | REVID_RO [3:0]    | <b>Indicates Device Revision Level.</b><br>0010: Revision C<br>Others: Reserved. |

## Register 136.

| Bit  | D7      | D6   | D5 | D4 | D3 | D2 | D1 | D0 |
|------|---------|------|----|----|----|----|----|----|
| Name | RST_REG | ICAL |    |    |    |    |    |    |
| Type | R/W     | R/W  | R  | R  | R  | R  | R  | R  |

Reset value = 0000 0000

| Bit | Name     | Function  |
|-----|----------|---|
| 7   | RST_REG  | <p><b>Internal Reset (Same as Pin Reset).</b></p> <p><b>Note:</b> The I<sup>2</sup>C port may not be accessed until 10 ms after RST_REG is asserted.</p> <p>0: Normal operation.</p> <p>1: Reset all internal logic. Outputs disabled or tristated during reset.</p>  |
| 6   | ICAL     | <p><b>Start Internal Calibration Sequence.</b></p> <p>For proper operation, the device must go through an internal calibration sequence. ICAL is a self-clearing bit. Writing a one to this location initiates an ICAL. The calibration is complete once the LOL alarm goes low. A valid stable clock (within 100 ppm) must be present to begin ICAL.</p> <p><b>Note:</b> Any divider, CLKINn_RATE or BWSEL_REG changes require an ICAL to take effect.</p> <p>0: Normal operation.</p> <p>1: Writing a "1" initiates internal self-calibration. Upon completion of internal self-calibration, LOL will go low.</p> |
| 5:0 | Reserved |   |

## Register 137.

| Bit  | D7 | D6 | D5 | D4 | D3 | D2 | D1 | D0       |
|------|----|----|----|----|----|----|----|----------|
| Name |    |    |    |    |    |    |    | FASTLOCK |
| Type | R  | R  | R  | R  | R  | R  | R  | R/W      |

Reset value = 0000 0000

| Bit | Name     | Function   |
|-----|----------|--|
| 7:1 | Reserved | Do not modify.   |
| 0   | FASTLOCK | <p><b>This bit must be set to 1 to enable FASTLOCK.</b></p> <p>This improves initial lock time by dynamically changing the loop bandwidth during PLL lock acquisition.</p> |

**Register 138.**

| Bit         | D7 | D6 | D5 | D4 | D3 | D2 | D1            | D0            |
|-------------|----|----|----|----|----|----|---------------|---------------|
| <b>Name</b> |    |    |    |    |    |    | LOS2_EN [1:1] | LOS1_EN [1:1] |
| <b>Type</b> | R  | R  | R  | R  | R  | R  | R/W           | R/W           |

Reset value = 0000 1111

| Bit | Name                 | Function  |
|-----|----------------------|---|
| 7:2 | Reserved             |   |
| 1   | LOS2_EN [1:0]<br>MSB | <p><b>Enable CKIN2 LOS Monitoring on the Specified Input (2 of 2).</b></p> <p><b>Note:</b> LOS2_EN is split between two registers.<br/>           00: Disable LOS monitoring.<br/>           01: Reserved.<br/>           10: Enable LOSA monitoring.<br/>           11: Enable LOS monitoring.<br/>           LOSA is a slower and less sensitive version of LOS. See the Family Reference Manual for details.</p> |
| 0   | LOS1_EN [1:0]<br>MSB | <p><b>Enable CKIN1 LOS Monitoring on the Specified Input (1 of 2).</b></p> <p><b>Note:</b> LOS1_EN is split between two registers.<br/>           00: Disable LOS monitoring.<br/>           01: Reserved.<br/>           10: Enable LOSA monitoring.<br/>           11: Enable LOS monitoring.<br/>           LOSA is a slower and less sensitive version of LOS. See the Family Reference Manual for details.</p> |

## Register 139.

| Bit  | D7 | D6 | D5            | D4            | D3 | D2 | D1      | D0      |
|------|----|----|---------------|---------------|----|----|---------|---------|
| Name |    |    | LOS2_EN [0:0] | LOS1_EN [0:0] |    |    | FOS2_EN | FOS1_EN |
| Type | R  | R  | R/W           | R/W           | R  | R  | R/W     | R/W     |

Reset value = 1111 1111

| Bit | Name                 | Function   |
|-----|----------------------|--|
| 7:6 | Reserved             |  |
| 5   | LOS2_EN [1:0]<br>LSB | <p><b>Enable CKIN2 LOS Monitoring on the Specified Input (2 of 2).</b></p> <p>Note: LOS2_EN is split between two registers.<br/>           00: Disable LOS monitoring.<br/>           01: Reserved.<br/>           10: Enable LOSA monitoring.<br/>           11: Enable LOS monitoring.<br/>           LOSA is a slower and less sensitive version of LOS. See the family reference manual for details.</p> |
| 4   | LOS_EN [1:0]<br>LSB  | <p><b>Enable CKIN1 LOS Monitoring on the Specified Input (1 of 2).</b></p> <p>Note: LOS1_EN is split between two registers.<br/>           00: Disable LOS monitoring.<br/>           01: Reserved.<br/>           10: Enable LOSA monitoring.<br/>           11: Enable LOS monitoring.<br/>           LOSA is a slower and less sensitive version of LOS. See the family reference manual for details.</p> |
| 3:2 | Reserved             |  |
| 1   | FOS2_EN              | <p><b>Enables FOS on a Per Channel Basis.</b></p> <p>0: Disable FOS monitoring.<br/>           1: Enable FOS monitoring.</p>   |
| 0   | FOS1_EN              | <p><b>Enables FOS on a Per Channel Basis.</b></p> <p>0: Disable FOS monitoring.<br/>           1: Enable FOS monitoring.</p>   |

**Register 142.**

| Bit         | D7                     | D6 | D5 | D4 | D3 | D2 | D1 | D0 |
|-------------|------------------------|----|----|----|----|----|----|----|
| <b>Name</b> | INDEPENDENTSKEW1 [7:0] |    |    |    |    |    |    |    |
| <b>Type</b> | R/W                    |    |    |    |    |    |    |    |

Reset value = 0000 0000

| Bit | Name                   | Function  |
|-----|------------------------|---|
| 7:0 | INDEPENDENTSKEW1 [7:0] | <b>INDEPENDENTSKEW1.</b><br>Eight-bit field that represents a 2s complement of the phase offset in terms of clocks from the high speed output divider. Default = 0. |

**Register 143.**

| Bit         | D7                     | D6 | D5 | D4 | D3 | D2 | D1 | D0 |
|-------------|------------------------|----|----|----|----|----|----|----|
| <b>Name</b> | INDEPENDENTSKEW2 [7:0] |    |    |    |    |    |    |    |
| <b>Type</b> | R/W                    |    |    |    |    |    |    |    |

Reset value = 0000 0000

| Bit | Name                   | Function  |
|-----|------------------------|---|
| 7:0 | INDEPENDENTSKEW2 [7:0] | <b>INDEPENDENTSKEW2.</b><br>8 bit field that represents a twos complement of the phase offset in terms of clocks from the high speed output divider. Default = 0. |

## 7.1. ICAL

The device registers must be configured for the device operation. After device configuration, a calibration procedure must be performed once a stable clock is applied to the selected CKINn input. The calibration process is triggered by writing a “1” to bit D6 in register 136. See the Family Reference Manual for details. In addition, after a successful calibration operation, changing any of the registers indicated in Table 9 requires that a calibration be performed again by the same procedure (writing a “1” to bit D6 in register 136).

**Table 9. ICAL-Sensitive Registers**

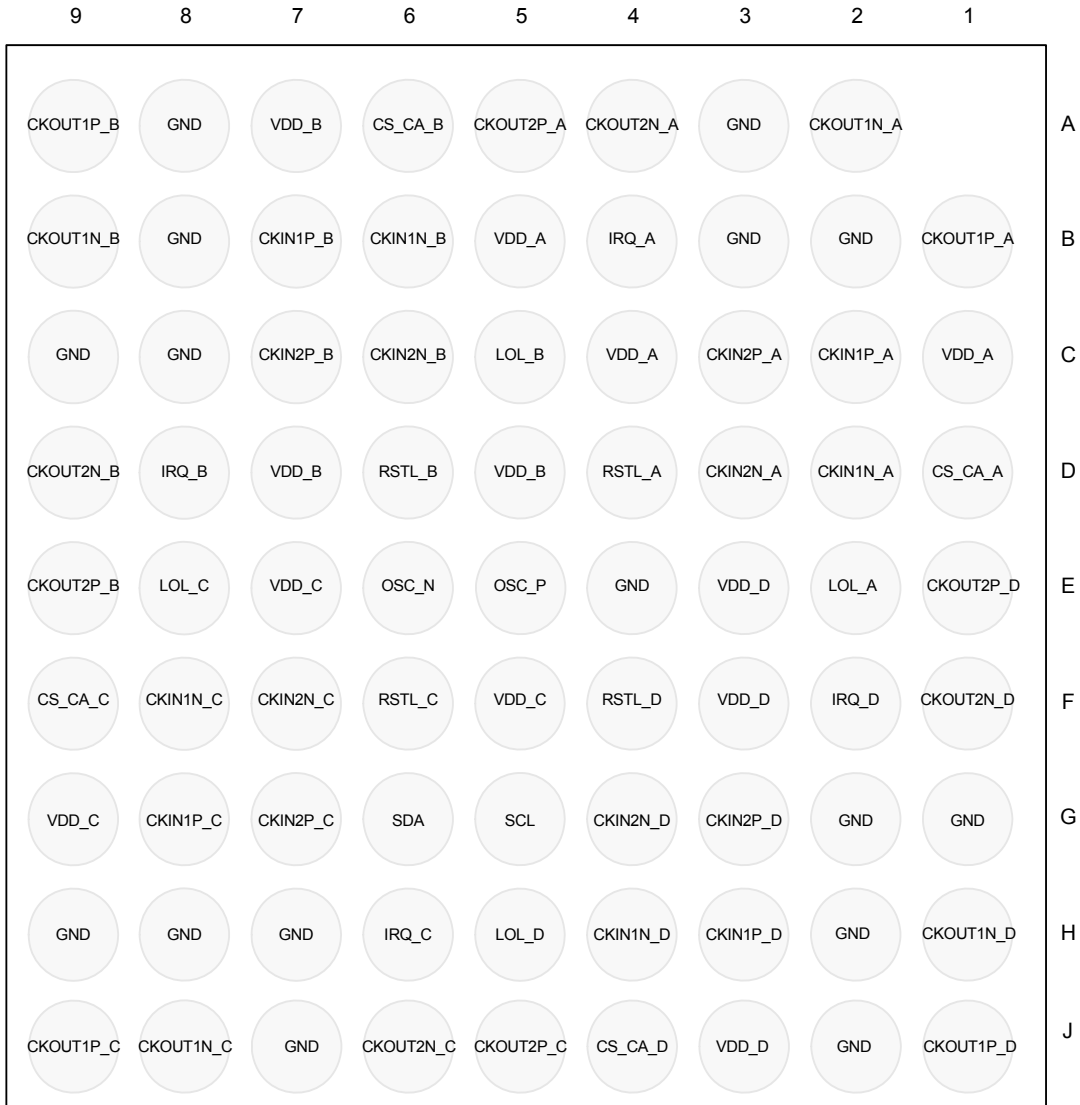
| Address | Register        |
|---------|-----------------|
| 0       | BYPASS_REG      |
| 0       | CKOUT_ALWAYS_ON |
| 1       | CK_PRIOR1       |
| 1       | CK_PRIOR2       |
| 2       | BSWEL_REG       |
| 2       | RATE_REG        |
| 4       | HIST_DEL        |
| 5       | ICMOS           |
| 7       | FOSREFSEL       |
| 9       | HIST_AVG        |
| 10      | DSBL1_REG       |
| 10      | DSBL2_REG       |
| 11      | PD_CK1          |
| 11      | PD_CK2          |
| 19      | FOS_EN          |
| 19      | FOS_THR         |
| 19      | LOCKT           |
| 19      | VALTIME         |
| 25      | N1_HS           |
| 31      | NC1_LS          |
| 34      | NC2_LS          |
| 40      | N2_HS           |
| 40      | N2_LS           |
| 43      | N31             |
| 46      | N32             |
| 55      | CLKIN1RATE      |
| 55      | CLKIN2RATE      |



Table 10. CKOUT\_ALWAYS\_ON and SQ\_ICAL Truth Table

| CKOUT_ALWAYS_ON | SQ_ICAL | Results   |
|-----------------|---------|---|
| 0               | 0       | CKOUT OFF until after the first ICAL  |
| 0               | 1       | CKOUT OFF until after the first successful ICAL (i.e., when LOL is low)                         |
| 1               | 0       | CKOUT always ON, including during an ICAL   |
| 1               | 1       | CKOUT always ON, including during an ICAL. Use these settings to preserve output-to-output skew |

## 8. Pin Descriptions: Si5374



Bottom View

**Figure 9. Si5374 Pin Configuration (Bottom View)**

Table 11. Si5374 Pin Descriptions

| Pin #  | Pin Name                             | I/O             | Signal Level | Description   |
|--|--------------------------------------|-----------------|--------------|---|
| D4<br>D6<br>F6<br>F4   | RSTL_A<br>RSTL_B<br>RSTL_C<br>RSTL_D | I               | LVC MOS      | <b>External Reset.</b><br>Active low input that performs external hardware reset of all four DSPLLs. Resets all internal logic to a known state and forces the device registers to their default value. Clock outputs are tri-stated during reset. The part must be programmed after a reset or power-on to get a clock output. This pin has a weak pull-up.  |
| B4<br>D8<br>H6<br>F2   | IRQ_A<br>IRQ_B<br>IRQ_C<br>IRQ_D     | O               | LVC MOS      | <b>DSPLLq Interrupt Indicator.</b><br>This pin functions as a device interrupt output. The interrupt output, <i>IRQ_PINn</i> must be set to 1. The pin functions as a maskable interrupt output with active polarity controlled by the <i>IRQ_POLn</i> register bit.<br><br>0 = CKINn present<br>1 = LOS (FOS) on CKINn<br>The active polarity is controlled by <i>CK_BAD_POL</i> . If no function is selected, the pin tri-states. |
| C1, C4, B5<br>A7, D5, D7<br>E7, F5, G9<br>E3, F3, J3   | VDD_A<br>VDD_B<br>VDD_C<br>VDD_D     | V <sub>DD</sub> | Supply       | <b>Supply.</b><br>The device operates from a 1.8 or 2.5 V supply. A 0.1 μF bypass capacitive is required for every VDD_9 pin. Bypass capacitors should be associated with the following VDD_q pins:<br>0.1 μF per VDD pin.<br>Four 1.0 μF should also be placed as close to each VDD domain as is practical. See recommended layout.  |
| E5<br>E6   | OSC_P<br>OSC_N                       | I               | Analog       | <b>External OSC.</b><br>An external low jitter reference clock should be connected to these pins. See the any-frequency precision clocks family reference manual for oscillator selection details.  |
| <b>Note:</b> Internal register names are indicated by italics, e.g., <i>IRQ_PIN</i> . See Si5374 Register Map. |                                      |                 |              |   |

Table 11. Si5374 Pin Descriptions (Continued)

| Pin #  | Pin Name   | I/O | Signal Level | Description  |
|--|--|-----|--------------|--|
| B2<br>A3<br>B3<br>E4<br>C8<br>A8<br>B8<br>C9<br>H7<br>J7<br>H8<br>H9<br>G1<br>H2<br>J2<br>G2                   | GND<br>GND<br>GND<br>GND<br>GND<br>GND<br>GND<br>GND<br>GND<br>GND<br>GND<br>GND<br>GND<br>GND<br>GND<br>GND   | GND | Supply       | <b>Ground for each DSPLLq.</b><br>Must be connected to system ground. Minimize the ground path impedance for optimal performance of this device. See recommended layout. |
| C2<br>D2<br>C3<br>D3<br><br>B7<br>B6<br>C7<br>C6<br><br>G8<br>F8<br>G7<br>F7<br><br>H3<br>H4<br>G3<br>G4       | <i>CKIN1P_A</i><br><i>CKIN1N_A</i><br><i>CKIN2P_A</i><br><i>CKIN2N_A</i><br><br><i>CKIN1P_B</i><br><i>CKIN1N_B</i><br><i>CKIN2P_B</i><br><i>CKIN2N_B</i><br><br><i>CKIN1P_C</i><br><i>CKIN1N_C</i><br><i>CKIN2P_C</i><br><i>CKIN2N_C</i><br><br><i>CKIN1P_D</i><br><i>CKIN1N_D</i><br><i>CKIN2P_D</i><br><i>CKIN2N_D</i> | I   | Multi        | <b>Clock Inputs for DSPLLq.</b><br>Differential input clocks. This input can also be driven with a single-ended signal.  |
| <b>Note:</b> Internal register names are indicated by italics, e.g., <i>IRQ_PIN</i> . See Si5374 Register Map. |  |     |              |  |

Table 11. Si5374 Pin Descriptions (Continued)

| Pin #                | Pin Name                                 | I/O | Signal Level | Description  |
|----------------------|--|-----|--------------|--|
| E2<br>C5<br>E8<br>H5 | LOL_A<br>LOL_B<br>LOL_C<br>LOL_D         | O   | LVC MOS      | <p><b>DSPLLq Loss of Lock Indicator.</b></p> <p>These pins function as the active high PLL loss of lock indicator if the <i>LOL_PIN</i> register bit is set to 1.</p> <p>0 = PLL locked.<br/>1 = PLL unlocked.</p> <p>If <i>LOL_PINn</i> = 0, this pin will tri-state. Active polarity is controlled by the <i>LOL_POLn</i> bit. The PLL lock status will always be reflected in the <i>LOL_INTn</i> read only register bit (see application note, "AN803: Lock and Settling Time Considerations for the Si5324/27/69/74 Any-Frequency Jitter Attenuating Clock ICs).</p>  |
| D1<br>A6<br>F9<br>J4 | CS_CA_A<br>CS_CA_B<br>CS_CA_C<br>CS_CA_D | I/O | LVC MOS      | <p><b>DSPLLq Input Clock Select/Active Clock Indicator.</b></p> <p><b>Input:</b> In manual clock selection mode, this pin functions as the manual input clock selector if the <i>CKSEL_PIN</i> is set to 1.</p> <p>0 = Select CKIN1<br/>1 = Select CKIN2</p> <p>If <i>CKSEL_PIN</i> = 0, the <i>CKSEL_REG</i> register bit controls this function and this input tristates. If configured for input, must be tied high or low.</p> <p><b>Output:</b> In automatic clock selection mode, this pin indicates which of the two input clocks is currently the active clock. If alarms exist on both clocks, <i>CK_ACTV</i> will indicate the last active clock that was used before entering the digital hold state. The <i>CK_ACTV_PIN</i> register bit must be set to 1 to reflect the active clock status to the <i>CK_ACTV</i> output pin.</p> <p>0 = CKIN1 active input clock<br/>1 = CKIN2 active input clock</p> <p>If <i>CK_ACTV_PIN</i> = 0, this pin will tristate. The <i>CK_ACTV</i> status will always be reflected in the <i>CK_ACTV_REG</i> read only register bit.</p> |
| G5                   | SCL                                      | I   | LVC MOS      | <p><b>I<sup>2</sup>C Serial Clock.</b></p> <p>This pin functions as the serial clock input.<br/>This pin has a weak pull-down.</p>   |
| G6                   | SDA                                      | I/O | LVC MOS      | <p><b>I<sup>2</sup>C Serial Data.</b></p> <p>I<sup>2</sup>C pin functions as the bi-directional serial data port.</p>  |

**Note:** Internal register names are indicated by italics, e.g., *IRQ\_PIN*. See Si5374 Register Map.

Table 11. Si5374 Pin Descriptions (Continued)

| Pin #  | Pin Name   | I/O | Signal Level | Description  |
|--|--|-----|--------------|--|
| B1<br>A2<br>A5<br>A4   | CKOUT1P_A<br>CKOUT1N_A<br>CKOUT2P_A<br>CKOUT2N_A | O   | Multi        | <b>Output Clock for DSPLLq.</b><br>Differential output clocks. Output signal format is selected by <i>SFOUT_REG</i> register bits. Output is differential for LVPECL, LVDS, and CML compatible modes. For CMOS format, both output pins drive in phase single-ended clock outputs at the same frequency. |
| A9<br>B9<br>E9<br>D9   | CKOUT1P_B<br>CKOUT1N_B<br>CKOUT2P_B<br>CKOUT2N_B |     |              |  |
| J9<br>J8<br>J5<br>J6   | CKOUT1P_C<br>CKOUT1N_C<br>CKOUT2P_C<br>CKOUT2N_C |     |              |  |
| J1<br>H1<br>E1<br>F1   | CKOUT1P_D<br>CKOUT1N_D<br>CKOUT2P_D<br>CKOUT2N_D |     |              |  |
| <b>Note:</b> Internal register names are indicated by italics, e.g., <i>IRQ_PIN</i> . See Si5374 Register Map. |  |     |              |  |

## 9. Ordering Guide

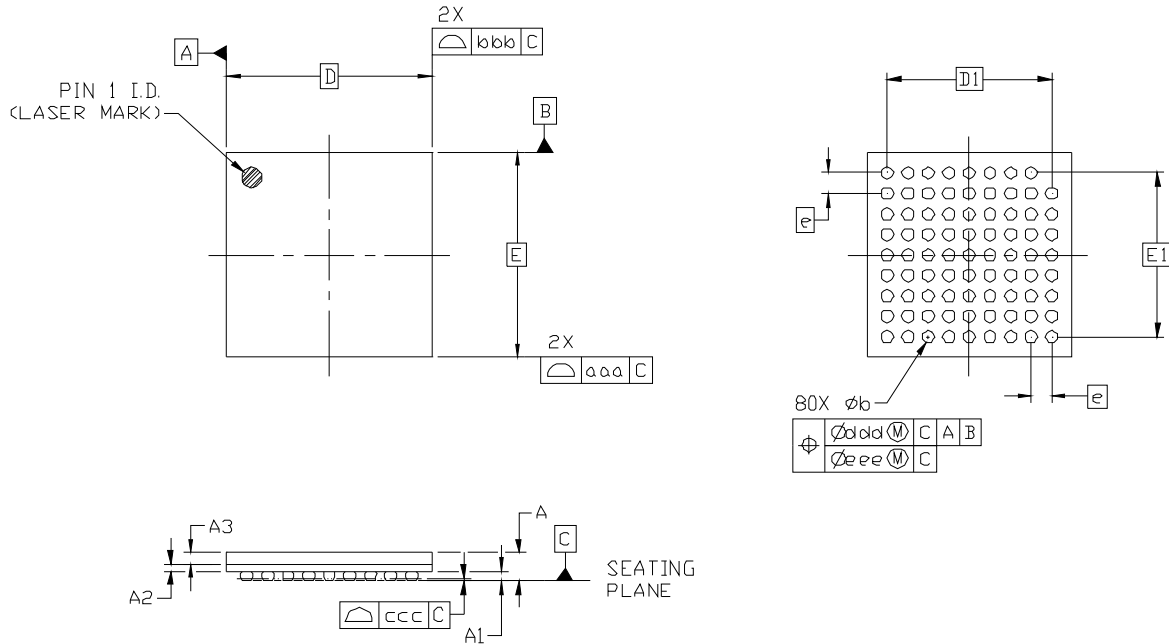
| Ordering Part Number      | Input/Output Clocks | PLL Bandwidth Range | Package             | RoHS6 Pb-Free | Temperature Range |
|---------------------------|---------------------|---------------------|---------------------|---------------|-------------------|
| Si5374B-A-GL <sup>1</sup> | 8/8                 | 4 to 525 Hz         | 10x10 mm<br>80-PBGA | Yes           | -40 to 85 °C      |
| Si5374B-A-BL <sup>1</sup> | 8/8                 | 4 to 525 Hz         | 10x10 mm<br>80-PBGA | No            | -40 to 85 °C      |
| Si5374C-A-GL <sup>2</sup> | 8/8                 | 4 to 525 Hz         | 10x10 mm<br>80-PBGA | Yes           | -40 to 85 °C      |
| Si5374C-A-BL <sup>2</sup> | 8/8                 | 4 to 525 Hz         | 10x10 mm<br>80-PBGA | No            | -40 to 85 °C      |
| Si5374-EVB                |                     |                     | Evaluation Board    |               |                   |

**Notes:**

1. These two OPNs are recommended for all new designs. Refer to application note, "AN803: Lock and Settling Time Considerations for Si5324/27/69/74 Any Frequency Jitter Attenuating Clock ICs" for more information.
2. These two OPNs are intended for use in legacy designs in which the Si5374 device must retain the original lock time behavior as described in AN803 and Product Bulletin (PB-1312191): "Si5324, Si5327, Si5369, Si5374 Loss-of-Lock (LOL) Time Behavior: New Applications Note and Ordering Options".

## 10. Package Outline

Figure 10 illustrates the package details for the Si5374. Table 12 lists the values for the dimensions shown in the illustration.



**Figure 10. 80-Pin Plastic Ball Grid Array (PBGA)**

**Table 12. Package Dimensions**

| Symbol | Min       | Nom  | Max  |  | Min | Nom      | Max |
|--------|-----------|------|------|--|-----|----------|-----|
| A      | 1.22      | 1.39 | 1.56 |  | E1  | 8.00 BSC |     |
| A1     | 0.40      | 0.50 | 0.60 |  | e   | 1.00 BSC |     |
| A2     | 0.32      | 0.36 | 0.40 |  | aaa | 0.10     |     |
| A3     | 0.46      | 0.53 | 0.60 |  | bbb | 0.10     |     |
| b      | 0.50      | 0.60 | 0.70 |  | ccc | 0.12     |     |
| D      | 10.00 BSC |      |      |  | ddd | 0.15     |     |
| E      | 10.00 BSC |      |      |  | eee | 0.08     |     |
| D1     | 8.00 BSC  |      |      |  |     |          |     |

**Notes:**

1. All dimensions shown are in millimeters (mm) unless otherwise noted.
2. Dimensioning and Tolerancing per ANSI Y14.5M-1994.
3. This drawing conforms to JEDEC outline MO-192.
4. Recommended card reflow profile is per the JEDEC/IPC J-STD-020 specification for Small Body Components.



## 11. Recommended PCB Layout

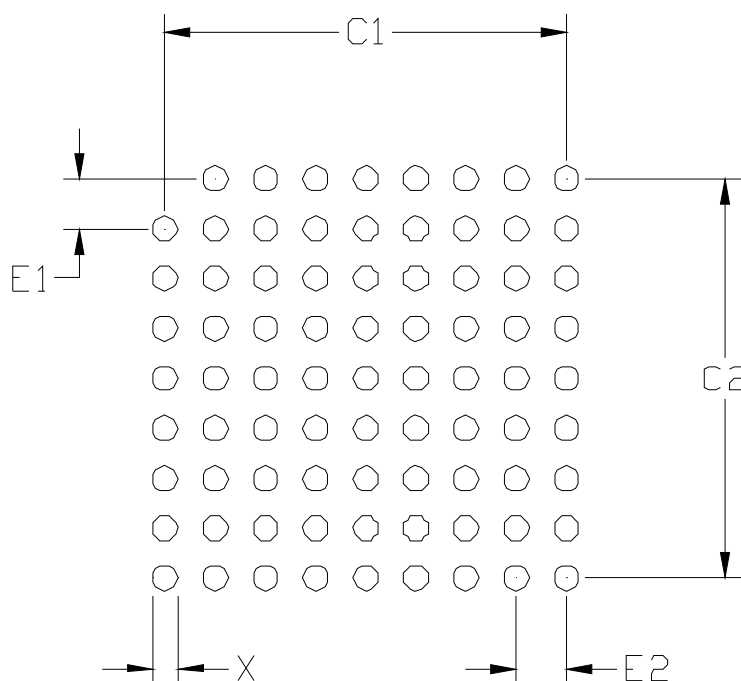


Figure 11. PBGA Card Layout

Table 13. Layout Dimensions

| Symbol | MIN  | NOM  | MAX  |
|--------|------|------|------|
| X      | 0.40 | 0.45 | 0.50 |
| C1     |      | 8.00 |      |
| C2     |      | 8.00 |      |
| E1     |      | 1.00 |      |
| E2     |      | 1.00 |      |

**Notes:**

**General**

1. All dimensions shown are in millimeters (mm) unless otherwise noted.
2. Dimensioning and Tolerancing is per the ANSI Y14.5M-1994 specification.
3. This Land Pattern Design is based on the IPC-7351 guidelines.

**Solder Mask Design**

4. All metal pads are to be non-solder mask defined (NSMD). Clearance between the solder mask and the metal pad is to be 60  $\mu\text{m}$  minimum, all the way around the pad.

**Stencil Design**

5. A stainless steel, laser-cut and electro-polished stencil with trapezoidal walls should be used to assure good solder paste release.
6. The stencil thickness should be 0.125 mm (5 mils).
7. The ratio of stencil aperture to land pad size should be 1:1.

**Card Assembly**

8. A No-Clean, Type-3 solder paste is recommended.
9. The recommended card reflow profile is per the JEDEC/IPC J-STD-020 specification for Small Body Components.

# Si5374

## 12. Top Markings

### 12.1. Si5374 Top Marking (PBGA, Lead-Free)



### 12.2. Top Marking Explanation (PBGA, Lead-Free)

|                        |  |   |
|------------------------|--|---|
| <b>Mark Method:</b>    | Laser  |   |
| <b>Logo Size:</b>      | 6.1 x 2.2 mm<br>Center-Justified                 |   |
| <b>Font Size:</b>      | 0.80 mm<br>Right-Justified                       |   |
| <b>Line 1 Marking:</b> | Device Part Number                               | Si5374B-A-GL, Pb-free   |
| <b>Line 2 Marking:</b> | YY = Year<br>WW = Work Week                      | Assigned by the Assembly House. Corresponds to the year and work week of the mold date. |
|                        | TTTTTT = Mfg Code                                | Manufacturing Code from the Assembly Purchase Order form.                               |
| <b>Line 3 Marking:</b> | Pin 1 Identifier                                 | Circle = 0.75 mm Diameter<br>Lower-Left Justified                                       |
|                        | “e1” Lead-Free Finish Symbol (Pb-Free BGA Balls) | Circle = 1.4 mm Diameter<br>Center-Justified  |
|                        | Country of Origin                                | TW  |

### 12.3. Si5374 Top Marking (PBGA, Lead-Finish)



### 12.4. Top Marking Explanation (PBGA, Lead-Finish)

|                        |   |  |
|------------------------|---|--|
| <b>Mark Method:</b>    | Laser                                       |  |
| <b>Logo Size:</b>      | 6.1 x 2.2 mm<br>Center-Justified            |  |
| <b>Font Size:</b>      | 0.80 mm<br>Right-Justified                  |  |
| <b>Line 1 Marking:</b> | Device Part Number                          | Si5374B-A-BL, Pb finish  |
| <b>Line 2 Marking:</b> | YY = Year<br>WW = Work Week                 | Assigned by the Assembly House.<br>Corresponds to the year and work week of the mold date. |
|                        | TTTTTT = Mfg Code                           | Manufacturing Code from the<br>Assembly Purchase Order form.                               |
| <b>Line 3 Marking:</b> | Pin 1 Identifier                            | Circle = 0.75 mm Diameter<br>Lower-Left Justified  |
|                        | "e0" Lead Finish Symbol<br>(SnPb BGA Balls) | Circle = 1.4 mm Diameter<br>Center-Justified   |
|                        | Country of Origin                           | TW   |

## DOCUMENT CHANGE LIST

- Updates to LOS1\_EN and LOS2\_EN on pages 53 and 54.

### Revision 0.1 to Revision 0.2

- Added 1.8 V operation.
- Added 40 MHz reference oscillator
- Corrected Figure 10 title.
- Added comment to SFOUT register.

### Revision 0.2 to Revision 0.3

- Updated and reordered spec tables.

### Revision 0.3 to Revision 0.4

- Added Silicon Labs logo to device top mark.

### Revision 0.4 to Revision 0.45

- Added comments indicating that a crystal may not be used in place of an external oscillator.
- Updated specification Tables 3, 4, and 5.
- Added maximum jitter specifications to Table 5.
- Added Thermal Characteristics table on page 12.
- Added Figure 3, "Typical Phase Noise Plot," on page 14.
- Added "5. Si5374 Application Examples and Suggestions" on page 17.
- Updated "7. Register Descriptions" on page 22.
- Added a part number for the non-RoHS6 device to "9. Ordering Guide" on page 63.
- Added recommendations on the four reset pins in "5.4. RSTL\_x Pins" on page 17.
- Added Lead-Finish top marking.

### Revision 0.45 to Revision 1.0

- Updated "Features" on page 1.
  - Revised output jitter values.
- Minor corrections to Tables 2 and 3.
- Added maximum lock and settle time specs to Table 5.
- Updated "5.5. Reference Oscillator Selection" on page 17.
  - Revised Si530 part number.
- Added warning about MEMS reference oscillators to "5.5. Reference Oscillator Selection" on page 17.
- Added Table 10 in "7.1. ICAL" on page 56.

### Revision 1.0 to Revision 1.1

- Added reference to AN803 on pages 11, 16, 31 and 60.
- Added additional LOL and Settling Time Specs on page 11.
- Added new part numbers on page 63.



## ClockBuilder Pro

One-click access to Timing tools, documentation, software, source code libraries & more. Available for Windows and iOS (CBGo only).

[www.silabs.com/CBPro](http://www.silabs.com/CBPro)



Timing Portfolio  
[www.silabs.com/timing](http://www.silabs.com/timing)



SW/HW  
[www.silabs.com/CBPro](http://www.silabs.com/CBPro)



Quality  
[www.silabs.com/quality](http://www.silabs.com/quality)



Support and Community  
[community.silabs.com](http://community.silabs.com)

### Disclaimer

Silicon Laboratories intends to provide customers with the latest, accurate, and in-depth documentation of all peripherals and modules available for system and software implementers using or intending to use the Silicon Laboratories products. Characterization data, available modules and peripherals, memory sizes and memory addresses refer to each specific device, and "Typical" parameters provided can and do vary in different applications. Application examples described herein are for illustrative purposes only. Silicon Laboratories reserves the right to make changes without further notice and limitation to product information, specifications, and descriptions herein, and does not give warranties as to the accuracy or completeness of the included information. Silicon Laboratories shall have no liability for the consequences of use of the information supplied herein. This document does not imply or express copyright licenses granted hereunder to design or fabricate any integrated circuits. The products are not designed or authorized to be used within any Life Support System without the specific written consent of Silicon Laboratories. A "Life Support System" is any product or system intended to support or sustain life and/or health, which, if it fails, can be reasonably expected to result in significant personal injury or death. Silicon Laboratories products are not designed or authorized for military applications. Silicon Laboratories products shall under no circumstances be used in weapons of mass destruction including (but not limited to) nuclear, biological or chemical weapons, or missiles capable of delivering such weapons.

### Trademark Information

Silicon Laboratories Inc.®, Silicon Laboratories®, Silicon Labs®, SiLabs® and the Silicon Labs logo®, Bluegiga®, Bluegiga Logo®, Clockbuilder®, CMEMS®, DSPLL®, EFM®, EFM32®, EFR®, Ember®, Energy Micro, Energy Micro logo and combinations thereof, "the world's most energy friendly microcontrollers", Ember®, EZLink®, EZRadio®, EZRadioPRO®, Gecko®, ISOModem®, Precision32®, ProSLIC®, Simplicity Studio®, SiPHY®, Telegesis, the Telegesis Logo®, USBXpress® and others are trademarks or registered trademarks of Silicon Laboratories Inc. ARM, CORTEX, Cortex-M3 and THUMB are trademarks or registered trademarks of ARM Holdings. Keil is a registered trademark of ARM Limited. All other products or brand names mentioned herein are trademarks of their respective holders.



Silicon Laboratories Inc.  
400 West Cesar Chavez  
Austin, TX 78701  
USA

<http://www.silabs.com>

Компания «Life Electronics» занимается поставками электронных компонентов импортного и отечественного производства от производителей и со складов крупных дистрибьюторов Европы, Америки и Азии.

С конца 2013 года компания активно расширяет линейку поставок компонентов по направлению коаксиальный кабель, кварцевые генераторы и конденсаторы (керамические, пленочные, электролитические), за счёт заключения дистрибьюторских договоров

Мы предлагаем:

- Конкурентоспособные цены и скидки постоянным клиентам.
- Специальные условия для постоянных клиентов.
- Подбор аналогов.
- Поставку компонентов в любых объемах, удовлетворяющих вашим потребностям.
- Приемлемые сроки поставки, возможна ускоренная поставка.
- Доставку товара в любую точку России и стран СНГ.
- Комплексную поставку.
- Работу по проектам и поставку образцов.
- Формирование склада под заказчика.
- Сертификаты соответствия на поставляемую продукцию (по желанию клиента).
- Тестирование поставляемой продукции.
- Поставку компонентов, требующих военную и космическую приемку.
- Входной контроль качества.
- Наличие сертификата ISO.

В составе нашей компании организован Конструкторский отдел, призванный помогать разработчикам, и инженерам.

Конструкторский отдел помогает осуществить:

- Регистрацию проекта у производителя компонентов.
- Техническую поддержку проекта.
- Защиту от снятия компонента с производства.
- Оценку стоимости проекта по компонентам.
- Изготовление тестовой платы монтаж и пусконаладочные работы.



Тел: +7 (812) 336 43 04 (многоканальный)  
Email: [org@lifeelectronics.ru](mailto:org@lifeelectronics.ru)