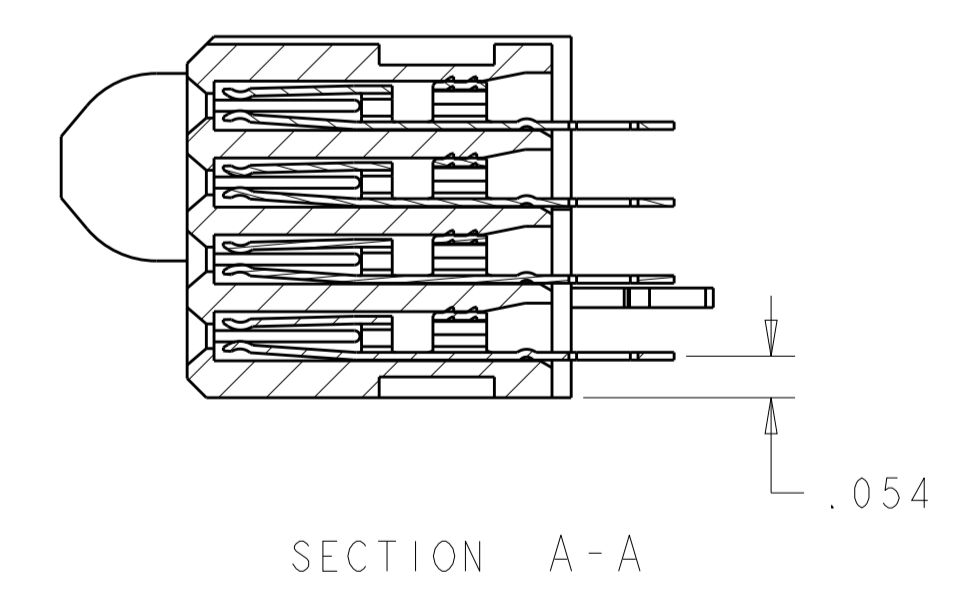
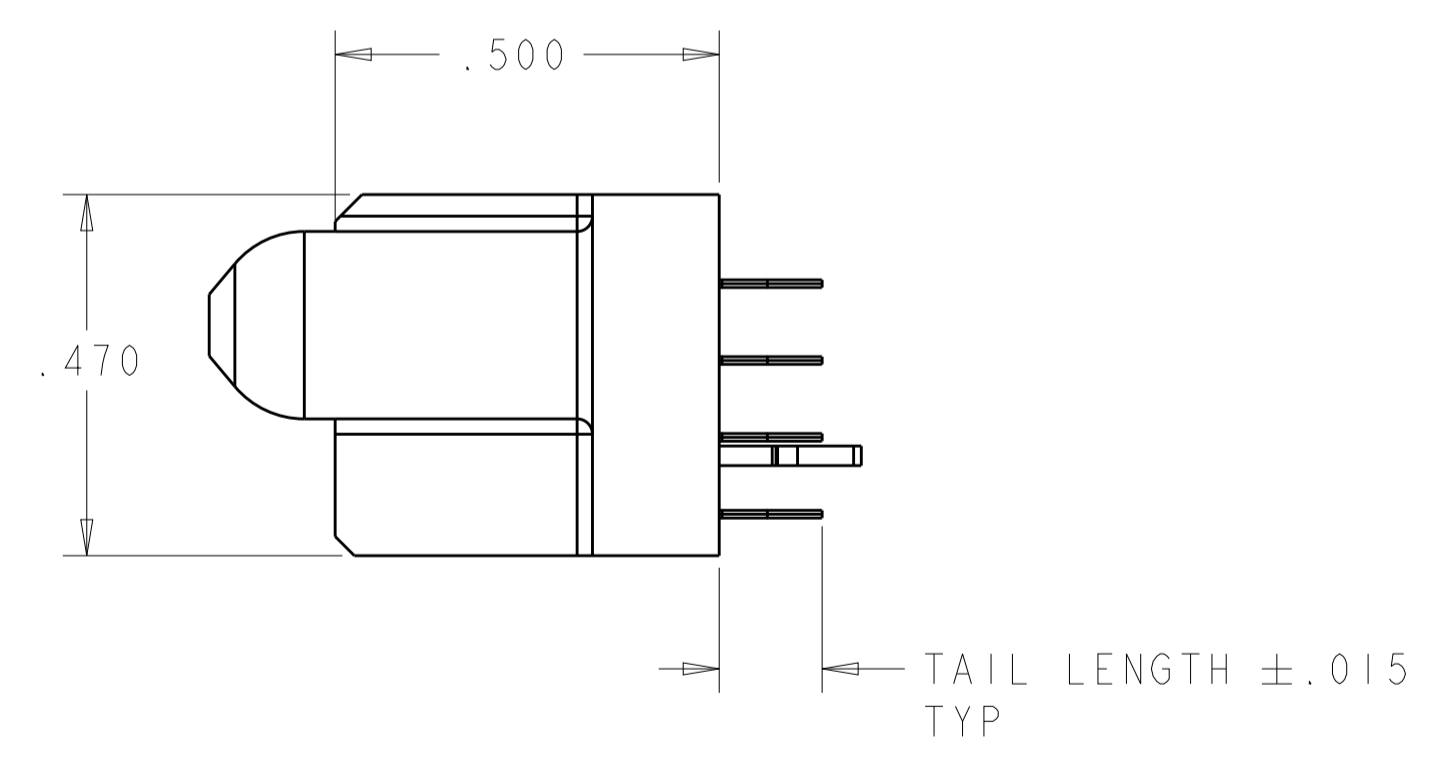
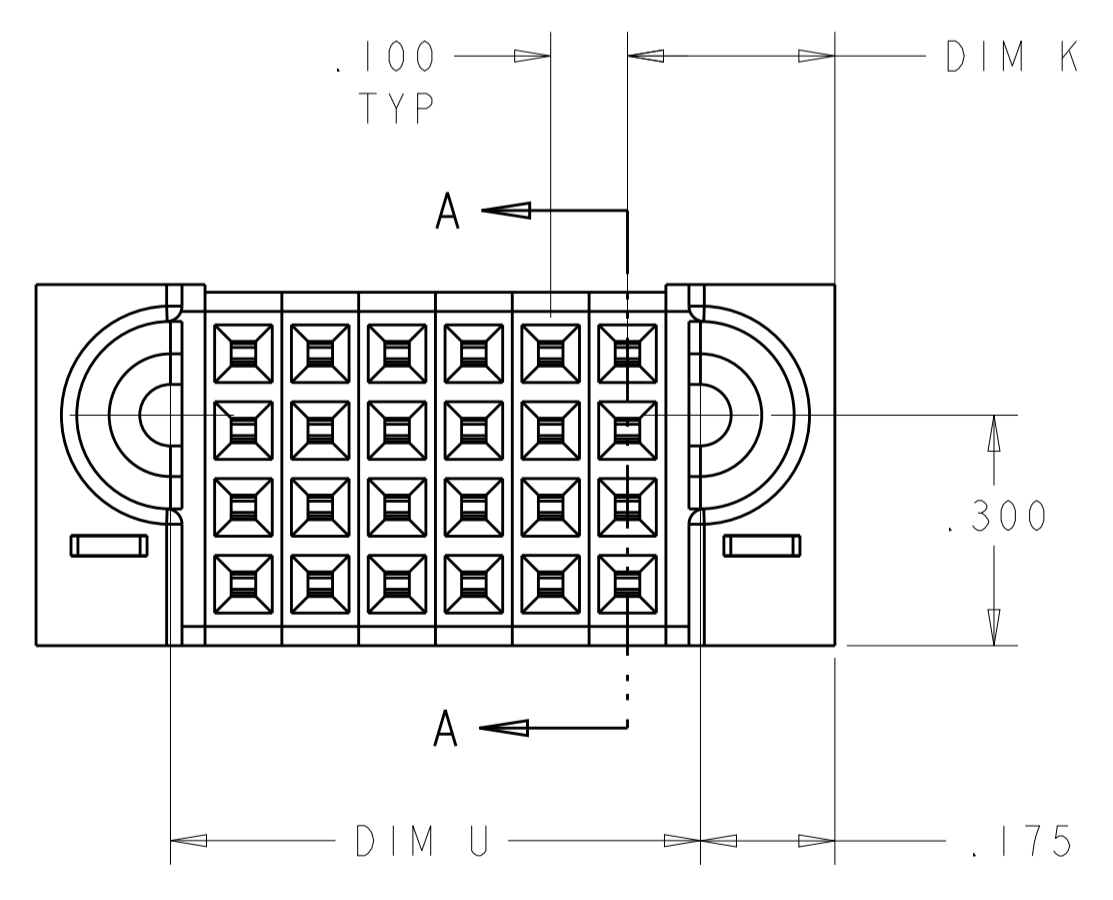
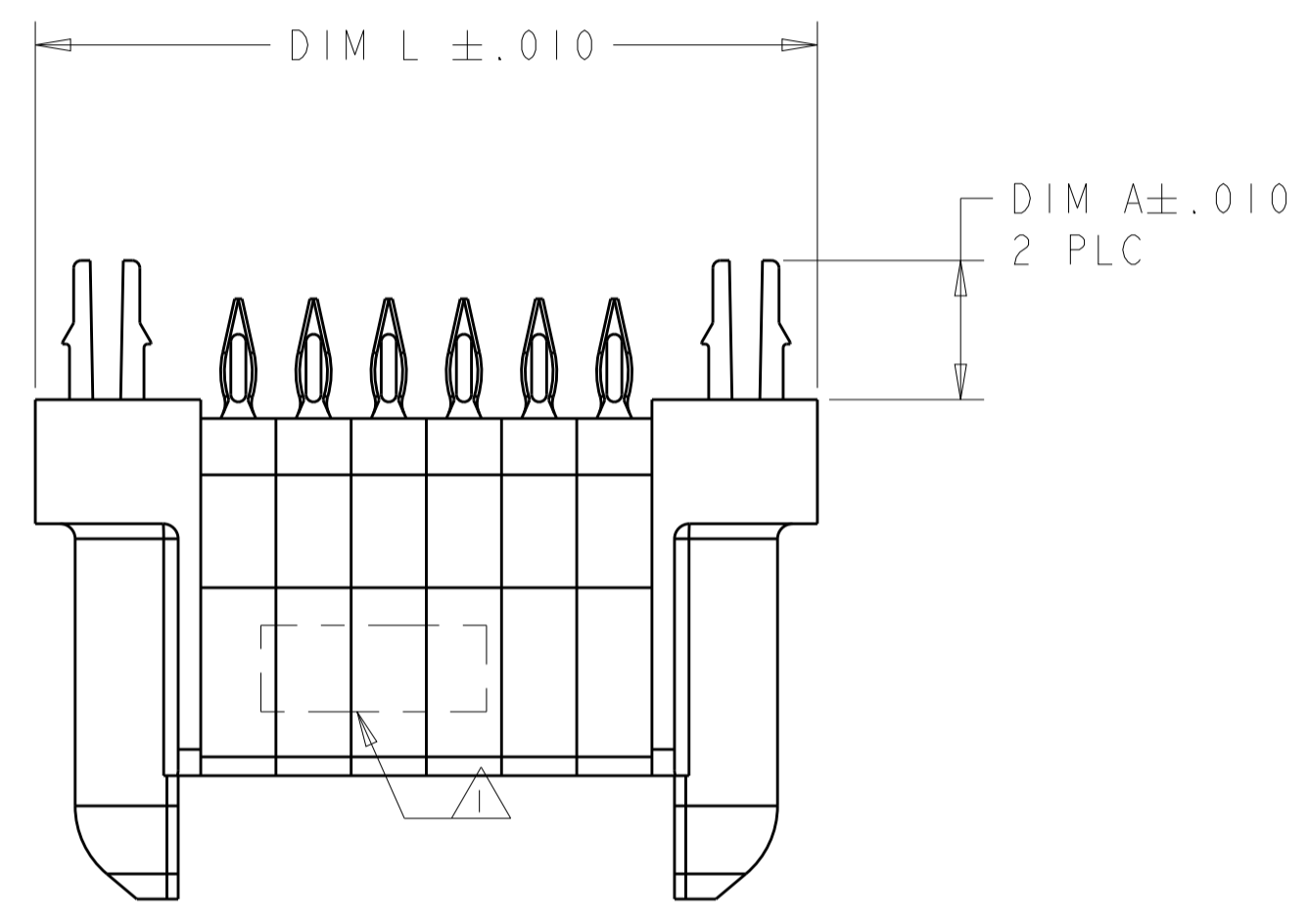
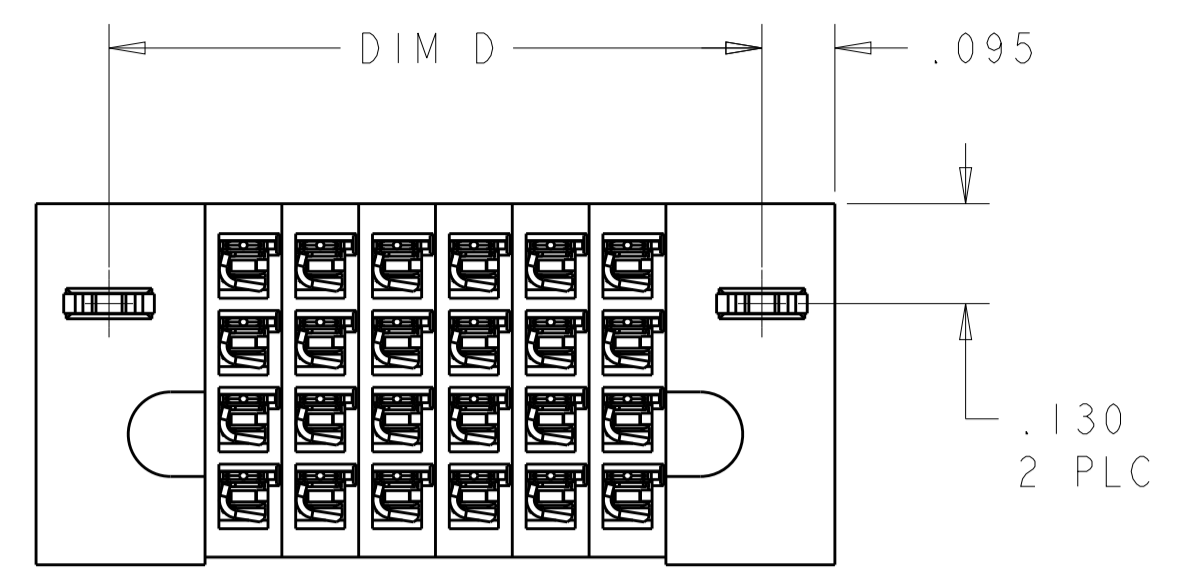


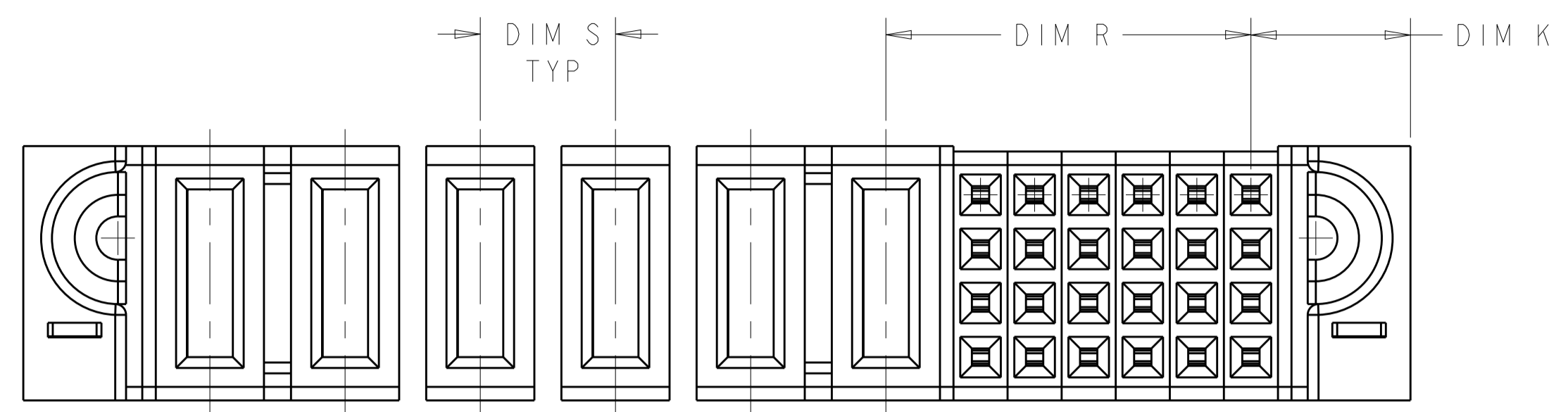
| LOC | DIST | REVISIONS |     |                         |           |     |      |
|-----|------|-----------|-----|-------------------------|-----------|-----|------|
|     |      | P         | LTN | DESCRIPTION             | DATE      | DMN | APVD |
| ES  | 00   | G5        |     | ADD NEW DASH NUMBER 1-8 | 11AUG2014 | AL  | SZ   |
|     |      |           |     |                         |           |     |      |
|     |      |           |     |                         |           |     |      |



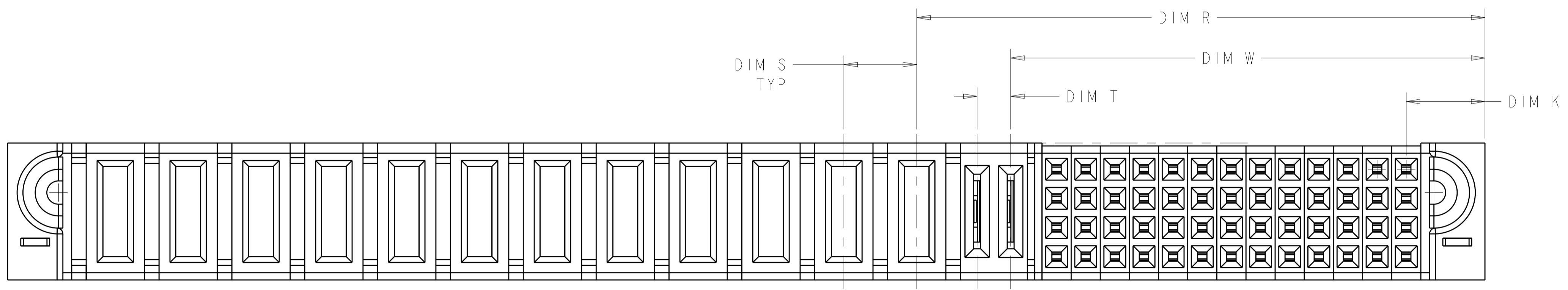
- 1 "AMP", PART NUMBER AND DATE CODE TO BE MARKED IN AREA SHOWN PARTS UNDER 2.00 LONG MAY BE MARKED ON BOTH SIDES
- 2 MATERIAL: HOUSING - GLASS FILLED HIGH TEMP THERMO PLASTIC, UL94 V-0  
 SIGNAL CONTACT - HIGH CONDUCTIVITY COPPER ALLOY  
 POWER CONTACT - HIGH CONDUCTIVITY COPPER ALLOY
- 3 CONTACT PLATING: NOBLE METAL PLATING ON CONTACT FUNCTIONAL AREA OF POWER AND SIGNAL CONTACTS
- 4 MECHANICAL CONNECTOR KEEP OUT ZONE
- 5 DATUM AND BASIC DIMENSIONS ESTABLISHED BY CUSTOMER
- 6 PCB - ALL HOLE DIAMETERS ARE FINISHED HOLE SIZES
- 7 PCB - 0.0453 ±.0010 DRILLED HOLES PLATED WITH .0003 MIN Sn OVER .001 TO .003 Cu PLATING TO ACHIEVE A .040 ±.0030 HOLE
- 8 FOR "S+P" CONFIGURATION ,VARIABLE DIMENSIONS PLEASE REFER TO SHEET 2
- 9 FOR "S+LP+P" CONFIGURATION ,VARIABLE DIMENSIONS PLEASE REFER TO SHEET 2
- 10 VARIABLE DIMENSION REFER TO THE DIMENSION ON CORRRESPONDING MODEL UNDER THE PCB

|  |  |   |                        |                 |
|--|--|---|------------------------|-----------------|
| THIS DRAWING IS A CONTROLLED DOCUMENT.   |  | DMN<br>C. ZHOU<br>CHK<br>S. ZHAO<br>APVD  | 20JUN2012<br>20JUN2012 | TE Connectivity |
| DIMENSIONS:<br>INCHES  | TOLERANCES UNLESS OTHERWISE SPECIFIED: | PRODUCT SPEC<br>108-2292<br>APPLICATION SPEC<br>114-13251<br>WEIGHT<br>Customer Drawing |                        |                 |
| 0 PLC ±.<br>1 PLC ±.<br>2 PLC ±.<br>3 PLC ±.005<br>4 PLC ±.0020<br>ANGLES ±.0° | FINISH<br>                             | RESTRICTED TO<br>SHEET 1 OF 11<br>REV G5  |                        |                 |

| LOC |    | DIST |     | REVISIONS   |      |     |      |  |
|-----|----|------|-----|-------------|------|-----|------|--|
| ES  | 00 | P    | LTH | DESCRIPTION | DATE | DWN | APVD |  |
|     |    | -    |     | SEE SHEET 1 |      |     |      |  |



△ FOR "S + P" CONFIGURATION  
 UNSPECIFIED DIMENSIONS REFER TO SHEET 1.



△ FOR "S + LP + P" CONFIGURATION  
 UNSPECIFIED DIMENSIONS REFER TO SHEET 1.

|    |       |        |          |        |         |       |       |       |       |                 |             |
|----|-------|--------|----------|--------|---------|-------|-------|-------|-------|-----------------|-------------|
| 65 | .185  | -      | -        | -      | -       | 1.640 | 1.290 | 1.450 | .270  | 48S             | 1-6450861-8 |
|    | .128  | -      | -        | △      | .475 △  | 1.990 | 1.640 | 1.800 | .270  | 16S + 4P        | 1-6450861-7 |
|    | .185  | -      | -        | -      | -       | .840  | .490  | .650  | .270  | 16S             | 1-6450861-6 |
|    | .185  | -      | -        | .200 △ | .675 △  | 1.865 | 1.515 | 1.675 | .270  | 24S + 4P        | 1-6450861-5 |
|    | .185  | -      | -        | -      | -       | 2.140 | 1.790 | 1.950 | .320  | 64S             | 1-6450861-4 |
|    | .185  | -      | -        | .250 △ | .475 △  | 3.840 | 3.490 | 3.650 | .295  | 16S + 12P       | 1-6450861-3 |
|    | .185  | -      | -        | .300 △ | .875 △  | 2.465 | 2.115 | 2.275 | .320  | 32S + 4ACP      | 1-6450861-2 |
|    | .185  | -      | -        | .250 △ | .475 △  | 3.340 | 2.990 | 3.150 | .295  | 16S + 10P       | 1-6450861-1 |
|    | .185  | -      | -        | .250 △ | .675 △  | 2.040 | 1.690 | 1.850 | .270  | 24S + 4P        | 6450861-9   |
|    | .185  | -      | -        | .250 △ | .475 △  | 1.440 | 1.090 | 1.250 | .320  | 16S + 2P        | 6450861-8   |
|    | .185  | .115 △ | 1.6275 △ | .250 △ | 1.950 △ | 5.070 | 4.720 | 4.880 | .270  | 52S + 2LP + 12P | 6450861-6   |
|    | .185  | -      | -        | .250 △ | .675 △  | 3.065 | 2.715 | 2.875 | .295  | 24S + 8P        | 6450861-5   |
|    | .185  | -      | -        | .250 △ | .675 △  | 2.565 | 2.215 | 2.375 | .295  | 24S + 6P        | 6450861-4   |
|    | .185  | -      | -        | .250 △ | .675 △  | 2.565 | 2.215 | 2.375 | .295  | 24S + 6P        | 6450861-3   |
|    | .185  | -      | -        | -      | -       | 2.240 | 1.890 | 2.050 | .270  | 72S             | 6450861-2   |
|    | .185  | -      | -        | -      | -       | 1.040 | .690  | .850  | .270  | 24S             | 6450861-1   |
|    | DIM A | DIM T  | DIM W    | DIM S  | DIM R   | DIM L | DIM U | DIM D | DIM K | DESCRIPTION     | PART NUMBER |

THIS DRAWING IS A CONTROLLED DOCUMENT.

DIMENSIONS: INCHES

TOLERANCES UNLESS OTHERWISE SPECIFIED:

|        |       |
|--------|-------|
| 0 PLC  | ±     |
| 1 PLC  | ±.01  |
| 2 PLC  | ±.005 |
| 3 PLC  | ±.002 |
| 4 PLC  | ±.001 |
| ANGLES | ±.002 |

MATERIAL: - FINISH: -

DATE: 11/14/2008

SCALE: 4:1

SHEET 2 OF 11

REV 66

CUSTOMER DRAWING

STE TE Connectivity

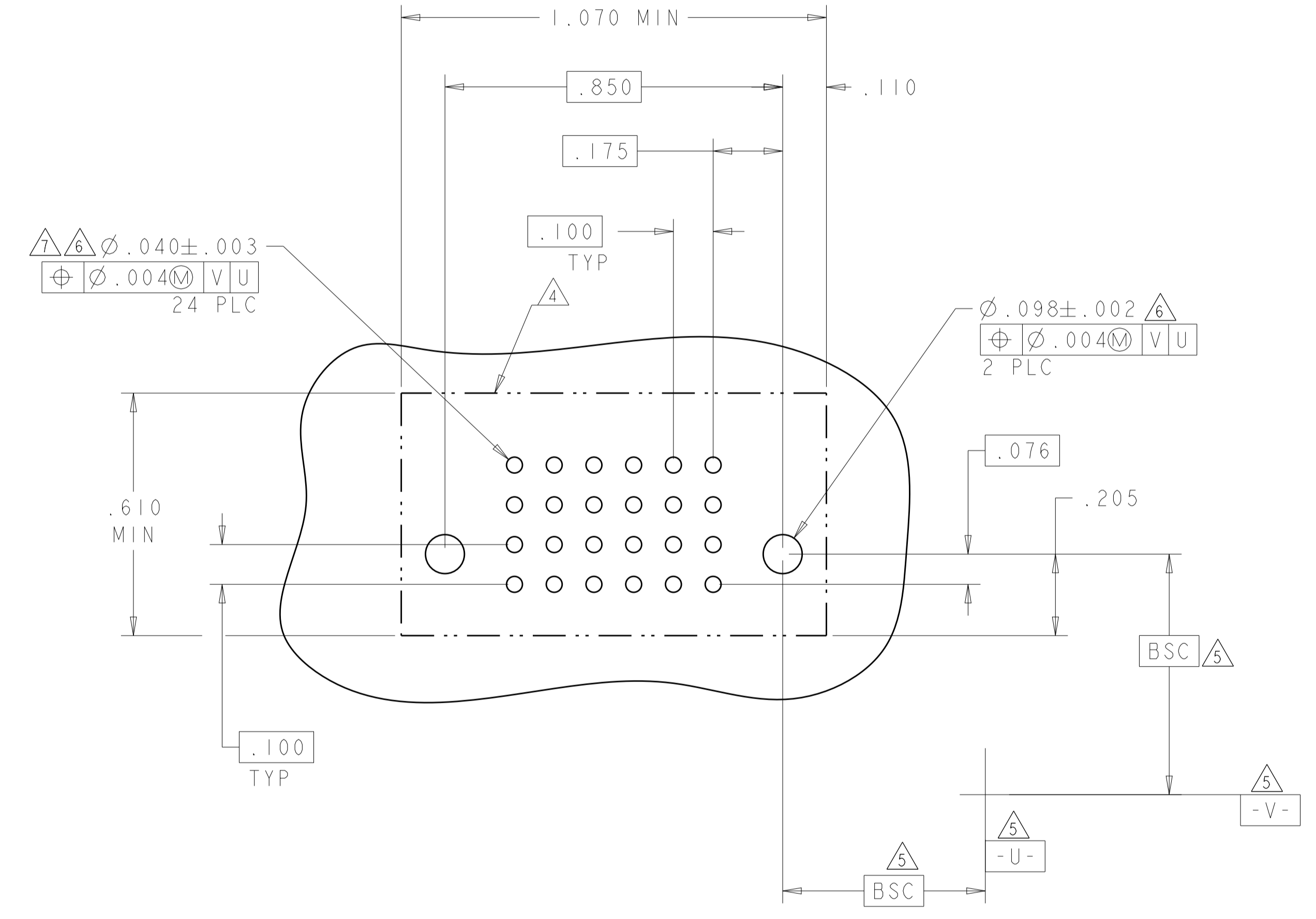
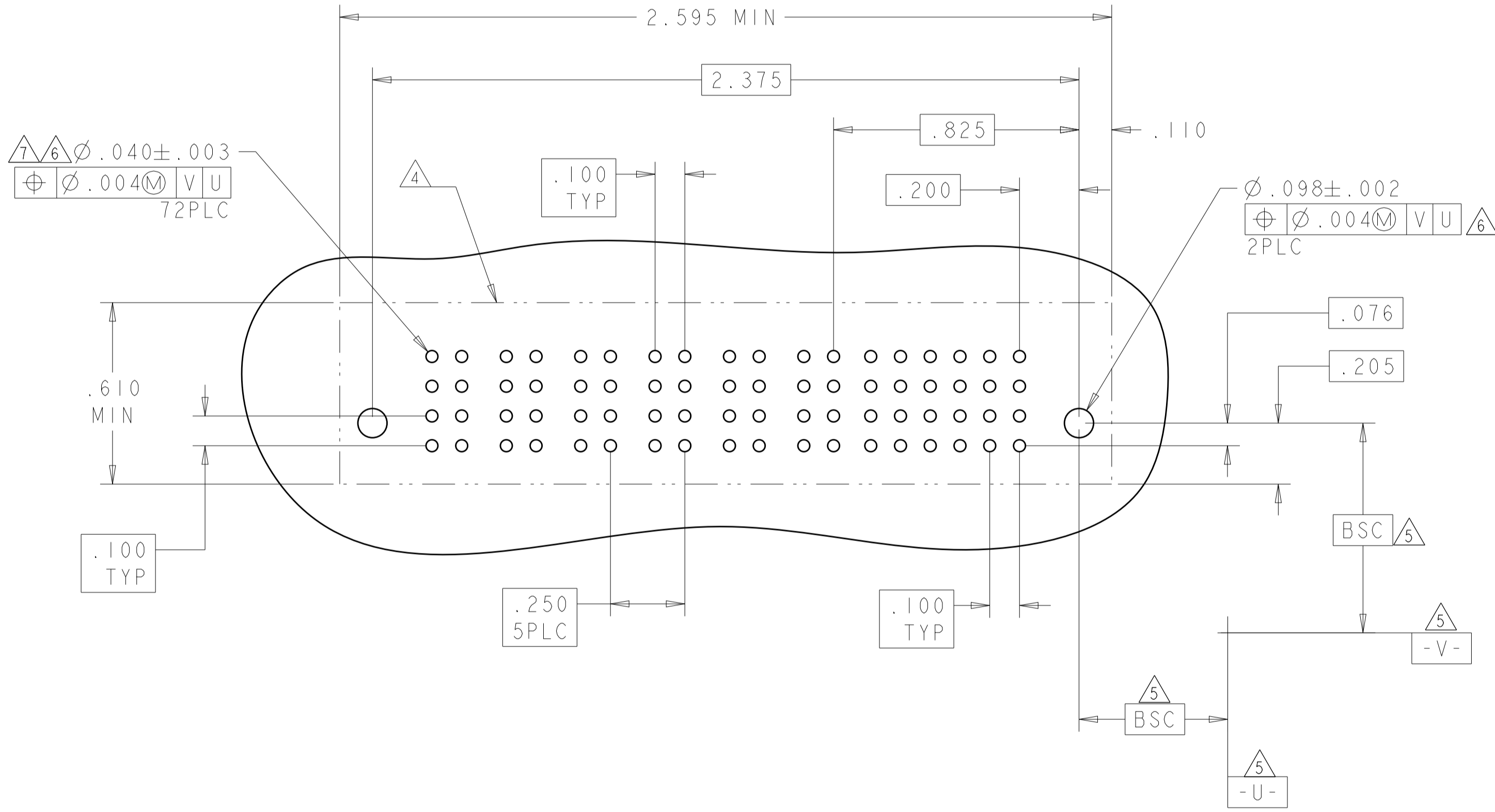
VERVIEWAREBERSSEMBLY  
 W WITH ISHFOR TO LIGLIESE,, HRESSS FIHT  
 MULT I HLELAM HLELAM XLE

SIZE: A1 00779 C=6450861

| LOC | DIST | REVISIONS |     |             |      |     |      |
|-----|------|-----------|-----|-------------|------|-----|------|
|     |      | P         | LTN | DESCRIPTION | DATE | DMN | APVD |
| ES  | 00   | -         | -   | SEE SHEET 1 | -    | -   | -    |

| PART NUMBER | ROWS             | POWER |    |    |    |    |    | SIGNAL |    |    |    |    |    |    |
|-------------|------------------|-------|----|----|----|----|----|--------|----|----|----|----|----|----|
|             |                  | P6    | P5 | P4 | P3 | P2 | P1 | 6      | 5  | 4  | 3  | 2  | 1  |    |
| 6450861-3   | D<br>C<br>B<br>A | GS    | GS | GS | GS | GS | GS | AP     | AP | AP | AP | AP | AP |    |
|             |                  |       |    |    |    |    |    | AP     | AP | AP | AP | AP | AP | AP |
|             |                  |       |    |    |    |    |    | AP     | AP | AP | AP | AP | AP | AP |
| 24S + 6P    |                  | HD    |    |    |    |    |    |        |    |    |    |    | HD |    |

| PART NUMBER | ROWS             | SIGNAL |    |    |    |    |    |
|-------------|------------------|--------|----|----|----|----|----|
|             |                  | 6      | 5  | 4  | 3  | 2  | 1  |
| 6450861-1   | D<br>C<br>B<br>A | AP     | AP | AP | AP | AP | AP |
|             |                  | AP     | AP | AP | AP | AP | AP |
|             |                  | AP     | AP | AP | AP | AP | AP |
|             |                  | AP     | AP | AP | AP | AP | AP |
| 24S         |                  | HD     |    |    |    |    | HD |



| CODE | CONTACT TABLE                      |
|------|------------------------------------|
| HS   | STD POWER PRESS FIT CONTACT .165"  |
| BP   | SIGNAL PRESS FIT CONTACT .165"     |
| AP   | SIGNAL PRESS FIT CONTACT .135"     |
| GP   | MFBL POWER PRESS FIT CONTACT .135" |
| GS   | STD POWER PRESS FIT CONTACT .135"  |
| CODE | TAIL LENGTH                        |

THIS DRAWING IS A CONTROLLED DOCUMENT.

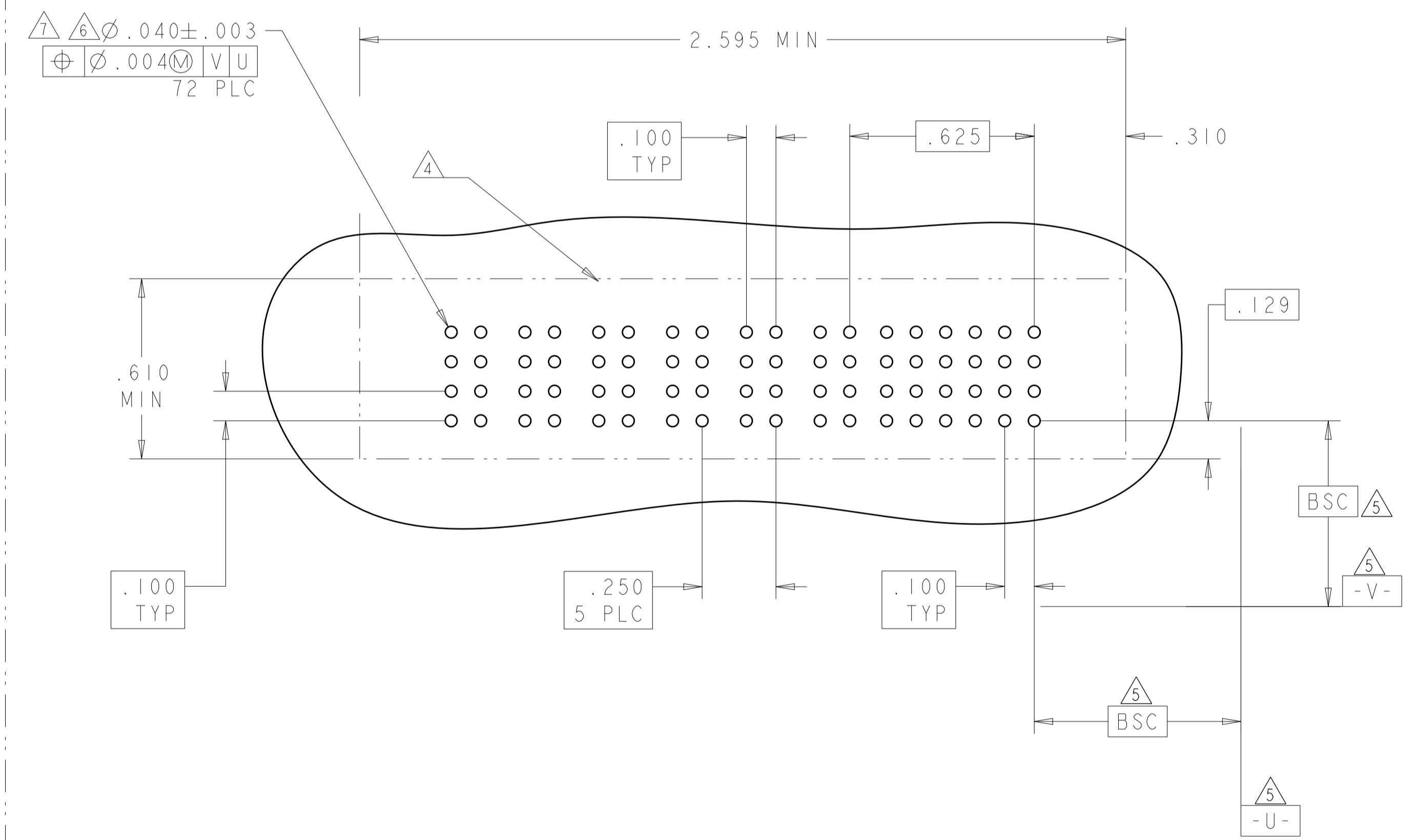
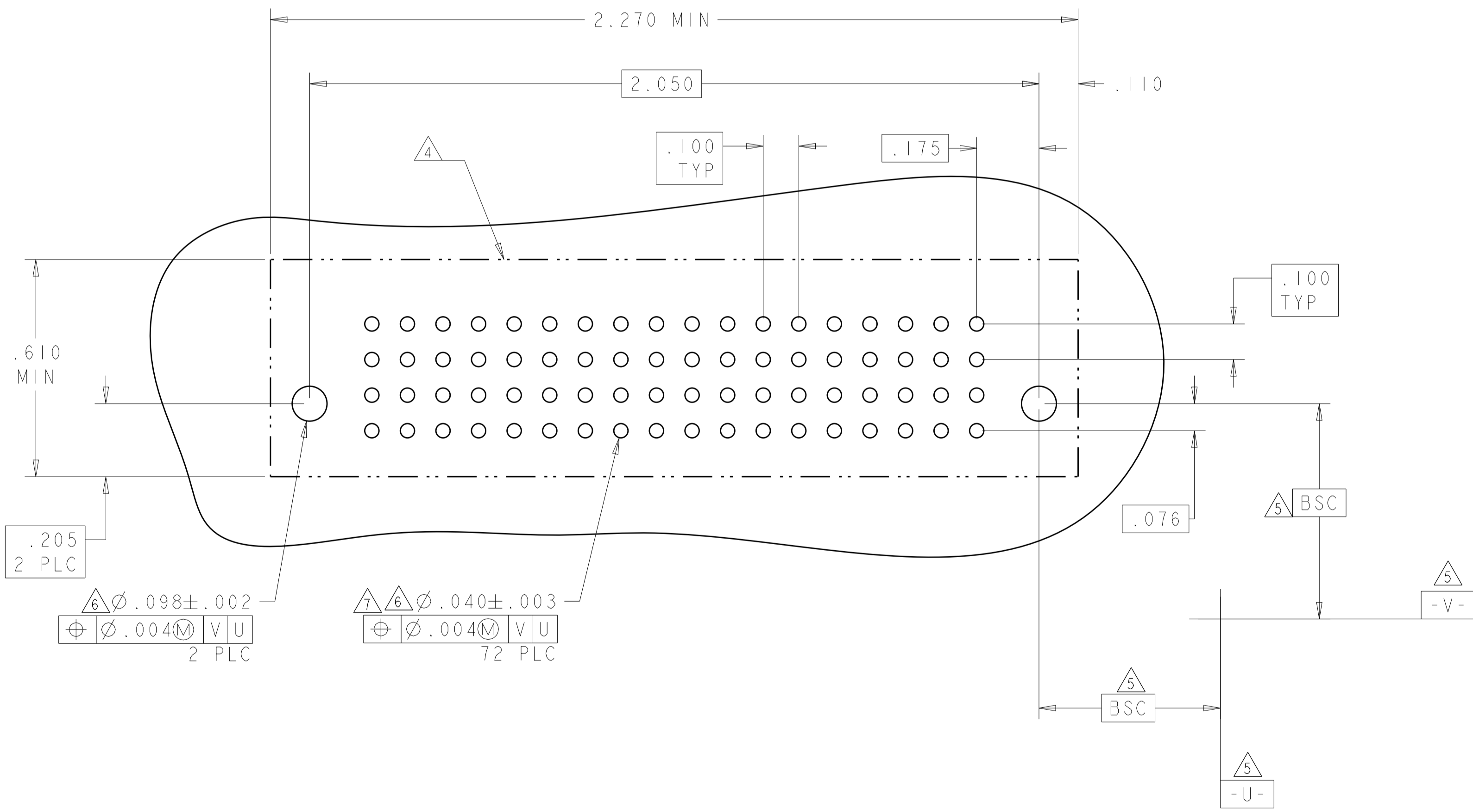
|             |  |                  |                                  |
|-------------|--|------------------|----------------------------------|
| DIMENSIONS: | TOLERANCES UNLESS OTHERWISE SPECIFIED: | DMN              | 08/08/2008                       |
| INCHES      | 0 PLC ±.01                             | CHK              | C. ZHOU                          |
|             | 1 PLC ±.01                             | CHK              | S. ZHAO                          |
|             | 2 PLC ±.01                             | APVD             | S. YAO                           |
|             | 3 PLC ±.005                            | NAME             | VERVE GABE REPER S&C MB ASSEMBLY |
|             | 4 PLC ±.002                            | PRODUCT SPEC     | 108-2292                         |
|             | ANGLES ±.020                           | APPLICATION SPEC | 114-13058                        |
| MATERIAL    | FINISH                                 | SIZE             | CAGE CODE DRAWING NO             |
|             |  | RESTRICTED TO    | A100779                          |
|             |  | SCALE            | 4:1                              |
|             |  | SHEET            | 3 OF 11                          |
|             |  | REV              | G5                               |

CUSTOMER DRAWING

| LOC | DIST | REVISIONS |             |    |      |
|-----|------|-----------|-------------|----|------|
| ES  | 00   | REV       | DATE        | BY | APPV |
|     |      | 1         | SEE SHEET 1 |    |      |

| PART NUMBER | ROWS             | SIGNAL |    |    |    |    |    |    |    |    |    |    |    |    |    |    |    |    |    |
|-------------|------------------|--------|----|----|----|----|----|----|----|----|----|----|----|----|----|----|----|----|----|
|             |                  | 18     | 17 | 16 | 15 | 14 | 13 | 12 | 11 | 10 | 9  | 8  | 7  | 6  | 5  | 4  | 3  | 2  | 1  |
| 6450861-2   | D<br>C<br>B<br>A | AP     | AP | AP | AP | AP | AP | AP | AP | AP | AP | AP | AP | AP | AP | AP | AP | AP | AP |
|             |                  | AP     | AP | AP | AP | AP | AP | AP | AP | AP | AP | AP | AP | AP | AP | AP | AP | AP | AP |
|             |                  | AP     | AP | AP | AP | AP | AP | AP | AP | AP | AP | AP | AP | AP | AP | AP | AP | AP | AP |
|             |                  | AP     | AP | AP | AP | AP | AP | AP | AP | AP | AP | AP | AP | AP | AP | AP | AP | AP | AP |
| 72S         |                  |        |    |    |    |    |    |    |    |    |    |    |    |    |    |    |    |    |    |

| PART NUMBER | ROWS             | POWER |    |    |    |    |    | SIGNAL |    |    |    |    |    |
|-------------|------------------|-------|----|----|----|----|----|--------|----|----|----|----|----|
|             |                  | P6    | P5 | P4 | P3 | P2 | P1 | 6      | 5  | 4  | 3  | 2  | 1  |
| 6450861-4   | D<br>C<br>B<br>A | GS    | GS | GS | GS | GS | GS | AP     | AP | AP | AP | AP | AP |
|             |                  | GS    | GS | GS | GS | GS | GS | AP     | AP | AP | AP | AP | AP |
|             |                  | GS    | GS | GS | GS | GS | GS | AP     | AP | AP | AP | AP | AP |
|             |                  | GS    | GS | GS | GS | GS | GS | AP     | AP | AP | AP | AP | AP |
| 24S + 6P    |                  |       |    |    |    |    |    |        |    |    |    |    |    |



THIS DRAWING IS A CONTROLLED DOCUMENT.

|                       |   |        |        |
|-----------------------|---|--------|--------|
| DIMENSIONS:<br>INCHES | TOLERANCES UNLESS OTHERWISE SPECIFIED:<br>0 PLC ±.<br>1 PLC ±.01<br>2 PLC ±.01<br>3 PLC ±.005<br>4 PLC ±.0020<br>ANGLES ±2° | FINISH | FINISH |
|-----------------------|---|--------|--------|

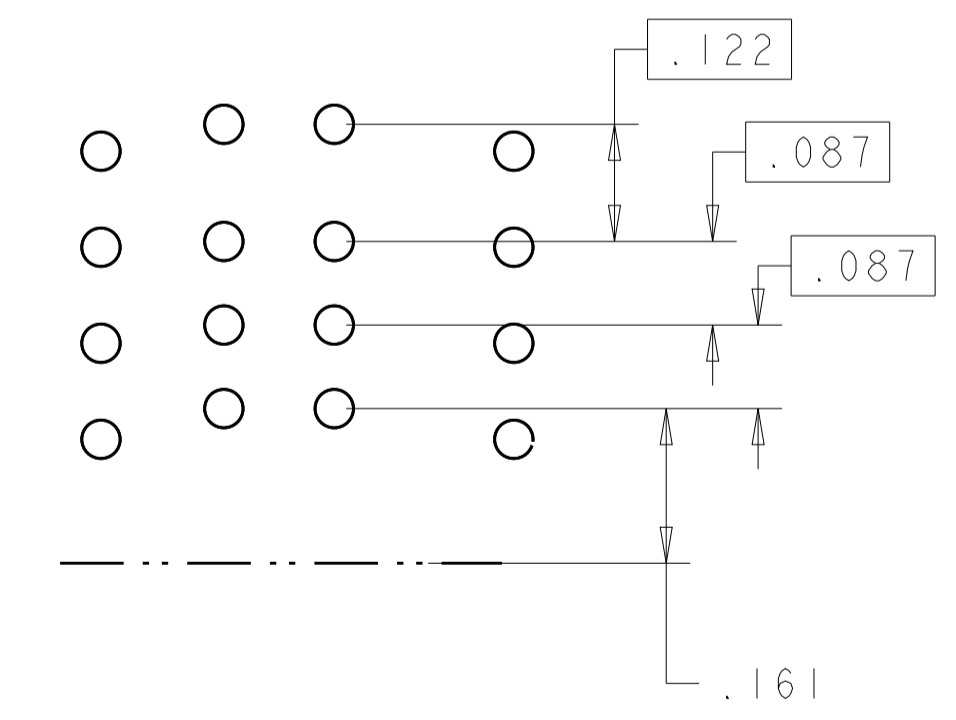
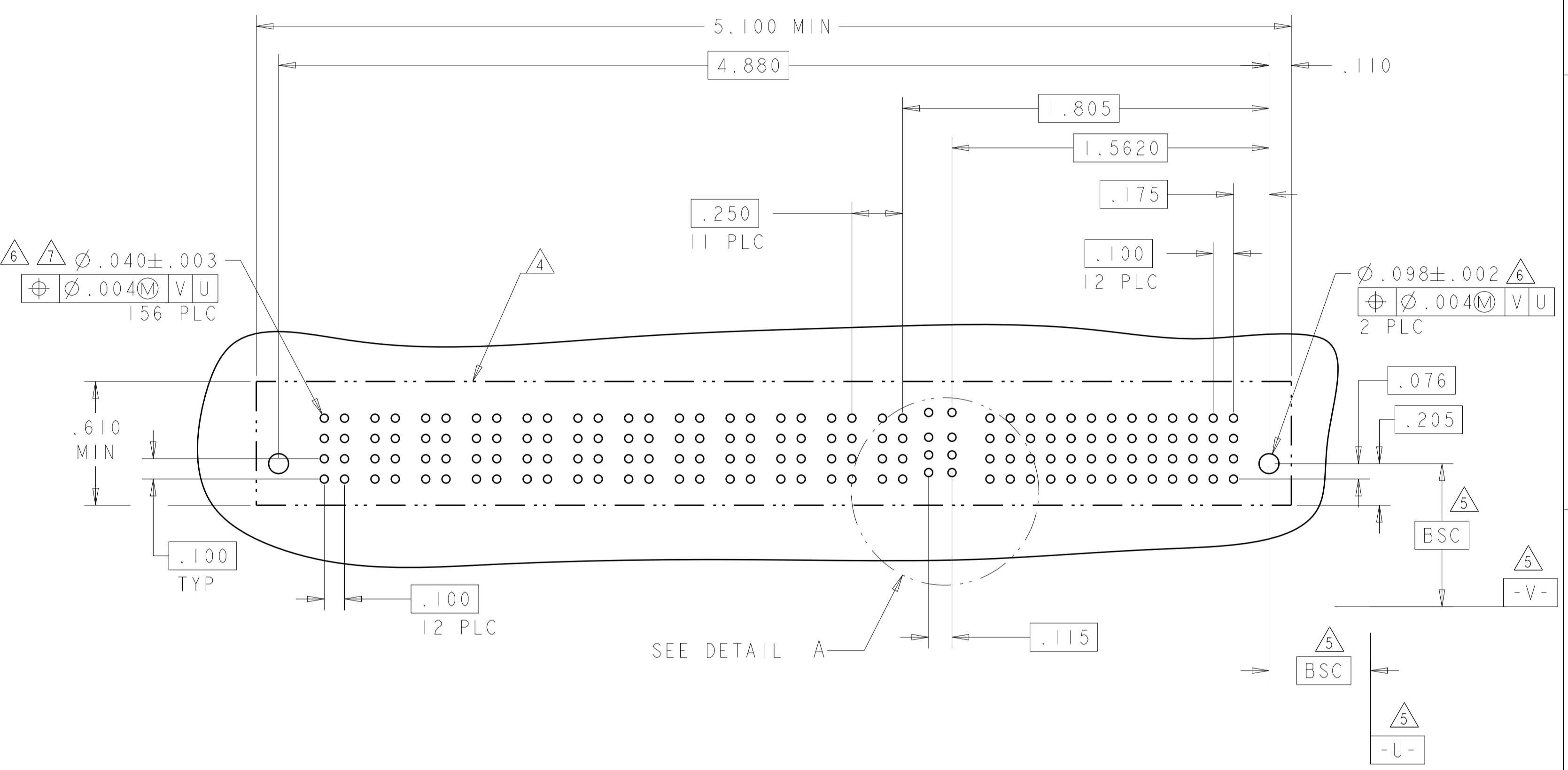
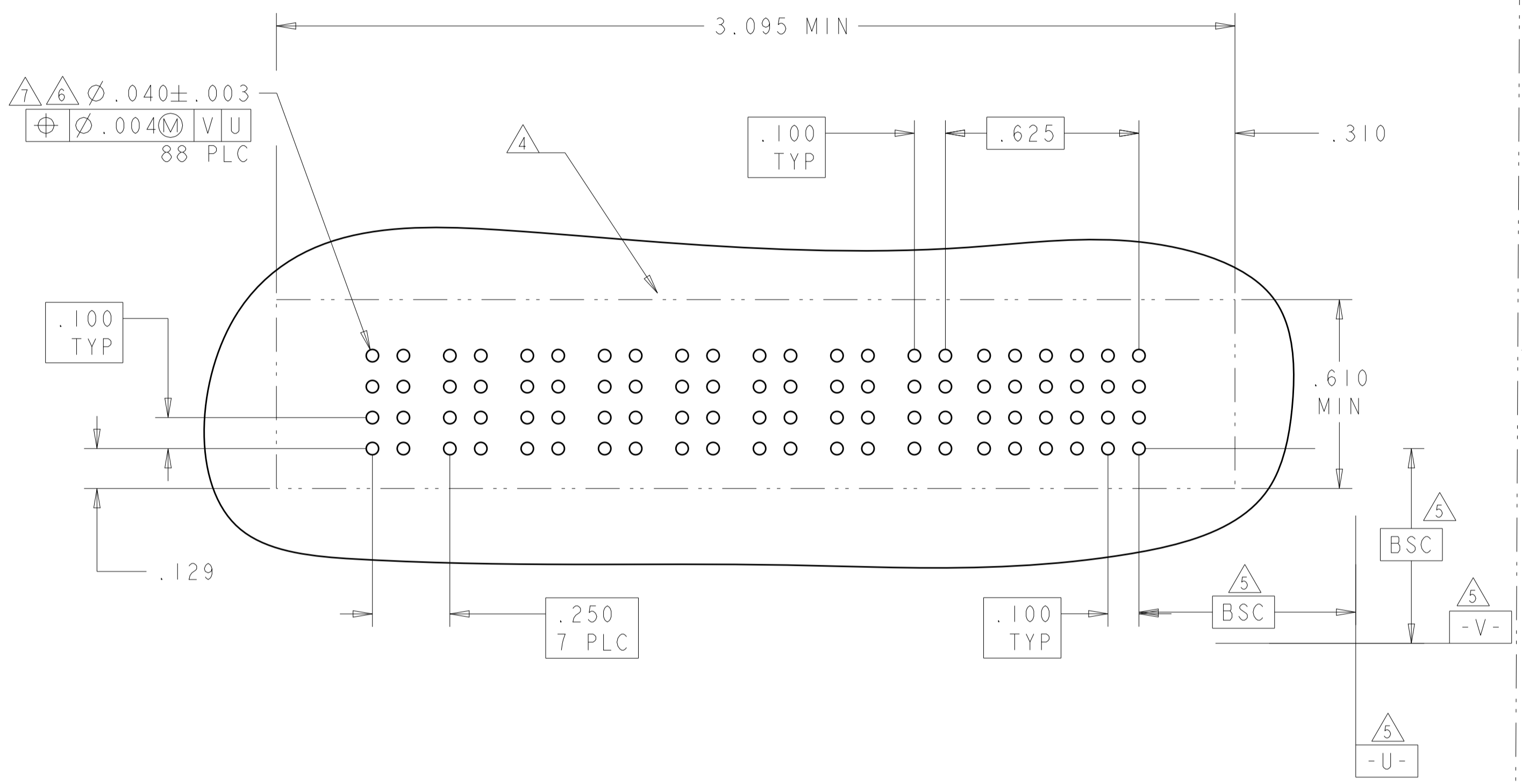
|                             |          |   |
|-----------------------------|----------|---|
| OWN: C. ZHOU                | 80802008 | NAME: VERVE GABE REVERSE SMD ASSEMBLY   |
| CHK: S. ZHAO                | 80802008 | W/ WITH ISH FOR TO LOUDED, PRESSURE FIT |
| APVD: S. YAO                |          | MULTI-MATERIAL RELEASE XLE              |
| PRODUCT SPEC: 108-2292      |          | SIZE: A1                                |
| APPLICATION SPEC: 114-13058 |          | CAGE CODE: 6450861                      |
| WEIGHT: -                   |          | SCALE: 4:1                              |
| CUSTOMER DRAWING            |          | SHEET 4 OF 11                           |

REV 66

| LOC | DIST | REVISIONS   |      |     |      |
|-----|------|-------------|------|-----|------|
| P   | LTN  | DESCRIPTION | DATE | DMN | APVD |
| -   | -    | SEE SHEET 1 | -    | -   | -    |

| PART NUMBER | ROWS             | POWER |    |    |    |    |    |    |    | SIGNAL |    |    |    |    |    |
|-------------|------------------|-------|----|----|----|----|----|----|----|--------|----|----|----|----|----|
|             |                  | P8    | P7 | P6 | P5 | P4 | P3 | P2 | P1 | 6      | 5  | 4  | 3  | 2  | 1  |
| 6450861-5   | D<br>C<br>B<br>A | GS    | GS | GS | GS | GS | GS | GS | GS | AP     | AP | AP | AP | AP | AP |
|             |                  | GS    | GS | GS | GS | GS | GS | GS | GS | AP     | AP | AP | AP | AP | AP |
|             |                  | GS    | GS | GS | GS | GS | GS | GS | GS | AP     | AP | AP | AP | AP | AP |
| 24S + 8P    |                  |       |    |    |    |    |    |    |    |        |    |    |    |    |    |

| PART NUMBER     | ROWS             | POWER |     |     |    |    |    |    |    |    |    |    |    | SIGNAL |     |     |    |    |    |    |    |    |    |    |    |    |    |    |    |
|-----------------|------------------|-------|-----|-----|----|----|----|----|----|----|----|----|----|--------|-----|-----|----|----|----|----|----|----|----|----|----|----|----|----|----|
|                 |                  | P12   | P11 | P10 | P9 | P8 | P7 | P6 | P5 | P4 | P3 | P2 | P1 | LP2    | LPI | 13  | 12 | 11 | 10 | 9  | 8  | 7  | 6  | 5  | 4  | 3  | 2  | 1  |    |
| 6450861-6       | D<br>C<br>B<br>A | GS    | GS  | GS  | GS | GS | GS | GS | GS | GS | GS | GS | GS | GS     | LS1 | LS1 | AP | AP | AP | AP | AP | AP | AP | AP | AP | AP | AP | AP | AP |
|                 |                  | GS    | GS  | GS  | GS | GS | GS | GS | GS | GS | GS | GS | GS | GS     | LS1 | LS1 | AP | AP | AP | AP | AP | AP | AP | AP | AP | AP | AP | AP | AP |
|                 |                  | GS    | GS  | GS  | GS | GS | GS | GS | GS | GS | GS | GS | GS | GS     | LS1 | LS1 | AP | AP | AP | AP | AP | AP | AP | AP | AP | AP | AP | AP | AP |
| 52S + 2LP + 12P |                  |       |     |     |    |    |    |    |    |    |    |    |    |        |     |     |    |    |    |    |    |    |    |    |    |    |    |    |    |



DETAIL A  
SCALE 5:1

|  |  |                  |           |  |
|--|--|------------------|-----------|--|
| THIS DRAWING IS A CONTROLLED DOCUMENT. |  | DMN<br>C. ZHOU   | 88MNR2008 | <b>STE</b> TE Connectivity               |
| DIMENSIONS:<br>INCHES                  |  | CHK<br>S. ZHAO   | 88MNR2008 |  |
| TOLERANCES UNLESS OTHERWISE SPECIFIED: |  | APVD<br>S. YAO   | NAME      | VERVIEW BARBERSCOMB ASSEMBLY             |
| 0 PLC ± .01                            |  | PRODUCT SPEC     | 108-2292  | W/ WITH ISH FOR TO LOUDEDSE, HRESSS FRHT |
| 1 PLC ± .01                            |  | APPLICATION SPEC | 114-13098 | MULTI-MELEM -MELEM XLE                   |
| 2 PLC ± .005                           |  | SIZE             | 114-13098 |  |
| 3 PLC ± .002                           |  | WEIGHT           | A100779   | C=6450861                                |
| 4 PLC ± .002                           |  | SCALE            | 4:1       | SHEET 5 OF 11                            |
| ANGLES ± .2°                           |  | CUSTOMER DRAWING |           | REV 66                                   |
| FINISH                                 |  |                  |           |  |





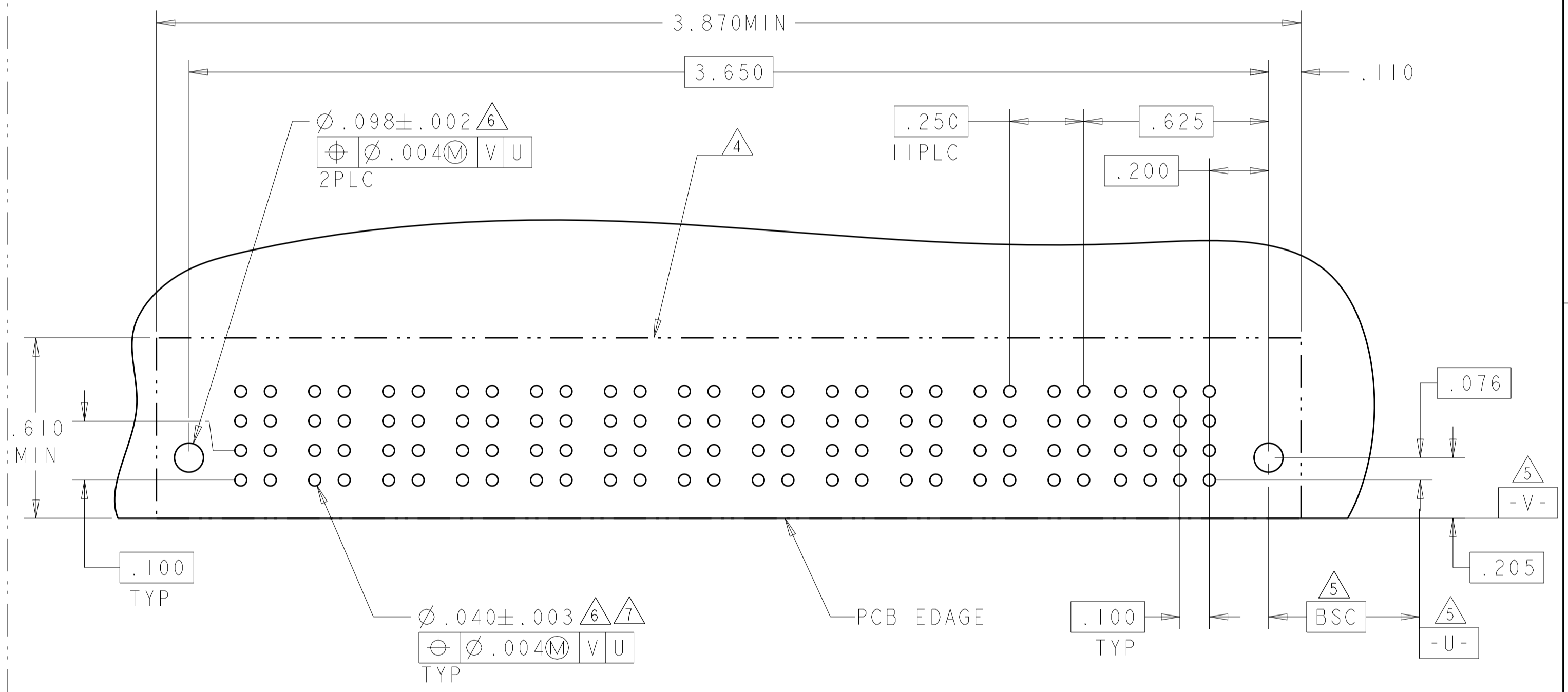
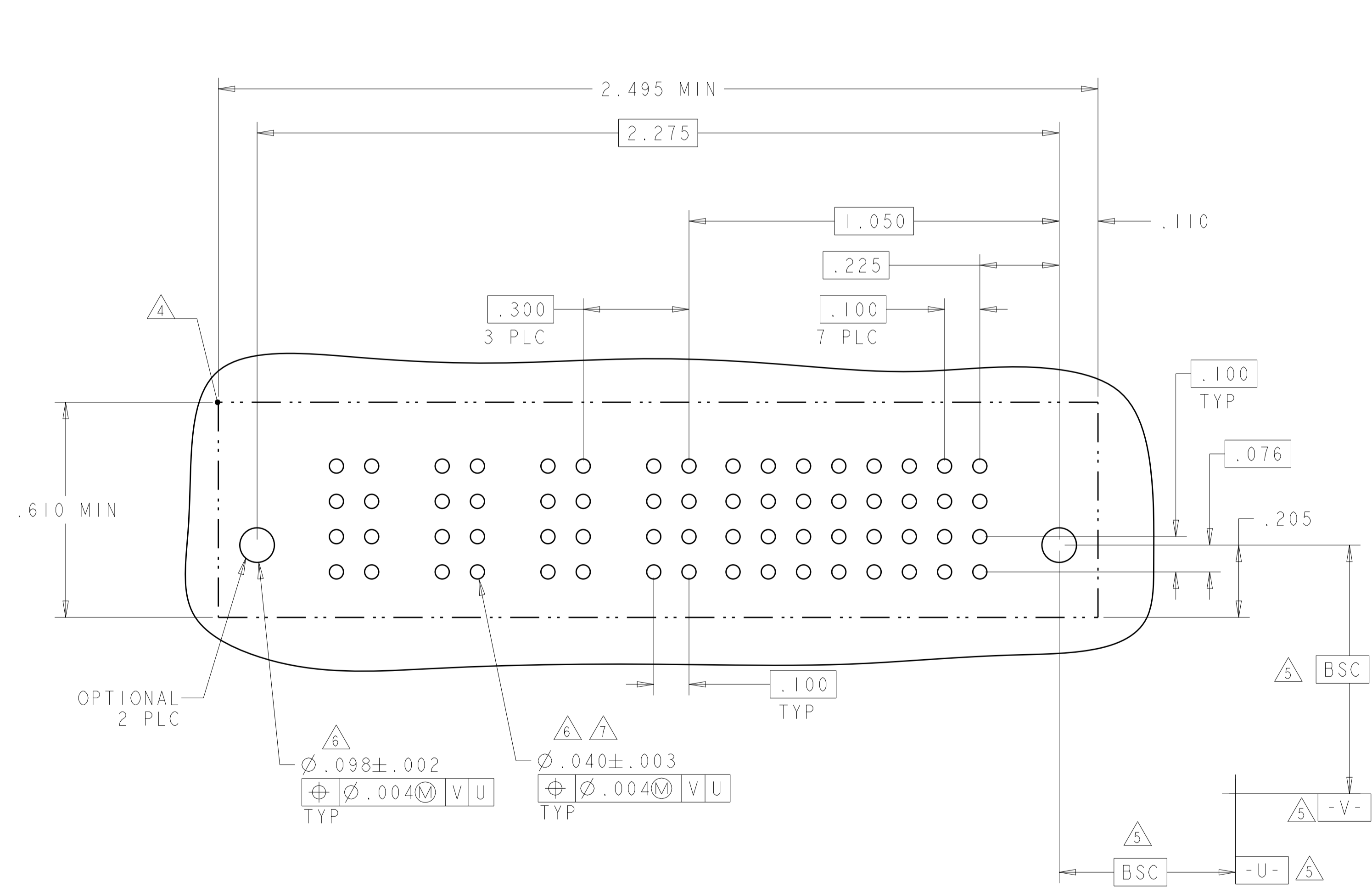
| LOC | DIST | REV | DATE | BY | CHK | APVD |
|-----|------|-----|------|----|-----|------|
| ES  | 00   |     |      |    |     |      |

| REVISIONS |      |    |      |
|-----------|------|----|------|
| REV       | DATE | BY | APVD |
| -         | -    | -  | -    |
| -         | -    | -  | -    |

| PART NUMBER | ROWS             | POWER |    |    |    | SIGNAL |    |    |    |    |    |    |    |    |
|-------------|------------------|-------|----|----|----|--------|----|----|----|----|----|----|----|----|
|             |                  | P4    | P3 | P2 | P1 | 8      | 7  | 6  | 5  | 4  | 3  | 2  | 1  |    |
| 1-6450861-2 | D<br>C<br>B<br>A | GP    | GP | GP | GP | AP     | AP | AP | AP | AP | AP | AP | AP | AP |
|             |                  | GP    | GP | GP | GP | AP     | AP | AP | AP | AP | AP | AP | AP |    |
|             |                  | GP    | GP | GP | GP | AP     | AP | AP | AP | AP | AP | AP | AP |    |
|             |                  | GP    | GP | GP | GP | AP     | AP | AP | AP | AP | AP | AP | AP |    |
| 32S + 4ACP  |                  |       |    |    |    |        |    |    |    |    |    |    |    |    |

| PART NUMBER | ROWS             | POWER |     |     |    |    |    |    |    |    |    |    |    | SIGNAL |    |    |    |
|-------------|------------------|-------|-----|-----|----|----|----|----|----|----|----|----|----|--------|----|----|----|
|             |                  | P12   | P11 | P10 | P9 | P8 | P7 | P6 | P5 | P4 | P3 | P2 | P1 | 4      | 3  | 2  | 1  |
| 1-6450861-3 | D<br>C<br>B<br>A | GS    | GS  | GS  | GS | GS | GS | GS | GS | GS | GS | GS | GS | GS     | GS | GS | GS |
|             |                  | GS    | GS  | GS  | GS | GS | GS | GS | GS | GS | GS | GS | GS | GS     | GS | GS | GS |
|             |                  | GS    | GS  | GS  | GS | GS | GS | GS | GS | GS | GS | GS | GS | GS     | GS | GS | GS |
|             |                  | GS    | GS  | GS  | GS | GS | GS | GS | GS | GS | GS | GS | GS | GS     | GS | GS | GS |
| 16S + 12P   |                  |       |     |     |    |    |    |    |    |    |    |    |    |        |    |    |    |



RECOMMENDED PCB LAYOUT

|  |  |                             |   |
|--|--|-----------------------------|---|
| THIS DRAWING IS A CONTROLLED DOCUMENT.   |  | OWN: C. ZHOU 20JUN2012      | <br>TE Connectivity   |
| DIMENSIONS: INCHES   |  | CHK: S. ZHAO 20JUN2012      |   |
| TOLERANCES UNLESS OTHERWISE SPECIFIED:   |  | APVD: -                     | NAME: VERTICAL RECEPTACLE ASSEMBLY WITH SHORT GUIDE, PRESS FIT MULTI-BEAM XLE |
| 0 PLC ±.<br>1 PLC ±.<br>2 PLC ±.<br>3 PLC ±.005<br>4 PLC ±.0020<br>ANGLES ±.020<br>FINISH: |  | PRODUCT SPEC: 108-2292      | SIZE: A1  |
| MATERIAL: -  |  | APPLICATION SPEC: 114-13251 | CAGE CODE: 6450861  |
|  |  | WEIGHT: -                   | RESTRICTED TO: -  |
|  |  | Customer Drawing            | SCALE: 1:1 SHEET: 8 OF 11 REV: G5   |

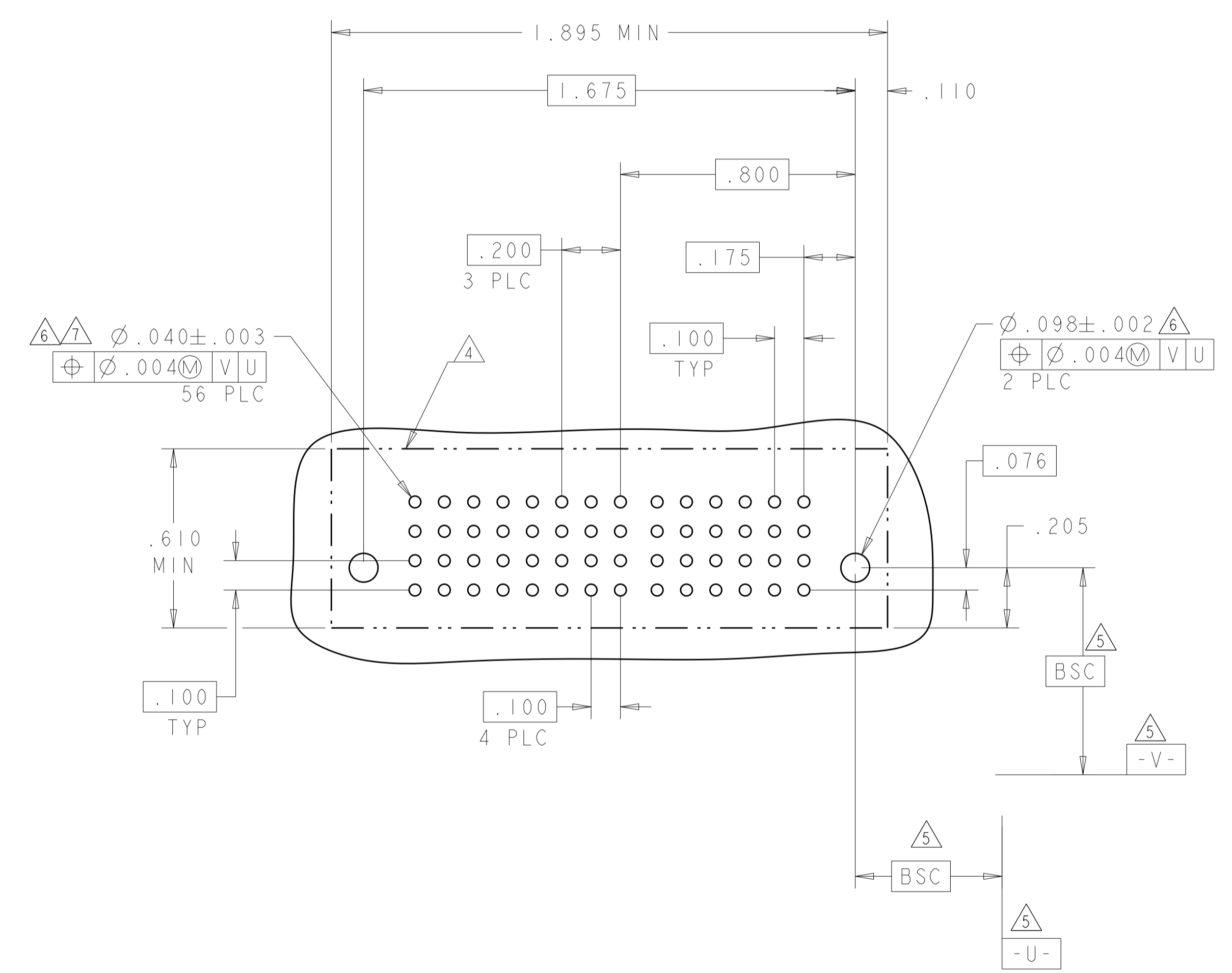
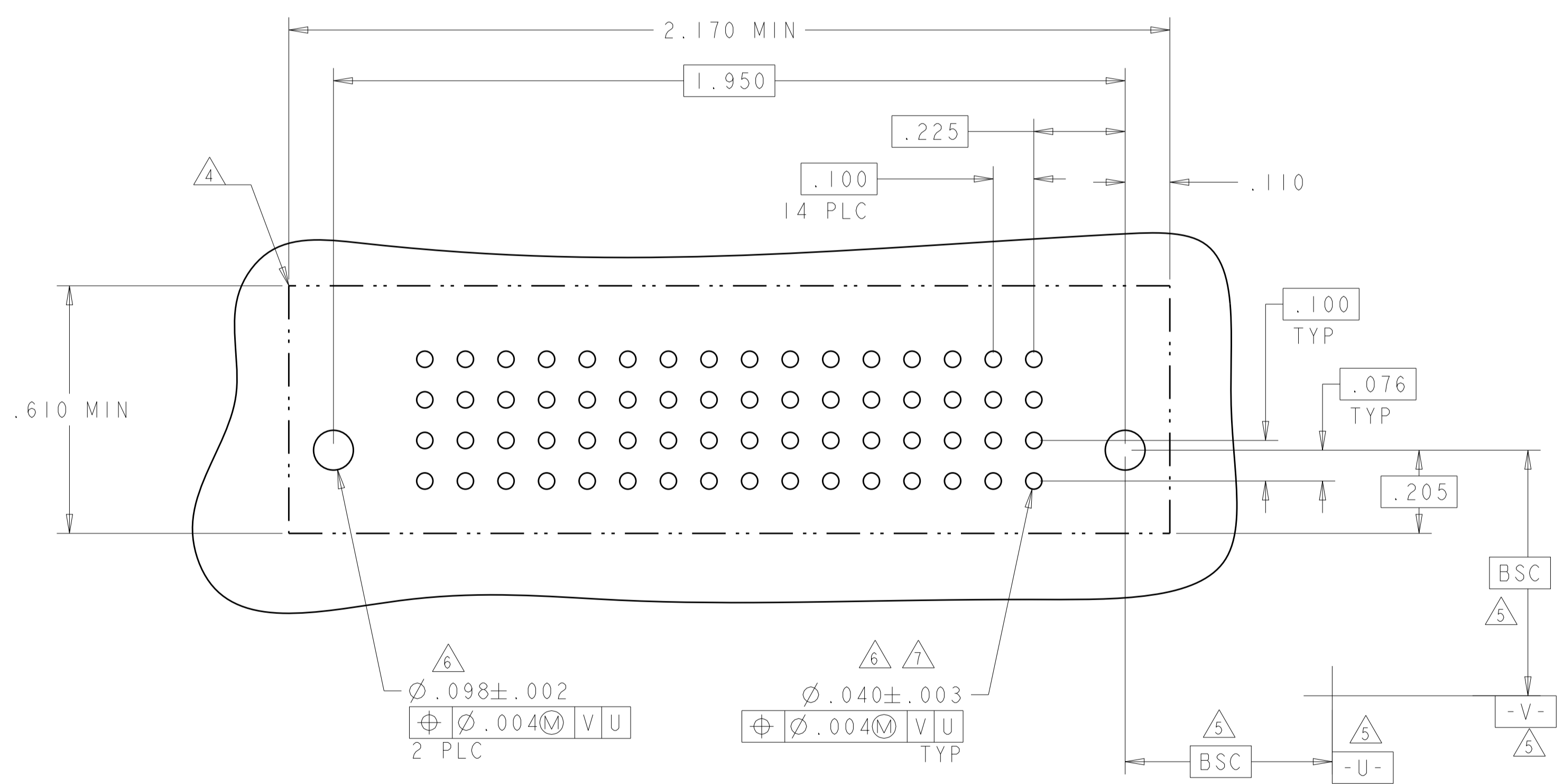


| LOC |    | DIST |     | REVISIONS   |      |     |      |
|-----|----|------|-----|-------------|------|-----|------|
| ES  | 00 | P    | LTN | DESCRIPTION | DATE | DWN | APVD |
|     |    | -    |     | SEE SHEET 1 |      |     |      |

F6

| PART NUMBER | ROWS | SIGNAL |    |    |    |    |    |    |    |    |    |    |    |    |    |    |    |
|-------------|------|--------|----|----|----|----|----|----|----|----|----|----|----|----|----|----|----|
|             |      | 16     | 15 | 14 | 13 | 12 | 11 | 10 | 9  | 8  | 7  | 6  | 5  | 4  | 3  | 2  | 1  |
| 1-6450861-4 | D    | BP     | BP | BP | BP | BP | BP | BP | BP | BP | BP | BP | BP | BP | BP | BP |    |
|             | C    | BP     | BP | BP | BP | BP | BP | BP | BP | BP | BP | BP | BP | BP | BP | BP |    |
|             | B    | BP     | BP | BP | BP | BP | BP | BP | BP | BP | BP | BP | BP | BP | BP | BP |    |
|             | A    | BP     | BP | BP | BP | BP | BP | BP | BP | BP | BP | BP | BP | BP | BP | BP |    |
| 64S         |      | HD     |    |    |    |    |    |    |    |    |    |    |    |    |    |    | HD |

| PART NUMBER | ROWS | POWER |    |    |    | SIGNAL |    |    |    |    |    |
|-------------|------|-------|----|----|----|--------|----|----|----|----|----|
|             |      | P4    | P3 | P2 | P1 | 6      | 5  | 4  | 3  | 2  | 1  |
| 1-6450861-5 | D    |       |    |    |    | AP     | AP | AP | AP | AP | AP |
|             | C    |       |    |    |    | AP     | AP | AP | AP | AP | AP |
|             | B    | GS    | GS | GS | GS | AP     | AP | AP | AP | AP | AP |
|             | A    | HD    |    |    |    | AP     | AP | AP | AP | AP | AP |
| 24S + 4P    |      |       |    |    |    |        |    |    |    |    |    |



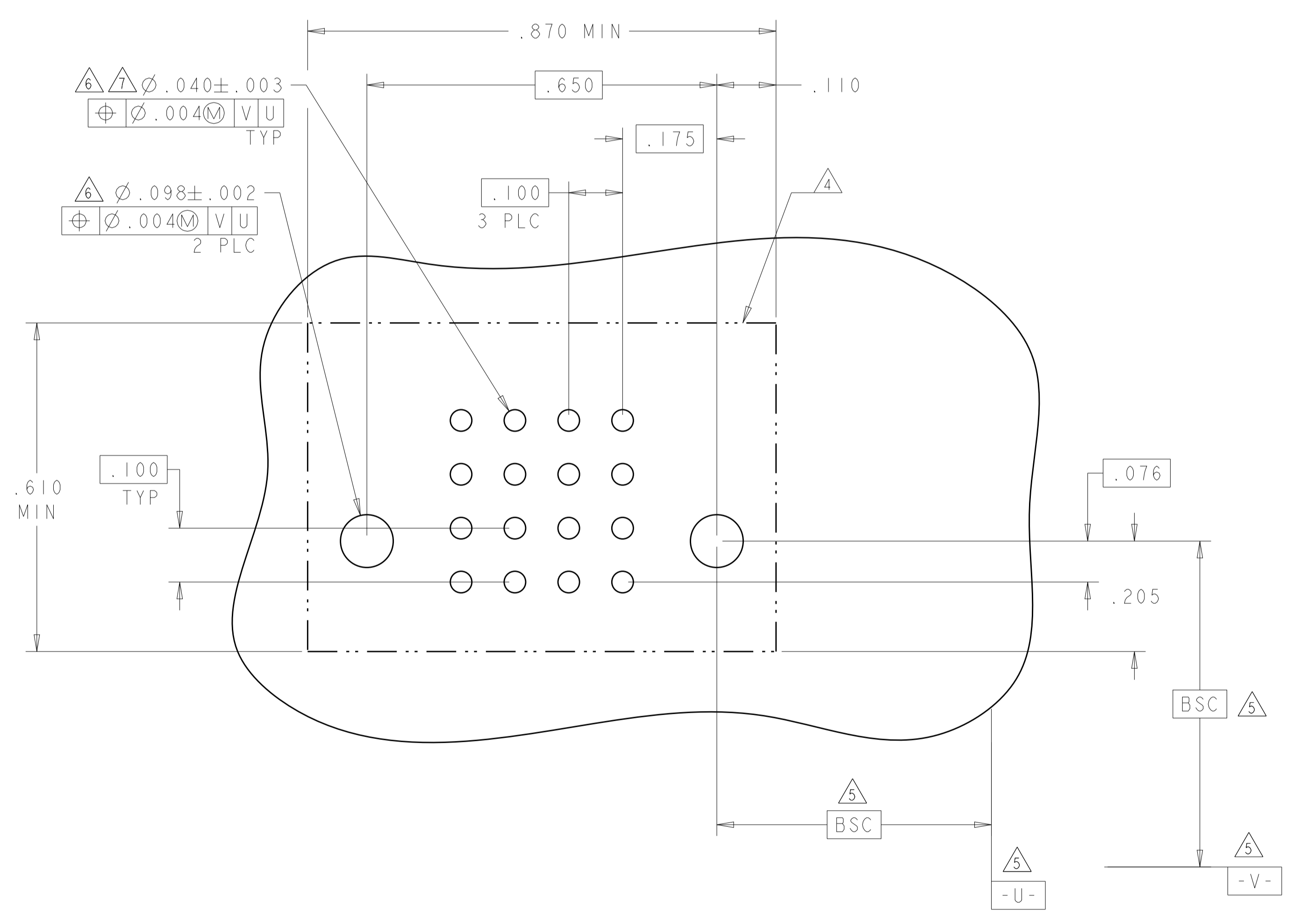
|  |  |                             |   |
|--|--|-----------------------------|---|
| THIS DRAWING IS A CONTROLLED DOCUMENT.   |  | DWN: C.ZHOU 20JUN2012       | <br>TE Connectivity   |
| DIMENSIONS: INCHES   |  | CHK: S.ZHAO 20JUN2012       |   |
| TOLERANCES UNLESS OTHERWISE SPECIFIED:   |  | APVD: -                     | NAME: VERTICAL RECEPTACLE ASSEMBLY WITH SHORT GUIDE, PRESS FIT MULTI-BEAM XLE |
| 0 PLC ±<br>1 PLC ±<br>2 PLC ±<br>3 PLC ±.005<br>4 PLC ±.0020<br>ANGLES ±.020<br>FINISH: #2 |  | PRODUCT SPEC: 108-2292      | RESTRICTED TO: -  |
| MATERIAL: -  |  | APPLICATION SPEC: 114-13251 | SIZE: A1  |
|  |  | WEIGHT: -                   | CAGE CODE: 6450861  |
|  |  | Customer Drawing            | SCALE: 1:1 SHEET 9 OF 11 REV: G5  |

| LOC |    | DIST |     | REVISIONS   |      |     |      |
|-----|----|------|-----|-------------|------|-----|------|
| ES  | 00 | P    | LTN | DESCRIPTION | DATE | DMN | APVD |
|     |    | -    |     | SEE SHEET 1 |      |     |      |

| PART NUMBER | ROWS | SIGNAL |    |    |    |
|-------------|------|--------|----|----|----|
|             |      | 4      | 3  | 2  | 1  |
| 1-6450861-6 | D    | AP     | AP | AP | AP |
|             | C    | AP     | AP | AP | AP |
|             | B    | AP     | AP | AP | AP |
|             | A    | AP     | AP | AP | AP |

16S

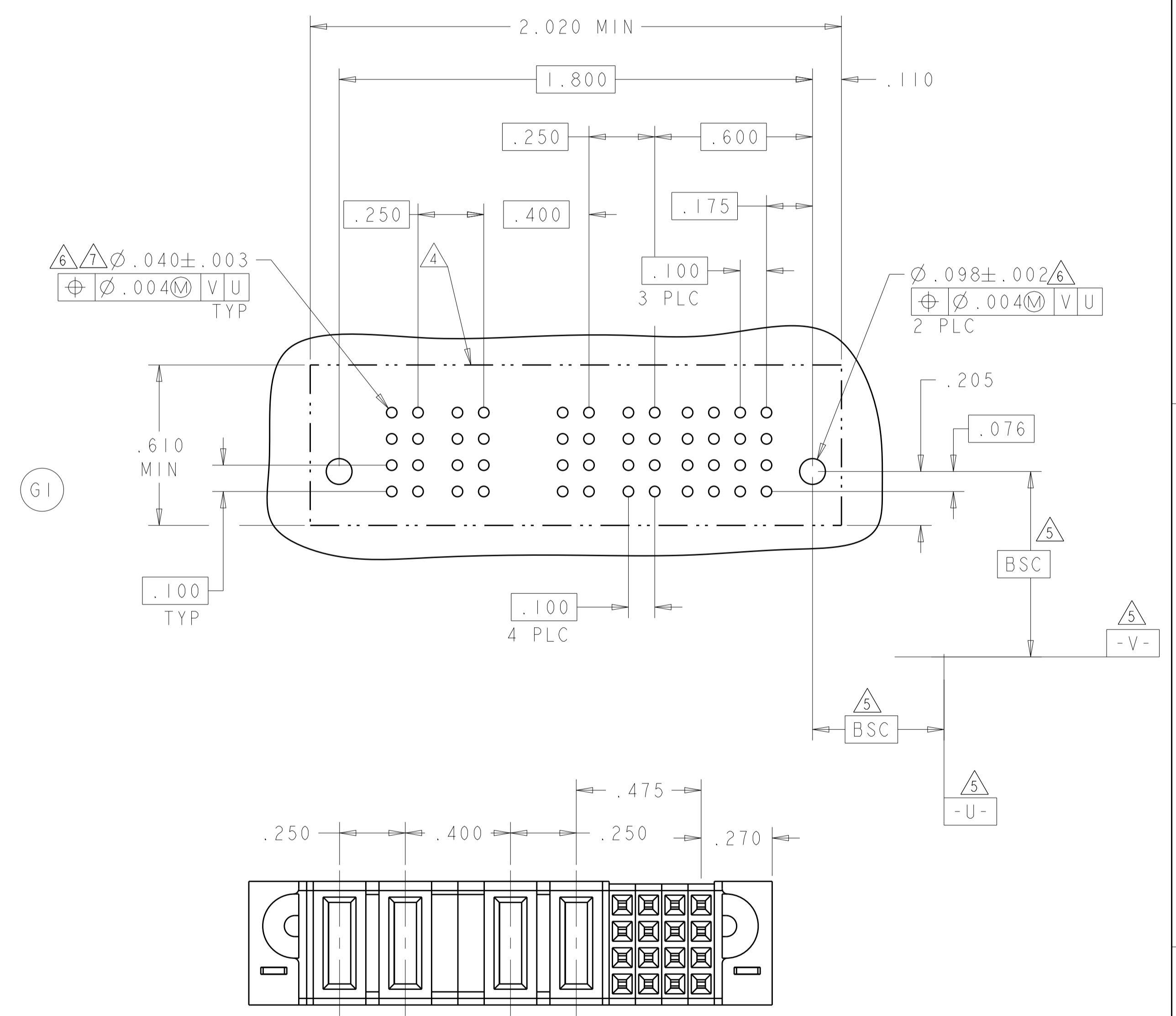
F9



| PART NUMBER | ROWS | POWER |    |   |    |    | SIGNAL |   |   |   |
|-------------|------|-------|----|---|----|----|--------|---|---|---|
|             |      | P4    | P3 | - | P2 | P1 | 4      | 3 | 2 | 1 |
| 1-6450861-7 | D    | VS    | VS | - | VS | VS | P      | P | P | P |
|             | C    | VS    | VS | - | VS | VS | P      | P | P | P |
|             | B    | VS    | VS | - | VS | VS | P      | P | P | P |

16S + 4P

NO CONTACT LOADED



PART 1-6450861-7

| HD   | HOLD DOWN                         |
|------|-----------------------------------|
| P    | SIGNAL PRESS FIT CONTACT .115"    |
| VS   | STD POWER PRESS FIT CONTACT .115" |
| CODE | TAIL LENGTH                       |

CONTACT TABLE

THIS DRAWING IS A CONTROLLED DOCUMENT. DWG: C.ZHOU 20JUN2012, CHK: S.ZHAO 20JUN2012, APVD: -

DIMENSIONS: INCHES. TOLERANCES UNLESS OTHERWISE SPECIFIED: 0 PLC ±, 1 PLC ±, 2 PLC ±, 3 PLC ±.005, 4 PLC ±, ANGLES ±.0020, FINISH: μm\*

PRODUCT SPEC: 108-2292, APPLICATION SPEC: 114-13251, WEIGHT: -

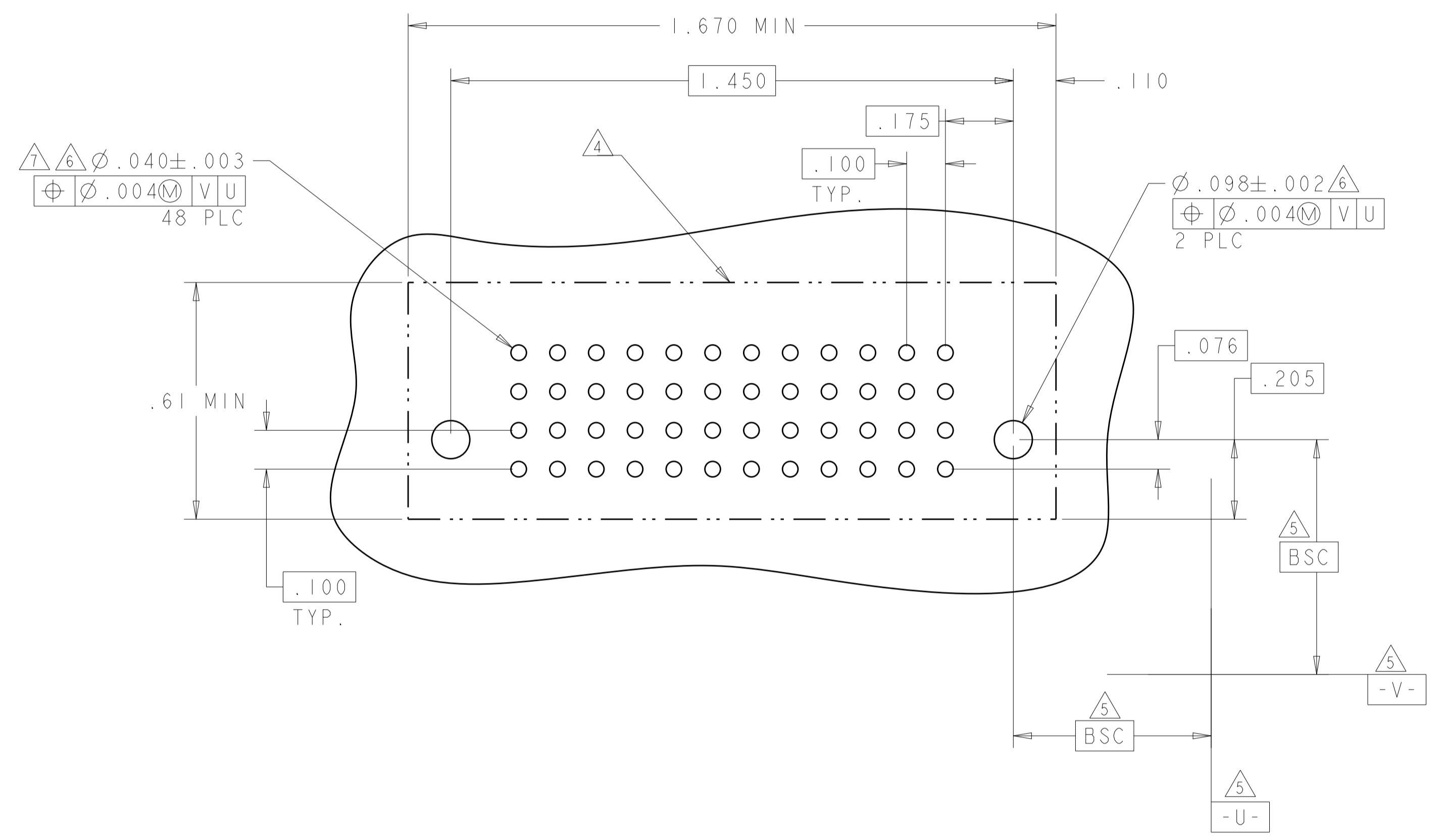
NAME: VERTICAL RECEPTACLE ASSEMBLY WITH SHORT GUIDE, PRESS FIT MULTI-BEAM XLE, SIZE: A1, CAGE CODE: 6450861, DRAWING NO: 100779, SCALE: 1:1, SHEET 10 OF 11, REV: G5

Customer Drawing

| LOC | DIST | REVISIONS   |      |     |      |
|-----|------|-------------|------|-----|------|
| P   | LTN  | DESCRIPTION | DATE | DMN | APVD |
| -   | -    | SEE SHEET 1 | -    | -   | -    |
|     |      |             |      |     |      |
|     |      |             |      |     |      |

| PART NUMBER | ROWS             | SIGNAL |    |    |    |    |    |    |    |    |    |    |    |
|-------------|------------------|--------|----|----|----|----|----|----|----|----|----|----|----|
|             |                  | 12     | 11 | 10 | 9  | 8  | 7  | 6  | 5  | 4  | 3  | 2  | 1  |
| 1-6450861-8 | D<br>C<br>B<br>A | AP     | AP | AP | AP | AP | AP | AP | AP | AP | AP | AP | AP |
|             |                  | AP     | AP | AP | AP | AP | AP | AP | AP | AP | AP | AP | AP |
|             |                  | AP     | AP | AP | AP | AP | AP | AP | AP | AP | AP | AP | AP |
|             |                  | AP     | AP | AP | AP | AP | AP | AP | AP | AP | AP | AP | AP |
| 48S         |                  | HD     |    |    |    |    |    |    |    |    |    |    | HD |

G5



|  |  |  |                        |                  |         |
|--|--|--|------------------------|------------------|---------|
| THIS DRAWING IS A CONTROLLED DOCUMENT. |  | DMN<br>C. ZHOU<br>CHK<br>S. ZHAO       | 20JUN2012<br>20JUN2012 | TE Connectivity  |         |
| DIMENSIONS:<br>INCHES                  |  | TOLERANCES UNLESS OTHERWISE SPECIFIED: |                        |                  |         |
|  |  | 0 PLC ±                                | 1 PLC ±                | 2 PLC ±          | 3 PLC ± |
|  |  | 4 PLC ±.005                            | 5 PLC ±.002            | PRODUCT SPEC     |         |
|  |  | ANGLES ±.2°                            | FINISH                 | APPLICATION SPEC |         |
| MATERIAL                               |  | WEIGHT                                 |                        | RESTRICTED TO    |         |
|  |  | Customer Drawing                       |                        | A100779C=6450861 |         |
|  |  | SCALE 1:1                              |                        | SHEET 11 OF 11   |         |
|  |  |  |                        | REV G5           |         |

Компания «Life Electronics» занимается поставками электронных компонентов импортного и отечественного производства от производителей и со складов крупных дистрибьюторов Европы, Америки и Азии.

С конца 2013 года компания активно расширяет линейку поставок компонентов по направлению коаксиальный кабель, кварцевые генераторы и конденсаторы (керамические, пленочные, электролитические), за счёт заключения дистрибьюторских договоров

Мы предлагаем:

- Конкурентоспособные цены и скидки постоянным клиентам.
- Специальные условия для постоянных клиентов.
- Подбор аналогов.
- Поставку компонентов в любых объемах, удовлетворяющих вашим потребностям.
- Приемлемые сроки поставки, возможна ускоренная поставка.
- Доставку товара в любую точку России и стран СНГ.
- Комплексную поставку.
- Работу по проектам и поставку образцов.
- Формирование склада под заказчика.
- Сертификаты соответствия на поставляемую продукцию (по желанию клиента).
- Тестирование поставляемой продукции.
- Поставку компонентов, требующих военную и космическую приемку.
- Входной контроль качества.
- Наличие сертификата ISO.

В составе нашей компании организован Конструкторский отдел, призванный помогать разработчикам, и инженерам.

Конструкторский отдел помогает осуществить:

- Регистрацию проекта у производителя компонентов.
- Техническую поддержку проекта.
- Защиту от снятия компонента с производства.
- Оценку стоимости проекта по компонентам.
- Изготовление тестовой платы монтаж и пусконаладочные работы.



Тел: +7 (812) 336 43 04 (многоканальный)

Email: [org@lifeelectronics.ru](mailto:org@lifeelectronics.ru)