

GENERAL DESCRIPTION

The SP330 is an advanced multiprotocol transceiver supporting RS-232, RS-485, and RS-422 serial standards and featuring a variable low voltage logic interface, down to 1.65V. Full operation requires only four external charge pump capacitors.

The RS-485/RS-232 mode pin selects RS-485 mode when high, and RS-232 mode when low. In RS-485 mode the HALF/FULL pin configures the transceiver as either half or full duplex.

The high speed drivers operate up to 20Mbps in RS-485/422 modes, and up to 1Mbps in RS-232 mode. All drivers can be slew limited to 250kbps in any mode to minimize electromagnetic interference (EMI) by setting the dedicated SLEW pin low.

All transmitter outputs and receiver inputs feature robust electrostatic discharge (ESD) protection to $\pm 15\text{kV}$ IEC 61000-4-2 Airgap, $\pm 15\text{kV}$ Human Body Model (HBM) and $\pm 8\text{kV}$ IEC 61000-4-2 Contact. Each receiver output has full fail-safe protection to avoid system lockup, oscillation, or indeterminate states by defaulting to logic-high output level when the inputs are open, shorted, or terminated but undriven. No external biasing resistors are required.

The RS-232 receiver inputs include a $5\text{k}\Omega$ pull-down to ground when in RS-232 mode. The RS-485/422 receiver inputs are high impedance ($>96\text{k}\Omega$), allowing up to 256 devices on a single communication bus (1/8th unit load).

The SP330 operates from a single power supply, either 3.3V or 5V, with low idle current. The shutdown mode consumes less than $1\mu\text{A}$ in low power standby operation with RS-232 receivers enabled.

FEATURES

- Robust ESD Protection:
 - $\pm 15\text{kV}$ IEC 61000-4-2 Air Gap Discharge
 - $\pm 8\text{kV}$ IEC 61000-4-2 Contact Discharge
 - $\pm 15\text{kV}$ Human Body Model (HBM)
- **20Mbps RS-485** and 1Mbps RS-232 Data Rates
- Pin-Selectable 250kbps Slew Limiting
- **Single Supply Operation from +3V to +5.5V**
- **1.65V to 5.5V Logic Interface V_L pin**
- 2 Drivers, 2 Receivers RS-232/V.28
- 1 Driver, 1 Receiver RS-485/422
 - Full or Half Duplex Configuration
 - 1/8th Unit Load, up to 256 receivers on bus
- RS-485/422 Enhanced Receiver Fail-safe for open, shorted, or terminated but idle inputs
- **10nA Shutdown Supply Current** (typical)
- **Small 24 TSSOP package**

TYPICAL APPLICATIONS

- Software Programmable Serial Ports (RS-232, RS-422, RS-485)
- Industrial and Single Board Computers
- Industrial and Process Control Equipment
- Point-Of-Sale Equipment
- HVAC Controls and Networking Equipment
- Building Security and Automation

ORDERING INFORMATION⁽¹⁾

| PART NUMBER | OPERATING TEMPERATURE RANGE | LEAD-FREE | PACKAGE | PACKAGING METHOD |
|----------------|-----------------------------|--------------------|--------------|------------------|
| SP330EEY-L | -40°C to +85°C | Yes ⁽²⁾ | 24-pin TSSOP | Tube |
| SP330EEY-L/TR | | | | Tape and Reel |
| SP330EEY-0A-EB | SP330E Evaluation Board | | | |

NOTES:

1. Refer to www.exar.com/SP330E for most up-to-date Ordering Information.
2. Visit www.exar.com for additional information on Environmental Rating.

ABSOLUTE MAXIMUM RATINGS

These are stress ratings only and functional operation of the device at these ratings or any other above those indicated in the operation sections to the specifications below is not implied. Exposure to absolute maximum rating conditions for extended periods of time may affect reliability and cause permanent damage to the device.

| | |
|--|-------------------|
| Supply Voltage V_{CC} | -0.3V to +6.0V |
| Logic Interface Voltage V_L | $V_L \leq V_{CC}$ |
| Voltage at TTL Input Pins | -0.3V to +6.0V |
| Receiver Input Voltage (from Ground) | $\pm 18V$ |
| Driver Output Voltage (from Ground) | $\pm 18V$ |
| Short Circuit Duration, TX out to Ground | Continuous |
| Storage Temperature Range | -65°C to +150°C |
| Lead Temperature (soldering, 10s) | +300°C |
| Power Dissipation 24-pin TSSOP (derate 26.0mW/°C above +70°C) | 900mW |

CAUTION:

ESD (ElectroStatic Discharge) sensitive device. Permanent damage may occur on unconnected devices subject to high energy electrostatic fields. Unused devices must be stored in conductive foam or shunts. Personnel should be properly grounded prior to handling this device. The protective foam should be discharged to the destination socket before devices are removed.

ESD RATINGS

| | |
|---|------------|
| HBM - Human Body Model (TX Output & RX Input Pins) | $\pm 15kV$ |
| HBM - Human Body Model (all other pins) | $\pm 3kV$ |
| IEC 61000-4-2 Airgap Discharge (TX Output & RX Input Pins) | $\pm 15kV$ |
| IEC 61000-4-2 Contact Discharge (TX Output & RX Input Pins) | $\pm 8kV$ |

ELECTRICAL CHARACTERISTICS
UNLESS OTHERWISE NOTED:
 $V_{CC} = +3.0V$ to $+5.5V$, $C1-C4 = 0.1\mu F$; $T_A = T_{MIN}$ to T_{MAX} . Typical values are at $V_L = V_{CC} = 3.3V$, $T_A = +25^\circ C$.

| SYMBOL | PARAMETERS | MIN. | TYP. | MAX. | UNITS | CONDITIONS |
|--|---------------------------------------|------------------|------------|-----------------|---------|---|
| DC CHARACTERISTICS | | | | | | |
| I_{CC} | Supply Current (RS-232) | | 1 | 2.5 | mA | No load, Idle inputs, RS-485/RS-232 = 0V |
| I_{CC} | Supply Current (RS-485/422) | | 1.8 | 4.5 | mA | No load, Idle inputs, RS-485/RS-232 = V_{CC} |
| I_{CC} | Vcc Shutdown Current | | 0.01 | 1 | μA | $\overline{SHDN} = 0V$, Receiver inputs open or grounded |
| TRANSMITTER and LOGIC INPUTS (PINS 11 - 14 & 18 - 20) | | | | | | |
| V_{IL} | Logic Input Voltage Low | | | $\frac{V_L}{3}$ | V | |
| V_{IH} | Logic Input Voltage High | $\frac{2V_L}{3}$ | | | V | |
| I_{INL} | Logic Input Leakage Current | | ± 0.01 | ± 1 | μA | |
| I_{INPD} | Logic Input Pulldown Current | | 10 | 50 | μA | \overline{RE} pin 18, $V_{IN} = V_L$ |
| V_{HYS} | Logic Input Hysteresis | | 200 | | mV | |
| RS-232 and RS-485/422 RECEIVER OUTPUTS (PINS 8 & 9) | | | | | | |
| V_{OL} | Receiver Output Voltage Low | | | 0.4 | V | $I_{OUT} = 1.5mA$ |
| V_{OH} | Receiver Output Voltage High | $V_L - 0.6$ | | | V | $I_{OUT} = -1.5mA$ |
| I_{OSS} | Receiver Output Short Circuit Current | | ± 20 | ± 85 | mA | $0 \leq V_O \leq V_L$ |
| I_{OZ} | Receiver Output Leakage Current | | ± 0.05 | ± 1 | μA | $0 \leq V_O \leq V_L$, Receivers disabled |

ELECTRICAL CHARACTERISTICS (Continued)

UNLESS OTHERWISE NOTED:

 $V_{CC} = +3.0V$ to $+5.5V$, $C1-C4 = 0.1\mu F$; $T_A = T_{MIN}$ to T_{MAX} . Typical values are at $V_{CC} = 3.3V$, $T_A = +25^\circ C$.

| SYMBOL | PARAMETERS | MIN. | TYP. | MAX. | UNITS | CONDITIONS |
|---|------------------------------|-----------|-----------|-----------|-----------|--|
| RS-232 SINGLE-ENDED RECEIVER INPUTS (PINS 16 & 17) | | | | | | |
| V_{IN} | Input Voltage Range | -15 | | +15 | V | |
| V_{IL} | Input Threshold Low | 0.6 | 1.2 | | V | $V_{CC} = 3.3V$ |
| | | 0.8 | 1.5 | | V | $V_{CC} = 5.0V$ |
| V_{IH} | Input Threshold High | | 1.5 | 2.0 | V | $V_{CC} = 3.3V$ |
| | | | 1.8 | 2.4 | V | $V_{CC} = 5.0V$ |
| V_{HYS} | Input Hysteresis | | 0.5 | | V | |
| R_{IN} | Input Resistance | 3 | 5 | 7 | $k\Omega$ | $-15V \leq V_{IN} \leq +15V$ |
| RS-232 SINGLE-ENDED TRANSMITTER OUTPUTS (PINS 6 & 7) | | | | | | |
| V_{OUT} | Output Voltage Swing | ± 5.0 | ± 5.5 | | V | Outputs loaded with $3k\Omega$ to Gnd |
| R_{OFF} | Output Power Off Impedance | 300 | 10M | | Ω | $V_{CC} = 0V$, $V_{OUT} = \pm 2V$ |
| I_{SC} | Output Short Circuit Current | | ± 30 | ± 60 | mA | $V_{OUT} = 0V$ |
| I_O | Output Leakage Current | | | ± 125 | μA | $\overline{SHDN} = 0V$, $V_{OUT} = \pm 9V$, $V_{CC} = 0V$ or $5.5V$ |

ELECTRICAL CHARACTERISTICS (Continued)
UNLESS OTHERWISE NOTED:
 $V_{CC} = +3.0V$ to $+5.5V$, $C1-C4 = 0.1\mu F$; $T_A = T_{MIN}$ to T_{MAX} . Typical values are at $V_{CC} = 3.3V$, $T_A = +25^\circ C$.

| SYMBOL | PARAMETERS | MIN. | TYP. | MAX. | UNITS | CONDITIONS |
|--|--|------|------|-----------|-----------|--|
| RS-485/422 DIFFERENTIAL RECEIVER INPUTS (A,B) | | | | | | |
| R_{IN} | Receiver Input Resistance | 96 | | | $k\Omega$ | $-7V \leq V_{CM} \leq +12V$ |
| I_{IN} | Receiver Input Current | | | 125 | μA | $V_{IN} = +12V$ |
| | | | | -100 | μA | $V_{IN} = -7V$ |
| V_{TH} | Receiver Differential Threshold Voltage | -200 | -125 | -50 | mV | $-7V \leq V_{CM} \leq +12V$ |
| ΔV_{TH} | Receiver Input Hysteresis | | 25 | | mV | |
| RS-485/422 DIFFERENTIAL DRIVER OUTPUTS (Y, Z) | | | | | | |
| V_{OD} | Differential Driver Output | 1.5 | | V_{CC} | V | $R_L = 54\Omega$ (RS-485), Figure 4 |
| | | 1.5 | | V_{CC} | V | $-7V \leq V_{CM} \leq +12V$, Figure 5 |
| | | 2 | | V_{CC} | V | $R_L = 100\Omega$ (RS-422), Figure 4 |
| $ \Delta V_{OD} $ | Change In Magnitude of Differential Output Voltage | | | 0.2 | V | $R_L = 54\Omega$ or 100Ω , Figure 4 |
| V_{CM} | Driver Common Mode Output Voltage | | | 3 | V | $R_L = 54\Omega$ or 100Ω , Figure 4 |
| $ \Delta V_{CM} $ | Change In Magnitude of Common Mode Output Voltage | | | 0.2 | V | $R_L = 54\Omega$ or 100Ω , Figure 4 |
| I_{OSD} | Driver Output Short Circuit Current | | | ± 250 | mA | $-7V \leq V_Y$ or $V_Z \leq +12V$, Figure 6 |
| I_O | Driver Output Leakage Current | | | ± 125 | μA | $DE = 0V$ or $\overline{SHDN} = 0V$, V_Y or $V_Z = -7V$ or $+12V$, $V_{CC} = 0V$ or $5.5V$ |

TIMING CHARACTERISTICS

UNLESS OTHERWISE NOTED:

$V_{CC} = +3.0V$ to $+5.5V$, $C1-C4 = 0.1\mu F$; $T_A = T_{MIN}$ to T_{MAX} . Typical values are at $V_{CC} = 3.3V$, $T_A = +25^\circ C$.

| SYMBOL | PARAMETERS | MIN. | TYP. | MAX. | UNITS | CONDITIONS |
|---|---|------|------|------|------------|--|
| ALL MODES | | | | | | |
| t_{ENABLE} | Enable from Shutdown | | 1000 | | ns | |
| $t_{SHUTDOWN}$ | Enable to Shutdown | | 1000 | | ns | |
| RS-232, DATA RATE = 250kbps ($\overline{SLEW} = 0V$), ONE TRANSMITTER SWITCHING | | | | | | |
| | Maximum Data Rate | 250 | | | kbps | $R_L = 3k\Omega$, $C_L = 1000pF$ |
| t_{RHL}, t_{RLH} | Receiver Propagation Delay | | 100 | | ns | $C_L = 150pF$, Figure 7 |
| $ t_{RHL}-t_{RLH} $ | Receiver Propagation Delay Skew | | | 100 | ns | |
| t_{DHL}, t_{DLH} | Driver Propagation Delay | | 1400 | | ns | $R_L = 3k\Omega$, $C_L = 2500pF$, Figure 8 |
| $ t_{DHL}-t_{DLH} $ | Driver Propagation Delay Skew | | | 600 | ns | |
| t_{SHL}, t_{SLH} | Transition Region Slew Rate from +3.0V to -3.0V or -3.0V to +3.0V | 6 | | 30 | V/ μs | $V_{CC} = +3.3V$, $R_L = 3k\Omega$ to $7k\Omega$, $C_L = 150pF$ to $2500pF$, $T_A = 25^\circ C$, Figure 8 |
| t_{SHL}, t_{SLH} | Transition Region Slew Rate from +3.0V to -3.0V or -3.0V to +3.0V | 4 | | 30 | V/ μs | $V_{CC} = +3.3V$, $R_L = 3k\Omega$ to $7k\Omega$, $C_L = 150pF$ to $2500pF$, Figure 8 |
| RS-232, DATA RATE = 1Mbps ($\overline{SLEW} = V_{CC}$), ONE TRANSMITTER SWITCHING | | | | | | |
| | Maximum Data Rate | 1 | | | Mbps | $R_L = 3k\Omega$, $C_L = 250pF$ |
| t_{RHL}, t_{RLH} | Receiver Propagation Delay | | 100 | | ns | $C_L = 150pF$, Figure 7 |
| $ t_{RHL}-t_{RLH} $ | Receiver Propagation Delay Skew | | | 100 | ns | |
| t_{DHL}, t_{DLH} | Driver Propagation Delay | | 300 | | ns | $R_L = 3k\Omega$, $C_L = 1000pF$, Figure 8 |
| $ t_{DHL}-t_{DLH} $ | Driver Propagation Delay Skew | | | 150 | ns | |
| t_{SHL}, t_{SLH} | Transition Region Slew Rate from +3.0V to -3.0V or -3.0V to +3.0V | 13 | | 150 | V/ μs | $V_{CC} = +3.3V$, $R_L = 3k\Omega$ to $7k\Omega$, $C_L = 150pF$ to $1000pF$, Figure 8 |
| t_{SHL}, t_{SLH} | Transition Region Slew Rate from +3.0V to -3.0V or -3.0V to +3.0V | 24 | | 150 | V/ μs | $V_{CC} = +3.3V$, $R_L = 3k\Omega$ to $7k\Omega$, $C_L = 150pF$ to $1000pF$, $T_A = 25^\circ C$, Figure 8 |

TIMING CHARACTERISTICS (Continued)
UNLESS OTHERWISE NOTED:
 $V_{CC} = +3.0V$ to $+5.5V$, $C1-C4 = 0.1\mu F$; $T_A = T_{MIN}$ to T_{MAX} . Typical values are at $V_{CC} = 3.3V$, $T_A = +25^\circ C$.

| SYMBOL | PARAMETERS | MIN. | TYP. | MAX. | UNITS | CONDITIONS |
|---|---------------------------------|------|------|------|-------|--|
| RS-485/RS-422, DATA RATE = 250kbps ($\overline{SLEW} = 0V$), ONE TRANSMITTER SWITCHING | | | | | | |
| | Maximum Data Rate | 250 | | | kbps | $R_L = 54\Omega$, $C_L = 50pF$ |
| t_{RPHL} , t_{RPLH} | Receiver Propagation Delay | | 50 | 150 | ns | $C_L = 15pF$, Figure 9 |
| $ t_{RPHL} - t_{RPLH} $ | Receiver Propagation Delay Skew | | | 10 | ns | |
| t_{DPHL} , t_{DPLH} | Driver Propagation Delay | | 500 | 1000 | ns | $R_L = 54\Omega$, $C_L = 50pF$, Figure 10 |
| $ t_{DPHL} - t_{DPLH} $ | Driver Propagation Delay Skew | | | 100 | ns | |
| t_{DR} , t_{DF} | Driver Rise and Fall Time | 300 | 650 | 1200 | ns | |
| RS-485/RS-422, DATA RATE = 20Mbps ($\overline{SLEW} = V_{CC}$), ONE TRANSMITTER SWITCHING | | | | | | |
| | Maximum Data Rate | 20 | | | Mbps | $R_L = 54\Omega$, $C_L = 50pF$ |
| t_{RPHL} , t_{RPLH} | Receiver Propagation Delay | | 50 | 150 | ns | $C_L = 15pF$, Figure 9 |
| $ t_{RPHL} - t_{RPLH} $ | Receiver Propagation Delay Skew | | | 10 | ns | |
| t_{DPHL} , t_{DPLH} | Driver Propagation Delay | | 30 | 100 | ns | $R_L = 54\Omega$, $C_L = 50pF$, Figure 10 |
| $ t_{DPHL} - t_{DPLH} $ | Driver Propagation Delay Skew | | | 10 | ns | |
| t_{DR} , t_{DF} | Driver Rise and Fall Time | | 10 | 20 | ns | |
| RS-485/RS-422, DATA RATE = 20Mbps ($\overline{SLEW} = V_{CC}$), ONE TRANSMITTER SWITCHING | | | | | | |
| t_{RZH} , t_{RZL} | Receiver Output Enable Time | | | 200 | ns | $C_L = 15pF$, Figure 11 |
| t_{RHZ} , t_{RLZ} | Receiver Output Disable Time | | | 200 | ns | |
| t_{DZH} , t_{DZL} | Driver Output Enable Time | | | 200 | ns | $R_L = 500\Omega$, $C_L = 50pF$, Figure 12 |
| t_{DHZ} , t_{DLZ} | Driver Output Disable Time | | | 200 | ns | |

PIN DESCRIPTIONS

| Pin | Name | RS-232 | RS-485 Full Duplex | RS-485 Half Duplex |
|-----|--------------------------|---|---------------------------|----------------------|
| 1 | C1+ | Charge pump cap 1 positive lead, 0.1µF | | |
| 2 | VL | Logic Supply for TTL Inputs and Outputs, $V_L = +1.65V$ to $+5.5V$ or tie to V_{CC} | | |
| 3 | VCC | Main Supply, $V_{CC} = +3.0V$ to $+5.5V$, bypass to ground with 1.0µF | | |
| 4 | C1- | Charge pump cap 1 negative lead | | |
| 5 | GND | Ground | | |
| 6 | T1OUT, B/Z | Transmitter 1 Output | Z Driver Neg Output | B/Z Neg Input/Output |
| 7 | T2OUT, A/Y | Transmitter 2 Output | Y Driver Pos Output | A/Y Pos Input/Output |
| 8 | R1OUT | Receiver 1 Output | X | X |
| 9 | R2OUT, RO | Receiver 2 Output | Receiver TTL Output | Receiver TTL Output |
| 10 | | | | |
| 11 | $\overline{\text{SHDN}}$ | Low power shutdown mode when low | | |
| 12 | $\overline{\text{SLEW}}$ | Data rate limited to 250kbps when low | | |
| 13 | RS-485/RS-232 | 0 | 1 | 1 |
| 14 | HALF/FULL | X | 0 | 1 |
| 15 | GND | Ground | | |
| 16 | R2IN, A | Receiver 2 Input | A Pos Receiver Input | X |
| 17 | R1IN, B | Receiver 1 Input | B Neg Receiver Input | X |
| 18 | $\overline{\text{RE}}$ | X | Receiver enabled when low | |
| 19 | T2IN, DE | Transmitter 2 Input | Driver enabled when high | |
| 20 | T1IN, DI | Transmitter 1 Input | Driver TTL Input | |
| 21 | V- | Charge pump negative supply, 0.1µF from ground | | |
| 22 | C2- | Charge pump cap 2 negative lead | | |
| 23 | C2+ | Charge pump cap 2 positive lead, 0.1µF | | |
| 24 | V+ | Charge pump positive supply, 0.1µF to ground | | |

SUGGESTED DB9 CONNECTOR PINOUT

| DB9 Pin | RS-232 | RS-485 Full Duplex | RS-485 Half Duplex |
|---------|--------|--------------------|--------------------|
| 1 | | | |
| 2 | RXD | RX+ | |
| 3 | TXD | TX- | Data- |
| 4 | | | |
| 5 | Ground | | |
| 6 | | | |
| 7 | RTS | TX+ | Data+ |
| 8 | CTS | RX- | |
| 9 | | | |

BLOCK DIAGRAMS

FIGURE 1. RS-232 MODE

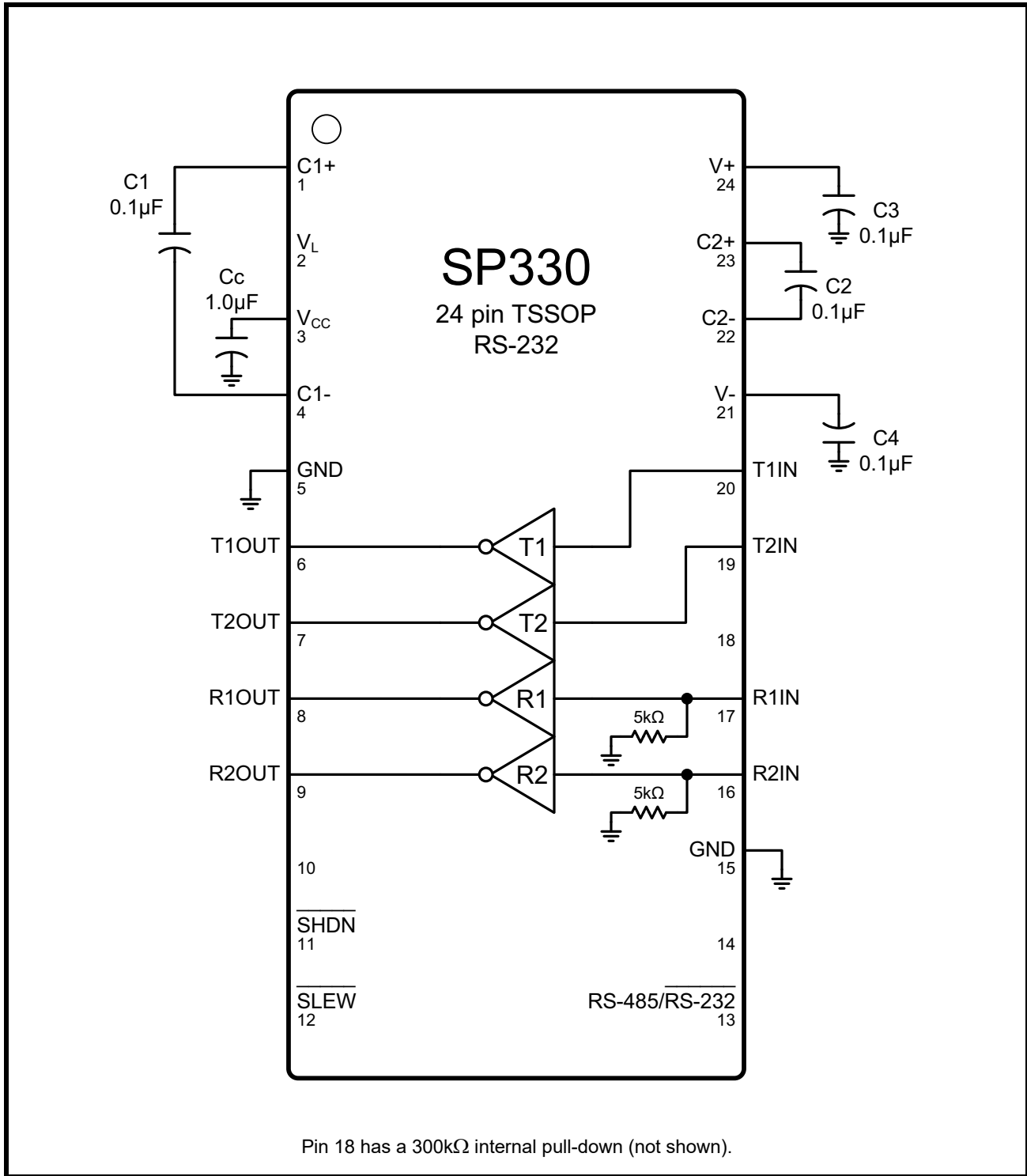


FIGURE 2. RS-485 FULL DUPLEX MODE

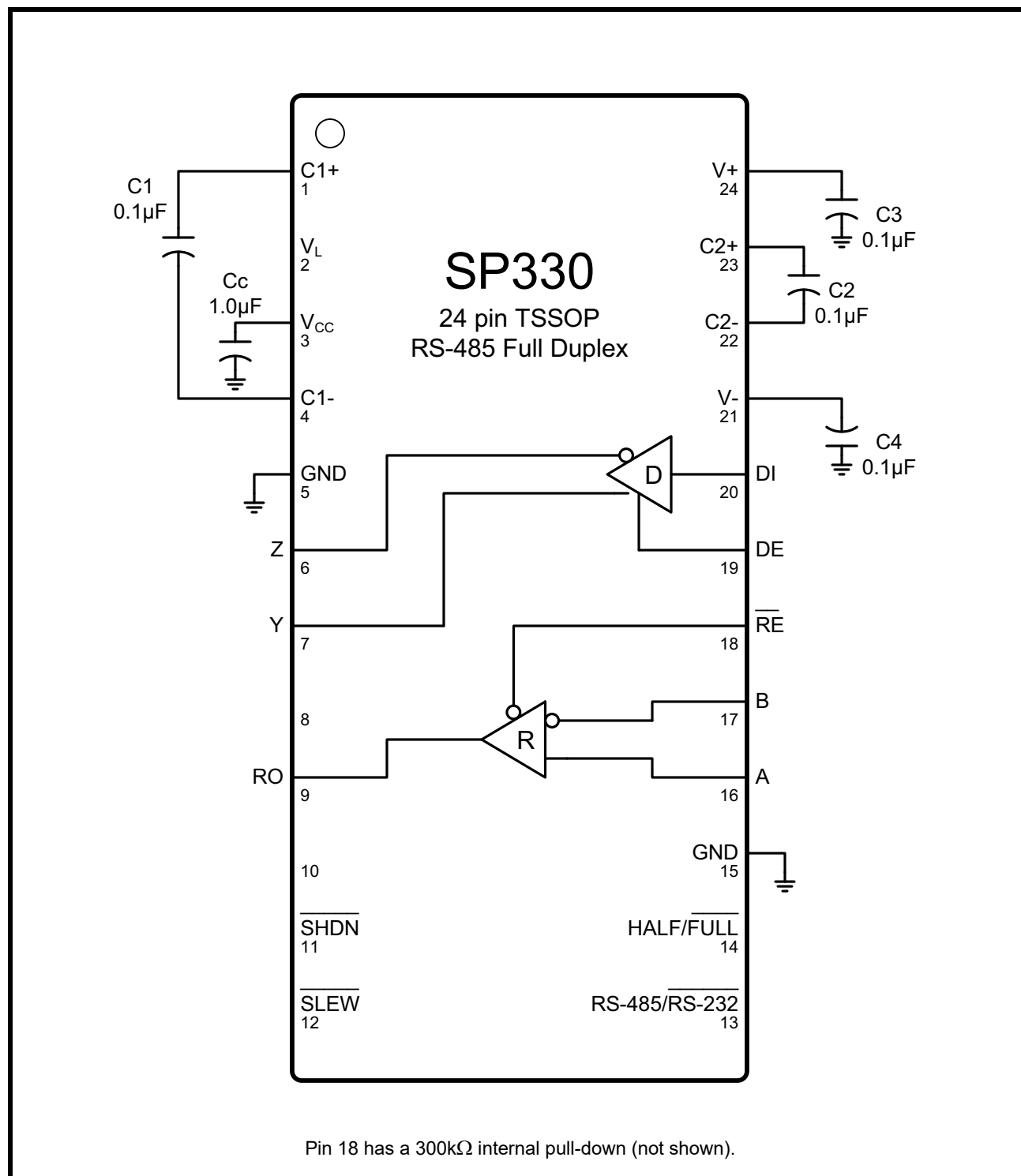
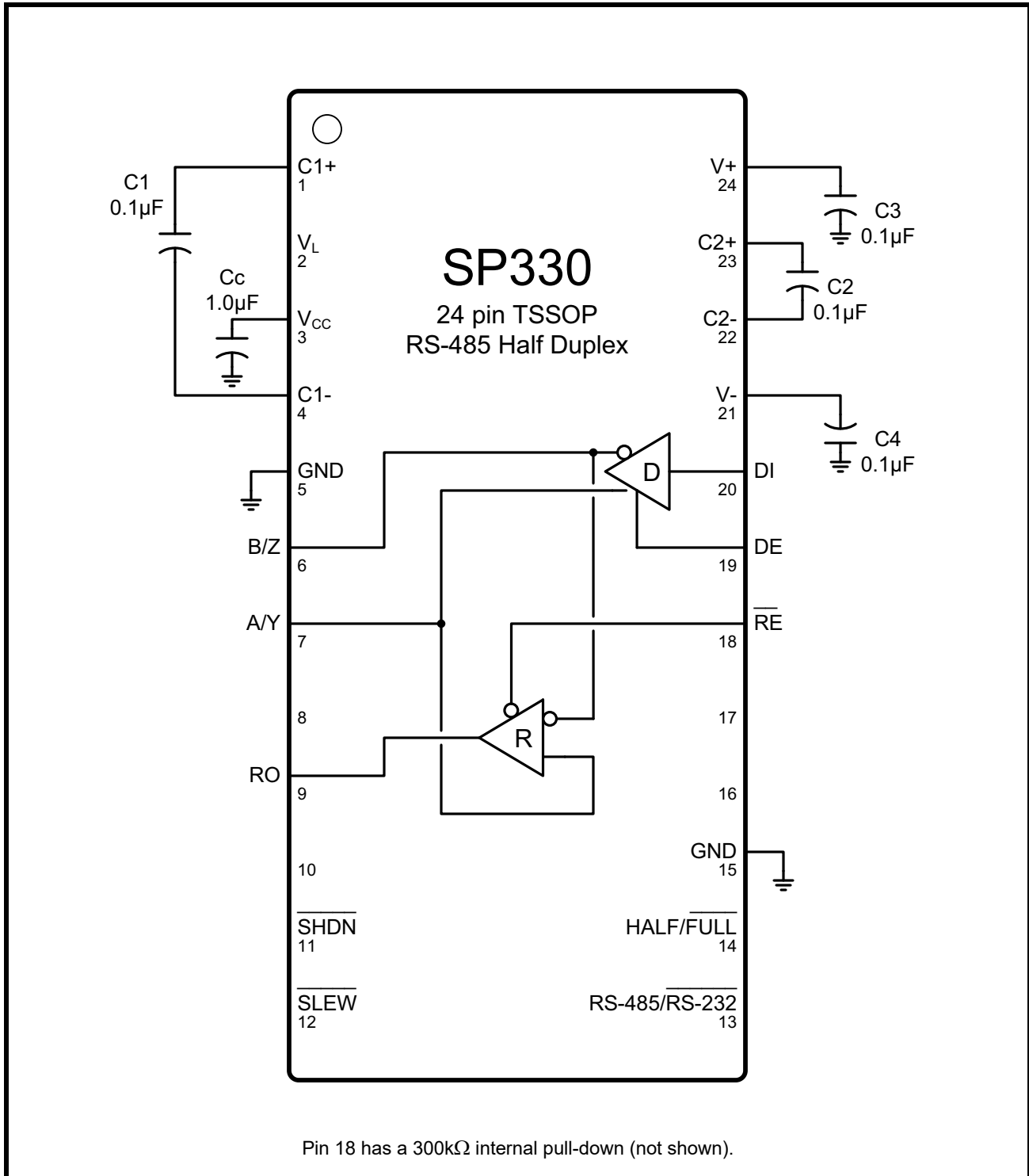


FIGURE 3. RS-485 HALF DUPLEX MODE



TEST CIRCUITS

FIGURE 4. RS-485/422 DIFFERENTIAL DRIVER OUTPUT VOLTAGE

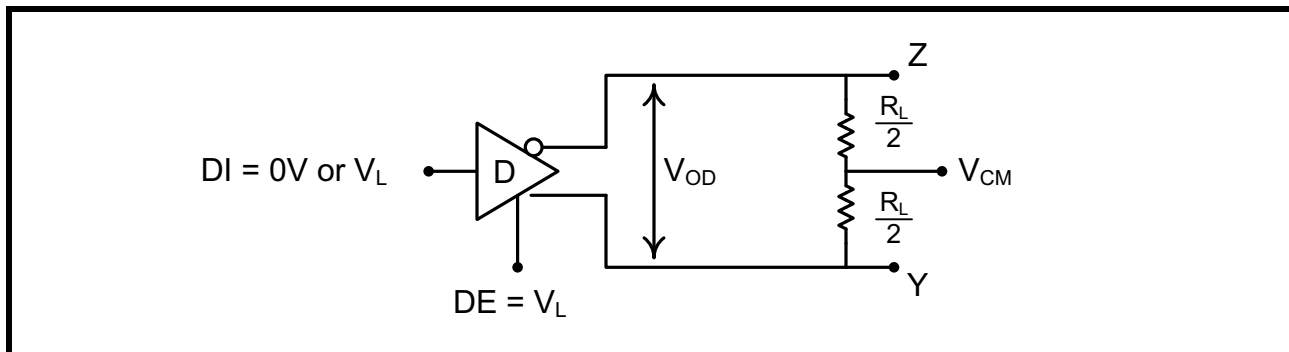


FIGURE 5. RS-485/422 DIFFERENTIAL DRIVER OUTPUT VOLTAGE OVER COMMON MODE

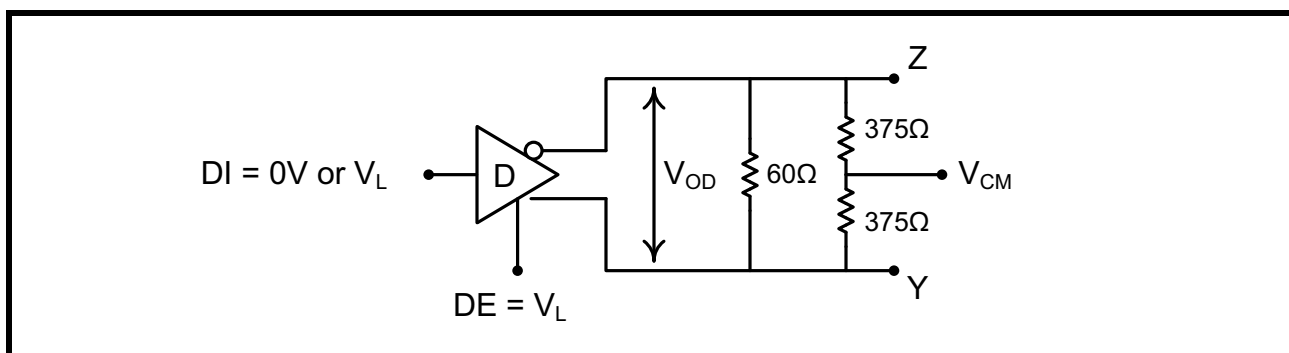


FIGURE 6. RS-485/422 DRIVER OUTPUT SHORT CIRCUIT CURRENT

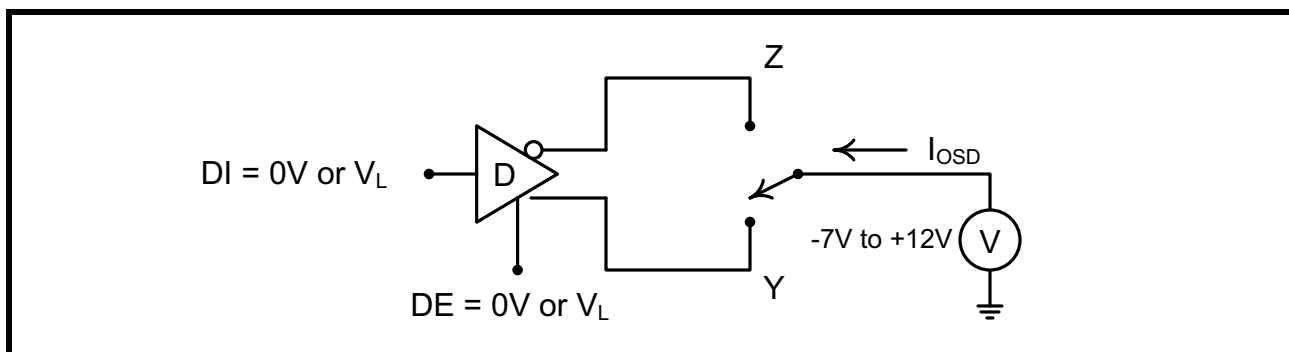


FIGURE 7. RS-232 RECEIVER PROPAGATION DELAY

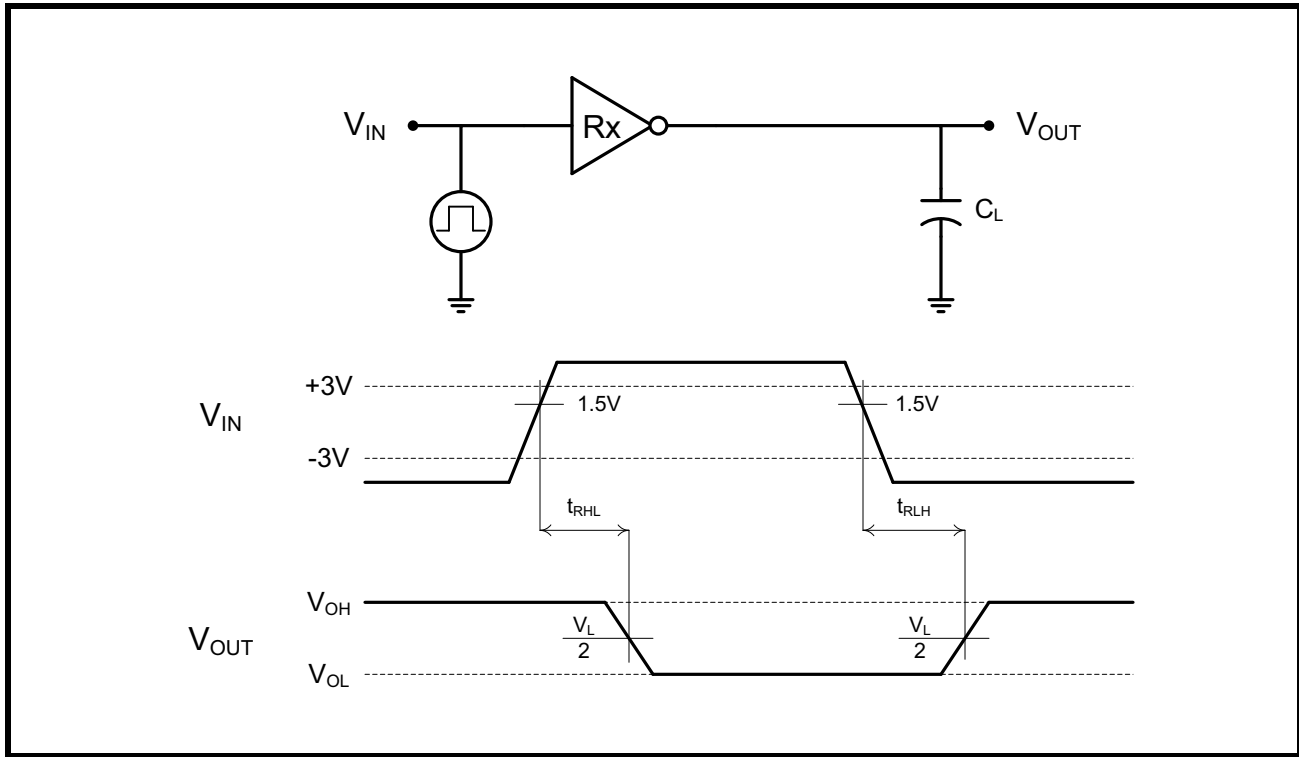


FIGURE 8. RS-232 DRIVER PROPAGATION DELAY

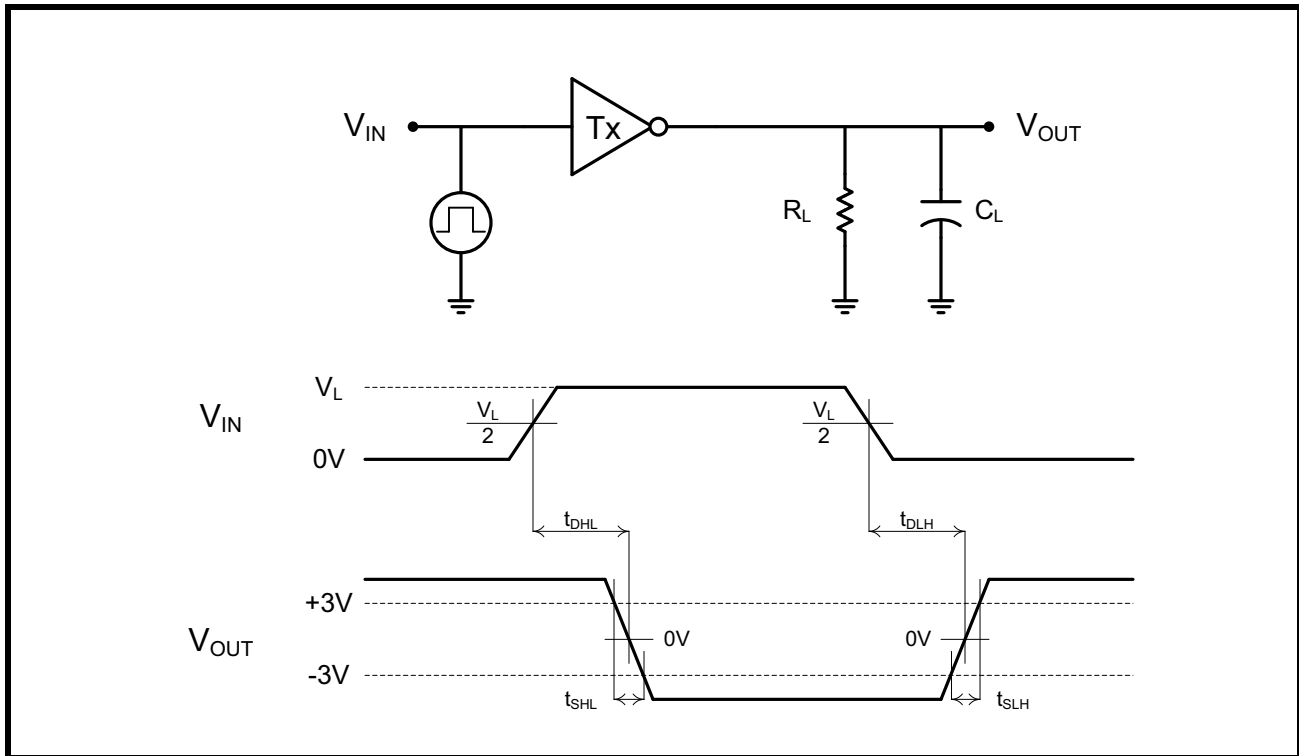


FIGURE 9. RS-485/422 RECEIVER PROPAGATION DELAY

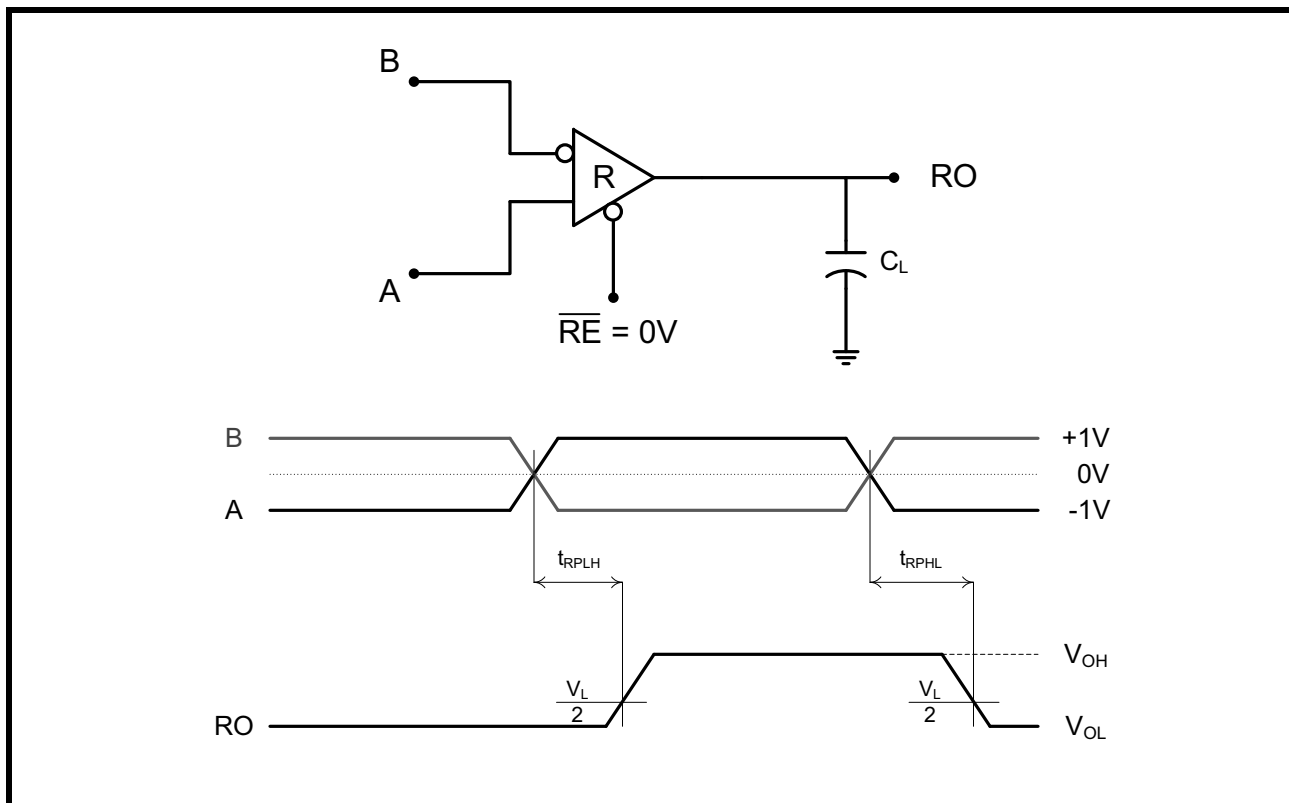


FIGURE 10. RS-485/422 DRIVER PROPAGATION DELAY AND RISE/FALL TIMES

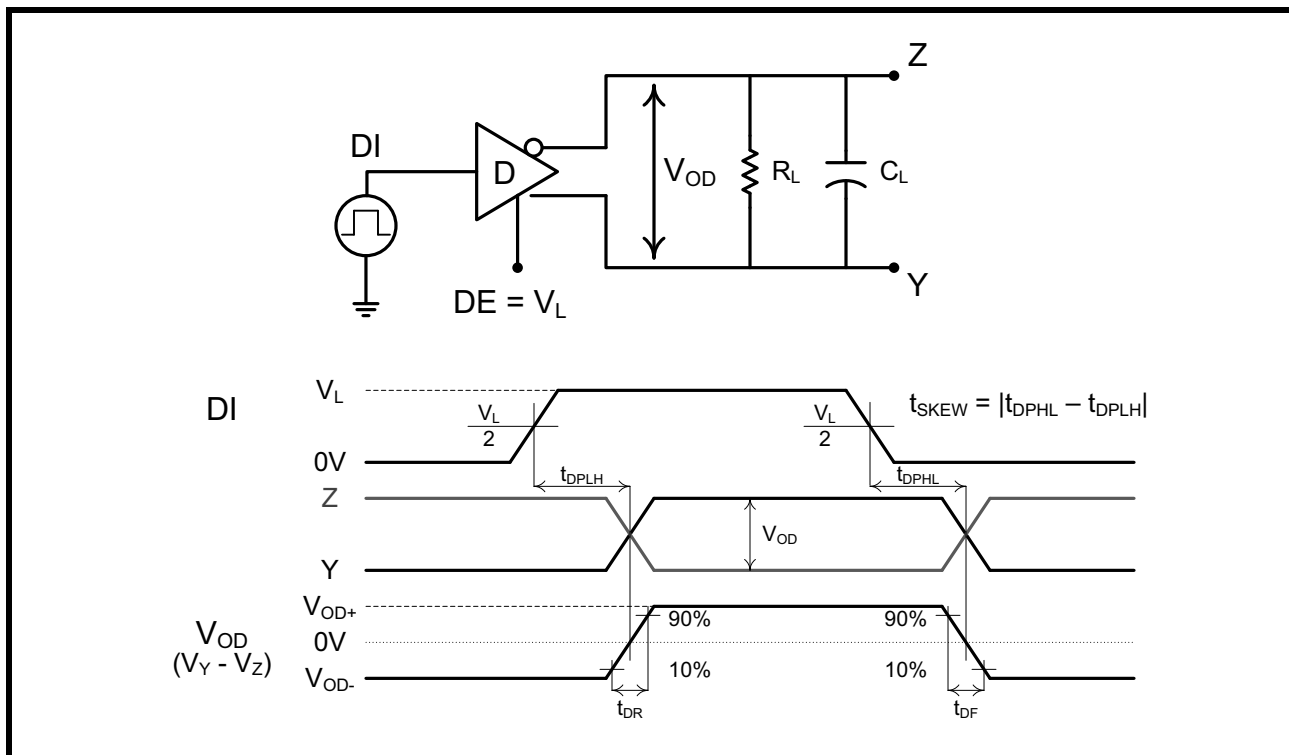


FIGURE 11. RS-485/422 RECEIVER OUTPUT ENABLE/DISABLE TIMES

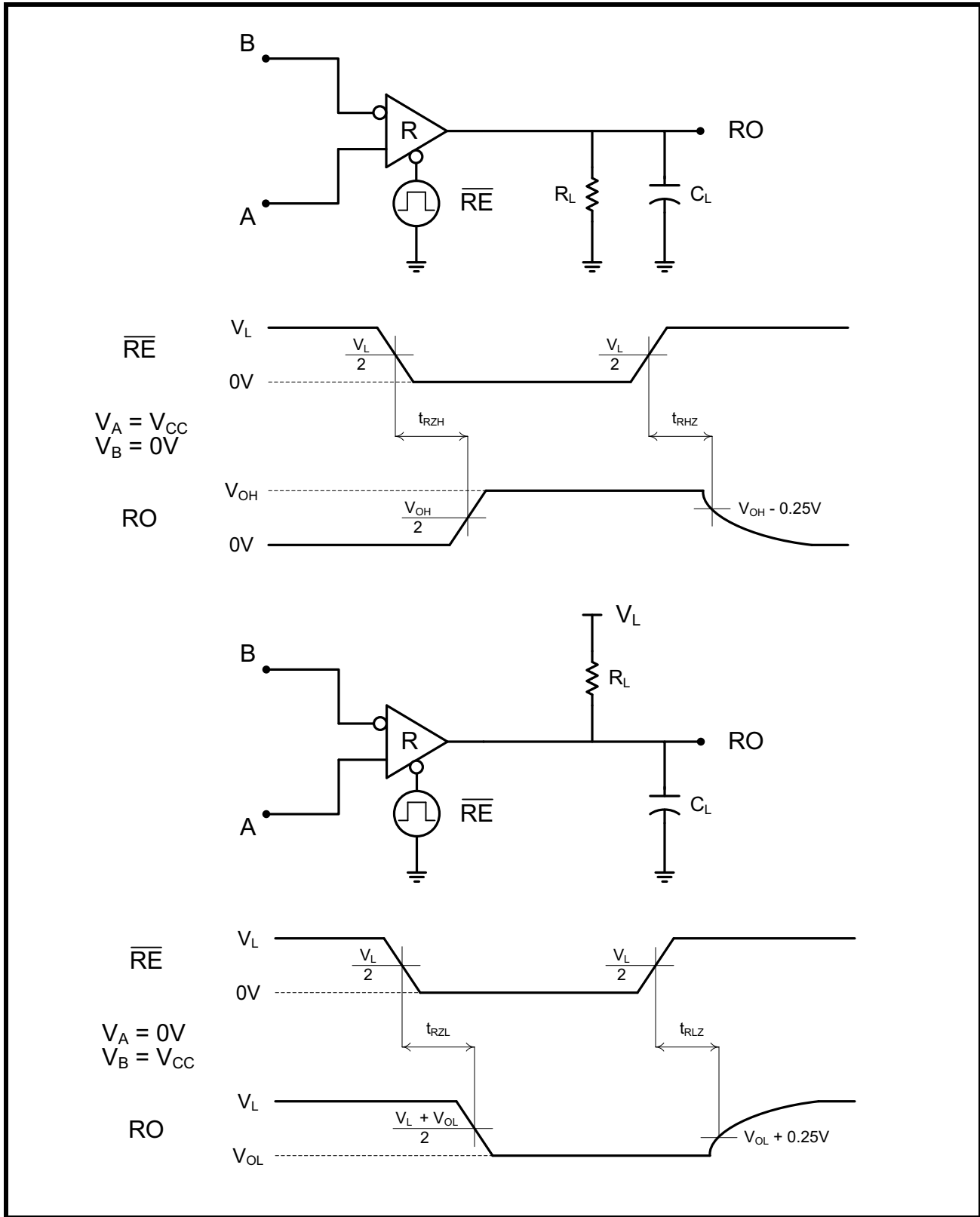
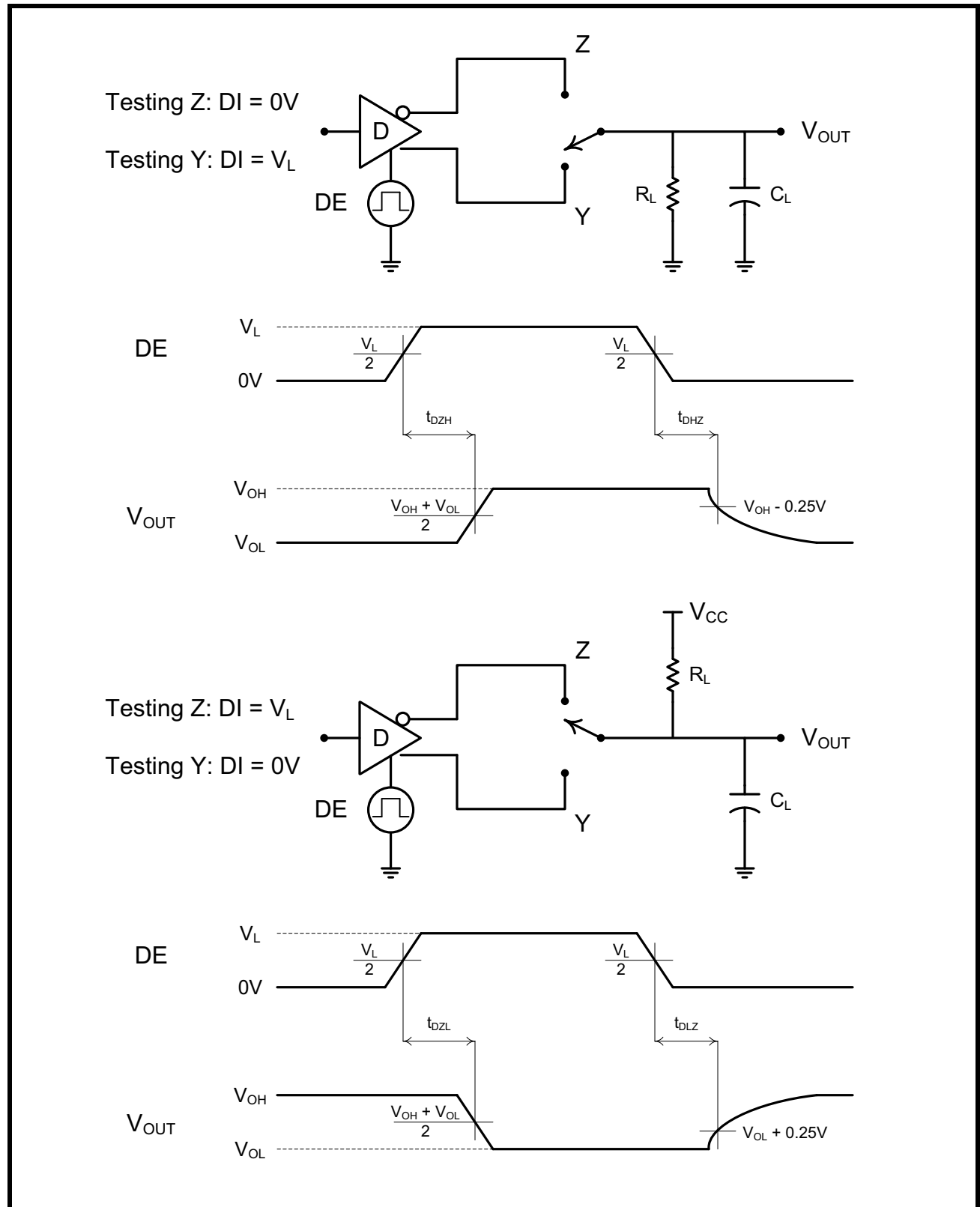


FIGURE 12. RS-485/422 DRIVER OUTPUT ENABLE/DISABLE TIMES



PRODUCT SUMMARY

The SP330 is an advanced multiprotocol transceiver supporting RS-232, RS-485, and RS-422 serial standards. The multiple configuration modes allow all three protocols to be used interchangeably over a single cable or connector with no additional switching components. Full operation requires only four external charge pump capacitors.

ENHANCED FAILSAFE

The enhanced failsafe feature of the SP330 guarantees a logic-high receiver output when the receiver inputs are open, shorted, or terminated but idle/undriven. The enhanced failsafe interprets 0V differential as a logic high with a minimum 50mV noise margin, while maintaining compliance with the EIA/TIA-485 standard of $\pm 200\text{mV}$. No external biasing resistors are required, further easing the usage of multiple protocols over a single connector.

$\pm 15\text{kV}$ ESD PROTECTION

ESD protection structures are incorporated on all pins to protect against electrostatic discharges encountered during handling and assembly. The bus pins (driver outputs and receiver inputs) have extra protection structures, which have been tested up to $\pm 15\text{kV}$ without damage. These structures withstand high ESD in all states: normal operation, in shutdown, and when powered off.

ESD protection is tested in various ways. MaxLinear uses the following methods to qualify the protection structures designed into SP330:

- $\pm 8\text{kV}$ using IEC 61000-4-2 Contact Discharge

- $\pm 15\text{kV}$ using IEC 61000-4-2 Airgap Discharge

- $\pm 15\text{kV}$ using the Human Body Model (HBM)

The IEC 61000-4-2 standard is more rigorous than HBM, resulting in lower voltage levels compared with HBM for the same level of ESD protection. Because IEC 61000-4-2 specifies a lower series resistance, the peak current is higher than HBM. The SP330 has passed both HBM and IEC 61000-4-2 testing without damage.

VARIABLE LOGIC LEVEL VOLTAGE

The SP330 includes a V_L pin which reduces the logic level thresholds to interface with processors operating at reduced supply voltages. This pin should be connected to the supply voltage of the processor or UART block, or can be connected to V_{CC} for typical logic levels.

TRUTH TABLES
TABLE 1: RS-232 TX TRUTH TABLE

| INPUTS | | | OUTPUTS |
|--------------------------|-----------------------------------|------------------|------------------------|
| $\overline{\text{SHDN}}$ | $\overline{\text{RS-485/RS-232}}$ | DI/T1IN, DE/T2IN | Z(B)/T1OUT, Y(A)/T2OUT |
| 0 | X | X | 1/8th unit load |
| 1 | 0 | 0 | 1 |
| 1 | 0 | 1 | 0 |
| 1 | 1 | X | RS-485 Mode |

TABLE 2: RS-232 RX TRUTH TABLE

| INPUTS | | | OUTPUTS |
|--------------------------|-----------------------------------|----------------|--|
| $\overline{\text{SHDN}}$ | $\overline{\text{RS-485/RS-232}}$ | B/R1IN, A/R2IN | R1OUT, RO/R2OUT |
| X | 0 | 0 | 1 |
| X | 0 | 1 | 0 |
| X | 0 | Inputs open | 1 |
| X | 1 | X | R1OUT High-Z, RO/R2OUT in RS-485 Mode |

TABLE 3: RS-485/422 TX TRUTH TABLE

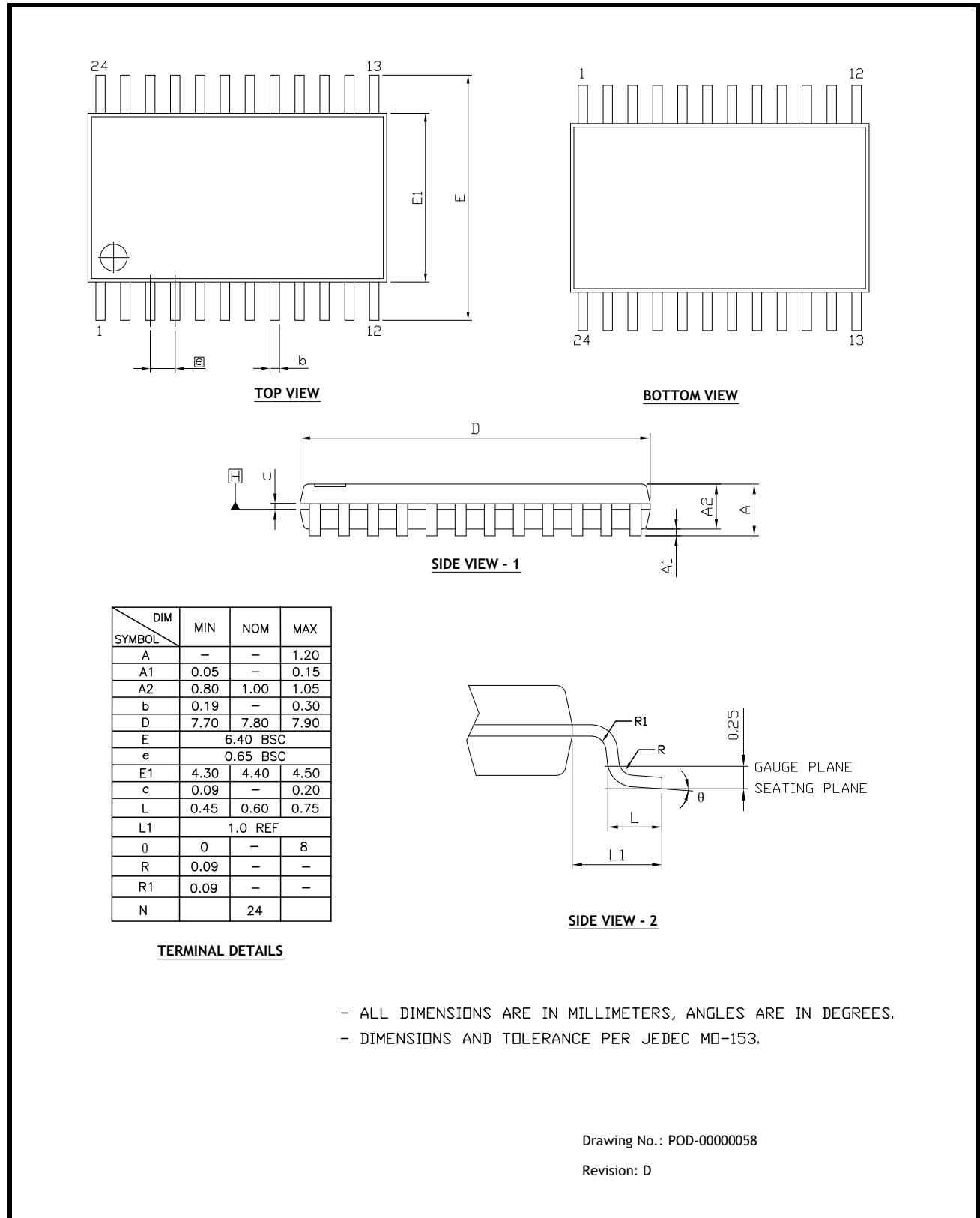
| INPUTS | | | | OUTPUTS | |
|--------------------------|-----------------------------------|------------------|------------------|---------------------|---------------------|
| $\overline{\text{SHDN}}$ | $\overline{\text{RS-485/RS-232}}$ | DE/T2IN | DI/T1IN | Z(B)/T1OUT | Y(A)/T2OUT |
| 0 | X | X | X | 1/8th unit load | 1/8th unit load |
| 1 | 1 | 0 | X | 1/8th unit load | 1/8th unit load |
| 1 | 1 | 1 | 0 | 1 | 0 |
| 1 | 1 | 1 | 1 | 0 | 1 |
| X | 0 | X | X | RS-232 Mode | |

TABLE 4: RS-485/422 RX TRUTH TABLE

| INPUTS | | | | | | OUTPUT |
|-----------------------------------|--------------------------|-------------------------------|------------------------|----------------------|----------------------|-------------------|
| $\overline{\text{RS-485/RS-232}}$ | $\overline{\text{SHDN}}$ | $\overline{\text{HALF/FULL}}$ | $\overline{\text{RE}}$ | (A-B) | (Y-Z) | RO/R2OUT |
| 1 | 0 | X | X | X | X | High-Z |
| 1 | 1 | 0 | 0 | $\geq -50\text{mV}$ | X | 1 |
| 1 | 1 | 0 | 0 | $\leq -200\text{mV}$ | X | 0 |
| 1 | 1 | 0 | 0 | Floating | X | 1 |
| 1 | 1 | 1 | 0 | X | $\geq -50\text{mV}$ | 1 |
| 1 | 1 | 1 | 0 | X | $\leq -200\text{mV}$ | 0 |
| 1 | 1 | 1 | 0 | X | Floating | 1 |
| 1 | 1 | X | 1 | X | X | High-Z |
| 0 | X | X | X | X | X | RS-232 Mode |

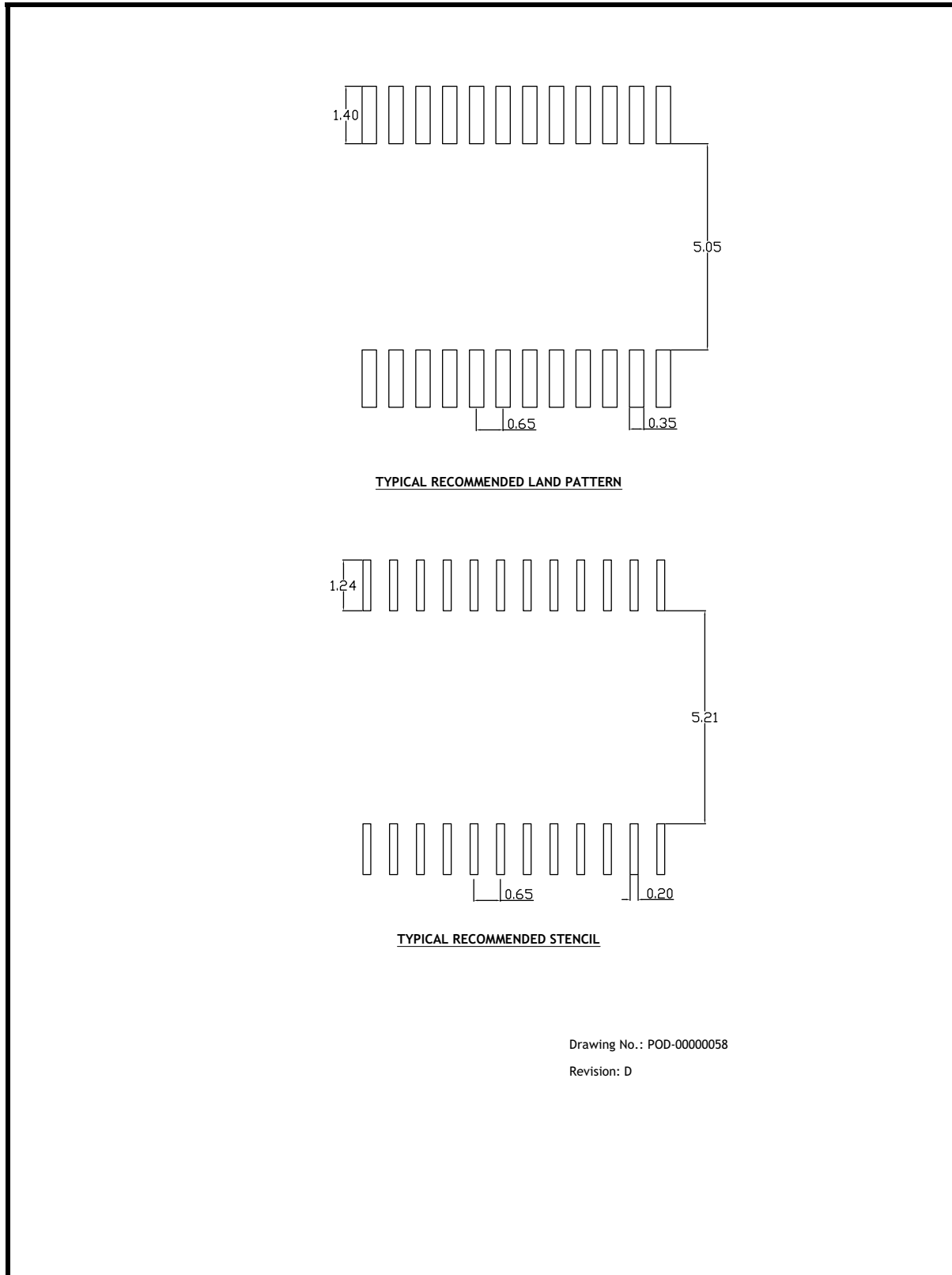
MECHANICAL DIMENSIONS

FIGURE 13. TSSOP 24 DRAWING



RECOMMENDED LAND PATTERN AND STENCIL

FIGURE 14. TSSOP 24



Drawing No.: POD-0000058

Revision: D

REVISION HISTORY

| DATE | REVISION | DESCRIPTION |
|----------|----------|--|
| Nov 2013 | 1.0.0 | Production Release |
| May 2018 | 1.0.1 | Update to MaxLinear logo. Update format and ordering information. Update ESD protection / ratings table. |

**Corporate Headquarters:**

5966 La Place Court
Suite 100
Carlsbad, CA 92008
Tel.: +1 (760) 692-0711
Fax: +1 (760) 444-8598
www.maxlinear.com

High Performance Analog:

1060 Rincon Circle
San Jose, CA 95131
Tel.: +1 (669) 265-6100
Fax: +1 (669) 265-6101
Email: serialtechsupport@exar.com
www.exar.com

The content of this document is furnished for informational use only, is subject to change without notice, and should not be construed as a commitment by MaxLinear, Inc.. MaxLinear, Inc. assumes no responsibility or liability for any errors or inaccuracies that may appear in the informational content contained on this guide. Complying with all applicable copyright laws is the responsibility of the user.. Without limiting the rights under copyright, no part of this document may be reproduced into, stored in, or introduced into a retrieval system, or transmitted in any form or by any means (electronic, mechanical, photocopying, recording, or otherwise), or for any purpose, without the express written permission of MaxLinear, Inc.

MaxLinear, Inc. does not recommend the use of any of its products in life support applications where the failure or malfunction of the product can reasonably be expected to cause failure of the life support system or to significantly affect its safety or effectiveness. Products are not authorized for use in such applications unless MaxLinear, Inc. receives, in writing, assurances to its satisfaction that: (a) the risk of injury or damage has been minimized; (b) the user assumes all such risks; (c) potential liability of MaxLinear, Inc. is adequately protected under the circumstances.

MaxLinear, Inc. may have patents, patent applications, trademarks, copyrights, or other intellectual property rights covering subject matter in this document. Except as expressly provided in any written license agreement from MaxLinear, Inc., the furnishing of this document does not give you any license to these patents, trademarks, copyrights, or other intellectual property.

Company and product names may be registered trademarks or trademarks of the respective owners with which they are associated.

Компания «Life Electronics» занимается поставками электронных компонентов импортного и отечественного производства от производителей и со складов крупных дистрибьюторов Европы, Америки и Азии.

С конца 2013 года компания активно расширяет линейку поставок компонентов по направлению коаксиальный кабель, кварцевые генераторы и конденсаторы (керамические, пленочные, электролитические), за счёт заключения дистрибьюторских договоров

Мы предлагаем:

- Конкуренеспособные цены и скидки постоянным клиентам.
- Специальные условия для постоянных клиентов.
- Подбор аналогов.
- Поставку компонентов в любых объемах, удовлетворяющих вашим потребностям.
- Приемлемые сроки поставки, возможна ускоренная поставка.
- Доставку товара в любую точку России и стран СНГ.
- Комплексную поставку.
- Работу по проектам и поставку образцов.
- Формирование склада под заказчика.
- Сертификаты соответствия на поставляемую продукцию (по желанию клиента).
- Тестирование поставляемой продукции.
- Поставку компонентов, требующих военную и космическую приемку.
- Входной контроль качества.
- Наличие сертификата ISO.

В составе нашей компании организован Конструкторский отдел, призванный помогать разработчикам, и инженерам.

Конструкторский отдел помогает осуществить:

- Регистрацию проекта у производителя компонентов.
- Техническую поддержку проекта.
- Защиту от снятия компонента с производства.
- Оценку стоимости проекта по компонентам.
- Изготовление тестовой платы монтаж и пусконаладочные работы.



Тел: +7 (812) 336 43 04 (многоканальный)
Email: org@lifeelectronics.ru