

## Important notice

Dear Customer,

On 7 February 2017 the former NXP Standard Product business became a new company with the tradename **Nexperia**. Nexperia is an industry leading supplier of Discrete, Logic and PowerMOS semiconductors with its focus on the automotive, industrial, computing, consumer and wearable application markets

In data sheets and application notes which still contain NXP or Philips Semiconductors references, use the references to Nexperia, as shown below.

Instead of <http://www.nxp.com>, <http://www.philips.com/> or <http://www.semiconductors.philips.com/>, use <http://www.nexperia.com>

Instead of [sales.addresses@www.nxp.com](mailto:sales.addresses@www.nxp.com) or [sales.addresses@www.semiconductors.philips.com](mailto:sales.addresses@www.semiconductors.philips.com), use [salesaddresses@nexperia.com](mailto:salesaddresses@nexperia.com) (email)

Replace the copyright notice at the bottom of each page or elsewhere in the document, depending on the version, as shown below:

- © NXP N.V. (year). All rights reserved or © Koninklijke Philips Electronics N.V. (year). All rights reserved

Should be replaced with:

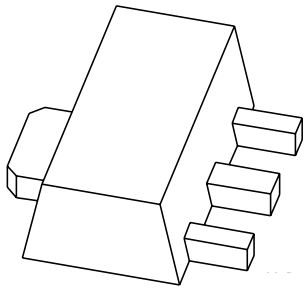
- © **Nexperia B.V. (year). All rights reserved.**

If you have any questions related to the data sheet, please contact our nearest sales office via e-mail or telephone (details via [salesaddresses@nexperia.com](mailto:salesaddresses@nexperia.com)). Thank you for your cooperation and understanding,

Kind regards,

Team Nexperia

# DATA SHEET



## **PXTA14** NPN Darlington transistor

Product data sheet  
Supersedes data of 1999 Apr 14

2004 Dec 09

# NPN Darlington transistor

# PXTA14

### FEATURES

- High current (max. 500 mA)
- Low voltage (max. 30 V).

### APPLICATIONS

- High input impedance preamplifiers.

### DESCRIPTION

NPN Darlington transistor in a SOT89 plastic package.  
PNP complement: PXTA64.

### MARKING

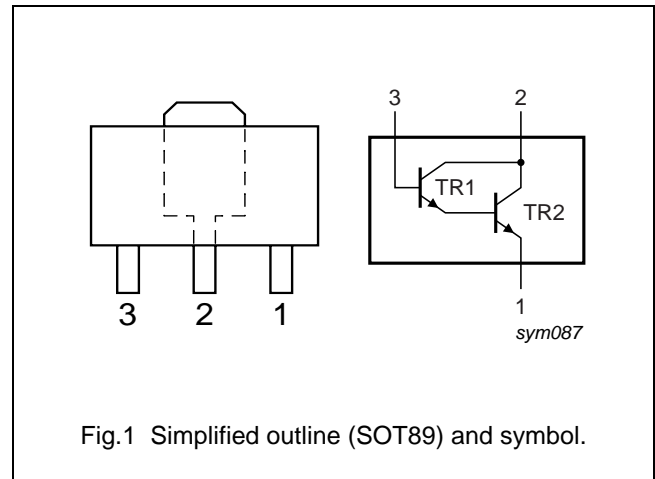
| TYPE NUMBER | MARKING CODE <sup>(1)</sup> |
|-------------|-----------------------------|
| PXTA14      | *1N                         |

### Note

- \* = p: Made in Hong Kong.  
\* = t: Made in Malaysia.  
\* = W: Made in China.

### PINNING

| PIN | DESCRIPTION |
|-----|-------------|
| 1   | emitter     |
| 2   | collector   |
| 3   | base        |



### ORDERING INFORMATION

| TYPE NUMBER | PACKAGE |  |         |
|-------------|---------|--|---------|
|             | NAME    | DESCRIPTION  | VERSION |
| PXTA14      | SC-62   | plastic surface mounted package; collector pad for good heat transfer; 3 leads | SOT89   |

## NPN Darlington transistor

PXTA14

**LIMITING VALUES**

In accordance with the Absolute Maximum Rating System (IEC 60134).

| SYMBOL    | PARAMETER                 | CONDITIONS                   | MIN. | MAX. | UNIT |
|-----------|---------------------------|------------------------------|------|------|------|
| $V_{CBO}$ | collector-base voltage    | open emitter                 | –    | 30   | V    |
| $V_{CES}$ | collector-emitter voltage | $V_{BE} = 0$ V               | –    | 30   | V    |
| $V_{EBO}$ | emitter-base voltage      | open collector               | –    | 10   | V    |
| $I_C$     | collector current (DC)    |                              | –    | 500  | mA   |
| $I_{CM}$  | peak collector current    |                              | –    | 1    | A    |
| $I_B$     | base current (DC)         |                              | –    | 200  | mA   |
| $P_{tot}$ | total power dissipation   | $T_{amb} \leq 25$ °C; note 1 | –    | 1.3  | W    |
| $T_{stg}$ | storage temperature       |                              | –65  | +150 | °C   |
| $T_j$     | junction temperature      |                              | –    | 150  | °C   |
| $T_{amb}$ | ambient temperature       |                              | –65  | +150 | °C   |

**Note**

- Device mounted on a printed-circuit board, single-sided copper, tin-plated, mounting pad for collector 6 cm<sup>2</sup>. For other mounting conditions, see “*Thermal considerations for the SOT89 in the General Part of associated Handbook*”.

**THERMAL CHARACTERISTICS**

| SYMBOL        | PARAMETER  | CONDITIONS | VALUE | UNIT |
|---------------|--|------------|-------|------|
| $R_{th(j-a)}$ | thermal resistance from junction to ambient      | note 1     | 96    | K/W  |
| $R_{th(j-s)}$ | thermal resistance from junction to solder point |            | 16    | K/W  |

**Note**

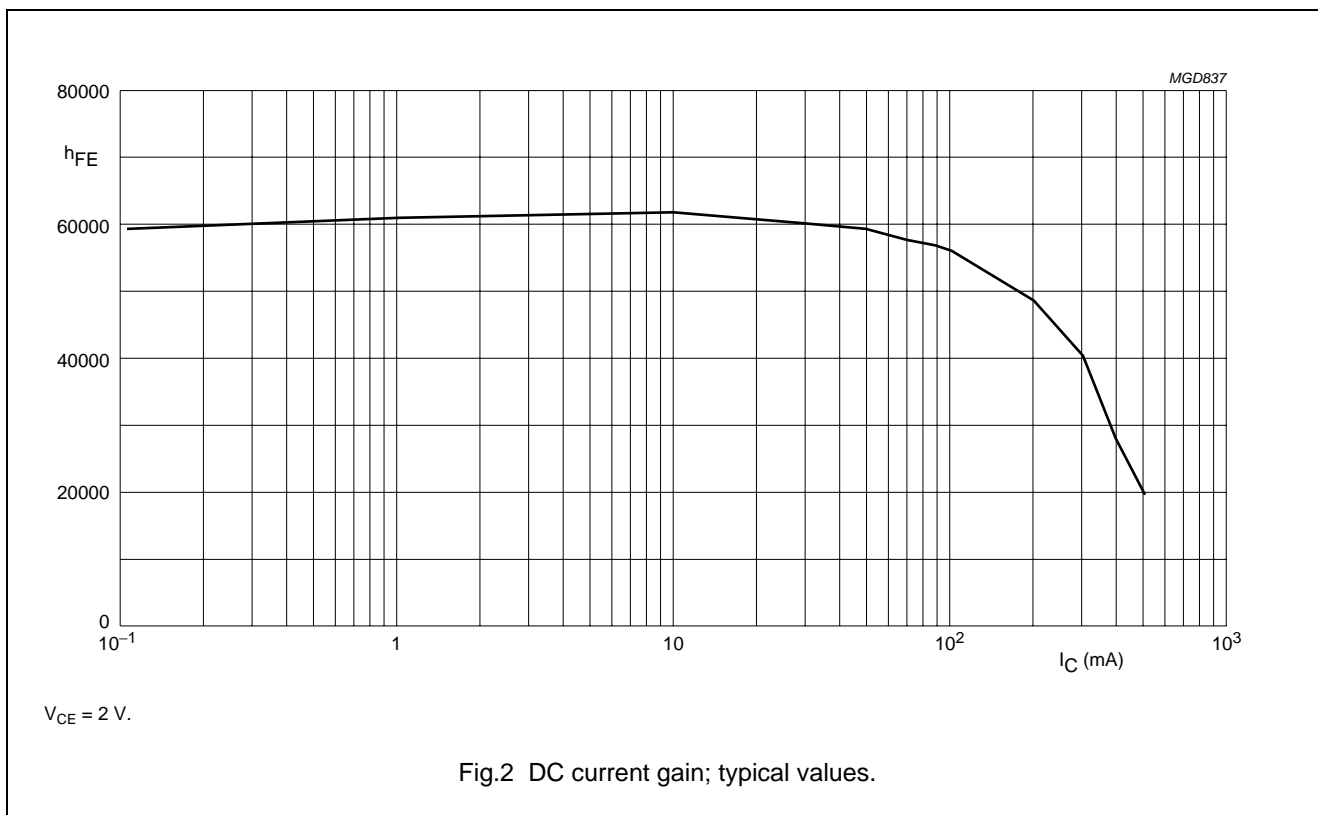
- Device mounted on a printed-circuit board, single-sided copper, tin-plated, mounting pad for collector 6 cm<sup>2</sup>. For other mounting conditions, see “*Thermal considerations for the SOT89 in the General Part of associated Handbook*”.

**CHARACTERISTICS** $T_{amb} = 25$  °C unless otherwise specified.

| SYMBOL      | PARAMETER                            | CONDITIONS                                   | MIN.  | MAX. | UNIT |
|-------------|--------------------------------------|--|-------|------|------|
| $I_{CBO}$   | collector-base cut-off current       | $I_E = 0$ A; $V_{CB} = 30$ V                 | –     | 100  | nA   |
| $I_{CES}$   | collector-emitter cut-off current    | $V_{BE} = 0$ V; $V_{CE} = 30$ V              | –     | 100  | nA   |
| $I_{EBO}$   | emitter cut-off current              | $I_C = 0$ A; $V_{EB} = 10$ V                 | –     | 100  | nA   |
| $h_{FE}$    | DC current gain                      | $I_C = 10$ mA; $V_{CE} = 5$ V; (see Fig.2)   | 10000 | –    |      |
|             |                                      | $I_C = 100$ mA; $V_{CE} = 5$ V; (see Fig.2)  | 20000 | –    |      |
| $V_{CEsat}$ | collector-emitter saturation voltage | $I_C = 100$ mA; $I_B = 0.1$ mA               | –     | 1.5  | V    |
| $V_{BEsat}$ | base-emitter saturation voltage      | $I_C = 100$ mA; $I_B = 0.1$ mA               | –     | 1.5  | V    |
| $V_{BEon}$  | base-emitter on-state voltage        | $I_C = 100$ mA; $V_{CE} = 5$ V               | –     | 2    | V    |
| $f_T$       | transition frequency                 | $I_C = 30$ mA; $V_{CE} = 5$ V; $f = 100$ MHz | 125   | –    | MHz  |

NPN Darlington transistor

PXTA14



NPN Darlington transistor

PXTA14

PACKAGE OUTLINE

Plastic surface-mounted package; collector pad for good heat transfer; 3 leads

SOT89



DIMENSIONS (mm are the original dimensions)

| UNIT | A          | b <sub>p1</sub> | b <sub>p2</sub> | b <sub>p3</sub> | c            | D          | E          | e   | e <sub>1</sub> | H <sub>E</sub> | L <sub>p</sub> | w    |
|------|------------|-----------------|-----------------|-----------------|--------------|------------|------------|-----|----------------|----------------|----------------|------|
| mm   | 1.6<br>1.4 | 0.48<br>0.35    | 0.53<br>0.40    | 1.8<br>1.4      | 0.44<br>0.23 | 4.6<br>4.4 | 2.6<br>2.4 | 3.0 | 1.5            | 4.25<br>3.75   | 1.2<br>0.8     | 0.13 |

| OUTLINE VERSION | REFERENCES |        |       | EUROPEAN PROJECTION | ISSUE DATE           |
|-----------------|------------|--------|-------|---------------------|----------------------|
|                 | IEC        | JEDEC  | JEITA |                     |                      |
| SOT89           |            | TO-243 | SC-62 |                     | 04-08-03<br>06-03-16 |

NPN Darlington transistor

PXTA14

DATA SHEET STATUS

| DOCUMENT STATUS <sup>(1)</sup> | PRODUCT STATUS <sup>(2)</sup> | DEFINITION  |
|--------------------------------|-------------------------------|---|
| Objective data sheet           | Development                   | This document contains data from the objective specification for product development. |
| Preliminary data sheet         | Qualification                 | This document contains data from the preliminary specification.                       |
| Product data sheet             | Production                    | This document contains the product specification.                                     |

Notes

1. Please consult the most recently issued document before initiating or completing a design.
2. The product status of device(s) described in this document may have changed since this document was published and may differ in case of multiple devices. The latest product status information is available on the Internet at URL <http://www.nxp.com>.

DISCLAIMERS

**General** — Information in this document is believed to be accurate and reliable. However, NXP Semiconductors does not give any representations or warranties, expressed or implied, as to the accuracy or completeness of such information and shall have no liability for the consequences of use of such information.

**Right to make changes** — NXP Semiconductors reserves the right to make changes to information published in this document, including without limitation specifications and product descriptions, at any time and without notice. This document supersedes and replaces all information supplied prior to the publication hereof.

**Suitability for use** — NXP Semiconductors products are not designed, authorized or warranted to be suitable for use in medical, military, aircraft, space or life support equipment, nor in applications where failure or malfunction of an NXP Semiconductors product can reasonably be expected to result in personal injury, death or severe property or environmental damage. NXP Semiconductors accepts no liability for inclusion and/or use of NXP Semiconductors products in such equipment or applications and therefore such inclusion and/or use is at the customer's own risk.

**Applications** — Applications that are described herein for any of these products are for illustrative purposes only. NXP Semiconductors makes no representation or warranty that such applications will be suitable for the specified use without further testing or modification.

**Limiting values** — Stress above one or more limiting values (as defined in the Absolute Maximum Ratings System of IEC 60134) may cause permanent damage to the device. Limiting values are stress ratings only and operation of the device at these or any other conditions

above those given in the Characteristics sections of this document is not implied. Exposure to limiting values for extended periods may affect device reliability.

**Terms and conditions of sale** — NXP Semiconductors products are sold subject to the general terms and conditions of commercial sale, as published at <http://www.nxp.com/profile/terms>, including those pertaining to warranty, intellectual property rights infringement and limitation of liability, unless explicitly otherwise agreed to in writing by NXP Semiconductors. In case of any inconsistency or conflict between information in this document and such terms and conditions, the latter will prevail.

**No offer to sell or license** — Nothing in this document may be interpreted or construed as an offer to sell products that is open for acceptance or the grant, conveyance or implication of any license under any copyrights, patents or other industrial or intellectual property rights.

**Export control** — This document as well as the item(s) described herein may be subject to export control regulations. Export might require a prior authorization from national authorities.

**Quick reference data** — The Quick reference data is an extract of the product data given in the Limiting values and Characteristics sections of this document, and as such is not complete, exhaustive or legally binding.

# ***NXP Semiconductors***

## **Customer notification**

This data sheet was changed to reflect the new company name NXP Semiconductors, including new legal definitions and disclaimers. No changes were made to the technical content, except for package outline drawings which were updated to the latest version.

## **Contact information**

For additional information please visit: <http://www.nxp.com>

For sales offices addresses send e-mail to: [salesaddresses@nxp.com](mailto:salesaddresses@nxp.com)

© NXP B.V. 2009

All rights are reserved. Reproduction in whole or in part is prohibited without the prior written consent of the copyright owner.

The information presented in this document does not form part of any quotation or contract, is believed to be accurate and reliable and may be changed without notice. No liability will be accepted by the publisher for any consequence of its use. Publication thereof does not convey nor imply any license under patent- or other industrial or intellectual property rights.

Printed in The Netherlands

R75/04/pp7

Date of release: 2004 Dec 09

Document order number: 9397 750 13901





Компания «Life Electronics» занимается поставками электронных компонентов импортного и отечественного производства от производителей и со складов крупных дистрибьюторов Европы, Америки и Азии.

С конца 2013 года компания активно расширяет линейку поставок компонентов по направлению коаксиальный кабель, кварцевые генераторы и конденсаторы (керамические, пленочные, электролитические), за счёт заключения дистрибьюторских договоров

Мы предлагаем:

- Конкуренеспособные цены и скидки постоянным клиентам.
- Специальные условия для постоянных клиентов.
- Подбор аналогов.
- Поставку компонентов в любых объемах, удовлетворяющих вашим потребностям.
- Приемлемые сроки поставки, возможна ускоренная поставка.
- Доставку товара в любую точку России и стран СНГ.
- Комплексную поставку.
- Работу по проектам и поставку образцов.
- Формирование склада под заказчика.
- Сертификаты соответствия на поставляемую продукцию (по желанию клиента).
- Тестирование поставляемой продукции.
- Поставку компонентов, требующих военную и космическую приемку.
- Входной контроль качества.
- Наличие сертификата ISO.

В составе нашей компании организован Конструкторский отдел, призванный помогать разработчикам, и инженерам.

Конструкторский отдел помогает осуществить:

- Регистрацию проекта у производителя компонентов.
- Техническую поддержку проекта.
- Защиту от снятия компонента с производства.
- Оценку стоимости проекта по компонентам.
- Изготовление тестовой платы монтаж и пусконаладочные работы.



Тел: +7 (812) 336 43 04 (многоканальный)

Email: [org@lifeelectronics.ru](mailto:org@lifeelectronics.ru)