

# Specification

Drawing No.	TKY1D-H1-19009-00 [12]
Issued Date.	January 10, 2019

**TO: Mouser**

Note: In case of specification change, KYOCERA Part Number also will be changed.

Product Name	Temperature Compensated Crystal Oscillator
Product Model	KT2520K
Frequency	25.0MHz
Customer Part Number	_____
Customer Specification Number	_____
KYOCERA Part Number	KT2520K25000ZAW18TDS
Remarks	RoHS Compliant, MSL=1

**Customer Acceptance**

Accept Signature	Accept Date	
	Department	
	Person in charge	

**Seller**  
 KYOCERA Corporation  
 Corporate Electronic Components Group  
 Electronic Components Sales Division  
 6 Takeda Tobadono-cho, Fushimi-ku, Kyoto  
 612-8501 Japan  
 TEL. No. 075-604-3500  
 FAX. No. 075-604-3501

**Manufacturer**  
 KYOCERA Corporation  
 Corporate Electronic Components Group  
 Crystal Components Division  
 Yamagata higashine Plant  
 5850, Higashine-koh, Higashine-shi, Yamagata  
 999-3701 Japan  
 TEL. No. 0237-43-5611  
 FAX. No. 0237-43-5615

Design Department	Quality Assurance	Approved by	Examined by	Written by
Manufacturing Engineering Department Application Engineering Section	Y. Kakuta 	N. Nakano 	Y. Hisoya 	C. Nitoube 

**KYOCERA Corporation**



## 1. Purpose and scope

This document contains specification related to CRYSTAL OSCILLATOR model  
KT2520K25000ZAW18TDS Mouser.

## 2. Nominal condition

	Item	MIN.	TYP.	MAX	Unit	Conditions
1	Operating temperature range	-40	---	+85	deg.C	
2	Storage temperature range	-40	---	+85	deg.C	
3	Nominal frequency	---	25.0	---	MHz	
4	Supply voltage	1.7	1.8	1.9	V	1.8V+/-0.1V
5	Absolute maximum rating voltage (Supply voltage)	-0.6	---	+4.6	V	
6	Load impedance	9	10	11	kohm	
		9	10	11	pF	
7	Output signal condition	---	Clipped sine	---	---	

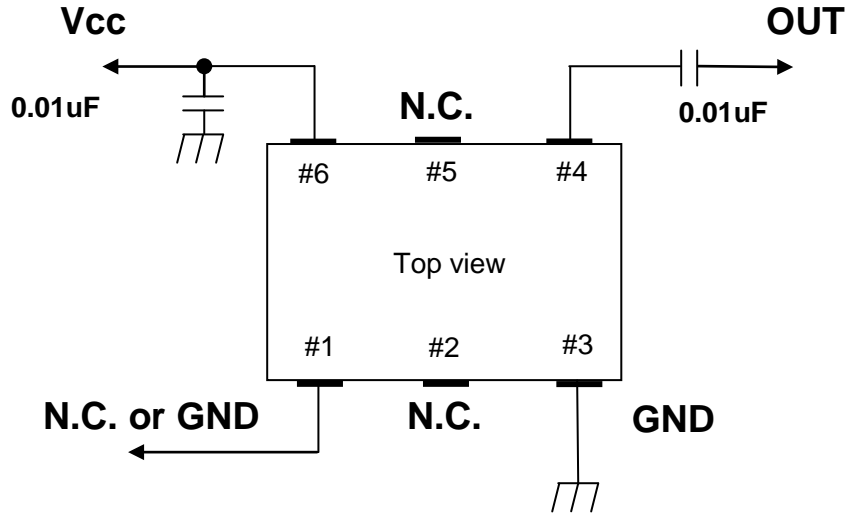
## 3. Electrical characteristics

Ta=-40 to +85deg.C, Vcc=1.8V, Load=10kohm//10pF

	Item	MIN.	TYP.	MAX	Unit	Conditions	Remarks
1	Temp characteristics	-0.5	---	+0.5	$\times 10^{-6}$	Ta=-30 to +85 deg.C	On the basis of 25 deg.C frequency
		-4.0	---	+4.0	$\times 10^{-6}$	Ta=-40 to -30 deg.C	
2	Voltage characteristics	-0.2	---	+0.2	$\times 10^{-6}$	1.8V+/-0.1V	
3	Load characteristics	-0.2	---	+0.2	$\times 10^{-6}$	10kohm//10pF+/-10%	
4	Aging characteristics	-1.0	---	+1.0	$\times 10^{-6}/Y$	1year	at 25+/-2 deg.C
5	Frequency tolerance	-2.0	---	+2.0	$\times 10^{-6}$	After 2 times reflow soldering	at 25+/-2 deg.C
6	Current	---	---	1.5	mA		
7	Output voltage	0.8	---	---	Vp-p		
8	Harmonics	---	---	-8.0	dBc		
9	Phase noise	---	---	-108	dBc/Hz	@100Hz offset	at 25+/-2 deg.C
		---	---	-130	dBc/Hz	@1kHz offset	
		---	---	-145	dBc/Hz	@10kHz offset	
		---	---	-148	dBc/Hz	@100kHz offset	
		---	---	-148	dBc/Hz	@1MHz offset	

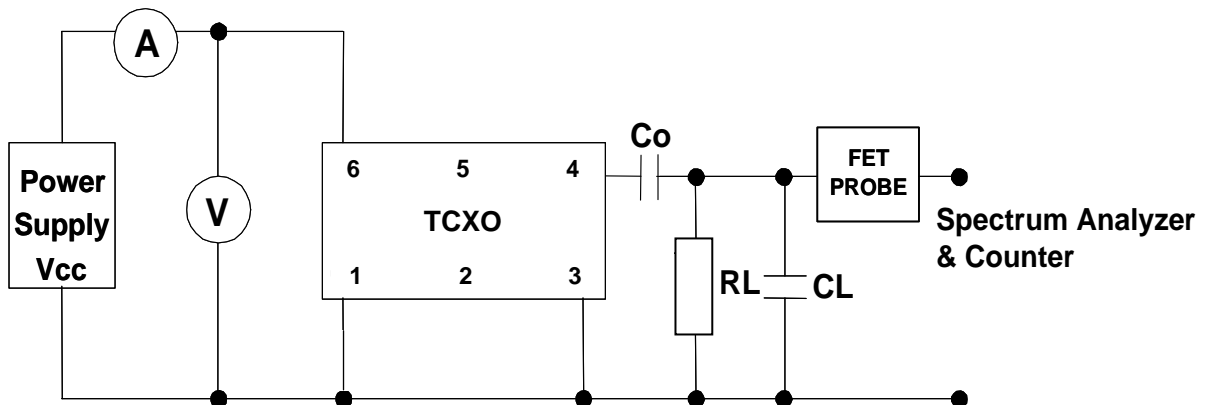
## 4. Circuit

Bypass Capacitor and DC- Blocking Capacitor do not build in this TCXO.  
So, Bypass Capacitor and DC- Blocking Capacitor are attached outside and please use it.  
And these Capacitor should be placed as close as possible to the pin(No.4 and No.6).



## 5. Test circuit

\*Load  $10\text{k}\Omega//10\text{pF}$  contains the internal impedance of FET probe.



## 6. Environment mechanical characteristics

	Item	Conditions	Remark
1	High temperature storage	Ta=+85deg.C, judge on 240H storage	It must be met to the characteristics Judging criterion. Measurement shall be taken at room ambient within 2 to 24hours after each test.
2	Low temperature storage	Ta=-40deg.C, judge on 240H storage	
3	High temperature and high humidity storage	Ta=+85deg.C, RH=85%RH, judge on 240H storage	
4	Temperature cycle test	Ta=-40 to +85deg.C 30min. each 10cycles	
5	Drop test	A test piece (100g) made of Teflon is dropped 3cycles (1cycle: 6 directions) from the height of 150cm on hard board	
6	Vibration test	10 to 55 to 10Hz 1.5mm constant amplitude 1min. period X, Y, Z direction each 2H total 6H.	
7	Solder heat test	All terminal electrode shall be soldered at temperature of 350+/-5deg.C for 3+/-1sec. using a soldering iron.	
8	Solderability	Dip each of terminal electrode into 230+/-5deg.C solder pod for 5+/-0.5sec. after close, the test area of loads surfaces must be covered loads 90% by solder.	
9	Reflow soldering	Reflow soldering at 2times.	

Normal Condition: Temperature 25+/-2deg.C  
Humidity 30 to 70%RH

## Judge

Item	Specification
At 25deg.C frequency	+/-2.0ppm max(Before and After)

## 7. Reflow profile

7-1. Preheat:  $180 \pm 0/-10$ deg.C, 120sec (max)7-2. Peak Temperature:  $260 \pm 0/-10$ deg.C, 10sec (max)

7-3. PC-Board

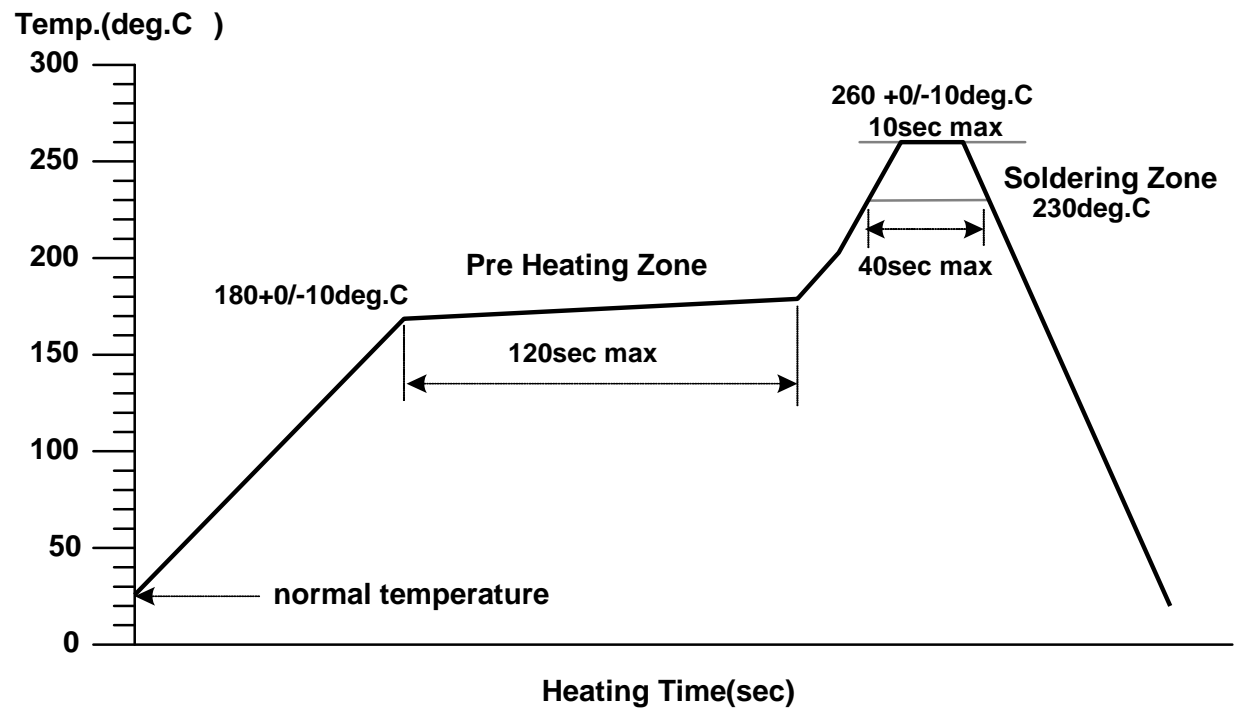
Material : FR-4

Size : 140mm\*110mm

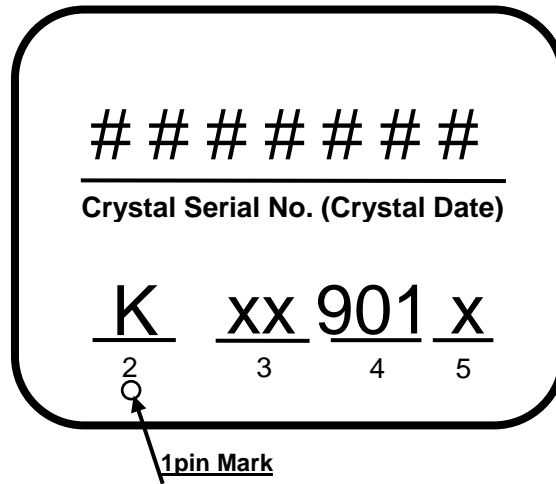
Thickness :  $t=0.8$ mm

7-4. Condition of Measurement Temperature: Surface of PC-BOARD

## Reflow Soldering Condition



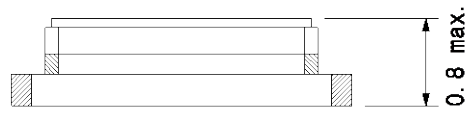
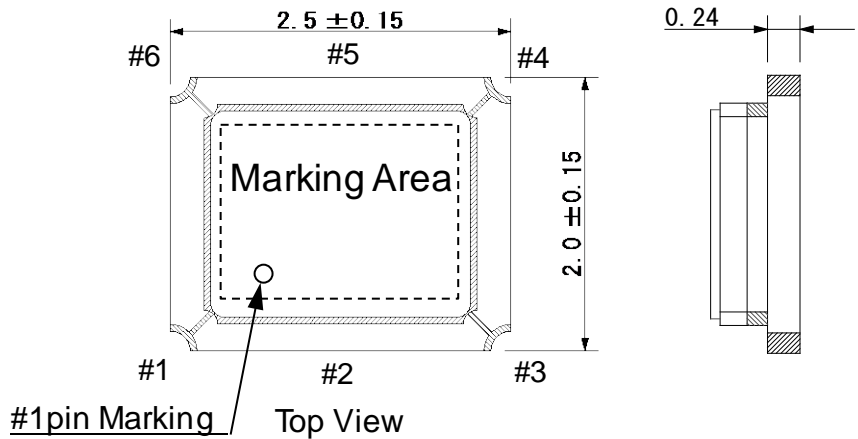
## 8. Marking contents



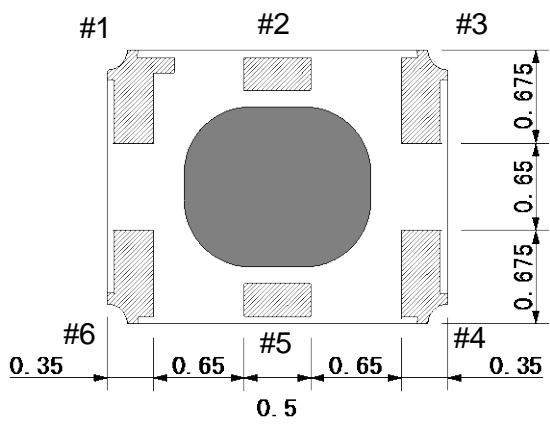
\*Laser Marking

	Contents	Example
1	1Pin identifier	○
2	Control Code1	K
3	Control Code2	xx
4	Weekly Code.	901 *The 2019 1st week 902 *The 2019 2nd week
5	Control Code3	x *Specification Code (Alphanumeric characters or nothing)

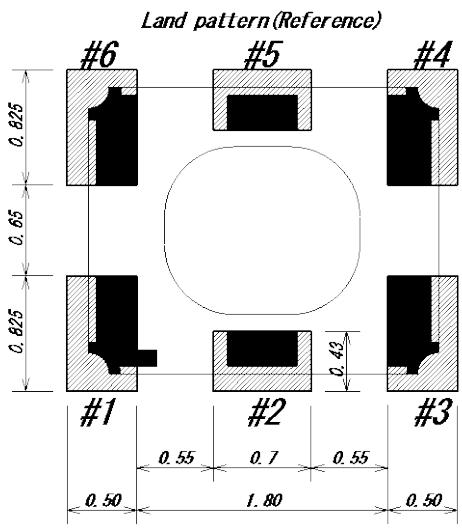
9. Dimensions



Side View



Bottom View



Land pattern (Reference)

Note1  
Terminal Coplanarity: 100um max

Note2  
Electrode : Cu + Ni + Au  
(10μ min+3μ min+0.03μ min)

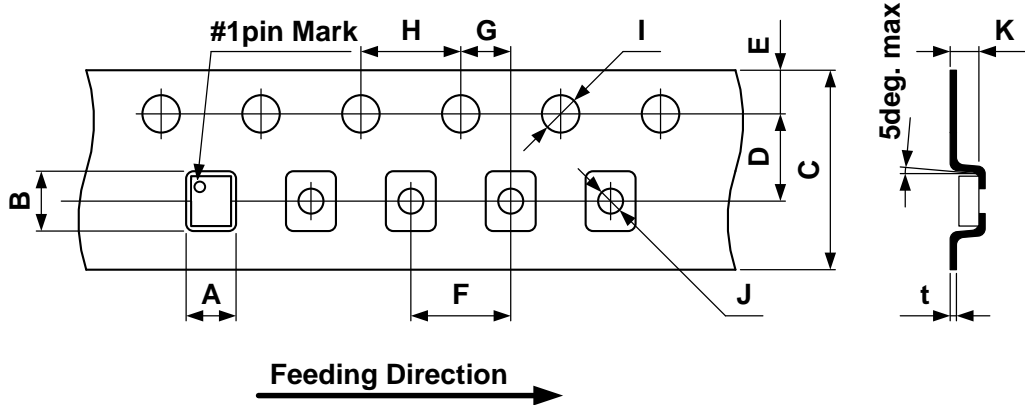
	Pin Connection
# 1 pin	N.C. or GND
# 2 pin	N.C.
# 3 pin	GND
# 4 pin	Output
# 5 pin	N.C.
# 6 pin	Vcc

Unit: mm



10. Tape & Reel

10-1. Tape specification



10-1-1. Carrier Tape material : PS Included Carbon

10-1-2. 1pin Mark is positioned on right side against the direction of feed.

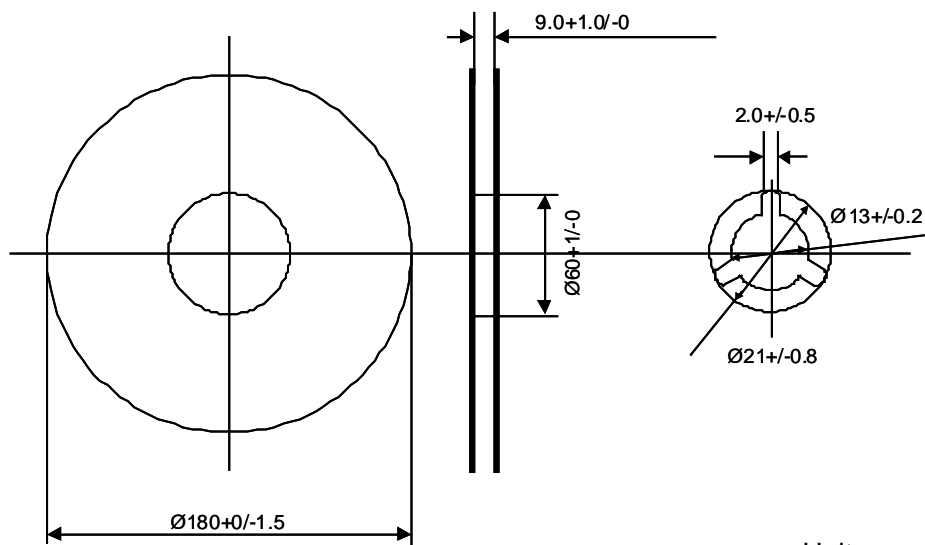
Unit: mm

Symbol	A	B	C	D	E
Dimension	2.40+/-0.1	2.90+/-0.1	8.00+0.3/-0.2	3.50+/-0.05	1.75+/-0.1

Symbol	F	G	H	I	J
Dimension	4.00+/-0.1	2.00+/-0.05	4.00+/-0.1	Φ1.5+0.1/-0	Φ1.1+/-0.1

Symbol	K	t
Dimension	1.15+/-0.1	0.25+/-0.05

10-2. Reel specification



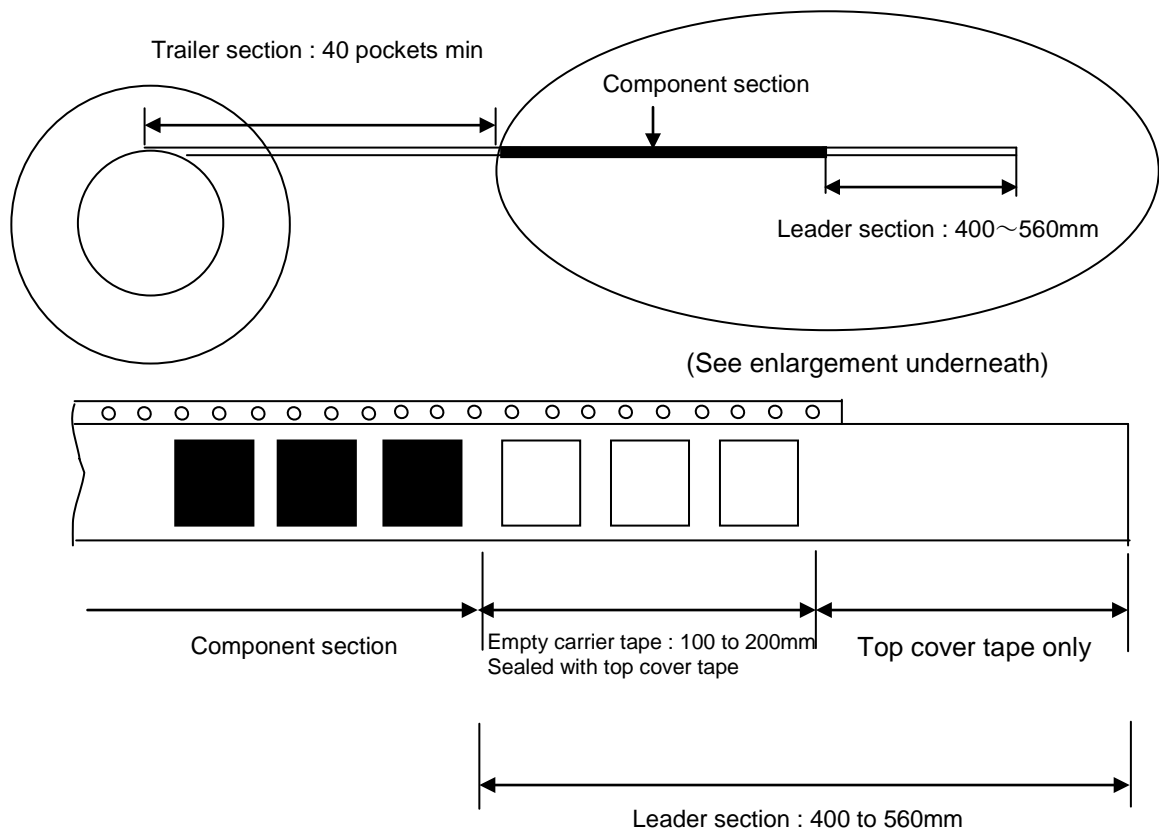
10-2-1. Reel material: PS Included Carbon

10-2-2. Reel unit: 3,000pcs max. /1Reel

## 10-3.Packing

## 10-3-1.Trailer &amp; Leader

As for the trailer and leader of taping, there are empty pockets as following drawing.  
Sprocket hole is positioned on upper side against the direction of feed.  
No missing components, excluding empty place.



## 10-4. Shipping label

Following item shall be listed on reel, bag and box.

“Customer’s name”, “Parts No”, “Lot No”, “Quantity”, “Order No”, “Date of manufacture”

The form of the label conforms to JEITA standard pattern C-3.

## 11. Top Cover breaking and peeling force

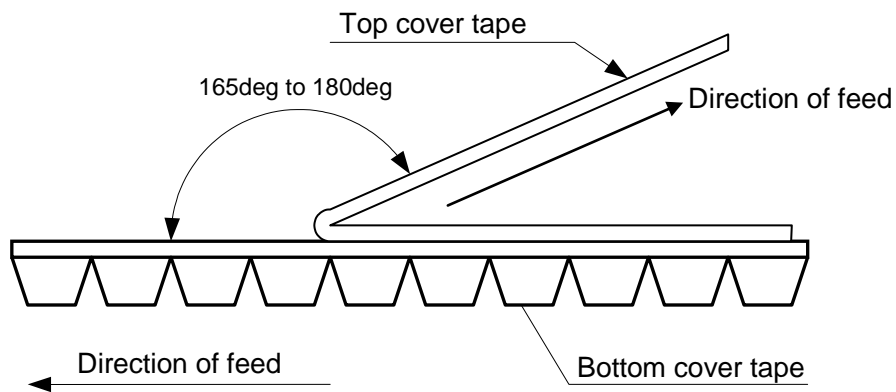
11-1. Reel Angle: 165 to 180deg

11-2. Tape Break Force: 10N min

11-3. Top Cover Tape Strength: 10N min

11-4. Top Cover Tape Peel Force: 0.1 to 1.0N

11-5. Top Cover Tape Peel Speed: 300+/-10mm / minute



## 12. Notice

- 12-1. Please use soldering iron and the spot heater within the range of a solder heat test condition.
- 12-2. Units should be stored in a dry environment keeping away from the sun.
- 12-3. Don't leave units in High-temperature and High-humidity environment due to terminal solderability.  
(Please keep 0 to 40deg.C and 30 to 70%RH for recommendable storage condition)
- 12-4. The term of a guarantee of taping packing is 6 months. (0 deg.C to 40 deg.C,RH30% to 70%)
- 12-5. Disapprove of washing.
- 12-6. Unless we receive request for modification within 1 month from the issue date of this KC specification sheet, we will supply products according to this specification.  
Also, if you'd like to modify specification of order, which has been placed with delivery within 1 month from the issue data of this specification sheet, we would like to discuss with you separately.
- 12-7. This product is intended to be used for general electronic equipment (information equipment, communication equipment, audio visual equipment, measuring equipment, home electric appliances, etc.). Devices and systems that are required for special quality and reliability, and whose failure or malfunction directly threatens human lives or that may cause harm to the human body (traffic equipment, safety equipment, aircraft and space, nuclear power control, life support equipment Please contact us in advance in case of using it for medical equipment including medical equipment etc.).
- 12-8. In no event shall the company be liable for any product failure resulting from an inappropriate handling or operation of the product beyond the scope of its guarantee.
- 12-9. Information contained in this specification must not be quoted, reproduced or used for other purposes including processing either in part or in full without obtaining prior approval from the company.
- 12-10. Please keep it at the place that was the ESD protective.  
Human model    1.5kohm 100pF : +/-1000V  
Machine model    0kohm 200pF : +/-200V

## 13. Production place

## 13-1 Manufacturer

KYOCERA Corporation.

## 13-2 The site of the Factory

1)5850 Higasine-Koh, Higasine-shi, Yamagata, 999-3701, Japan

## 14. Parts Numbering Guide

**KT2520K 25000 Z A W 18 T DS**  
A B C D E F G H

- A. Series (2.5x2.0 SMD KT2520K)
- B. Frequency (25.0MHz)
- C. Frequency temperature accuracy ( Z: Special specification )
- D. Minimum temperature range ( A: -40deg.C)
- E. Maximum temperature range ( W: +85deg.C )
- F. Supply voltage (18: 1.8V)
- G. Control voltage stability (T: TCXO)
- H. Customer special model Suffix

Компания «Life Electronics» занимается поставками электронных компонентов импортного и отечественного производства от производителей и со складов крупных дистрибьюторов Европы, Америки и Азии.

С конца 2013 года компания активно расширяет линейку поставок компонентов по направлению коаксиальный кабель, кварцевые генераторы и конденсаторы (керамические, пленочные, электролитические), за счёт заключения дистрибьюторских договоров

Мы предлагаем:

- Конкурентоспособные цены и скидки постоянным клиентам.
- Специальные условия для постоянных клиентов.
- Подбор аналогов.
- Поставку компонентов в любых объемах, удовлетворяющих вашим потребностям.
- Приемлемые сроки поставки, возможна ускоренная поставка.
- Доставку товара в любую точку России и стран СНГ.
- Комплексную поставку.
- Работу по проектам и поставку образцов.
- Формирование склада под заказчика.
- Сертификаты соответствия на поставляемую продукцию (по желанию клиента).
- Тестирование поставляемой продукции.
- Поставку компонентов, требующих военную и космическую приемку.
- Входной контроль качества.
- Наличие сертификата ISO.

В составе нашей компании организован Конструкторский отдел, призванный помогать разработчикам, и инженерам.

Конструкторский отдел помогает осуществить:

- Регистрацию проекта у производителя компонентов.
- Техническую поддержку проекта.
- Защиту от снятия компонента с производства.
- Оценку стоимости проекта по компонентам.
- Изготовление тестовой платы монтаж и пусконаладочные работы.



Тел: +7 (812) 336 43 04 (многоканальный)  
Email: [org@lifeelectronics.ru](mailto:org@lifeelectronics.ru)