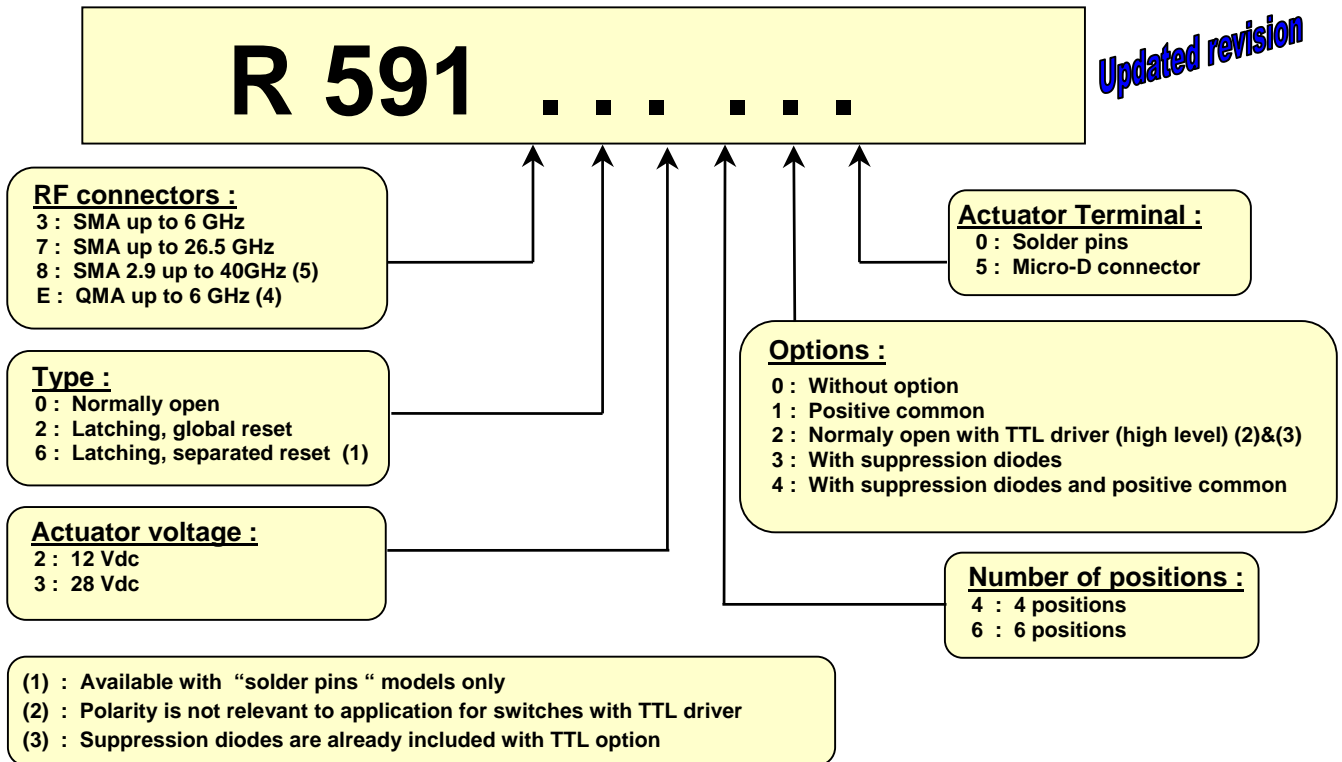


R591 RADIALL coaxial subminiature switches have a typical operating life exceeding 25 million cycles. Excellent RF & repeatability characteristics along with a guaranteed life of 10 million cycles make these switches ideal for Automated Test Equipment (ATE) and other measurement applications. These miniature switches are also an excellent choice for Mil/Aero applications due to their small size, light weight, as well as outstanding shock and vibration handling capabilities.

PART NUMBER SELECTION


(4) : The "QLF" trademark (quick lock formula®) standard applies to QMA and QN series and guarantees the full intermateability between suppliers using this trademark. Using QLF certified connectors also guarantees the specified level of RF performances.

(5) : Connector SMA 2.9 is equivalent to "K connector®", registered trademark of Anritsu.



In the continual goal to improve our products, we reserve the right to make any modification judged necessary.

GENERAL SPECIFICATIONS

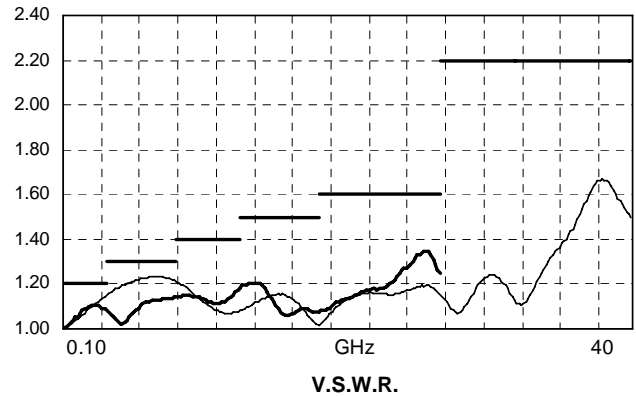
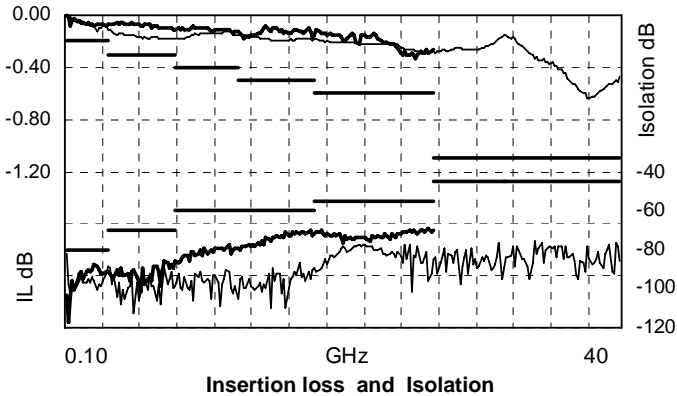
| Operating mode | | Normally open | | Latching | |
|----------------------------------------------------------------------------------------|------------|----------------------------------------------------------------------------------------------------------------------------------------------------------------------------------------------------------------|---------------------|-----------------------|---------------------|
| Nominal operating voltage (across operating temperature) | Vdc | 12 (10.2 / 13) | 28 (21 / 30) | 12 (10.2 / 13) | 28 (21 / 30) |
| Coil resistance (+/-10%) | Ohms | 48 | 250 | 60 | 285 |
| Operating current at 23°C | mA | 250 | 110 | 200 | 98 |
| Average power | | See Power Rating Chart on general catalog | | | |
| TTL input | High Level | 2.2 to 5.5 Volts | | | |
| | Low Level | 0 to 0.8 Volts | | | |
| Switching time (max) | ms | 10 | | | |
| Life | | 10 million cycles (SMA, QMA) / 2 million cycles (SMA 2.9) | | | |
| Connectors | | SMA / QMA / SMA 2.9 | | | |
| Actuator terminals | | Solder Pins : double row connector for wrapping, soldering (250°C max / 30 sec), or connecting to 2.54 mm pitch female connector. 9 pin micro-D receptacle M83513/07-A according to MIL-C-85513. | | | |
| Operating temperature range | °C | -40 to +85 | | | |
| Storage temperature range | °C | -55 to +85 | | | |
| Sine vibration (According to MIL STD 202, Method 204D, Cond. D) | | 10-2000 Hz, 20g | operating | | |
| Random vibration (According to MIL STD 202, Method 214A, Profile I, Cond. F) | | 50-2000 Hz, 20.71grms | operating | | |
| Shock (According to MIL STD 202, Method 213B, Cond. C) | | 100g / 6 ms, ½ sine | operating | | |

RF PERFORMANCES

| Connectors | Frequency Range GHz | V.S.W.R. (max) | Insertion Loss (max) dB | Isolation (min) dB | Impedance Ohms | |
|------------|---------------------|----------------|-------------------------|--------------------|----------------|----|
| SMA / QMA | DC – 6 | DC – 3 | 1.20 | 0.20 | 80 | 50 |
| | | 3 – 6 | 1.30 | 0.30 | 70 | |
| SMA | DC – 26.5 | DC – 3 | 1.20 | 0.20 | 80 | 50 |
| | | 3 – 8 | 1.30 | 0.30 | 70 | |
| | | 8 – 12.4 | 1.40 | 0.40 | 60 | |
| | | 12.4 – 18 | 1.50 | 0.50 | 60 | |
| SMA2.9 | DC – 40 | 18 – 26.5 | 1.60 | 0.60 | 55 | 50 |
| | | DC – 3 | 1.20 | 0.20 | 80 | |
| | | 3 – 8 | 1.30 | 0.30 | 70 | |
| | | 8 – 12.4 | 1.40 | 0.40 | 60 | |
| | | 12.4 – 18 | 1.50 | 0.50 | 60 | |
| | | 18 – 26.5 | 1.70 | 0.70 | 55 | |
| | 26.5 – 40 | 2.20 | 1.10 | 45 | | |

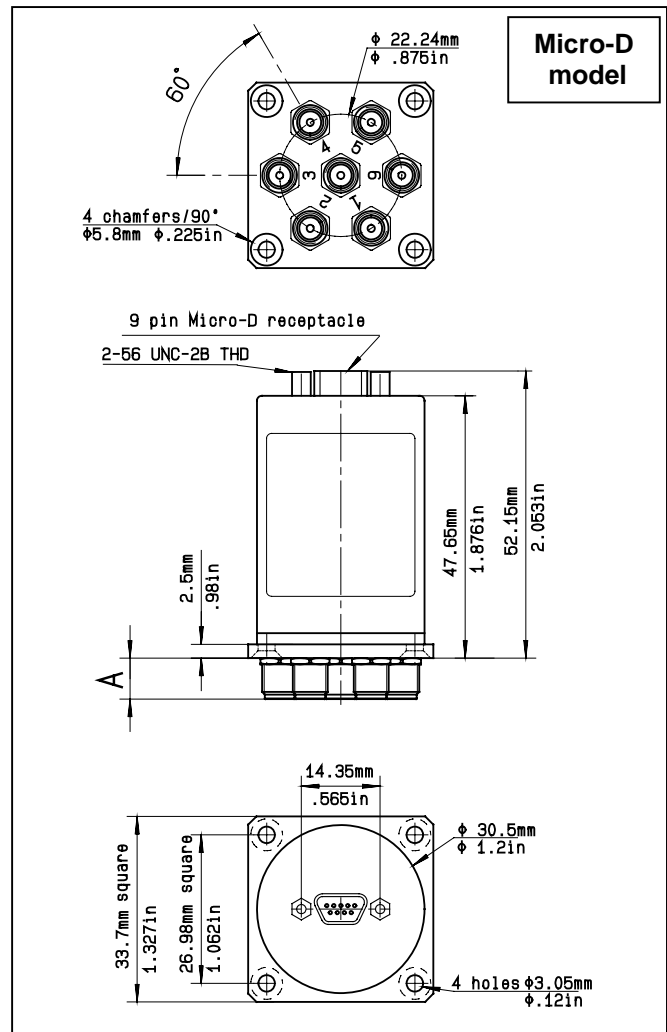
In the continual goal to improve our products, we reserve the right to make any modification judged necessary.

TYPICAL RF PERFORMANCES



TYPICAL OUTLINE DRAWING (1)

| Connectors | SMA | SMA 2.9 | QMA |
|--------------------|------------|----------|-------------|
| A max (mm/ inches) | 7.4/ 0.291 | 6.5/0.26 | 10.8/ 0.425 |

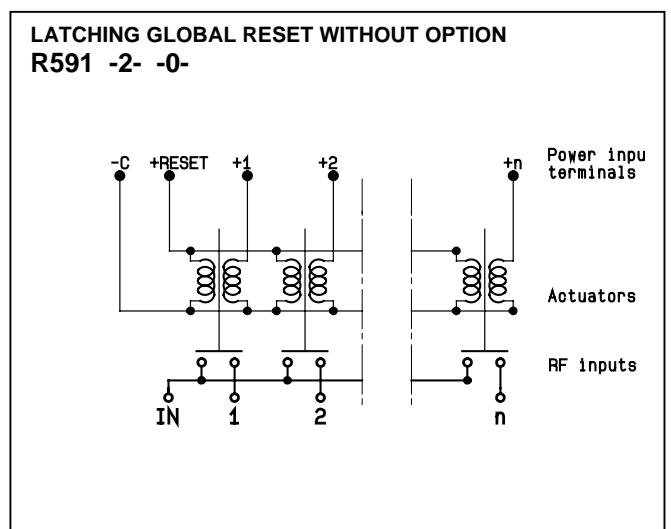
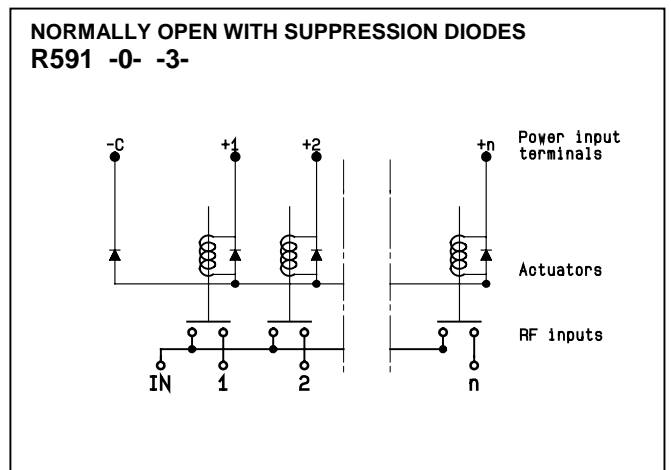
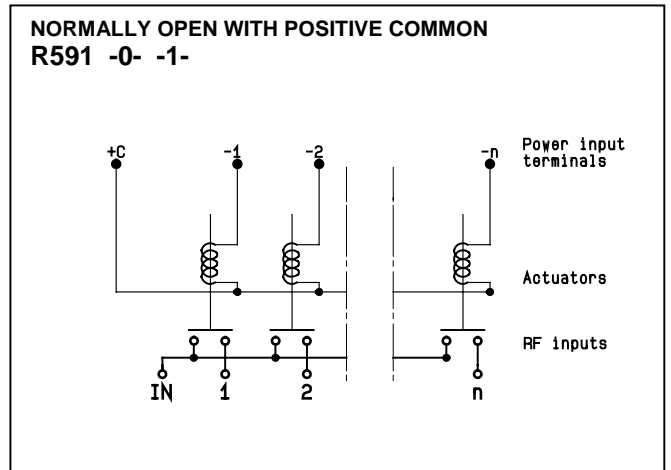


(1) : For SP4T, ways 3 and 6 not connected

all dimensions are in mm/ inches

In the continual goal to improve our products, we reserve the right to make any modification judged necessary.

R591 series electrical schematics



In the continual goal to improve our products, we reserve the right to make any modification judged necessary.

R591 series electrical schematics

LATCHING GLOBAL RESET WITH POSITIVE COMMON
R591 -2- -1-



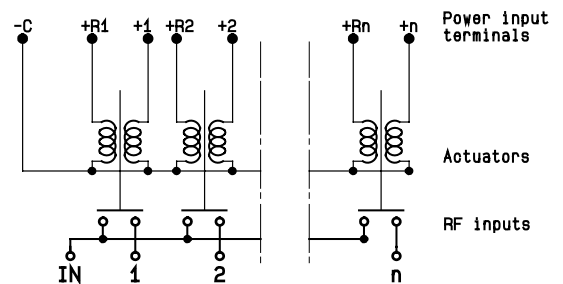
LATCHING GLOBAL RESET WITH SUPPRESSION DIODES
R591 -2- -3-



LATCHING GLOBAL RESET WITH POSITIVE COMMON AND SUPPRESSION DIODES
R591 -2- -4-



LATCHING SEPARATED RESET WITHOUT OPTION
R591 -6- -0-



LATCHING SEPARATED RESET WITH POSITIVE COMMON
R591 -6- -1-



LATCHING SEPARATED RESET WITH SUPPRESSION DIODES
R591 -6- -3-



In the continual goal to improve our products, we reserve the right to make any modification judged necessary.

R591 series electrical schematics



Pin identification

Solder pins (top view)*



9 pin Micro-D (top view)



- NC : not connected
- For SP4T, ways 3 and 6 not connected
- Pin R = reset of all paths

* : compatible with 2.54 mm pitch double row 16 contact femelle connector

| Type | | PIN | | | | | | | | | | | | | | |
|------------------------------|-----------------|------------|-----|----|----|----|----|----|----|--------|--------|--------|--------|--------|--------|--------|
| | | C | V | 1 | 2 | 3 | 4 | 5 | 6 | R | R1 | R2 | R3 | R4 | R5 | R6 |
| Normally open | negative common | -C | NC | +1 | +2 | +3 | +4 | +5 | +6 | NC | NC | NC | NC | NC | NC | NC |
| | positive common | +C | NC | -1 | -2 | -3 | -4 | -5 | -6 | NC | NC | NC | NC | NC | NC | NC |
| Latching | negative common | -C | NC | +1 | +2 | +3 | +4 | +5 | +6 | +reset | NC | NC | NC | NC | NC | NC |
| global reset | positive common | +C | NC | -1 | -2 | -3 | -4 | -5 | -6 | -reset | NC | NC | NC | NC | NC | NC |
| Latching | negative common | -C | NC | +1 | +2 | +3 | +4 | +5 | +6 | NC | +res.1 | +res.2 | +res.3 | +res.4 | +res.5 | +res.6 |
| individual reset | positive common | +C | NC | -1 | -2 | -3 | -4 | -5 | -6 | NC | -res.1 | -res.2 | -res.3 | -res.4 | -res.5 | -res.6 |
| Normally open with TTL drive | | Gnd or RTN | Vcc | E1 | E2 | E3 | E4 | E5 | E6 | NC | NC | NC | NC | NC | NC | NC |

In the continual goal to improve our products, we reserve the right to make any modification judged necessary.

Компания «Life Electronics» занимается поставками электронных компонентов импортного и отечественного производства от производителей и со складов крупных дистрибьюторов Европы, Америки и Азии.

С конца 2013 года компания активно расширяет линейку поставок компонентов по направлению коаксиальный кабель, кварцевые генераторы и конденсаторы (керамические, пленочные, электролитические), за счёт заключения дистрибьюторских договоров

Мы предлагаем:

- Конкурентоспособные цены и скидки постоянным клиентам.
- Специальные условия для постоянных клиентов.
- Подбор аналогов.
- Поставку компонентов в любых объемах, удовлетворяющих вашим потребностям.
- Приемлемые сроки поставки, возможна ускоренная поставка.
- Доставку товара в любую точку России и стран СНГ.
- Комплексную поставку.
- Работу по проектам и поставку образцов.
- Формирование склада под заказчика.
- Сертификаты соответствия на поставляемую продукцию (по желанию клиента).
- Тестирование поставляемой продукции.
- Поставку компонентов, требующих военную и космическую приемку.
- Входной контроль качества.
- Наличие сертификата ISO.

В составе нашей компании организован Конструкторский отдел, призванный помогать разработчикам, и инженерам.

Конструкторский отдел помогает осуществить:

- Регистрацию проекта у производителя компонентов.
- Техническую поддержку проекта.
- Защиту от снятия компонента с производства.
- Оценку стоимости проекта по компонентам.
- Изготовление тестовой платы монтаж и пусконаладочные работы.



Тел: +7 (812) 336 43 04 (многоканальный)
Email: org@lifeelectronics.ru