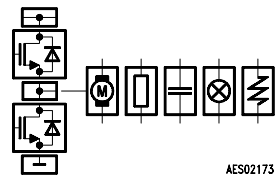




## 1 Overview

### 1.1 Features

- Six High-Side and six Low-Side-Drivers
- Free configurable as switch, halfbridge or H-bridge
- Optimized for DC motor management applications
- 0.6 A continuous (1 A peak) current per switch
- $R_{DS\ ON}$ : typ. 0.8  $\Omega$ , @ 25 °C per switch
- Outputs fully short circuit protected with diagnosis
- Overtemperature-Protection with hysteresis and diagnosis
- Temperature prewarning
- Standard SPI-Interface
- Very low current consumption (typ. 10  $\mu$ A, @ 25 °C) in stand-by (Inhibit) mode
- Over- and Undervoltage-Lockout
- CMOS/TTL compatible inputs with hysteresis
- Internal clamp diodes
- Enhanced power P-DSO-Package
- Green Product (RoHS compliant)
- AEC Qualified



AES02173

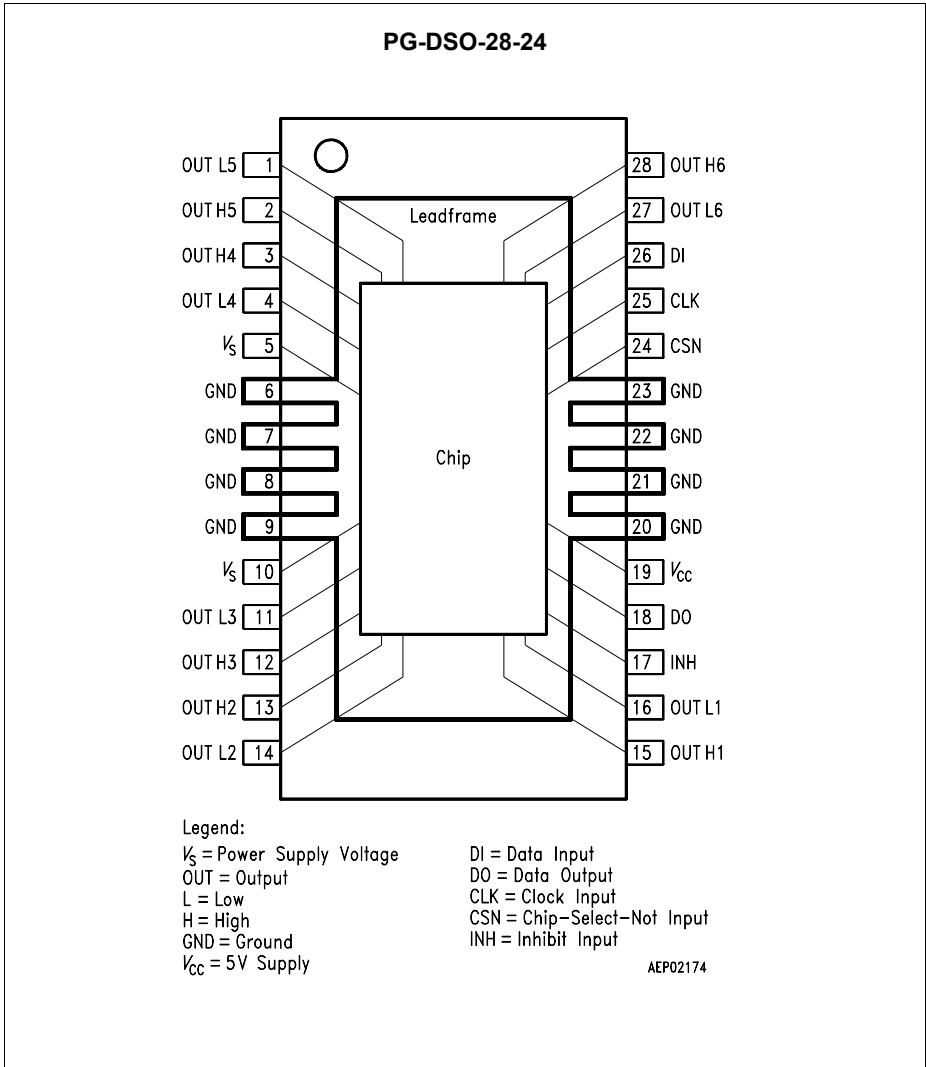
Type	Package
TLE 6208-6 G	PG-DSO-28-24

### Functional Description

The TLE 6208-6 G is a fully protected **Hex-Half-Bridge-Driver** designed specifically for automotive and industrial motion control applications. The part is based on Infineons Smart Power Technology SPT® which allows bipolar and CMOS control circuitry in accordance with DMOS power devices existing on the same monolithic circuitry. The six low and high side drivers are freely configurable and can be controlled separately. Therefore all kind of loads can be combined. In motion control up to 5 actuators (DC-Motors) can be connected to the 6 halfbridge-outputs (cascade configuration). Operation modes forward (cw), reverse (ccw), brake and high impedance are controlled from a standard SPI-Interface. The possibility to control the outputs via software from a central logic, allows limiting the power dissipation. So the standard PG-DSO-28-24-package meets the application requirements and saves PCB-Board-space and cost.

Furthermore the build-in features like Over- and Undervoltage-Lockout, Over-Temperature-Protection and the very low quiescent current in stand-by mode opens a wide range of automotive- and industrial-applications.

**1.2 Pin Configuration**  
(top view)



**Figure 1**

### 1.3 Pin Definitions and Functions

Pin No.	Symbol	Function
1	OUTL5	<b>Low-Side-Output 5</b> ; Power-MOS open drain with internal reverse diode; no internal clamp diode or active zenering; short circuit protected and open load controlled.
2	OUTH5	<b>High-Side-Output 5</b> ; Power-MOS open source with internal reverse diode; no internal clamp diode or active zenering; short circuit protected and open load controlled.
3	OUTH4	<b>High-Side-Output 4</b> ; see pin2.
4	OUTL4	<b>Low-Side-Output 4</b> ; see pin1.
5	$V_s$	<b>Power supply</b> ; external connection to pin 10 necessary; needs a blocking capacitor as close as possible to GND Value: 22 $\mu$ F electrolytic in parallel to 220 nF ceramic.
6, 7, 8, 9	GND	<b>Ground</b> ; Reference potential; internal connection to pin 20, 21, 22 and 23; cooling tab; to reduce thermal resistance; place cooling areas on PCB close to this pins.
10	$V_s$	<b>Power Supply</b> ; see pin 5.
11	OUTL3	<b>Low-Side-Output 3</b> ; see pin1.
12	OUTH3	<b>High-Side-Output 3</b> ; see pin2.
13	OUTH2	<b>High-Side-Output 2</b> ; see pin2.
14	OUTL2	<b>Low-Side-Output 2</b> ; see pin1.
15	OUTH1	<b>High-Side-Output 1</b> ; see pin2.
16	OUTL1	<b>Low-Side-Output 1</b> ; see pin1.
17	INH	<b>Inhibit input</b> ; has an internal pull down; device is switched in standby condition by pulling the INH terminal low.
18	DO	<b>Serial-Data-Output</b> ; this 3-state output transfers diagnosis data to the control device; the output will remain 3-stated unless the device is selected by a low on Chip-Select-Not (CSN); see <b>Table 2</b> for Diagnosis protocol.
19	$V_{cc}$	<b>Logic supply voltage</b> ; needs a blocking capacitor as close as possible to GND; Value: 10 $\mu$ F electrolytic in parallel to 220 nF ceramic.

**1.3 Pin Definitions and Functions (cont'd)**

Pin No.	Symbol	Function
20, 21, 22, 23	GND	<b>Ground</b>
24	CSN	<b>Chip-Select-Not input;</b> CSN is an active low input; serial communication is enabled by pulling the CSN terminal low; CSN input should only be transitioned when CLK is low; CSN has an internal active pull up and requires CMOS logic level inputs.
25	CLK	<b>Serial clock input;</b> clocks the shiftregister; CLK has an internal active pull down and requires CMOS logic level inputs.
26	DI	<b>Serial data input;</b> receives serial data from the control device; serial data transmitted to DI is an 16bit control word with the Least Significant Bit (LSB) being transferred first: the input has an active pull down and requires CMOS logic level inputs; DI will accept data on the falling edge of CLK-signal; see <b>Table 1</b> for input data protocol.
27	OUTL6	<b>Low-Side-Output 6;</b> see pin1.
28	OUTH6	<b>High-Side-Output 6;</b> see pin2.

1.4 Functional Block Diagram

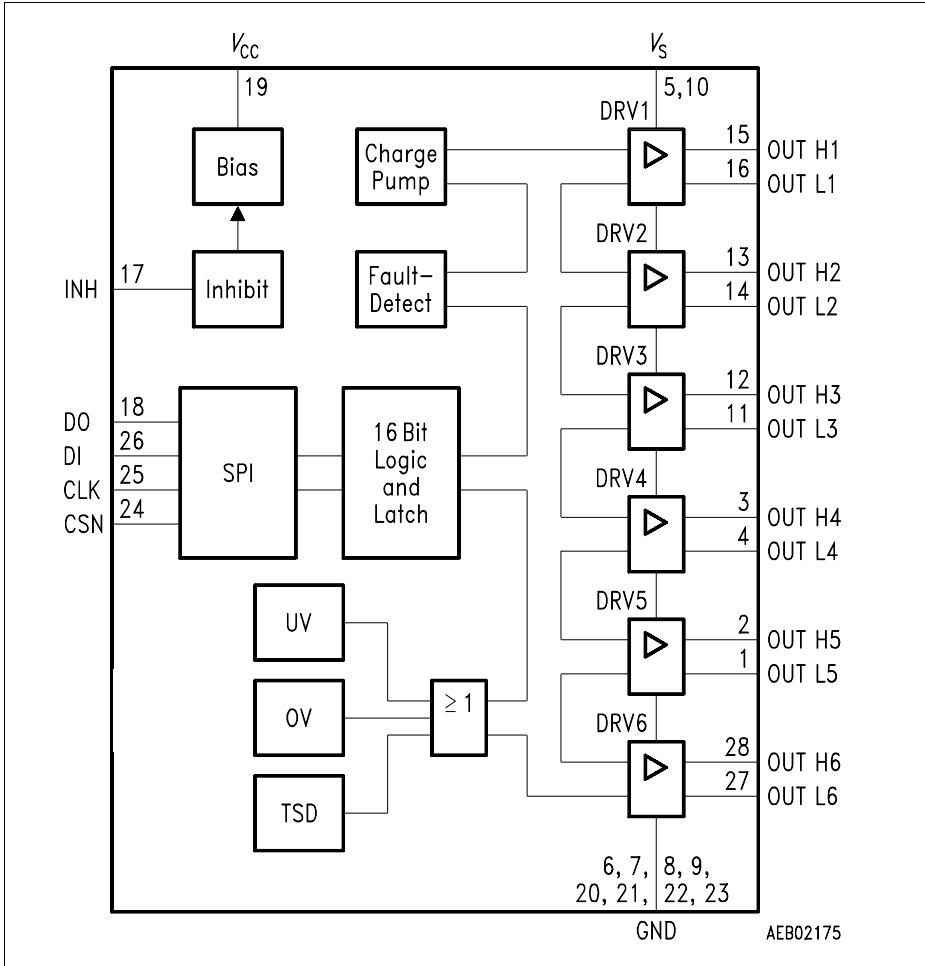


Figure 2  
Block Diagram TLE 6208-6 G

## 1.5 Circuit Description

**Figure 2** shows a block schematic diagram of the module.

There are 6 halfbridge drivers on the right-hand side. An HS driver and an LS driver are combined to form a halfbridge driver in each case.

The drivers communicate via the internal data bus with the logic and the other control and monitoring functions: undervoltage (UV), overvoltage (OV), overtemperature (TSD), charge pump and fault detect.

Two connection interfaces are provided for supply to the module: All power drivers are connected to the supply voltage  $V_S$ . These are monitored by overvoltage and undervoltage comparators with hysteresis, so that the correct function can be checked in the application at any time.

The logic is supplied by the  $V_{CC}$  voltage, typ. with 5 V. The  $V_{CC}$  voltage uses an internally generated Power-On Reset (POR) to initialize the module at power-on. The advantage of this system is that information stored in the logic remains intact in the event of short-term failures in the supply voltage  $V_S$ . The system can therefore continue to operate following  $V_S$  undervoltage, without having to be reprogrammed. The “undervoltage” information is stored, and can be read out via the interface. The same logically applies for overvoltage. “Interference spikes” on  $V_S$  are therefore effectively suppressed.

The situation is different in the case of undervoltage on the  $V_{CC}$  connection pin. If this occurs, then the internally stored data is deleted, and the output levels are switched to high-impedance status (tristate). The module is initialized by  $V_{CC}$  following restart (Power-On Reset = POR).

The 16-bit wide programming word or control word (see **Table 1**) is read in via the DI data input, and this is synchronized with the clock input CLK. The status word appears synchronously at the DO data output (see **Table 2**).

The transmission cycle begins when the chip is selected with the CSN input (H to L). If the CSN input changes from L to H then the word which has been read in becomes the control word. The DO output switches to tristate status at this point, thereby releasing the DO bus circuit for other uses.

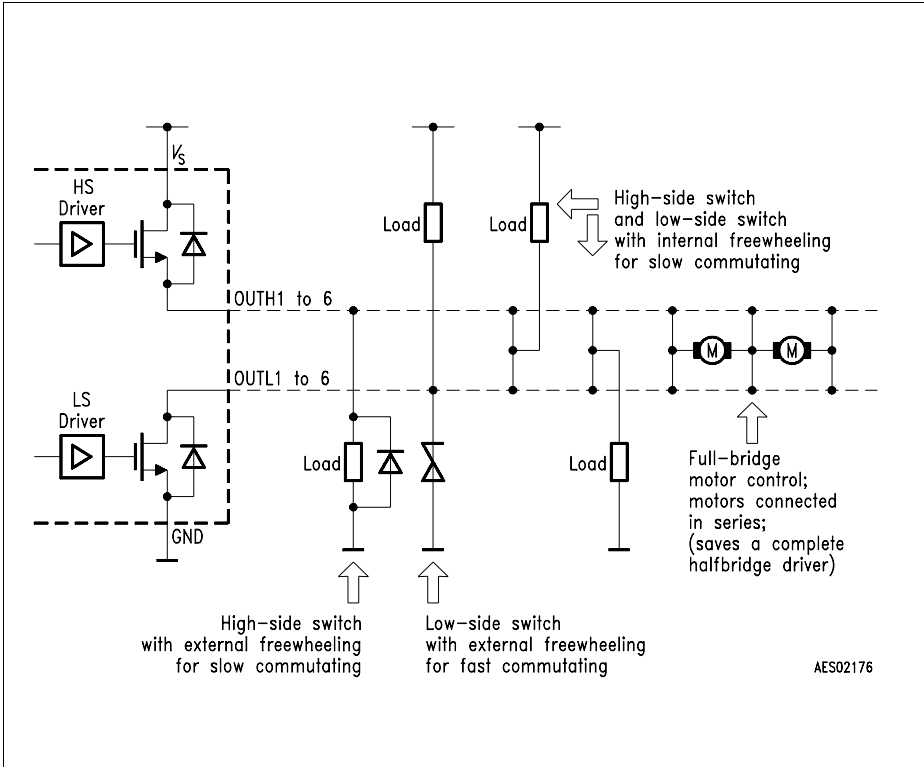
The INH inhibit input can be used to cut off the complete module. This reduces the current consumption to just a few  $\mu\text{A}$ , and results in the loss of any data stored. The output levels are switched to tristate status. The module is reinitialized with the internally generated POR (Power-On Reset) at restart.

This feature allows the use of this module in battery-operated applications (vehicle body control applications).

Every driver block from DRV 1 to 6 contains a low-side driver and a high-side driver. The output connections have been selected so that each HS driver and LS driver pair can be combined to form a halfbridge by short-circuiting adjacent connections. The full flexibility of the configuration can be achieved by dissecting the halfbridges into “quarter-bridges”.

**Table 3** shows examples of possible applications.

When commutating inductive loads, the dissipated power peak can be significantly reduced by activating the transistor located parallel to the internal freewheeling diode. A special, integrated “timer” for power ON/OFF times ensures there is no crossover current at the halfbridge.



**Figure 3**  
**Configuration Examples for “Quarter Bridges” on the TLE 6208-6 G**

**Table 1**  
**Input Data Protocol**

BIT	
15	OVLO on/off
14	Underload SD on/off
13	Overcurrent SD on/off
12	HS-Switch 6
11	LS-Switch 6
10	HS-Switch 5
9	LS-Switch 5
8	HS-Switch 4
7	LS-Switch 4
6	HS-Switch 3
5	LS-Switch 3
4	HS-Switch 2
3	LS-Switch 2
2	HS-Switch 1
1	LS-Switch 1
0	Status Register Reset

H = ON  
L = OFF

**Table 2**  
**Diagnosis Data Protocol**

BIT	
15	Power supply fail
14	Underload
13	Overload
12	Status HS-Switch 6
11	Status LS-Switch 6
10	Status HS-Switch 5
9	Status LS-Switch 5
8	Status HS-Switch 4
7	Status LS-Switch 4
6	Status HS-Switch 3
5	Status LS-Switch 3
4	Status HS-Switch 2
3	Status LS-Switch 2
2	Status HS-Switch 1
1	Status LS-Switch 1
0	Temp. Prewarning

H = ON  
L = OFF



**Table 3**  
**Fault Result Table**

<b>Fault</b>	<b>Diag.-Bit</b>	<b>Result</b>
Overcurrent (load)	13	Only the failed output is switched OFF. Function and protection can be deactivated by bit No. 13.
Short circuit to GND (high-side-switch)	13	Only the failed output is switched OFF. Function and protection can be deactivated by bit No. 13.
Short circuit to $V_s$ (low-side-switch)	13	Only the failed output is switched OFF. Function and protection can be deactivated by bit No. 13.
Temperature warning	0	Reaction of control device needed.
Temperature shut down (SD)	–	All outputs OFF.
Openload	14	Only the failed output is switched OFF. Function can be deactivated by bit No. 14.
Underload	14	Only the failed output is switched OFF. Function can be deactivated by bit No. 14.
Undervoltage lockout (UVLO)	15	All outputs OFF.
Overvoltage lockout (OVLO)	15	All outputs OFF. Function can be deactivated by bit No. 15.

H = failure;  
L = no failure.

## 2 Electrical Characteristics

### 2.1 Absolute Maximum Ratings

Parameter	Symbol	Limit Values		Unit	Remarks
		min.	max.		

#### Voltages

Supply voltage	$V_S$	- 0.3	40	V	-
Supply voltage	$V_S$	- 1	-	V	$t < 0.5 \text{ s}; I_S > - 2 \text{ A}$
Logic supply voltage	$V_{CC}$	- 0.3	5.5	V	$0 \text{ V} < V_S < 40 \text{ V}$
Logic input voltages (DI, CLK, CSN, INH)	$V_I$	- 0.3	5.5	V	$0 \text{ V} < V_S < 40 \text{ V}$ $0 \text{ V} < V_{CC} < 5.5 \text{ V}$
Logic output voltage (DO)	$V_{DO}$	- 0.3	$V_{CC}$	V	$0 \text{ V} < V_S < 40 \text{ V}$ $0 \text{ V} < V_{CC} < 5.5 \text{ V}$

#### Currents

Output current (cont.), if Bit13 (OCSD) is set.	$I_{OUT1-6}$	-	-	A	internal limited
Output current (cont.), if Bit13 (OCSD) is deactivated.	$I_{OUT1-6}$	- 1.5	1.5	A	$V_{DS} = 12 \text{ V}$
		- 0.7	0.7	A	$V_{DS} = 20 \text{ V}$
		- 0.25	0.25	A	$V_{DS} = 40 \text{ V}$
Output current (peak), if Bit13 (OCSD) is set.	$I_{OUT1-6}$	-	-	A	internal limited
Output current (peak), if Bit13 (OCSD) is deactivated. $t_p < 50 \text{ ms}; t = 1 \text{ s};$	$I_{OUT1-6}$	- 2	2	A	$V_{DS} = 12 \text{ V}$
		- 0.9	0.9	A	$V_{DS} = 20 \text{ V}$
		- 0.3	0.3	A	$V_{DS} = 40 \text{ V}$

#### Temperatures

Junction temperature	$T_j$	- 40	150	°C	-
Storage temperature	$T_{stg}$	- 50	150	°C	-

*Note: Maximum ratings are absolute ratings; exceeding any one of these values may cause irreversible damage to the integrated circuit.*

## 2.2 Operating Range

Parameter	Symbol	Limit Values		Unit	Remarks
		min.	max.		
Supply voltage	$V_S$	$V_{UV\ OFF}$	40	V	After $V_S$ rising above $V_{UV\ ON}$
Supply voltage slew rate	$dV_S/dt$	–	10	V/ $\mu$ s	–
Logic supply voltage	$V_{CC}$	4.75	5.50	V	–
Supply voltage increasing	$V_S$	– 0.3	$V_{UV\ ON}$	V	Outputs in tristate
Supply voltage decreasing	$V_S$	– 0.3	$V_{UV\ OFF}$	V	Outputs in tristate
Logic input voltage (DI, CLK, CSN, INH)	$V_I$	– 0.3	$V_{CC}$	V	–
SPI clock frequency	$f_{CLK}$	–	2	MHz	–
Junction temperature	$T_j$	– 40	150	°C	–

### Thermal Resistances

Junction pin	$R_{thj-pin}$	–	25	K/W	measured to pin 7
Junction ambient	$R_{thjA}$	–	65	K/W	–

## 2.3 Electrical Characteristics

8 V <  $V_S$  < 40 V; 4.75 V <  $V_{CC}$  < 5.25 V; INH = High; all outputs open;  $-40\text{ }^\circ\text{C} < T_j < 150\text{ }^\circ\text{C}$ ;  
unless otherwise specified

Parameter	Symbol	Limit Values			Unit	Test Condition
		min.	typ.	max.		

### Current Consumption

Quiescent current	$I_S$	–	10	20	$\mu\text{A}$	INH = Low; $V_S = 13.2\text{ V}$ ; $T_j = 25\text{ }^\circ\text{C}$
Quiescent current	$I_S$	–	–	40	$\mu\text{A}$	INH = Low; $V_S = 13.2\text{ V}$
Supply current	$I_S$	–	2.0	4.0	mA	–
Logic-Supply current	$I_{CC}$	–	2	10	$\mu\text{A}$	INH = Low
Logic-Supply current	$I_{CC}$	–	1.6	3.0	mA	SPI not active

### Over- and Under-Voltage Lockout

UV-Switch-ON voltage	$V_{UV\ ON}$	–	6.5	7.0	V	$V_S$ increasing
UV-Switch-OFF voltage	$V_{UV\ OFF}$	5.5	6.0	6.6	V	$V_S$ decreasing
UV-ON/OFF-Hysteresis	$V_{UV\ HY}$	–	0.5	–	V	$V_{UV\ ON} - V_{UV\ OFF}$
OV-Switch-OFF voltage	$V_{OV\ OFF}$	34	37	40	V	$V_S$ increasing
OV-Switch-ON voltage	$V_{OV\ ON}$	28	32	36	V	$V_S$ decreasing
OV-ON/OFF-Hysteresis	$V_{OV\ HY}$	–	5.0	–	V	$V_{OV\ OFF} - V_{OV\ ON}$

### 2.3 Electrical Characteristics (cont'd)

8 V <  $V_S$  < 40 V; 4.75 V <  $V_{CC}$  < 5.25 V; INH = High; all outputs open;  $-40\text{ }^\circ\text{C} < T_j < 150\text{ }^\circ\text{C}$ ;  
unless otherwise specified

Parameter	Symbol	Limit Values			Unit	Test Condition
		min.	typ.	max.		

#### Outputs OUTH1-6 and OUTL1-6

##### Static Drain-Source-On Resistance

Source (High-Side) $I_{OUT} = -0.5\text{ A}$	$R_{DS\ ON\ H}$	–	0.9	1.3	$\Omega$	$8\text{ V} < V_S < 40\text{ V}$ $T_j = 25\text{ }^\circ\text{C}$
			–	2.0	$\Omega$	$8\text{ V} < V_S < 40\text{ V}$
			2.0	–	$\Omega$	$V_{S\ OFF} < V_S \leq 8\text{ V}$ $T_j = 25\text{ }^\circ\text{C}$
			–	4.0	$\Omega$	$V_{S\ OFF} < V_S \leq 8\text{ V}$
Sink (Low-Side) $I_{OUT} = 0.5\text{ A}$	$R_{DS\ ON\ L}$	–	0.8	1.2	$\Omega$	$8\text{ V} < V_S < 40\text{ V}$ $T_j = 25\text{ }^\circ\text{C}$
			–	2.0	$\Omega$	$8\text{ V} < V_S < 40\text{ V}$
			2.0	–	$\Omega$	$V_{S\ OFF} < V_S \leq 8\text{ V}$ $T_j = 25\text{ }^\circ\text{C}$
			–	4.0	$\Omega$	$V_{S\ OFF} < V_S \leq 8\text{ V}$

Note: Values of  $R_{DS\ ON}$  for  $V_{S\ OFF} < V_S \leq 8\text{ V}$  are guaranteed by design.

##### Leakage Current

Source-Output-Stage 1 to 6	$I_{QLH}$	– 1	–	–	$\mu\text{A}$	$V_{OUTH1-6} = 0\text{ V}$ $T_j = 25\text{ }^\circ\text{C}$
Source-Output-Stage 1 to 6	$I_{QLH}$	– 5	–	–	$\mu\text{A}$	$V_{OUTH1-6} = 0\text{ V}$
Sink-Output-Stage 1 to 6	$I_{QLL}$	–	–	1	$\mu\text{A}$	$V_{OUTL1-6} = V_S$ $T_j = 25\text{ }^\circ\text{C}$
Sink-Output-Stage 1 to 6	$I_{QLL}$	–	–	5	$\mu\text{A}$	$V_{OUTL1-6} = V_S$

### 2.3 Electrical Characteristics (cont'd)

8 V <  $V_S$  < 40 V; 4.75 V <  $V_{CC}$  < 5.25 V; INH = High; all outputs open; - 40 °C <  $T_j$  < 150 °C; unless otherwise specified

Parameter	Symbol	Limit Values			Unit	Test Condition
		min.	typ.	max.		

#### Overcurrent

Source shutdown threshold	$I_{SDU}$	- 2.0	- 1.5	- 1.0	A	-
Sink shutdown threshold	$I_{SDL}$	1.0	1.5	2.0	A	-
Current limit	$I_{OCL}$	-	3.0	5.0	A	sink and source
Shutdown delay time	$t_{dSD}$	10	25	50	µs	sink and source

#### Open Circuit

Detection current	$I_{OCD}$	15	30	50	mA	-
Delay time	$t_{dOC}$	200	350	600	µs	-

#### Delay Time from Stand-by to Data In

Setup time	$t_{set}$	-	-	100	µs	-
------------	-----------	---	---	-----	----	---

*Note: setup time is guaranteed by design*

#### Output Delay Times; $V_S = 13.2$ V; $R_{Load} = 25$ Ω (device not in stand-by for $t > 1$ ms)

Source (high-side) ON	$t_{d ON H}$	-	7.5	12	µs	-
Source (high-side) OFF	$t_{d OFF H}$	-	3	6	µs	-
Sink (low-side) ON	$t_{d ON L}$	-	6.5	12	µs	-
Sink (low-side) OFF	$t_{d OFF L}$	-	2	5	µs	-
Dead time H to L	$t_{D HL}$	1.5	-	-	µs	$t_{d ON L} - t_{d OFF H}$
Dead time L to H	$t_{D LH}$	2.5	-	-	µs	$t_{d ON H} - t_{d OFF L}$

### 2.3 Electrical Characteristics (cont'd)

$8\text{ V} < V_S < 40\text{ V}$ ;  $4.75\text{ V} < V_{CC} < 5.25\text{ V}$ ; INH = High; all outputs open;  $-40\text{ }^\circ\text{C} < T_j < 150\text{ }^\circ\text{C}$ ; unless otherwise specified

Parameter	Symbol	Limit Values			Unit	Test Condition
		min.	typ.	max.		

**Output Switching Times;  $V_S = 13.2\text{ V}$ ;  $R_{Load} = 25\ \Omega$**  (device not in stand-by for  $t > 1\text{ ms}$ )

Source (high-side) rise-time	$t_{ONH}$	–	4	8	$\mu\text{s}$	–
Source (high-side) fall-time	$t_{OFFH}$	–	2	3	$\mu\text{s}$	–
Sink (low-side) fall-time	$t_{ONL}$	–	1	3	$\mu\text{s}$	–
Sink (low-side) rise-time	$t_{OFFL}$	–	1	2	$\mu\text{s}$	–

#### Clamp Diodes Forward Voltage

Upper	$V_{FU}$	–	0.9	1.3	V	$I_F = 0.5\text{ A}$
Lower	$V_{FL}$	–	0.9	1.3	V	$I_F = 0.5\text{ A}$

#### Inhibit Input

H-input voltage threshold	$V_{IH}$	–	–	0.7	$V_{CC}$	–
L-input voltage threshold	$V_{IL}$	0.2	–	–	$V_{CC}$	–
Hysteresis of input voltage	$V_{IHY}$	50	200	500	mV	–
Pull down current	$I_I$	10	25	50	$\mu\text{A}$	$V_I = 0.2 \times V_{CC}$
Input capacitance	$C_I$	–	10	15	pF	$0\text{ V} < V_{CC} < 5.25\text{ V}$

*Note: Capacitances are guaranteed by design*

### 2.3 Electrical Characteristics (cont'd)

$8\text{ V} < V_S < 40\text{ V}$ ;  $4.75\text{ V} < V_{CC} < 5.25\text{ V}$ ; INH = High; all outputs open;  $-40\text{ }^\circ\text{C} < T_j < 150\text{ }^\circ\text{C}$ ; unless otherwise specified

Parameter	Symbol	Limit Values			Unit	Test Condition
		min.	typ.	max.		

#### SPI-Interface

##### Delay Time from Stand-by to Data In

Setup time	$t_{set}$	–	–	100	$\mu\text{s}$	–
------------	-----------	---	---	-----	---------------	---

#### Logic Inputs DI, CLK and CSN

H-input voltage threshold	$V_{IH}$	–	–	0.7	$V_{CC}$	–
L-input voltage threshold	$V_{IL}$	0.2	–	–	$V_{CC}$	–
Hysteresis of input voltage	$V_{IHY}$	50	200	500	mV	–
Pull up current at pin CSN	$I_{ICSN}$	– 50	– 25	– 10	$\mu\text{A}$	$V_{CSN} = 0.7 \times V_{CC}$
Pull down current at pin DI	$I_{IDI}$	10	25	50	$\mu\text{A}$	$V_{DI} = 0.2 \times V_{CC}$
Pull down current at pin CLK	$I_{ICLK}$	10	25	50	$\mu\text{A}$	$V_{CLK} = 0.2 \times V_{CC}$
Input capacitance at pin CSN, DI or CLK	$C_I$	–	10	15	pF	$0\text{ V} < V_{CC} < 5.25\text{ V}$

*Note: Capacitances are guaranteed by design*

#### Logic Output DO

H-output voltage level	$V_{DOH}$	$V_{CC} - 1.0$	$V_{CC} - 0.7$	–	V	$I_{DOH} = 1\text{ mA}$
L-output voltage level	$V_{DOL}$	–	0.2	0.4	V	$I_{DOL} = -1.6\text{ mA}$
Tri-state leakage current	$I_{DOLK}$	– 10	–	10	$\mu\text{A}$	$V_{CSN} = V_{CC}$ $0\text{ V} < V_{DO} < V_{CC}$
Tri-state input capacitance	$C_{DO}$	–	10	15	pF	$V_{CSN} = V_{CC}$ $0\text{ V} < V_{CC} < 5.25\text{ V}$

*Note: Capacitances are guaranteed by design*



### 2.3 Electrical Characteristics (cont'd)

8 V <  $V_S$  < 40 V; 4.75 V <  $V_{CC}$  < 5.25 V; INH = High; all outputs open;  $-40\text{ }^\circ\text{C} < T_j < 150\text{ }^\circ\text{C}$ ;  
unless otherwise specified

Parameter	Symbol	Limit Values			Unit	Test Condition
		min.	typ.	max.		

#### Data Input Timing

Clock period	$t_{pCLK}$	500	–	–	ns	–
Clock high time	$t_{CLKH}$	250	–	–	ns	–
Clock low time	$t_{CLKL}$	250	–	–	ns	–
Clock low before CSN low	$t_{bef}$	250	–	–	ns	–
CSN setup time	$t_{lead}$	250	–	–	ns	–
CSN high time	$t_{CSNH}$	12	–	–	$\mu\text{s}$	–
CLK setup time	$t_{lag}$	250	–	–	ns	–
Clock low after CSN high	$t_{beh}$	250	–	–	ns	–
DI setup time	$t_{DISU}$	40	–	–	ns	–
DI hold time	$t_{DIHO}$	40	–	–	ns	–
Input signal rise time at pin DI, CLK and CSN	$t_{rIN}$	–	–	200	ns	–
Input signal fall time at pin DI, CLK and CSN	$t_{fIN}$	–	–	200	ns	–

#### Data Output Timing

DO rise time	$t_{rDO}$	–	50	100	ns	$C_L = 100\text{ pF}$
DO fall time	$t_{fDO}$	–	50	100	ns	$C_L = 100\text{ pF}$
DO enable time	$t_{ENDO}$	–	–	250	ns	low impedance
DO disable time	$t_{DISDO}$	–	–	250	ns	high impedance
DO valid time	$t_{VADO}$	–	100	250	ns	$V_{DO} < 0.2 V_{CC}$ ; $V_{DO} > 0.7 V_{CC}$ ; $C_L = 100\text{ pF}$

*Note: SPI timing is guaranteed by design. CSN high time: This is the minimum time the user must wait between SPI commands.*

### 2.3 Electrical Characteristics (cont'd)

$8\text{ V} < V_S < 40\text{ V}$ ;  $4.75\text{ V} < V_{CC} < 5.25\text{ V}$ ; INH = High; all outputs open;  $-40\text{ }^\circ\text{C} < T_j < 150\text{ }^\circ\text{C}$ ; unless otherwise specified

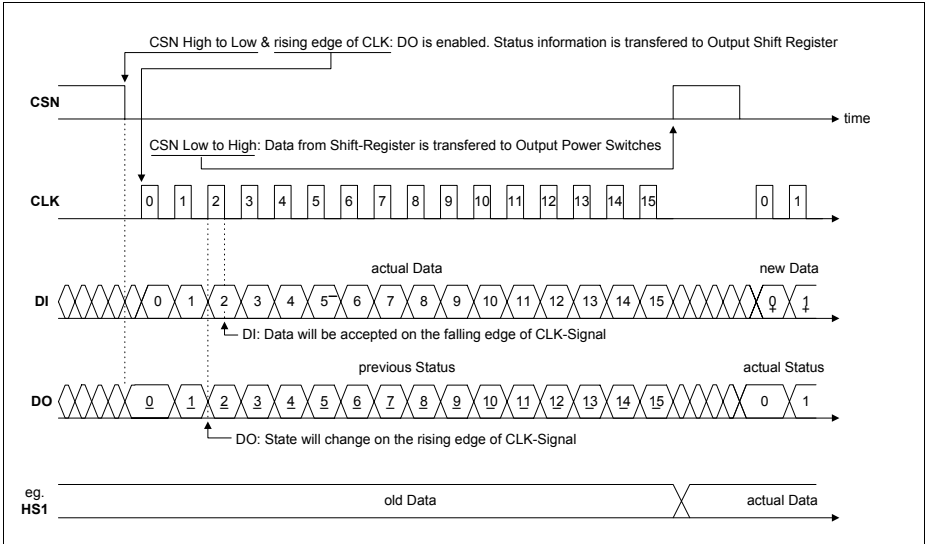
Parameter	Symbol	Limit Values			Unit	Test Condition
		min.	typ.	max.		

#### Thermal Prewarning and Shutdown

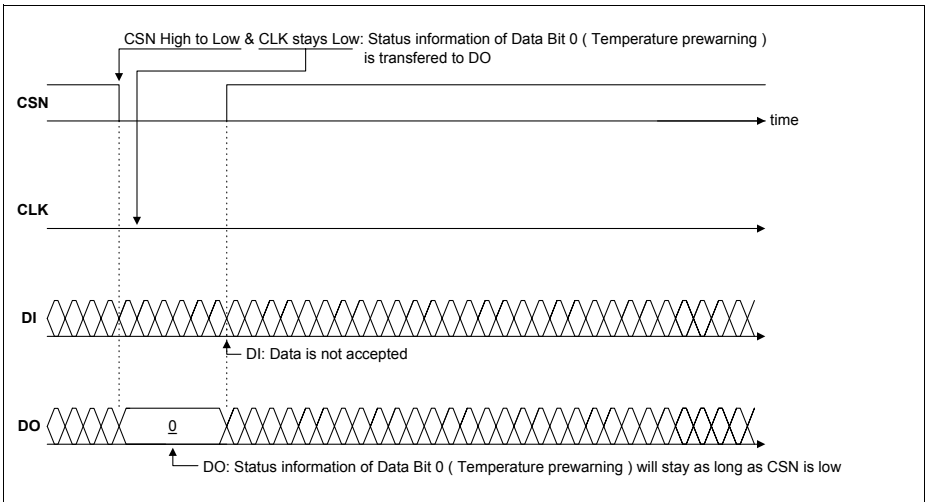
Thermal prewarning junction temperature	$T_{jPW}$	120	145	170	$^\circ\text{C}$	–
Temperature prewarning hysteresis	$\Delta T$	–	30	–	K	–
Thermal shutdown junction temperature	$T_{jSD}$	150	175	200	$^\circ\text{C}$	–
Thermal switch-on junction temperature	$T_{jSO}$	120	–	170	$^\circ\text{C}$	–
Temperature shutdown hysteresis	$\Delta T$	–	30	–	K	–
Ratio of SD to PW temperature	$T_{jSD} / T_{jPW}$	1.05	1.20	–	–	–

*Note: Temperatures are guaranteed by design*

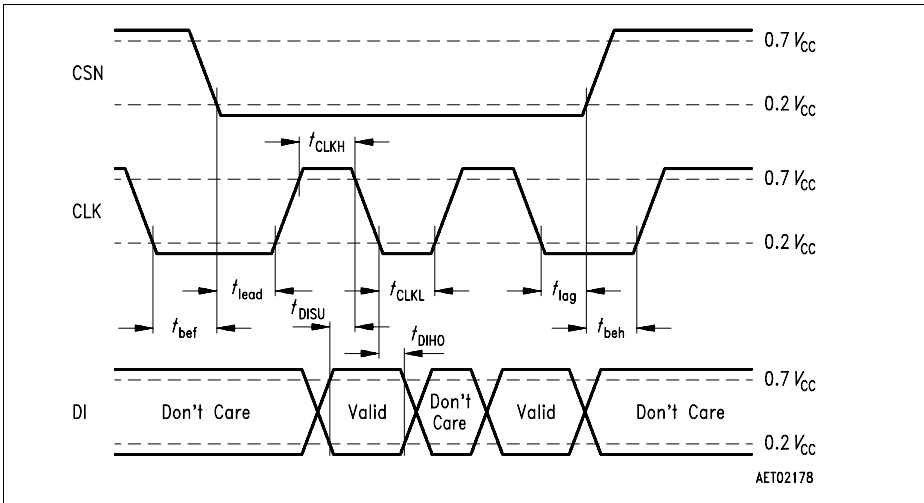
### 3 Timing Diagrams



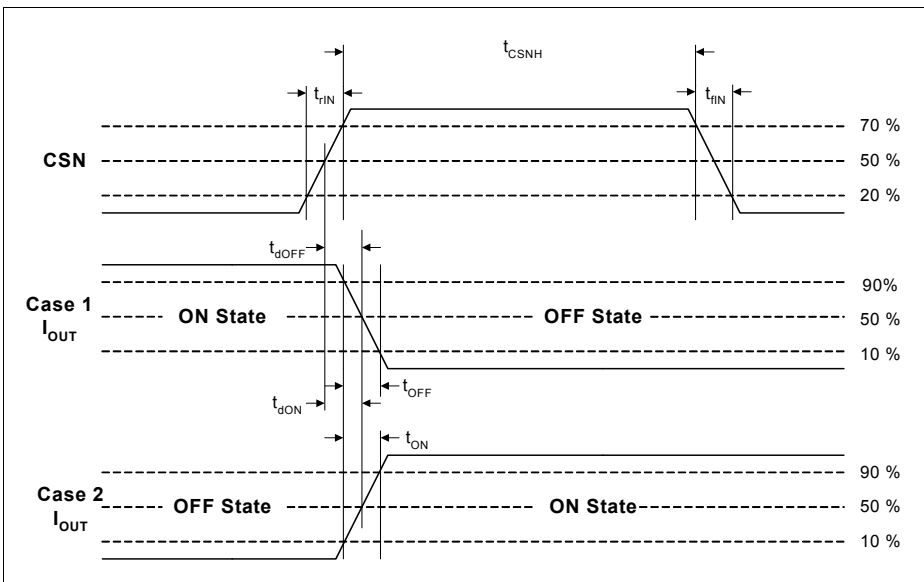
**Figure 4**  
Standard Data Transfer Timing



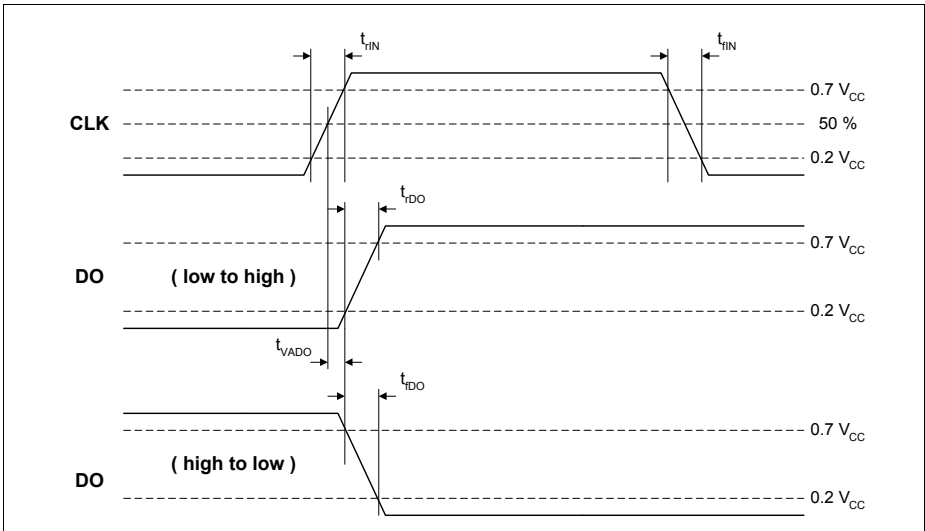
**Figure 5**  
Timing for Temperature Prewarning only



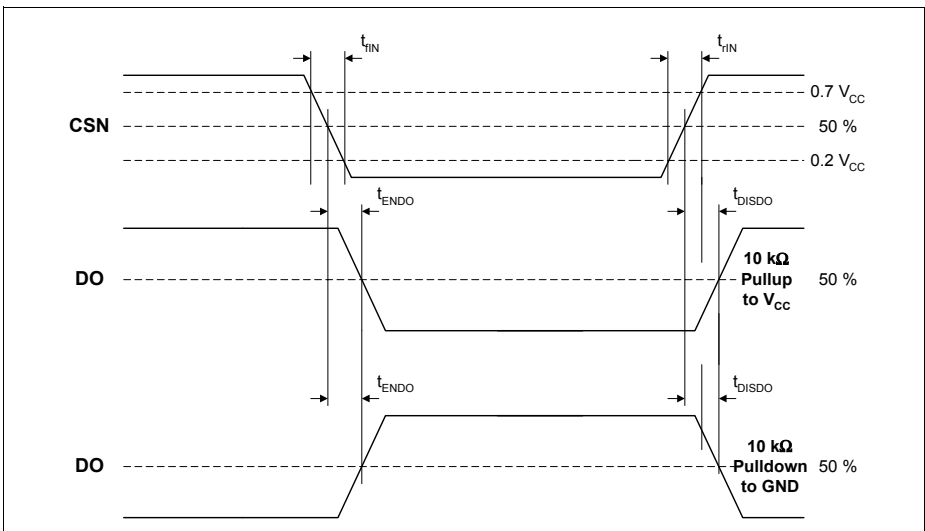
**Figure 6**  
**SPI-Input Timing**



**Figure 7**  
**Turn OFF/ON Time**



**Figure 8**  
DO Valid Data Delay Time and Valid Time



**Figure 9**  
DO Enable and Disable Time

4 Application

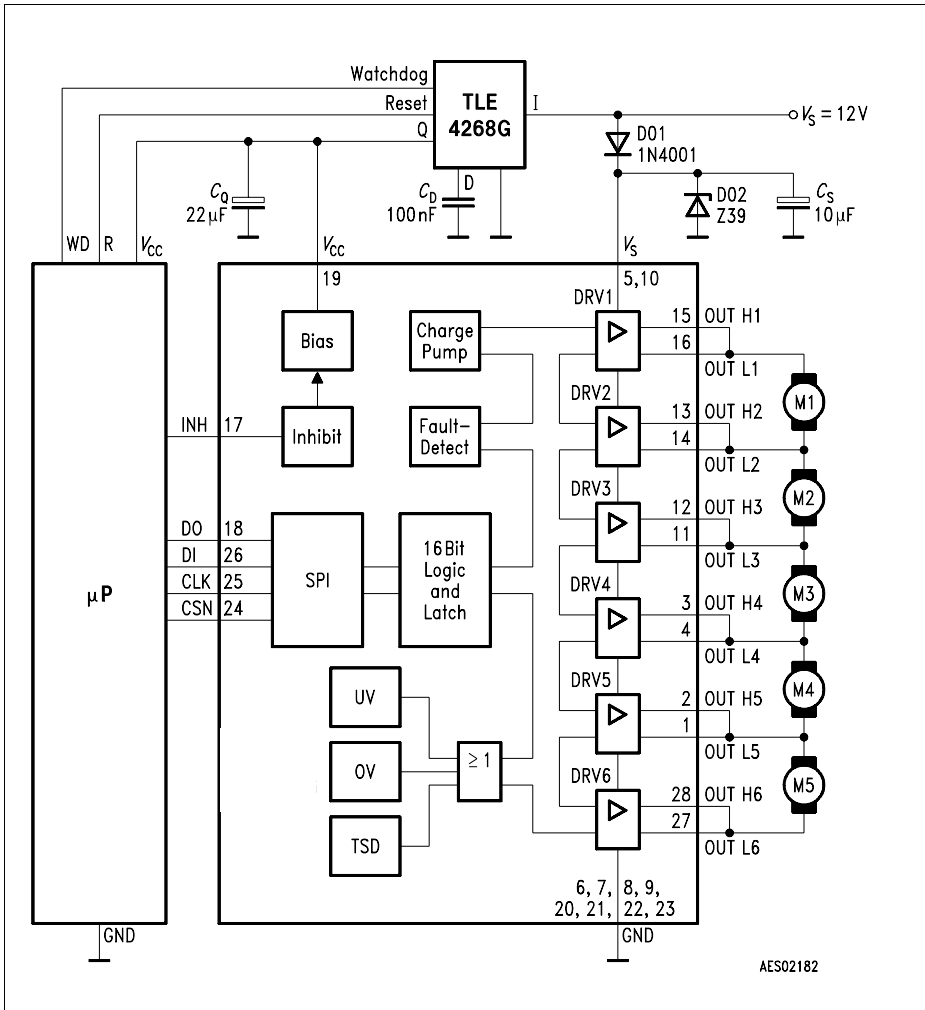


Figure 10  
Application Circuit

5 Package Outlines

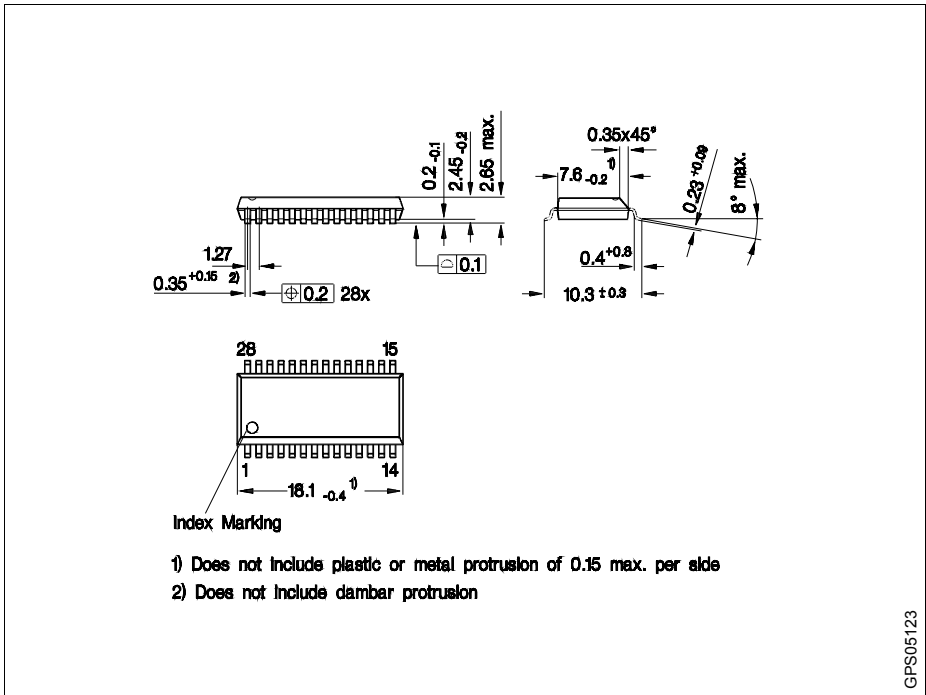


Figure 11 PG-DSO-28-24 (Plastic Dual Small Outline)

**Green Product** (RoHS compliant)

To meet the world-wide customer requirements for environmentally friendly products and to be compliant with government regulations the device is available as a green product. Green products are RoHS-Compliant (i.e Pb-free finish on leads and suitable for Pb-free soldering according to IPC/JEDEC J-STD-020).

You can find all of our packages, sorts of packing and others in our Infineon Internet Page "Products": <http://www.infineon.com/products>.

SMD = Surface Mounted Device

Dimensions in mm

## Revision History

Version	Date	Changes
Rev. 1.1	2007-09-12	<p>RoHS-compliant version of the TLE 6208-6 G</p> <ul style="list-style-type: none"><li>• All pages: Infineon logo updated</li><li>• Page 1: “added AEC qualified” and “RoHS” logo, “Green Product (RoHS compliant)” and “AEC qualified” statement added to feature list, package name changed to RoHS compliant versions, package picture updated, ordering code removed</li><li>• Page 23: Package name changed to RoHS compliant versions, “Green Product” description added</li><li>• Page 24-25: added Revision History and Legal Disclaimer</li></ul>



**Edition 2007-09-12**

**Published by  
Infineon Technologies AG  
81726 Munich, Germany**

**© 9/14/07 Infineon Technologies AG  
All Rights Reserved.**

#### **Legal Disclaimer**

The information given in this document shall in no event be regarded as a guarantee of conditions or characteristics. With respect to any examples or hints given herein, any typical values stated herein and/or any information regarding the application of the device, Infineon Technologies hereby disclaims any and all warranties and liabilities of any kind, including without limitation, warranties of non-infringement of intellectual property rights of any third party.

#### **Information**

For further information on technology, delivery terms and conditions and prices, please contact the nearest Infineon Technologies Office ([www.infineon.com](http://www.infineon.com)).

#### **Warnings**

Due to technical requirements, components may contain dangerous substances. For information on the types in question, please contact the nearest Infineon Technologies Office.

Infineon Technologies components may be used in life-support devices or systems only with the express written approval of Infineon Technologies, if a failure of such components can reasonably be expected to cause the failure of that life-support device or system or to affect the safety or effectiveness of that device or system. Life support devices or systems are intended to be implanted in the human body or to support and/or maintain and sustain and/or protect human life. If they fail, it is reasonable to assume that the health of the user or other persons may be endangered.

Компания «Life Electronics» занимается поставками электронных компонентов импортного и отечественного производства от производителей и со складов крупных дистрибьюторов Европы, Америки и Азии.

С конца 2013 года компания активно расширяет линейку поставок компонентов по направлению коаксиальный кабель, кварцевые генераторы и конденсаторы (керамические, пленочные, электролитические), за счёт заключения дистрибьюторских договоров

Мы предлагаем:

- Конкуренспособные цены и скидки постоянным клиентам.
- Специальные условия для постоянных клиентов.
- Подбор аналогов.
- Поставку компонентов в любых объемах, удовлетворяющих вашим потребностям.
- Приемлемые сроки поставки, возможна ускоренная поставка.
- Доставку товара в любую точку России и стран СНГ.
- Комплексную поставку.
- Работу по проектам и поставку образцов.
- Формирование склада под заказчика.
- Сертификаты соответствия на поставляемую продукцию (по желанию клиента).
- Тестирование поставляемой продукции.
- Поставку компонентов, требующих военную и космическую приемку.
- Входной контроль качества.
- Наличие сертификата ISO.

В составе нашей компании организован Конструкторский отдел, призванный помогать разработчикам, и инженерам.

Конструкторский отдел помогает осуществить:

- Регистрацию проекта у производителя компонентов.
- Техническую поддержку проекта.
- Защиту от снятия компонента с производства.
- Оценку стоимости проекта по компонентам.
- Изготовление тестовой платы монтаж и пусконаладочные работы.



Тел: +7 (812) 336 43 04 (многоканальный)

Email: [org@lifeelectronics.ru](mailto:org@lifeelectronics.ru)