

## 100324 Low Power Hex TTL-to-ECL Translator

### General Description

The 100324 is a hex translator, designed to convert TTL logic levels to 100K ECL logic levels. The inputs are compatible with standard or Schottky TTL. A common Enable (E), when LOW, holds all inverting outputs HIGH and holds all true outputs LOW. The differential outputs allow each circuit to be used as an inverting/non-inverting translator, or as a differential line driver. The output levels are voltage compensated over the full  $-4.2V$  to  $-5.7V$  range.

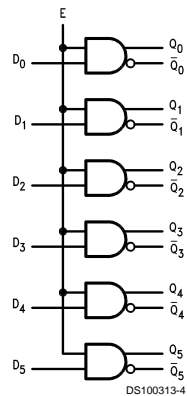
When the circuit is used in the differential mode, the 100324, due to its high common mode rejection, overcomes voltage gradients between the TTL and ECL ground systems. The  $V_{EE}$  and  $V_{TTL}$  power may be applied in either order.

The 100324 is pin and function compatible with the 100124 with similar AC performance, but features power dissipation roughly half of the 100124 to ease system cooling requirements.

### Features

- Pin/function compatible with 100124
- Meets 100124 AC specifications
- 50% power reduction of the 100124
- Differential outputs
- 2000V ESD protection
- $-4.2V$  to  $-5.7V$  operating range
- Standard Microcircuit Drawing (SMD) 5962-9153001

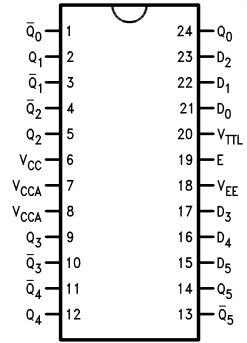
### Logic Diagram



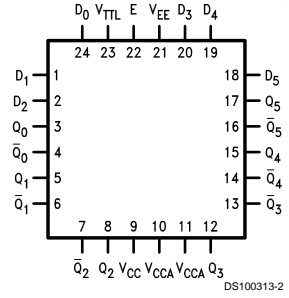
Pin Names	Description
$D_0$ – $D_5$	Data Inputs
E	Enable Input
$Q_0$ – $Q_5$	Data Outputs
$\overline{Q_0}$ – $\overline{Q_5}$	Complementary Data Outputs

## Connection Diagrams

24-Pin DIP



24-Pin Quad Cerpak



## Absolute Maximum Ratings (Note 1)

If Military/Aerospace specified devices are required, please contact the National Semiconductor Sales Office/Distributors for availability and specifications.

Above which the useful life may be impaired.

Storage Temperature ( $T_{STG}$ )	-65°C to +150°C
Maximum Junction Temperature ( $T_J$ )	
Ceramic	+175°C
$V_{EE}$ Pin Potential to Ground Pin	-7.0V to +0.5V
$V_{TTL}$ Pin Potential to Ground Pin	-0.5V to +6.0V
Input Voltage (DC)	-0.5V to +6.0V
Output Current (DC Output HIGH)	-50 mA

ESD (Note 2)

≥2000V

## Recommended Operating Conditions

Case Temperature ( $T_C$ )	
Military	-55°C to +125°C
Supply Voltage ( $V_{EE}$ )	-5.7V to -4.2V

**Note 1:** Absolute maximum ratings are those values beyond which the device may be damaged or have its useful life impaired. Functional operation under these conditions is not implied.

**Note 2:** ESD testing conforms to MIL-STD-883, Method 3015.

## Military Version

### DC Electrical Characteristics

$V_{EE} = -4.2V$  to  $-5.7V$ ,  $V_{CC} = V_{CCA} = GND$ ,  $T_C = -55°C$  to  $+125°C$ ,  $V_{TTL} = +4.5V$  to  $+5.5V$

Symbol	Parameter	Min	Max	Units	$T_C$	Conditions	Notes	
$V_{OH}$	Output HIGH Voltage	-1025	-870	mV	0°C to +125°C	$V_{IN} = V_{IH} (Max)$ or $V_{IL} (Min)$	Loading with 50Ω to -2.0V	(Notes 3, 4, 5)
		-1085	-870	mV	-55°C			
$V_{OL}$	Output LOW Voltage	-1830	-1620	mV	0°C to +125°C			
		-1830	-1555	mV	-55°C			
$V_{OHC}$	Output HIGH Voltage	-1035		mV	0°C to +125°C	$V_{IN} = V_{IH} (Max)$ or $V_{IL} (Min)$	Loading with 50Ω to -2.0V	(Notes 3, 4, 5)
		-1085		mV	-55°C			
$V_{OLC}$	Output LOW Voltage		-1610	mV	0°C to +125°C			
			-1555	mV	-55°C			
$V_{IH}$	Input HIGH Voltage	2.0	5.0	V	-55°C to +125°C	Over $V_{TTL}$ , $V_{EE}$ , $T_C$ Range	(Notes 3, 4, 5, 6)	
$V_{IL}$	Input LOW Voltage	0.0	0.8	V	-55°C to +125°C	Over $V_{TTL}$ , $V_{EE}$ , $T_C$ Range	(Notes 3, 4, 5, 6)	
$I_{IH}$	Input HIGH Current Breakdown Test		20	μA	-55°C to +125°C	$V_{IN} = +2.7V$	(Notes 3, 4, 5)	
			100	μA	-55°C to +125°C	$V_{IN} = +7.0V$		
$I_{IL}$	Input LOW Current Data Enable	-0.9		mA	-55°C to +125°C	$V_{IN} = +0.4V$	(Notes 3, 4, 5)	
		-5.4						
$V_{FCD}$	Input Clamp Diode Voltage		-1.2	V	-55°C to +125°C	$I_{IN} = -18 mA$	(Notes 3, 4, 5)	
$I_{EE}$	$V_{EE}$ Power Supply Current	-70	-22	mA	-55°C to +125°C	All Inputs $V_{IN} = +4.0V$	(Notes 3, 4, 5)	
$I_{TTL}$	$V_{TTL}$ Power Supply Current		38	mA	-55°C to +125°C	All Inputs $V_{IN} = GND$	(Notes 3, 4, 5)	

**Note 3:** F100K 300 Series cold temperature testing is performed by temperature soaking (to guarantee junction temperature equals -55°C), then testing immediately without allowing for the junction temperature to stabilize due to heat dissipation after power-up. This provides "cold start" specs which can be considered a worst case condition at cold temperatures.

**Note 4:** Screen tested 100% on each device at -55°C, +25°C, and +125°C, Subgroups 1, 2, 3, 7, and 8.

**Note 5:** Sample tested (Method 5005, Table I) on each manufactured lot at -55°C, +25°C, and +125°C, Subgroups A1, 2, 3, 7, and 8.

**Note 6:** Guaranteed by applying specified input condition and testing  $V_{OH}/V_{OL}$ .

## AC Electrical Characteristics

$V_{EE} = -4.2V$  to  $-5.7V$ ,  $V_{CC} = V_{CCA} = GND$ ,  $V_{TTL} = +4.5V$  to  $+5.5V$

Symbol	Parameter	$T_C = -55°C$		$T_C = +25°C$		$T_C = +125°C$		Units	Conditions	Notes
		Min	Max	Min	Max	Min	Max			
$t_{PLH}$	Propagation Delay	0.50	3.00	0.50	2.90	0.30	3.30	ns	Figures 1, 2	(Notes 7, 8, 9)
$t_{PHL}$	Data and Enable to Output									
$t_{TLH}$	Transition Time	0.35	1.80	0.45	1.80	0.45	1.80	ns		(Note 10)
$t_{THL}$	20% to 80%, 80% to 20%									

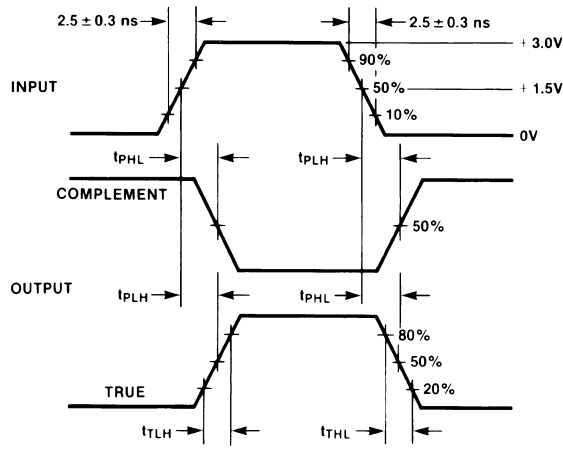
**Note 7:** F100K 300 Series cold temperature testing is performed by temperature soaking (to guarantee junction temperature equals -55°C), then testing immediately after power-up. This provides "cold start" specs which can be considered a worst case condition at cold temperatures.

**Note 8:** Screen tested 100% on each device at +25°C temperature only, Subgroup A9.

**Note 9:** Sample tested (Method 5005, Table I) on each manufactured lot at +25°C, Subgroup A9, and at +125°C and -55°C temperatures, Subgroups A10 and A11.

**Note 10:** Not tested at +25°C, +125°C, and -55°C temperature (design characterization data).

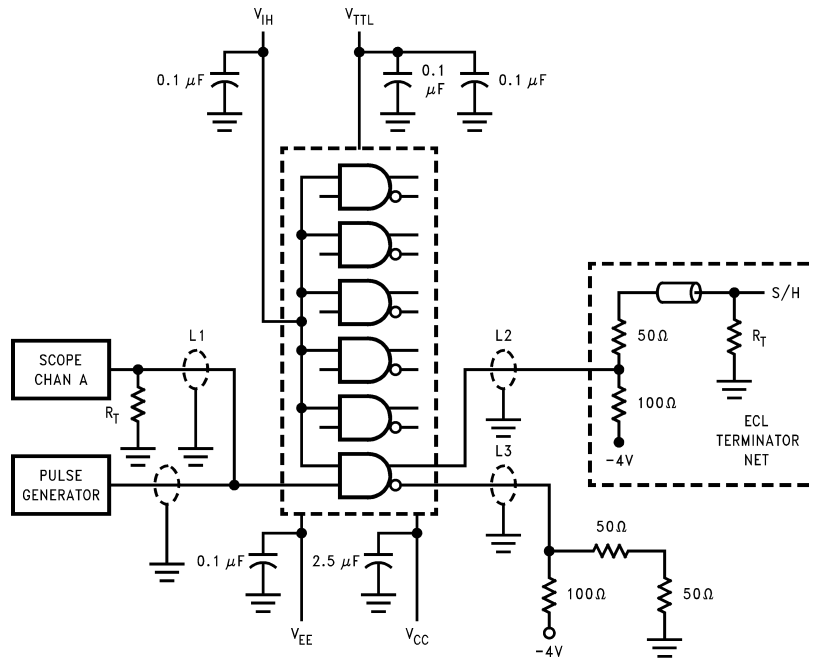
## Switching Waveform



DS100313-6

FIGURE 1. Propagation Delay and Transition Times

## Test Circuit



DS100313-5

### Note:

$V_{CC}$ ,  $V_{CCA}$  = 0V,  $V_{EE}$  = -4.5V,  $V_{TTL}$  = +5.0V,  $V_{IH}$  = +3.0V

$L1$ ,  $L2$  and  $L3$  = equal length 50Ω impedance lines

$R_T$  = 50Ω terminator internal to scope

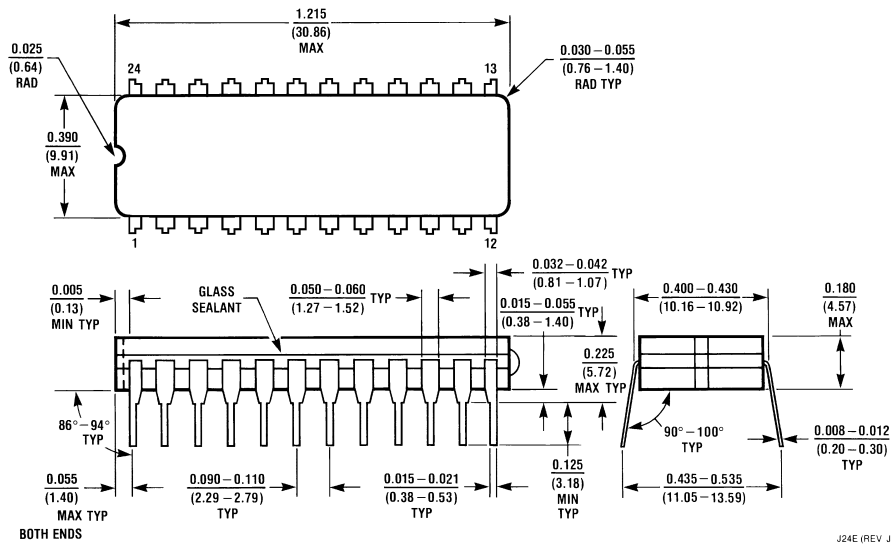
Decoupling 0.1 μF from GND to  $V_{CC}$ ,  $V_{EE}$  and  $V_{TTL}$

All unused outputs are loaded with 50Ω to -2V or with equivalent ECL terminator network

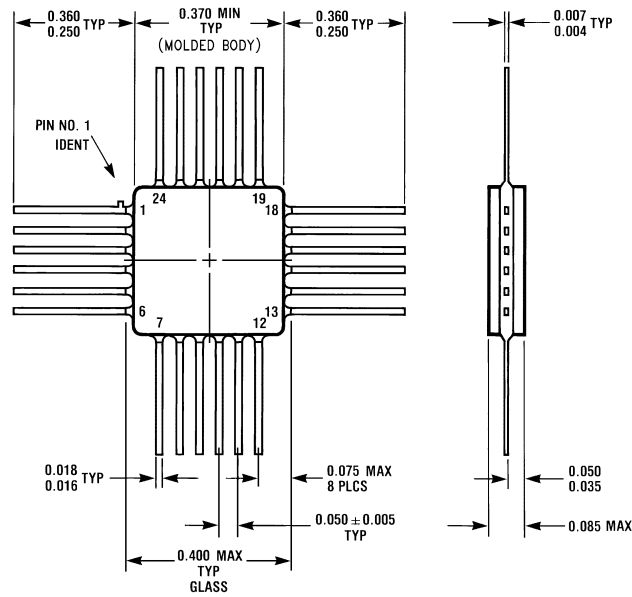
$C_L$  = Fixture and stray capacitance  $\leq 3$  pF

FIGURE 2. AC Test Circuit

**Physical Dimensions** inches (millimeters) unless otherwise noted



**24-Lead Ceramic Dual-In-Line Package (0.400" Wide) (D)**  
NS Package Number J24E



**24 Lead Quad Cerpak (F)**  
NS Package Number W24B

**LIFE SUPPORT POLICY**

NATIONAL'S PRODUCTS ARE NOT AUTHORIZED FOR USE AS CRITICAL COMPONENTS IN LIFE SUPPORT DEVICES OR SYSTEMS WITHOUT THE EXPRESS WRITTEN APPROVAL OF THE PRESIDENT OF NATIONAL SEMICONDUCTOR CORPORATION. As used herein:

1. Life support devices or systems are devices or systems which, (a) are intended for surgical implant into the body, or (b) support or sustain life, and whose failure to perform when properly used in accordance with instructions for use provided in the labeling, can be reasonably expected to result in a significant injury to the user.
2. A critical component in any component of a life support device or system whose failure to perform can be reasonably expected to cause the failure of the life support device or system, or to affect its safety or effectiveness.



**National Semiconductor Corporation**  
Americas  
Tel: 1-800-272-9959  
Fax: 1-800-737-7018  
Email: support@nsc.com

[www.national.com](http://www.national.com)

**National Semiconductor Europe**  
Fax: +49 (0) 1 80-530 85 86  
Email: europe.support@nsc.com  
Deutsch Tel: +49 (0) 1 80-530 85 85  
English Tel: +49 (0) 1 80-532 78 32  
Français Tel: +49 (0) 1 80-532 93 58  
Italiano Tel: +49 (0) 1 80-534 16 80

**National Semiconductor Asia Pacific Customer Response Group**  
Tel: 65-2544466  
Fax: 65-2504466  
Email: sea.support@nsc.com

**National Semiconductor Japan Ltd.**  
Tel: 81-3-5620-6175  
Fax: 81-3-5620-6179

Компания «Life Electronics» занимается поставками электронных компонентов импортного и отечественного производства от производителей и со складов крупных дистрибьюторов Европы, Америки и Азии.

С конца 2013 года компания активно расширяет линейку поставок компонентов по направлению коаксиальный кабель, кварцевые генераторы и конденсаторы (керамические, пленочные, электролитические), за счёт заключения дистрибьюторских договоров

Мы предлагаем:

- Конкурентоспособные цены и скидки постоянным клиентам.
- Специальные условия для постоянных клиентов.
- Подбор аналогов.
- Поставку компонентов в любых объемах, удовлетворяющих вашим потребностям.
- Приемлемые сроки поставки, возможна ускоренная поставка.
- Доставку товара в любую точку России и стран СНГ.
- Комплексную поставку.
- Работу по проектам и поставку образцов.
- Формирование склада под заказчика.
- Сертификаты соответствия на поставляемую продукцию (по желанию клиента).
- Тестирование поставляемой продукции.
- Поставку компонентов, требующих военную и космическую приемку.
- Входной контроль качества.
- Наличие сертификата ISO.

В составе нашей компании организован Конструкторский отдел, призванный помогать разработчикам, и инженерам.

Конструкторский отдел помогает осуществить:

- Регистрацию проекта у производителя компонентов.
- Техническую поддержку проекта.
- Защиту от снятия компонента с производства.
- Оценку стоимости проекта по компонентам.
- Изготовление тестовой платы монтаж и пусконаладочные работы.



Тел: +7 (812) 336 43 04 (многоканальный)

Email: [org@lifeelectronics.ru](mailto:org@lifeelectronics.ru)