



## 10 Watt F-Series Adapter Supports Interchangeable AC Clips



### Features

- Folding Blades
- Constant Current for Battery Charging
- 15mm Thick with Blades Folded
- Interchangeable AC Clips
- Level VI Efficiency Compliant
- No load power draw <0.15W

### Applications

- Tablets
- Networking Equipment
- Personal Electronics
- Peripherals

### Safety Approvals

- cUL/UL
- RCM
- CCC<sup>3</sup>
- CE
- CB

### Mechanical Characteristics

- Length: 60mm (2.36in)
- Width: 47mm (1.85in)
- Height: 15.0mm (0.59in)
- Weight: 38.5g (1.36oz)

### Output Specifications

Model	DC Output Voltage			Load	
	Min.	Typ.	Max.	Min.	Max.
PSA10F-050Q-R	4.75V	5V	5.25V	0A	2A
PSA10F-050Q(D)-R <sup>1</sup>	4.75V	5V	5.25V	0A	2A
PSA10F-050Q(S)-R <sup>2</sup>	4.75V	5V	5.25V	0A	2A
PSA10FC-050Q-R <sup>3</sup>	4.75V	5V	5.25V	0A	2A

Notes (1): D model output to compensate for DC drops in the USB cable by 400mV at full load  
 (2): S model output to compensate for DC drops in the USB cable by 400mV and has termination resistors suitable for Apple products\* \*Apple is a trademark of Apple Corporation  
 (3): China Model – CCC approval only

Phihong is not responsible for any error, and reserves the right to make changes without notice. Please visit our website at [www.phihong.com](http://www.phihong.com) for the most up-to-date specifications and contact information.

**INPUT:****AC Input Voltage Range**

90 to 264V AC

**AC Input Voltage Rating**

100 to 240V AC

**AC Input Frequency**

47 to 63Hz

**AC Input Current**

0.3A RMS maximum at 120V AC

0.15A RMS maximum at 240V AC

**Leakage Current**

100uA maximum at 240V AC

**Inrush Current**

60A at 240V AC

**OUTPUT:****Output Power**

10W Continuous

**Efficiency**

DOE Level VI; EU CoC Ver 5 Tier 1

**Standby Power**

&lt;100mW

**Ripple and Noise**

100mVp-p at 0A-1A load

200mVp-p at 1A-2A load

**Current Limit**

2.5A when less than 3V (auto-restart)

**ENVIRONMENTAL:****Temperature**

Operating 0 to 40C

Non-operating -40 to +85C

Humidity 10 to 90%

**EMI**

Complies with FCC Class B

Complies with EN55032 Class B

**Immunity**

ESD: EN61000-4-2 Level 3

Radiated: EN61000-4-3 Level 2

EFT: EN61000-4-4 Level 2

Surge: EN61000-4-5 Level 3

C/T: EN61000-4-6 Level 2

PFMT: EN61000-4-8

VDT: EN61000-4-11

Harmonic: EN61000-3-2 Class A

Flicker: EN61000-3-3

**Dielectric Withstand (HI-POT) Test**

Primary to secondary: 3000V AC, 10mA, 60 seconds

**Insulation Resistance**

Primary to secondary: 500V &gt;7M OHM

**FEATURES:****Over Voltage Protection**

Auto-restart 6.3V maximum

**Short Circuit Protection**

Must withstand continuous short circuit

**Over Temperature Protection**

Auto shutdown without fault

**DC Output**

USB A

**AC Input**

US Fixed Blade folding prong

\*China Fixed Blade folding prong PSA10FC-050Q

**Interchangeable AC Clips (fit over US prongs) Sold Separately**

FPBAG: FPE, FPK, FPS

FPB: Brazil

FPE: Europe

FPH: Korea

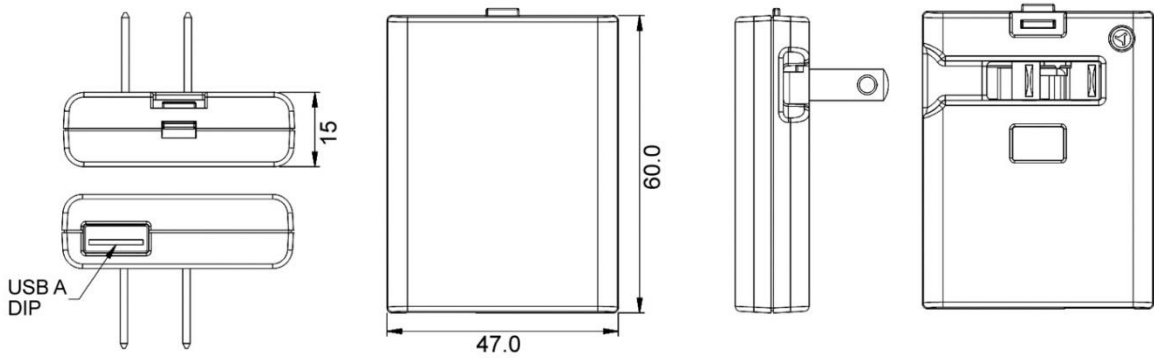
FPI: India

FPK: UK

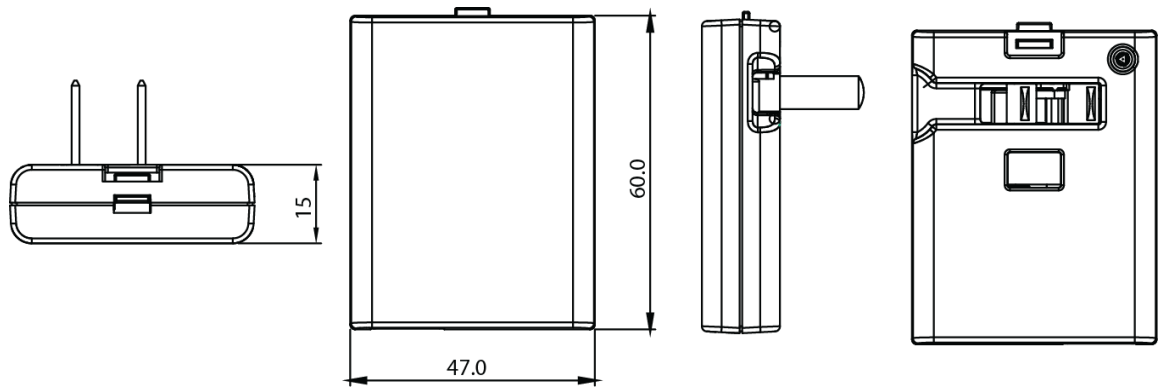
FPN: Argentina

FPS: Australia

**PSA10F-050Q** **Dimension Diagram Unit: mm**



**PSA10FC-050Q** **Dimension Units:mm**



**Supplier's Declaration of Conformity  
47 CFR § 2.1077 Compliance Information**

**PSA10F-050Q-R  
PSA10F-050Q(D)-R  
PSA10F-050Q(S)-R**

Phihong USA Corporation  
47800 Fremont Boulevard  
Fremont, CA 94538  
Telephone: (510) 445-0100  
[www.phihong.com](http://www.phihong.com)

NOTE: The models above have been tested and found to comply with the limits for a Class B digital device, pursuant to part 15 of the FCC Rules. These limits are designed to provide reasonable protection against harmful interference in a residential installation. This equipment generates, uses and can radiate radio frequency energy and, if not installed and used in accordance with the instructions, may cause harmful interference to radio communications. However, there is no guarantee that interference will not occur in a particular installation. If this equipment does cause harmful interference to radio or television reception, which can be determined by turning the equipment off and on, the user is encouraged to try to correct the interference by one or more of the following measures:

- Reorient or relocate the receiving antenna.
- Increase the separation between the equipment and receiver.
- Connect the equipment into an outlet on a circuit different from that to which the receiver is connected.
- Consult the dealer or an experienced radio/TV technician for help.

Changes or modifications to equipment not expressly approved by PHIHONG could void the user's authority to operate the equipment.

Компания «Life Electronics» занимается поставками электронных компонентов импортного и отечественного производства от производителей и со складов крупных дистрибьюторов Европы, Америки и Азии.

С конца 2013 года компания активно расширяет линейку поставок компонентов по направлению коаксиальный кабель, кварцевые генераторы и конденсаторы (керамические, пленочные, электролитические), за счёт заключения дистрибьюторских договоров

Мы предлагаем:

- Конкурентоспособные цены и скидки постоянным клиентам.
- Специальные условия для постоянных клиентов.
- Подбор аналогов.
- Поставку компонентов в любых объемах, удовлетворяющих вашим потребностям.
- Приемлемые сроки поставки, возможна ускоренная поставка.
- Доставку товара в любую точку России и стран СНГ.
- Комплексную поставку.
- Работу по проектам и поставку образцов.
- Формирование склада под заказчика.
- Сертификаты соответствия на поставляемую продукцию (по желанию клиента).
- Тестирование поставляемой продукции.
- Поставку компонентов, требующих военную и космическую приемку.
- Входной контроль качества.
- Наличие сертификата ISO.

В составе нашей компании организован Конструкторский отдел, призванный помогать разработчикам, и инженерам.

Конструкторский отдел помогает осуществить:

- Регистрацию проекта у производителя компонентов.
- Техническую поддержку проекта.
- Защиту от снятия компонента с производства.
- Оценку стоимости проекта по компонентам.
- Изготовление тестовой платы монтаж и пусконаладочные работы.



Тел: +7 (812) 336 43 04 (многоканальный)  
Email: [org@lifeelectronics.ru](mailto:org@lifeelectronics.ru)