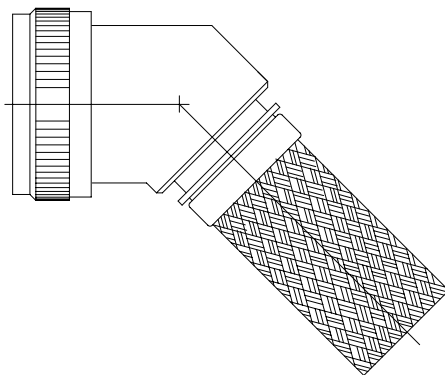


| REVISIONS | | | |
|-----------|-------------------------|------|----------|
| LTR | DESCRIPTION | DATE | APPROVED |
| K | REVISED PER ECN AD94021 | | |



CODE 40 SHIELDED 45° ADAPTER

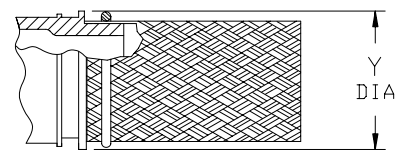
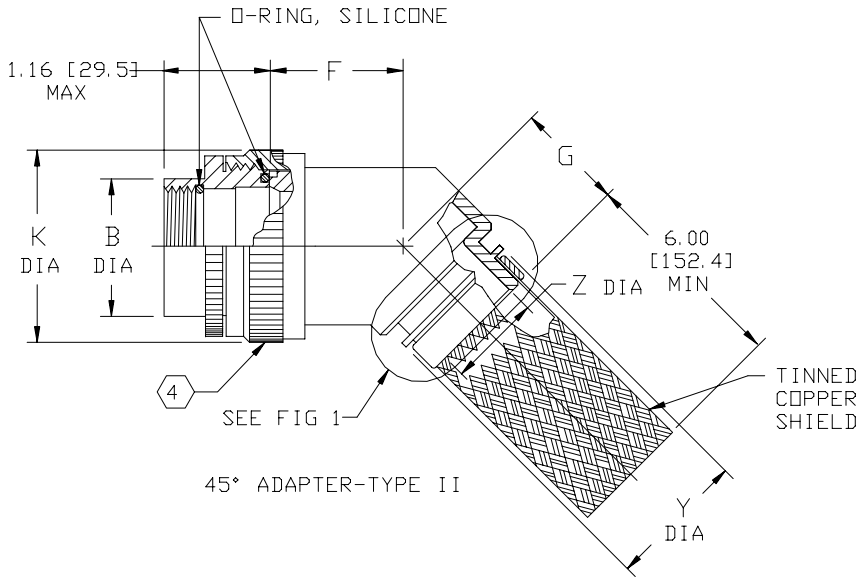
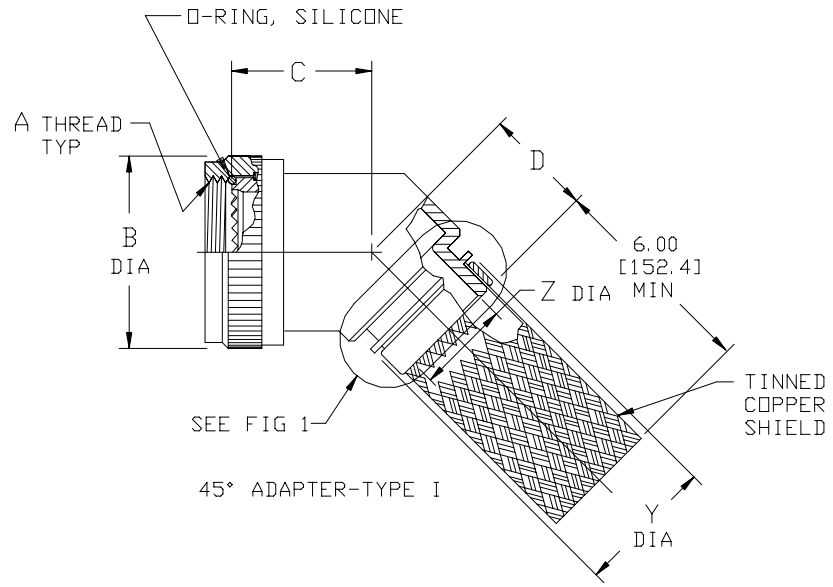
NOTES:

1. THIS PRODUCT IS DESIGNED TO TERMINATE A HEAT SHRINKABLE LIPPED BOOT TO A CONNECTOR.
2. FOR ADDITIONAL DIMENSIONS, ORDERING INFORMATION AND MODIFICATIONS, SEE CH00-0250-004.
3. ADAPTER TO BE PERMANENTLY MARKED WITH CODE IDENT. NO. AND PART NO. (E.G.: 06090-208M812-19B08).
- ④ FOR LARGER ENTRY SIZES, A 2 PIECE ADAPTER (TYPE II) IS SUPPLIED.
- ⑤ BRAID TERMINATION RING MAY BE SUPPLIED AS TINEL-LOCK SHAPE MEMORY RING AT MANUFACTURER'S OPTION.
- ⑥ ADAPTER MATES TO MIL-C-38999 SERIES III AND IV, CLASS C, F, K AND W, D38999/20, /24, /26, /40, /46, /47, CONNECTORS, AND WHEN SO MATED SHALL PROVIDE A WATER-TIGHT SEAL MEETING THE REQUIREMENTS OF MIL-C-85049 PAR. 3.5.7.

If this document is printed it becomes uncontrolled.
Check for the latest revision.

SPECIFICATION CONTROL DRAWING

| | | | | | | |
|--|----------------------------|------------------|--|--|--------------|--|
| UNLESS OTHERWISE SPECIFIED DIMENSIONS ARE IN INCHES. METRIC DIMENSIONS ARE IN BRACKETS. DECIMALS .XXX ± — [mm] .XX ± — [mm] .X ± — [mm] | DRAW R. RAMIREZ | DATE 03-19-93 | | Tyco Electronics Corporation 300 Constitution Drive Menlo Park, CA. 94025 U.S.A. | | |
| | CHECKED | DATE | | | | |
| | APPROVED W. C. GAY | DATE 04-28-93 | TITLE ADAPTER, SHIELD, 45° CODE 40 | | | |
| | APPROVED | DATE | CAD NAME \ACAD12\208M8XX | | | |
| ANGLES .X ± — | THIRD ANGLE PROJECTION | SIZE A | CODE IDENT. NO. 06090 | DWG. NO. 208M8XX | REV K | |
| | | | DO NOT SCALE THIS DWG | | SHEET 1 OF 3 | |



TINEL-LOCK TERMINATION

FIG 1 (5)

If this document is printed it becomes uncontrolled.
Check for the latest revision.

| | | | |
|-----------------------|-----------------|---------------------------|--------------|
| SIZE | CODE IDENT. NO. | DWG. NO. | REV |
| A | 06090 | 208M8XX | K |
| DO NOT SCALE THIS DWG | | CAD NAME \ACAD12\208M8X-2 | SHEET 2 OF 3 |

TABLE I



| BASE PART NO. | SHELL SIZE  | | MAX ENTRY SIZE TYPE I  | A METRIC THD CLASS 6H | B DIA MAX | C MAX | D MAX |
|---------------------|--|-----|--|-----------------------------|-----------------|----------------|----------------|
| | COML | MIL | | | | | |
| 208M808 | 9 | A | 04 | M12 X 1.0 | .750 [19.1] | .82 [20.8] | .89 [22.6] |
| 208M810 | 11 | B | 07 | M15 X 1.0 | .850 [21.6] | .84 [21.3] | .92 [23.4] |
| 208M812 | 13 | C | 09 | M18 X 1.0 | 1.000 [25.4] | .87 [22.1] | .95 [24.1] |
| 208M814 | 15 | D | 10 | M22 X 1.0 | 1.150 [29.2] | .89 [22.6] | .95 [24.1] |
| 208M816 | 17 | E | 12 | M25 X 1.0 | 1.250 [31.8] | .92 [23.4] | .98 [24.9] |
| 208M818 | 19 | F | 14 | M28 X 1.0 | 1.400 [35.6] | .95 [24.1] | 1.01 [25.7] |
| 208M820 | 21 | G | 16 | M31 X 1.0 | 1.500 [38.1] | .97 [24.6] | 1.04 [26.4] |
| 208M822 | 23 | H | 18 | M34 X 1.0 | 1.650 [41.9] | 1.00 [25.4] | 1.07 [27.2] |
| 208M824 | 25 | J | 20 | M37 X 1.0 | 1.750 [44.5] | 1.02 [25.9] | 1.07 [27.2] |

TABLE II

| ENTRY SIZE | K MAX | Z ±.020 [±0.51] | Y DIA MIN | F MAX | G MAX |
|---------------|----------------|-----------------------|------------------|----------------|----------------|
| 03 | NA | .187 [4.75] | .393 [9.98] | NA | NA |
| 04 | NA | .250 [6.35] | .456 [11.58] | NA | NA |
| 05 | .80 [20.3] | .312 [7.92] | .515 [13.08] | .77 [19.6] | .93 [23.6] |
| 06 | .80 [20.3] | .375 [9.53] | .581 [14.76] | .77 [19.6] | .93 [23.6] |
| 07 | .92 [23.4] | .438 [11.13] | .643 [16.33] | .80 [20.3] | .95 [24.1] |
| 08 | .92 [23.4] | .500 [12.70] | .705 [17.91] | .80 [20.3] | .95 [24.1] |
| 09 | 1.18 [30.0] | .562 [14.27] | .705 [17.91] | .84 [21.3] | 1.00 [25.4] |
| 10 | 1.18 [30.0] | .625 [15.88] | .831 [21.11] | .84 [21.3] | 1.00 [25.4] |
| 11 | 1.18 [30.0] | .688 [17.48] | .893 [22.68] | .86 [21.8] | 1.01 [25.7] |
| 12 | 1.35 [34.3] | .750 [19.05] | .953 [24.21] | .86 [21.8] | 1.01 [25.7] |
| 13 | 1.41 [35.8] | .812 [20.62] | .953 [24.21] | .88 [22.4] | 1.04 [26.4] |
| 14 | 1.41 [35.8] | .875 [22.23] | 1.081 [27.46] | .88 [22.4] | 1.04 [26.4] |
| 15 | 1.60 [40.6] | .938 [23.83] | 1.143 [29.03] | .91 [23.1] | 1.06 [26.9] |
| 16 | 1.60 [40.6] | 1.000 [25.40] | 1.205 [30.61] | .91 [23.1] | 1.06 [26.9] |
| 18 | 1.66 [42.2] | 1.125 [28.58] | 1.381 [35.08] | .93 [24.9] | 1.09 [27.7] |
| 20 | 2.04 [51.8] | 1.250 [31.75] | 1.506 [38.25] | .93 [24.9] | 1.15 [29.2] |
| 22 | 2.23 [56.6] | 1.375 [34.93] | 1.631 [41.43] | 1.03 [26.2] | 1.38 [35.1] |
| 24 | 2.23 [56.6] | 1.500 [38.10] | 1.756 [44.60] | 1.08 [27.4] | 1.44 [36.6] |
| 28 | 2.48 [63.0] | 1.750 [44.45] | 2.004 [50.90] | 1.18 [30.0] | 1.56 [39.6] |

If this document is printed it becomes uncontrolled.
Check for the latest revision.

| | | | |
|-----------------------|--------------------------|---------------------------|--------------|
| SIZE A | CODE IDENT. NO. 06090 | DWG. NO. 208M8XX | REV K |
| DO NOT SCALE THIS DWG | | CAD NAME \ACAD12\208M8X-3 | SHEET 3 OF 3 |

Компания «Life Electronics» занимается поставками электронных компонентов импортного и отечественного производства от производителей и со складов крупных дистрибьюторов Европы, Америки и Азии.

С конца 2013 года компания активно расширяет линейку поставок компонентов по направлению коаксиальный кабель, кварцевые генераторы и конденсаторы (керамические, пленочные, электролитические), за счёт заключения дистрибьюторских договоров

Мы предлагаем:

- Конкурентоспособные цены и скидки постоянным клиентам.
- Специальные условия для постоянных клиентов.
- Подбор аналогов.
- Поставку компонентов в любых объемах, удовлетворяющих вашим потребностям.
- Приемлемые сроки поставки, возможна ускоренная поставка.
- Доставку товара в любую точку России и стран СНГ.
- Комплексную поставку.
- Работу по проектам и поставку образцов.
- Формирование склада под заказчика.
- Сертификаты соответствия на поставляемую продукцию (по желанию клиента).
- Тестирование поставляемой продукции.
- Поставку компонентов, требующих военную и космическую приемку.
- Входной контроль качества.
- Наличие сертификата ISO.

В составе нашей компании организован Конструкторский отдел, призванный помогать разработчикам, и инженерам.

Конструкторский отдел помогает осуществить:

- Регистрацию проекта у производителя компонентов.
- Техническую поддержку проекта.
- Защиту от снятия компонента с производства.
- Оценку стоимости проекта по компонентам.
- Изготовление тестовой платы монтаж и пусконаладочные работы.



Тел: +7 (812) 336 43 04 (многоканальный)

Email: org@lifeelectronics.ru