

Sensors and Switches



SENSING AND CONTROL

Product Catalog

Honeywell

SENSORS AND SWITCHES

Honeywell offers a wide selection of products and technology capability for applications in medical devices and equipment; heating, ventilation, air-conditioning and refrigeration; information technology; home appliances; motor control and automotive passenger cars. This catalogue contains a selection of our most popular, established product listings. To view our complete range of products, visit our web site at www.honeywell.com/sensing.

How to use this catalogue

For each referenced listing, key specification parameters, descriptions and mounting drawing information are presented. These listings illustrate our capabilities while the specifications included allow easy differentiation between similar products. For products with no specific reference numbers, please contact your local Honeywell sales office.

There are, of course, many more product options available. Full product specification information may be accessed on our web site (www.honeywell.com/sensing). At the Home page enter the catalogue listing reference in the SEARCH box and click GO! This will take you directly to the interactive catalogue/specification search tables for this listing. Alternatively, select and click the interactive catalogue icon on the Home page and then choose a product category against which to do a specification search.

Also on the web site you can access installation instructions, application notes, Frequently Asked Questions (FAQs), selection guides and additional technical information.

Mounting dimensions

Mounting dimensions shown in each product section are for reference only. For exacting layout work, request an engineering drawing from your nearest Honeywell sales office. Where dual dimensions are shown on mounting drawings, the first or upper one is millimetres (mm) and the second or lower is inches (in). Where single dimensions are shown, they are millimetres (mm), unless otherwise stated.

To order these products

Simply contact your local Honeywell Distributor or your local Honeywell office. More information on Honeywell products and how to contact us can be found at <http://locator.micro.honeywell.com/>



Interactive Catalog
www.honeywell.com/sensing

Honeywell – delivering excellence

To assist in delivering the right products for our customers' applications, we listen to them to understand their needs. Using techniques such as "Voice of the Customer" and "Concept Engineering," we aim to deliver the products and solutions. As part of Honeywell we can use local knowledge and understanding combined with global expertise and resources to achieve this. We can deploy many key technologies to bring innovative solutions to customers' problems.

Our products are manufactured to work well and to last. We use Six Sigma Plus productivity to ensure this is the case. We have award winning manufacturing facilities around the world and recognised world class business excellence in manufacturing and supply chain management to deliver on time, anywhere in the world.

Our e-business approach offers instant access to product information, technical support and application knowledge through our Internet site. Check out our powerful new interactive catalogue that can search and find the right products for customers' needs and deliver a drawing ready for incorporation in a CAD system direct to your desk.

And of course, we manage our whole business for the benefit of our customers, using an acknowledged world-class business excellence approach that incorporates Six Sigma principles.

CONTENTS

Pressure Sensors Page 4

Absolute, differential, gage and vacuum gage pressure sensors for media that are compatible with a silicon diaphragm. These sensors are often ideal for low-cost, commercial-grade applications such as printed circuit boards. Small and reliable, they aim to offer excellent repeatability and high accuracy under varying environmental conditions.

Mass Airflow Sensors Page 13

Amplified and unamplified microbridge mass airflow sensors aim at providing a sensitive, fast response and high accuracy over a broad range of gas and air flows.

Force Sensors Page 16

Compact, extremely sensitive devices for precise, reliable performance in many applications that requires precision force measurement.

Humidity Sensors Page 18

Relative humidity sensors with on-chip signal conditioning. Chemically resistant packaging to accommodate many harsh environments. Sensor construction consists of a planar capacitor with a second polymer layer to protect against dirt, dust, oils and other hazards.

Temperature Sensors - RTDs Page 19

Platinum and silicon-based thin film resistance temperature devices (RTDs) for appropriate applications requiring small package size, accuracy and linear outputs.

Temperature Sensors - Thermistors Page 21

Precision Hi-Rel negative temperature coefficient (NTC) thermistors and positive temperature coefficient (PTC) thermistors for use in a broad variety of temperature measurement and control applications.

Temperature Sensors - Probes Page 27

A variety of customized probes for use in the automotive and other industries.

Thermal Cutoffs Page 30

Dependable organic thermal cutoffs in temperatures ranging from 72 °C to 240 °C [162 °F to 464 °F]. They are available in various lead lengths and configurations.

Thermostats Redi-Temp® Page 32

Redi-Temp® is a line of standard thermostats offered in a range of pre-set temperatures. These standard products are available for immediate delivery. They are often useful for low-volume applications where standard configurations are acceptable.

Thermostats - Commercial Page 34

Dependable bi-metal thermostats include a choice of automatic or manual reset, phenolic or ceramic housings and a variety of mounting brackets and terminal options.

Thermostats - Precision Page 42

Hermetic and non-hermetic thermostats in standard and custom packages for use in a wide variety of precision applications.

Thermostats - High Reliability Page 63

Meet the stringent requirements of military and aerospace industries for dielectric strength, moisture resistance, vibration, shock and hermetic seal. These products meet all domestic and international approvals, as well as appropriate military specifications.

Combi-sensor Page 65

Liquid pressure/temperature sensor that uses piezoresistive and thermistor sensing technology to measure water pressure and temperature.

Heaters Page 66

Wire-wound, chemically-etched, high temperature and transparent heaters in a variety of sizes and geometries.

Magnetic Position Sensors Page 68

Hall effect and magnetoresistive sensors for many applications that require accurate, reliable outputs.

Infrared Products Page 74

Optoelectronic standard infrared emitting diodes (IREDs), sensors and assemblies for object presence, limit and motion sensing, position encoding and movement encoding.

Current Sensors Page 81

Adjustable linear null balance, digital and linear output current sensors for monitoring ac or dc current.

Liquid Level Sensors Page 87

Sensitive sensors in a variety of housing types for detecting the presence or absence of a wide range of liquids.

Basic Switches Page 89

Standard, miniature and subminiature switches available in a range of enclosures and with a variety of actuators. They are often ideal for use alone or built into assemblies.

Turbidity Sensors Page 99

Turbidity sensing aims to provide a quick, practical indication of the relative amount of solids suspended in water or liquids.

⚠ WARNING

MISUSE OF DOCUMENTATION

- The information presented in this catalogue is for reference only. DO NOT USE this document as product installation information.
- Complete installation, operation and maintenance information is provided in the instructions supplied with each product.

Failure to comply with these instructions could result in death or serious injury.

⚠ WARNING

PERSONAL INJURY

DO NOT USE these products as safety or emergency stop devices, or in any other application where failure of the product could result in personal injury

Failure to comply with these instructions could result in death or serious injury.

Pressure Sensors



24PC/26PC Series

Signal conditioning:	Unamplified noncompensated (24PC Series) Compensated (26PC Series)
Supply voltage:	10 Vdc typ. 12 Vdc max. (24PC Series) 16 Vdc max. (26PC Series)
Operating temperature:	-40 °C to 85 °C [-40 °F to 185 °F]
Port style:	Straight or flow through
Termination:	PCB; 1 x 4; 0.600 in (Type 6) PCB; 2 x 2; (Type 2) 1 x 4 with connector (Type 5)

OPTIONS

Differential



Gage

MOUNTING DIMENSIONS (for reference only) mm/in
GAUGE SENSOR
1 x 4 Termination (Style 6) Port Style A, Straight
Pin 1 is notched, Pin 2 is next to Pin 1, etc.



Honeywell pressure sensors are small, low cost and reliable. They promote excellent repeatability, high accuracy and reliability under varying environmental conditions. In addition, they feature highly consistent operating characteristics from one sensor to the next and interchangeability without recalibration.

We offer three pressure sensor measurement types—absolute, differential and gage—including vacuum gage and bidirectional types. A wide variety of pressure ranges, along with both amplified and unamplified versions, are available.

Honeywell pressure sensors are best used in applications which require precision pressure measurement.

24PC Series

MEASUREMENT TYPE	PRESSURE RANGE	REFERENCE
Gage/vacuum gage	1.0 psi	24PCFA6G
Differential/vacuum gage	5.0 psi	24PCBFA6D
Gage/vacuum gage	5.0 psi	24PCBFA6G
Differential/vacuum gage	15.0 psi	24PCCFA6D
Gage/vacuum gage	15.0 psi	24PCCFA6G
Differential/vacuum gage	30.0 psi	24PCDFA6D
Gage/vacuum gage	30.0 psi	24PCDFA6G
Differential	0.5 psi	24PCEFA6D
Gage	0.5 psi	24PCEFA6G
Differential	100 psi	24PCFFA6D
Gage	100 psi	24PCFFA6G

26PC Series

MEASUREMENT TYPE	PRESSURE RANGE	REFERENCE
Differential/vacuum gage	1.0 psi	26PCFA6D
Gage/vacuum gage	1.0 psi	26PCFA6G
Differential	5.0 psi	26PCBFA6D
Gage	5.0 psi	26PCBFA6G
Differential/vacuum gage	15.0 psi	26PCCFA6D
Gage/vacuum gage	15.0 psi	26PCCFA6G
Differential	30.0 psi	26PCDFA6D
Gage	30.0 psi	26PCDFA6G
Gage	100 psi	26PCFFA6G
Differential	250 psi	26PCGFA6D

Flow through Type 6



24PC Series

MEASUREMENT TYPE	PRESSURE RANGE	REFERENCE
Flow through/vacuum gage	15.0 psi	24PCFG6G
Flow through/vacuum gage	30.0 psi	24PCDFG6G

26PC Series

MEASUREMENT TYPE	PRESSURE RANGE	REFERENCE
Flow through/vacuum gage	1.0 psi	26PCAF6G
Flow through	15.0 psi	26PCCF6G
Gage/vacuum gage	100 psi	26PCFF6G

24PC/26PC Series (continued)

Type 2



26PC Series

MEASUREMENT TYPE	PRESSURE RANGE	REFERENCE
Flow through	30.0 psi	26PCDFG2G

Type 5



26PC Series

MEASUREMENT TYPE	PRESSURE RANGE	REFERENCE
Flow through/vacuum gage	100 psi	26PCFFU5G

24PC/26PC SMT (Surface-Mount Technology)

Signal conditioning: Unamplified noncompensated (24PC SMT Series)
Compensated (26PC SMT Series)

Supply voltage: 10 Vdc typ.
12 Vdc max. (24PC SMT Series)
16 Vdc max. (26PC SMT Series)

Operating temperature: -40 °C to 85 °C [-40 °F to 185 °F]

Port style: Straight, Ø 1.88 mm [0.74 in]

Termination: SMT solder

Measurement type: Gage, vacuum gage, differential, wet/wet differential

OPTIONS

24PC SMT Series

PRESSURE RANGE	REFERENCE
0 psi to 1.0 psi	24PC01SMT
0 psi to 5.0 psi	24PC05SMT
0 psi to 15.0 psi	24PC15SMT

26PC SMT Series

PRESSURE RANGE	REFERENCE
0 psi to 1.0 psi	26PC01SMT
0 psi to 5.0 psi	26PC05SMT
0 psi to 15.0 psi	26PC15SMT

CPC/CPX Series, Low Pressure

Signal conditioning: Unamplified
Compensated (CPC Series)
Noncompensated (CPX Series)

Supply voltage: 12 Vdc typ., 16 Vdc max.

Operating temperature: -25 °C to 85 °C [-13 °F to 185 °F]

Port style: Barbed

Termination: PCB

Accuracy grade: Commercial (1.0 %)



CPC/CPX Series, Low Pressure (continued)

OPTIONS

CPC Series

MEASUREMENT TYPE	PRESSURE RANGE	REFERENCE
Differential	1.0 psi [4.0 in H ₂ O]	CPCL04DFC
Gage	1.0 psi [4.0 in H ₂ O]	CPCL04GFC
Differential	1.0 psi [10.0 in H ₂ O]	CPCL10DFC

CPX Series

MEASUREMENT TYPE	PRESSURE RANGE	REFERENCE
Differential	4.0 in H ₂ O	CPXL04DF
Differential	10.0 in H ₂ O	CPCL10DF

DC Series, Low Pressure

Signal conditioning: Amplified compensated
Unregulated (DC001NDC4)
Regulated (DC005NDR4)

Supply voltage: 5 Vdc typ., 5.1 Vdc max. (DC001NDC4)
7 Vdc to 35 Vdc (DC005NDR4)

Operating temperature: -25 °C to 85 °C [-13 °F to 185 °F]

Port style: Barbed

Termination: PCB

OPTIONS



DC001NDC4

MEASUREMENT TYPE	PRESSURE RANGE	REFERENCE
Differential	1.0 in H ₂ O	DC001NDC4



DC005NDR4

MEASUREMENT TYPE	PRESSURE RANGE	REFERENCE
Differential	5.0 in H ₂ O	DC005NDR4

DCXL/DUXL Series, Low Pressure

Signal conditioning: Unamplified
Compensated (DCXL)
Noncompensated (DUXL)

Supply voltage: 12 Vdc typ., 16 Vdc max. (DCXL)
4.5 Vdc min., 8 Vdc max. (DUXL)

Operating temperature: -25 °C to 85 °C [-13 °F to 185 °F]

Port style: Barbed

Termination: PCB

OPTIONS



DCXL Series

MEASUREMENT TYPE	PRESSURE RANGE	REFERENCE
Differential	1.0 in H ₂ O	DCXL01DN
Differential	10.0 in H ₂ O	DCXL10DN



DUXL Series

MEASUREMENT TYPE	PRESSURE RANGE	REFERENCE
Differential	1.0 in H ₂ O	DUXL01D
Differential	10.0 in H ₂ O	DUXL10D

XCA Series

Signal conditioning: Amplified compensated
Supply voltage: 5 Vdc typ., 16 Vdc max.
Operating temperature: -25 °C to 85 °C [-13 °F to 185 °F]
Port style: Barbed
Termination: PCB



MEASUREMENT TYPE	PRESSURE RANGE	REFERENCE
Absolute	15.0 psia	XCA415AN

XCX Series

Signal conditioning: Unamplified compensated
Supply voltage: 12 Vdc typ., 16 Vdc max.
Operating temperature: -25 °C to 85 °C [-13 °F to 185 °F]
Port style: Barbed
Termination: PCB
Accuracy grade: Commercial (1.0 %)

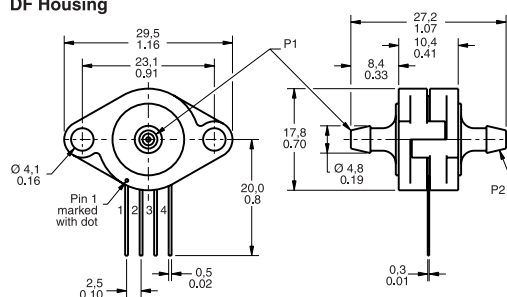


MEASUREMENT TYPE	PRESSURE RANGE	ACCURACY GRADE	REFERENCE
Differential	1.0 psi		XCX01DNC
Differential	1.0 psi	High (0.50 %)	XCX01DNH
Differential	15.0 psi		XCX15DNC

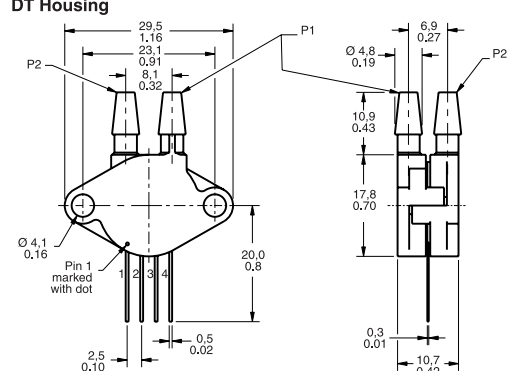
XPC Series

Signal conditioning: Unamplified compensated
Supply voltage: 12 Vdc typ., 16 Vdc max.
Operating temperature: -25 °C to 85 °C [-13 °F to 185 °F]
Port style: Barbed
Termination: PCB
Accuracy grade: Commercial (1.0 %)

DF Housing



DT Housing



MEASUREMENT TYPE	PRESSURE RANGE	PORT STYLE	REFERENCE
Differential	1.0 psi	Axial	XPC01DFC
Differential	15.0 psi	Radial	XPC15DTC

XSX Series, Low Pressure

Signal conditioning: Unamplified uncompensated
Supply voltage: 12 Vdc typ., 16 Vdc max.
Operating temperature: -25 °C to 85 °C [-13 °F to 185 °F]
Port style: Button
Termination: PCB
Accuracy grade: Commercial (1.0 %)



MEASUREMENT TYPE	PRESSURE RANGE	REFERENCE
Gage	4.0 in H ₂ O	XSXL04GF

ASDX Series

Signal conditioning: Amplified compensated
Supply voltage: 4.75 Vdc to 5.25 Vdc
Operating temperature: -20 °C to 105 °C [-4 °F to 221 °F]
Port style: Taper 2,29 mm [0.090 in]
Termination: PCB
Accuracy grade: ±2.0 %



A2 package

MEASUREMENT TYPE	PRESSURE RANGE	REFERENCE
Absolute	0 psi to 15 psi	ASDX015A24R
Absolute	0 psi to 30 psi	ASDX030A24R
Absolute	0 psi to 100 psi	ASDX100A24R

ASDX DO (Digital Output) Series

Signal conditioning: Amplified
Supply voltage: 4.75 Vdc to 5.25 Vdc
Operating temperature: -20 °C to 105 °C [-4 °F to 221 °F]
Port style: Taper 2,29 mm [0.090 in]
Termination: PCB
Accuracy grade: ±2.0 %



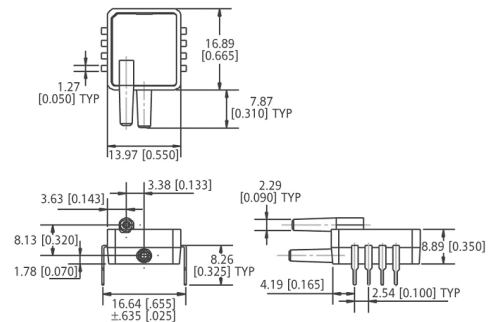
A2 package

MEASUREMENT TYPE	PRESSURE RANGE	REFERENCE
Absolute	0 psi to 15 psi	ASDX015A24R-DO
Absolute	0 psi to 30 psi	ASDX030A24R-DO
Absolute	0 psi to 100 psi	ASDX100A24R-DO



D4 package

MEASUREMENT TYPE	PRESSURE RANGE	REFERENCE
Differential/gage	0 psi to 1 psi	ASDX001D44R
Differential/gage	0 psi to 5 psi	ASDX005D44R
Differential/gage	0 psi to 15 psi	ASDX015D44R
Differential/gage	0 psi to 30 psi	ASDX030D44R
Differential/gage	0 psi to 100 psi	ASDX100D44R



D4 package

MEASUREMENT TYPE	PRESSURE RANGE	REFERENCE
Differential/gage	0 psi to 1 psi	ASDX001D44R-DO
Differential/gage	0 psi to 5 psi	ASDX005D44R-DO
Differential/gage	0 psi to 15 psi	ASDX015D44R-DO
Differential/gage	0 psi to 30 psi	ASDX030D44R-DO
Differential/gage	0 psi to 100 psi	ASDX100D44R-DO



G2 package

MEASUREMENT TYPE	PRESSURE RANGE	REFERENCE
Gage	0 psi to 1 psi	ASDX001G24R
Gage	0 psi to 5 psi	ASDX005G24R
Gage	0 psi to 15 psi	ASDX015G24R
Gage	0 psi to 30 psi	ASDX030G24R
Gage	0 psi to 100 psi	ASDX100G24R



G2 package

MEASUREMENT TYPE	PRESSURE RANGE	REFERENCE
Gage	0 psi to 1 psi	ASDX001G24R-DO
Gage	0 psi to 5 psi	ASDX005G24R-DO
Gage	0 psi to 15 psi	ASDX015G24R-DO
Gage	0 psi to 30 psi	ASDX030G24R-DO
Gage	0 psi to 100 psi	ASDX100G24R-DO

ASDXL Series

Signal conditioning: Amplified
Output signal: 0.5 Vdc to 4.5 Vdc
Operating temperature: Compensated 0 °C to 85 °C [32 °F to 185 °F]
Port style: Taper 2,29 mm [0.090 in]
Termination: PCB
Accuracy grade: 2.0 %



D4 package

MEASUREMENT TYPE	PRESSURE RANGE	REFERENCE
Bidirectional	±5 in H ₂ O	ASDXL005D44D
Bidirectional	0 in to 10 in H ₂ O	ASDXL010D44D
Differential	0 in to 10 in H ₂ O	ASDXL010D44R

ASDXL DO (Digital Output) Series

Signal conditioning: Amplified
Output signal: HEX E25 to EA8
Operating temperature: Compensated 0 °C to 85 °C [32 °F to 185 °F]
Port style: Taper 2,29 mm [0.090 in]
Termination: PCB
Accuracy grade: 2.0 %



D4 package

MEASUREMENT TYPE	PRESSURE RANGE	REFERENCE
Bidirectional	±5 in H ₂ O	ASDXL005D44D-DO
Bidirectional	±10 in H ₂ O	ASDXL010D44D-DO
Differential	0 in to 10 in H ₂ O	ASDXL010D44R-DO



G2 package

MEASUREMENT TYPE	PRESSURE RANGE	REFERENCE
Gage	0 in to 10 in H ₂ O	ASDXL010G24R

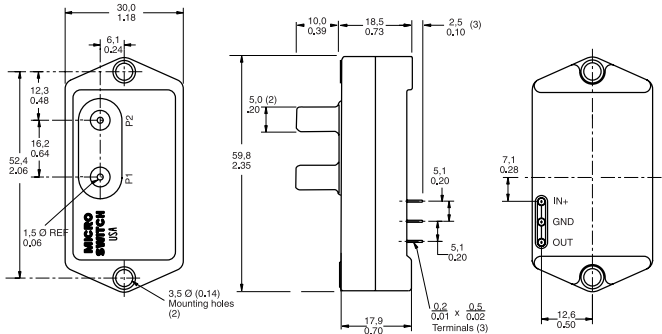


G2 package

MEASUREMENT TYPE	PRESSURE RANGE	REFERENCE
Gage	0 in to 10 in H ₂ O	ASDXL010G25R-DO

140PC Series

Signal conditioning: Amplified
Supply voltage: 8 Vdc typ., 16 Vdc max.
Operating temperature: -40 °C to 85 °C [-40 °F to 185 °F]
Port style: Straight
Termination: PCB

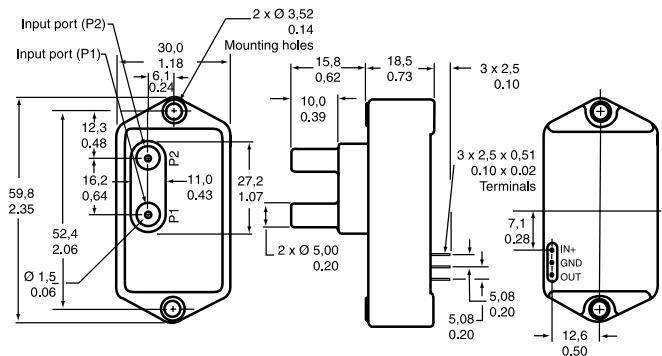


Note: Dimensions shown apply to Differential and Absolute versions. Gage units are identical, except the P1 port is absent.

MEASUREMENT TYPE	PRESSURE RANGE	TERMINATION	REFERENCE
Gage/vacuum gage	15 psi		141PC15G
Differential/vacuum gage	1.0 psi		142PC01D
Gage	1.0 psi		142PC01G
Gage	2.0 psi		142PC02G
Differential/vacuum gage	5.0 psi		142PC05D
Differential/vacuum gage	-39 in H ₂ O to 55 in H ₂ O		142PC05D97
Gage	5.0 psi		142PC05G
Absolute	15 psia		142PC15A
Absolute	15 psia	Leadwire	142PC15AW95
Gage	15 psi		142PC15G
Differential/vacuum gage	±2.5 psi		143PC03D
Differential/vacuum gage	±5.0 psi	Leadwire	143PC05DW

160PC Series, Low Pressure

Signal conditioning: Amplified
Supply voltage: 8 Vdc typ., 16 Vdc max.
Operating temperature: -40 °C to 85 °C [-40 °F to 185 °F]
Port style: Straight
Termination: PCB



Note: Dimensions shown apply to Differential and Absolute versions. Gage units are identical, except the P1 port is absent.

MEASUREMENT TYPE	PRESSURE RANGE	SUPPLY VOLTAGE	REFERENCE
Differential/vacuum gage	0 in to 27.68 in H ₂ O		162PC01D
Differential/vacuum gage	±5.0 in H ₂ O		163PC01D36
Differential/vacuum gage	-20 cm to 120 cm H ₂ O		163PC01D48
Differential/vacuum gage	-20 cm to 120 cm H ₂ O	5 Vdc	163PC01D61
Differential/vacuum gage	±2.5 in H ₂ O		163PC01D75
Differential/vacuum gage	10.0 in H ₂ O		164PC01D37
Differential/vacuum gage	5.0 in H ₂ O		164PC01D76

SDX Series

Signal conditioning: Calibrated zero and span
Supply voltage: 20 Vdc
Operating temperature: Calibrated 0 °C to 50 °C [32 °F to 122 °F]
Port style: Straight
Termination: PCB



A2/G2 package

MEASUREMENT TYPE	PRESSURE RANGE	REFERENCE
Gage	0 psi to 5 psi	SDX05G2
Absolute	0 psi to 15 psi	SDX15A2



D4 package

MEASUREMENT TYPE	PRESSURE RANGE	REFERENCE
Differential	0 psi to 1 psi	SDX01D4
Differential	0 psi to 5 psi	SDX05D4
Differential	0 psi to 15 psi	SDX15D4-A

SDX IND Series

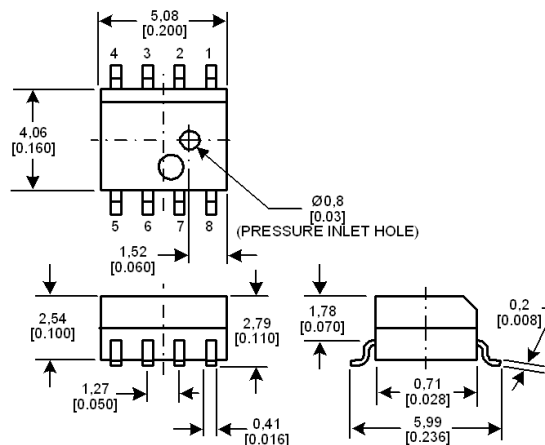
Signal conditioning: Calibrated zero and span
 Supply voltage: 20 Vdc
 Operating temperature: Calibrated 0 °C to 50 °C [32 °F to 122 °F]
 Port style: Straight
 Termination: PCB



MEASUREMENT TYPE	PRESSURE RANGE	REFERENCE
Differential	0 in H ₂ O to 5 in H ₂ O	SDX005IND4
Differential	0 in H ₂ O to 10 in H ₂ O	SDX010IND4

HPX Series

Signal conditioning: None
 Supply voltage: 3 Vdc typ., 10 Vdc max.
 Operating temperature: -20 °C to 100 °C [-4 °F to 212 °F]
 Termination: PCB



SOIC package

MEASUREMENT TYPE	PRESSURE RANGE	REFERENCE
Absolute	0 psi to 15 psi	HPX015AS
Absolute	0 psi to 30 psi	HPX030AS
Absolute	0 psi to 50 psi	HPX050AS
Absolute	0 psi to 100 psi	HPX100AS

40PC Series, Miniature Signal Conditioned

Signal conditioning: Amplified
 Supply voltage: 5 Vdc ±0.25 Vdc
 Operating temperature: -45 °C to 125 °C [-49 °F to 257 °F]
 Port style: Straight for O-ring interface
 Termination: PCB, unformed



MEASUREMENT TYPE	PRESSURE RANGE	REFERENCE
Bi-directional gage/vacuum gage	±50 mm Hg	40PC001B1A
Gage	0 to 300 mm HG	40PC006G1A
Vacuum	0 to -15.0 psi	40PC015V1A
Gage	15.0 psi	40PC015G1A
Gage	30.0 psi	40PC030G1A
Gage	100 psi	40PC100G1A
Gage	150 psi	40PC150G1A
Gage	250 psi	40PC250G1A
Gage	500 psi	40PC500G1A

DIP package

MEASUREMENT TYPE	PRESSURE RANGE	REFERENCE
Gage	0 psi to 5.8 psi	HPX005GD
Gage	0 psi to 15 psi	HPX015GD
Gage	0 psi to 30 psi	HPX030GD
Gage	0 psi to 50 psi	HPX050GD
Gage	0 psi to 100 psi	HPX100GD

HSD Series

Signal conditioning: Amplified
Supply voltage: 3.0 Vdc ±0.01 Vdc
Operating temperature: -20 °C to 105 °C [-4 °F to 221 °F]
Output signal: HEX E25 to EA8
Termination: OCLPP (Open Cavity Leadless Plastic Package)



MEASUREMENT TYPE	PRESSURE RANGE	REFERENCE
Absolute	0 psi to 15 psi	HSD015A

Mass Airflow Sensors



Mass Airflow sensors contain a thin-film, thermally isolated bridge structure that consists of a heater and temperature sensing elements. The bridge structure promotes sensitivity and fast response to the flow of air or other gas over the chip.

State-of-the-art chip design and manufacturing techniques allow the microbridge to be sensitive, fast and small. Used in appropriate applications where airflow needs to be measured.

Supply voltage: 8 Vdc to 15 Vdc
Operating temperature: -25 °C to 85 °C [-13 °F to 185 °F]
Media compatibility: Dry gas only

AWM2000 Series

The AWM2000 Series microbridge mass airflow sensor is a passive device comprised of two Wheatstone bridges and has bidirectional sensing capability. The heater control circuit is required for operation per specifications. The sensing bridge supply circuit is also required for operation per specifications. These two circuits are not on board the package and must be supplied in the application. The differential amplifier is often a useful interface for the sensing bridge. It can be used to introduce gain and to voltage offsets to the sensor output.

Signal conditioning: Unamplified (-44.5 mVdc to 44.5 mVdc)
Port style: Straight
Sensor resistance: 5 kOhm



FLOW/PRESSURE RANGE	REFERENCE
±200 sccm	AWM2100V
±4.0 in H ₂ O (10 mBar)	AWM2200V
±1000 sccm (1 SLPM)	AWM2300V

AWM3000 Series

Like the AWM2000 Series, the dual Wheatstone bridges control airflow measurement. The AWM3000 Series is amplified; therefore, it can be used to increase the gain and to introduce voltage offsets to the sensor output. The heater control circuit and the sensing bridge supply circuit are on board the package.

Signal conditioning: Amplified (1 Vdc to 5 Vdc)
Port style: Straight



FLOW/PRESSURE RANGE	REFERENCE
±200 cm	AWM3100V
+2.0 in H ₂ O (5 mBar)	AWM3200V
±1000 sccm (1 SLPM)	AWM3300V

AWM4000 Series

The microbridge mass airflow sensor operates on the theory of heat transfer. Mass airflow is directed across the surface of the sensing elements. Output voltage varies in proportion to the mass air or other gas flow through the inlet and outlet ports of the package. The specially designed housing precisely directs and controls the airflow across the microstructure sensing element. Mechanical design of the package typically allows it to be easily mounted to printed circuit boards.

The microbridge mass airflow sensor has a unique silicon chip based on advanced microstructure technology. It consists of a thin-film, thermally isolated bridge structure containing heater and temperature sensing elements. The bridge structure provides a sensitive and fast response to the flow of air or other gas over the chip. Dual sensing elements positioned on both sides of a central heating element indicate flow direction as well as flow rate. Laser trimmed thick film and thin film resistors provide consistent interchangeability from one device to the next.

Port style:

Manifold



AWM5000 Series - High Flow

AWM5000 Series microbridge mass airflow sensors feature a venturi type flow housing. They measure flow as high as 20 standard liters per minute (SLPM) while inducing a maximum pressure drop of 2.25 in H₂O. The microbridge chip is in direct contact with the flow stream, greatly reducing error possibilities due to orifice or bypass channel clogging.

The rugged plastic package has been designed to withstand common mode pressures up to 50 psi, and the small sensing element allows 100 g of shock without compromising performance. The included "AMP" compatible connector provides reliable connection in many demanding applications.

Each AWM5000 sensor contains circuitry which performs amplification, linearization, temperature compensation and gas calibration. A 1 Vdc to 5 Vdc linear output is possible for all listings regardless of flow range (5, 10, 15, or 20 SLPM) or calibration gas (nitrogen, carbon dioxide, nitrous oxide or argon). All calibration is performed by active laser.

Signal conditioning:

Amplified (1 Vdc to 5 Vdc)

Port style:

Threaded, 1/4 in NPT

OUTPUT CONNECTIONS

- Pin 1 + Supply voltage
 - Pin 2 Ground
 - Pin 3 No connection
 - Pin 4 Output voltage
- Arrow on bottom of housing indicates direction of flow



SIGNAL CONDITIONING

- Unamplified (8.5 mV)
- Unamplified (54.7 mV)
- Amplified (1 Vdc to 5 Vdc)
- Amplified (1 Vdc to 5 Vdc)

FLOW/PRESSURE RANGE

- ±25 sccm
- ±1000 sccm (1 SLPM)
- ±1000 sccm (1 SLPM)
- + 6 SLPM

REFERENCE

- AWM42150VH
- AWM42300V
- AWM43300V
- AWM43600V

FLOW/PRESSURE RANGE

- 0 SLPM to 5 SLPM (N₂ calibration)
- 0 SLPM to 10 SLPM (N₂ calibration)
- 0 SLPM to 20 SLPM (CO₂ calibration)
- 0 SLPM to 20 SLPM (N₂ calibration)

REFERENCE

- AWM5101VN
- AWM5102VN
- AWM5104VC
- AWM5104VN

CAUTION

PRODUCT DAMAGE

AWM Series Microbridge Mass Airflow Sensors are not designed to sense liquid flow and will be damaged by liquid flow through the sensor.

Failure to comply with these instructions could result in product damage.

AWM700 Series

AWM700 Series microbridge mass airflow sensors provide in-line flow measurement with a specially designed bypass flow housing. The sensors measure flow as high as 200 standard litres per minute (SLPM) while inducing a pressure drop of 1 inch H₂O, typically. The AWM700 has a high flow range capability in a small package.

Signal conditioning: Amplified (1 Vdc to 5 Vdc)
Port style: Tapered, 22 mm



FLOW/PRESSURE RANGE
 ±200 SLPM

REFERENCE
 AWM720P1

NOTICE

LAMINAR FLOW

Due to the fast response time of the sensor, these specifications were generated using laminar flow. Airflow instability or “turbulence” present in the airstream will result in an increase in measurement uncertainty.

The turbulent flow problem can be corrected by either straightening the airflow using flow laminarizing or by slowing the response of the sensor using a simple RC time constant on the output of the sensor. This, of course, slows down the sensor response time. The values needed depend on the amount of turbulence present in the application.

Several techniques for laminarizing the flow include adding hex shaped honeycombs, foam, screen materials or adding constrictors (frits) to the flow stream. There are various commercial laminar flow elements that can be purchased. Unfortunately the greater the efficiency of the laminarizer, the greater the increase in pressure drop in order to establish a given flow rate. Plastic honeycomb material probably gives the most improvement for the least pressure drop. In any test fixture, the avoidance of sharp radii is an absolute requirement.

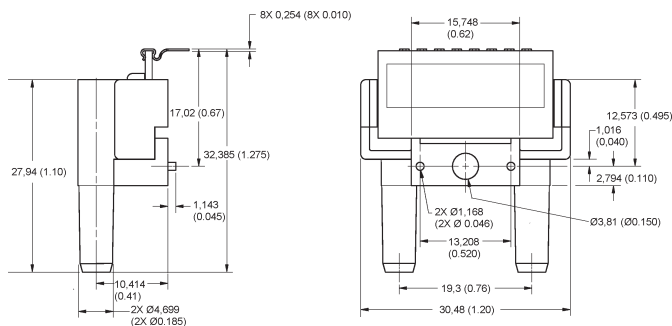
AWM90000 Series

The AWM90000 Series microbridge mass airflow sensors are available in two versions, mass flow and differential pressure. The AWM92100V has a flow range of ±200 sccm with a pressure drop of only 0.49 mBar, typically. The AWM92200V is a differential pressure version that has a range of ±2 in H₂O.

The AWM90000 Series has a 1 ms response time, operates with a supply voltage from 8.0 Vdc to 15.0 Vdc, while consuming only 50 mW of power. The compact plastic package will withstand a maximum overpressure of 25 psi without compromising performance.

Signal Conditioning:
Port Style:

Unamplified
 Straight



FLOW RANGE (FULL SCALE)
 ±200 SCCM

PRESSURE RANGE
 ±2.0 H₂O (5 mBar)

REFERENCE
 AWM92100V
 AWM92200V

CAUTION

PRODUCT DAMAGE

AWM Series Microbridge Mass Airflow Sensors are not designed to sense liquid flow and will be damaged by liquid flow through the sensor.

Failure to comply with these instructions could result in product

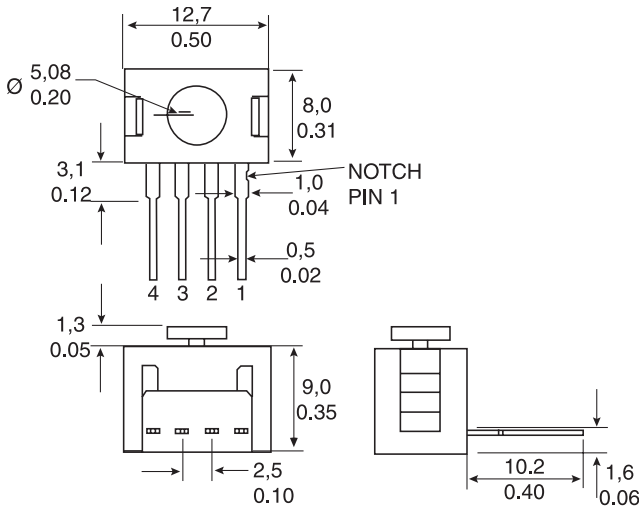
Force Sensors



Force sensors operate on the principle that the resistance of silicon-implanted piezoresistors will increase when the resistors flex under any applied force. The sensor concentrates force from the application, through the stainless steel plunger, directly to the silicon sensing element. The amount of resistance changes in proportion to the amount of force being applied. This change in circuit resistance results in a corresponding mV output level.

FSG Series

Supply voltage: 360 mV span @ 10 Vdc
Operating temperature: -40 °C to 85 °C [-40 °F to 185 °F]
Sensitivity: 0.20 mV/g min., 0.24 mV/g typ., 0.28 mV/g max.
Overforce: 5500 g

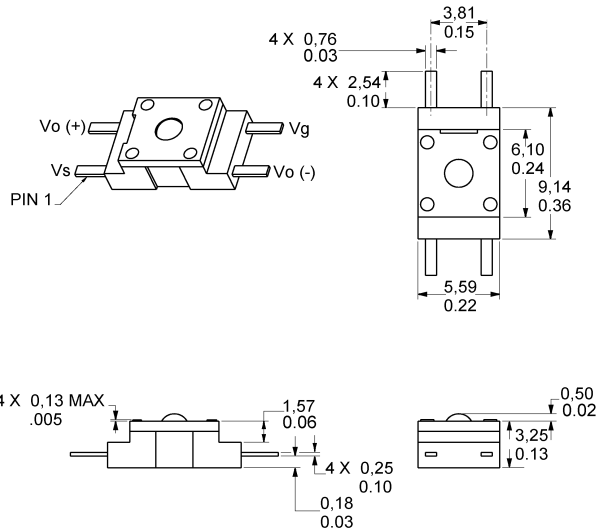


Plunger actuator - force range 1500 g

Non-compensated REFERENCE
FSG15N1A

FSL Series

Supply voltage: 60 mV span @ 5 Vdc
Operating temperature: -40 °C to 85 °C [-40 °F to 185 °F]
Sensitivity: 0.10 mV/g min., 0.12 mV/g typ., 0.14 mV/g max.
Overforce: 4500 g



Ball bearing actuator - force range 500 g

Non-compensated REFERENCE
FSG15N1A

Model 1865 Force/Pressure Transducer

Model 1865 is a high-performance transducer specifically designed to address the needs of certain medical and specialized OEM applications. Offering laser-trimmed compensation, Model 1865 may be specified to operate with either a constant current or voltage supply.

Model 1865 employs a solid state piezoresistive pressure transducer mounted in a plastic package. For applications where force is applied by a flexible membrane to the sensor, such as found in infusion pumps, Model 1865's precision height silicone diaphragm provides long life and is often a reliable replacement for older force or load cell transducers. Utilizing a silicon rubber diaphragm, Model 1865 is compatible with some liquid media applications. Model 1865 may be operated in either current or voltage excitation, and its output may be amplified or signal conditioned, as required. The semiconductor-based sensor offers high resolution using its Wheatstone bridge strain gage design. The height of the unit's patented, poured-in-place silicon rubber diaphragm is controlled to promote sensitivity to low pressure. This diaphragm is bonded to a plastic header and transmits force applied through a special silicone gel to the diaphragm of a silicon piezoresistive die. The back of the die is exposed to atmospheric pressure, which results in a gage pressure output.

Pressure over-range protection: 3X span or 60 psi, whichever is least
Media/materials compatibility

Top side: Room atmosphere, directly applied force, and liquids compatible with dimethyl silicon, polyetherimide (Ultem®)

Bottom side: Non-corrosive dry gasses and fluids compatible with silicon, pyrex, RTV silicone and ceramic

Sensor: Gage pressure
Diaphragm: Dimethyl silicone
Compensation: Laser-trimmed normalized output



OPTIONS

Excitation 1.5 mA

PRESSURE	REFERENCE
0 psi to 5 psi	1865-01G-L-N
0 psi to 10 psi	1865-02G-L-N
0 psi to 15 psi	1865-03G-L-N
0 psi to 25 psi	1865-04G-L-N
0 psi to 30 psi	1865-05G-L-N

Excitation 10 Vdc

PRESSURE	REFERENCE
0 psi to 5 psi	1865-01G-K-N
0 psi to 10 psi	1865-02G-K-N
0 psi to 15 psi	1865-03G-K-N
0 psi to 25 psi	1865-04G-K-N
0 psi to 30 psi	1865-05G-K-N

FS Series Force/Pressure Sensor

The FS01/FS03 Sensors are special low-cost, piezoresistive-based force sensors. These high-level voltage output, calibrated and temperature-compensated sensors give an accurate and stable output over a 5 °C to 50 °C [41 °F to 122 °F] temperature range. They offer simple operation from a single 5.0 Vdc supply. The FS01/FS03 sensors feature an integrated circuit sensor element and laser-trimmed, thick-film ceramic in a small plastic housing. Their extremely small size often enables the use of multiple sensors in limited available space. This package also provides excellent corrosion resistance and isolation to external package stress.

Supply voltage: 12.0 Vdc
Operating temperature: 0 °C to 70 °C [32 °F to 158 °F]
Maximum force: 7 lb



PRESSURE	REFERENCE
0 lb to 1.5 lb	FS01
0 lb to 3.0 lb	FS03

Humidity Sensors



HIH-4000 Series

The HIH-4000 Series humidity sensors are designed specifically for high volume OEM users. Direct input to a controller or other device is made possible by this sensor's linear voltage output. With a typical current draw of only 200 μ A, the HIH-4000 Series is often ideally suited for low drain, battery operated systems. Tight sensor interchangeability reduces or eliminates OEM production calibration costs. Individual sensor calibration data is available.

These sensors deliver instrumentation-quality RH sensing performance in a competitively priced, solderable SIP. Available in two lead spacing configurations, the RH sensor is a laser trimmed, thermoset polymer capacitive sensing element with on-chip integrated signal conditioning.

Package style: Solderable SIP



TERMINATION	CALIBRATION	REFERENCE
2,54 mm [0.100 in] lead pitch	None	HIH-4000-001
1,27 mm [0.050 in] lead pitch	None	HIH-4000-002
2,54 mm [0.100 in] lead pitch	with calibration and data printout	HIH-4000-003
1,27 mm [0.050 in] lead pitch	with calibration and data printout	HIH-4000-004

CAUTION PRODUCT DAMAGE

The inherent design of this component causes it to be sensitive to the electrostatic discharge (ESD). To prevent ESD-induced damage and/or degradation, take normal ESD precautions when handling this product.

Failure to comply with these instructions could result in product damage

Relative Humidity/Temperature and Relative Humidity sensors are configured with integrated circuitry to provide on-chip signal conditioning. These sensors contain a capacitive sensing die set in thermoset polymers that interacts with platinum electrodes. The laser trimmed sensors have an interchangeability of $\pm 5\%$ from 0 %RH to 60 %RH, with stable, low drift performance.

Absorption based humidity sensors provide both temperature and %RH (Relative Humidity) outputs. On-chip signal processing ensures linear voltage output versus %RH. Sensor laser trimming offers accuracy of $\pm 2.5\%$, and achieves 2 %RH accuracy with calibration.

Supply voltage: 4.0 Vdc to 5.8 Vdc
Operating humidity range: 0 %RH to 100 %RH, non-condensing
Operating temperature range: -40 °C to 85 °C [-40 °F to 185 °F]

HIH Series

HIH-3602 Monolithic integrated circuit

HIH-3602-A and HIH-3602-C RH sensors combine both relative humidity and temperature sensing in a TO-5 housing with a hydrophobic sintered stainless steel filter. The temperature sensor is thermally connected with the RH sensor making the HIH-3602-A/C often ideal for measuring dew point and other absolute moisture terms.

Package style: TO-5 can
Termination: 0,46 mm [0.18 in]
NIST certification: NIST calibration sensor-specific printout



INTERNAL PIN CONNECTIONS
0,46 mm [0.018 in] dia. lead gold plated (6 places)

A, B	(HIH-3602-A) Thermistor for temperature compensation
A, B	(HIH-3602-C) RTD for temperature compensation
C	+VDC supply
D	(-) Power or ground
E	VDC out
F	Case ground

TEMPERATURE SENSOR	REFERENCE
100 kOhm $\pm 5\%$ @ 25 °C, NTC 0-50 C	HIH-3602-A
1000 Ohm $\pm 0.2\%$ @ 0 °C, platinum RTD	HIH-3602-C

HIH-3602-L Integrated circuit

The HIH-3602-L Relative Humidity (RH) sensor delivers instrumentation-quality RH sensing performance in a rugged, low cost, slotted TO-39 housing. On-board signal conditioning reduces product development times while a typical current draw of only 200 μ A makes the HIH-3602-L perfect for battery powered systems. This sensor should be shielded from bright light.

Package style: TO-39 can
Termination: 0,46 mm [0.18 in]
NIST certification: None



INTERNAL PIN CONNECTIONS
0,46mm [0.018 in] dia. lead gold plated (6 places)

A, B	No connection
C	+VDC supply
D	(-) Power or ground
E	VDC out
F	Case ground

REFERENCE
HIH-3602-L

Temperature Sensors - RTDs



Honeywell's thin-film RTD (Resistance Temperature Detector) temperature sensors feature two distinct series. These sensors are laser-trimmed for accuracy and interchangeability. Linear outputs are stable and fast.

The TD Series Temperature Sensors are silicon-based RTDs. They offer 2000 Ohm nominal resistance at 20 °C. Temperature range of -40 °C to 150 °C [-40 °F to 302 °F].

The HEL Series Temperature Sensors are platinum RTDs, offering 100 Ohm or 1000 Ohm versions and temperature ranges of -200 °C to 540 °C [-300 °F to 1000 °F].

HEL-700 Series 100/1000 Ohm Platinum RTD

Supply voltage: 4 Vdc to 9 Vdc
Base resistance and interchangeability: 1000 ±2 Ohm (±0.2 %) @ 0 °C (standard)
 1000 ±1 Ohm (±0.1 %) @ 0 °C (optional)

OPTIONS

HEL-700

Temperature range: -200 °C to 540 °C [-300 °F to 1000 °F]
Packaging style/termination: Radial chip/ribbon leads (type A)
 Radial chip/no leads (type B)
 SMT (axial) flip chip/no leads (type C)

Type A



Type B



Type C



100 Ohm (0.00385 Ohm/Ohm/°C DIN standard)

PACKAGING STYLE	BASE RESISTANCE AND INTERCHANGEABILITY	REFERENCE
Type A	Standard	HEL-700-T-0-A
Type A	Optional	HEL-700-T-1-A
Type B	Standard	HEL-700-T-0-B
Type B	Optional	HEL-700-T-1-B

1000 Ohm (0.00375 Ohm/Ohm/°C)

PACKAGING STYLE	BASE RESISTANCE AND INTERCHANGEABILITY	REFERENCE
Type A	Standard	HEL-700-U-0-A
Type A	Optional	HEL-700-U-1-A
Type B	Standard	HEL-700-U-0-B
Type B	Optional	HEL-700-U-1-B
Type C	Standard	HEL-700-U-0-C
Type C	Optional	HEL-700-U-1-C

CAUTION

PRODUCT DAMAGE

The inherent design of this component causes it to be sensitive to the electrostatic discharge (ESD). To prevent ESD-induced damage and/or degradation, take normal ESD precautions when handling this product.

Failure to comply with these instructions could result in product damage

HEL-700 Series 100/1000 Ohm Platinum RTD (continued)

HEL-705/707/711/712/716/717

Temperature range: -200 °C to 260 °C [-320 °F to 500 °F] (HEL-705/711/716)
 -75 °C to 540 °C [-100 °F to 1000 °F] (HEL-707/712/717)

Packaging style: Ceramic case
 Termination: 12 in leadwires
 NIST calibration: None



100 Ohm (0.00385 Ohm/Ohm/°C DIN standard)

BASE RESISTANCE AND INTERCHANGEABILITY	REFERENCE
Standard	HEL-705-T-0-12-00
Optional	HEL-705-T-1-12-00
Standard	HEL-707-T-0-12-00
Optional	HEL-707-T-1-12-00
Standard	HEL-711-T-0-12-00
Optional	HEL-711-T-1-12-00
Standard	HEL-712-T-0-12-00
Optional	HEL-712-T-1-12-00
Standard	HEL-716-T-0-12-00
Optional	HEL-716-T-1-12-00
Standard	HEL-717-T-0-12-00
Optional	HEL-717-T-1-12-00

1000 Ohm (0.00375 Ohm/Ohm/°C)

BASE RESISTANCE AND INTERCHANGEABILITY	NIST CALIBRATION	REFERENCE
Standard		HEL-705-U-0-12-00
Optional		HEL-705-U-1-12-00
Standard		HEL-707-U-0-12-00
Optional		HEL-707-U-1-12-00
Standard		HEL-711-U-0-12-00
Optional		HEL-711-U-1-12-00
Standard		HEL-712-U-0-12-00
Optional		HEL-712-U-1-12-00
Standard		HEL-716-U-0-12-00
Optional		HEL-716-U-1-12-00
Optional	NIST @ 0 °C and 100 °C	HEL-716-U-1-12-C2
Standard		HEL-717-U-0-12-00
Optional		HEL-717-U-1-12-00

TD Series 2000 Ohm Silicon RTD

Supply voltage: 10 Vdc
 Temperature range: -40 °C to 150 °C [-40 °F to 302 °F]

OPTIONS



TD4A Liquid temperature sensor

PACKAGING STYLE	TERMINATION	REFERENCE
Threaded aluminium case	Leadwires	TD4A



TD5A Subminiature temperature sensor

PACKAGING STYLE	TERMINATION	REFERENCE
Plastic case	SIP	TD5A

Temperature Sensors - Thermistors



Thermistors change resistance with a change in temperature. They do not amplify, rectify, polarize or generate a signal. The thermistor temperature may be changed by the surrounding temperature or by self-heating the thermistor by passing a current through it.

Most applications such as temperature measurement and control or copper coil compensation require that the power dispersed in a thermistor be kept to a minimum so as not to perceptibly self-heat the thermistor. Other applications depend entirely on the self-heating effect. When the surrounding temperature is fixed, the resistance of a thermistor is largely a function of power being dispersed within it, raising its temperature above its environment. Under these operating conditions, the temperature may rise 100 °C to 200 °C [121 °F to 392 °F] and the resistance may be lowered to 1/1000th of its original value at low current.

This self-heating characteristic provides a whole field of uses for the thermistor. In the self-heat state it is thermally sensitive (its resistance will be changed) to any condition, changing the rate at which heat is conducted away from it. If the rate of heat removal is ideally fixed, then the thermistor is sensitive to power input and suited for use in voltage or power level control applications.

Glass Encapsulated Chip (GEC) Thermistors

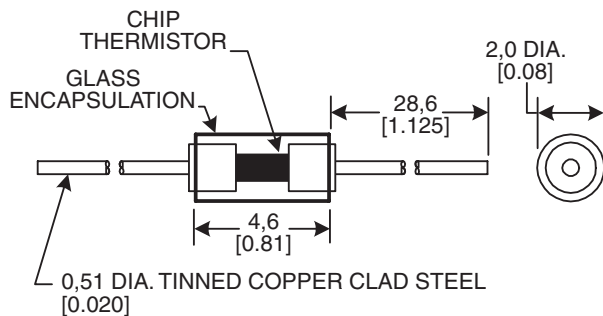
The GEC thermistors are high-quality, hermetically-sealed, glass-encapsulated chip thermistors in an axial lead package. They cover the full temperature range of -60 °C to 300 °C [-76 °F to 572 °F]. These rugged sensors are designed for many applications which demand reliability at low cost. The uniform dimensions often are ideally suited for automated assembly.

- Operating temperature:** -60 °C to 300 °C [-76 °F to 572 °F]
- Encapsulation:** DO-35 glass
- Lead material:** Tinned copper-clad steel
- Dissipation constant (DC):** 2.5 mW/°C in still air min.
- Time constant (TC):** 4 s in still air max.
- Resistance range at 25 °C [77 °F]:** 1 kOhm to 1 MOhm

OPTIONS

At 25 °C [77 °F]

OHM	% TOLERANCE	R/T CURVE	REFERENCE
1,000	10	10A	135-102DAG-J01
2,000	10	10	135-202FAG-J01
3,000	10	10	135-302FAG-J01
5,000	5	10	135-502FAF-J01
5,000	10	10	135-502FAG-J01
10,000	5	10	135-103FAF-J01
10,000	10	16	135-103FAG-J01
10,000	5	16	135-103LAF-J01
20,000	10	16	135-203LAG-J01
30,000	10	16	135-303KAG-J01
50,000	5	16	135-503LAF-J01
50,000	10	16	135-503LAG-J01
100,000	5	16	135-104LAF-J01
100,000	10	16	135-104LAG-J01
200,000	10	1	135-204QAG-J01
500,000	10	1	135-504QAG-J01
1 M	10	1	135-105QAG-J01



Interchangeable R/T curve matched

±1 °C from 0 °C to 100 °C [32 °F to 212 °F]

OHM	R/T CURVE	REFERENCE
10,000	16	135-103LFW-J01
20,000	16	135-203LFW-J01
30,000	16	135-303LFW-J01
50,000	16	135-503LFW-J01
100,000	16	135-104LFW-J01

Epoxy-coated or Uncoated Chip Thermistors

Epoxy-coated or uncoated chip thermistors are available in a broad range of custom resistance values and R/T curves. They are also available in two lead types:

- Uninsulated: 0,2032 mm [0.008 in] diameter, tinned copper for 1 kOhm or less, and tinned copper alloy for greater than 1 kOhm.
- Insulated: 0,254 mm [0.010 in] diameter, nickel wire, Teflon®-insulated, 38,1 mm [1.5 in] long and furnished with 6,35 mm [0.25 in] stripped ends of 0,4064 mm [0.016 in] and 0,508 mm [0.020 in] tin-plated copper leads.

Operating temperature range: -40 °C to 125 °C [-40 °F to 257 °F]*

Encapsulation: Epoxy-coated or uncoated

- Lead material:**
- Uninsulated: tinned copper/copper alloy
 - Insulated: tinned copper/copper alloy with nickel wire Teflon

Dissipation constant (DC): 0.75 mW/°C in still air min.

Time constant (TC): 15 s in still air max.

Resistance range at 25 °C [77 °F]: 100 Ohm to 100 kOhm

*Very accurate (±0.2 °C) when used between 0 °C to 70 °C [32 °F to 158 °F]. Other ranges and tolerances are available.

OPTIONS

Epoxy-coated chip



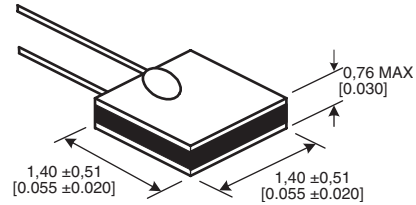
10 % tolerance at 25 °C [77 °F], uninsulated leads

OHM	R/T CURVE	REFERENCE
100	17	197-101CAG-A01
300	17	197-301CAG-A01
500	10A	197-501DAG-A01
1,000	10A	197-102DAG-A01
2,000	16	197-202LAG-A01
3,000	16	197-302LAG-A01
5,000	16	197-502LAG-A01
10,000	16	197-103LAG-A01
20,000	16	197-203LAG-A01
30,000	18	197-303KAG-A01
50,000	1	197-503QAG-A01
100,000	1	197-104QAG-A01

10 % tolerance at 25 °C [77 °F], insulated leads

OHM	R/T CURVE	REFERENCE
100	17	199-101CAG-A01
300	17	199-301CAG-A01
500	10A	199-501DAG-A01
1,000	10A	199-102DAG-A01
2,000	16	199-202LAG-A01
3,000	16	199-302LAG-A01
5,000	16	199-502LAG-A01
10,000	16	199-103LAG-A01
20,000	16	199-203LAG-A01
30,000	18	199-303KAG-A01
50,000	1	199-503QAG-A01
100,000	1	199-104QAG-A01

Uncoated chip



10 % tolerance at 25 °C [77 °F], unisulated leads

OHM	R/T CURVE	REFERENCE
100	17	195-101CAG-A01
300	17	195-301CAG-A01
500	10A	195-501DAG-A01
1,000	10A	195-102DAG-A01
2,000	16	195-202LAG-A01
3,000	16	195-302LAG-A01
5,000	16	195-502LAG-A01
10,000	16	195-103LAG-A01
20,000	16	195-203LAG-A01
30,000	18	195-303KAG-A01
50,000	1	195-503QAG-A01
100,000	1	195-104QAG-A01

10 % tolerance at 25 °C [77 °F], insulated leads

OHM	R/T CURVE	REFERENCE
100	17	198-101CAG-A01
300	17	198-301CAG-A01
500	10A	198-501DAG-A01
1,000	10A	198-102DAG-A01
2,000	16	198-202LAG-A01
3,000	16	198-302LAG-A01
5,000	16	198-502LAG-A01
10,000	16	198-103LAG-A01
20,000	16	198-203LAG-A01
30,000	18	198-303KAG-A01
50,000	1	198-503QAG-A01
100,000	1	198-104QAG-A01

UNI-CURVE® Interchangeable Thermistors

The UNI-CURVE® Interchangeable thermistors are temperature-matched. They offer additional cost savings by eliminating the need for individual resistance temperature calibration, as well as standardization of circuit components and simplification of design and replacement problems.

Operating temperature range: -40 °C to 150 °C [-40 °F to 302 °F]*
Encapsulation: Epoxy-coated
Lead material: Tinned copper alloy
Dissipation constant (DC): 0.75 mW/°C in still air min.
Time constant (TC): 15 s in still air max.
Resistance range at 25 °C [77 °F]: 1 kOhm to 100 kOhm
 *Very accurate (± 0.2 °C) when used between 0 °C to 70 °C [32 °F to 158 °F]. Other ranges and tolerances are available.



OPTIONS

$\pm 0,2$ °C tolerance at 25 °C [77 °F]
0 °C to 70 °C [32 °F to 158 °F]

OHM	R/T CURVE	REFERENCE
1,000	10A	192-102DET-A01
2,252	16	192-222LET-A01
3,000	16	192-302LET-A01
5,000	16	192-502LET-A01
10,000	16	192-103LET-A01
30,000	18	192-303KET-A01
30,000	1	192-303QET-A01
50,000	1	192-503QET-A01
100,000	1	192-104QET-A01

$\pm 0,5$ °C tolerance at 25 °C [77 °F]
0 °C to 70 °C [32 °F to 158 °F]

OHM	R/T CURVE	REFERENCE
1,000	10A	192-102DEV-A01
2,252	16	192-222LEV-A01
3,000	16	192-302LEV-A01
5,000	16	192-502LEV-A01
10,000	16	192-103LEV-A01
30,000	18	192-303KEV-A01
30,000	1	192-303QEV-A01
50,000	1	192-503QEV-A01
100,000	1	192-104QEV-A01

$\pm 1,0$ °C tolerance at 25 °C [77 °F]
0 °C to 70 °C [32 °F to 158 °F]

OHM	R/T CURVE	REFERENCE
1,000	10A	192-102DEW-A01
2,252	16	192-222LEW-A01
3,000	16	192-302LEW-A01
5,000	16	192-502LEW-A01
10,000	16	192-103LEW-A01
30,000	18	192-303KEW-A01
30,000	1	192-303QEW-A01
50,000	1	192-503QEW-A01
100,000	1	192-104QEW-A01

Disc Thermistors

Uncoated or epoxy-coated Disc thermistors are available in a broad range of custom resistance values and R/T curves. They are only available with uninsulated leads. Diameters range from 2,54 mm [0.1 in] to 10,16 mm [0.4 in]. They are often ideally suited for low-cost applications with a maximum temperature of 150 °C [302 °F]. They are also typically well suited for PC board mount and are available on tape and reel.

Operating temperature range: -60 °C to 150 °C [-76 °F to 302 °F]
Encapsulation: Epoxy-coated or uncoated
Lead material: Uninsulated: tinned copper/copper alloy
Dissipation constant (DC): Varies with size, ranges from 3 mW/°C to 8 mW/°C
Time constant (TC): Varies with size ranges from 10 s to 32 s
Resistance range at 25 °C [77 °F]: 100 Ohm to 100 kOhm

OPTIONS

Epoxy-coated chip



10 % tolerance at 25 °C [77 °F]
Lead diameter 0,4064 mm [0.016 in]
Lead spacing 2,54 mm [0.1 in]

OHM	R/T CURVE	DC MIN.	TC MAX.	REFERENCE
500	10	3	10	140-501FAG-RB1
1,000	10	4	10	140-102FAG-RB1
3,000	16	3	10	140-302LAG-RB1
5,000	16	4	10	140-502LAG-RB1
10,000	16	4	10	140-103LAG-RB1
50,000	1	3	10	140-503QAG-RB1
100,000	1	3	10	140-104QAG-RB1

10 % tolerance at 25 °C [77 °F]
Lead diameter 0,508 mm [0.020 in]
Lead spacing 5,08 mm [0.2 in]

OHM	R/T CURVE	DC MIN.	TC MAX.	REFERENCE
100	10	4	16	143-101FAG-RC1
200	10	5	18	143-201FAG-RC1
300	10	6	20	143-501FAG-RC1
1,000	16	6	20	143-102LAG-RC1
3,000	16	6	22	143-302LAG-RC1
5,000	16	7	35	143-502LAG-RC1
10,000	1	4	20	143-103QAG-RC1
30,000	1	6	25	143-303QAG-RC1
50,000	1	7	30	143-503QAG-RC1

Uncoated chip



10 % tolerance at 25 °C [77 °F]

Lead diameter 0,4064 mm [0.016 in]

Lead spacing 2,54 mm [0.1 in]

OHM	R/T CURVE	DC MIN.	TC MAX.	REFERENCE
500	10	3	10	142-501FAG-RB1
1,000	10	4	10	142-102FAG-RB1
3,000	16	3	10	142-302LAG-RB1
5,000	16	4	10	142-502LAG-RB1
10,000	16	4	10	142-103LAG-RB1
50,000	1	3	10	142-503QAG-RB1
100,000	1	3	10	142-104QAG-RB1

10 % tolerance at 25 °C [77 °F]

Lead diameter 0,508 mm [0.020 in]

Lead spacing 5,08 mm [0.2 in]

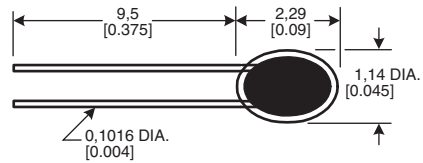
OHM	R/T CURVE	DC MIN.	TC MAX.	REFERENCE
100	10	4	16	145-101FAG-RC1
200	10	5	18	145-201FAG-RC1
300	10	6	20	145-301FAG-RC1
500	10	6	25	145-501FAG-RC1
1,000	16	6	20	145-102LAG-RC1
3,000	16	6	22	145-302LAG-RC1
5,000	16	7	35	145-502LAG-RC1
10,000	1	4	20	145-103QAG-RC1
30,000	1	7	28	145-303QAG-RC1
50,000	1	8	32	145-503QAG-RC1

Standard Bead Thermistors

Standard Bead thermistors are hermetically-sealed in glass. These small units provide maximum stability when used to 300 °C [572 °F] for high temperature design requirements. They are often ideally suited for many stringent military, aerospace and oceanographic applications.

Operating temperature range: -60 °C to 300 °C [-76 °F to 572 °F]
Encapsulation: Glass hermetic seal
Lead material: Platinum iridium
Dissipation constant (DC): 0.4 mW/°C in still air min.
Time constant (TC): 4 s in still air max.
Resistance range at 25 °C [77 °F]: 200 Ohm to 1 MOhm

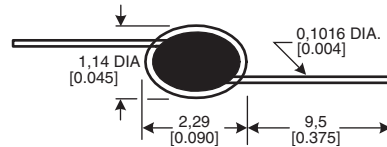
OPTIONS



Adjacent leads

20 % Tolerance at 25 °C [77 °F]

OHM	R/T CURVE	RATIO 0 °C/50 °C	REFERENCE
200	8	4.80	112-201BAJ-B01
1,000	11	7.04	112-102EAJ-B01
2,000	11	7.04	112-202EAJ-B01
5,000	11	7.04	112-502EAJ-B01
10,000	12	7.59	112-103FAJ-B01
20,000	13	9.11	112-203HAJ-B01
50,000	14	9.53	112-503JAJ-B01
100,000	15	10.45	112-104KAJ-B01
200,000	15	10.45	112-204KAJ-B01
500,000	4	11.78	112-504NAJ-B01
1 M	5	13.12	112-105PAJ-B01



Axial leads

20 % Tolerance at 25 °C [77 °F]

OHM	R/T CURVE	RATIO 0 °C/50 °C	REFERENCE
2,000	11	7.04	112-202EAJ-H01
5,000	11	7.04	112-502EAJ-H01
10,000	12	7.59	112-103FAJ-H01
100,000	15	10.45	112-104KAJ-H01
600,000	4	11.78	112-604NAJ-H01

Small Bead Thermistors

Small Bead Thermistors feature relatively uniform size, offer ultra-fast time response and are highly sensitive to electric power. They are often ideally suited for use in low heat capacity applications and their micro size many times makes them perfect for use in extremely small assemblies such as catheters and hypodermic needles. They are also often used in self-heat applications such as gas analysis, gas flow measurement and thermal conductivity analysis.

Operating temperature range: -60 °C to 300 °C [-76 °F to 572 °F]
Encapsulation: Glass hermetic seal
Lead material: Platinum iridium
Dissipation constant (DC): 0.1 mW/°C in still air min.
Time constant (TC): 1 s in still air max.
Resistance range at 25 °C [77 °F]: 2 kOhm to 100 kOhm

OPTIONS



Adjacent leads

at 25 °C [77 °F]

OHM	% TOLERANCE	R/T CURVE	RATIO 0 °C/50 °C [32 °F/122 °F]	REFERENCE
2,000	25	9	5.50	111-202CAK-B01
8,000	20	11	7.04	111-802EAJ-B01
30,000	25	11	7.04	111-303EAK-B01



Axial leads

at 25 °C [77 °F]

OHM	% TOLERANCE	R/T CURVE	RATIO 0 °C/50 °C [32 °F/122 °F]	REFERENCE
2,000	25	9	5.50	111-202CAK-H01
8,000	20	11	7.04	111-802EAJ-H01
10,000	20	11	7.04	111-103EAJ-H01
100,000	25	13	9.11	111-104HAK-H01

Glass Probe Thermistors

Glass Probe thermistors are shock resistant, rugged, glass-encapsulated units that are ideally suited for immersion in fluid and convenient for mounting in air sensor assemblies. They are available in two configurations: standard and mini.

Operating temperature range: -60 °C to 300 °C [-76 °F to 572 °F]
Encapsulation: Glass
Lead material: Dumet (copper-clad Ni-Fe wire)
Dissipation constant (DC):

- Standard: 1.0 mW/°C in still air min.
- Mini: 0.7 mW/°C in still air min.

Time constant (TC):

- Standard: 22 s in still air max.
- Mini: 10 s in still air max.

Resistance range at 25 °C [77 °F]: 1 kOhm to 10 MOhm

OPTIONS



Standard

20 % Tolerance at 25 °C [77 °F]

dc 1.0 mW/°C min., TC 22 s max.

OHM	R/T CURVE	RATIO	REFERENCE
1,000	11	7.04	121-102EAJ-Q01
2,000	11	7.04	121-202EAJ-Q01
5,000	11	7.04	121-502EAJ-Q01
10,000	12	7.59	121-103FAJ-Q01
50,000	14	9.53	121-502JAJ-Q01
100,000	15	10.45	121-104KAJ-Q01
200,000	15	10.45	121-202KAJ-Q01
500,000	4	11.89	121-504NAJ-Q01
1 M	5	13.12	121-105PAJ-Q01
10 M	6	15.65	121-106QAJ-Q01



Mini

20 % Tolerance at 25 °C [77 °F]

dc 0.7 mW/°C min., TC 10 s max.

OHM	R/T CURVE	RATIO	REFERENCE
1,000	11	7.04	120-102EAJ-Q01
2,000	11	7.04	120-202EAJ-Q01
10,000	12	7.59	120-103FAJ-Q01
50,000	14	9.53	120-502JAJ-Q01
100,000	15	10.45	120-104KAJ-Q01

E-I Matched Bead Thermistors

E-I Matched Bead thermistors are designed for use in many gas chromatography and other thermal conductivity gas analysis instruments. Each bead is mounted to a special hermetically-sealed header. For maximum sensitivity, the higher resistance units should be used at higher ambient temperatures.

Operating temperature range: -60 °C to 300 °C [-76 °F to 572 °F]
Encapsulation: Glass hermetic seal
Lead material: Tinned Ni-Fe



OPTIONS

Helium-matched assembly

Characteristics: 115-802EDJ-801
Resistance at 25 °C [77 °F]: 8000 Ohm ±25 %
Resistance at 0 °C [32 °F] (approx.): 23,200 Ohm
Resistance at 50 °C [122 °F] (approx.): 3,200 Ohm
Ratio of resistance 0 °C/50 °C: 6.56 to 7.99
Beta nominal at 25 °C: 3495 K
Temperature coefficient at 25 °C: -3.9 %/°C
Time constant (TC) still air max.: 1 s
Dissipation constant (DC) still air min.: 0.16 mW/°C
DC helium: 0.5 mW/°C
Power rating (air): 45 mW
Power rating (helium): 140 mW
Max. ambient temperature: 250 °C [482 °F]
Max. operating temperature (including self-heat): 300 °C [572 °F]
Resistance at max. operating temperature: 25 Ohm

2 % resistance at 25 °C [77 °F]

DESCRIPTION	REFERENCE
Two 111-802EAJ-H01 each mounted on a glass hermetic seal and matched in helium to within 30 mV, 25 mV and 20 mV of each other at 2 mA, 5 mA, 10 mA and 15 mA.	115-802EDJ-801

Air-matched assembly

Characteristics: 115-202CDK-801
Resistance at 25 °C [77 °F]: 2000 Ohm ±25 %
Resistance at 0 °C [32 °F] (approx.): 4900 Ohm
Resistance at 50 °C [122 °F] (approx.): 890 Ohm
Ratio of resistance 0 °C/50 °C: 4.95 to 6.95
Beta nominal at 25 °C: 3000 K
Temperature coefficient at 25 °C: -3.4 %/°C
Time constant (TC) still air max.: 1 s
Dissipation constant (DC) still air min.: 0.16 mW/°C
DC helium: 0.5 mW/°C
Power rating (air): 15 mW
Power rating (helium): 60 mW
Max. ambient temperature: 100 °C [212 °F]
Max. operating temperature (including self-heat): 150 °C [302 °F]
Resistance at max. operating temperature: 88 Ohm

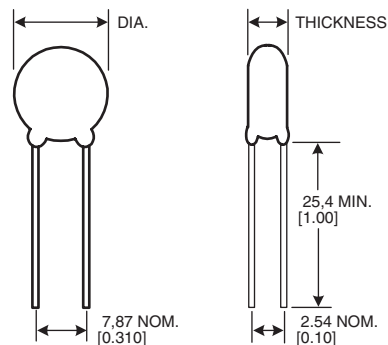
5 % resistance at 25 °C [77 °F]

DESCRIPTION	REFERENCE
Two 111-202CAK-H01 each mounted on a glass hermetic seal and matched in air to within 15 mV of each other at 5 mA, 10 mA and 15 mA.	115-202CDK-801

ICL Inrush Current Limiter Thermistors

ICL Inrush Current Limiter thermistors are a cost-effective way of limiting the inrush of current that may damage components in a switching power supply and in other power devices when the equipment is turned on. These devices have solderable leads and are PC board mountable.

Operating temperature range: -40 °C to 185 °C [-40 °F to 365 °F]
Maximum steady state current: 1 A to 30 A
Encapsulation: Black silicone
Lead material: Tinned copper
Dissipation constant (DC): 12.7 mW/°C to 23 mW/°C
Time constant (TC): 32 s to 93 s
Resistance range at 25 °C [77 °F]: 0.5 Ohm to 220 Ohm ±20 %
Resistance at max. steady state current: 0.01 Ohm to 2.34 Ohm
Max. diameter: 9.5 mm [0.374 in] to 32.0 mm [1.260 in]
Max. thickness: 5.0 mm [0.204 in] to 8.0 mm [0.327 in]
Lead diameter: 0.8 mm [0.032 in] to 1.0 mm [0.040 in]



OHM	MAX. STEADY STATE CURRENT (A)	RESISTANCE AT MAX. STEADY STATE CURRENT (OHM)	REFERENCE
0.5	30	0.01	ICL320R530-01
1	20	0.02	ICL221R020-01
1	30	0.02	ICL321R030-01
2	18	0.03	ICL222R018-01
2.5	8	0.07	ICL152R508-01
2.5	8	0.06	ICL122R508-01
2.5	15	0.03	ICL222R515-01
5	6	0.1	ICL155R006-01
5	7	0.07	ICL155R007-01
10	2	0.3	ICL1010002-01
10	3.2	0.18	ICL1010004-01
10	5	0.13	ICL1210005-01
10	6	0.15	ICL1510006-01
10	8	0.1	ICL2210008-01
12	4	0.26	ICL1512004-01
16	4	0.27	ICL1516004-01
20	2	0.5	ICL1220002-01
40	2	0.6	ICL1240002-01
50	2	0.72	ICL1250002-01
80	2.5	0.75	ICL1580003-01
120	3	0.9	ICL2212103-01
220	2	0.8	ICL1522102-01

Temperature Sensors - Probes



Temperature Sensor Probes are finished thermistor assemblies complete with thermistor housing, extension leads and usually a connector. A variety of customized packages are available.

NOTE: The products in this section do not follow the "how to use this catalogue" instructions provided in the catalogue introduction. Specific reference numbers are not given due to their custom nature. Please contact your local Honeywell sales office for ordering information.

ES120 Series Coolant/Oil Temperature Sensor Probes

The ES120 probe is a thermistor mounted into a plastic lead frame and assembled into a metal body. This subassembly is then overmolded to produce both the electrical connection system and the hexagonal shape for easy installation. The all-plastic design reduces heat loss through the sensor, thereby reducing wind chill effects.

- Operating temperature range:** -40 °C to 155 °C [-40 °F to 311 °F]
- Encapsulation:** NTC (Negative Temperature Coefficient) encapsulated in thermal epoxy
- Lead material:** Terminals are 2,8 mm x 0,8 mm [0.11 in x 0.03 in] brass with a copper flash protection layer with final plating to customer requirement (silver, tin, gold, etc.)
- Dissipation constant:** Tor values (time to reach 63.2 % of the difference between two temperatures) are typically 19 s rising temperature and 14 s falling temperature
- Time constant:** None
- Resistance range at 25 °C [77 °F]** 2.5 kOhm at 20 °C [68 °F] ±5 %

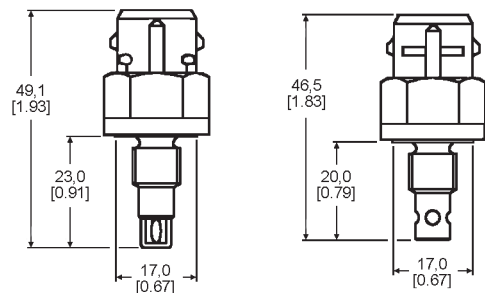


SERIES NAME
ES120 Coolant/Oil Temperature Sensor Probe

ES110 Series Inlet Air Temperature Sensor Probes

The ES110 probe is a thermistor mounted into a plastic lead frame and assembled into a metal body. This subassembly is then overmolded to produce both the electrical connection system and the hexagonal shape for easy installation. Two end configurations are available depending upon response required or degree of protection. The all-plastic design reduces heat loss through the sensor, thereby reducing wind chill effects.

- Operating temperature range:** -40 °C to 155 °C [-40 °F to 311 °F]
- Encapsulation:** Standard NTC (Negative Temperature Coefficient) epoxy protection
- Lead material:** Terminals are 2,8 mm x 0,8 mm [0.11 in x 0.03 in] brass with a copper flash protection layer with final plating to customer requirement (silver, tin, gold, etc.)
- Dissipation constant:** 0.85 mW/°C in still air at 25 °C [77 °F]
- Time constant:** 1 s in liquids, 12 s max. in still air
- Resistance range at 25 °C [77 °F]** 2.5 kOhm at 20 °C [68 °F] ±5 %

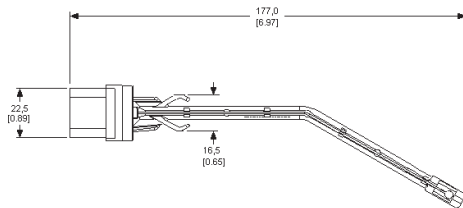


SERIES NAME
ES110 Inlet Air Temperature Sensor Probe

Air Conditioning Temperature Sensor Probes

A fully overmolded and protected sensor incorporating a specially developed NTC (Negative Temperature Coefficient) to withstand many very aggressive, damp operating conditions. The housing is snap fit promoting easy assembly.

Operating temperature range: -30 °C to 100 °C [-22 °F to 212 °F]
Encapsulation: Special NTC epoxy coating
Lead material: Terminals are 2,8 mm x 0,8 mm [0.11 in x 0.03 in] brass with a copper flash protection layer with final plating to customer requirement (silver, tin, gold, etc.)
Dissipation constant: 2.5 mW/°C in still air
Time constant: 2 s in water, 15 s max. in still air
Resistance range at 25 °C [77 °F]: 9 kOhm at 0 °C [32 °F] ±1.5 %



NAME
Air Conditioning Temperature Sensor Probe

Earth Return (Ground) Temperature Sensor Probes

An all-metal temperature sensor, with the body being the ground, incorporating a flat disc thermistor held flush on the base of the body by a spring-loaded pressure pad. This sensor provides a quick response to small variations in high temperature changes.

Operating temperature range: -40 °C to 155 °C [-40 °F to 311 °F]
Encapsulation: NTC (negative temperature coefficient) encapsulated in a silicone paste
Lead material: Standard Lucar type or other variations
Dissipation constant: 3 mW/°C in still air
Time constant: 10 s in automotive coolant
Resistance range at 25 °C [77 °F]: Per customer requirements



NAME
Earth Return (Ground) Temperature Sensor Probe

Refrigerant Temperature Sensor Probes

A fully sealed, quick response temperature sensor suitable for use in many HVAC systems.

Operating temperature range: -40 °C to 140 °C [-40 °F to 284 °F]
Encapsulation: NTC (Negative Temperature Coefficient) encapsulated in a thermal heat paste
Lead material: Terminals are 1,5 mm x 0,6 mm [0.06 in x 0.02 in] brass with a copper flash protection layer with final plating to customer requirement (silver, tin, gold, etc.)
Dissipation constant: Tor values (time to reach 63.2 % of the difference between two temperatures) are typically 10 s rising temperature and 6 s falling temperature
Time constant: None
Resistance range at 25 °C [77 °F]: 2.5 kOhm at 20 °C [68 °F], calibrated at ±3 % at 100 °C [212 °F]



NAME
Refrigerant Temperature Sensor Probe

Surface Temperature Sensor Probes

Sensor assembly is designed to have good heat conductivity between the thermistor element and the area to be monitored. Time response is consistent with the thermal conductivity of the surface being measured. Multiple configurations allow sensor to be mounted, bolted, riveted or attached adhesively.

Operating temperature range: -60 °C to 150 °C [-76 °F to 302 °F]
Encapsulation: Thermally conductive epoxy used to pot discrete component into surface-style housing
Lead material: Insulated lead wires and terminals when required, other options available
Dissipation constant: 3.3 mW/°C to 12 mW/°C (varies with size and housing style)
Time constant: 1 s to 40 s (application dependent)
Resistance range at 25 °C [77 °F]: Per customer requirements



NAME
Surface Temperature Sensor Probe

Air/Gas Temperature Sensor Probes

Air/Gas probes contain an exposed thermistor element because gas is not as good a heat conductor or thermal sink as a liquid, and because time response is normally an important consideration. The sensor housing may be composed of plastic or other thermally conductive materials to reduce conduction and heat from the gas circulating around the thermistor. Multiple configurations allow easy mounting.

Operating temperature range:	-60 °C to 150 °C [-76 °F to 302 °F]
Encapsulation:	None, sensing element is exposed
Lead material:	Insulated lead wires and terminals when required, other options available
Dissipation constant:	0.1 mW/°C to 3 mW/°C (design specific)
Time constant:	4 s to 150 s (application and design dependent)
Resistance range at 25 °C [77 °F]:	Per customer requirements



NAME
Air/Gas Temperature Sensor Probe

Immersion Temperature Sensor Probes

Custom designed and application specific, immersion probes are designed to be directly placed in the liquid medium to be measured. A large variety of housing alloys are available. Multiple configurations allow easy mounting.

Operating temperature range:	-60 °C to 300 °C [-76 °F to 572 °F]
Encapsulation:	NTC (Negative Temperature Coefficient) encapsulated in housing appropriate to the application
Lead material:	Insulated lead wires and terminals when required, other options available
Dissipation constant:	5 mW/°C to 10 mW/°C (varies with size and housing style)
Time constant:	1 s to 12 s (design dependent)
Resistance range at 25 °C [77 °F]:	Per customer requirements



NAME
Immersion Temperature Sensor Probe

Thermal Cutoffs



Thermal Cutoffs include products for use in a wide array of small appliances, major appliances, office copy machines, automotive and HVAC equipment. These devices are available in various lead lengths and configurations. Honeywell offers versions that are compliant with European Directive 2002/95/EC, otherwise known as RoHS (Restriction of Hazardous Substances), in electrical and electronic equipment.

NOTE: The products in this section do not follow the "how to use this catalogue" instructions provided in the catalogue introduction. Specific reference numbers are not given due to their custom nature. Please contact your local Honeywell sales office for ordering information.

NOTICE

- To maximize product life, use a 30 °C [86 °F] min. differential between the operating ambient temperature at the fuse location and the specified functioning temperature of the fuse being used. Maintain a 40 °C [104 °F] min. differential between devices with functioning temperatures above 200 °C [392 °F].
- Under no condition should the thermal cutoff be exposed to a continuous normal temperature rating in excess of 200 °C [392 °F]. Only proper testing of the above will determine the selected thermal cutoff's suitability within the application.

D Series

The D Series responds to temperature by interrupting an electrical circuit when the operating and/or environmental temperature exceeds the thermal rating of the fuse. This is accomplished when the organic pellet experiences a phase change, allowing the spring activated contacts to permanently open the circuit.

Operating temperature range: 72 °C to 240 °C [162 °F to 464 °F]
Environmental exposure range: see notice



NAME
DXXX-002



NAME
DXXX-001



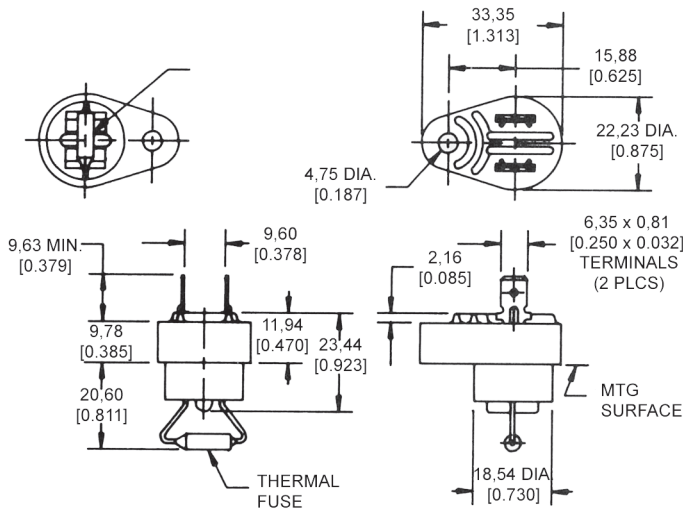
NAME
DXXX-003

RD Series

The RD Series responds to temperature by interrupting an electrical circuit when the operating and/or environmental temperature exceeds the thermal rating of the fuse. This is accomplished when the organic pellet experiences a phase change, allowing the spring activated contacts to permanently open the circuit.

The electrical resistance of an RD Series thermal cutoff is comparable to that found in an equal length of 18 gage solid copper wire. With proper heat flow, heat generation below 15 A is minimal. Above 15 A, the upper limit on current capacity will depend on the environment for each specification.

Operating temperature range: 72 °C to 240 °C [162 °F to 464 °F]
Environmental exposure range: see notice on previous page



NAME
RDXXX-001



NAME
RDXXX-002

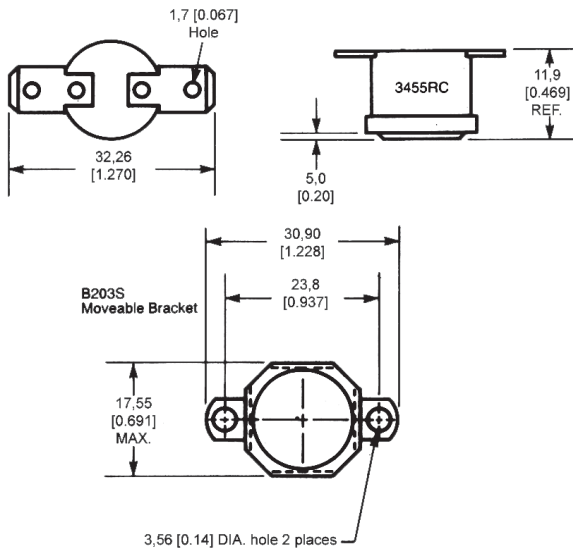
Thermostats - Redi-Temp®



3455RC 15 A High Temperature Universal Thermostat Series

Shipped from stock, the 3455RC Series thermostats are often suitable for applications such as copy machines, power supplies, telecommunications and ovens. UL, CSA and European approval agencies listings available.

Electrical rating: 15 A resistive max., 120 Vac
Housing material: High density ceramic base
Operating temperature range: 0 °C to 150 °C [32 °F to 302 °F]
Environmental exposure range: -18 °C to 288 °C [0 °F to 550 °F]



Redi-Temp® is a line of standard thermostat products offered in a range of pre-set temperatures. These products are available standard for immediate delivery. They are often useful for low-volume applications where standard configurations are acceptable, as well as for evaluating new designs and prototypes.

Open on rise

OPEN/CLOSE °F	OPEN/CLOSE °C	REFERENCE
65 ±5/30 ±8	18 ±3/-1 ±5	3455RC-100-220
75 ±5/40 ±8	24 ±3/4 ±5	3455RC-100-221
85 ±5/55 ±8	29 ±3/13 ±5	3455RC-100-222
95 ±5/65 ±8	35 ±3/18 ±5	3455RC-100-223
105 ±5/75 ±8	41 ±3/24 ±5	3455RC-100-224
115 ±5/85 ±8	46 ±3/29 ±5	3455RC-100-225
125 ±5/95 ±8	52 ±3/35 ±5	3455RC-100-226
135 ±5/105 ±8	57 ±3/41 ±5	3455RC-100-227
145 ±5/115 ±8	63 ±3/46 ±5	3455RC-100-228
155 ±5/125 ±8	68 ±3/52 ±5	3455RC-100-229
165 ±5/135 ±8	73 ±3/57 ±5	3455RC-100-230
175 ±5/145 ±8	79 ±3/63 ±5	3455RC-100-231
185 ±5/155 ±8	85 ±3/68 ±5	3455RC-100-232
195 ±5/165 ±8	91 ±3/73 ±5	3455RC-100-233
205 ±6/175 ±8	96 ±4/79 ±5	3455RC-100-234
215 ±6/185 ±8	102 ±4/85 ±5	3455RC-100-235
225 ±6/195 ±8	107 ±4/91 ±5	3455RC-100-236
235 ±6/205 ±8	113 ±4/96 ±5	3455RC-100-237
245 ±6/215 ±8	118 ±4/102 ±5	3455RC-100-238
255 ±7/225 ±8	124 ±4/107 ±5	3455RC-100-239
275 ±7/245 ±8	135 ±4/118 ±5	3455RC-100-240
295 ±7/265 ±8	146 ±4/129 ±5	3455RC-100-241
315 ±10/275 ±15	157 ±6/135 ±8	3455RC-100-242

Close on rise

CLOSE/OPEN °F	CLOSE/OPEN °C	REFERENCE
70 ±8/35 ±5	21 ±5/2 ±3	3455RC-100-243
90 ±8/60 ±5	32 ±5/16 ±3	3455RC-100-244
110 ±8/80 ±5	43 ±5/27 ±3	3455RC-100-245
130 ±8/100 ±5	54 ±5/38 ±3	3455RC-100-246
150 ±8/120 ±5	66 ±5/49 ±3	3455RC-100-247
170 ±8/140 ±5	77 ±5/60 ±3	3455RC-100-248
190 ±8/160 ±5	88 ±5/71 ±3	3455RC-100-249
210 ±8/180 ±5	99 ±5/82 ±4	3455RC-100-250
230 ±8/200 ±5	110 ±4/93 ±4	3455RC-100-251

3100 SPST Hermetic Thermostat Series

Shipped from stock, the 3100 Series thermostats are often suitable for applications such as computers, medical electronics, power supplies, industrial controls and test equipment. They feature a laser-welded hermetic seal, are pre-set and tamper-proof. UL listings available.

Electrical rating: 30 A resistive max., 120 Vac/240 Vac
Environmental exposure range: -62 °C to 288 °C [-80 °F to 550 °F]



Open on rise

OPEN/CLOSE °F	OPEN/CLOSE °C	REFERENCE
40 ±5/20 ±5	4 ±3/-7 ±3	3100U-3-1431
50 ±5/30 ±5	10 ±3/-1 ±3	3100U-3-1432
60 ±5/40 ±5	16 ±3/4 ±3	3100U-3-1433
70 ±5/50 ±5	21 ±3/10 ±3	3100U-3-1434
80 ±5/60 ±5	27 ±3/16 ±3	3100U-3-1435
90 ±5/70 ±5	32 ±3/21 ±3	3100U-3-1436
100 ±5/80 ±5	38 ±3/27 ±3	3100U-3-1437
110 ±5/90 ±5	43 ±3/32 ±3	3100U-3-1438
120 ±5/100 ±5	49 ±3/38 ±3	3100U-3-1439
130 ±5/110 ±5	54 ±3/43 ±3	3100U-3-1440
140 ±5/120 ±5	60 ±3/49 ±3	3100U-3-1441
150 ±5/130 ±5	66 ±3/54 ±3	3100U-3-1442
160 ±5/140 ±5	71 ±3/60 ±3	3100U-3-1443
170 ±5/150 ±5	77 ±3/66 ±3	3100U-3-1444
180 ±5/160 ±5	82 ±3/71 ±3	3100U-3-1445
190 ±5/170 ±5	88 ±3/77 ±3	3100U-3-1446
200 ±5/180 ±5	93 ±3/82 ±3	3100U-3-1447
210 ±8/185 ±6	99 ±5/85 ±4	3100U-3-1448
220 ±8/195 ±6	104 ±5/91 ±4	3100U-3-1449
230 ±8/205 ±6	110 ±5/96 ±4	3100U-3-1450
240 ±8/215 ±6	116 ±5/102 ±4	3100U-3-1451
250 ±8/225 ±6	121 ±5/107 ±4	3100U-3-1452

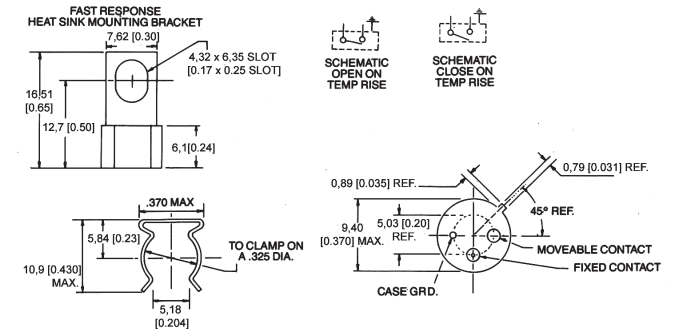
Close on rise

CLOSE/OPEN °F	CLOSE/OPEN °C	REFERENCE
40 ±5/20 ±5	4 ±3/-7 ±3	3100U-3-1453
50 ±5/30 ±5	10 ±3/-1 ±3	3100U-3-1454
60 ±5/40 ±5	16 ±3/4 ±3	3100U-3-1455
80 ±5/60 ±5	27 ±3/16 ±3	3100U-3-1456
100 ±5/80 ±5	38 ±3/27 ±3	3100U-3-1457
120 ±5/100 ±5	49 ±3/38 ±3	3100U-3-1458
140 ±5/120 ±5	60 ±3/49 ±3	3100U-3-1459
160 ±5/140 ±5	71 ±3/60 ±3	3100U-3-1460
180 ±5/160 ±5	82 ±3/71 ±3	3100U-3-1461
200 ±5/180 ±5	93 ±3/82 ±3	3100U-3-1462
220 ±6/195 ±8	104 ±4/91 ±5	3100U-3-1463

3600 Series Subminiature Thermostats TO-5 Package

Shipped from stock, the 3600 Series thermostats feature logic-level switching with gold contacts, have no power budget and are wave solderable with a hermetic seal. They are often suitable for applications such as power supplies, logic boards, telecommunications, medical electronics and robotics.

Electrical rating: 15 A resistive max., 120 Vac
Dielectric strength: 500 Vac, 60 Hz for 1 s
Operating temperature range: -40 °C to 100 °C [-40 °F to 212 °F]
Environmental exposure range: -50 °C to 177 °C [58 °F to 351 °F]



Open on rise

OPEN/CLOSE °C	MIN DIFF. °C	REFERENCE
40 ±5	2	3600040010001
45 ±5	2	3600045010001
50 ±5	2	3600050010001
55 ±5	5	3600055010001
60 ±5	5	3600060010001
65 ±5	5	3600065010001
70 ±5	5	3600070010001
75 ±5	5	3600075010001
80 ±5	5	3600080010001
85 ±5	7	3600085010001
90 ±5	7	3600090010001
95 ±5	7	3600095010001
100 ±5	7	3600100010001

Close on rise

OPEN/CLOSE °C	MIN DIFF. °C	REFERENCE
40 ±7	2	3601040010001
45 ±7	2	3601045010001
50 ±7	2	3601050010001
55 ±7	5	3601055010001
60 ±7	5	3601060010001
65 ±7	5	3601065010001
70 ±7	5	3601070010001
75 ±7	5	3601075010001
80 ±7	5	3601080010001
85 ±7	7	3601085010001
90 ±7	7	3601090010001
95 ±7	7	3601095010001
100 ±7	7	3601100010001

Thermostats - Commercial



Commercial thermostats include products for use in a wide array of small and major appliances, automotive applications, office copy machines, heat and smoke detectors and HVAC equipment. These snap-action thermostats include automatic or manual reset options, phenolic or ceramic housings, and a variety of mounting brackets and terminal options.

NOTE: The products in this section do not follow the "how to use this catalogue" instructions provided in the catalogue introduction. Specific reference numbers are not given due to their custom nature. Please contact your local Honeywell sales office for ordering information.

NOTICE

Limitations: Type 2455RM/2450CM is intended as a manual reset control. It is not to be used on applications where a limit thermostat is required unless backup protection is provided. Units have been tested by UL for 1,000 cycles under load, 5,000 cycles no load, and are not considered limit devices.

WARNING PERSONAL INJURY

Do not use the bi-metallic, snap action thermostat components as final safety devices in any application. Their intended use is to provide an electrical disruption in the application circuit in the event of a change in temperature conditions.

Failure to comply with these instructions could result in death or serious injury.

2450R/2450HR/2455R Series Phenolic Automatic Reset Thermostats

A temperature-sensitive bimetal disc, electrically isolated from the switch, actuates the normally closed contacts. The contacts open when the surface or ambient temperatures increase to the operating snap point of the calibrated disc. Response to temperature changes is extremely rapid due to the inherently low mass of the disc and the small size of the product. These products are factory calibrated to the customer's specification.

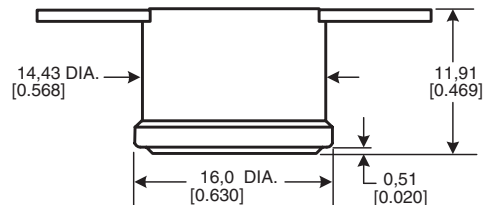
Reset type:	Automatic
Amperage capacity:	15 A resistive max.
Housing material:	Phenolic
Operating temperature range:	0 °C to 150 °C [32 °F to 302 °F]
Environmental exposure range:	0 °C to 150 °C [32 °F to 302 °F]



SERIES NAME
2450HR Phenolic Automatic Reset Thermostat



SERIES NAME
2450R Phenolic Automatic Reset Thermostat



SERIES NAME
2455R Phenolic Automatic Reset Thermostat

2450RC/2450RCH/2455RC Series Ceramic Automatic Reset Thermostats

A temperature-sensitive bimetal disc, electrically isolated from the switch, actuates the normally closed contacts. The contacts open when the surface or ambient temperatures increase to the operating snap point of the calibrated disc. Response to temperature changes is extremely rapid due to the inherently low mass of the disc and the small size of the product.

Reset type:	Automatic
Amperage capacity:	15 A resistive max.
Housing material:	Ceramic
Operating temperature range:	0 °C to 260 °C [32 °F to 500 °F]
Environmental exposure range:	-20 °C to 287 °C [0 °F to 550 °F]



SERIES NAME
2450RC Ceramic Automatic Reset Thermostat

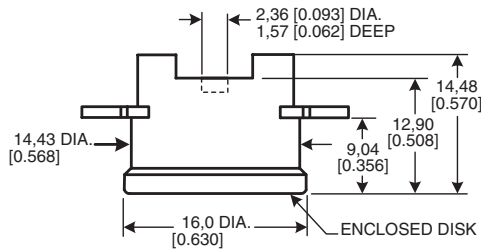
2450CM/2455RM Series Ceramic and Phenolic Manual Reset Thermostats

A temperature-sensitive bimetal disc, electrically isolated from the switch, actuates the normally closed contacts. The contacts open when the surface or ambient temperatures increase to the operating snap point of the calibrated disc. The circuit will stay open above room ambient temperature until the manual reset button is pressed. Response to temperature changes is extremely rapid due to the inherently low mass of the disc and the small size of the product.

Reset type:	Manual
Amperage capacity:	15 A resistive max.
Housing material:	Ceramic or phenolic
Operating temperature range:	52 °C to 232 °C [125 °F to 450 °F] (ceramic) 52 °C to 150 °C [125 °F to 302 °F] (phenolic)
Environmental exposure range:	10 °C to 260 °C [50 °F to 500 °F] (ceramic) 10 °C to 150 °C [50 °F to 302 °F] (phenolic)



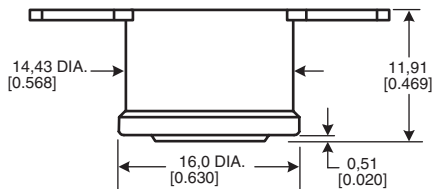
SERIES NAME
2450CM Ceramic Manual Reset Thermostat



SERIES NAME
2450RCH Ceramic Automatic Reset Thermostat



SERIES NAME
2455RM Phenolic Manual Reset Thermostat



SERIES NAME
2455RC Ceramic Automatic Reset Thermostat

2450A/2455RA Series Heat Detection Thermostats

The gold contacts open or close on a temperature rise of 47 °C to 107 °C [117 °F to 225 °F].

Reset type: Automatic
Amperage capacity: 15 A resistive max.
Housing material: Phenolic, epoxy-sealed cap and terminals
Operating temperature range: 47 °C to 107 °C [117 °F to 225 °F]
Environmental exposure range: 0 °C to 150 °C [32 °F to 302 °F]



SERIES NAME
2450A Heat Detection Thermostat



SERIES NAME
2455A Heat Detection Thermostat

2455RBV Series Overmolded Automatic Reset Thermostats

A temperature-sensitive bimetal disc, electrically isolated from the switch, actuates the normally closed contacts. The contacts open when the surface or ambient temperatures increase to the operating snap point of the calibrated disc. Response to temperature changes is extremely rapid due to the inherently low mass of the disc and the small size of the product.

Reset type: Automatic
Amperage capacity: 15 A resistive max.
Housing material: Ceramic or phenolic, epoxy overmold
Operating temperature range: -12 °C to 105 °C [10 °F to 221 °F]
Environmental exposure range: -18 °C to 121 °C [0 °F to 250 °F]



SERIES NAME
2455RBV Overmolded Automatic Reset Thermostat

2450R/2450RCH/2455R/2455RCH/2467RC/2467RCH Series "One-shot" ½ in Thermostats

Products are designed for high limit applications where automatic reset is not desired.

Reset type: None
Amperage capacity: 15 A resistive max.
 21 A resistive max. (2467RC/2467RCH Series)
Housing material: ceramic or phenolic, with or without epoxy-sealed cap and terminal
Operating temperature range: 52 °C to 260 °C [125 °F to 500 °F] (ceramic)
 52 °C to 250 °C [125 °F to 500 °F] (ceramic) (2467RC Series)
 52 °C to 150 °C [125 °F to 302 °F] (phenolic)
Environmental exposure range: -18 °C to 316 °C [0 °F to 600 °F] (ceramic)
 -18 °C to 150 °C [0 °F to 302 °F] (phenolic)



SERIES NAME
2450R Phenolic "One-shot" ½ in Thermostat



SERIES NAME
2450RCH Ceramic "One-shot" ½ in Thermostat
2467RCH Ceramic "One-shot" ½ in Thermostat



SERIES NAME
2455R Phenolic "One-shot" ½ in Thermostat

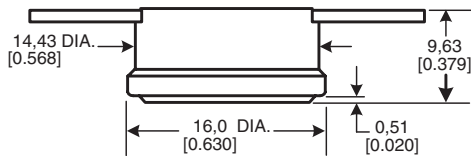


SERIES NAME
2455RC Ceramic "One-shot" ½ in Thermostat
2467RC Ceramic "One-shot" ½ in Thermostat

2450R Series Annular Ring Cap Automatic Reset Thermostats

A temperature-sensitive bimetal disc, electrically isolated from the switch, actuates the normally closed contacts. The contacts open when the surface or ambient temperatures increase to the operating snap point of the calibrated disc. Response to temperature changes is extremely rapid due to the inherently low mass of the disc and the small size of the product.

Reset type:	Automatic
Amperage capacity:	15 A resistive, 12 Vdc
Housing material:	Phenolic, can be partially or totally sealed against water ingress
Operating temperature range:	-10 °C to 55 °C [14 °F to 131 °F]
Environmental exposure range:	-40 °C to 130 °C [-40 °F to 266 °F]
Life cycle capability:	300 K at 12 Vdc, 10 A
Low temperature differential:	Down to 8 °C [46 °F]
Switch temperature tolerance:	±3 °C



SERIES NAME
2450R Phenolic Annular Ring Cap Automatic Reset Thermostat

2450R/2455R Series Protected Thermostats

A temperature-sensitive bimetal disc, electrically isolated from the switch, actuates the normally closed contacts. The contacts open when the surface or ambient temperatures increase to the operating snap point of the calibrated disc. Basic thermostat is protected from the environment by sealing it in a metal housing or encapsulating it in epoxy.

Reset type:	Automatic
Amperage capacity:	15 A resistive, 12 Vdc
Housing material:	Brass, aluminium, stainless steel and epoxy
Operating temperature range:	15 °C to 130 °C [59 °F to 266 °F]
Environmental exposure range:	-40 °C to 155 °C [-40 °F to 311 °F]

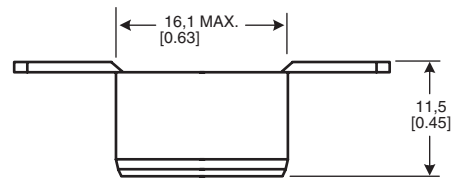


SERIES NAME
2450R Protected Thermostat
2455R Protected Thermostat

2450R Series Fully Sealed Thermostats

A temperature-sensitive bimetal disc, electrically isolated from the switch, actuates the normally closed contacts. The contacts open when the surface or ambient temperatures increase to the operating snap point of the calibrated disc. Response to temperature changes is extremely rapid due to the inherently low mass of the disc and the small size of the product.

Reset type:	Automatic
Amperage capacity:	15 A resistive, 12 Vdc
Housing material:	Phenolic housing, aluminium cap totally encapsulated in water-resistant epoxy
Operating temperature range:	-10 °C to 55 °C [14 °F to 131 °F]
Environmental exposure range:	-40 °C to 130 °C [-40 °F to 266 °F]
Life cycle capability:	300 K at 12 Vdc, 10 A
Low temperature differential:	Down to 8 °C [46 °F]
Switch temperature tolerance:	±3 °C



SERIES NAME
2450R Fully Sealed Thermostat

Standard Terminal Guide

Horizontal Solder



Vertical Solder Inside



Vertical Solder Outside



1/4 in Quick Connect, Horizontal



1/4 in Quick Connect, Vertical



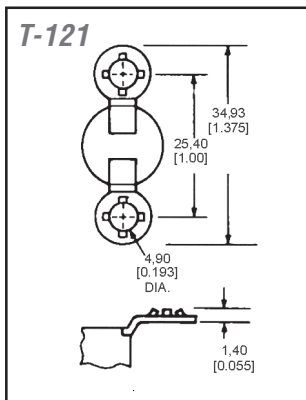
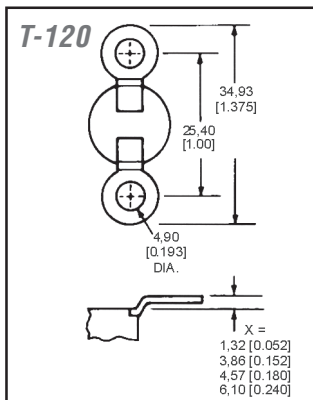
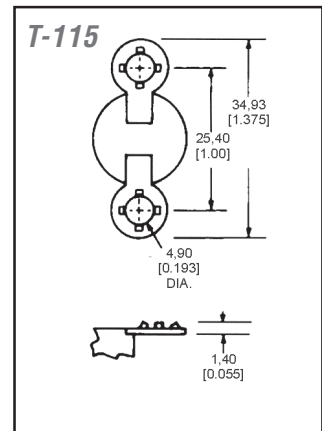
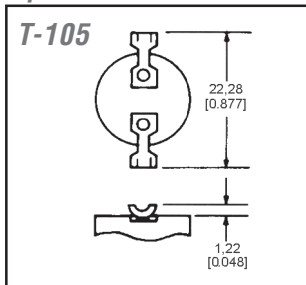
3/16 in Quick Connect, Flat



3/16 in Quick Connect Vertical



Special Terminals



Specify Crimp Direction Up or Down

Standard Terminal Guide (continued)

Horizontal Weld Tab



1/4 in Quick Connect, 45°



3/16 in Quick Connect, 45°



Spade Terminal



Standard Mounting Bracket Guide

Stationary Surface Brackets

B-201/B-201A/B-201B



Moveable Surface Brackets

B-203/B-203A/B-203B



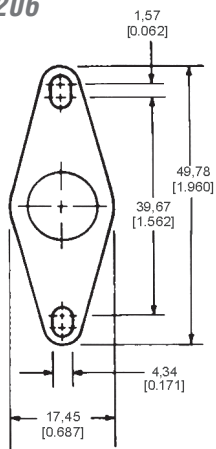
Air Stream Brackets

B205/B205A



Special Mounting Brackets

B-206



B-207



B-209



B-210



B-212/B-212A



B-213



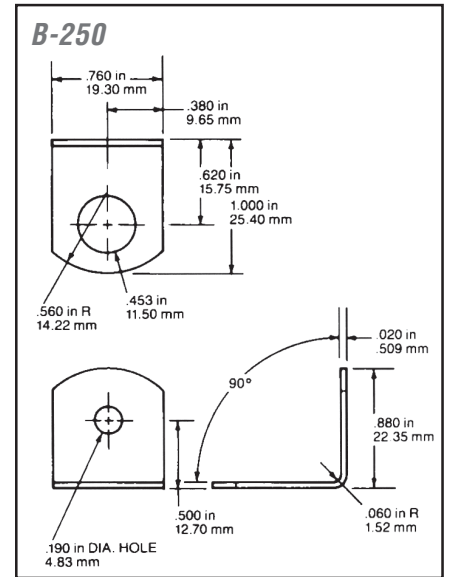
B-230



B-239



Standard Mounting Bracket Guide (continued)



Mounting Studs

Brass Hex Stud Mount



Bracket/Terminal Orientation (Intermediate angles available on specific request.)



Thermostats - Precision



Precision snap-action thermostats include both hermetic and non-hermetic devices for use in a wide array of applications including computers, copy machines, aircraft, radar equipment, medical equipment and electronic control systems. We also offer custom-packaged thermostats for application flexibility and industrial-grade thermostats designed to operate in extreme environmental conditions.

NOTE: The products in this section do not follow the "how to use this catalogue" instructions provided in the catalogue introduction. Specific reference numbers are not given due to their custom nature. Please contact your local Honeywell sales office for ordering information.

NOTICE

Limitations: Type 3455RM/3450CM is intended as a manual reset control. It is not to be used on applications where a limit thermostat is required unless backup protection is provided. Units have been tested by UL for 1,000 cycles under load, 5,000 cycles no load, and are not considered limit devices.

⚠ WARNING PERSONAL INJURY

Do not use the bi-metallic, snap action thermostat components as final safety devices in any application. Their intended use is to provide an electrical disruption in the application circuit in the event of a change in temperature conditions.

Failure to comply with these instructions could result in death or serious injury.

3001/3004 Series Non-Hermetic Thermostats

The 3001/3004 Series are factory pre-set, single pole, single throw thermal switches available to open and close on temperature rise. The phenolic base is made dust-proof by a metal closure which also provides thermal and electrical isolation for the silver contacts. The low silhouette design of the 3001 Series makes it an excellent choice where a non-hermetic precision unit is required for tight tolerances. The 3004 Series offers a metal sleeve insert-rivet construction and higher spacing to meet European approval agency requirements. It is also UL recognized and CSA certified.

- Amperage:** 1 A to 3 A (3001, 3001U Series)* 2 A to 4 A (3004 Series)*
 - Housing material:** Phenolic base with metal closure
 - Operating temperature range:** -18 °C to 168 °C [0 °F to 335 °F]
 - Environmental exposure range:** -18 °C to 177 °C [0 °F to 350 °F]
 - Dielectric strength:** MIL-STD-202, Method 301
1500 Vac 60 Hz terminal to case (2000 Vac 3004)
 - Insulation resistance:** MIL-STD-202, Method 302, Cond. B
500 MOhm, 500 Vdc applied
 - Contact resistance:** MIL-STD-202, Method 307, 50 mOhm
 - Hermetic seal:** MIL-STD-202, Method 112, Cond. A, 1x10⁻⁵ atm cc/s
 - Moisture resistance:** MIL-STD-202, Method 106
- *Based on 240 Vac and life-cycle dependent. Call for further details.



SERIES NAME

- 3001 Series Non-Hermetic Thermostat
- 3001U Series Non-Hermetic Thermostat
- 3004 Series Non-Hermetic Thermostat

3100/3106 Series Hermetic Thermostats

The 3100/3106 Series is a single pole, single throw switch activated by a snap-action bimetal disc. Temperature calibrations are pre-set at the factory and each unit is 100 % thermally and mechanically inspected. It is available to open or close on temperature rise. The case is laser welded to form a hermetically-sealed steel housing with a glass-to-metal seal at the terminal junction. It is manufactured and tested to meet or exceed critical commercial and industrial specifications. The 3106 Series has gold alloy contacts for low voltage applications.

Amperage:	0.5 A resistive (3106 Series) 7 A resistive (3100 Series)
Housing material:	Steel housing with glass-to-metal seal at terminal junction
Operating temperature range:	-29 °C to 260 °C [-20 °F to 500 °F] (3100 Series) -29 °C to 204 °C [-20 °F to 400 °F] (3106 Series)
Environmental exposure range:	-62 °C to 288 °C [-80 °F to 550 °F]
Dielectric strength:	MIL-STD-202, Method 301 1250 Vac 60 Hz terminal to case (3100, 3100U, 3106 Series) 1500 Vac 60 Hz terminal to case (3100UX Series)
Insulation resistance:	MIL-STD-202, Method 302, Cond. B 50 MOhm, 500 Vdc applied
Contact resistance:	MIL-STD-202, Method 307 25 mOhm (3106 Series) 50 mOhm (3100 Series)
Hermetic seal:	MIL-STD-202, Method 112, Cond. A 1x10 ⁻⁵ atm cc/s
Moisture resistance:	MIL-STD-202, Method 106



- SERIES NAME**
 3100 Hermetic Thermostat
 3100U Hermetic Thermostat
 3100UX Hermetic Thermostat
 3106 Hermetic Thermostat

3150/3156 Series Low Silhouette Hermetic Thermostats

The 3150/3156 Series is a single pole, single throw switch activated by a snap-action bimetal disc. Temperature calibrations are pre-set at the factory and each unit is 100 % thermally and mechanically inspected. It is available to open or close on temperature rise. The case is laser welded to form a hermetically-sealed steel housing with a glass-to-metal seal at the terminal junction. The low silhouette and compact design often make it especially well suited for applications that require miniaturization. The 3156 Series has gold alloy contacts for low voltage applications.

Amperage:	0.5 A resistive (3156 Series) 7 A resistive (3150 Series)
Housing material:	Steel housing with glass-to-metal seal at terminal junction
Operating temperature range:	-29 °C to 177 °C [-20 °F to 350 °F]
Environmental exposure range:	-62 °C to 260 °C [-80 °F to 500 °F]
Dielectric strength:	MIL-STD-202, Method 301 750 Vac 60 Hz terminal to case (3150, 3156 Series) 1250 Vac 60 Hz terminal to case (3150U, 3156U Series) 1500 Vac 60 Hz terminal to case (3150UX Series)
Insulation resistance:	MIL-STD-202, Method 302, Cond. B 50 MOhm, 500 Vdc applied
Contact resistance:	MIL-STD-202, Method 307 25 mOhm (3156 Series) 50 mOhm (3150 Series)
Hermetic seal:	MIL-STD-202, Method 112, Cond. A 1x10 ⁻⁵ atm cc/s
Moisture resistance:	MIL-STD-202, Method 106



- SERIES NAME**
 3150 Low Silhouette Hermetic Thermostat
 3150U Low Silhouette Hermetic Thermostat
 3150UX Low Silhouette Hermetic Thermostat
 3156 Low Silhouette Hermetic Thermostat
 3156U Low Silhouette Hermetic Thermostat

3600/3601 Series TO-5 Thermal Switches

The 3600/3601 Series is a single pole, single throw, bimetal snap-action switch available to open or close on temperature rise. These devices are specifically designed and often suited for mounting on products such as printed circuit boards to protect against hazardous temperatures associated with the thermal density of components on backplanes, flexible circuitry and sophisticated time-based circuits.

Amperage:	1 A resistive
Housing material:	nickel
Operating temperature range:	40 °C to 120 °C [104 °F to 248 °F]
Environmental exposure range:	-50 °C to 150 °C [-58 °F to 302 °F]
Dielectric strength:	500 Vac 60 Hz for one second, terminal to case
Insulation resistance:	20 MOhm at 500 Vdc
Contact resistance:	60 MOhm
Hermetic seal:	1x10 ⁻³ atm cc/s



SERIES NAME

3600 Series TO-5 Thermal Switch
 3601 Series TO-5 Thermal Switch

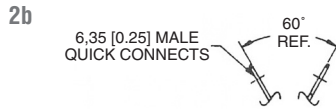
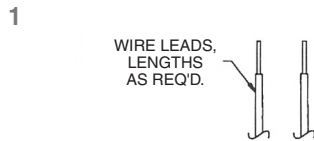
3000 Series Custom-packaged Thermostats

The 3000 Series incorporates a Honeywell thermostat assembled in a custom package for use in a variety of applications that require flexibility in mounting and terminal configurations. A typical product includes a 3100 hermetic internal thermostat with a terminal selection, housing selection and customized part number. These custom package devices operate in many extreme environmental conditions, such as exposure to hazardous substances, dust particles and liquid immersion.

Amperage: 7 A resistive
Housing material: Stainless steel or brass
Operating temperature range: -29 °C to 260 °C [-20 °F to 500 °F]
Environmental exposure range: -62 °C to 288 °C [-80 °F to 550 °F]
Dielectric strength: MIL-STD-202, Method 301
 1250 Vac 60 Hz terminal to case

Insulation resistance: MIL-STD-202, Method 302
 50 MOhm to 500 MOhm
Contact resistance: MIL-STD-202, Method 307
 50 mOhm max.
Hermetic seal: MIL-STD-202, Method 112, Condition A
 1 x 10⁻⁵ atm cc/s
Moisture resistance: MIL-STD-202 Method 106

Terminations for 3000-45X* and 3000-55X* Housings



Housings

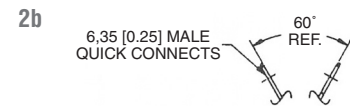
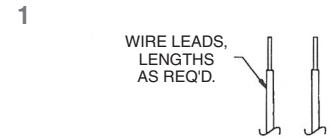
3000-45X*



3000-55X*



Terminations for 3000-53X* and 3000-141 Housings



Housings

3000-53X*



3000-141



SERIES NAME
 3000 Custom-packaged Thermostat

3800 Series Industrial-grade Thermostats for Severe Duty Applications

The 3800 Series is often used where high levels of vibration and mechanical shock are common but a military device is not required. It is easily customized for use in a variety of applications.

Amperage:	7 A resistive
Housing material:	Steel housing with glass-to-metal seal at terminal junction
Operating temperature range:	-29 °C to 260 °C [-20 °F to 500 °F]
Environmental exposure range:	-62 °C to 260 °C [-80 °F to 500 °F]
Dielectric strength:	MIL-STD-202, Method 301 1250 Vac terminal to case
Insulation resistance:	MIL-STD-202, Method 302, Cond. B 50 MOhm min. terminal to case
Contact resistance:	MIL-STD-202, Method 307 50 mOhm max.
Hermetic seal:	MIL-STD-202, Method 112, Cond. A 1 x 10 ⁻⁵ atm cc/s
Moisture resistance:	MIL-STD-202, Method 106
Vibration (random):	MIL-STD-202, Method 214 30 g, 20 Hz to 2,000 Hz
Vibration (sinusoidal):	MIL-STD-202, Method 204, Condition D 20 G, 20 Hz to 2,000 Hz
Mechanical shock:	MIL-STD-202, Method 213, 400 G
Thermal shock:	MIL-STD-202, Method 107, Cond. B
Acceleration:	MIL-STD-202, Method 212, 20 G

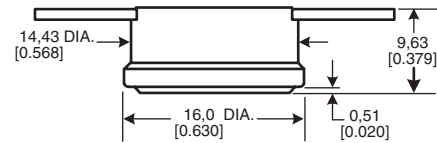


SERIES NAME
3800 Industrial Grade Thermostat

3450R/3450HR/3455R Series Phenolic Automatic Reset Thermostats

A temperature-sensitive bimetal disc, electrically isolated from the switch, actuates the normally closed contacts. The contacts open when the surface or ambient temperatures increase to the operating snap point of the calibrated disc. Response to temperature changes is extremely rapid due to the inherently low mass of the disc and the small size of the product. These products are factory calibrated to the customer's specification.

Reset type:	Automatic
Amperage capacity:	15 A resistive max.
Housing material:	Phenolic
Operating temperature range:	0 °C to 150 °C [32 °F to 302 °F]
Environmental exposure range:	0 °C to 150 °C [32 °F to 302 °F]



SERIES NAME
3450R Phenolic Automatic Reset Thermostat



SERIES NAME
3450HR Phenolic Automatic Reset Thermostat

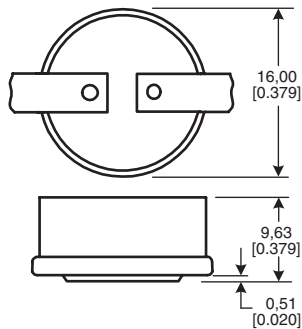


SERIES NAME
3455R Phenolic Automatic Reset Thermostat

3450RC/3450RCH/3455RC Series Ceramic Automatic Reset Thermostats

A temperature-sensitive bimetal disc, electrically isolated from the switch, actuates the normally closed contacts. The contacts open when the surface or ambient temperatures increase to the operating snap point of the calibrated disc. Response to temperature changes is extremely rapid due to the inherently low mass of the disc and the small size of the product.

Reset type:	Automatic
Amperage capacity:	15 A resistive max.
Housing material:	Ceramic
Operating temperature range:	0 °C to 260 °C [32 °F to 500 °F]
Environmental exposure range:	-20 °C to 287 °C [0 °F to 550 °F]



SERIES NAME
3450RC Ceramic Automatic Reset Thermostat



SERIES NAME
3450RCH Ceramic Automatic Reset Thermostat



SERIES NAME
3455RC Ceramic Automatic Reset Thermostat

3450CM/3455RM Series Ceramic and Phenolic Manual Reset Thermostats

A temperature-sensitive bimetal disc, electrically isolated from the switch, actuates the normally closed contacts. The contacts open when the surface or ambient temperatures increase to the operating snap point of the calibrated disc. The circuit will stay open above room ambient temperature until the manual reset button is pressed. Response to temperature changes is extremely rapid due to the inherently low mass of the disc and the small size of the product.

Reset type:	Manual
Amperage capacity:	15 A resistive max.
Housing material:	Ceramic or phenolic
Operating temperature range:	52 °C to 232 °C [125 °F to 450 °F] (ceramic) 52 °C to 150 °C [125 °F to 302 °F] (phenolic)
Environmental exposure range:	10 °C to 260 °C [50 °F to 500 °F] (ceramic) 10 °C to 150 °C [50 °F to 302 °F] (phenolic)



SERIES NAME
3450CM Ceramic Manual Reset Thermostat



SERIES NAME
3455RM Phenolic Manual Reset Thermostat

3455RBV Series Overmolded Automatic Reset Thermostats

A temperature-sensitive bimetal disc, electrically isolated from the switch, actuates the normally closed contacts. The contacts open when the surface or ambient temperatures increase to the operating snap point of the calibrated disc. Response to temperature changes is extremely rapid due to the inherently low mass of the disc and the small size of the product.

Reset type:	Automatic
Amperage capacity:	15 A resistive max.
Housing material:	Ceramic or phenolic, epoxy overmold
Operating temperature range:	-12 °C to 105 °C [10 °F to 221 °F]
Environmental exposure range:	-18 °C to 121 °C [0 °F to 250 °F]



SERIES NAME
3455RBV Overmolded Automatic Reset Thermostat

3450R/3450RC/3450RCH/3455R/3455RC Series "One-shot" 1/2 in Thermostats

Products are designed for high limit applications where automatic reset is not desired.

Reset type:	None
Amperage capacity:	15 A resistive max.
Housing material:	Ceramic or phenolic, with or without epoxy-sealed cap and terminals
Operating temperature range:	52 °C to 260 °C [125 °F to 500 °F] (ceramic) 52 °C to 150 °C [125 °F to 302 °F] (phenolic)
Environmental exposure range:	-18 °C to 287 °C [0 °F to 550 °F] (ceramic) -18 °C to 150 °C [0 °F to 302 °F] (phenolic)



SERIES NAME
3450R Phenolic "One-shot" 1/2 in Thermostat



SERIES NAME
3450RC Ceramic "One-shot" 1/2 in Thermostat



SERIES NAME
3450RCH Ceramic "One-shot" 1/2 in Thermostat

3450R/3450RC/3450RCH/3455R/3455RC
Series “One-shot” ½ in Thermostats
(continued)



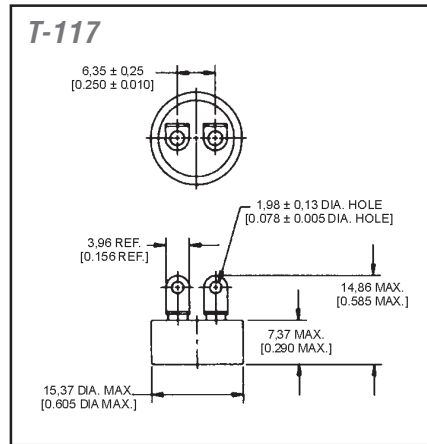
SERIES NAME
3455R Phenolic “One-shot” ½ in Thermostat



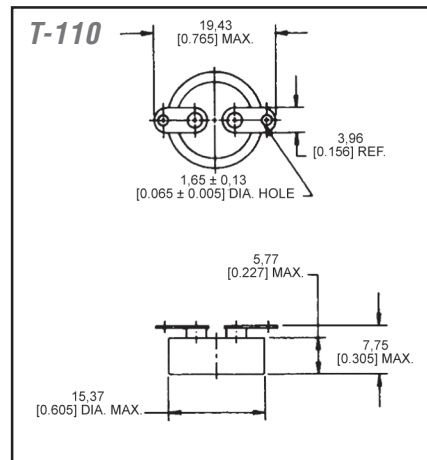
SERIES NAME
3455RC Ceramic “One-shot” ½ in Thermostat

Standard Terminal Guide: Hermetic Thermostats Only

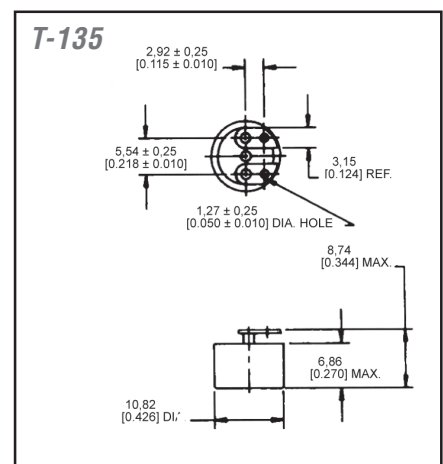
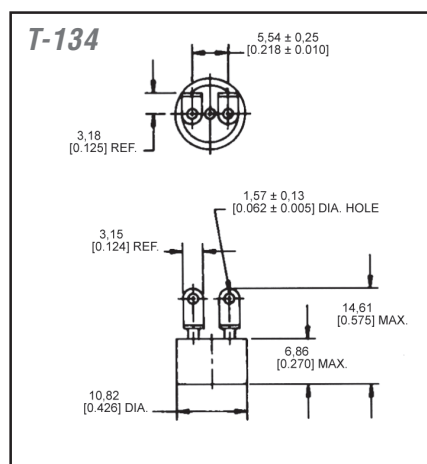
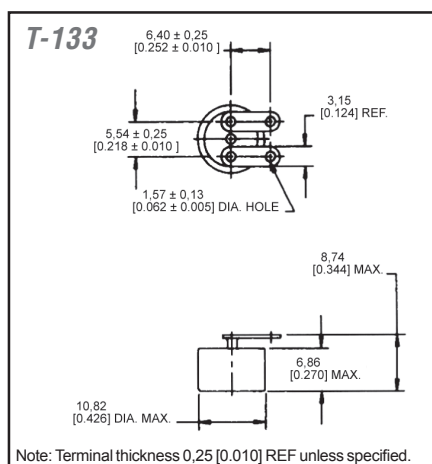
3100/3106 Series



3150/3156 Series



3305/3306 Series



Standard Terminal Guide: Hermetic Thermostats Only (continued)

*Hermetic Radius Cap
(Except 3305/3306 Series)*



*Terminal/Radius Cap Orientation
Parallel Terminals*



*Terminal/Radius Cap Orientation
Opposed Terminals*



Standard Mounting Bracket Guide: Hermetic Thermostats Only

3100/3106/3150/3156/3305/3306 Series



*Top Mounted (Excluding 3150/
3156/3305 Series)*



Standard Mounting Bracket Guide: Hermetic Thermostats Only (continued)

Top or Bottom Mounted



3305 Series Only



Top Mounted (Excluding 3150/3156/3305 Series)



**Hermetic Studs/Hex. Studs
(Excluding Series 3305/3306)
Studs**



3305/3306 Studs



Standard Mounting Bracket Guide: Hermetic Thermostats Only (continued)

Hermetic Overmolds (Silicone or Epoxy)



Terminal/Bracket Orientations



Standard Terminal Guide: Non-Hermetic Thermostats Only

3001 Series



Note: Terminal thickness 0,51 [0.020] REF unless specified.

Standard Terminal Guide: Non-Hermetic Thermostats Only (continued)

3004 Series



Note: Terminal thickness 0.51 [0.020] REF unless specified.

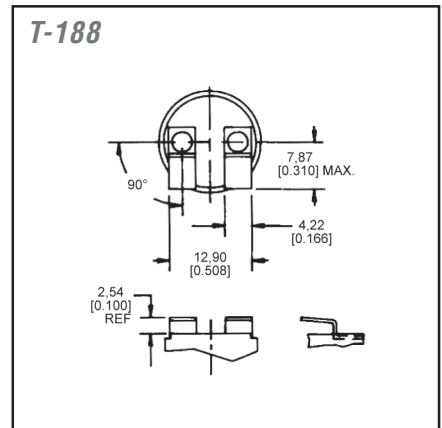
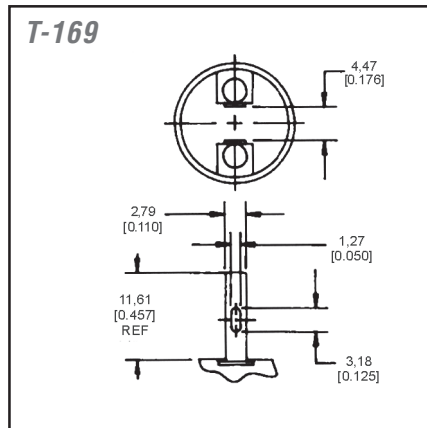
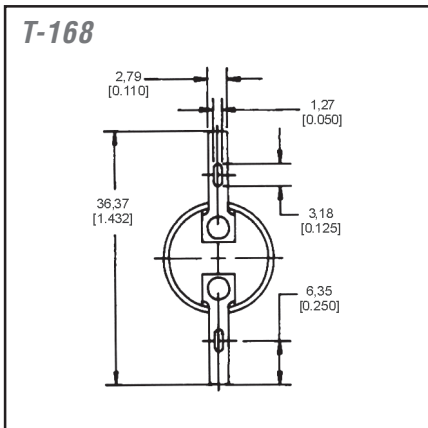
Standard Mounting Bracket Guide: Non-Hermetic Thermostats Only (continued)

Series 3450/3455R/3455RBV/3450C/3455RC/3455RM/3450CM



Standard Mounting Bracket Guide: Non-Hermetic Thermostats Only (continued)

Standard Terminals - Series 3450/3455R/3455RBV/3450C/3455RC/3455RM/3450CM



Standard Mounting Bracket Guide: Non-Hermetic Thermostats Only (continued)

Standard Mounting Brackets and Studs - Series 3001/3004 Only



Non-Hermetic Studs/Hex. Studs



Non-Hermetic Radius Caps



Standard Mounting Bracket Guide: Non-Hermetic Thermostats Only (continued)

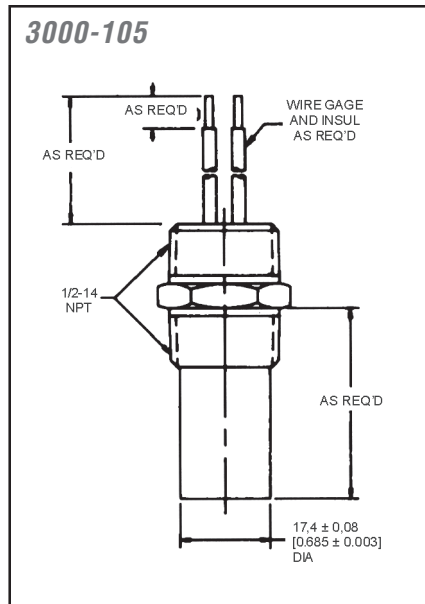
Series 3450/3455R/3455RBV/3450C/3455RC/3455RM/3450CM



Standard Mounting Bracket Guide: Non-Hermetic Thermostats Only (continued)



High Amperage Custom Package Thermostats: Non-Hermetic Internal Thermostats Only



These custom designed Series 3000 packages include a non-hermetic non-adjustable, snap action 3450RC/3455RC thermostat. Performance characteristics are outlined elsewhere in this catalog. Housing material varies with customer requirements. Brass, stainless steel, and other materials are available. Customized wire, terminals and size may be designed to suit requirements.

Terminal/Bracket Orientations (Intermediate angles available on special request.)





3200 Series Aerospace

The 3200 Series is a single pole, single throw switch activated by a snap-action bimetal disc. Temperature calibrations are pre-set at the factory and each unit is 100 % thermally and mechanically inspected. It is available to open or close on temperature rise. The case is laser welded to form a hermetically sealed steel housing, with a glass-to-metal seal at the terminal junction. It is manufactured and tested to meet or exceed critical military and aerospace specifications for spaceflight use, including temperature stability, shock, vibration and cleanliness.

Amperage:	5 A resistive
Housing material:	Steel housing with glass-to-metal seal at terminal junction
Operating temperature range:	-51 °C to 163 °C [-60 °F to 325 °F]
Environmental exposure range:	-65 °C to 177 °C [-85 °F to 350 °F]
Dielectric strength:	MIL-STD-202, Method 301, 1250 Vac
Insulation resistance:	MIL-STD-202, Method 302, 500 MOhm
Contact resistance:	MIL-STD-202, Method 307, 0.025 Ohm max.
Hermetic seal:	MIL-STD-202, Method 112, Cond. C
Moisture resistance:	MIL-STD-202, Method 106
Shock:	MIL-STD-202, Method 213, 750 G
Vibration:	MIL-STD-202, Method 204, 30 G
Acceleration:	MIL-STD-202, Method 214, 50 G
Thermal shock:	MIL-STD-202, Method 212, 20 G
Salt (1) spray:	MIL-STD-202, Method 107, Cond. B
	MIL-STD-202, Method 101, Cond. B



SERIES NAME
3200 Series Aerospace

High Reliability thermostats are manufactured to meet the stringent requirements of the military and aerospace industries for dielectric strength, moisture resistance, vibration, shock and hermetic seal. They meet all domestic and international approvals, as well as appropriate military specifications (i.e., MIL-S-24236).

NOTE: The products in this section do not follow the “how to use this catalogue” instructions provided in the catalogue introduction. Specific reference numbers are not given due to their custom nature. Please contact your local Honeywell sales office for ordering information.

3MS1 QPL Series Military

The 3MS1 Series is a single pole, single throw switch activated by a snap-action bimetal disc. Temperature calibrations are pre-set at the factory, and each unit is 100 % thermally and mechanically inspected. It is available to open or close on temperature rise. The case is laser welded to form a hermetically sealed steel housing with a glass-to-metal seal at the terminal junction. It is qualified to MIL-S-24236 and is QPL listed for military applications.

Amperage:	5 A resistive
Housing Material:	Steel housing with glass-to-metal seal at terminal junction
Operating temperature range:	-46 °C to 190 °C [-50 °F to 375 °F]
Environmental exposure range:	-65 °C to 260 °C [-85 °F to 500 °F]
Dielectric strength:	MIL-STD-202, Method 301, 1250 Vac
Insulation resistance:	MIL-STD-202, Method 302, 500 MOhm
Contact resistance:	MIL-STD-202, Method 307, 0.050 Ohm max.
Hermetic seal:	MIL-STD-202, Method 112 Cond. C
Moisture resistance:	MIL-STD-202, Method 106
Shock:	MIL-STD-202, Method 213, 100 G
Vibration:	MIL-STD-202, Method 204, 20 G
Acceleration:	MIL-STD-202, Method 212, 20 G
Thermal shock:	MIL-STD-202, Method 107, Cond. B
Salt (1) spray:	MIL-STD-202, Method 101, Cond. B

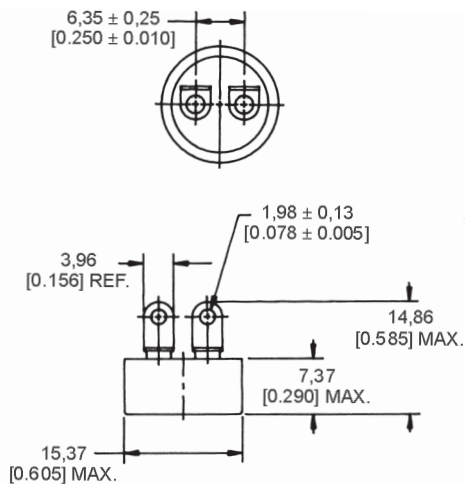


SERIES NAME
3MS1 QPL Series Military

3500 Series Military

The 3500 Series is a single pole, single throw switch activated by a snap-action bimetal disc. Temperature calibrations are pre-set at the factory, and each unit is 100 % thermally and mechanically inspected. It is available to open or close on temperature rise. The case is laser welded to form a hermetically sealed steel housing, with a glass-to-metal seal at the terminal junction. It meets or exceeds the requirements of MIL-S-24236 and is designed specifically for military and commercial aircraft applications. It is not QPL listed (see 3MS1).

Amperage:	5 A resistive
Housing material:	Steel housing with glass-to-metal seal at terminal junction
Operating temperature range:	-51 °C to 204 °C [-60 °F to 400 °F]
Environmental exposure range:	-65 °C to 260 °C [-85 °F to 500 °F]
Dielectric strength:	MIL-STD-202, Method 301, 1250 Vac
Insulation resistance:	MIL-STD-202, Method 302, 500 MOhm
Contact resistance:	MIL-STD-202, Method 307, 0.050 Ohm max.
Hermetic seal:	MIL-STD-202, Method 112, Cond. C
Moisture resistance:	MIL-STD-202, Method 106
Shock:	MIL-STD-202, Method 213, 400 G
Vibration:	MIL-STD-202, Method 204, 20 G
Acceleration:	MIL-STD-202, Method 212, 20 G
Thermal shock:	MIL-STD-202, Method 107, Cond. B
Salt (1) spray:	MIL-STD-202, Method 101, Cond. B



SERIES NAME
3500 Series Military

3153 Series Low Silhouette

The 3153 Series is a single pole, single throw switch activated by a snap-action bimetal disc. Temperature calibrations are pre-set at the factory, and each unit is 100 % thermally and mechanically inspected. It is available to open or close on temperature rise. The case is laser welded to form a hermetically sealed steel housing, with a glass-to-metal seal at the terminal junction. The low silhouette and compact design often make it especially well-suited for applications that require miniaturization. Acceptance testing is performed in accordance with MIL-S-24236, Table III.

Amperage:	6 A resistive
Housing Material:	Steel housing with glass-to-metal seal at terminal junction
Operating temperature range:	-29 °C to 177 °C [-20 °F to 350 °F]
Environmental exposure range:	-65 °C to 260 °C [-85 °F to 500 °F]
Dielectric strength:	MIL-STD-202, Method 301, 1250 Vac
Insulation resistance:	MIL-STD-202, Method 302, 500 MOhm
Contact resistance:	MIL-STD-202, Method 307, 0.050 Ohm max.
Hermetic seal:	MIL-STD-202, Method 112, Cond. C
Moisture resistance:	MIL-STD-202, Method 106
Shock:	MIL-STD-202, Method 213, 100 G
Vibration:	MIL-STD-202, Method 204, 20 G
Thermal shock:	MIL-STD-202, Method 107, Cond. B
Salt (1) spray:	MIL-STD-202, Method 101, Cond. B



SERIES NAME
3153 Series Low Silhouette

Combi-sensor



The Combi-sensor is a liquid pressure/temperature sensor that uses piezoresistive and thermistor sensing technology to measure water pressure and temperature. It is designed for use in boiler system water pressure and inflow temperature measurement applications.

Pressure range:	0 bar to 3.0 bar relative
Accuracy:	±2 % over full range
Response time:	<3 s
Operating temperature:	5 °C to 110 °C [41 °F to 203 °F]
Overpressure:	5 bar for 1 hour
Burst pressure:	9 bar for 1 min
Power supply:	5 Vdc ±10 %
Voltage output:	0.5 Vdc to 4.5 Vdc ratiometric to Vs
Maximum current limit:	250 mA (not self-limiting) (for reverse polarity)
NTC (Negative Temperature Coefficient) characteristics:	10 kOhm at 25 °C ±3 % beta(25/85) = 3998 K ±2 %
Connection:	Lumberg rast 2.5 edge connector ESL code 312-600

DESCRIPTION	REFERENCE
Combi-sensor	FS300-100



Heaters



Heaters are resistive devices that are used in a variety of applications such as airborne valves, appliances, satellites and medical electronics. They are available in flat, molded-to-shape, spiral wrap, transparent, composite and high temperature configurations. Honeywell uses a variety of materials to manufacture its heaters. These include silicone, which can easily be vulcanized to metal parts; Kapton®, noted for its thermal stability over a wide temperature range; as well as other flexible dielectric materials. Heaters are available with single, multiple or variable watt densities to customize heat output to unique application needs. They may also be bonded to other system parts or combined with Honeywell thermostats, thermistors, thermocouples, temperature sensors and thermal fuses to form custom-engineered heating systems. Optional PSA (Pressure Sensitive Adhesive) is available with all series.

NOTE: The products in this section do not follow the “how to use this catalogue” instructions provided in the catalogue introduction. Specific reference numbers are not given due to their custom nature. Please contact your local Honeywell sales office for ordering information.

3100 Series Silicone Wire-wound Heaters

The 3100 Series contains resistive wire encased between two layers of fiberglass-supported silicone rubber. All bonding adhesives are uncured silicone rubber. These heaters are cured under pressure and temperature during manufacturing. The multi-stranded resistance wires allow wire-wound heaters to conform to three dimensional shapes. Optional PSA (Pressure Sensitive Adhesive) is available with all series.

Maximum power: 40 W/in²
Operating/storage temperature range: 250 °C [482 °F] max.
 200 °C [392 °F] max. (UL)
Size constraints: None, virtually any size and shape
Geometry: Specific to customer requirements
Heater trace pattern: Specific to customer requirements



SERIES NAME
3100 Silicone Wire-wound Heater

3200 Series Silicone Chemically etched Heaters

The 3200 Series contains resistive foil traces encased between two layers of fiberglass-supported silicone rubber. All bonding adhesives are uncured silicone rubber. These heaters are cured under pressure and temperature during their manufacturing. They are often the optimal choice for multiple watt densities or varying trace geometry requirements.

Maximum power: 40 W/in²
Operating/storage temperature range: 250 °C [482°F] max.
 200 °C [392 °F] max. (UL)
Size constraints: 0,61 m x 0,61 m [24 in x 24 in]
Geometry: Specific to customer requirements
Heater trace pattern: Specific to customer requirements



SERIES NAME
3200 Silicone Chemically etched Heater

3400 Series Kapton® or High Temperature Insulated Heaters

The 3400 Series contains etched, resistive foil encased between two layers of Kapton. The Kapton Insulated Heaters use an acrylic thermoset bonding adhesive, while the Kapton Insulated High Temperature Heaters use a Teflon™ bonding adhesive. Insulated heaters are often used in applications where thin profile and or low material outgassing are important considerations.

- Maximum power:** 40 W/in²
- Operating/storage temp. range:**
- Kapton insulated: 177 °C [350 °F] max.
 - Kapton high temperature insulated: 260 °C [500 °F] max.
- Size constraints:** 0,61 m x 0,61 m [24 in x 24 in]
- Geometry:** Specific to customer requirements within size constraints
- Heater trace pattern:** Specific to customer requirements



SERIES NAME
3400 Kapton or High Temperature Insulated Heater

78000 Series Transparent Heaters

The 78000 Series heater resistive element consists of a very thin layer of ITO (Indium Tin Oxide) electrically sputtered on PET polyester film. The electrical connection is made via silver ink or carbon bus bars laid on top of the ITO. Wire connections are made via ring terminals eyeleted to the silver or carbon bus bars or flexible tail/connector. Transparent heaters are often used to warm liquid crystal displays (LCDs) in cold, moist environments.

- Maximum power:** 5 W/in²
- Operating/storage temp. range:** -40 °C to 85 °C [-40 °F to 185 °F]
- Size constraints:** 0,60 m x 0,43 m [22 in x 17 in]
- Geometry:** Specific to customer requirements within size constraints
- Heater trace pattern:** Continuous layer of ITO (Indium Tin Oxide) evenly sputtered across entire surface



SERIES NAME
78000 Transparent Heater

Magnetic Position Sensors



SS41/SS400 Series and SS51/SS500 Series Hall-effect Digital Position Sensors

The SS41/SS51 Series Bipolar Hall-effect Sensors offer reverse polarity protection, as well as a wide operating voltage and temperature range. The SS400/SS500 Series position sensors have a thermally balanced circuit over the full operating temperature range. The negative compensation slope is optimized to match the negative temperature coefficient of lower-cost magnets. Bipolar, latching, and unipolar magnetic types are available.

Supply voltage: 4.5 Vdc to 24 Vdc (SS41/SS51)
3.8 Vdc to 30 Vdc (SS400/SS500)

Operating temperature: -40 °C to 150 °C [-40 °F to 302 °F]



Honeywell's Solid State Position Sensor family includes digital and analog Hall-effect position sensors, magnetoresistive digital sensors, Hall-effect vane sensors, gear tooth sensors, Hall-effect basic switches, and magnets. Solid State Position Sensors promote reliability, high speed and long life and are directly compatible with other electronic circuits.

Position sensors are often used in applications which require accurate, reliable outputs. They are found in brushless dc motors, utility meters, welding equipment, vending machines, home appliances and computers.

OPTIONS

Maximum Operating Point and Minimum Release Point are specified @ 25 °C

Bipolar - non-temperature compensated

OPERATING POINT (MAX.)	RELEASE POINT (MIN.)	PACKAGE STYLE	REFERENCE
150 Gauss	-140 Gauss	Radial lead IC (SIP)	SS41
150 Gauss	-140 Gauss	Surface mount (SOT-89)	SS51T

Bipolar - temperature compensated

OPERATING POINT (MAX.)	RELEASE POINT (MIN.)	PACKAGE STYLE	REFERENCE
60 Gauss	-60 Gauss	Radial lead IC (SIP)	SS411A
140 Gauss	-140 Gauss	Radial lead IC (SIP)	SS413A
60 Gauss	-60 Gauss	Surface mount (SOT-89)	SS511AT
140 Gauss	-140 Gauss	Surface mount (SOT-89)	SS513AT

Unipolar - temperature compensated

OPERATING POINT (MAX.)	RELEASE POINT (MIN.)	PACKAGE STYLE	REFERENCE
115 Gauss	20 Gauss	Radial lead IC (SIP)	SS441A
180 Gauss	75 Gauss	Radial lead IC (SIP)	SS443A
390 Gauss	235 Gauss	Radial lead IC (SIP)	SS449A
115 Gauss	20 Gauss	Surface mount (SOT-89)	SS541AT
180 Gauss	75 Gauss	Surface mount (SOT-89)	SS543AT
390 Gauss	235 Gauss	Surface mount (SOT-89)	SS549AT

Bipolar latching - temperature compensated

OPERATING POINT (MAX.)	RELEASE POINT (MIN.)	PACKAGE STYLE	REFERENCE
85 Gauss	-85 Gauss	Radial lead IC (SIP)	SS461A
180 Gauss	-180 Gauss	Radial lead IC (SIP)	SS466A
85 Gauss	-85 Gauss	Surface mount (SOT-89)	SS561AT
180 Gauss	-180 Gauss	Surface mount (SOT-89)	SS566AT

SS40A/SS50AT Series

The SS40A/SS50AT Series sensors are low-cost, bipolar, Hall-effect sensors. These sensitive magnetic sensors offer reverse polarity protection and deliver stable output over a -40 °C to 125 °C [-40 °F to 257 °F] temperature range.

Supply voltage: 4.5 Vdc to 24 Vdc
Operating temperature: -40 °C to 125 °C [-40 °F to 257 °F]
Magnetic range (25°C): 110 Gauss (operate point max.)
 -110 Gauss (release point min.)

OPTIONS



Radial IC package

LEADS	REFERENCE
Standard	SS40A
Formed leads on 2.54 mm [0.1 in] centers	SS40A-F
Tape-in-box (ammopack) with formed leads	SS40A-T2
Tape-in-box (ammopack) with straight leads	SS40A-T3

SS49E/SS59ET Series

The SS49E/SS59ET Series economical linear Hall-effect sensors are small, versatile devices that are operated by the magnetic field from a permanent magnet or an electromagnet. The linear sourcing output volume is set by the supply voltage and varies in proportion to the strength of the magnetic field

Supply voltage: 3.0 Vdc to 6.5 Vdc
Operating temperature: -40 °C to 100 °C [-40 °F to 212 °F]
Magnetic range: ±1000 Gauss typ.

OPTIONS



Radial IC package

LEADS	REFERENCE
Standard leads	SS49E
Long-leaded version	SS49E-L
Tape-and-reel version with formed leads	SS49E-T2
Tape-and-reel version with straight leads	SS49E-T3



Surface-mount package

LEADS	REFERENCE
Tape and reel	SS50AT



Surface-mount package

LEADS	REFERENCE
Standard surface mount	SS59ET

SS490 Series Ratiometric Hall-effect Linear Position Sensors

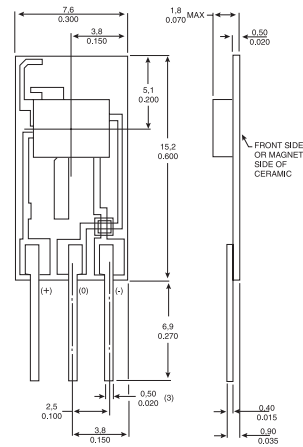
Package style: Plastic radial lead IC
Supply voltage: 4.5 Vdc to 10.5 Vdc
Operating temperature: -40 °C to 150 °C [-40 °F to 302 °F]



SS94 Series Ratiometric Hall-effect Linear Position Sensors

The SS94 utilizes a Hall-effect integrated circuit chip which promotes increased temperature stability and performance. Laser-trimmed thick film resistors on the ceramic substrate and thin film resistors on the integrated circuit reduce null and gain shifts over temperature which results in consistent sensitivity from one device to the next

Package style: Ceramic
Operating temperature: -40 °C to 125 °C [-40 °F to 257 °F]
 -55 °C to 150 °C [-67 °F to 302 °F](SS94B1A only)



OPTIONS

Magnetic range: -420 Gauss to 420 Gauss

PACKAGE STYLE	REFERENCE
Radial lead IC	SS494B
Surface mount	SS494B-S
Surface mount reel	SS494B-SP

Magnetic range: -670 Gauss to 670 Gauss

PACKAGE STYLE	REFERENCE
Radial lead IC	SS495A
Radial lead IC	SS495A1
Surface mount	SS495A1-S
Surface mount reel	SS495A-SP

Magnetic range: -840 Gauss to 840 Gauss

PACKAGE STYLE	REFERENCE
Radial lead IC	SS496A
Radial lead IC	SS496A1
Surface mount	SS496A1-S
Surface mount reel	SS496A-SP

OPTIONS

General purpose

MAGNETIC RANGE	SUPPLY VOLTAGE	SENSITIVITY @ 25 °C	REFERENCE
-500 Gauss to 500 Gauss	6.6 Vdc to 12.6 Vdc	5.0 mV ±0.1 mV/G	SS94A1
-500 Gauss to 500 Gauss	4.5 Vdc to 8.0 Vdc	1.875 mV ±0.1 mV/G	SS94A1B
-670 Gauss to 670 Gauss	4.5 Vdc to 12.0 Vdc	3.125 mV ±0.069 mV/G	SS94B1
275 Gauss to 1030 Gauss	4.5 Vdc to 10.5 Vdc	5.62 mV ±0.112 mV/G	SS94B1A

Low drift

MAGNETIC RANGE	SUPPLY VOLTAGE	SENSITIVITY @ 25 °C	REFERENCE
-500 Gauss to 500 Gauss	6.6 Vdc to 12.6 Vdc	5.0 mV ±0.1 mV/G	SS94A1E

High sensitivity

MAGNETIC RANGE	SUPPLY VOLTAGE	SENSITIVITY @ 25 °C	REFERENCE
-100 Gauss to 100 Gauss	6.6 Vdc to 12.6 Vdc	25.0 mV ±0.5 mV/G	SS94A1F

Noise shielded

MAGNETIC RANGE	SUPPLY VOLTAGE	SENSITIVITY @ 25 °C	REFERENCE
-500 Gauss to 500 Gauss	6.6 Vdc to 12.6 Vdc	5.0 mV ±0.1 mV/G	SS94A2
-1000 Gauss to 1000 Gauss	6.6 Vdc to 12.6 Vdc	2.5 mV ±0.05 mV/G	SS94A2C
-2500 Gauss to 2500 Gauss	6.6 Vdc to 12.6 Vdc	1.0 mV ±0.02 mV/G	SS94A2D

103SR Series Cylindrical Hall-effect Position Sensors

Hall-effect position sensors in a rugged aluminum housing. These position sensors meet NEMA 3, 3R, 12 and 13 sealing requirements.

Package style: Aluminum
Operating temperature: -40 °C to 100 °C [-40 °F to 212 °F]



Linear

MAGNETIC RANGE	SUPPLY VOLTAGE	SENSITIVITY @ 25 °C	REFERENCE
-670 to 670 Gauss	4.5 Vdc to 10.5 Vdc	3.125 mV/G	103SR19A-1

Unipolar

OPERATING POINT (MAX.)	RELEASE POINT (MIN.)	SUPPLY VOLTAGE	REFERENCE
400 Gauss	250 Gauss	4.5 Vdc to 24 Vdc	103SR13A-1
90 Gauss	45 Gauss	4.5 Vdc to 24 Vdc	103SR14A-1

Bipolar

OPERATING POINT (MAX.)	RELEASE POINT (MIN.)	SUPPLY VOLTAGE	REFERENCE
50 Gauss	-50 Gauss	4.5 Vdc to 24 Vdc	103SR17A-1

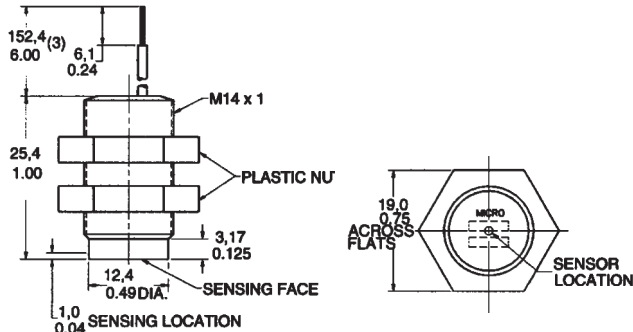
Bipolar latching

OPERATING POINT (MAX.)	RELEASE POINT (MIN.)	SUPPLY VOLTAGE	REFERENCE
50 Gauss	-50 Gauss	4.5 Vdc to 24 Vdc	103SR18A-1

SR3/SR4 Series Cylindrical Digital Position Sensors

The SR3 Series Hall-effect digital position sensors are enclosed in a plastic cylindrical housing and meet NEMA 3, 3R, 3S, 4, 4X, 12 and 13 requirements. The sensors are capable of operation at frequencies exceeding 100 Hz. The SR4 Series digital position sensors contain a magnetoresistive sensing element. The SR4 Series will typically sense either a north or south pole at a level of 15 Gauss.

Package style: Plastic - PBT
Operating temperature: -40 °C to 85 °C [-40 °F to 185 °F]



OPTIONS

Bipolar

OPERATING POINT (MAX.)	RELEASE POINT (MIN.)	SUPPLY VOLTAGE	REFERENCE
90 Gauss	-90 Gauss	4.5 Vdc to 24 Vdc	SR3B-A1

Unipolar

OPERATING POINT (MAX.)	RELEASE POINT (MIN.)	SUPPLY VOLTAGE	REFERENCE
150 Gauss	-50 Gauss	4.5 Vdc to 24 Vdc	SR3C-A1
400 Gauss	185 Gauss	4.5 Vdc to 24 Vdc	SR3F-A1
350 Gauss	260 Gauss	4.5 Vdc to 24 Vdc	SR3G-A1

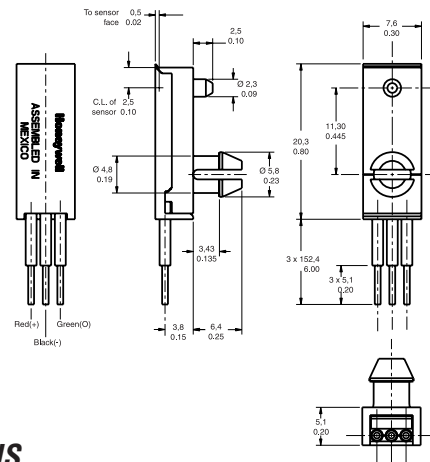
Omnipolar

OPERATING POINT (MAX.)	RELEASE POINT (MIN.)	SUPPLY VOLTAGE	REFERENCE
25 Gauss	5 Gauss	3.8 Vdc to 30 Vdc	SR4P3-A1

SR13 Series Hall-effect Digital Position Sensors

SR13 series Hall-effect digital position sensors permit quick and easy sensor installation, with snap-in and flat mount sensor packages, and can house any of the present SS400 Series sensors or any similarly sized sensing elements.

Package style: Plastic snap-in
Supply voltage: 3.8 Vdc to 30 Vdc
Operating temperature: -40 °C to 150 °C [-40 °F to 302 °F]



OPTIONS

Maximum Operating Point and Minimum Release Point are specified @ 25 °C

Unipolar

OPERATING POINT (MAX.)	RELEASE POINT (MIN.)	REFERENCE
180 Gauss	75 Gauss	SR13C-A1
115 Gauss	20 Gauss	SR13D-A1
390 Gauss	235 Gauss	SR13F-A1

Bipolar latching

OPERATING POINT (MAX.)	RELEASE POINT (MIN.)	REFERENCE
85 Gauss	-85 Gauss	SR13R-A1

SR16 Series Cost-effective Digital Vane Sensors

SR16 Series competitively priced Hall-effect digital vane sensors contain an internal magnet and Hall-effect sensor mounted in a dual tower configuration.

Package style: Dual tower
Supply voltage: 3.8 Vdc to 30 Vdc
Operating temperature: -20 °C to 85 °C [-4 °F to 185 °F]

OPTIONS



Type J4

PACKAGE STYLE PCB/Molex 5557 connector
REFERENCE SR16C-J4



Type J6

PACKAGE STYLE Wire exit
REFERENCE SR16C-J6



Type N

PACKAGE STYLE PCB mount leads
REFERENCE SR16C-N

SR17 Series Cost-effective Digital Vane Sensors

SR17 Series competitively priced Hall-effect digital vane sensors are designed for position and speed sensing and are offered in a side-mount twin tower package.

Package style: Side looker mounting
Supply voltage: 3.8 Vdc to 30 Vdc
Operating temperature: -20 °C to 85 °C [-4 °F to 185 °F]

OPTIONS



Type J6

PACKAGE STYLE Side mount wire exit
REFERENCE SR17C-J6



Type J7

PACKAGE STYLE 41 in wire leads and connector
REFERENCE SR17C-J7

Infrared Products



Infrared Emitting Diodes

OPTIONS

Metal package, end-emitting

Coaxial, lead case - SE1450/1470(L)



Miniature pill pack - SE2460/2470



TO-46, flat window - SE3455/3470



TO-46, dome lensed - SE5455/5470



Operating temperature: -55 °C to 125 °C [-67 °F to 257 °F]

OUTPUT WAVELENGTH (nm)	BEAM ANGLE (°)	POWER OUTPUT	REFERENCE
935	24	0.70 mW min.	SE1450-003L
880	24	1.10 to 4.50 mW/cm ²	SE1470-003L
935	18	1.00 mW min.	SE2460-003
880	18	6.0 mW/sr min.	SE2470-002
935	90	5.4 mW min.	SE3455-004
880	90	10.5 mW min.	SE3470-003
935	20	4.8 mW min.	SE5455-003
880	20	3.5 mW/cm ² min.	SE5470-004

Optoelectronics is the integration of optical principles and semiconductor electronics. Optoelectronic components are reliable, cost-effective sensors. Standard infrared emitting diodes (IREDs), IR detectors and assemblies are covered.

Infrared sensors are often used for presence sensing, motion sensing, position encoding, limit sensing, movement detection and counting.

Plastic package

T1, end-emitting - SEP8505/8705



Side-emitting - SEP8506/8706



Side-emitting - SEP8736

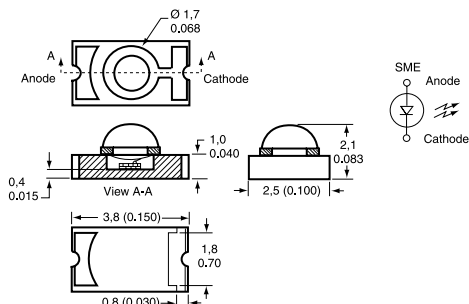


Operating temperature: -40 °C to 85 °C [-40 °F to 185 °F]

OUTPUT WAVELENGTH (nm)	BEAM ANGLE (°)	POWER OUTPUT	REFERENCE
935	15	2.0 to 4.0 mW/cm ²	SEP8505-003
935	50	0.33 to 0.52 mW/cm ²	SEP8506-002
880	15	2.7 to 7.8 mW/cm ²	SEP8705-003
880	10	1.7 to 3.0 mW/cm ²	SEP8736-003

Ceramic discrete surface mount - glass lens

SME2470



Note: This device can be mounted with the lens up or down, looking through PCB.

Operating temperature: -55 °C to 125 °C [-67 °F to 257 °F]

OUTPUT WAVELENGTH (NM)	BEAM ANGLE (°)	POWER OUTPUT	REFERENCE
880	24	0.60 mW/cm ² min.	SME2470-021

Phototransistors

OPTIONS

Metal package

Coaxial, lead case - SD1440(L)



Miniature pill pack - SD2440



TO-46, flat window - SD3443



TO-46, dome lensed - SD5443

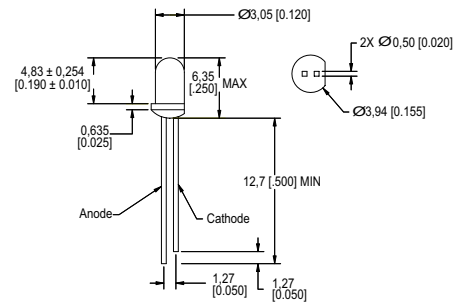


Operating temperature: -55 °C to 125 °C [-67 °F to 257 °F]

ANGULAR RESPONSE (°)	LIGHT CURRENT MINIMUM (mA)	REFERENCE
24	3.0	SD1440-003L
48	7.0	SD2440-004
90	2.0	SD3443-003
18	8.0	SD5443-003

Plastic package

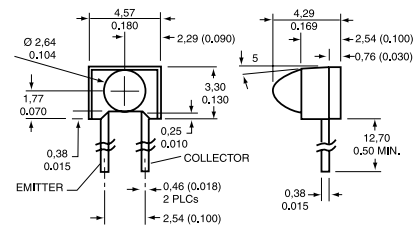
T1, end-looking - SDP8405



Side-looking - SDP8406



Side-looking - SDP8436

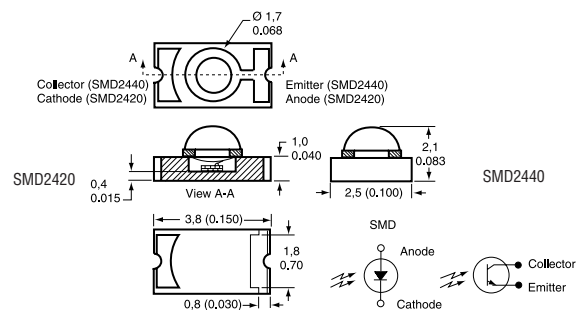


Operating temperature: -40 °C to 85 °C [-40 °F to 185 °F]

ANGULAR RESPONSE (°)	LIGHT CURRENT MINIMUM (mA)	REFERENCE
20	12.0	SDP8405-003
50	1.80	SDP8406-002
18	7.0	SDP8436-003

Ceramic discrete surface mount - glass lens

Top-looking - SMD2420/2440



Note:

This device can be mounted with the lens up or down, looking through PCB.

Operating temperature: -55 °C to 125 °C [-67 °F to 257 °F]

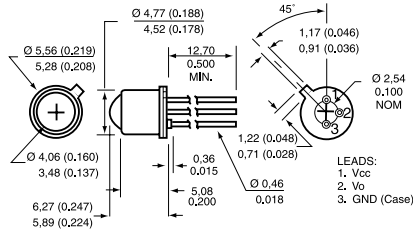
ANGULAR RESPONSE (°)	LIGHT CURRENT MINIMUM (mA)	REFERENCE
28	3.0	SMD2440-012

Optoschmitt Detectors

OPTIONS

Metal package

TO-46, dome lensed



Operating temperature: -40 °C to 100 °C [-40 °F to 212 °F]
Supply voltage: 4.5 V to 16.0 V
Output: 10 kOhm Pull-up
Angular response: 12°

OUTPUT LOGIC	TURN-ON THRESHOLD IRRADIANCE	REFERENCE
Buffer	2.5 mW/cm ² max.	SD5600-001
Inverter	2.5 mW/cm ² max.	SD5610-001
Buffer	0.25 mW/cm ²	SD5620-001
Inverter	0.25 mW/cm ²	SD5630-001

Plastic package

Side-looking



Operating temperature: -40 °C to 85 °C [-40 °F to 185 °F]
Supply voltage: 4.5 V to 12.0 V
Output: 10 kOhm Pull-up
Angular response: 50°

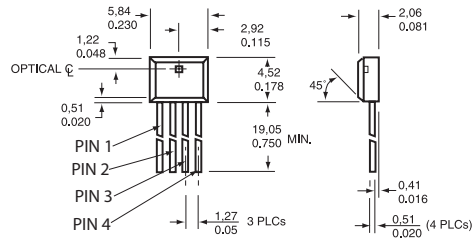
OUTPUT LOGIC	TURN-ON THRESHOLD IRRADIANCE	REFERENCE
Buffer	2.5 mW/cm ² max.	SDP8600-001

Encoder Sensors

Operating temperature: -40 °C to 85 °C [-40 °F to 185 °F]
Turn-on threshold irradiance: 0.05 mW/cm² to 2.0 mW/cm²
Supply voltage: 4.5 Vdc to 5.5 Vdc
Package style: Plastic, PC mount

OPTIONS

Side-looking - HLC2701/HLC2705



LEADS	HLC 2701	HLC2705
1.	B out	1. Direction out
2.	Vcc	2. Vcc
3.	Gnd	3. Gnd
4.	A out	4. Speed (Tach) out

PC mount - HOA0901/0902



LEADS	HOA0901	HOA0902
1.	Cathode	1. Cathode
2.	Anode	2. Anode
3.	Output A	3. Speed
4.	GND	4. GND
5.	Vcc	5. Vcc
6.	Output B	6. Direction

OUTPUT OPTION	REFERENCE
A and B output	HLC2707-001
Speed and direction	HLC2705-001
Direction, inverting logic	HOA0901-011*
Speed and direction, 2 tachometer	HOA0902-011*

* -012 version not shown, has dual mounting tabs

NOTICE

Housings are soluble in chlorinated hydrocarbons and ketones. Recommended cleaning agents are methanol and isopropanol.

Reflective Sensors

OPTIONS

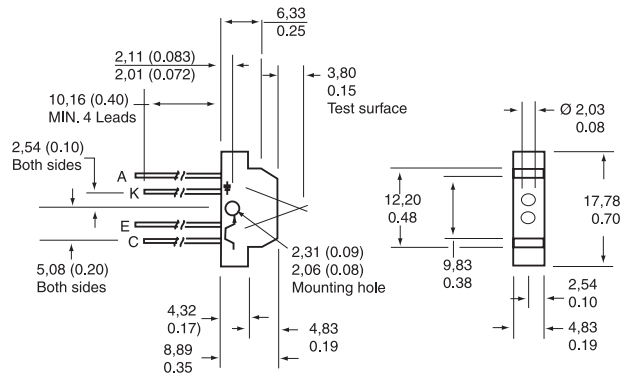
Metal components

Converging/focused optical axis - HOA1180



HOA Series

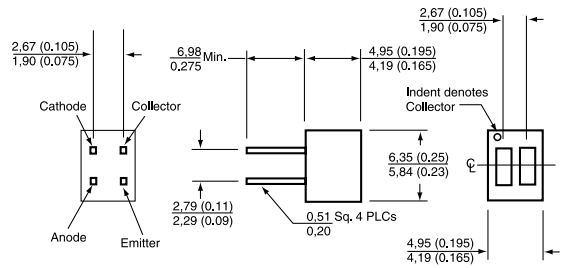
Converging/focused optical axis - HOA0149



Converging/focused optical axis - HOA2498



HOA1397

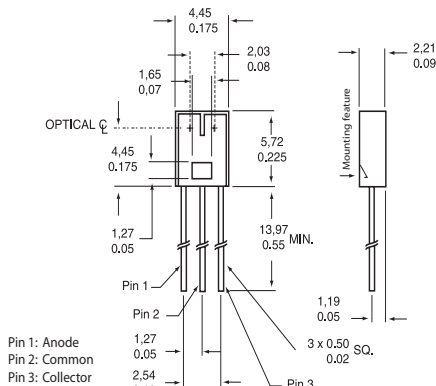


Operating temperature: -55 °C to 100 °C [-67 °F to 212 °F]
Output: Transistor

ON-STATE COLLECTOR CURRENT	REFERENCE
0.16 mA	HOA1180-002
0.16 mA	HOA2498-002

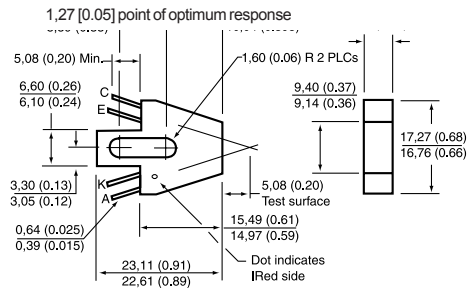
Plastic package

HLC1395 Series, short distance detection



(1.0 mm/0.04 in) point of optimum response

Converging/focused optical axis - HOA1405



Operating temperature: -40 °C to 85 °C [-40 °F to 185 °F]
Output: Transistor

	ON-STATE COLLECTOR CURRENT	REFERENCE
Low profile	0.60 mA	HLC1395-002
	1.00 mA	HOA0149-001
	0.70 mA	HOA1397-002
	0.80 mA	HOA1405-002

NOTICE

Housings are soluble in chlorinated hydrocarbons and ketones. Recommended cleaning agents are methanol and isopropanol.

Transmissive Sensors, Phototransistor Output

OPTIONS

Metal components

HOA1877

Aperture (emitter and detector): $\varnothing 1,27 \text{ mm}$ [0.050 in]



Operating temperature: $-55 \text{ }^\circ\text{C}$ to $100 \text{ }^\circ\text{C}$ [$-67 \text{ }^\circ\text{F}$ to $212 \text{ }^\circ\text{F}$]
 Output: Transistor

ON-STATE COLLECTOR CURRENT	REFERENCE
0.1 mA	HOA1877-001

Plastic components

HOA086X/087X (L,N,T,P ear versions available)



HOA1879



NOTICE

Housings are soluble in chlorinated hydrocarbons and ketones. Recommended cleaning agents are methanol and isopropanol.

HOA1882

Aperture (emitter and detector): $\varnothing 1,52 \text{ mm}$ [0.060 in]

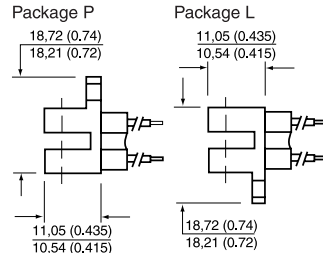


Plastic components, wire leads

HOA088X/089X (L,N,T, P ear versions available)

Wire colour code and functions:

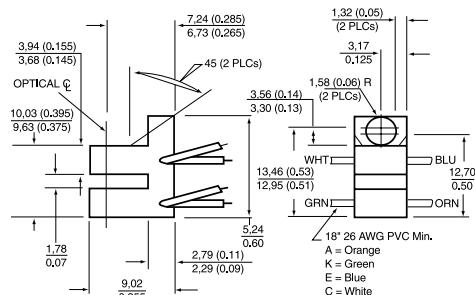
Red - IRED Anode
 Black - IRED Cathode
 White - Detector Collector
 Green - Detector Emitter



HOA1870

Wire colour code and functions:

Orange - IRED Anode
 Green - IRED Cathode
 Aperture (emitter and detector): $0,15 \text{ mm}$ [0.006 in] wide



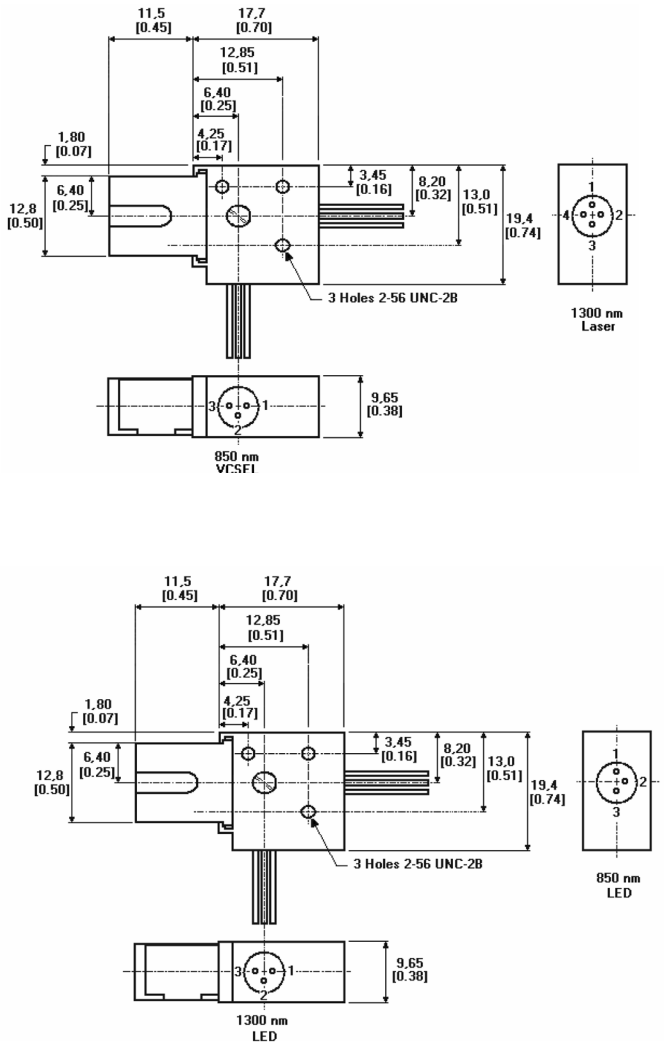
Operating temperature: $-40 \text{ }^\circ\text{C}$ to $85 \text{ }^\circ\text{C}$ [$-40 \text{ }^\circ\text{F}$ to $185 \text{ }^\circ\text{F}$]
 Output: Transistor

	ON-STATE COLLECTOR CURRENT	REFERENCE
Opaque housing	1.00 mA	HOA0866-T55
Opaque housing	0.50 mA	HOA0870-N51
Opaque housing	0.50 mA	HOA0880-P51
Opaque housing	0.50 mA	HOA0890-L55
Opaque housing	0.30 mA	HOA1870-031
Opaque housing	0.50 mA	HOA1879-015
Opaque housing	1.80 mA	HOA1882-012

HOD Series Single Fiber Duplex Modules

The HOD Series allows full duplex communication over a single fiber link. These products may also be used where a dual fiber solution is neither possible nor economical. Each duplex module consists of one on-axis port and one off-axis port, each configured with the appropriate devices.

Link bandwidth: dc to 160 MHz
Link budgets: 2 km [1.24 miles] or greater
Operating temperature: 0 °C to 70 °C [32 °F to 158 °F]



ST housing

PORT 1 DEVICE	PORT 2 DEVICE	REFERENCE
1300 nm LED/Laser	850 nm PIN	HOD2236-111/BBA
1300 nm PIN	VCSEL	HOD4090-111/BBA

SC connector

PORT 1 DEVICE	PORT 2 DEVICE	REFERENCE
1300 nm LED/Laser	VCSEL	HOD2294-111/EBA
850 nm LED	1300 nm LED/Laser	HOD1121-411/EBA

Current Sensors

Closed Loop Current Sensors



Closed loop current sensors measure ac, dc and impulse currents over 0 A to 25 A, 0 A to 50 A, 0 A to 100 A, 0 A to 600 A and 0 A to 1200 A ranges. The CSN series is based on the Hall-effect principle and the null balance or zero magnetic flux method (feedback system). The magnetic flux in the sensor core is constantly controlled at zero. The amount of current required to balance zero flux is the measure of the primary current flowing through the conductor, multiplied by the ratio of the primary to secondary windings. This closed loop current is the output from the device and presents an image of the primary current reduced by the number of secondary turns at any time. This current can be expressed as a voltage by passing it through a resistor.

The CSN Series has a high overload capacity, a high level of electrical insulation between primary and secondary circuits and a rapid response rate. Lightweight and compact, and with no restriction on input current waveform, the sensors are often ideal for variable speed drives, power supplies, feedback control systems, robotics/welding equipment and general overcurrent protection.

Sensed current type: ac or dc
EMC: EN 50082-2, EN 50081-2
Accuracy: <0.5 %
Housing material: UL94-V0

Current sensors monitor ac or dc current. Included are adjustable linear, null balance, digital and linear current sensors.

Digital current sensors can sound an alarm, start a motor, open a valve or shut down a pump. The linear signal duplicates the waveform of the current being sensed, and can be used as a feedback element to control a motor or regulate the amount of work being done by a machine.

CSN Series Magnetostrictive (MR) Current Sensor

The CSN Series MR Current Sensor builds on patented Honeywell technology to offer superior sensor performance and accuracy in current measuring applications. There is virtually no offset drift over the entire operating temperature range. The sensor operates from a +5 V unipolar supply and has an accessible, internal 2.5 V voltage reference. The sensor can operate from either the internal voltage reference or an external voltage reference, thus enabling several sensors to be used without offset imbalance.

Mounting: PCB on 11 pins
Accuracy: $\pm 0.32\%$ @ $-40\text{ }^{\circ}\text{C}$ to $85\text{ }^{\circ}\text{C}$ [$-40\text{ }^{\circ}\text{F}$ to $185\text{ }^{\circ}\text{F}$]
Thermal drift of offset current: $< \pm 10\text{ }\mu\text{A}$ @ $-40\text{ }^{\circ}\text{C}$ to $85\text{ }^{\circ}\text{C}$ [$-40\text{ }^{\circ}\text{F}$ to $185\text{ }^{\circ}\text{F}$]
Internal reference voltage: +2.5 Vdc



SENSED CURRENT RANGE	COIL TURNS	SUPPLY VOLTAGE	REFERENCE
$\pm 56\text{ A}$	2000 (50 Ohm coil)	+5 Vdc	CSNX25

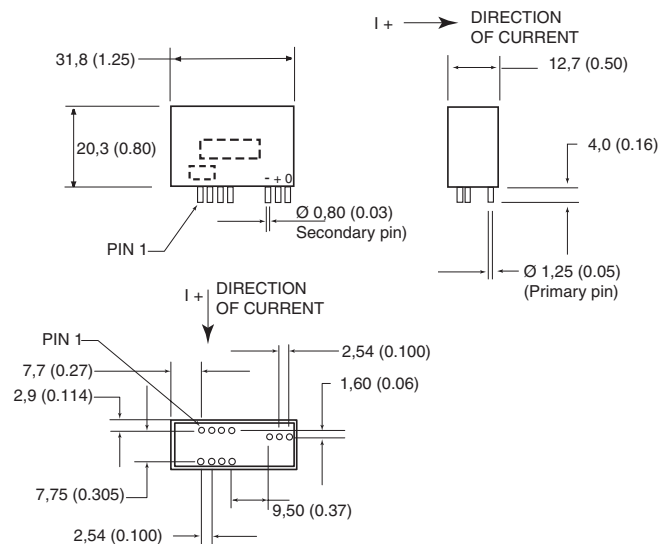
CSN Series (continued)



Multi turn PCB mounted

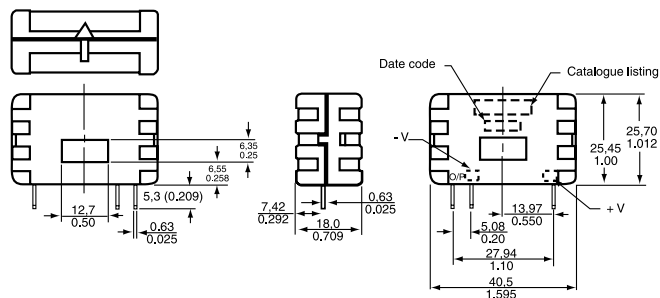
Mounting: PCB on 13 pins

SENSED CURRENT RANGE	COIL TURNS	SUPPLY VOLTAGE	REFERENCE
±36 A	1000 (110 Ohm coil)	±15 Vdc	CSNE151



Mounting: PCB on 11 pins

SENSED CURRENT RANGE	NOMINAL CURRENT	COIL TURNS	SUPPLY VOLTAGE	REFERENCE
±90 A	25 A	1000 (66 Ohm coil)	±12 Vdc to 15 Vdc	CSNE151-100
±90 A	50 A	1000 (66 Ohm coil)	±12 Vdc to 15 Vdc	CSNE151-200

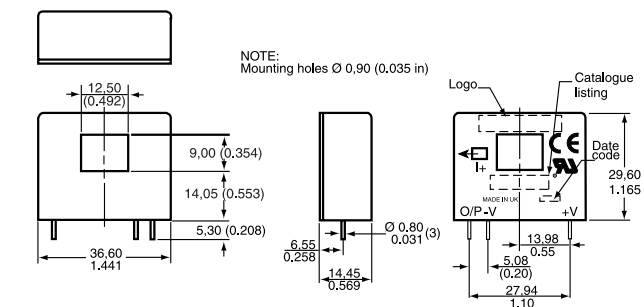


Small housed style

Mounting: PCB on 3 pins

SENSED CURRENT RANGE	COIL TURNS	SUPPLY VOLTAGE	REFERENCE
±70 A	1000 (90 Ohm coil)	±15 Vdc	CSNA111
±90 A	1000 (50 Ohm coil)	±13 Vdc	CSNC241
±100 A	2000 (160 Ohm coil)	±15 Vdc	CSNB121
±100 A	2000 (130 Ohm coil)	±15Vdc	CSNB131

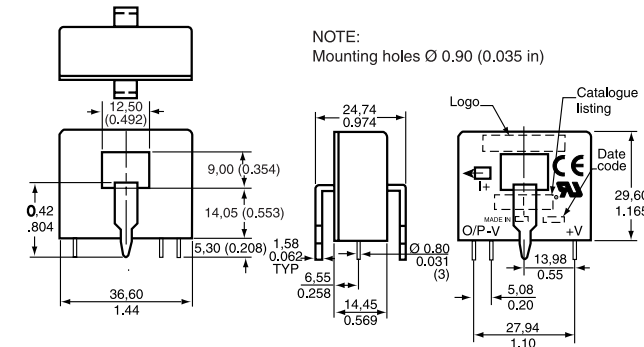
Small housed family



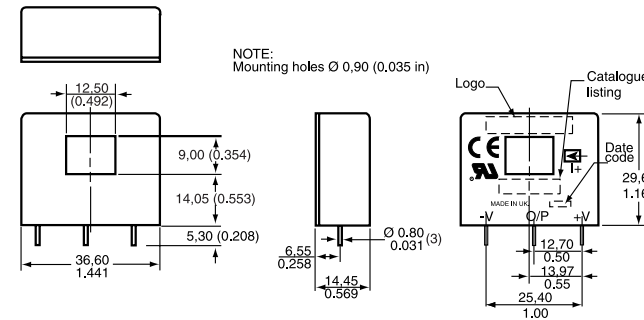
Pinout style 'A'

Mounting: PCB on 3 pins

SENSED CURRENT RANGE	COIL TURNS	SUPPLY VOLTAGE	REFERENCE
±90 A	1000 (30 Ohm coil)	±12 Vdc to ±15 Vdc	CSNP661
±150 A	2000 (100 Ohm coil)	±12 Vdc to ±15 Vdc	CSNT651
±180 A	2000 (100 Ohm coil)	±15 Vdc	CSNG251



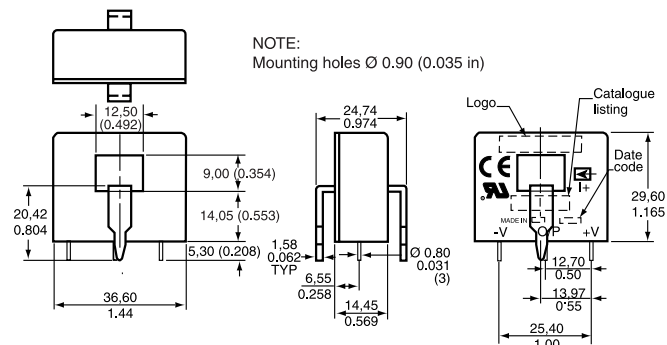
SENSED CURRENT RANGE	COIL TURNS	SUPPLY VOLTAGE	REFERENCE
±90 A	1000 (30 Ohm coil)	±12 Vdc to ±15 Vdc	CSNP661-002
±150 A	2000 (100 Ohm coil)	±12 Vdc to ±15 Vdc	CSNT651-001



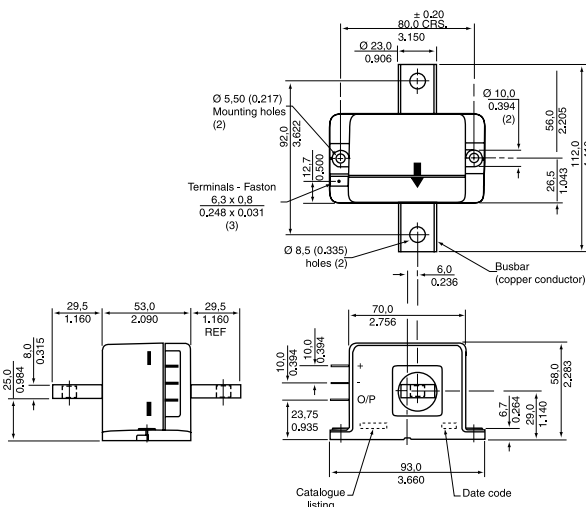
Pinout style 'B'

SENSED CURRENT RANGE	COIL TURNS	SUPPLY VOLTAGE	REFERENCE
±150 A	1000 (30 Ohm coil)	±12 to ±15 Vdc	CSNF161
±180 A	2000 (100 Ohm coil)	±12 to ±15 Vdc	CSNF151
±200 A	2000 (100 Ohm coil)	±12 to ±15 Vdc	CSNR151
±200 A	1000 (30 Ohm coil)	±12 to ±15 Vdc	CSNR161

Small housed family (continued)



NOTE:
Mounting holes \varnothing 0.90 (0.035 in)



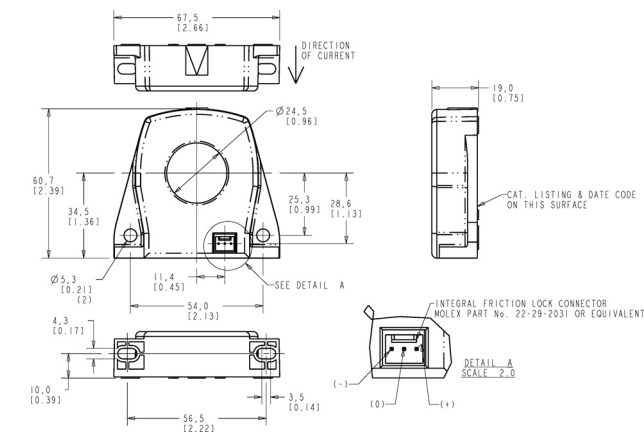
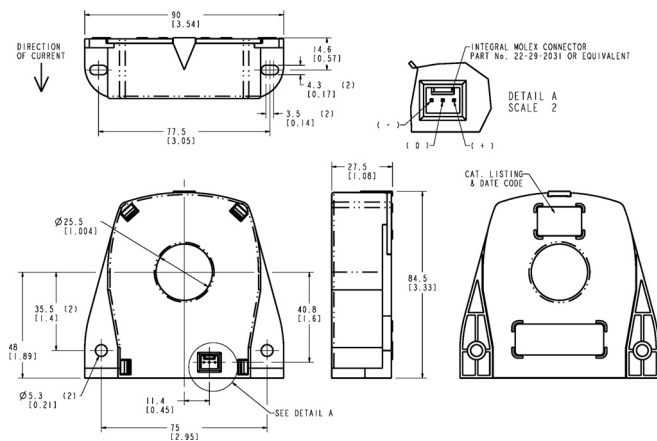
SENSED CURRENT RANGE	COIL TURNS	SUPPLY VOLTAGE	REFERENCE
±150 A	1000 (30 Ohm coil)	±12 Vdc to ±15 Vdc	CSNF161-002
±200 A	2000 (100 Ohm coil)	±12 Vdc to ±15 Vdc	CSNR151-002
±200 A	1000 (30 Ohm coil)	±12 Vdc to ±15 Vdc	CSNR161-002

Mounting: Panel, spade terminals x 3

SENSED CURRENT RANGE	COIL TURNS	SUPPLY VOLTAGE	REFERENCE
±600 A	2000 (25 Ohm coil)	±12 Vdc to ±18 Vdc	CSNJ481
±600 A (busbar)	2000 (25 Ohm coil)	±12 Vdc to ±18 Vdc	CSNJ481-001

CSNS Series Closed Loop Current Sensors

The CSNS Series closed loop current sensor offers a flexible solution for measuring currents up to ±600 A. These small sensors have a large primary through hole to accept either a cable or a variety of busbar sizes. The sensors can be mounted vertically or horizontally and come with connection options of integral Molex type connector or a flying lead. The sensors are closed loop devices and based on the principle of Hall effect and null balance method. The output from the current sensor is the balancing current that is the perfect image of the primary current reduced by the number of secondary turns at any time. The current can be expressed as a voltage by passing it through a load resistor.



Large-housed style

Mounting: Panel (see order guide)
Sensed current range: ±1200 A
Coil turns: 5000 (50 Ohm coil)
Supply voltage: ±12 Vdc to ±18 Vdc

CONNECTOR	REFERENCE
3 pin Molex	CSNK500M
4 pin Molex	CSNK500M-001

Mid-range housed style

Mounting: Panel (see order guide)
Sensed current range: ±600 A
Coil turns: 2000 (31 Ohm coil)
Supply voltage: ±12 Vdc to ±18 Vdc

CONNECTOR	REFERENCE
Integral Molex type connector (3 pin)	CSNS300M
Integral Molex type connector (4 pin), fully encapsulated	CSNS300M-001
Flying lead and amp-type connector	CSNS300F

CSNS Series (continued)



Mounting: Panel, spade terminals x 3

SENSED CURRENT RANGE	COIL TURNS	SUPPLY VOLTAGE	REFERENCE
±1200 A	5000 (50 Ohm coil)	±15 to ±24 Vdc	CSNK591
±1200 A (busbar)	5000 (50 Ohm coil)	±15 to ±24 Vdc	CSNK591-001

Open Loop Current Sensors

CSL Series Linear Current Sensors



CSL Series linear current sensors incorporate our 91SS12-2 and SS94A1 linear output Hall-effect transducer (LOHET™). These sensors cover measuring ranges from 0 A to 950 A. The sensing element is assembled in a printed circuit board mountable housing. This housing is available in four configurations. Normal mounting is with 0.375 in long 4-40 screw and square nut (not provided) inserted in the housing or a 6-20 self-tapping screw. The combination of the sensor, flux collector and housing comprises the holder assembly. These sensors are ratiometric.

Sensed current type: ac or dc
Housing: PBT polyester

OPTIONS



PCB bottom mount

SENSED CURRENT RANGE	SUPPLY VOLTAGE	REFERENCE
0 A to 75 A	8 Vdc to 16 Vdc	CSLA1DE
0 A to 92 A	6 Vdc to 12 Vdc	CSLA2DE
0 A to 150 A	6 Vdc to 12 Vdc	CSLA2DG
0 A to 225 A	8 Vdc to 16 Vdc	CSLA1DJ
0 A to 225 A	6 Vdc to 12 Vdc	CSLA2DJ
0 A to 325 A	8 Vdc to 16 Vdc	CSLA1DK
0 A to 400 A	6 Vdc to 12 Vdc	CSLA2DK

CSD Series Digital Current Sensor

Each Honeywell CS Series digital current sensor provides a logic-level output that changes from approximately V_{supply} to 0.5 Vdc when the sensed current exceeds the operate point. Each digital sensor will sense ac or dc current, but when sensing ac current, the output will turn off at every zero crossing. Maximum current limited only by conductor size.

Housing: PET polyester
Operating temperature: -25 °C to 85 °C [-13 °F to 185 °F]



PCB bottom mount

OPERATE CURRENT	SUPPLY VOLTAGE	PACKAGE STYLE	REFERENCE
0.5 A.t nominal*	6 Vdc to 16 Vdc	1	CSDA1AA
0.5 A.t nominal	6 Vdc to 16 Vdc	2	CSDA1BA
0.5 A.t nominal	6 Vdc to 16 Vdc	3	CSDA1DA
3.5 A.t nominal	6 Vdc to 16 Vdc	1	CSDA1AC
3.5 A.t nominal	6 Vdc to 16 Vdc	2	CSDA1BC
3.5 A.t nominal	6 Vdc to 16 Vdc	3	CSDA1DC
0.5 A.t nominal	5 Vdc ±0.2 Vdc	1	CSDC1AA
0.5 A.t nominal	5 Vdc ±0.2 Vdc	2	CSDC1BA
0.5 A.t nominal	5 Vdc ±0.2 Vdc	3	CSDC1DA
3.5 A.t nominal	5 Vdc ±0.2 Vdc	1	CSDC1AC
3.5 A.t nominal	5 Vdc ±0.2 Vdc	2	CSDC1BC
3.5 A.t nominal	5 Vdc ±0.2 Vdc	3	CSDC1DC

* A.t. = Amp turns

Liquid Level Sensors



Honeywell Liquid Level Sensors incorporate a voltage level switch which provides a digital output that denotes the presence or absence of liquid. The mode of operation is derived from the principle of total internal reflection. An LED and detector are housed within a plastic dome at the head of the device. When no liquid is present, all light from the LED is totally internally reflected from the dome boundary to the detector. When liquid covers the dome, the effective refractive index at the dome/liquid boundary changes, allowing some light from the LED to escape. Thus the amount of light received by the voltage level switch is reduced and the output switches, denoting the presence of liquid. This method of liquid level sensing is very fast and instantaneous for water.

Principle - in air



LLE Series Enhanced Liquid Level Sensor

The LLE Series enhanced liquid level sensors use a phototransistor trigger which provides a digital output that denotes the presence or absence of liquid. This series incorporates reverse polarity, over voltage, short circuit and transient protection.

- Termination:** 250 mm lead wires
- Supply voltage:** +5 Vdc to +12 Vdc
- Pressure range:** 0 bar to 5 bar (plastic housing)
0 bar to 25 bar (metal housing)
- Operating temperature:** -25 °C to 80 °C [-13 °F to 176 °F]
-40 °C to 125 °C [-40 °F to 257 °F] (high)
- Storage temperature:** -30 °C to 85 °C [-22 °F to 185 °F]
- Seal washer:** Vamac® or Nitrile rubber
- Output function:** High in air



Screw-in, M12 thread, plastic - Type 1

	SEAL WASHER	REFERENCE
High temperature	Nitrile rubber Vamac®	LLE101000 LLE101101

Wiring diagram



Type 2

	SEAL WASHER	REFERENCE
High temperature	Nitrile rubber Vamac®	LLE102000 LLE102101

LLE Series (continued)



Type 3

	SEAL WASHER Nitrile rubber Vamac®	REFERENCE LLE103000 LLE103101
High temperature		



Push-in, plastic - Type 5

		REFERENCE LLE105000 LLE105100
High temperature		



Screw-in, 0.5 in, metal

		REFERENCE LLE205000 LLE305000
Nickel-plated brass Stainless steel		

LLN Series Industrial Liquid Level Sensors

The LLN Series industrial liquid level sensors are designed for many harsh industrial environments with extremes in temperature, pressure, vibration and shock. The LLN Series has reverse polarity and overvoltage protection. Housed in stainless-steel, the LLN Series has long life and is easy to clean. The LLN Series terminates using industry standard quick-connect connectors.

Wiring diagram



Housing material:	Stainless steel
Sealing:	IP67
Termination:	3 pin Lumberg/Brad Harrison type connector
Supply voltage:	10 Vdc to 40 Vdc
Pressure range:	0 bar to 25 bar
Operating temperature:	-40 °C to 125 °C [-40 °F to 257 °F]
Storage temperature:	-50 °C to 150 °C [-58 °F to 302 °F]



OUTPUT TYPE	REFERENCE
High in air	LLN8651721
Low in air	LLN8651722

Basic Switches



These listings include standard size basics, miniature and subminiature switches. The precision snap-action mechanisms are offered with a wide variety of actuators and operating characteristics. Basic switches are often ideal for applications requiring compactness, light weight, accurate repeatability and long life.

They are best used for presence/absence detection where physical contact with object is permissible. Very economical.

OPTIONS

Note: BA/BE plunger position distance from mounting hole = 19 mm [0.75 in]

BZ/BA/BM/BE Series Basic Switches

BZ/BA/BM/BE Series standard basic switches are used for simple or precision on/off application needs.

As well as the catalogue listings presented here, we offer other versions with higher temperature ratings, different termination options, different electrical ratings and Single Pole, Single Throw (SPST) circuitry. Refer to our Web site for details.

Voltage:	250 Vac
Electrical rating:	up to 25 A
Operating temperature:	-55 °C to 85 °C [-67 ° F to 185 °F]
Termination:	Screw
Contact type:	Silver
Approvals:	CE, CSA, UL, ENEC
Switching options:	Single pole, double throw (SPDT)



Top pin plunger

Approvals: BE-2R-A4 CSA, UL

ELECTRICAL RATING	TERMINATION	REFERENCE
15 A	Solder	BZ-R
15 A	Screw	BZ-R-A2
15 A	Solder	BZ-R169
15 A	Screw	BZ-2R-A2
25 A	Screw	BE-2R-A4



Overtravel plunger (standard)

ELECTRICAL RATING	TERMINATION	REFERENCE
15 A	Screw	BZ-2R0-A2
20 A	Screw	BA-2RB-A2



Panel mount overtravel plunger

ELECTRICAL RATING	TERMINATION	REFERENCE
15 A	Screw	BZ-2R01-A2
20 A	Screw	BA-2R01-A2

DT Series Basic Switches

DT Series standard basic switches consist of two independent single-pole double throw circuits in one housing actuated by one actuator. The terminals are separated by a non-conductive shield to reduce shorting.

Voltage: 250 Vac
Electrical rating: 10 A
Operating temperature: -55 °C to 85 °C [-67 ° F to 185 °F]
Termination: Screw
Contact type: Silver
Approvals: CSA, UL
Switching options: Double pole, double throw (DPDT)



Top pin plunger

ELECTRICAL RATING	TERMINATION	REFERENCE
10 A	Screw	DT-2R-A7

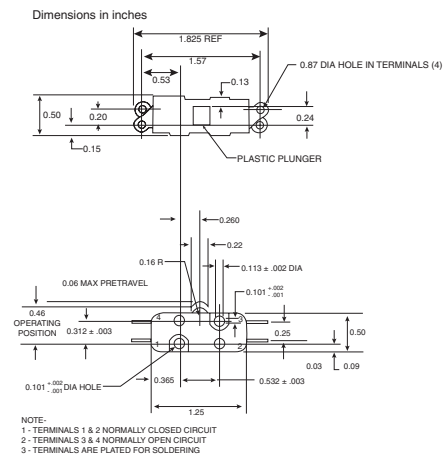
Basic Switch Accessories

A range of accessories is available for BZ, BA, BM, BE and DT switches, such as the 5PA2 terminal enclosure. For more information please contact your local sales office.

TB Series Miniature Double-break Basic Switches

TB Series miniature double-break basic switches are basic double-break units that offer a means of controlling isolated circuits. Each circuit may be driven by an independent voltage source.

Voltage: 250 Vac
Electrical rating: 10 A
Operating temperature: -55 °C to 125 °C [-67 ° F to 257 °F]
Termination: Solder
Contact type: Silver
Approvals: CSA, UL
Switching options: Single pole, double throw, double break (SPDT DB)



Top pin plunger

ELECTRICAL RATING	TERMINATION	REFERENCE
10 A	Solder	1TB1-2

SM and SX Series Subminiature Basic Switches

SM and SX Series subminiature basic switches are used for simple or precision on/off application needs. These switches combine small size and light weight with ample electrical capacity, precision operation and long life. The SX Series are small, precision, snap-action switches that are often ideal where savings in space and weight are important.

Voltage: 250 Vac
Operating temperature: -55 °C to 125 °C [-67 °F to 257 °F]
Termination: Solder
Contact type: Silver
Switching options: Single pole, double throw (SPDT)



SM Series

Approvals: CE, CSA, UL
Electrical rating: 5 A

OPTIONS



Top pin plunger

Approvals: 11SM601-H4 UL, CSA

TERMINATION	ELECTRICAL RATING	CONTACT TYPE	REFERENCE
Solder/quick connect	5 A	silver	11SM1
	5 A	silver	11SM601-H4



Straight lever

LEVER LENGTH	ELECTRICAL RATING	CONTACT TYPE	REFERENCE
4.83 mm	5 A	silver	111SM1



Roller lever

TERMINATION	ELECTRICAL RATING	CONTACT TYPE	REFERENCE
Solder/quick connect	5 A	silver	111SM2-T

SX Series

Approvals: CE, CSA, UL
Electrical rating: 5 A

OPTIONS



Top pin plunger

Approvals: 6SX7-T UL, CSA

CONTACTS	ELECTRICAL RATING	REFERENCE
Silver	7 A	1SX1-T
Silver	3 A	11SX1-T
Gold	1 A	6SX7-T



Straight lever

CONTACT TYPE	ELECTRICAL RATING	LEVER LENGTH	REFERENCE
Silver	5 A	'A' 12.8 mm	311SX2-T
Silver	5 A	'A' 24.5 mm	311SX3-T



Simulated roller

CONTACT TYPE	ELECTRICAL RATING	LEVER	REFERENCE
Silver	5 A	Roller	311SX5-T

ZM, ZX, ZV and ZW Series Subminiature Basic Switches

ZM, ZX, ZV and ZW Series subminiature basic switches are cost-effective devices used for simple on/off applications. These switches combine small size and light weight with ample electrical capability and long life. Plastic lever capability is available on the ZV Series.

Electrical rating: 0.1 A, 3 A, 5 A or 10.1 A
Voltage: 125/250 Vac
Operating temperature: 25 °C to 85 °C [-13 °F to 185 °F]
Termination: Quick connect, solder, PCB
Contact type: Gold or silver
Switching options: SPDT

ZM Series

Approvals: UL/CSA
Electrical rating: 0.1 A, 5 A or 10.1 A

OPTIONS



Top pin plunger

TERMINATION	ELECTRICAL RATING	CONTACT TYPE	REFERENCE
Quick connect	5 A	silver	ZM50E70A01
Solder	5 A	silver	ZM50E10A01
PCB	10.1 A	silver	ZM90G20A01
Solder	0.1 A	gold	ZM10B10A01

ZX Series

Approvals: UL/CSA
Electrical rating: 0.1 A or 3 A

OPTIONS



Top pin plunger

TERMINATION	ELECTRICAL RATING	CONTACT TYPE	REFERENCE
PCB	3 A	silver	ZX40E30A01
Solder	0.1 A	gold	ZX10C10A01



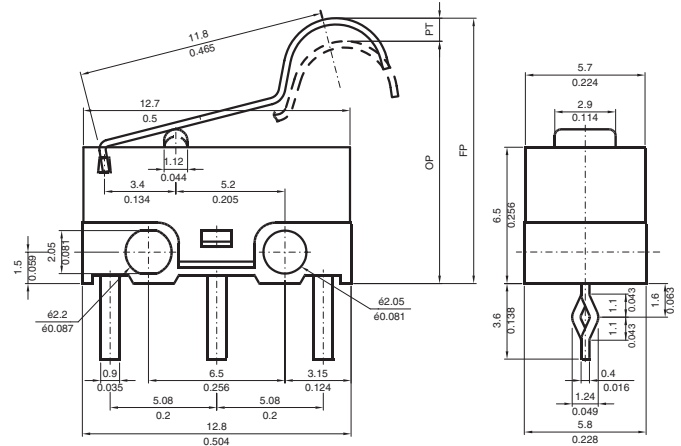
Straight lever

TERMINATION	ELECTRICAL RATING	CONTACT TYPE	REFERENCE
PCB	3 A	silver	ZX40E30C01
Solder	3 A	silver	ZX40E10C01



Straight lever

TERMINATION	ELECTRICAL RATING	CONTACT TYPE	REFERENCE
Quick connect	5 A	silver	ZM50E70D01
Solder	5 A	silver	ZM50E10D01



Simulated roller lever

TERMINATION	ELECTRICAL RATING	CONTACT TYPE	REFERENCE
PCB	3 A	silver	ZX40E30E01
Solder	3 A	silver	ZX40E10E01

ZV Series

Approvals:
Electrical rating:

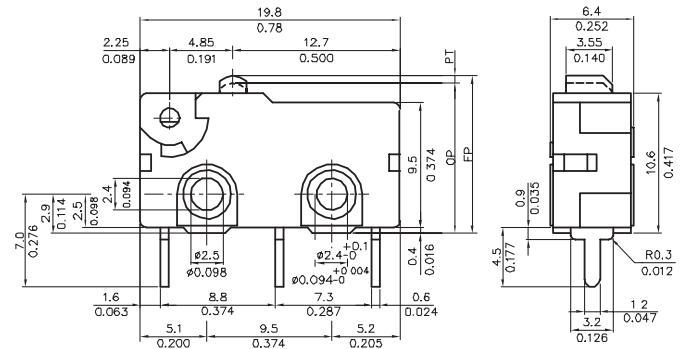
UL/ENEC
0.1 A, 5 A or 10.1 A

OPTIONS



Simulated roller lever

TERMINATION	ELECTRICAL RATING	CONTACT TYPE	REFERENCE
Quick connect	5 A	silver	ZM50E70E01
Solder	5 A	silver	ZM50E10E01



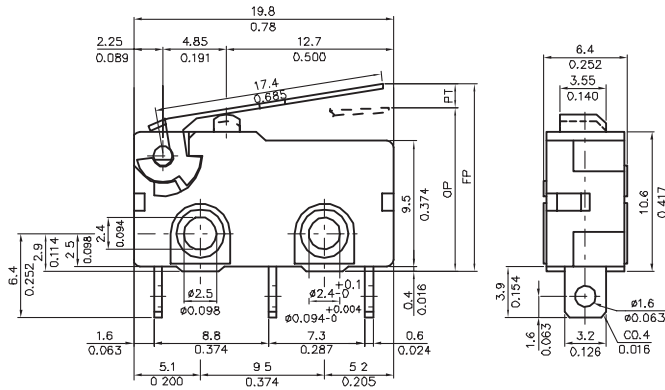
Top pin plunger

TERMINATION	ELECTRICAL RATING	CONTACT TYPE	REFERENCE
PCB	5 A	silver	ZV50E20A01
Solder	5 A	silver	ZV50E10A01
Quick connect	0.1 A	gold	ZV10B70A01

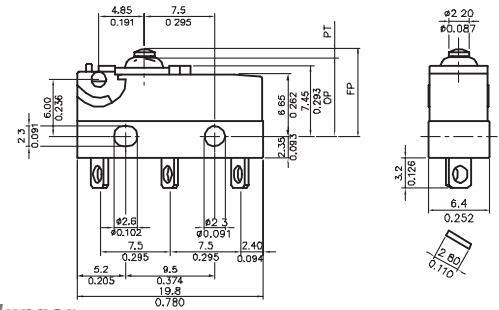
ZW Sealed Series

Approvals:
Electrical rating:
Sealing:

UL/ENEC
 0.1 A or 5 A
 IP50 and IP67



OPTIONS



Straight lever

TERMINATION	ELECTRICAL RATING	CONTACT TYPE	REFERENCE
Solder	5 A	silver	ZV50E10B01
Quick connect	5 A	silver	ZV50E70C01

Top pin plunger

TERMINATION	ELECTRICAL RATING	CONTACT TYPE	REFERENCE
Solder	5 A	silver	ZW50F15AD1

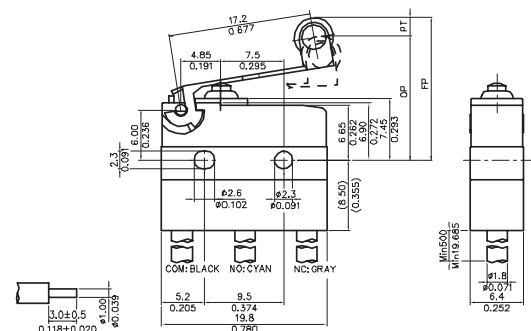


Roller lever

TERMINATION	ELECTRICAL RATING	CONTACT TYPE	REFERENCE
PCB	5 A	silver	ZV50E20F01
Quick connect	5 A	silver	ZV50E70F01

Straight lever

TERMINATION	ELECTRICAL RATING	CONTACT TYPE	REFERENCE
Solder	0.1 A	gold	ZW10E15CD1



Roller lever

TERMINATION	ELECTRICAL RATING	CONTACT TYPE	REFERENCE
Wire leads	0.1 A	gold	ZW10E90F01

V5 Series Miniature Basic Switches

V5 Series basic switches are used for simple or precision on/off, end of limit, presence/absence, pressure, temperature and manual operator interface application needs.

Voltage: 250 Vac
Operating temperature:

-55 °C to 85 °C [-67 °F to 185 °F] (standard)
 -55 °C to 150 °C [-67 °F to 302 °F] (high temperature)

Termination: 6,3 mm x 0,8 mm quick connect (QC)

Contact type: Silver/silver cadmium oxide

Electrical rating: 20 A (V5A)

16 A (V5B/P/R)

10 A (V5C/D)

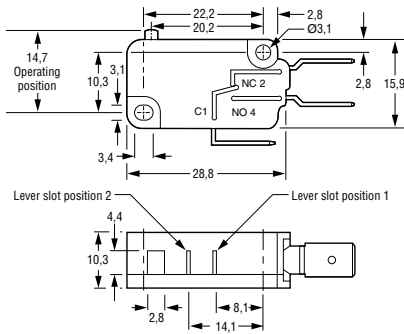
22 A (V5S)

Switching options: SPDT

Single pole double throw (SPDT)

Single pole single throw (SPST) (NO and NC)

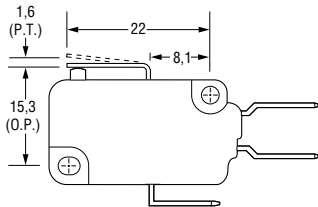
OPTIONS



Top pin plunger

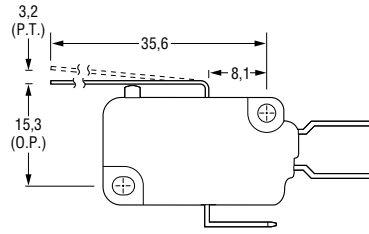
APPROVALS	REFERENCE
CE, ENEC	V5A010CB
CE, CSA, ENEC, UL	V5B010CB3
CE, CSA, UL	V5B010FB3
CE, ENEC	V5B010TB
CE, ENEC	V5B210CB
CE, ENEC	V5C010BB
CE, CSA, ENEC, UL	V5C010EB3
CE, CSA, ENEC, UL	V5C010TB3
CE, ENEC	V5P010CB

APPROVALS	SWITCHING OPTIONS	REFERENCE
CE, ENEC	SPNO	V5D030BB
CE, ENEC	SPNO	V5R030CB
CE, BEAB	SPNC	V5S020CB
CE, BEAB	SPNO	V5S030CB



Straight lever - Type B

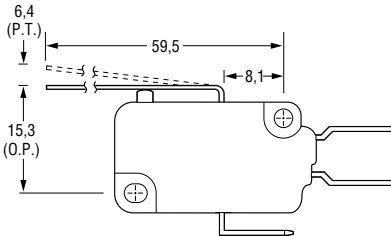
APPROVALS	REFERENCE
CE, CSA, ENEC, UL	V5C010BB3B



Type C

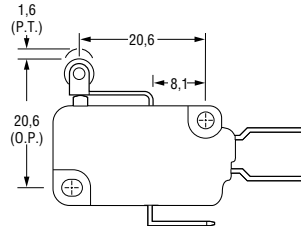
APPROVALS	REFERENCE
CE, ENEC	V5B210CB1C

High temperature



Type G

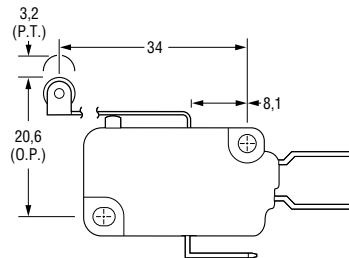
APPROVALS	REFERENCE
CE, ENEC	V5C010BB1G



Roller lever - Type D

APPROVALS	REFERENCE
CE, CSA, ENEC, UL	V5B210CB3D
CE, CSA, ENEC, UL	V5C010BB3D

High temperature



Type E

APPROVALS	REFERENCE
CE, CSA, ENEC, UL	V5A010CB4E
CE, ENEC	V5B210CB1E

Lever position 2
High temperature

V7 Series Miniature Basic Switches

V7 Series basic switches are used for simple or precision on/off, end of limit, presence/absence, pressure, temperature and manual operator interface application needs.

Operating temperature:

-40 °C to 82 °C [-40 °F to 180 °F] (standard)
 -40 °C to 200 °C [-40 °F to 350 °F] (high temperature)

Termination:

Printed circuit board (PCB)
 and two types of quick connect (QC)
 D8, E8: 4,8 mm x 0.5 mm [0.187 in x 0.02 in]
 E9: 6,35 mm x 0,80 mm [0.25 in x 0.032 in]

Electrical rating

V7-*A	5 A
V7-*B	11 A
V7-*C/W	15 A
V7-*D	1 A
V7-*E	10 A
V7-*S	100 mA
V7-*V	21 A
V7-*Z	25 A

Contact Type

Silver
Silver
Silver
Gold alloy
Silver
Gold alloy
Silver alloy
Silver cadmium oxide

Approvals:

V7-*C/W (Electrical ratings)

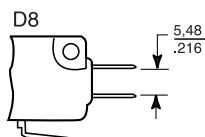
CSA, UL, ENEC
 CSA, UL

Switching options:

Single pole double throw (NO and NC) (SPDT)

AVAILABLE TERMINALS

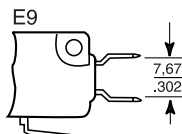
Quick Connect (QC)



0.187 in wide x 0.020 in thick. D8 terminals are European approved when used with electrical ratings A, B, D, E or S. International approval agencies require that switches with these terminals have insulated receptacles or connector.

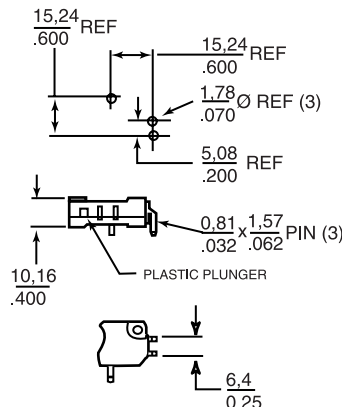


0.187 in wide x 0.020 in thick. E8 terminals are European approved when used with electrical ratings A, B, D, E or S.



0.250 in wide x 0.032 in thick. E9 terminals are European approved when used with electrical ratings A, B, D, E, S, V or Z.

Printed circuit board (P02)



These terminals interface with snap-on receptacles and other components from AMPMODU interconnection system.

PCB terminals are European approved when used with electrical ratings A, B, D, E, S.

ACTUATION OPTIONS



Note: The optional mounting hole dimensions shown above are standard on V5/V7 International Series switches.

Top pin plunger

CURRENT	TERMINATION	REFERENCE
5 A	QC (D8)	V7-1A17D8
5 A	PCB	V7-1A17P02
11 A	QC (D8)	V7-1B17D8
11 A	QC (E9)	V7-1B19E9
15 A	QC (D8)	V7-1C17D8
15 A	QC (E9)	V7-1C17E9
1 A	QC (D8)	V7-1D10D8
0.1 A	QC (D8)	V7-1S17D8
21 A	QC (E9)	V7-1V19E9
25 A	QC (E9)	V7-1Z19E9

**V7 Series Miniature Basic Switches
(continued)**



**Straight lever
Type -002**

ELECTRICAL RATING	TERMINATION	REFERENCE
15 A	QC (D8)	V7-1C17D8-002
15 A	QC (E9)	V7-1C17E9-002
11 A	QC (E9)	V7-2B17E9-002



**Roller lever
Type -201**

ELECTRICAL RATING	TERMINATION	REFERENCE
15 A	QC (D8)	V7-1C17D8-201
15 A	QC (E9)	V7-1C17E9-201
0.1 A	QC (D8)	V7-1S17D8-201
11 A	QC (D8)	V7-2B17D8-201



**Straight lever
Type -022**

ELECTRICAL RATING	TERMINATION	REFERENCE
5 A	QC (D8)	V7-1A17D8-022
11 A	QC (D8)	V7-1B19D8-022
15 A	QC (D8)	V7-1C17D8-022
0.1 A	QC (D8)	V7-1S17D8-022



Type -207

ELECTRICAL RATING	TERMINATION	REFERENCE
11 A	QC (E9)	V7-1B10E9-207
15 A	QC (D8)	V7-1C17D8-207
15 A	QC (E9)	V7-1C17E9-207
0.1 A	QC (D8)	V7-1S17D8-207
21 A	QC (E9)	V7-1V1939-207
5 A	QC (D8)	V7-2A17D8-207
1 A	QC (D8)	V7-7D17D8-207



Type -048

ELECTRICAL RATING	TERMINATION	REFERENCE
11 A	QC(D8)	V7-1B17D8-048
15 A	QC(D8)	V7-1C17D8-048
21 A	QC(E9)	V7-1V19E9-048
11 A	QC(E9)	V7-2B19E9-048
0.1 A	QC(D8)	V7-3S17D8-048
15 A (High temperature)	QC(E9)	V7-9W1AE9-048



**Simulated roller lever
Type -263**

ELECTRICAL RATING	TERMINATION	REFERENCE
11 A	QC (D8)	V7-1B17D8-263
15 A	QC (D8)	V7-1C17D8-263
0.1 A	QC (D8)	V7-1S17D8-263
0.1 A	QC (E9)	V7-3S17E9-263

Turbidity Sensors



APMS-10 Series

The APMS-10 wash process sensor application kit includes the sensor, PC interface and the software required to apply the Honeywell wash process sensor in bath or other wet applications. Once installed, the kit enables the user to begin taking measurements of water quality. To run the wash process application, the user must supply a PC that meets the specified hardware requirements and an 8 Vdc to 30 Vdc power supply. Wash process sensors provide an integrated package of a microprocessor and sensing functions that measures turbidity, conductivity and/or temperature. Information from the sensor may be used in an adaptive control scheme to monitor and control the application process to help improve process quality and minimize consumption of energy, water, materials and time. Each of the sensing functions is conditioned by the internal microprocessor. All data transmitted to the host system is supplied by the microprocessor via a 5 Vdc custom communications protocol. The sensor operates in slave mode, waiting for the host system to request sensor information.

Supply voltage: 8 Vdc to 30 Vdc
Ratio range: 0 NTU to 4000 NTU
Output type: RS-232 Serial link, slave mode



Turbidity sensing provides a quick, practical indication of the relative amount of solids suspended in water or liquids. Conductivity sensing gives a relative measurement of the ionic concentration of a given liquid. Turbidity sensors can provide inputs to the control algorithms of dishwashers and clothes washers. Many industrial and commercial bath applications may make use of integrated turbidity and conductivity sensing to improve product quality, minimize ingredient consumptions and reduce waste water discharge.

Package style: Tank mount
Operating temperature: 20 °C to 60 °C [68 °F to 140 °F]

APMS-10 Kit specifications



REFERENCE
 APMS-10GRCF-KIT

APMS-11 Series

The Low NTU turbidity sensor application kit includes the sensor and installation instructions to apply the sensor in a bath or other wet applications. Once installed, the sensor enables the user to measure the relative amount of particulate in solution. To run the application, the user must supply a 5 Vdc power supply that meets the specified tolerance and solicits analog output from the output pin of the device. Low NTU turbidity sensors provide an integrated package of optic devices, amplification and trim potentiometer capability. This sensor may be used in an adaptive control scheme to monitor and control the wash process to help improve process quality and minimize consumption of energy, water, materials and time.

Supply voltage: 4.9 Vdc to 5.1 Vdc
Ratio range: 0 NTU to 600 NTU
Output type: 0 Vdc to 5 Vdc analog



REFERENCE
 APMS-11GRCF-KIT

APMS-11 Kit - Typical output curve between 0 NTU and 600 NTU



Scatter turbidity sensor operation



Typical output curve between 0 NTU and 200 NTU



Index

103SR13A-1	72	135-102DAG-J01	21	143-302LAG-RC1	23
103SR14A-1	72	135-103FAF-J01	21	143-303QAG-RC1	23
103SR17A-1	72	135-103FAG-J01	21	143-501FAG-RC1	23
103SR18A-1	72	135-103LAF-J01	21	143-502LAG-RC1	23
103SR19A-1	72	135-103LFW-J01	21	143-503QAG-RC1	23
111-103EAJ-H01	25	135-104LAF-J01	21	143PC03D	10
111-104HAK-H01	25	135-104LAG-J01	21	143PC05DW	10
111-202CAK-B01	25	135-104LFW-J01	21	145-101FAG-RC1	24
111-202CAK-H01	25	135-105QAG-J01	21	145-102LAG-RC1	24
111-303EAK-B01	25	135-202FAG-J01	21	145-103QAG-RC1	24
111-802EAJ-B01	25	135-203LAG-J01	21	145-201FAG-RC1	24
111-802EAJ-H01	25	135-203LFW-J01	21	145-301FAG-RC1	24
111SM1	92	135-204QAG-J01	21	145-302LAG-RC1	24
111SM2-T	92	135-302FAG-J01	21	145-303QAG-RC1	24
112-102EAJ-B01	24	135-303KAG-J01	21	145-501FAG-RC1	24
112-103FAJ-B01	24	135-303LFW-J01	21	145-502LAG-RC1	24
112-103FAJ-H01	24	135-502FAF-J01	21	145-503QAG-RC1	24
112-104KAJ-B01	24	135-502FAG-J01	21	162PC01D	10
112-104KAJ-H01	24	135-503LAF-J01	21	163PC01D36	10
112-105PAJ-B01	24	135-503LAG-J01	21	163PC01D48	10
112-201BAJ-B01	24	135-503LFW-J01	21	163PC01D61	10
112-202EAJ-B01	24	135-504QAG-J01	21	163PC01D75	10
112-202EAJ-H01	24	140-102FAG-RB1	23	164PC01D37	10
112-203HAJ-B01	24	140-103LAG-RB1	23	164PC01D76	10
112-204KAJ-B01	24	140-104QAG-RB1	23	1865-01G-K-N	17
112-502EAJ-B01	24	140-302LAG-RB1	23	1865-01G-L-N	17
112-502EAJ-H01	24	140-501FAG-RB1	23	1865-02G-K-N	17
112-503JAJ-B01	24	140-502LAG-RB1	23	1865-02G-L-N	17
112-504NAJ-B01	24	140-503QAG-RB1	23	1865-03G-K-N	17
112-604NAJ-H01	24	141PC15G 10	11	1865-03G-L-N	17
115-202CDK-801	26	142-102FAG-RB1	24	1865-04G-K-N	17
115-802EDJ-801	26	142-103LAG-RB1	24	1865-04G-L-N	17
11SM1	92	142-104QAG-RB1	24	1865-05G-K-N	17
11SM601-H4	92	142-302LAG-RB1	24	1865-05G-L-N	17
11SX1-T	92	142-501FAG-RB1	24	192-102DET-A01	23
120-102EAJ-Q01	25	142-502LAG-RB1	24	192-102DEV-A01	23
120-103FAJ-Q01	25	142-503QAG-RB1	24	192-102DEW-A01	23
120-104KAJ-Q01	25	142PC01D	10	192-103LET-A01	23
120-202EAJ-Q01	25	142PC01G	10	192-103LEV-A01	23
120-502JAJ-Q01	25	142PC02G	10	192-103LEW-A01	23
121-102EAJ-Q01	25	142PC05D	10	192-104QET-A01	23
121-103FAJ-Q01	25	142PC05D97	10	192-104QEV-A01	23
121-104KAJ-Q01	25	142PC05G	10	192-104QEW-A01	23
121-105PAJ-Q01	25	142PC15A	10	192-222LET-A01	23
121-106QAJ-Q01	25	142PC15AW95	10	192-222LEV-A01	23
121-202EAJ-Q01	25	142PC15G	10	192-222LEW-A01	23
121-202KAJ-Q01	25	143-101FAG-RC1	23	192-302LET-A01	23
121-502EAJ-Q01	25	143-102LAG-RC1	23	192-302LEV-A01	23
121-502JAJ-Q01	25	143-103QAG-RC1	23	192-302LEW-A01	23
121-504NAJ-Q01	25	143-201FAG-RC1	23	192-303KET-A01	23

192-303KEV-A01	23	199-203LAG-A01	22	3100U-3-1439	33
192-303KEW-A01	23	199-301CAG-A01	22	3100U-3-1440	33
192-303QET-A01	23	199-302LAG-A01	22	3100U-3-1441	33
192-303QEV-A01	23	199-303KAG-A01	22	3100U-3-1442	33
192-303QEW-A01	23	199-501DAG-A01	22	3100U-3-1443	33
192-502LET-A01	23	199-502LAG-A01	22	3100U-3-1444	33
192-502LEV-A01	23	199-503QAG-A01	22	3100U-3-1445	33
192-502LEW-A01	23	1SX1-T	92	3100U-3-1446	33
192-503QET-A01	23	1TB1-2	91	3100U-3-1447	33
192-503QEV-A01	23	24PC01SMT	5	3100U-3-1448	33
192-503QEW-A01	23	24PC05SMT	5	3100U-3-1449	33
195-101CAG-A01	22	24PC15SMT	5	3100U-3-1450	33
195-102DAG-A01	22	24PCAF6G	4	3100U-3-1451	33
195-103LAG-A01	22	24PCBFA6D	4	3100U-3-1452	33
195-104QAG-A01	22	24PCBFA6G	4	3100U-3-1453	33
195-202LAG-A01	22	24PCCFA6D	4	3100U-3-1454	33
195-203LAG-A01	22	24PCCFA6G	4	3100U-3-1455	33
195-301CAG-A01	22	24PCCFG6G	4	3100U-3-1456	33
195-302LAG-A01	22	24PCDFA6D	4	3100U-3-1457	33
195-303KAG-A01	22	24PCDFA6G	4	3100U-3-1458	33
195-501DAG-A01	22	24PCDFG6G	4	3100U-3-1459	33
195-502LAG-A01	22	24PCEFA6D	4	3100U-3-1460	33
195-503QAG-A01	22	24PCEFA6G	4	3100U-3-1461	33
197-101CAG-A01	22	24PCFFA6D	4	3100U-3-1462	33
197-102DAG-A01	22	24PCFFA6G	4	3100U-3-1463	33
197-103LAG-A01	22	26PC01SMT	5	3455RC-100-220	32
197-104QAG-A01	22	26PC15SMT	5	3455RC-100-221	32
197-202LAG-A01	22	26PCAF6D	4	3455RC-100-222	32
197-203LAG-A01	22	26PCAF6G	4	3455RC-100-223	32
197-301CAG-A01	22	26PCAFG6G	4	3455RC-100-224	32
197-302LAG-A01	22	26PCBFA6D	4	3455RC-100-225	32
197-303KAG-A01	22	26PCBFA6G	4	3455RC-100-226	32
197-501DAG-A01	22	26PCCFA6D	4	3455RC-100-227	32
197-502LAG-A01	22	26PCCFA6G	4	3455RC-100-228	32
197-503QAG-A01	22	26PCCFG6G	4	3455RC-100-229	32
198-101CAG-A01	22	26PCDFA6D	4	3455RC-100-230	32
198-102DAG-A01	22	26PCDFA6G	4	3455RC-100-231	32
198-103LAG-A01	22	26PCDFG2G	5	3455RC-100-232	32
198-104QAG-A01	22	26PCFFA6G	4	3455RC-100-233	32
198-202LAG-A01	22	26PCFFG6G	4	3455RC-100-234	32
198-203LAG-A01	22	26PCFFU5G	5	3455RC-100-235	32
198-301CAG-A01	22	26PCGFA6D	4	3455RC-100-236	32
198-302LAG-A01	22	2SS52M	71	3455RC-100-237	32
198-303KAG-A01	22	2SS52M-S	71	3455RC-100-238	32
198-501DAG-A01	22	3100U-3-1431	33	3455RC-100-239	32
198-502LAG-A01	22	3100U-3-1432	33	3455RC-100-240	32
198-503QAG-A01	22	3100U-3-1433	33	3455RC-100-241	32
199-101CAG-A01	22	3100U-3-1434	33	3455RC-100-242	32
199-102DAG-A01	22	3100U-3-1435	33	3455RC-100-243	32
199-103LAG-A01	22	3100U-3-1436	33	3455RC-100-244	32
199-104QAG-A01	22	3100U-3-1437	33	3455RC-100-245	32
199-202LAG-A01	22	3100U-3-1438	33	3455RC-100-246	32

3455RC-100-247	32	ASDX005G24R	8	BZ-2RW826-A2	90
3455RC-100-248	32	ASDX015A24R	8	BZ-2RW84-A2	90
3455RC-100-249	32	ASDX015D44D-DO	8	BZ-2RW863-A2	90
3455RC-100-250	32	ASDX015D44R	8	BZ-R	89
3455RC-100-251	32	ASDX015D44R-DO	8	BZ-R-A2	89
3600040010001	33	ASDX015G24R	8	BZ-R169	89
3600045010001	33	ASDX030A24R	8	CPCL04DFC	6
3600050010001	33	ASDX030D44R	8	CPCL04GFC	6
3600055010001	33	ASDX030G24R	8	CPCL10DF	6
3600060010001	33	ASDX100A24R	8	CPCL10DFC	6
3600065010001	33	ASDX100D44R	8	CPXL04DF	6
3600070010001	33	ASDX100G24R	8	CSDA1AA	86
3600075010001	33	ASDXL005D44D-DO	9	CSDA1AC	86
3600080010001	33	ASDXL010D44D	9	CSDA1BA	86
3600085010001	33	ASDXL010D44D-DO	9	CSDA1BC	86
3600090010001	33	ASDXL010D44R	9	CSDA1DA	86
3600095010001	33	ASDXL010D44R-DO	9	CSDA1DC	86
3600100010001	33	ASDXL010G24R	9	CSDC1AA	86
3601040010001	33	ASDXL010G25R-DO	9	CSDC1AC	86
3601045010001	33	AWM2100V	13	CSDC1BA	86
3601050010001	33	AWM2200V	13	CSDC1BC	86
3601055010001	33	AWM2300V	13	CSDC1DA	86
3601060010001	33	AWM3100V	13	CSDC1DC	86
3601065010001	33	AWM3200V	13	CSLA1CD	85
3601070010001	33	AWM3300V	13	CSLA1CF	85
3601075010001	33	AWM42150VH	14	CSLA1CH	85
3601080010001	33	AWM42300V	14	CSLA1DE	84
3601085010001	33	AWM43300V	14	CSLA1DJ	84
3601090010001	33	AWM43600V	14	CSLA1DK	84
3601095010001	33	AWM5101VN	14	CSLA1EL	85
3601100010001	33	AWM5102VN	14	CSLA1GD	85
40PC001B1A	11	AWM5104VC	14	CSLA2CD	85
40PC006G1A	11	AWM5104VN	14	CSLA2DE	84
40PC015G1A	11	AWM720P1	15	CSLA2DG	84
40PC015V1A	11	AWM92100V	15	CSLA2DJ	84
40PC030G1A	11	AWM92200V	15	CSLA2DK	84
40PC100G1A	11	BA-2RB-A2	89	CSLA2EJ	85
40PC150G1A	11	BA-2RQ1-A2	89	CSLA2EL	85
40PC250G1A	11	BA-2RV-A2	90	CSLA2EM	85
40PC500G1A	11	BE-2R-A4	89	CSLA2EN	85
513SS16	71	BZ-2R-A2	89	CSLA2GD	85
517SS16	71	BZ-2RD-A2	89	CSLH3A45	85
55SS13	71	BZ-2RDS-A2	90	CSNA111	82
613SS2	71	BZ-2RDS-A2S	90	CSNB121	82
65SS4	71	BZ-2RQ1-A2	89	CSNB131	82
6SX7-T	92	BZ-2RQ18-A2	90	CSNC241	82
APMS-10GRCF-KIT	99	BZ-2RQ181-A2	90	CSNE151	82
APMS-11GRCF-KIT	100	BZ-2RW80-A2	90	CSNE151-100	82
ASDX001D44D-DO	8	BZ-2RW82-A2	90	CSNE151-200	82
ASDX001D44R	8	BZ-2RW822	90	CSNF151	82
ASDX001G24R	8	BZ-2RW822-A2	90	CSNF161	82
ASDX005D44R	8	BZ-2RW8225551-A2	90	CSNF161-002	83

CSNG251	82	HEL-707-U-1-12-00	20	HPX015GD	11
CSNJ481	83	HEL-711-T-0-12-00	20	HPX030AS	11
CSNJ481-001	83	HEL-711-T-1-12-00	20	HPX030GD	11
CSNK500M	83	HEL-711-U-0-12-00	20	HPX050GD	11
CSNK500M-001	83	HEL-711-U-1-12-00	20	HPX100AS	11
CSNK591	84	HEL-712-T-0-12-00	20	HPX100GD	11
CSNK591-001	84	HEL-712-T-1-12-00	20	HSD015A	12
CSNP661	82	HEL-712-U-0-12-00	20	ICL1010002-01	26
CSNP661-002	82	HEL-712-U-1-12-00	20	ICL1010004-01	26
CSNR151	82	HEL-716-T-0-12-00	20	ICL1210005-01	26
CSNR151-002	83	HEL-716-T-1-12-00	20	ICL1220002-01	26
CSNR161	82	HEL-716-U-0-12-00	20	ICL122R508-01	26
CSNR161-002	83	HEL-716-U-1-12-00	20	ICL1240002-01	26
CSNS300F	83	HEL-716-U-1-12-C2	20	ICL1250002-01	26
CSNS300M	83	HEL-717-T-0-12-00	20	ICL1510006-01	26
CSNS300M-001	83	HEL-717-T-1-12-00	20	ICL1512004-01	26
CSNT651	82	HEL-717-U-0-12-00	20	ICL1516004-01	26
CSNT651-001	82	HEL-717-U-1-12-00	20	ICL1522102-01	26
DC001NDC4	6	HIH-3602-A	18	ICL152R508-01	26
DC005NDR4	6	HIH-3602-C	18	ICL155R006-01	26
DCXL01DN	6	HIH-3602-L	18	ICL155R007-01	26
DCXL10DN	6	HIH-4000-001	18	ICL1580003-01	26
DT-2R-A7	91	HIH-4000-002	18	ICL2210008-01	26
DUXL01D	6	HIH-4000-003	18	ICL2212103-01	26
DUXL10D	6	HIH-4000-004	18	ICL221R020-01	26
DXXX-001	30	HLC1395-002	77	ICL222R018-01	26
DXXX-002	30	HLC2705-001	76	ICL222R515-01	26
DXXX-003	30	HLC2707-001	76	ICL321R030-01	26
FS300-100	64	HOA0149-001	77	ICL320R530-01	26
FSG15N1A	16	HOA0866-T55	78	LLE103000	88
Heaters		HOA0870-N51	78	LLE103101	88
3100 Silicone Wired-wound	66	HOA0880-P51	78	LLE105000	88
3200 Silicone Chemically Etched	66	HOA0890-L55	78	LLE105100	88
3400 Kapton or High Temperature	67	HOA0901-011	76	LLE205000	88
78000 Transparent	67	HOA0902-011	76	LLE305000	88
HEL-700-T-0-A	19	HOA0961-N51	79	LLN8651721	88
HEL-700-T-0-B	19	HOA0971-N51	79	LLN8651722	88
HEL-700-T-1-A	19	HOA1180-002	77	RDXXX-001	31
HEL-700-T-1-B	19	HOA1397-002	77	RDXXX-002	31
HEL-700-U-0-A	19	HOA1405-002	77	SD1440-003L	75
HEL-700-U-0-B	19	HOA1870-031	78	SD2440-004	75
HEL-700-U-0-C	19	HOA1877-001	78	SD3443-003	75
HEL-700-U-1-A	19	HOA1879-015	78	SD5443-003	75
HEL-700-U-1-B	19	HOA1882-012	78	SD5600-001	76
HEL-700-U-1-C	19	HOA2498-002	77	SD5610-001	76
HEL-705-T-0-12-00	20	HOA6963-N51	79	SD5620-001	76
HEL-705-T-1-12-00	20	HOA6972-N55	79	SD5630-001	76
HEL-705-U-0-12-00	20	HOA6981-L51	79	SDP8405-003	75
HEL-705-U-1-12-00	20	HOA6990-T51	79	SDP8406-002	75
HEL-707-T-0-12-00	20	HOA7720-M22	79	SDP8436-003	75
HEL-707-T-1-12-00	20	HOA7730-M22	79	SDP8600-001	76
HEL-707-U-0-12-00	20	HPX005GD	11	SDX010IND4	11

SDX05D4	10	SS51T	68	3200 Aerospace	63
SDX15A2	10	SS541AT	68	3MS1 QPL Military	63
SDX15D4-A	10	SS543AT	68	3500 Military	64
SE1450-003L	74	SS549AT	68	3153 Low Silhouette	64
SE1470-003L	74	SS561AT	68	Thermostats - Precision	
SE2460-003	74	SS566AT	68	3000 Custom-packaged	45
SE2470-002	74	SS59ET	69	3001 Non-hermetic	42
SE3455-004	74	SS94A1	70	3001U Non-hermetic	42
SE3470-003	74	SS94A1B	70	3004 Non-hermetic	42
SE5455-003	74	SS94A1E	70	3100 Hermetic	43
SE5470-004	74	SS94A1F	70	3100U Hermetic	43
SEP8505-003	74	SS94A2	70	3100UX Hermetic	43
SEP8506-002	74	SS94A2C	70	3106 Hermetic	43
SEP8705-003	74	SS94A2D	70	3150 Low Silhouette Hermetic	43
SEP8736-003	74	SS94B1	70	3150U Low Silhouette Hermetic	43
SMD2440-012	75	SS94B1A	70	3150UX Low Silhouette Hermetic	43
SME2470-021	74	TD4A	20	3156 Low Silhouette Hermetic	43
SR13C-A1	72	TD5A	20	3156U Low Silhouette Hermetic	43
SR13D-A1	72	Temperature - Probes		3450CM Ceramic Manual Reset	47
SR13F-A1	72	Air Conditioning	28	3450HR Phenolic Automatic Reset	46
SR13R-A1	72	Air/Gas	29	3450R Phenolic Automatic Reset	46
SR16C-J4	73	Earth Return (Ground)	28	3450R Phenolic "One-shot" ½ in	48
SR16C-J6	73	ES110 Inlet Air	27	3450RC Ceramic Automatic Reset	47
SR16C-N	73	ES120 Coolant/Oil	27	3450RC Ceramic "One-shot" ½ in	48
SR17C-J6	73	Immersion	29	3450RCH Ceramic Automatic Reset ...	47
SR17C-J7	73	Refrigerant	28	3450RCH Ceramic "One-shot" ½ in	48
SR3B-A1	72	Surface	28	3455R Phenolic Automatic Reset	46
SR3C-A1	72	Thermostats - Commerical		3455R Phenolic "One-shot" ½ in	49
SR3F-A1	72	2450CM Ceramic Manual Reset	35	3455RC Ceramic Automatic Reset	47
SR3G-A1	72	2450HR Phenolic Automatic Reset	34	3455RC Ceramic "One-shot" ½ in	49
SR4P3-A1	72	2450R Fully Sealed	37	3455RBV Overmolded Auto. Reset	48
SS40A	69	2450R Phenolic Annular Auto. Reset .	37	3455RM Phenolic Manual Reset	47
SS40A-F	69	2450R Phenolic Automatic Reset	34	3600 TO-5 Thermal	44
SS40A-T2	69	2450R Phenolic "One-shot" ½ in	36	3601 TO-5 Thermal	44
SS40A-T3	69	2450R Protected	37	3800 Industrial Grade	46
SS41	68	2450RC Ceramic Automatic Reset	35	Standard Mounting Bracket Guide	51
SS411A	68	2450RCH Ceramic Automatic Reset ...	35	Standard Terminal Guide	50
SS413A	68	2450RCH Ceramic "One-shot" ½ in	36	V5A010CB	96
SS441A	68	2450A Heat Detection	36	V5A010CB4E	96
SS443A	68	2455A Heat Detection	36	V5B010CB3	96
SS449A	68	2455R Phenolic Automatic Reset	34	V5B010FB3	96
SS461A	68	2455R Phenolic "One-shot" ½ in	36	V5B010TB	96
SS466A	68	2455R Protected	37	V5B210CB	96
SS495A	70	2455RBV Overmolded Auto.Reset	36	V5B210CB1C	96
SS495A-SP	70	2450RC Ceramic Automatic Reset	35	V5B210CB1E	96
SS495A1-S	70	2455RC Ceramic "One-shot" ½ in	36	V5B210CB3D	96
SS496A1	70	2455RM Phenolic Manual Reset	35	V5C010BB	96
SS49E-L	69	2467RC Ceramic "One-shot" ½ in	36	V5C010BB1G	96
SS49E-T2	69	2467RCH Ceramic "One-shot" ½ in	36	V5C010BB3B	96
SS49E-T3	69	Standard Mounting Bracket Guide	40	V5C010BB3D	96
SS511AT	68	Standard Terminal Guide	38	V5C010EB3	96
SS513AT	68	Thermostats - High Reliability		V5C010TB3	96

V5D030BB	96	V7-2S17D8	97	ZW10E15CD1	95
V5P010CB	96	V7-2S17D8-022	98	ZW10E90FW1	95
V5R030CB	96	V7-2S17D8-201	98	ZW50F15AD1	95
V5S020CB	96	V7-2S17D8-263	98	ZX10C10A01	93
V5S030CB	96	V7-3A17D8	97	ZX40E10C01	93
V7-1A17D8	97	V7-3E10E8	97	ZX40E10E01	94
V7-1A17D8-022	98	V7-3E10E9	97	ZX40E30A01	93
V7-1A17P02	97	V7-3E17D8	97	ZX40E30C01	93
V7-1B10E9-207	98	V7-3E17E9	97	ZX40E30E01	94
V7-1B17D8	97	V7-3E17E9-022	98		
V7-1B17D8-048	98	V7-3E19E9	97		
V7-1B17D8-263	98	V7-3S17D8-022	98		
V7-1B19D8-022	98	V7-3S17D8-048	98		
V7-1B19E9	97	V7-3S17E9	97		
V7-1C17D8	97	V7-3S17E9-022	98		
V7-1C17D8-002	98	V7-3S17E9-263	98		
V7-1C17D8-022	98	V7-4A17D8	97		
V7-1C17D8-048	98	V7-4A18E9	97		
V7-1C17D8-201	98	V7-4S17D8	97		
V7-1C17D8-207	98	V7-5D17E9	97		
V7-1C17D8-263	98	V7-6B19D8	97		
V7-1C17E9	97	V7-6C17D8	97		
V7-1C17E9-002	98	V7-6C17D8-263	98		
V7-1C17E9-201	98	V7-6C18D8-002	98		
V7-1C17E9-207	98	V7-6C18D8-048	98		
V7-1C18E9	97	V7-7A19D8	97		
V7-1C18E9-022	98	V7-7B17D8-201	98		
V7-1D10D8	97	V7-7B19D8-263	98		
V7-1E10D8	97	V7-7D17D8-207	98		
V7-1E17P02	97	V7-9W1AE9-048	98		
V7-1E19E9	97	XCA415AN	7		
V7-1S17D8	97	XCX01DNC	7		
V7-1S17D8-022	98	XCX01DNH	7		
V7-1S17D8-201	98	XCX15DNC	7		
V7-1S17D8-207	98	XPC01DFC	7		
V7-1S17D8-263	98	XPC15DTC	7		
V7-1V19E9	97	XSSL04GF	7		
V7-1V19E9-048	98	ZM10B10A01	93		
V7-1V19E9-207	98	ZM50E10A01	93		
V7-1Z19E9	97	ZM50E10D01	92		
V7-2A17D8-022	98	ZM50E10E01	94		
V7-2A17D8-207	98	ZM50E70A01	93		
V7-2A17E9	97	ZM50E70D01	92		
V7-2B17D8	97	ZM50E70E01	94		
V7-2B17D8-022	98	ZM90G20A01	93		
V7-2B17D8-048	98	ZV10B70A01	94		
V7-2B17D8-201	98	ZV50E10A01	94		
V7-2B17D8-207	98	ZV50E10B01	95		
V7-2B17E9	97	ZV50E20A01	94		
V7-2B17E9-002	98	ZV50E20F01	95		
V7-2B17P02	97	ZV50E70C01	95		
V7-2B19E9-048	98	ZV50E70F01	95		



Honeywell

www.honeywell.com/sensing

Honeywell Sensing and Control designs, manufactures and markets the industry's most extensive line of sensing and control technologies available from a single switch or sensor manufacturer. You can trust Honeywell for developing the right products for your applications.

Warranty/Remedy

Honeywell warrants goods of its manufacture as being free of defective materials and faulty workmanship. Honeywell's standard product warranty applies unless agreed to otherwise by Honeywell in writing; please refer to your order acknowledgement or consult your local sales office for specific warranty details. If warranted goods are returned to Honeywell during the period of coverage, Honeywell will repair or replace, at its option, without charge those items it finds defective.

The foregoing is buyer's sole remedy and is in lieu of all warranties, expressed or implied, including those of merchantability and fitness for a particular purpose. In no event shall Honeywell be liable for consequential, special, or indirect damages.

While we provide application assistance personally, through our literature and the Honeywell web site, it is up to the customer to determine the suitability of the product in the application.

Specifications may change without notice. The information we supply is believed to be accurate and reliable as of this printing. However, we assume no responsibility for its use.

Sales and Service

Honeywell serves its customers through a worldwide network of sales offices, representatives and distributors. For application assistance, current specifications, pricing or name of the nearest Authorized Distributor, contact your local sales office or:

E-mail: info.sc@honeywell.com

Internet: www.honeywell.com/sensing

Phone and Fax:

Asia Pacific	+65 6355-2828
	+65 6445-3033 Fax
Europe	+44 (0) 1698 481481
	+44 (0) 1698 481676 Fax
Latin America	+1-305-805-8188
	+1-305-883-8257 Fax
USA/Canada	+1-800-537-6945
	+1-815-235-6847
	+1-815-235-6545 Fax

Automation and Control Solutions

Sensing and Control
Honeywell
11 West Spring Street
Freeport, Illinois 61032 USA
www.honeywell.com

100455-3-EN IL50 GLO
May 2005
© 2005 Honeywell International Inc. All rights reserved.

Honeywell

Компания «Life Electronics» занимается поставками электронных компонентов импортного и отечественного производства от производителей и со складов крупных дистрибьюторов Европы, Америки и Азии.

С конца 2013 года компания активно расширяет линейку поставок компонентов по направлению коаксиальный кабель, кварцевые генераторы и конденсаторы (керамические, пленочные, электролитические), за счёт заключения дистрибьюторских договоров

Мы предлагаем:

- Конкурентоспособные цены и скидки постоянным клиентам.
- Специальные условия для постоянных клиентов.
- Подбор аналогов.
- Поставку компонентов в любых объемах, удовлетворяющих вашим потребностям.
- Приемлемые сроки поставки, возможна ускоренная поставка.
- Доставку товара в любую точку России и стран СНГ.
- Комплексную поставку.
- Работу по проектам и поставку образцов.
- Формирование склада под заказчика.
- Сертификаты соответствия на поставляемую продукцию (по желанию клиента).
- Тестирование поставляемой продукции.
- Поставку компонентов, требующих военную и космическую приемку.
- Входной контроль качества.
- Наличие сертификата ISO.

В составе нашей компании организован Конструкторский отдел, призванный помогать разработчикам, и инженерам.

Конструкторский отдел помогает осуществить:

- Регистрацию проекта у производителя компонентов.
- Техническую поддержку проекта.
- Защиту от снятия компонента с производства.
- Оценку стоимости проекта по компонентам.
- Изготовление тестовой платы монтаж и пусконаладочные работы.



Тел: +7 (812) 336 43 04 (многоканальный)

Email: org@lifeelectronics.ru