

NCL30185FLYGEVB, NCL30188FLYGEVB

10 W High Power Factor Isolated LED Driver Evaluation Board User's Manual



ON Semiconductor®

www.onsemi.com

EVAL BOARD USER'S MANUAL

Overview

This manual covers the specification, theory of operation, testing and construction of the NCL30185/88FLYGEVB demonstration board. The NCL30185/88 board demonstrates a 10 W high PF isolated flyback LED driver in a typical A19 outline. The 2 demo boards are nearly identical in construction except for the controller and Vcc bulk capacitor. The NCL30188 controller is a non-dimming version while the NCL30185 supports 3 levels of step dimming.

Specifications

Input voltage (Class 2 Input, no ground)	90 – 265 V ac	
Line Frequency	50 Hz/60 Hz	
Power factor (100% Load)	0.9	Min
THD (100% Load)	20%	Max
Class 2 Output Mains Isolated		
Output Voltage Range	14 – 28 V dc	
Output Current	350 mA dc	±2%
Efficiency	85%	Typ.
Start Up Time	< 500 msec	Typ.
EMI (conducted)	Class B	FCC/CISPR

As illustrated, the key features of this demo board include:

- Wide Mains
- Low THD across line and load
- High Power Factor across wide line and load
- Integrated auto recovery fault protection (can be latched by choice A version)
 - ◆ Programmable over temperature thermal foldback (NTC mounted on PCB)
 - ◆ Cycle by cycle current limiting
 - ◆ Open LED and shorted output protection

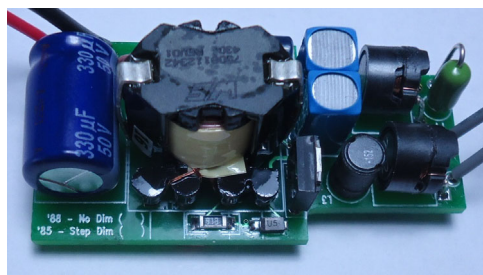


Figure 1. NCL30185FLYGEVB/
NCL30188FLYGEVB
Evaluation Board

THEORY OF OPERATION

Power Stage

The power stage for the demo boards is an isolated flyback. The controller has a built in control algorithm that is specific to the flyback transfer function. Specifically:

$$\frac{V_{out}}{V_{in}} = \frac{Duty}{(1 - Duty)} \quad (eq. 1)$$

This is applicable to flyback, buck boost, and SEPIC converters. The control is very similar to the control of the NCL30080–83 with the addition of a power factor correction control loop. The controller has a built in hardware algorithm that relates the output current to a reference on the primary side.

$$I_{out} = \frac{V_{ref} \times N_{ps}}{2 \times R_{sense}} \quad (eq. 2)$$

$$N_{ps} = \frac{N_{pri}}{N_{sec}} \quad (eq. 3)$$

Where N_{pri} = Primary Turns & N_{sec} = Secondary Turns

We can now find R_{sense} for a given output current.

$$R_{sense} = \frac{V_{ref} \times N_{ps}}{2 \times I_{out}} \quad (eq. 4)$$

Line Feedforward

R3 sets the line feedforward which compensates for power stage delay times by reducing the current threshold as the line voltage increases. R3 is also used by the shorted pin detection. At start up the controller generates a current from the CS pin to check for a short to ground. If R3 is zero, the current sense resistor is too low a value and the controller will not start because it will detect a shorted pin. So R3 is required to make the controller operate properly.

Voltage Sense

The voltage sense pin has several functions:

1. Basis for the reference of the PFC control loop
2. Line Range detection

The reference scaling is automatically controller inside the controller. While the voltage on V_s is not critical for the PFC loop control it is important for range detection. Generally the voltage on V_s should be 3.5 V peak at the highest input voltage of interest. The voltage on V_s determines which valley the power stage will operate at in full load. At low line and maximum load, the power stage operates in the first valley (standard CrM operation). At the higher line range, the power stage moves to the second valley to lower the switching frequency while retaining the advantage of CrM soft switching.

Auxiliary Winding

The auxiliary winding has 3 functions:

1. CrM timing
2. Vcc Power
3. Output voltage sense

CrM Timing

In the off time, the voltage on the transformer/inductor forward biases D_{out} and D_9 . When the current in the magnetic has reached zero, the voltage collapses to zero. This voltage collapse triggers a comparator on the ZCD pin to start a new switching cycle. The ZCD pin also counts rings on the auxiliary winding for higher order valley operation. A failure of the ZCD pin to reach a certain threshold also indicates a shorted output condition fault.

Vcc Power

The auxiliary winding forward biases D_9 to provide power for the controller. This arrangement is called a “bootstrap”. Initially the C_{vcc} is charged through R4 and R5. When the voltage on C_{vcc} reaches the startup threshold, the controller starts switching and providing power to the output circuit and the C_{vcc} . C_{vcc} discharges as the controller draws current. As the output voltage rises, the auxiliary winding starts to provide all the power to the controller. Ideally, this happens before C_{vcc} discharges to the undervoltage threshold where the controller stops operating to allow C_{vcc} to recharge once again. The size of the output capacitor will have a large effect on the rise of the output voltage. Since the LED driver is a current source, the rise of output voltage is directly dependent on the size of the output capacitor.

There are tradeoffs in the selection of C_{out} and C_{vcc} . A low output ripple will require a large C_{out} value. This requires that C_{vcc} be large enough to support V_{cc} power to the controller while C_{out} is charging up. A large value of C_{vcc} requires that R4 and R5 be lower in value to allow a fast enough startup time. Smaller values of R4 and R5 have higher static power dissipation which lowers efficiency of the driver.

Output Voltage Sense

The auxiliary winding voltage is proportional to the output voltage by the turns ratio of the output winding and the auxiliary winding. The controller has an overvoltage limit on the V_{cc} pin at about 26 V minimum. Above that threshold, the controller will stop operation and enter a fault mode for overvoltage. This is the open load protection.

In cases where the output has a lot of ripple current and the LED has high dynamic resistance, the peak output voltage can be much higher than the average output voltage. The auxiliary winding will charge the C_{vcc} to the peak of the output voltage which may trigger the OVP sooner than expected.

SD Pin

The SD pin is a multifunction protection input.

1. Thermal Foldback protection
2. Programmable OVP

Thermal Foldback

The OCV of the SD pin is 1.35 V. There is an internal current source connected to the SD pin even though the voltage is soft clamped to 1.35 V. Output current is reduced when the voltage on the SD pin drops below 1 V. Placing an NTC on the SD pin will allow the designer to choose the level of protection from over temperature. Below 0.5 volts on SD, the controller stops. Series or parallel resistors on the NTC can shape the foldback curve. An online EXCEL[®] based design tool is available at onsemi.com which provides support to select the appropriate value.

Programmable OVP

While the SD pin has a current source for the OTP, it can be overcome raising the voltage on the SD pin. At about 2.75 V, the SD pin detects an OVP and shuts down the controller. Typically, a zener to Vcc is used for this. In this way, the designer can set the OVP to a lower value than the OVP threshold built into the Vcc pin.

Step Dimming

Step dimming is only available on the NCL30185FLYGEVB. Cbulk is added to keep Vcc active for brief AC power interruptions. There are 3 dimming current levels for the NCL30185FLYGEVB after the driver is powered on.

ON	100%
1.	70%
2.	25%
3.	4%

AC power interruption is detected on Vs when the voltage on Vs is below 1 V for 30 ms. Internally, the controller steps the internal Vref down to the next dimming level. After the lowest level, Vref cycles back to 100%. Issues with step dimming can be traced to Vcc dropping below the undervoltage cutoff before the input has been detected as off for 35 ms minimum.. This is caused by one of the following:

1. Operating Vcc too low (related to Vled)
2. Cbulk too small
3. Cout too large and discharges too much during the AC interruption. This is particularly seen at the lowest dim levels where the output current cannot recharge Cout fast enough.

For a more detailed discussion of step dimming, refer to [DN05065/D](#).

Circuit Modifications

Output Current

The output current is set by the value of Rsense as shown above. It's possible to adjust easily change the output current within $\pm 10\%$ of the set value by changing R7. Further adjustments may require changes to the transformer depending on the LED V_F and current.

NCL30185FLYGEVB, NCL30188FLYGEVB

SCHEMATIC

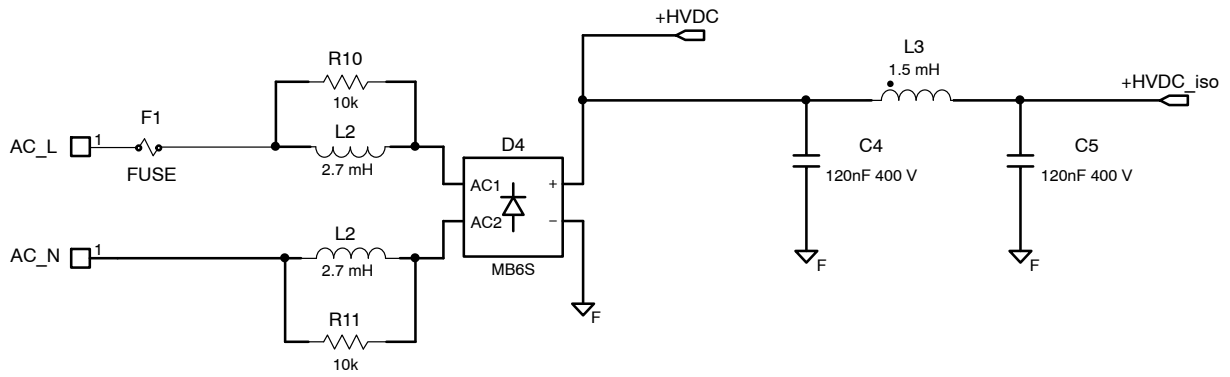


Figure 2. Input Circuit

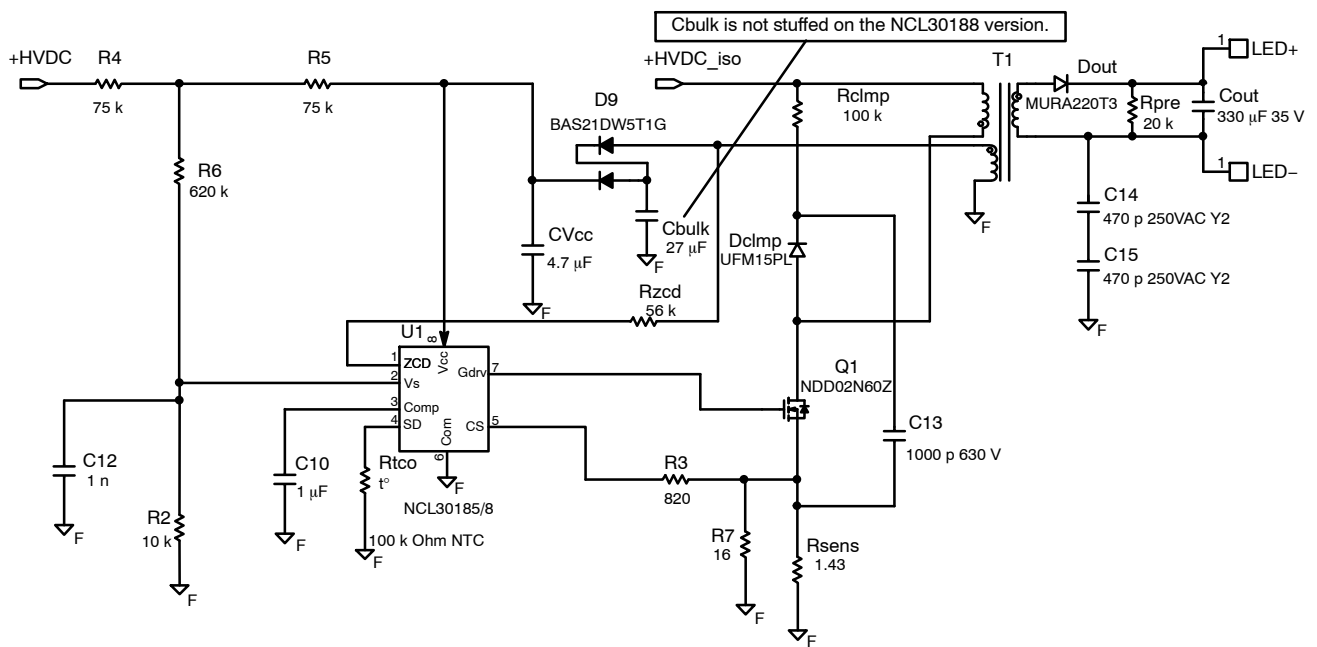


Figure 3. Main Schematic

NCL30185FLYGEVB, NCL30188FLYGEVB

BILL OF MATERIAL

Table 1. BILL OF MATERIAL

Quantity	Reference	Part	Manufacturer	Mfr_PN	PCB Footprint	Substitution Allowed
1	CVcc	4.7 μ F	AVX	TAJB475M035RNJ	1210	Yes
1	Cbulk	27 μ F	Panasonic	EEU-FC1E270	CAP-ALEL-4X11-HOR	Yes
1	Cout	330 μ F 35 V	Nichicon	UHE1V331MPD	CAP-ALEL-10X16-HOR	Yes
2	C4, C5	120 nF 400 V	Epcos	B32559C6124+***	CAP-BOX-LS5-5M0X7M2	Yes
1	C10	1 μ F	Taiyo Yuden	GMK107AB7105KAHT	603	Yes
1	C12	1 nF	Kemet	C0402C102K3GACTU	402	Yes
1	C13	1000 p 630 V	Kemet	C0805C102KBRACTU	805	Yes
2	C14, C15	470 p 250 VAC Y2	Murata	GA342QR7GF471KW01L	1808	Yes
1	Dclmp	UFM15PL	MCC	UFM15PL	SOD123FL	Yes
1	Dout	MURA2230T3	ON Semiconductor	MURA220T3	SMA	No
1	D4	MB6S	MCC	MB6S	MB6S	Yes
1	D9	BAS21DW5T1G	ON Semiconductor	BAS21DW5T1G	SC-88A	No
1	F1	FUSE	Littelfuse	0263.500WRT1L	FUSE-HAIRPIN-LS250	Yes
2	L1, L2	2.7 mH	Bourns	RL875S-272K	Drum_Core_Hor_LS5_875S	Yes
1	L3	1.5 mH	Würth	7447462152	IND-UPRIGHT-LS25	Yes
1	Q1	NDD02N60Z	ON Semiconductor	NDD02N60Z	IPAK	No
1	Rclmp	100 k Ω	Yaego	RC1206FR-07100KL	1206	Yes
1	Rpre	20 k Ω	Yaego	RC0603FR-0720KL	603	Yes
1	Rsens	1.43 Ω	Yaego	RC1206FR-071R43L	1203	Yes
1	Rtco	100 k Ω NTC	Epcos	B57331V2104J60	603	Yes
1	Rzcd	56 k Ω	Yaego	RC0805FR-0756KL	805	Yes
1	R2	10 k Ω	Yaego	RC0402FR-0710KL	402	Yes
1	R3	820 Ω	Yaego	RC0402FR-07820RL	402	Yes
2	R4, R5	75 k Ω	Yaego	RC1206FR-0775KL	1206	Yes
1	R6	620 k Ω	Yaego	RC1206FR-07620KL	1206	Yes
1	R7	16 Ω	Yaego	RT0402FRE0716RL	603	Yes
2	R10, R11	10 k Ω	Yaego	RC0805JR-0710KL	805	Yes
1	T1	XFRM_LINEAR	Würth	7508112342	RM6-4P-THFLYLEADS	Yes
1	U1	NCL30185B	ON Semiconductor	NCL30185B	SO8	No
		NCL30185B		NLC30188B		
6"	W1	Wire, Red, 24 AWG	McMaster Carr	7587K922	UL1569	Yes
6"	W2	Wire, Blk, 24 AWG	McMaster Carr	7587K921	UL1569	Yes
12"	W3, W4	Wire, Wht, 24 AWG	McMaster Carr	7587K924	UL1569	Yes

Note: All Components to comply with RoHS 2002/95/EC

NCL30185FLYGEVB, NCL30188FLYGEVB

GERBER VIEWS

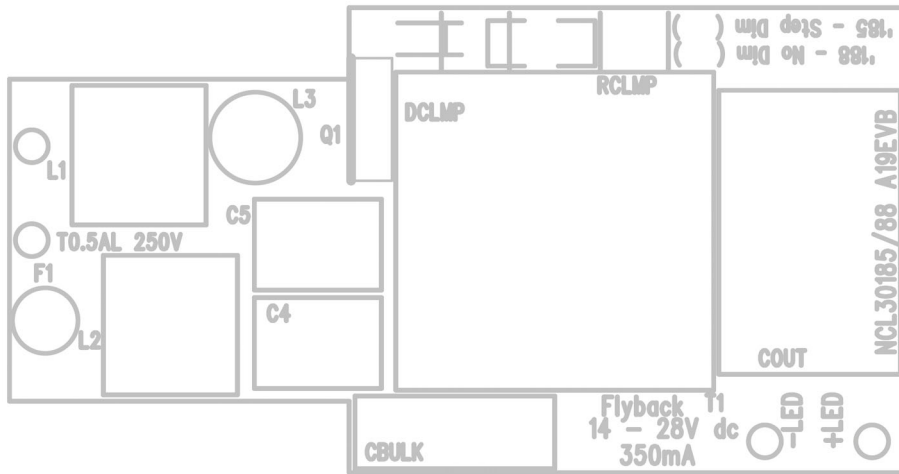


Figure 4. Top Side PCB

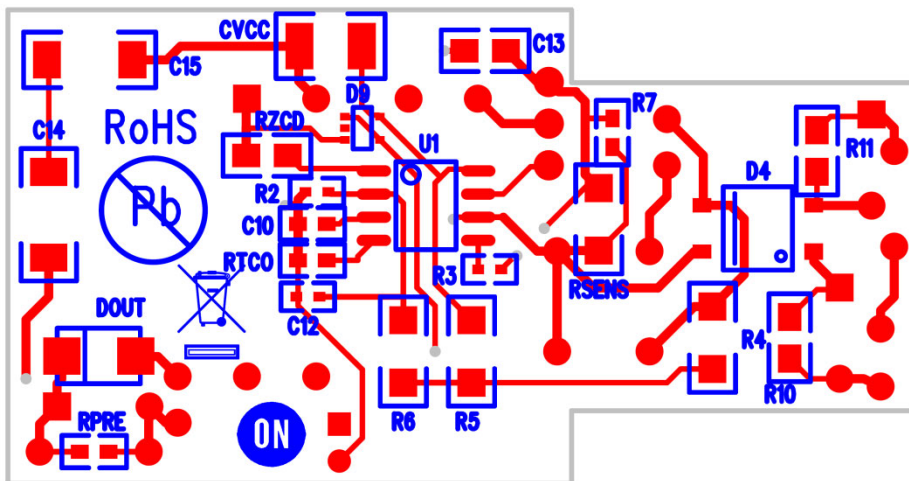


Figure 5. Bottom Side PCB

NCL30185FLYGEVB, NCL30188FLYGEVB

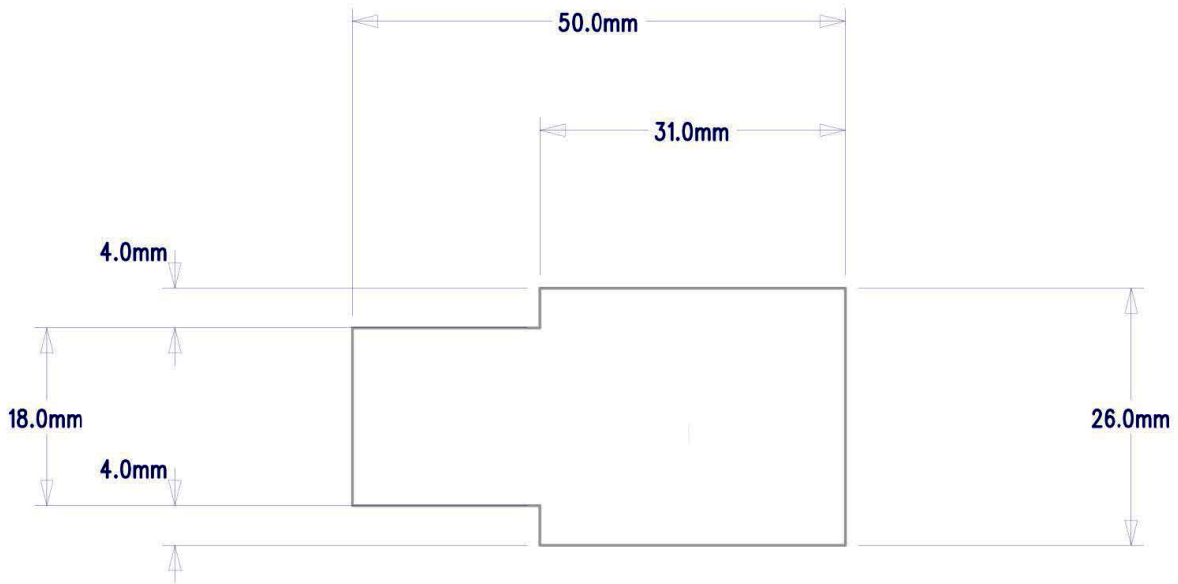
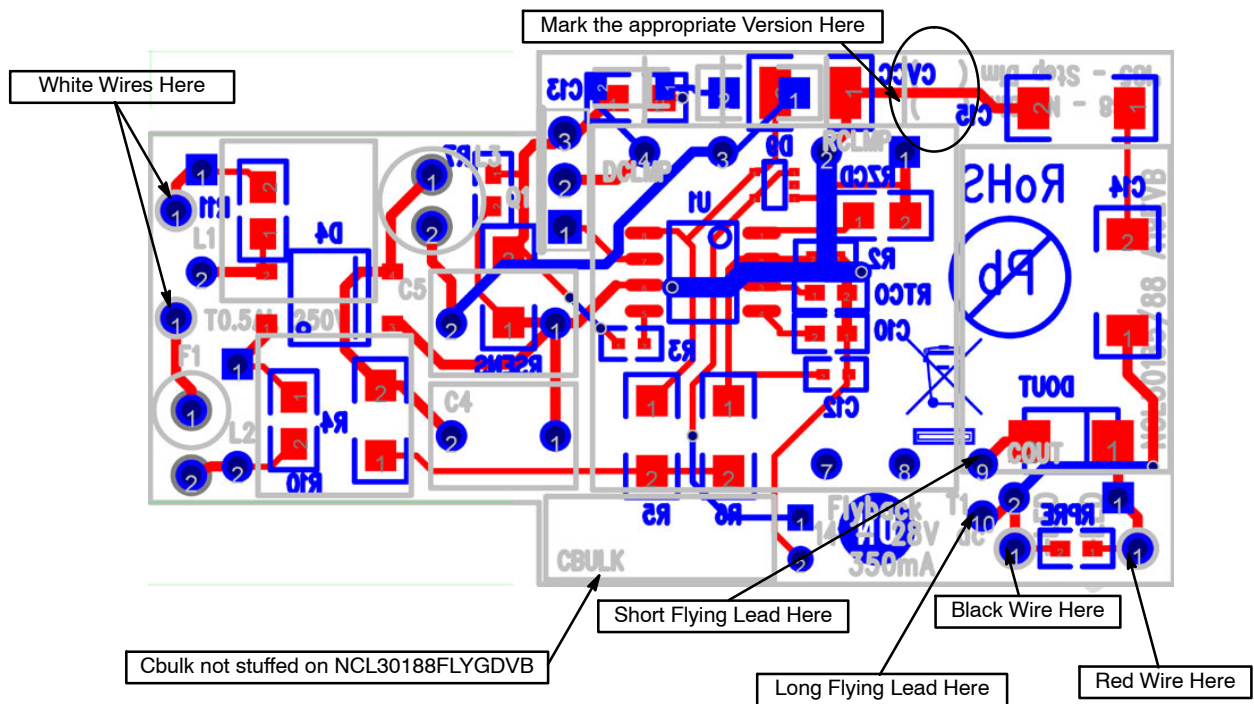


Figure 6. PCB Outline



NOTES:

1. Trim Transformer flying leads for minimum length.
2. Strip and tin lead wires to 6" ±0.5" 4 Places.

Figure 7. Assembly Notes

NCL30185FLYGEVB, NCL30188FLYGEVB

CIRCUIT BOARD FABRICATION NOTES

1. Fabricate per IPC-6011 and IPC6012. Inspect to IPA-A-600 Class 2 or updated standard.
2. Printed Circuit Board is defined by files listed in fileset.
3. Modification to copper within the PCB outline is not allowed without permission, except where noted otherwise. The manufacturer may make adjustments to compensate for manufacturing process, but the final PCB is required to reflect the associated gerber file design ± 0.001 in. for etched features within the PCB outline.
4. Material in accordance with IPC-4101/21, FR4, Tg 125°C min.
5. Layer to layer registration shall not exceed ± 0.004 in.
6. External finished copper conductor thickness shall be 0.0026 in. min. (ie 2 oz)
7. Copper plating thickness for through holes shall be 0.0013 in. min. (ie 1 oz)
8. All holes sizes are finished hole size.
9. Finished PCB thickness 0.031 in.
10. All un-dimensioned holes to be drilled using the NC drill data.
11. Size tolerance of plated holes: ± 0.003 in.: non-plated holes ± 0.002 in.
12. All holes shall be ± 0.003 in. of their true position U.D.S.
13. Construction to be SMOBC, using liquid photo image (LPI) solder mask in accordance with IPC-SM-B40C, Type B, Class 2, and be green in color.
14. Solder mask mis-registration ± 0.004 in. max.
15. Silkscreen shall be permanent non-conductive white ink.
16. The fabrication process shall be UL approved and the PCB shall have a flammability rating of UL94V0 to be marked on the solder side in silkscreen with date, manufactures approved logo, and type designation.
17. Warp and twist of the PCB shall not exceed 0.0075 in. per in.
18. 100% electrical verification required.
19. Surface finish: electroless nickel immersion gold (ENIG)
20. RoHS 2002/95/EC compliance required.

NCL30185FLYGEVB, NCL30188FLYGEVB

FLYBACK TRANSFORMER SPECIFICATION

CUSTOMER TERMINAL	RoHS	LEAD(Pb)-FREE	
Sn 96%, Ag 4%	Yes	Yes	more than you expect

Part must insert fully to surface A in recommended grid .020 50(8) [-.50]

TERM. NO.'s FOR REF. ONLY

Views need to include flying leads. Short lead indicates lead A. JLV 8/27/14

LOT CODE & DATE CODE

RECOMMENDED P.C. PATTERN, COMPONENT SIDE

PRI 120-375Vdc 75-100kHz

AUX 26V - 10mA

SEC 28V - 750mA

ELECTRICAL SPECIFICATIONS @ 25° C unless otherwise noted:

PARAMETER	TEST CONDITIONS	VALUE
D.C. RESISTANCE	4-3 @20°C	0.680 ohms ±10%
D.C. RESISTANCE	A-B @20°C	0.065 ohms ±15%
D.C. RESISTANCE	1-2 @20°C	0.360 ohms ±10%
INDUCTANCE	4-3 10kHz, 100mV, Ls	640.0µH ±10%
SATURATION CURRENT	4-3 20% rolloff from initial	1.0A
LEAKAGE INDUCTANCE	4-3 tte(A+B),100kHz, 100mV, Ls	15.0µH max.
LEAKAGE INDUCTANCE	1-2 tte(A+B),100kHz, 100mV, Ls	1.5µH max.
DIELECTRIC	4-A tte(2+3), 4000VAC, 1 second	4000VAC, 1 minute
DIELECTRIC	4-1 625VAC, 1 second	
TURNS RATIO	(4-3):(1-2)	4.31:1 ±1%
TURNS RATIO	(4-3):(A-B)	4.1:1 ±1%

GENERAL SPECIFICATIONS:
OPERATING TEMPERATURE RANGE: -40°C to +125°C including temp rise.
Designed to comply with the following requirements as defined by IEC61347-2-13:
- Reinforced insulation for a primary circuit at a working voltage of 375VDC.

Wire insulation & RoHS status not affected by wire color. Wire insulation color may vary depending on availability.

DFM	SP	Packaging Specifications	<p>CONVENTIONAL PLACEMENT</p>	Tolerances unless otherwise specified: Angles: ±1° Decimals: ±.005 [.13] Fractions: ±1/64 Footprint: ±.001 [.03]	DRAWING TITLE	PART NO.
DATE	8/27/2014	Method: Tray		<p>TRANSFORMER</p>	7508112342	
ENG	JLV	PKG-0155				
REV.	02					
DATE	9/2/2014	www.we-online.com/midcom		This drawing is dual dimensioned. Dimensions in brackets are in millimeters.		SPECIFICATION SHEET 1 OF 1

NCL30185FLYGEVB, NCL30188FLYGEVB

ECA PICTURES

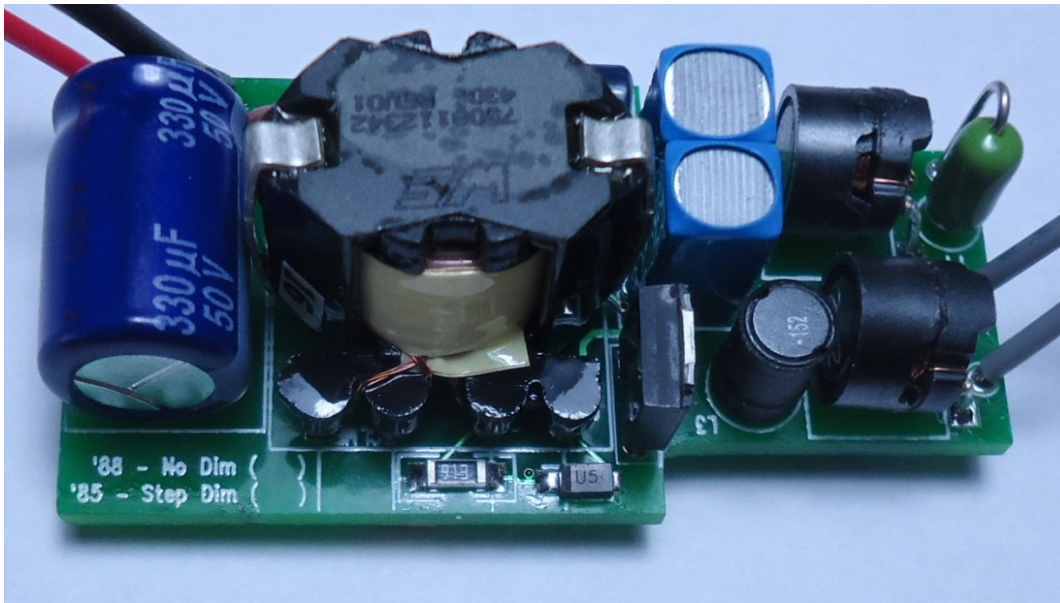


Figure 8. Top View

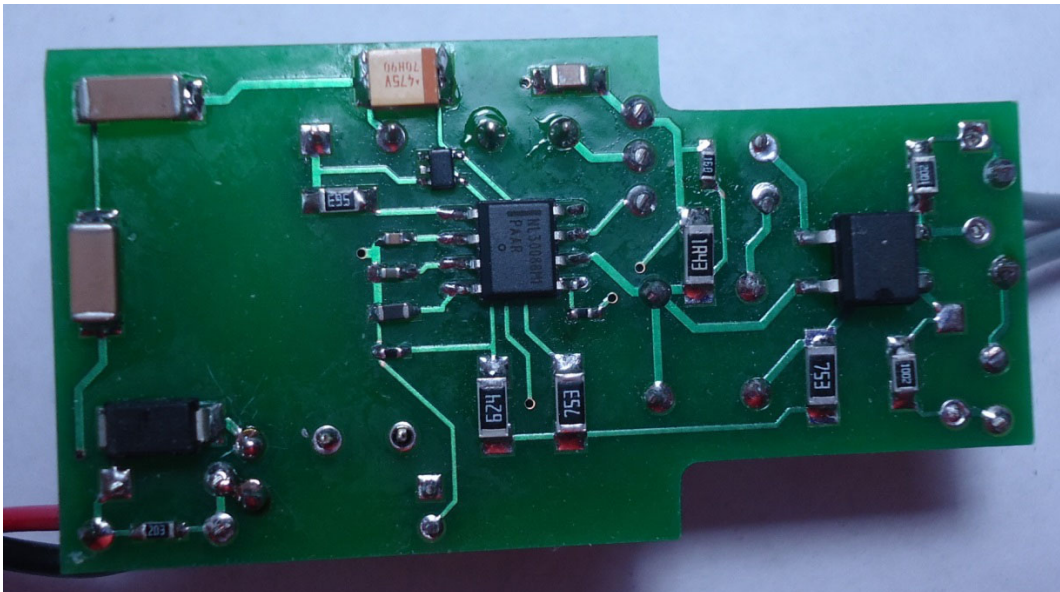


Figure 9. Bottom View

NCL30185FLYGEVB, NCL30188FLYGEVB

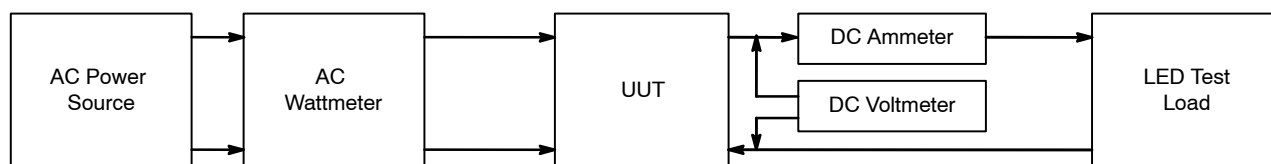
TEST PROCEDURE

Equipment Needed

- AC Source – 90 to 305 V ac 50/60 Hz Minimum 500 W capability
- AC Wattmeter – 300 W Minimum, True RMS Input Voltage, Current, Power Factor, and THD 0.2% accuracy or better

Test Connections

1. Connect the LED Load to the red(+) and black(-) leads through the ammeter shown in Figure 10. Caution: Observe the correct polarity or the load may be damaged.
2. Connect the AC power to the input of the AC wattmeter shown in Figure 10. Connect the white leads to the output of the AC wattmeter
3. Connect the DC voltmeter as shown in Figure 10.



NOTE: Unless otherwise specified, all voltage measurements are taken at terminals of the UUT.

Figure 10. Test Set Up

Functional Test Procedure

1. Set the LED Load for 26 V output.
2. Set the input power to 120 V 60 Hz. Caution: Do not touch the ECA once it is energized because there are hazardous voltages present.

LINE AND LOAD REGULATION

Table 2. 120 V/MAX LOAD

	Output Current 350 mA ±14 mA	Output Power	Power Factor	THD < 20%
14 V				
21 V				
28 V				

Table 3. 230 V/MAX LOAD

	Output Current 350 mA ±14 mA	Output Power	Power Factor	THD < 30%
14 V				
21 V				
28 V				

$$\text{Efficiency} = \frac{V_{\text{out}} \times I_{\text{out}}}{P_{\text{in}}} \times 100\% \quad (\text{eq. 5})$$

NCL30185FLYGEVB, NCL30188FLYGEVB

TEST DATA

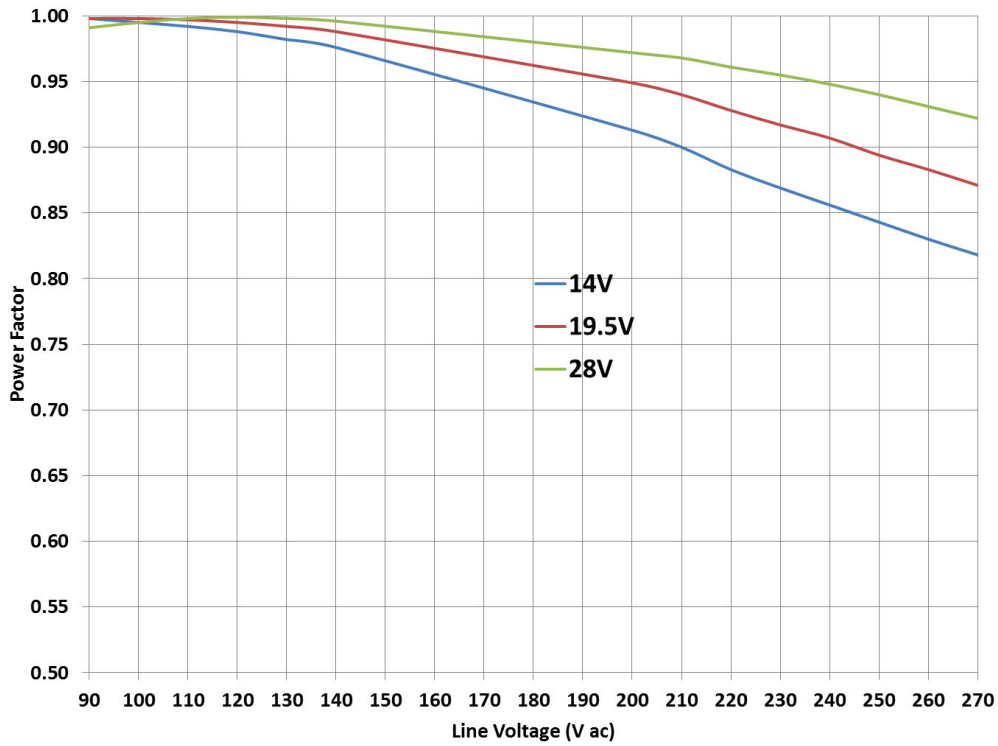


Figure 11. Power Factor over Line and Load

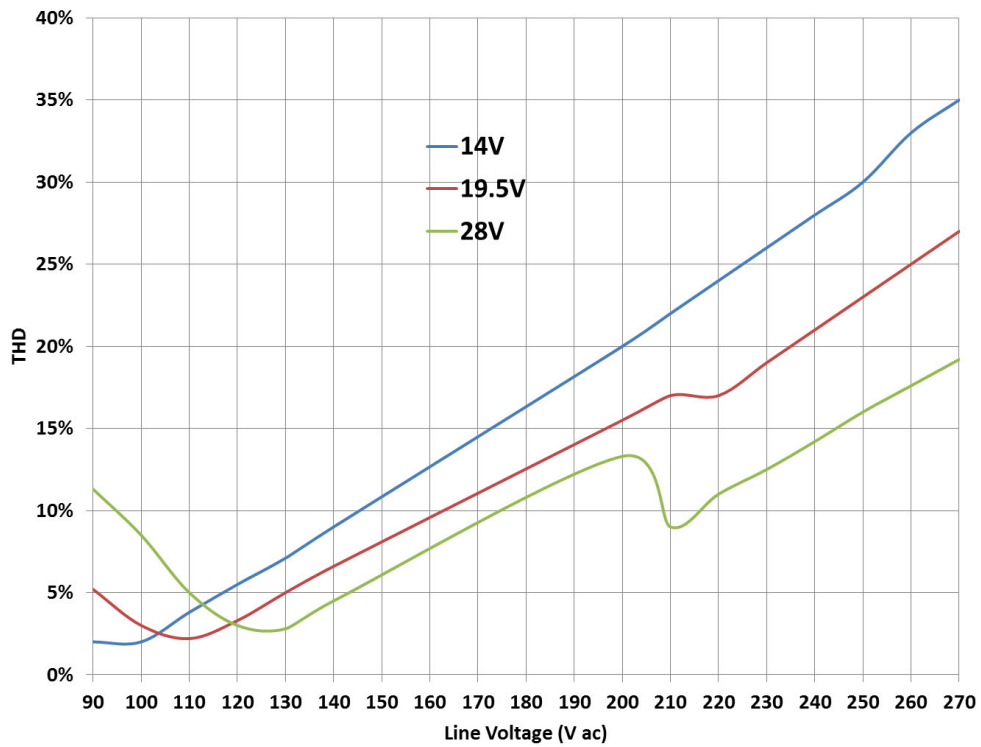


Figure 12. THD over Line and Load

NCL30185FLYGEVB, NCL30188FLYGEVB

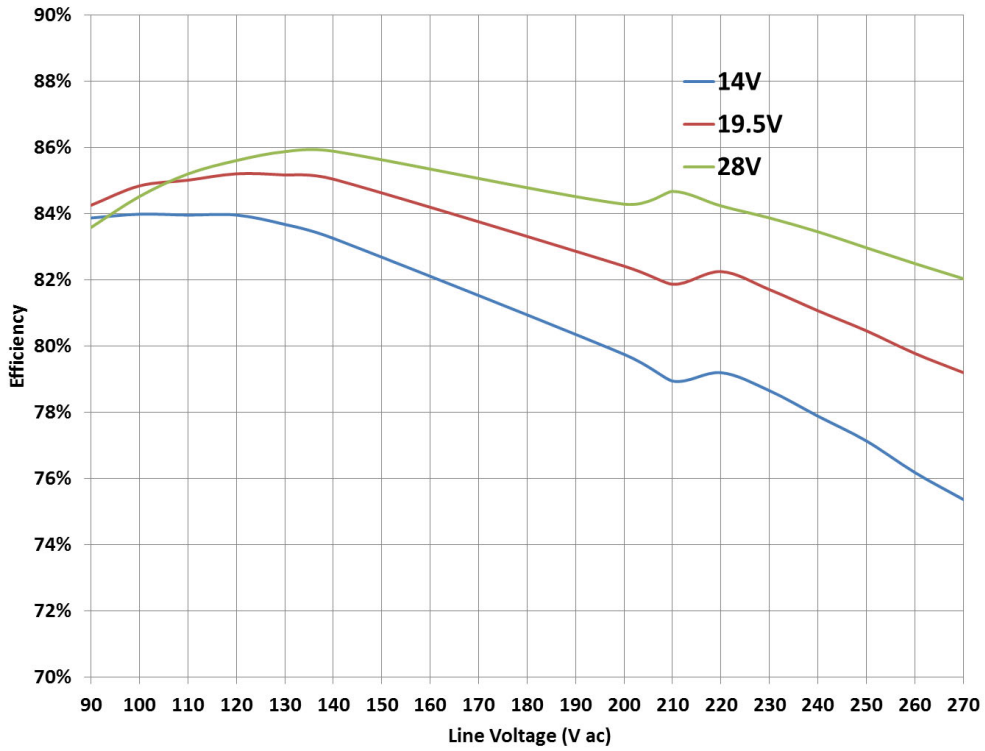


Figure 13. Efficiency over Line and Load @ Maximum Output Current

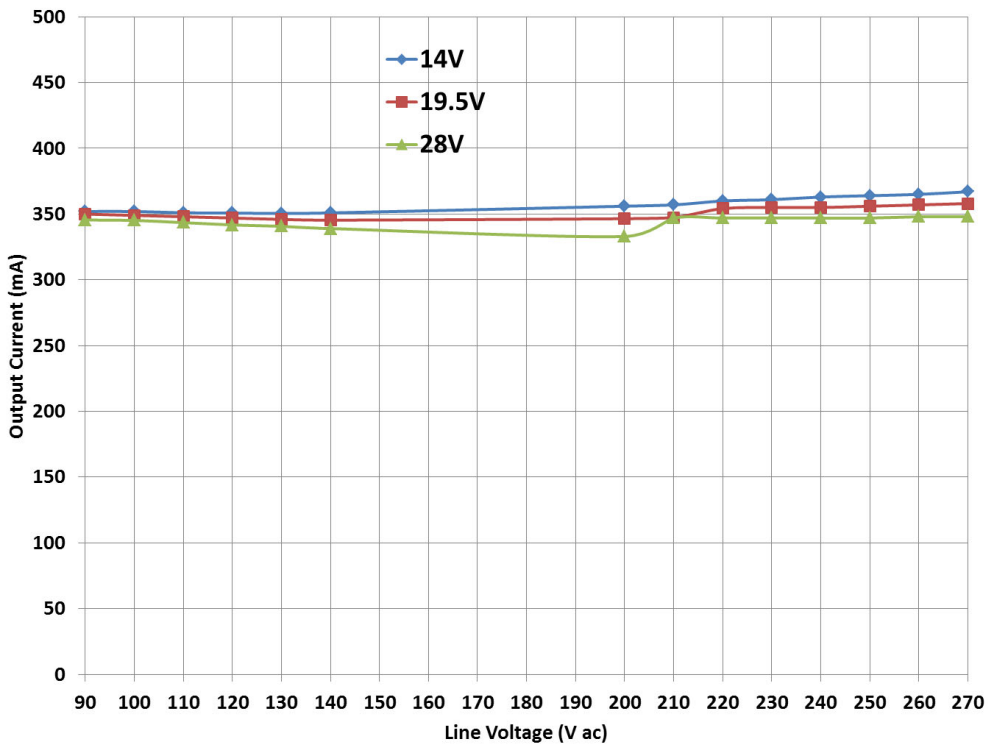


Figure 14. Maximum Current Load Regulation over Line

NCL30185FLYGEVB, NCL30188FLYGEVB

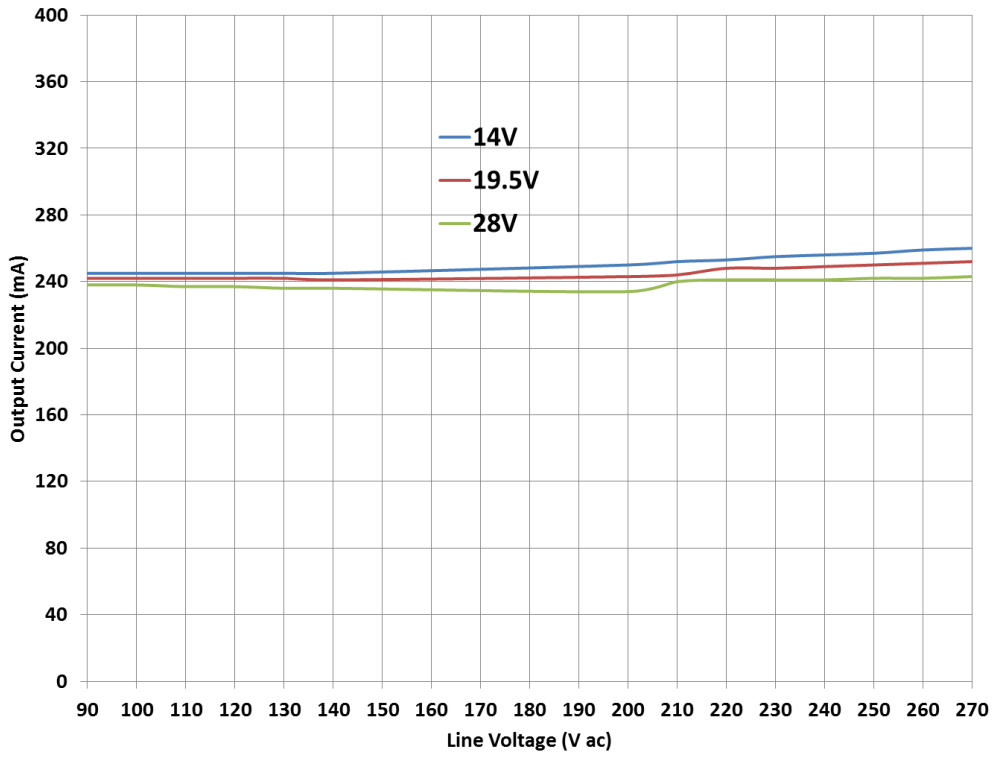


Figure 15. 70% Load Regulation over Line (NCL30185FLYG only)

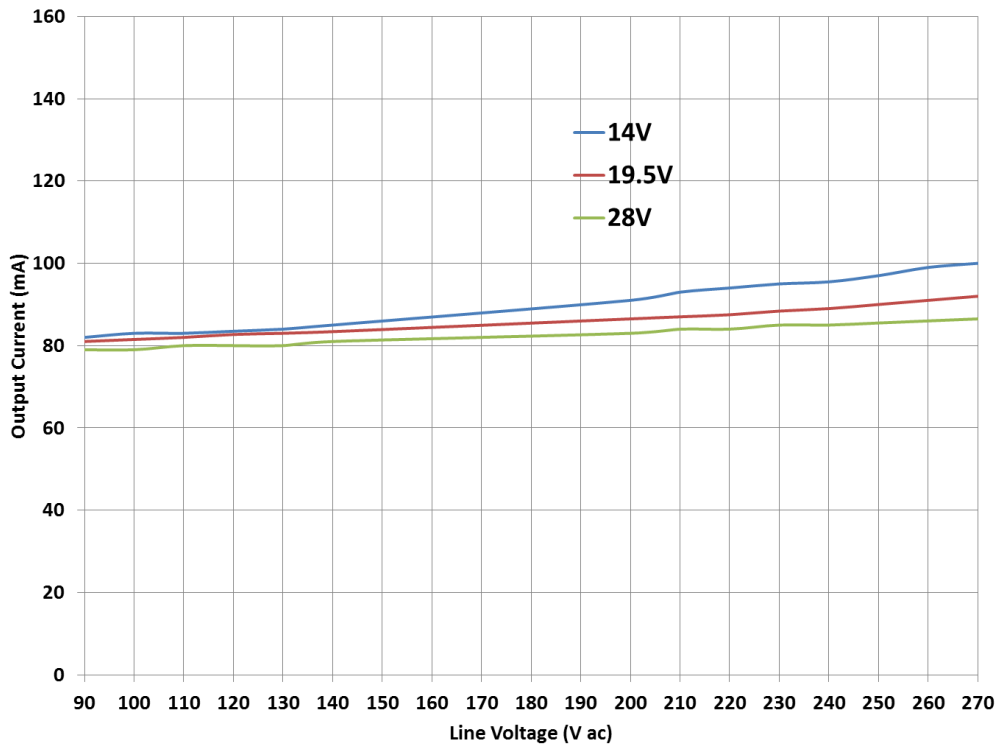


Figure 16. 25% Load Regulation over Line (NCL30185FLYG only)

NCL30185FLYGEVB, NCL30188FLYGEVB

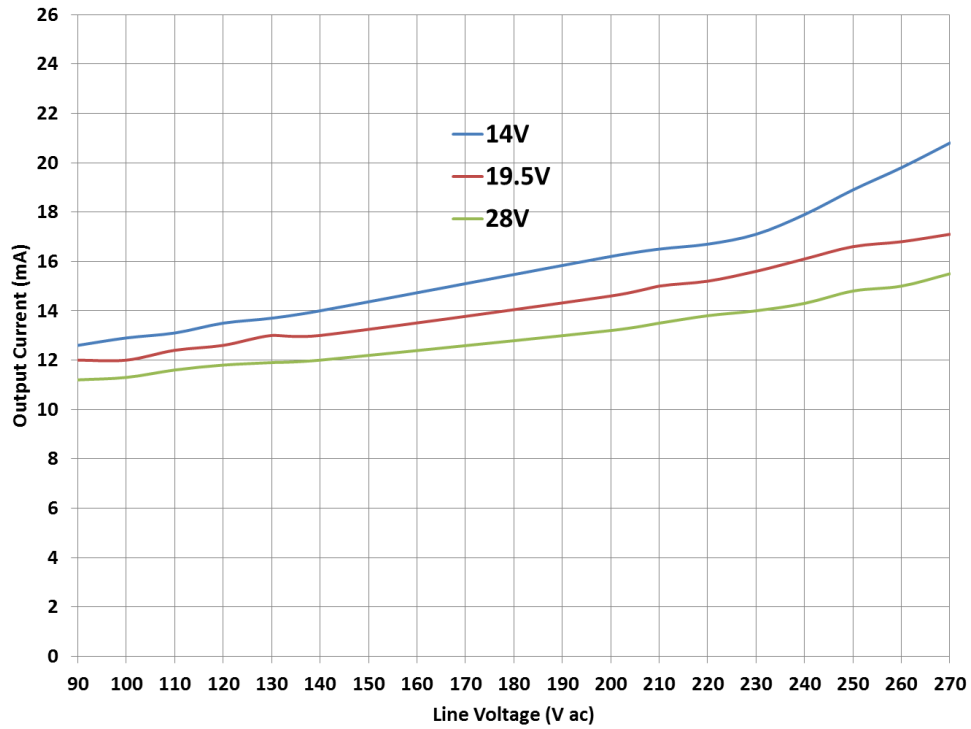


Figure 17. Minimum Load Regulation over Line (NCL30185FLYG only)

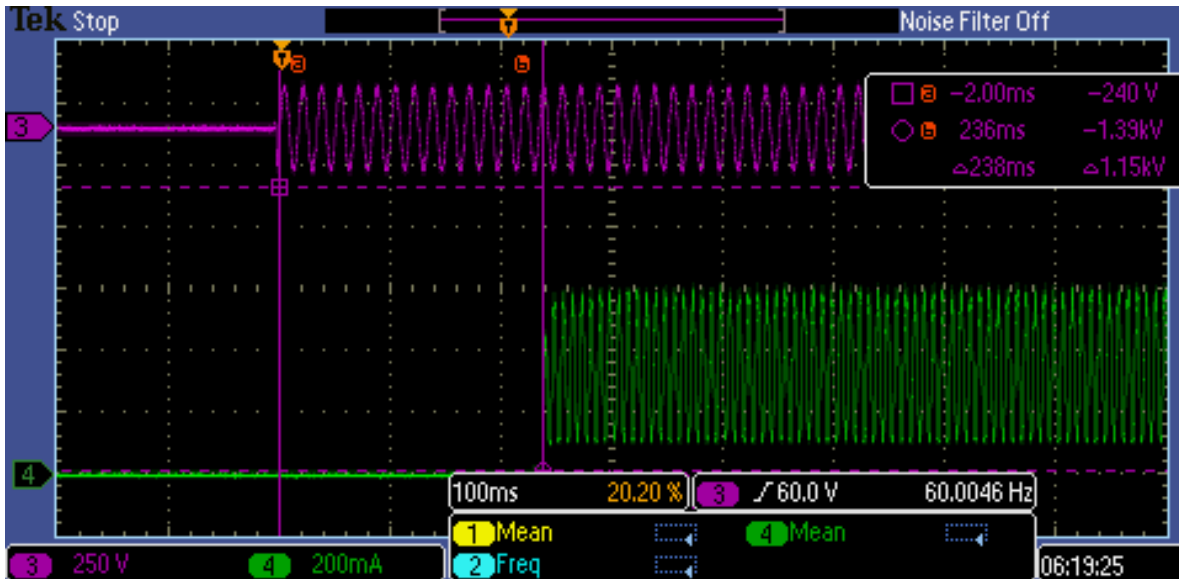


Figure 18. Start Up with AC Applied 120 V Maximum Load

NCL30185FLYGEVB, NCL30188FLYGEVB

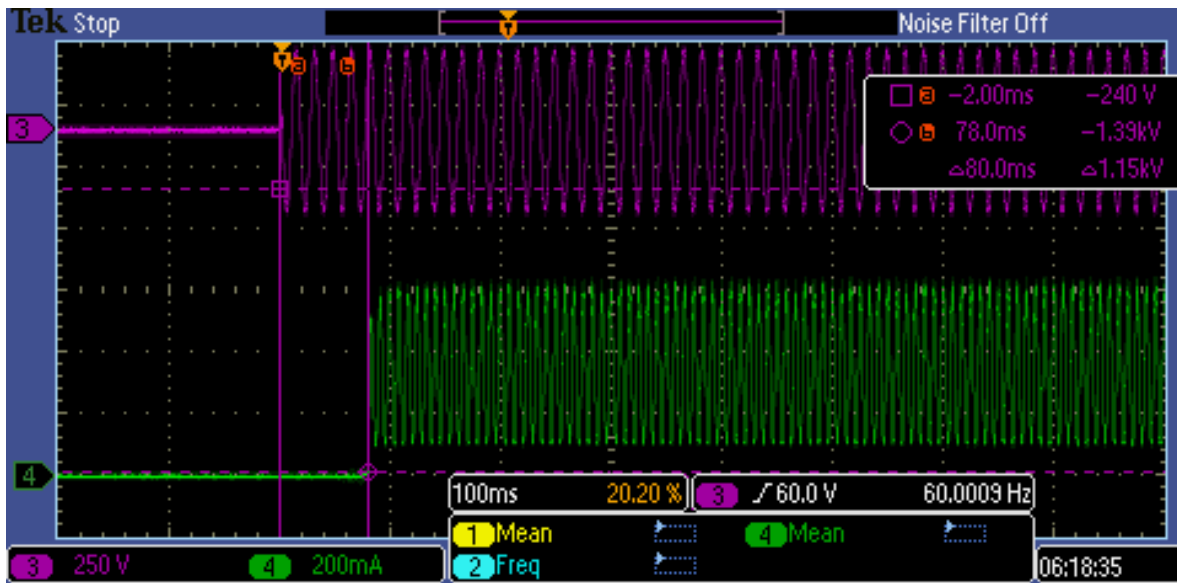


Figure 19. Start Up with AC Applied 230 V Maximum Load

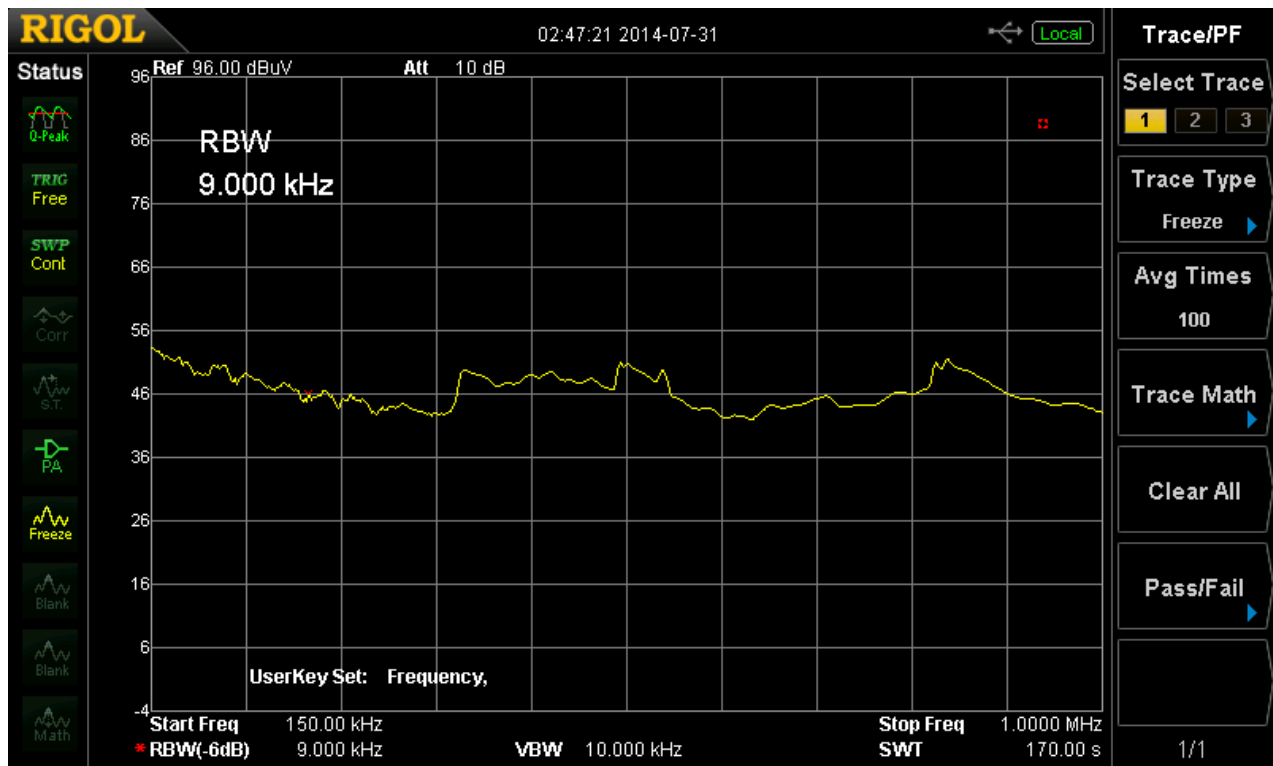


Figure 20. Conducted EMI Pre-compliance QP Data 150 kHz – 1 MHz

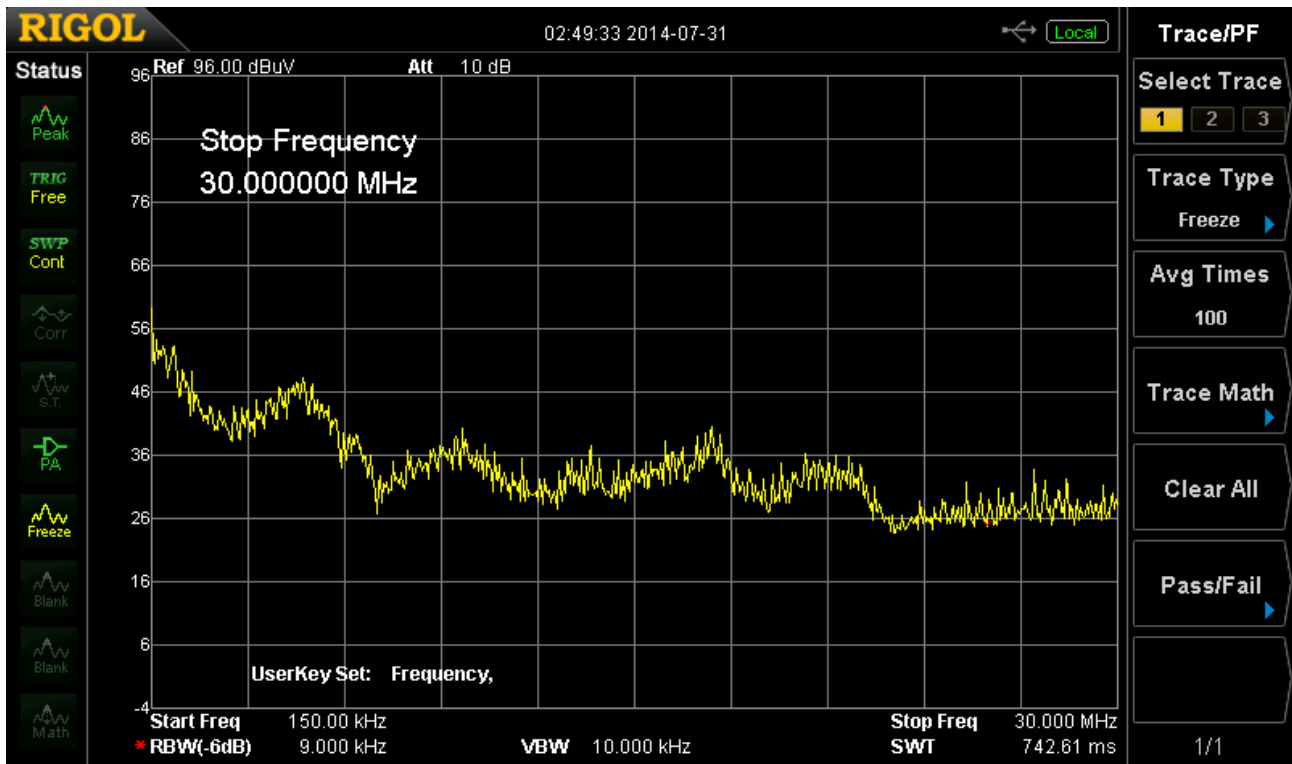


Figure 21. Conducted EMI Pre-compliance Peak Data 150 kHz – 30 MHz

c

ON Semiconductor and the ON Semiconductor logo are trademarks of Semiconductor Components Industries, LLC dba ON Semiconductor or its subsidiaries in the United States and/or other countries. ON Semiconductor owns the rights to a number of patents, trademarks, copyrights, trade secrets, and other intellectual property. A listing of ON Semiconductor's product/patent coverage may be accessed at www.onsemi.com/site/pdf/Patent-Marking.pdf. ON Semiconductor is an Equal Opportunity/Affirmative Action Employer. This literature is subject to all applicable copyright laws and is not for resale in any manner.

The evaluation board/kit (research and development board/kit) (hereinafter the "board") is not a finished product and is as such not available for sale to consumers. The board is only intended for research, development, demonstration and evaluation purposes and should as such only be used in laboratory/development areas by persons with an engineering/technical training and familiar with the risks associated with handling electrical/mechanical components, systems and subsystems. This person assumes full responsibility/liability for proper and safe handling. Any other use, resale or redistribution for any other purpose is strictly prohibited.

The board is delivered "AS IS" and without warranty of any kind including, but not limited to, that the board is production-worthy, that the functions contained in the board will meet your requirements, or that the operation of the board will be uninterrupted or error free. ON Semiconductor expressly disclaims all warranties, express, implied or otherwise, including without limitation, warranties of fitness for a particular purpose and non-infringement of intellectual property rights.

ON Semiconductor reserves the right to make changes without further notice to any board.

You are responsible for determining whether the board will be suitable for your intended use or application or will achieve your intended results. Prior to using or distributing any systems that have been evaluated, designed or tested using the board, you agree to test and validate your design to confirm the functionality for your application. Any technical, applications or design information or advice, quality characterization, reliability data or other services provided by ON Semiconductor shall not constitute any representation or warranty by ON Semiconductor, and no additional obligations or liabilities shall arise from ON Semiconductor having provided such information or services.

The boards are not designed, intended, or authorized for use in life support systems, or any FDA Class 3 medical devices or medical devices with a similar or equivalent classification in a foreign jurisdiction, or any devices intended for implantation in the human body. Should you purchase or use the board for any such unintended or unauthorized application, you shall indemnify and hold ON Semiconductor and its officers, employees, subsidiaries, affiliates, and distributors harmless against all claims, costs, damages, and expenses, and reasonable attorney fees arising out of, directly or indirectly, any claim of personal injury or death associated with such unintended or unauthorized use, even if such claim alleges that ON Semiconductor was negligent regarding the design or manufacture of the board.

This evaluation board/kit does not fall within the scope of the European Union directives regarding electromagnetic compatibility, restricted substances (RoHS), recycling (WEEE), FCC, CE or UL, and may not meet the technical requirements of these or other related directives.

FCC WARNING – This evaluation board/kit is intended for use for engineering development, demonstration, or evaluation purposes only and is not considered by ON Semiconductor to be a finished end product fit for general consumer use. It may generate, use, or radiate radio frequency energy and has not been tested for compliance with the limits of computing devices pursuant to part 15 of FCC rules, which are designed to provide reasonable protection against radio frequency interference. Operation of this equipment may cause interference with radio communications, in which case the user shall be responsible, at its expense, to take whatever measures may be required to correct this interference.

ON Semiconductor does not convey any license under its patent rights nor the rights of others.

LIMITATIONS OF LIABILITY: ON Semiconductor shall not be liable for any special, consequential, incidental, indirect or punitive damages, including, but not limited to the costs of requalification, delay, loss of profits or goodwill, arising out of or in connection with the board, even if ON Semiconductor is advised of the possibility of such damages. In no event shall ON Semiconductor's aggregate liability from any obligation arising out of or in connection with the board, under any theory of liability, exceed the purchase price paid for the board, if any.

For more information and documentation, please visit www.onsemi.com.

PUBLICATION ORDERING INFORMATION

LITERATURE FULFILLMENT:

Email Requests to: orderlit@onsemi.com

ON Semiconductor Website: www.onsemi.com

TECHNICAL SUPPORT

North American Technical Support:

Voice Mail: 1 800-282-9855 Toll Free USA/Canada

Phone: 011 421 33 790 2910

Europe, Middle East and Africa Technical Support:

Phone: 00421 33 790 2910

For additional information, please contact your local Sales Representative

Компания «Life Electronics» занимается поставками электронных компонентов импортного и отечественного производства от производителей и со складов крупных дистрибьюторов Европы, Америки и Азии.

С конца 2013 года компания активно расширяет линейку поставок компонентов по направлению коаксиальный кабель, кварцевые генераторы и конденсаторы (керамические, пленочные, электролитические), за счёт заключения дистрибьюторских договоров

Мы предлагаем:

- Конкурентоспособные цены и скидки постоянным клиентам.
- Специальные условия для постоянных клиентов.
- Подбор аналогов.
- Поставку компонентов в любых объемах, удовлетворяющих вашим потребностям.
- Приемлемые сроки поставки, возможна ускоренная поставка.
- Доставку товара в любую точку России и стран СНГ.
- Комплексную поставку.
- Работу по проектам и поставку образцов.
- Формирование склада под заказчика.
- Сертификаты соответствия на поставляемую продукцию (по желанию клиента).
- Тестирование поставляемой продукции.
- Поставку компонентов, требующих военную и космическую приемку.
- Входной контроль качества.
- Наличие сертификата ISO.

В составе нашей компании организован Конструкторский отдел, призванный помогать разработчикам, и инженерам.

Конструкторский отдел помогает осуществить:

- Регистрацию проекта у производителя компонентов.
- Техническую поддержку проекта.
- Защиту от снятия компонента с производства.
- Оценку стоимости проекта по компонентам.
- Изготовление тестовой платы монтаж и пусконаладочные работы.



Тел: +7 (812) 336 43 04 (многоканальный)
Email: org@lifeelectronics.ru