

SNDH-T Series

Quadrature General Industrial Speed and Direction Sensors



DESCRIPTION

The SNDH-T Series is a dual differential hall sensor that provides speed and direction information using a quadrature output with signals 90° phase shifted from each other. Target direction is determined by output lead/lag phase shifting.

This product is designed for applications where extremely high resolution is required at wide frequency ranges, 1 kHz to 15 kHz, and large air gaps. BiCMOS (bipolar complementary metal-oxide-semiconductor) Hall-effect technology, using advanced digital signal processing for dynamic off-set cancellation, provides enhanced air gap performance and phase shift accuracy over most conditions.

FEATURES

- Hall-effect magnetic sensing technology
- Dual differential Hall provides enhanced target resolution
- Advanced performance dynamic offset self calibration
- Air gap up to 2 mm [0.08 in]
- Near zero speed
- Automotive under-the-hood packaging integrity
- EMI hardened
- High frequency switching capability (1 Hz to 15 kHz)
- -40 °C to 150 °C [-40 °F to 302 °F] continuous operating temperature
- Multiple connector options
- Short circuit protection
- Reverse voltage protection
- Open collector output
- Low jitter output
- O-ring seal

Unique patented (pending) IC (integrated circuit) packaging provides output phase shift tolerancing with enhanced accuracy.

The robust package is automotive under-the-hood grade for most environmental conditions as well as EMI (electromagnetic interference) hardened. Multiple connection options, including wire harness and integral connector versions using AMP super seal or AMP Jr. Timer connectors, are available. Package design includes an o-ring seal for pressure applications and a fixed mounting flange.

POTENTIAL APPLICATIONS

- Steering position
- Tachometers/counters
- Encoders
- Speed and direction of gears and shafts in transmissions, hydraulic motors, pumps, and gear boxes

SNDH-T Series

Table 1. Specifications

| Characteristic | Parameter | Note |
|--------------------------------|--|---|
| Sensing air gap | 0 mm to 2,0 mm [0 in to 0.08 in] | may achieve larger gaps with testing of actual target |
| Target tooth width | 2,0 mm [0.08 in] (recommended) | other geometry may be suitable |
| Target slot width | 2,0 mm [0.08 in] (recommended) | other geometry may be suitable |
| Tooth height | >3,0 mm [0.12] (recommended) | shorter tooth heights may limit max. air gap performance |
| Target width | >5,0 mm [0.20] (recommended) | narrow targets may limit axial offsets |
| Sensor misposition to target | ±1,5 mm [0.06] | dependent on target geometry |
| EMI radiated immunity | 100 V/m peak | 400 Hz to 2 GHz |
| EMI bulk current injection | 60 mA | 20 MHz to 400 MHz |
| EMI ESD | 16/8 KV air/contact | against the connector (150 pF, 330 Ohm) |
| EMI fast transient burst | EN61000-4-4 Level 4 | — |
| Operating temperature | -40 °C to 150 °C [-40 °F to 302 °F] | continuous |
| Thermoshock | -40 °C to 150 °C [-40 °F to 302 °F] | — |
| Humidity | 168 hr | 95% humidity at 90 °C [194 °F] |
| Salt fog | 96 hr | DIN IEC 6872-11 |
| Thermosaline dunk | 5 dunks | 105 °C to 0 °C [221 °F to 32 °F] air to liquid, 5% saline |
| High temp exposure with power | 1000 hr at 150 °C [302 °F] | — |
| Mechanical shock | 50 g | — |
| Vibration | 30 g, 10 Hz to 2 kHz | — |
| Resistance to fluids | general automotive under the hood fluids | — |
| Supply voltage | 4.5 V to 18 V | — |
| Max. continuous supply voltage | 18 V | — |
| Reverse voltage | -18 V max. | continuous |
| Current (normal) | 13.6 mA | all conditions |
| Current (max.) | 18 mA | all conditions |
| Short circuit protection | 80 mA | — |
| Output signal type | square wave | two channel, phase shifted by 90°, either channel can lead or lag, push/pull |
| Duty cycle | 50% ±10% | — |
| Phase shift | 90° ±20° | using recommended target tooth/slot |
| Output high | ≥Vs -0.5 V | — |
| Output low | ≤0.5 V | — |
| Load current | 20 mA max. | each output at all conditions |
| Output low | ≤0.5 V | — |
| Rise time | 10 μs typ. | dependent on load resistor |
| Fall time | 1 μs typ. | — |
| Frequency | 1 Hz to 15 kHz | higher frequencies about 10 kHz may be dependent on target geometry and air gap |

Figure 1. Wiring Diagram

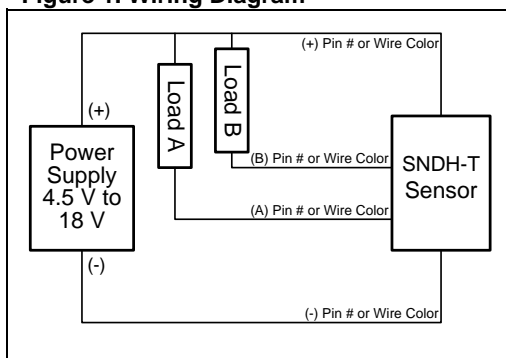


Figure 2. Sensor Output

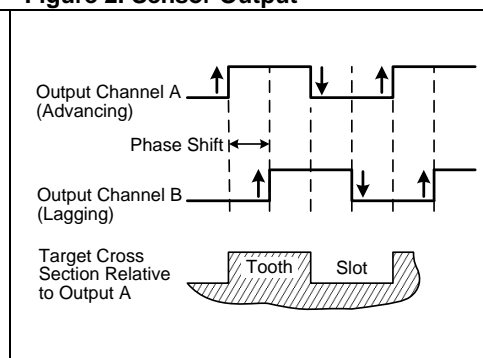
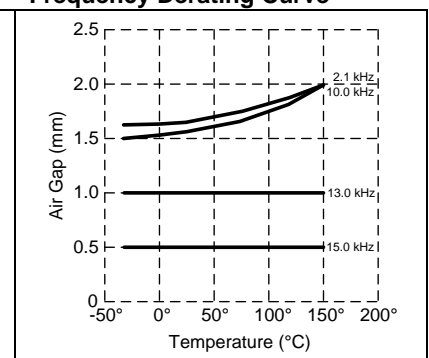
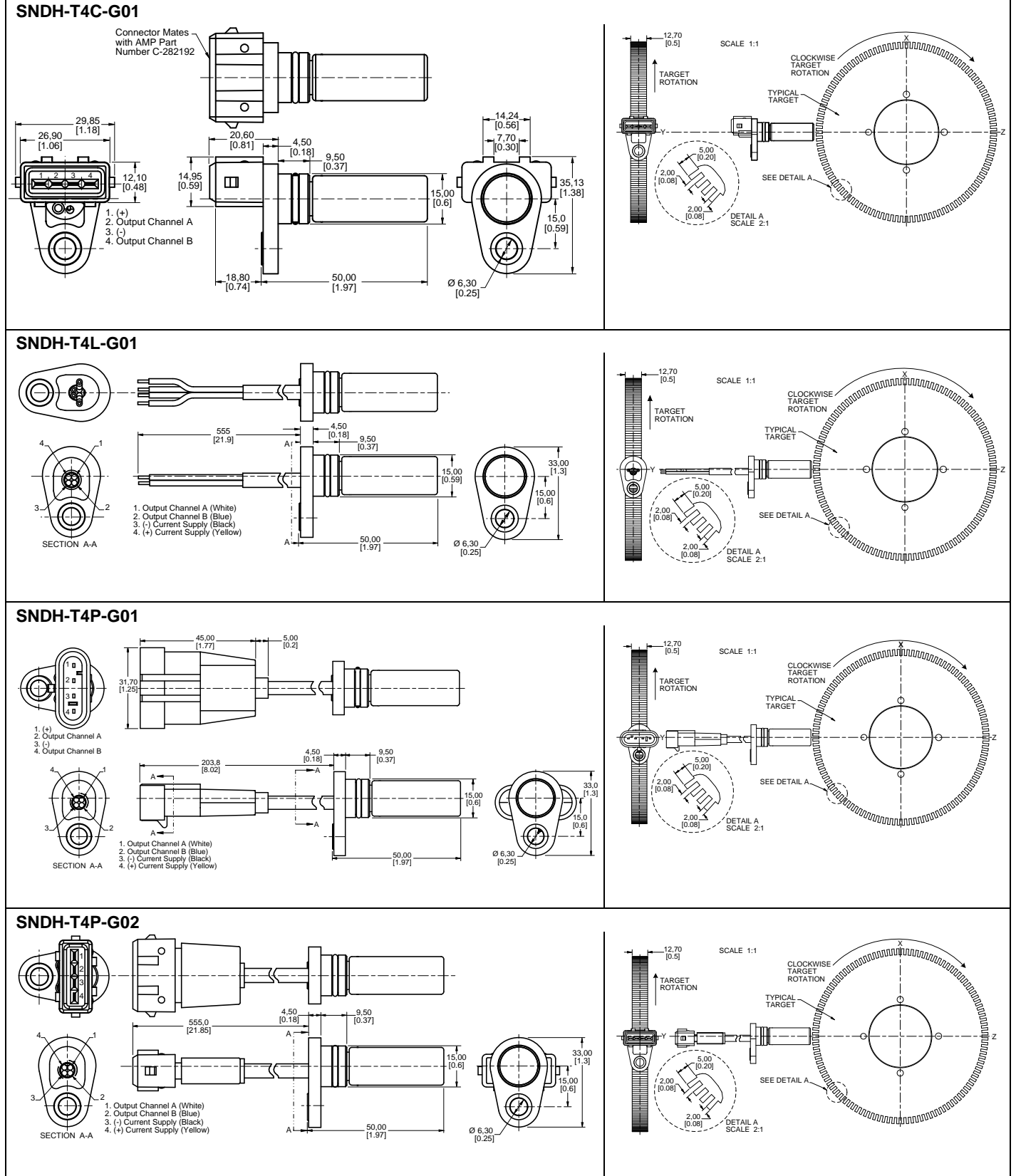


Figure 3. Temperature Air Gap Frequency Derating Curve



Quadrature Speed and Direction Sensors

Figure 4. Mounting Dimensions and General Mounting Geometry (For reference only: mm [in.])



ORDERRDER GUIDE

| Catalog Listing | Description |
|-----------------|---|
| SNDH-T4C-G01 | SNDH-T Series, dual hall speed and position sensor, 4 wire output, connector |
| SNDH-T4L-G01 | SNDH-T Series, dual hall speed and position sensor, 4 wire output, leadwire |
| SNDH-T4P-G01 | SNDH-T Series, dual hall speed and position sensor, 4 wire output, pigtail with rectangular connector |
| SNDH-T4P-G02 | SNDH-T Series, dual hall speed and position sensor, 4 wire output, pigtail with oval connector |

WARNING

PERSONAL INJURY

DO NOT USE these products as safety or emergency stop devices or in any other application where failure of the product could result in personal injury.

Failure to comply with these instructions could result in death or serious injury.

WARRANTY/REMEDY

Honeywell warrants goods of its manufacture as being free of defective materials and faulty workmanship. Honeywell's standard product warranty applies unless agreed to otherwise by Honeywell in writing; please refer to your order acknowledgement or consult your local sales office for specific warranty details. If warranted goods are returned to Honeywell during the period of coverage, Honeywell will repair or replace, at its option, without charge those items it finds defective. **The foregoing is buyer's sole remedy and is in lieu of all other warranties, expressed or implied, including those of merchantability and fitness for a particular purpose. In no event shall Honeywell be liable for consequential, special, or indirect damages.**

While we provide application assistance personally, through our literature and the Honeywell web site, it is up to the customer to determine the suitability of the product in the application.

Specifications may change without notice. The information we supply is believed to be accurate and reliable as of this printing. However, we assume no responsibility for its use.

WARNING

MISUSE OF DOCUMENTATION

- The information presented in this product sheet is for reference only. Do not use this document as a product installation guide.
- Complete installation, operation, and maintenance information is provided in the instructions supplied with each product.

Failure to comply with these instructions could result in death or serious injury.

SALES AND SERVICE

Honeywell serves its customers through a worldwide network of sales offices, representatives and distributors. For application assistance, current specifications, pricing or name of the nearest Authorized Distributor, contact your local sales office or:

E-mail: info.sc@honeywell.com

Internet: www.honeywell.com/sensing

Phone and Fax:

Asia Pacific +65 6355-2828
+65 6445-3033 Fax
Europe +44 (0) 1698 481481
+44 (0) 1698 481676 Fax
Latin America +1-305-805-8188
+1-305-883-8257 Fax
USA/Canada +1-800-537-6945
+1-815-235-6847
+1-815-235-6545 Fax

Sensing and Control
Honeywell
1985 Douglas Drive North
Golden Valley, MN 55422
www.honeywell.com/sensing

000641-3-EN IL50 GLO Printed in USA
November 2009
Copyright © 2009 Honeywell International Inc. All rights reserved.

Honeywell

Компания «Life Electronics» занимается поставками электронных компонентов импортного и отечественного производства от производителей и со складов крупных дистрибьюторов Европы, Америки и Азии.

С конца 2013 года компания активно расширяет линейку поставок компонентов по направлению коаксиальный кабель, кварцевые генераторы и конденсаторы (керамические, пленочные, электролитические), за счёт заключения дистрибьюторских договоров

Мы предлагаем:

- Конкурентоспособные цены и скидки постоянным клиентам.
- Специальные условия для постоянных клиентов.
- Подбор аналогов.
- Поставку компонентов в любых объемах, удовлетворяющих вашим потребностям.
- Приемлемые сроки поставки, возможна ускоренная поставка.
- Доставку товара в любую точку России и стран СНГ.
- Комплексную поставку.
- Работу по проектам и поставку образцов.
- Формирование склада под заказчика.
- Сертификаты соответствия на поставляемую продукцию (по желанию клиента).
- Тестирование поставляемой продукции.
- Поставку компонентов, требующих военную и космическую приемку.
- Входной контроль качества.
- Наличие сертификата ISO.

В составе нашей компании организован Конструкторский отдел, призванный помогать разработчикам, и инженерам.

Конструкторский отдел помогает осуществить:

- Регистрацию проекта у производителя компонентов.
- Техническую поддержку проекта.
- Защиту от снятия компонента с производства.
- Оценку стоимости проекта по компонентам.
- Изготовление тестовой платы монтаж и пусконаладочные работы.



Тел: +7 (812) 336 43 04 (многоканальный)

Email: org@lifeelectronics.ru