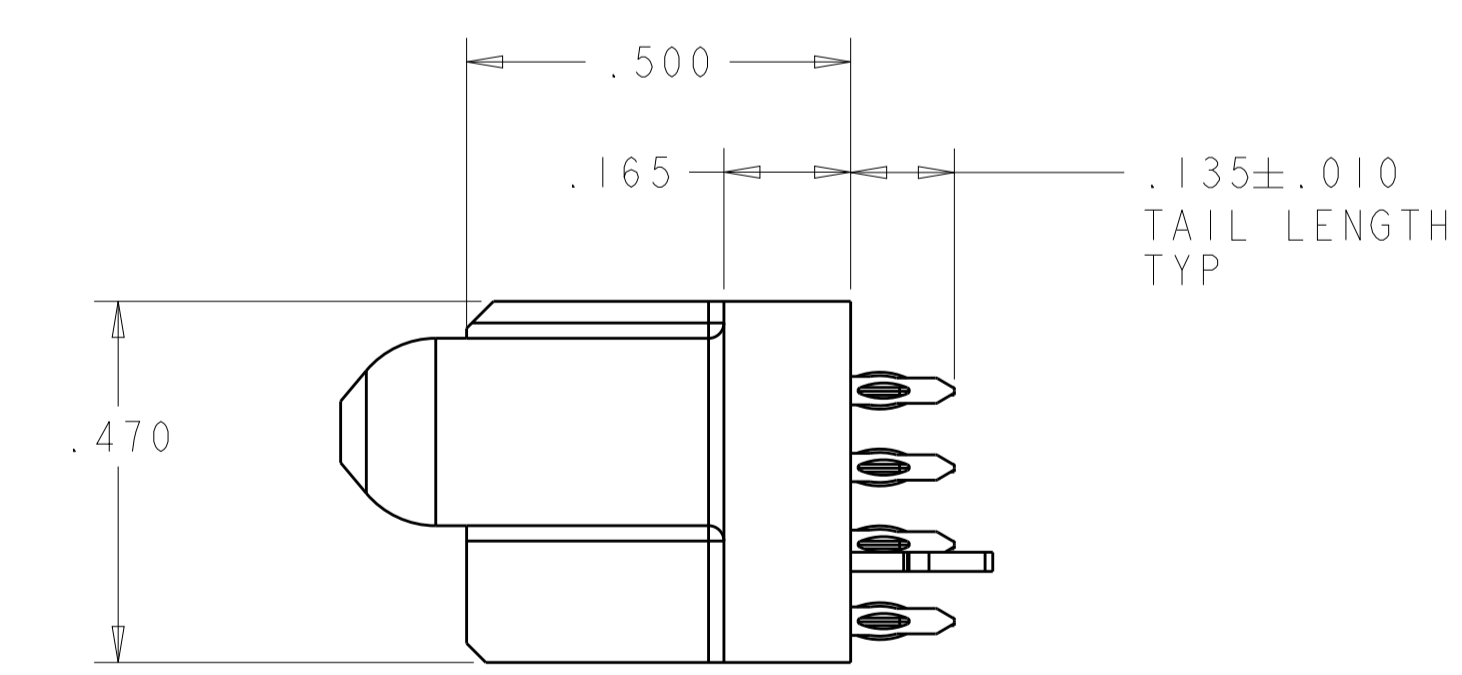
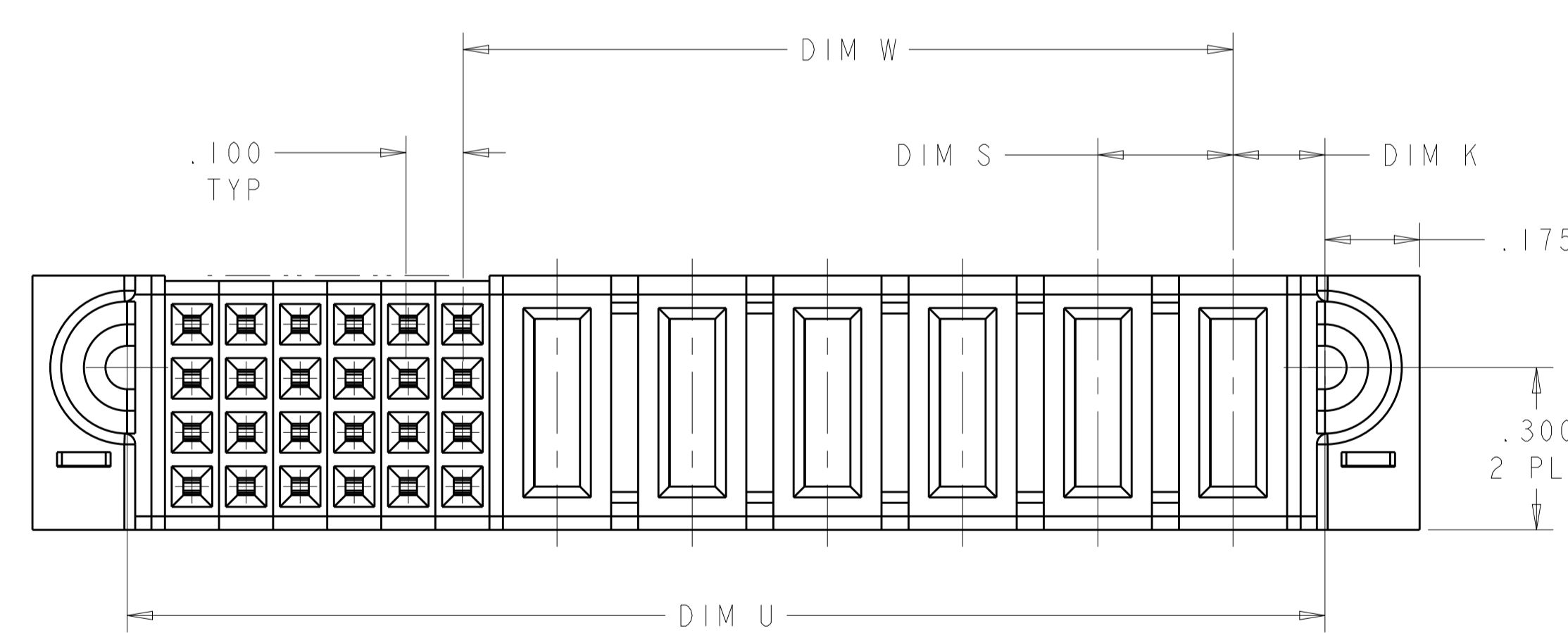
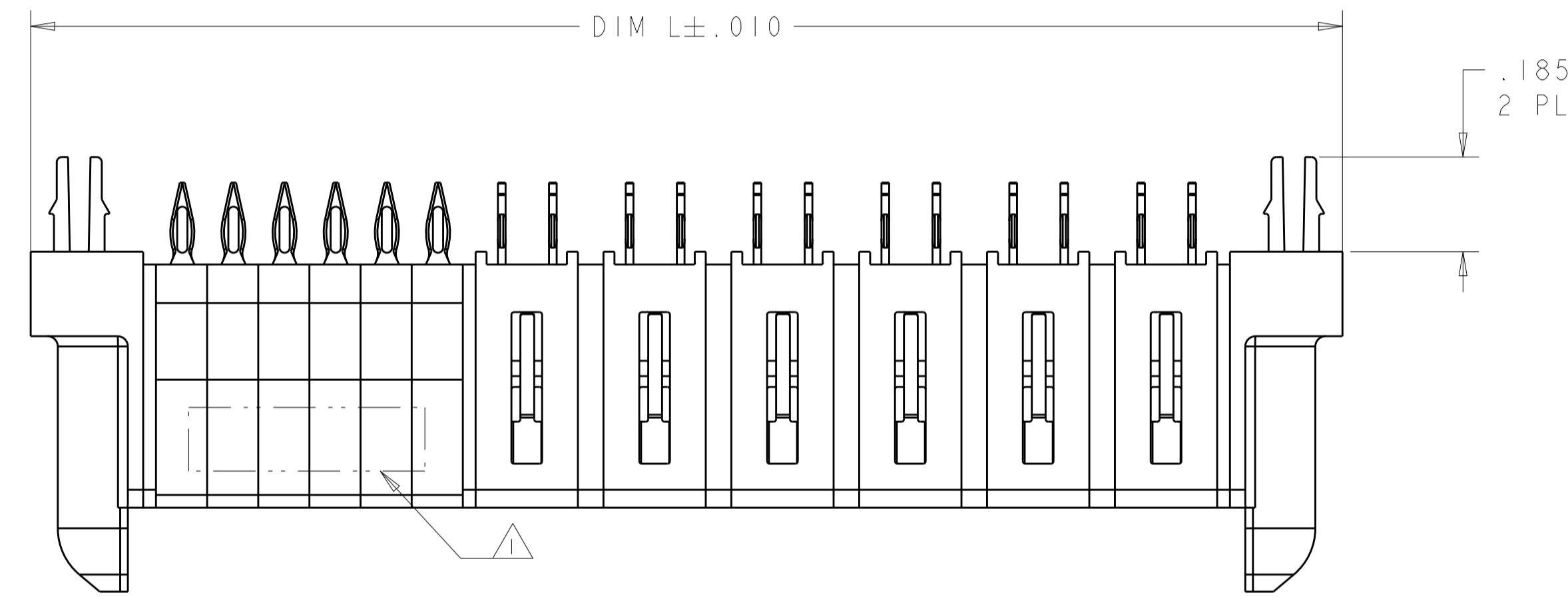
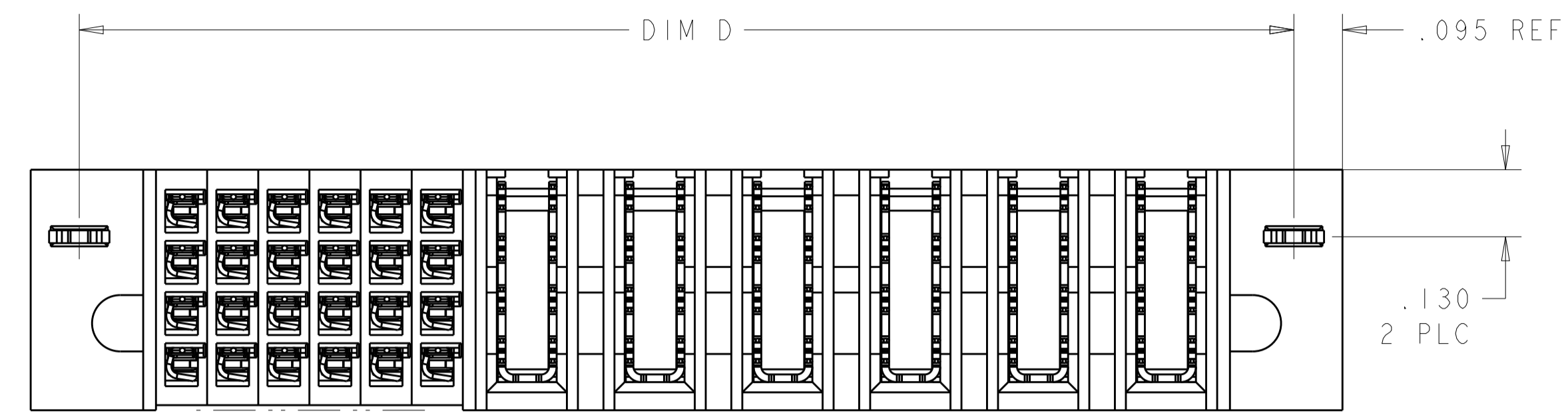


LOC		DIST		REVISIONS			
ES	00	P	LTN	DESCRIPTION	DATE	DMN	APVD
		D7		ADD NEW PART -24	20JAN2015	AY	SZ



- 1 "AMP", PART NUMBER AND DATE CODE TO BE MARKED IN AREA SHOWN PARTS UNDER 2.00 LONG MAY BE MARKED ON BOTH SIDES;
- 2 HOUSING - GLASS FILLED HIGH TEMP THERMO PLASTIC, UL94 V-0
SIGNAL CONTACT - HIGH CONDUCTIVITY COPPER ALLOY
POWER CONTACT - HIGH CONDUCTIVITY COPPER ALLOY
- 3 CONTACT PLATING:
NOBLE METAL PLATING ON FUNCTIONAL AREA OF POWER AND SIGNAL CONTACTS.
- 4 MECHANICAL CONNECTOR KEEP OUT ZONE
- 5 DATUM AND BASIC DIMENSIONS ESTABLISHED BY CUSTOMER
- 6 PCB - ALL HOLE DIAMETERS ARE FINISHED HOLE SIZES
- 7 PCB - 0.0453 ±.0010 DRILLED HOLES PLATED WITH .0003 MIN Sn
OVER .001 TO .003 Cu PLATING TO ACHIEVE A .040 ±.003 HOLE
- 8 THIS DIMENSION PLEASE REFER TO TABLE

THIS DRAWING IS A CONTROLLED DOCUMENT.		DMN S.ZHAO 18JUN2008	TE Connectivity NAME VERTICAL RECEPTACLE W/ P+S MULTI-BEAM XLE SIZE CAGE CODE DRAWING NO RESTRICTED TO A100779C=6450862 -
DIMENSIONS: INCHES		CHK S.ZHAO 18JUN2008	
TOLERANCES UNLESS OTHERWISE SPECIFIED:		APVD S.ZHAO 18JUN2008	
0 PLC ±.1 1 PLC ±.1 2 PLC ±.02 3 PLC ±.005 4 PLC ±.0020 ANGLES ±.7°		PRODUCT SPEC 108-2292 APPLICATION SPEC 114-13251 WEIGHT - CUSTOMER DRAWING	
MATERIAL	FINISH	SCALE 2:1 SHEET 1 OF 9 REV D7	

THIS DRAWING IS UNPUBLISHED. RELEASED FOR PUBLICATION 20
 © COPYRIGHT 20 BY - TE CONNECTIVITY ALL RIGHTS RESERVED.

LOC	DIST	REVISIONS					
ES	00	P	LTN	DESCRIPTION	DATE	DWN	APVD
		-		SEE SHEET 1		-	-

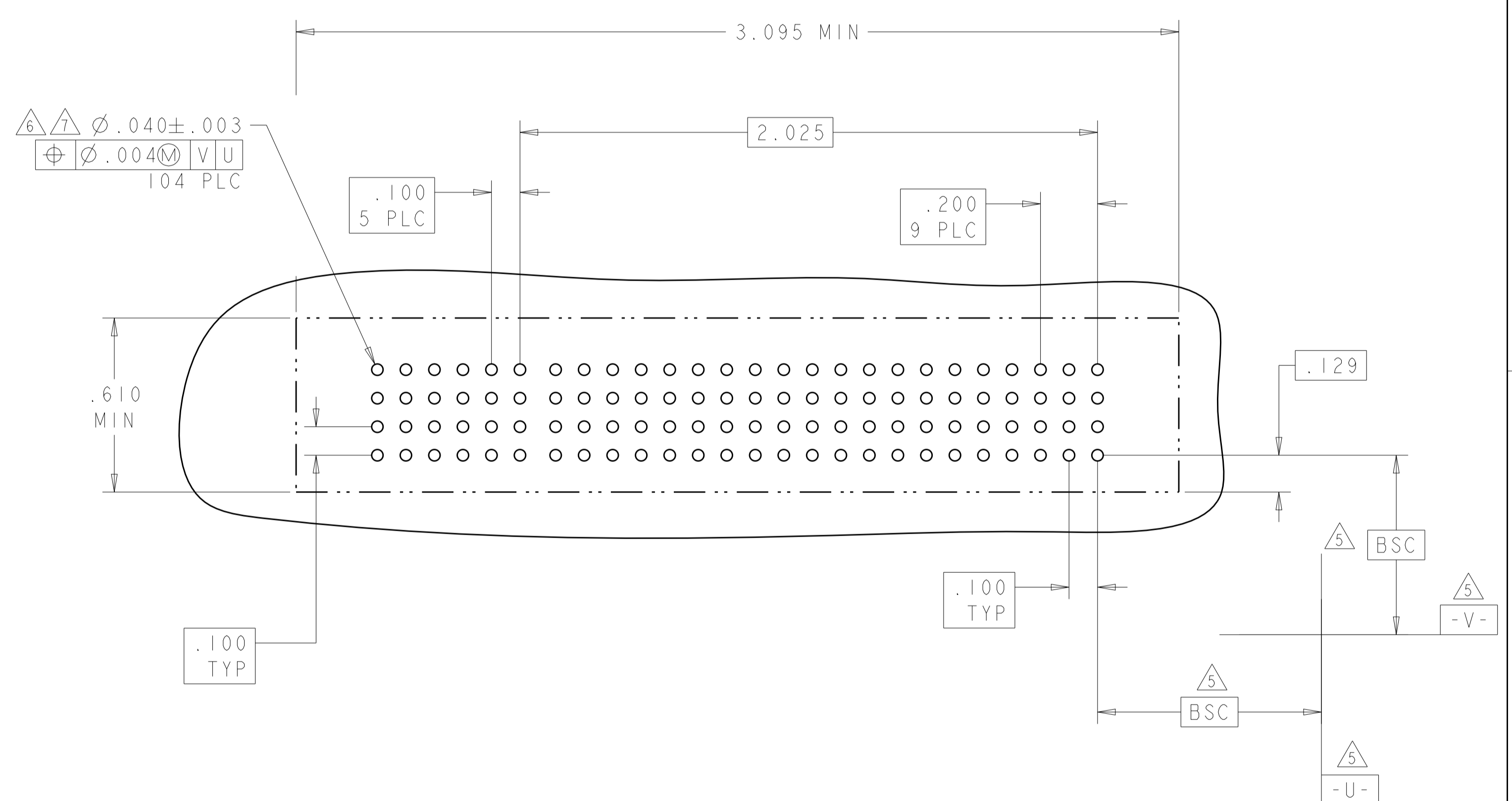
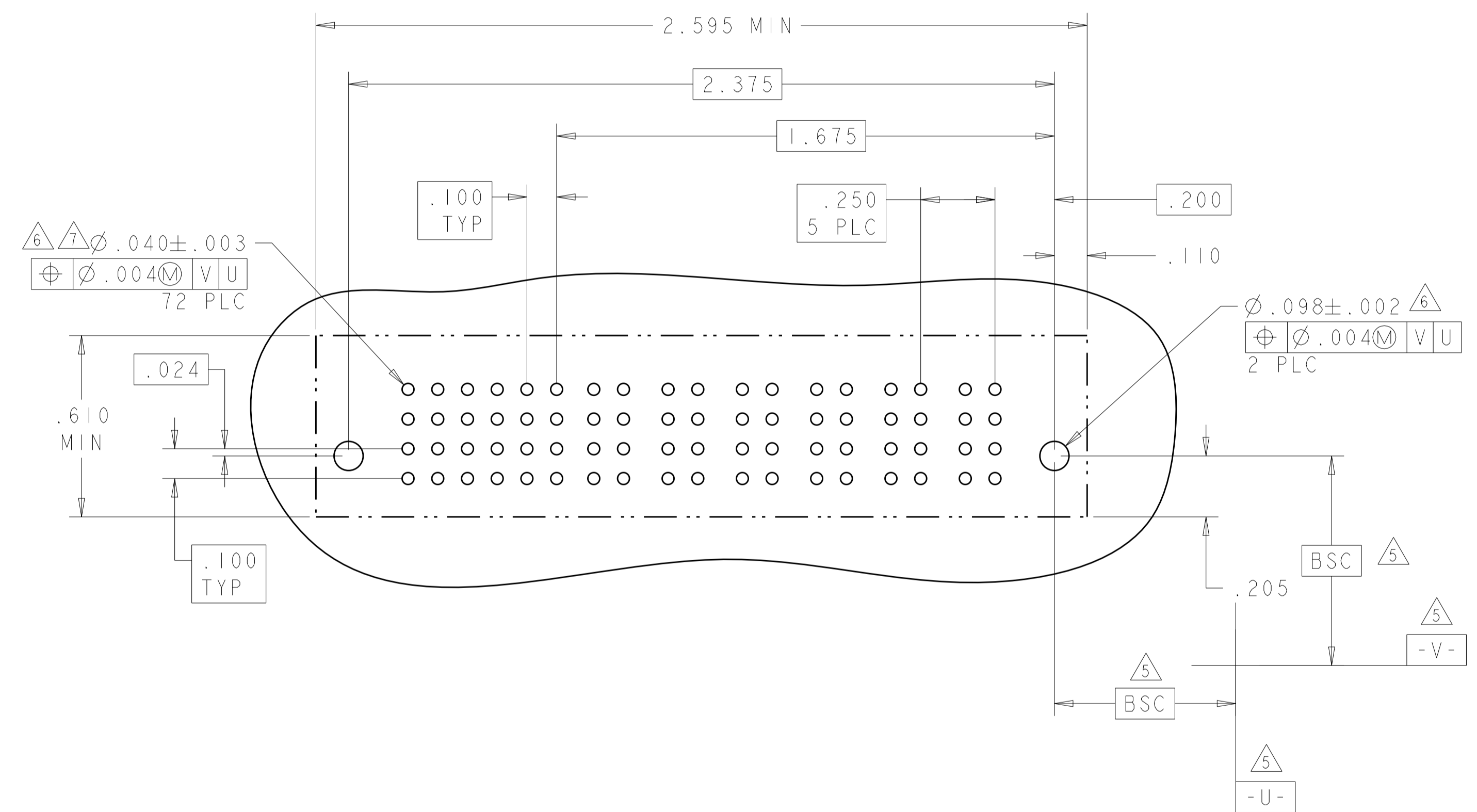
(D7)	.300	2.240	1.890	2.050	1.450	.195	5ACP + 8S	2-6450862-4
(D5)	.250	3.240	2.890	3.050	1.925	.170	8P + 32S	2-6450862-3
	.250	3.240	2.890	3.050	1.925	.170	8P + 32S	2-6450862-2
	.115	.945	.595	.755	.2725	.1025	2LP + 8S	2-6450862-1
	.200	3.265	2.915	3.075	2.175	.145	11HDP + 24S	1-6450862-8
		3.740	3.390	3.550	2.625	.170	3ACP + 8P + 24S	1-6450862-7
	.250	2.415	2.065	2.225	1.425	.145	6P + 20S	1-6450862-6
	.200	3.265	2.915	3.075	1.975	.145	10HDP + 32S	1-6450862-5
		2.420	2.070	2.230	1.330	.145	5P + 2LP + 24S	1-6450862-4
	.250	3.790	3.440	3.600	2.900	.145	12P + 16S	6450862-6
		2.915	2.565	2.725	2.045	.170	6P + 2HDP + 20S	6450862-5
	.115	.970	.620	.780	.2725	.1275	2LP + 8S	6450862-4
	.200	3.065	2.715	2.875	1.975	.145	10HDP + 24S	6450862-3
	.250	2.595	2.215	2.375	1.425	.170	6P + 24S	6450862-1
	DIM S	DIM L	DIM U	DIM D	DIM W	DIM K	DESCRIPTION	PART NUMBER

THIS DRAWING IS A CONTROLLED DOCUMENT.		DWN S. ZHAO 18JUN2008	
DIMENSIONS: INCHES		CHK S. ZHAO 18JUN2008	
TOLERANCES UNLESS OTHERWISE SPECIFIED:		APVD S. ZHAO 18JUN2008	
0 PLC ±.1 1 PLC ±.1 2 PLC ±.02 3 PLC ±.005 4 PLC ±.0020 ANGLES ±.020		PRODUCT SPEC 108-2292 APPLICATION SPEC 114-13251	
MATERIAL	FINISH	WEIGHT	RESTRICTED TO
			SIZE CAGE CODE DRAWING NO A100779C=6450862
CUSTOMER DRAWING		SCALE 2:1	SHEET 2 OF 9 REV D7

LOC	DIST	REVISIONS			
ES	00	REV	DATE	BY	APPV
		-	SEE SHEET 1	-	-

PART NUMBER	ROWS	SIGNAL						POWER							
		6	5	4	3	2	1	P6	P5	P4	P3	P2	P1		
6450862-1	D C B A	AP	AP	AP	AP	AP	AP	GS	GS	GS	GS	GS	GS		
		AP	AP	AP	AP	AP	AP	GS	GS	GS	GS	GS	GS		
		AP	AP	AP	AP	AP	AP	GS	GS	GS	GS	GS	GS		
		AP	AP	AP	AP	AP	AP	GS	GS	GS	GS	GS	GS		
6P + 24S		HD												HD	

PART NUMBER	ROWS	SIGNAL						POWER									
		6	5	4	3	2	1	P10	P9	P8	P7	P6	P5	P4	P3	P2	P1
6450862-3	D C B A	AP	AP	AP	AP	AP	AP	GS	GS	GS	GS	GS	GS	GS	GS	GS	GS
		AP	AP	AP	AP	AP	AP	GS	GS	GS	GS	GS	GS	GS	GS	GS	GS
		AP	AP	AP	AP	AP	AP	GS	GS	GS	GS	GS	GS	GS	GS	GS	GS
		AP	AP	AP	AP	AP	AP	GS	GS	GS	GS	GS	GS	GS	GS	GS	GS
10HDP + 24S		HD												HD			



MFBL POWER CONTACT	GP
HOLD DOWN	HD
STD POWER CONTACT	GS
STD LP LOWER POWER CON.	LSI
SIGNAL CONTACT	AP
DESCRIPTION	CODE

THIS DRAWING IS A CONTROLLED DOCUMENT.

DIMENSIONS: INCHES
 TOLERANCES UNLESS OTHERWISE SPECIFIED:
 0 PLC ±.1
 1 PLC ±.02
 2 PLC ±.02
 3 PLC ±.005
 4 PLC ±.0020
 ANGLES ±.7°
 FINISH: -

DWG: S.ZHAO 18JUN2008
 CHK: S.ZHAO 18JUN2008
 APVD: S.ZHAO 18JUN2008
 PRODUCT SPEC: 108-2292
 APPLICATION SPEC: 114-13251
 WEIGHT: -
 CUSTOMER DRAWING

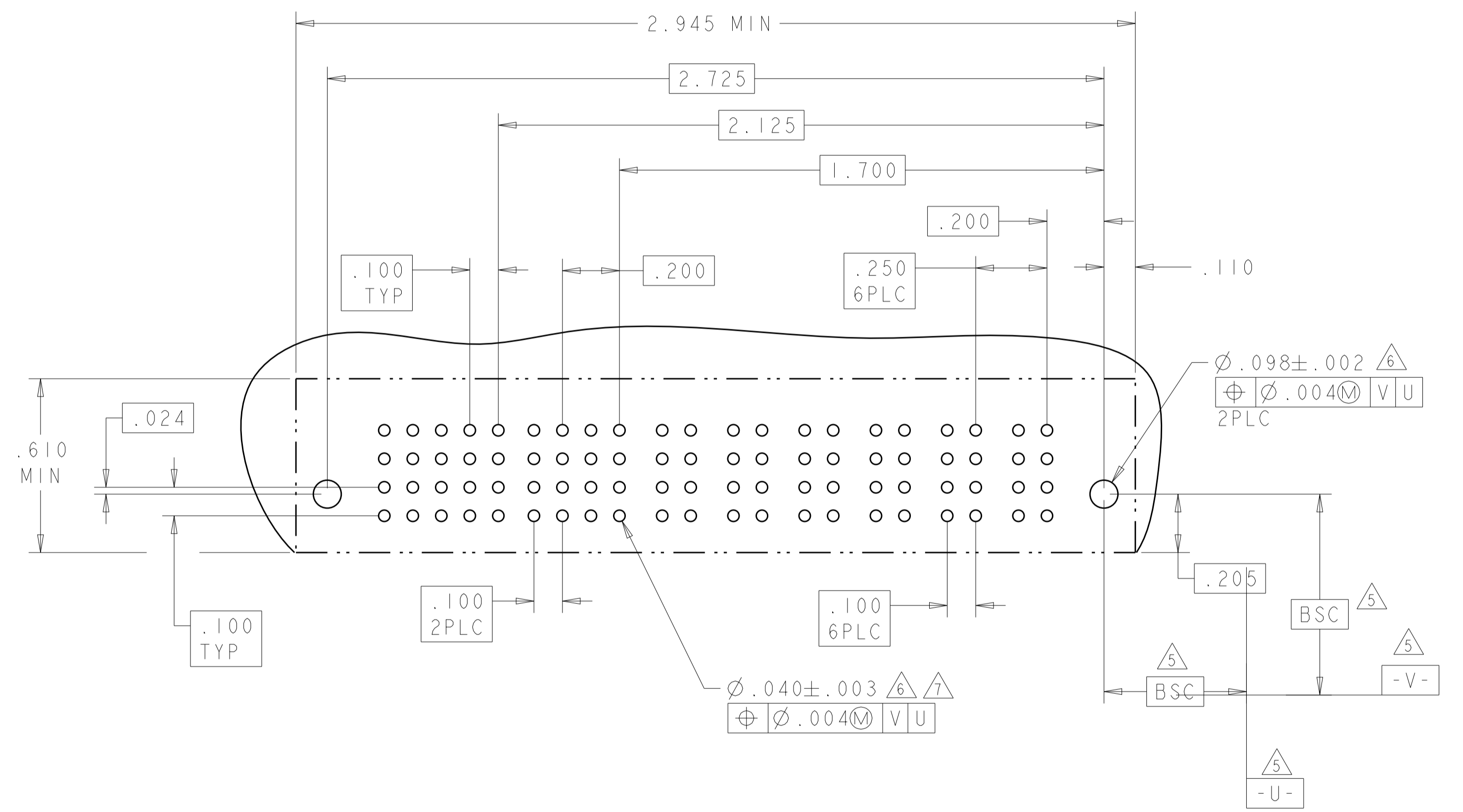
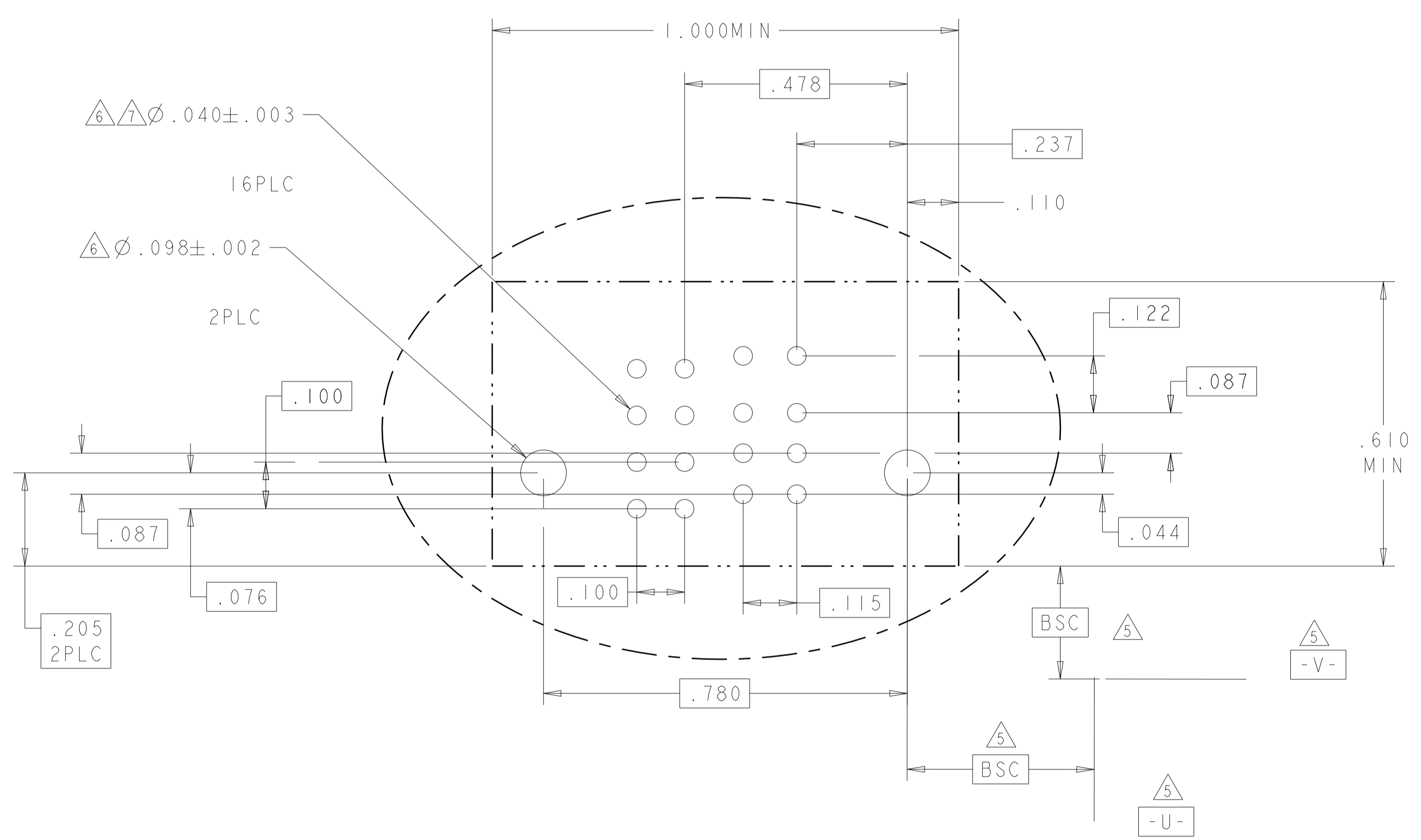
NAME: VERTICAL RECEPTACLE W/ P+S MULTI-BEAM XLE
 SIZE: A100779
 CAGE CODE: 6450862
 SCALE: 2:1 SHEET 3 OF 9 REV: 07

MFG: TE Connectivity
 PART: 6450862-1

LOC		DIST		REVISIONS			
ES	00	P	LTN	DESCRIPTION	DATE	DMN	APVD
		-		SEE SHEET 1			

PART NUMBER	ROWS	SIGNAL		POWER	
		2	1	P2	P1
6450862-4	D C B A	AP	AP	LSI	LSI
		AP	AP		
		AP	AP		
		AP	AP		
2LP + 8S		HD		HD	

PART NUMBER	ROWS	SIGNAL					POWER							
		5	4	3	2	1	P8	P7	P6	P5	P4	P3	P2	P1
6450862-5	D C B A	AP	AP	AP	AP	AP	GS	GS	GS	GS	GS	GS	GS	GS
		AP	AP	AP	AP	AP								
		AP	AP	AP	AP	AP								
		AP	AP	AP	AP	AP								
6P + 2HDP + 20S		HD											HD	



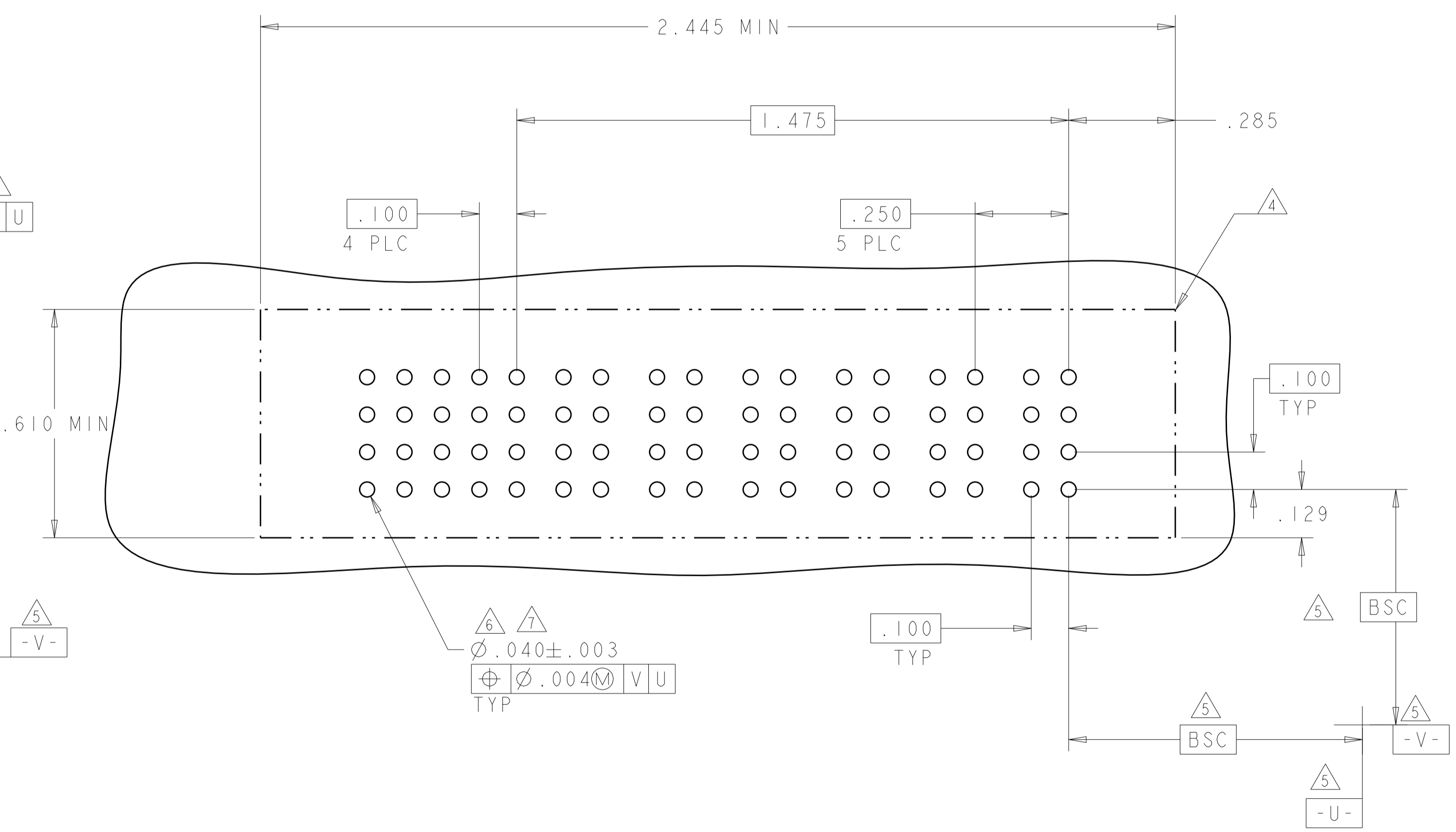
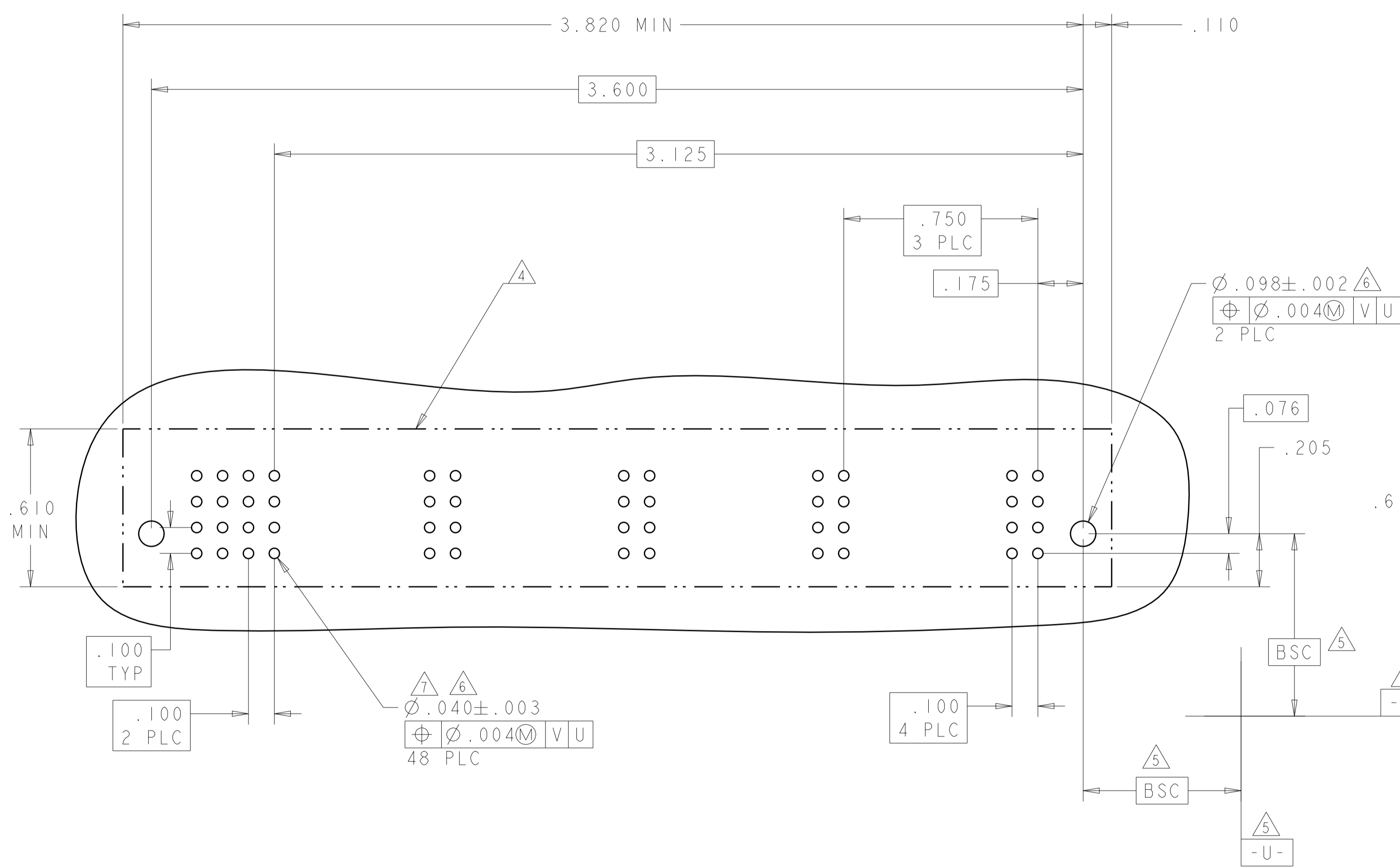
THIS DRAWING IS A CONTROLLED DOCUMENT.		DMN S. ZHAO 18JUN2008	TE Connectivity
DIMENSIONS: INCHES		CHK S. ZHAO 18JUN2008	
TOLERANCES UNLESS OTHERWISE SPECIFIED:		APVD S. ZHAO 18JUN2008	NAME VERTICAL RECEPTACLE W/ P+S MULTI-BEAM XLE
0 PLC ±.1	1 PLC ±.02	PRODUCT SPEC 108-2292	SIZE CAGE CODE DRAWING NO. RESTRICTED TO
2 PLC ±.02	3 PLC ±.005	APPLICATION SPEC 114-13251	A100779C=6450862
4 PLC ±.0020	ANGLES ±.7°	WEIGHT	SCALE 2:1 SHEET 4 OF 9 REV D7
MATERIAL	FINISH	CUSTOMER DRAWING	

LOC	DIST	REV	DATE	BY	APPV
ES	00				
		REVISIONS			
		DESCRIPTION	DATE	BY	APPV
		SEE SHEET 1			

PART NUMBER	ROWS	SIGNAL				POWER													
		4	3	2	1	P12	P11	P10	P9	P8	P7	P6	P5	P4	P3	P2	P1		
6450862-6	D C B A	AP	AP	AP	AP														
		AP	AP	AP	AP			GP			GS			GS					
		AP	AP	AP	AP														
		AP	AP	AP	AP														

PART NUMBER	ROWS	SIGNAL					POWER							
		5	4	3	2	1	P6	P5	P4	P3	P2	P1		
I-6450862-6	D C B A	AP	AP	AP	AP	AP								
		AP	AP	AP	AP	AP	GP	GP	GP	GP	GS	GS		
		AP	AP	AP	AP	AP								
		AP	AP	AP	AP	AP								

NO CONTACT LOADED

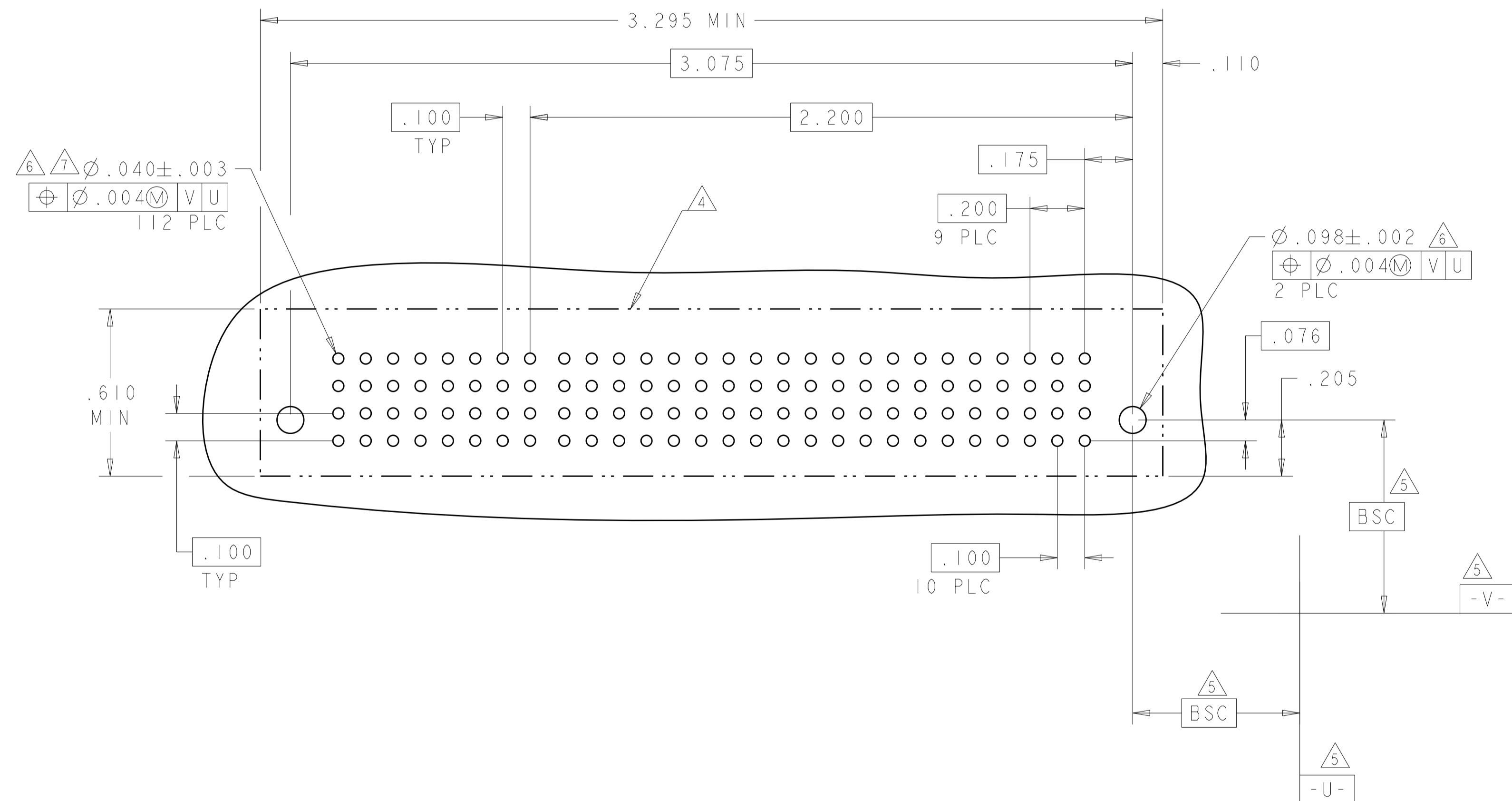
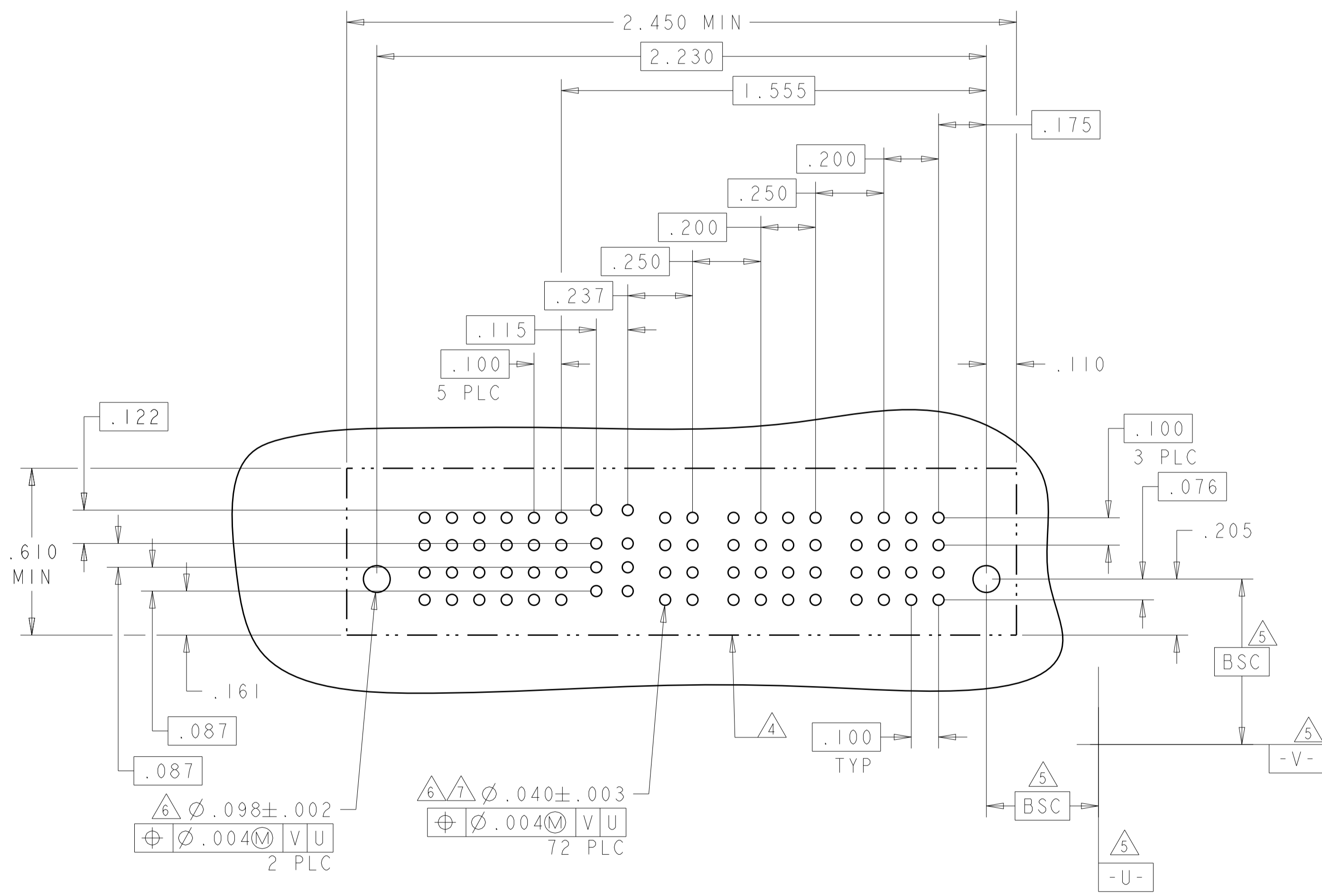
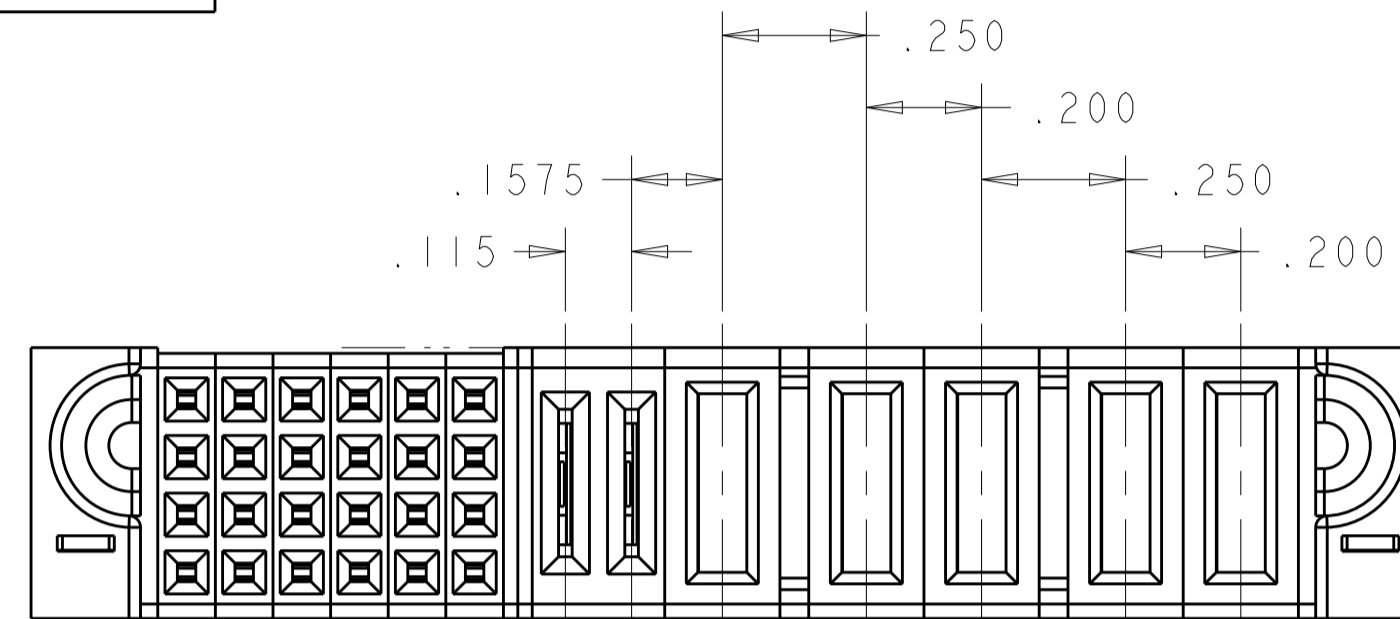


THIS DRAWING IS A CONTROLLED DOCUMENT.		OWN: S. ZHAO 18JUN2008	 TE Connectivity
DIMENSIONS: INCHES		CHK: S. ZHAO 18JUN2008	
TOLERANCES UNLESS OTHERWISE SPECIFIED:		APPV: S. ZHAO 18JUN2008	
0 PLC $\pm .1$ 1 PLC $\pm .02$ 2 PLC $\pm .02$ 3 PLC $\pm .005$ 4 PLC $\pm .002$ ANGLES $\pm .020$		PRODUCT SPEC: 108-2292 APPLICATION SPEC: 114-13251 WEIGHT: - CUSTOMER DRAWING	
MATERIAL: -		NAME: VERTICAL RECEPTACLE W/ P+S MULTI-BEAM XLE	RESTRICTED TO: -
SCALE: 2:1		SIZE: A1	REV: 07

LOC	DIST	REVISIONS				
ES	00	REV	DATE	BY	APPROV	
		1				
		2	SEE SHEET 1			

PART NUMBER	ROWS	SIGNAL						POWER							
		6	5	4	3	2	1	LP2	LPI	P5	P4	P3	P2	P1	
I-6450862-4	D	AP	AP	AP	AP	AP	AP	LSI	LSI	GP	GP	GP	GS	GS	
	C	AP	AP	AP	AP	AP	AP								
	B	AP	AP	AP	AP	AP	AP								
	A	AP	AP	AP	AP	AP	AP								
5P+2LP+24S															

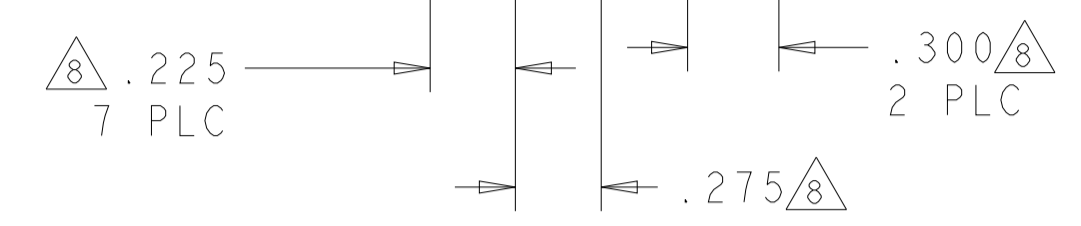
PART NUMBER	ROWS	SIGNAL								POWER									
		8	7	6	5	4	3	2	1	P10	P9	P8	P7	P6	P5	P4	P3	P2	P1
I-6450862-5	D	AP	AP	AP	AP	AP	AP	AP	AP	GS	GS	GS	GS	GS	GS	GS	GS	GS	GS
	C	AP	AP	AP	AP	AP	AP	AP	AP										
	B	AP	AP	AP	AP	AP	AP	AP	AP										
	A	AP	AP	AP	AP	AP	AP	AP	AP										
10HDP + 32S																			



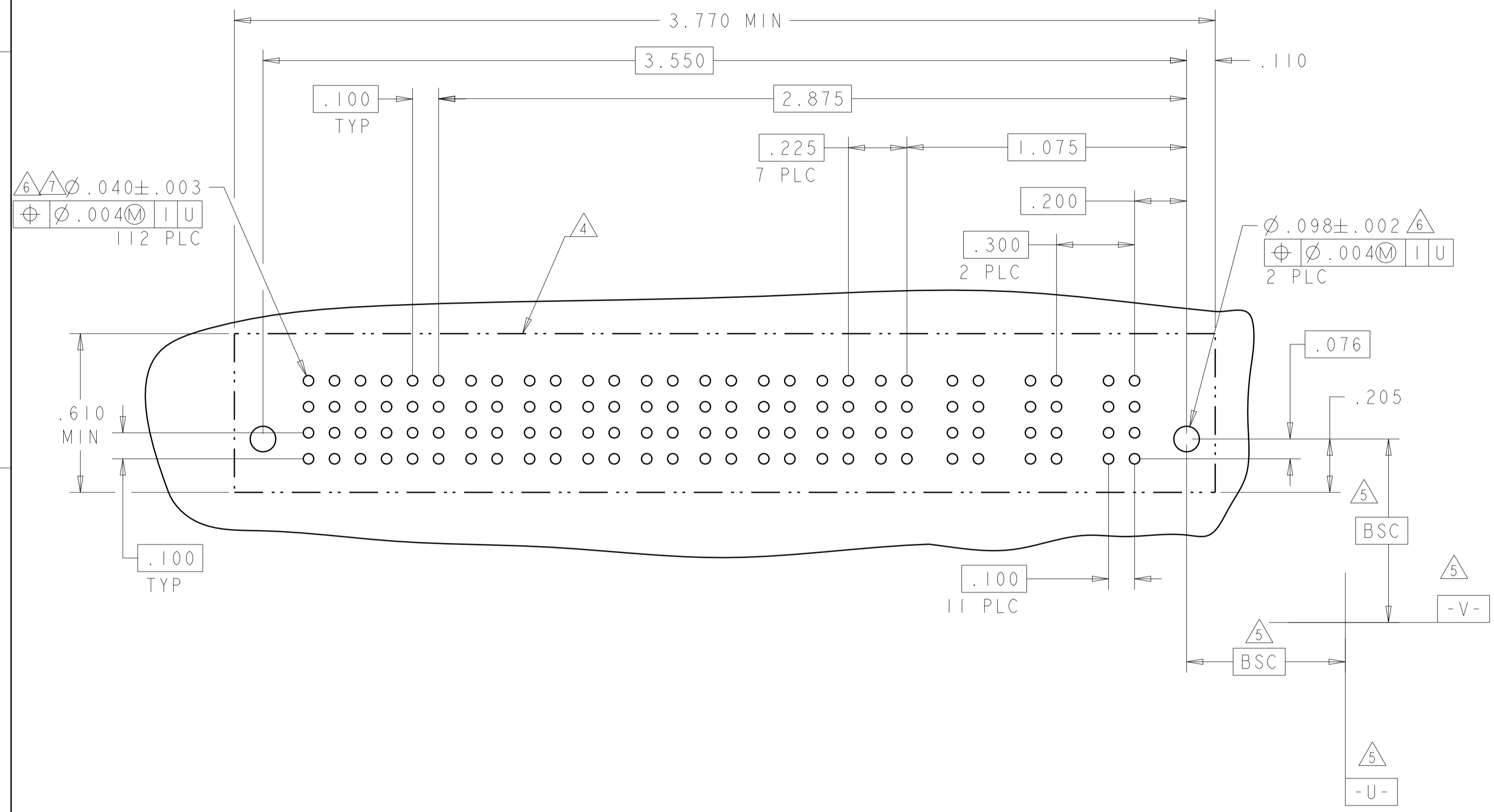
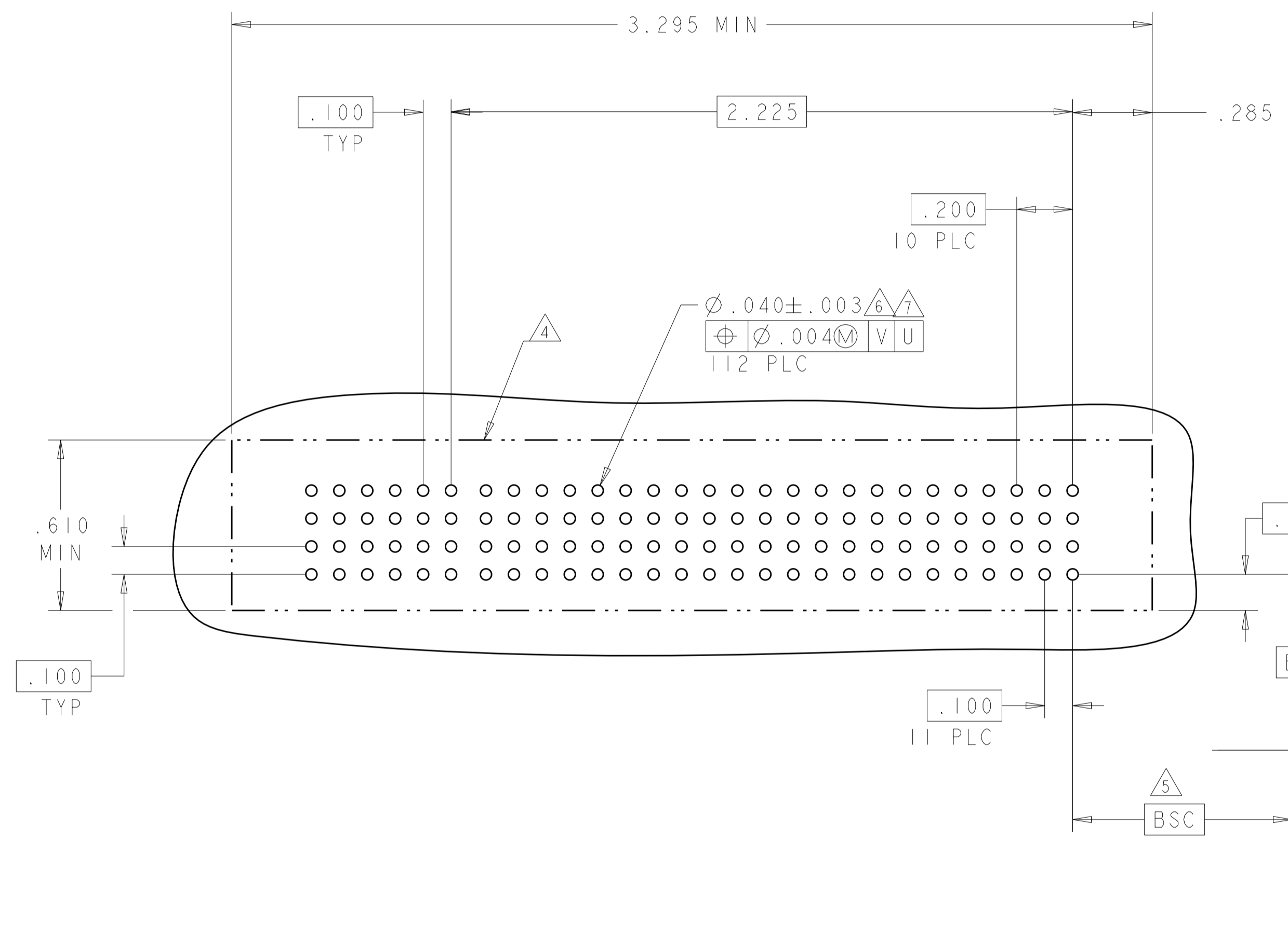
THIS DRAWING IS A CONTROLLED DOCUMENT.		OWN S. ZHAO	18JUN2008	TE TE Connectivity
DIMENSIONS:		CHK S. ZHAO	18JUN2008	
INCHES		APP'D S. ZHAO	18JUN2008	
TOLERANCES UNLESS OTHERWISE SPECIFIED:		NAME		
0 PLC ±		PRODUCT SPEC		
1 PLC ±.1		108-2292		
2 PLC ±.02		APPLICATION SPEC		
3 PLC ±.005		114-13251		
4 PLC ±.0020		WEIGHT		
ANGLES ±.2°		CUSTOMER DRAWING		
FINISH		SCALE 2:1		
MATERIAL		SHEET 6 OF 9		
		REV 07		

LOC		DIST		REVISIONS			
ES	00	P	LTN	DESCRIPTION	DATE	DMN	APVD
-	-	-	-	SEE SHEET 1	-	-	-

PART NUMBER	ROWS	SIGNAL						POWER											
		6	5	4	3	2	1	P11	P10	P9	P8	P7	P6	P5	P4	P3	P2	P1	
I-6450862-7	D C B A	AP	AP	AP	AP	AP	AP	GS	GS	GS	GS	GS	GS	GS	GP	GS	GS	GS	
		AP	AP	AP	AP	AP	AP	GS	GS	GS	GS	GS	GS	GS	GS	GS	GS	GS	
		AP	AP	AP	AP	AP	AP	GS	GS	GS	GS	GS	GS	GS	GS	GS	GS	GS	
3ACP + 8P + 24S		HD																HD	



PART NUMBER	ROWS	SIGNAL						POWER											
		6	5	4	3	2	1	P11	P10	P9	P8	P7	P6	P5	P4	P3	P2	P1	
I-6450862-8	D C B A	AP	AP	AP	AP	AP	AP	GS	GS	GS	GS	GS	GS	GS	GS	GS	GS	GS	
		AP	AP	AP	AP	AP	AP	GS	GS	GS	GS	GS	GS	GS	GS	GS	GS	GS	
		AP	AP	AP	AP	AP	AP	GS	GS	GS	GS	GS	GS	GS	GS	GS	GS	GS	
11HDP + 24S		HD																HD	



THIS DRAWING IS A CONTROLLED DOCUMENT.		DMN S. ZHAO 18JUN2008	 TE Connectivity
DIMENSIONS: INCHES		CHK S. ZHAO 18JUN2008	
TOLERANCES UNLESS OTHERWISE SPECIFIED:		APVD S. ZHAO 18JUN2008	
0 PLC ±.1 1 PLC ±.1 2 PLC ±.02 3 PLC ±.005 4 PLC ±.0020 ANGLES ±.2°		PRODUCT SPEC 108-2292	NAME VERTICAL RECEPTACLE W/ P+S MULTI-BEAM XLE
MATERIAL FINISH		APPLICATION SPEC 114-13251	RESTRICTED TO
		WEIGHT	SIZE CAGE CODE DRAWING NO. A100779C=6450862
		CUSTOMER DRAWING	SCALE 2:1 SHEET 7 OF 9 REV 07

LOC	DIST	REV	DATE	BY	CHK	APPV
ES	00					

PART NUMBER	ROWS	SIGNAL				POWER			
		2	1	P2	P1				
2-6450862-1	D C B A	AP	AP	LSI	LSI				
		AP	AP						
		AP	AP						
		AP	AP						

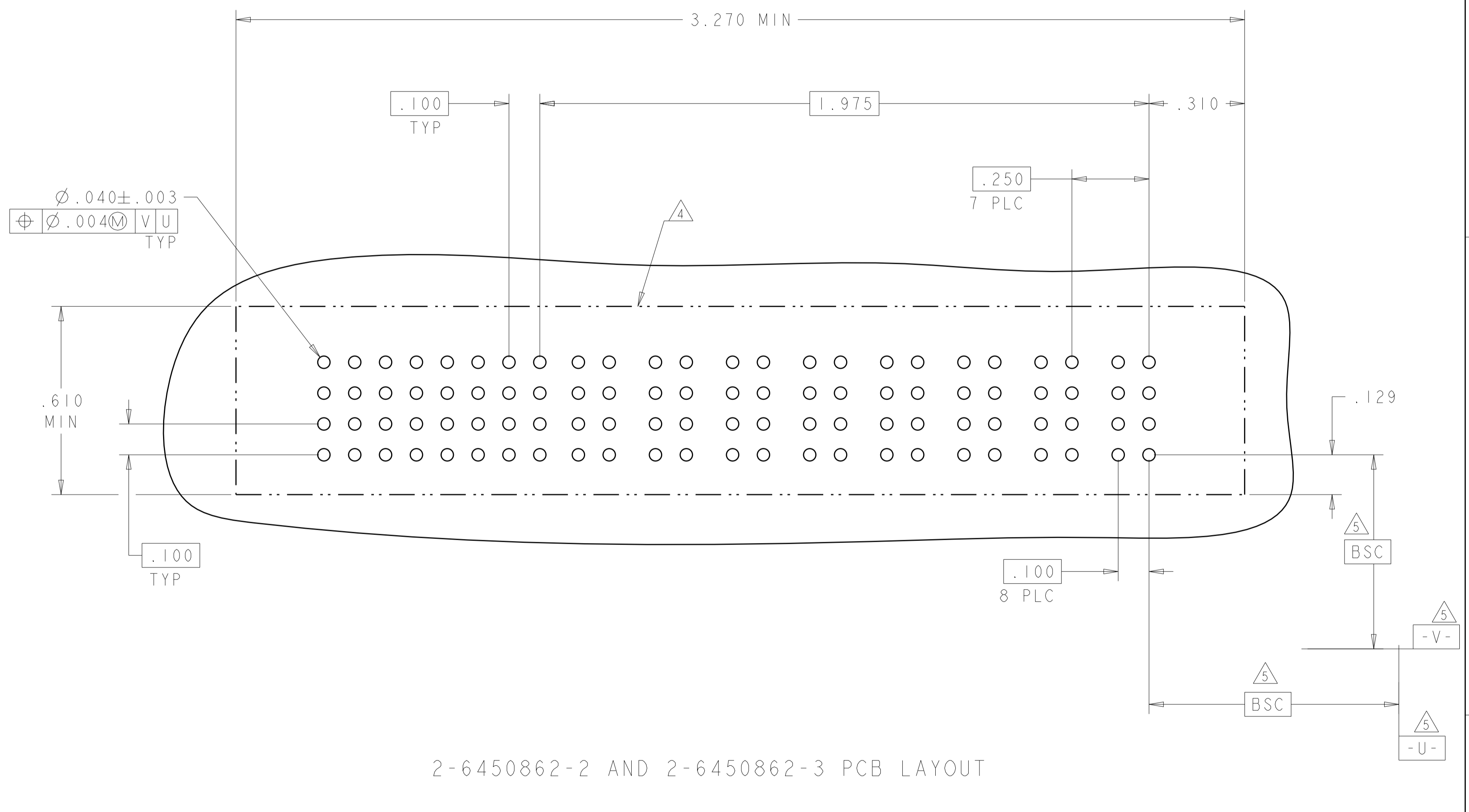
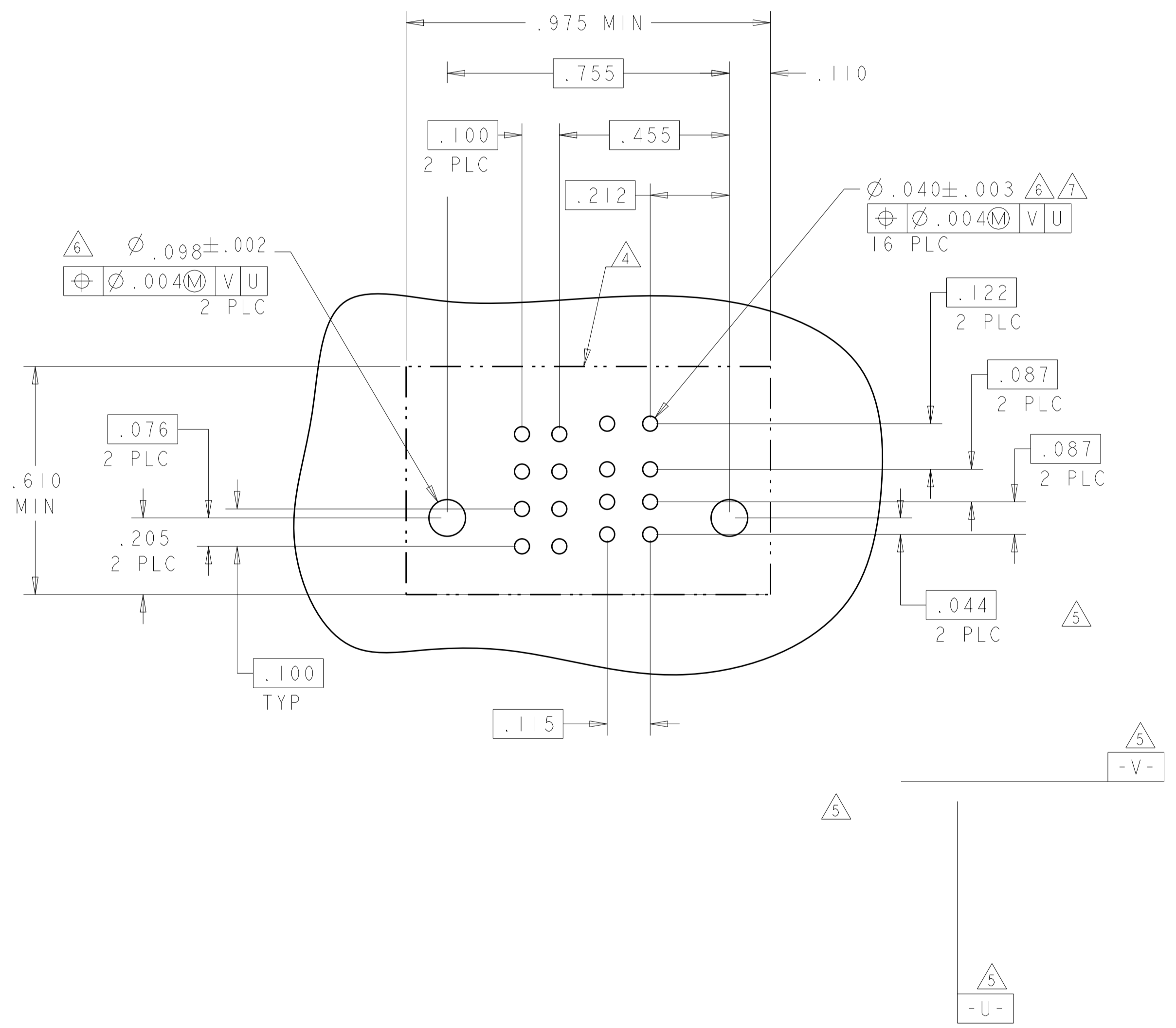
2LP + 8S

PART NUMBER	ROWS	SIGNAL								POWER							
		8	7	6	5	4	3	2	1	P8	P7	P6	P5	P4	P3	P2	P1
2-6450862-2	D C B A	AP	AP	AP	AP	AP	AP	AP	AP	GS	GS	GS	GS	GS	GS	GS	GS
		AP	AP	AP	AP	AP	AP	AP	AP								
		AP	AP	AP	AP	AP	AP	AP	AP								
		AP	AP	AP	AP	AP	AP	AP	AP								

8P + 32S

PART NUMBER	ROWS	SIGNAL								POWER							
		8	7	6	5	4	3	2	1	P8	P7	P6	P5	P4	P3	P2	P1
2-6450862-3	D C B A	AP	AP	AP	AP	AP	AP	AP	AP	GP	GS	GS	GS	GS	GS	GS	GS
		AP	AP	AP	AP	AP	AP	AP	AP								
		AP	AP	AP	AP	AP	AP	AP	AP								
		AP	AP	AP	AP	AP	AP	AP	AP								

8P + 32S

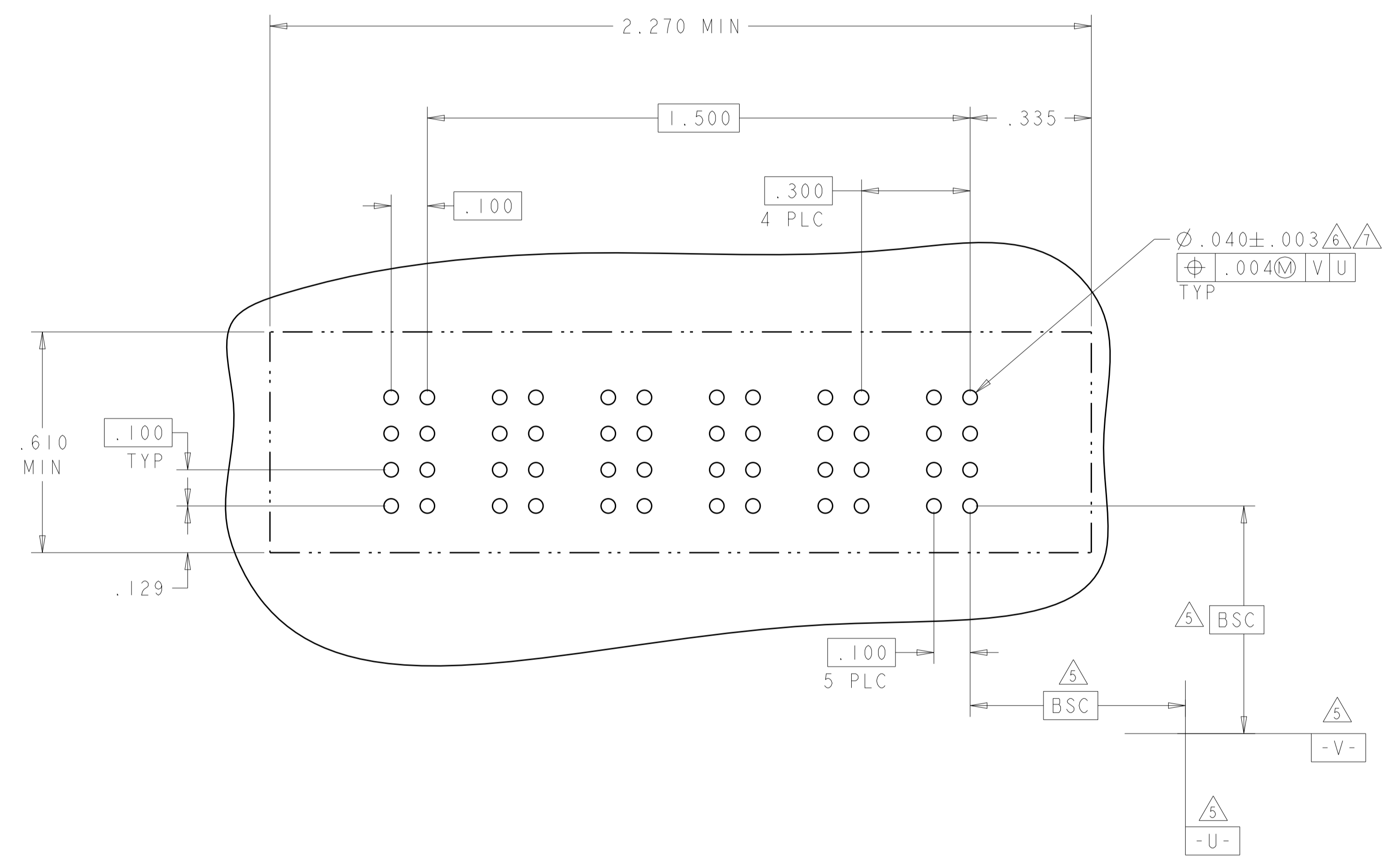


2-6450862-2 AND 2-6450862-3 PCB LAYOUT

DIMENSIONS:		TOLERANCES UNLESS OTHERWISE SPECIFIED:		APPROVALS:		NAME	PRODUCT SPEC	APPLICATION SPEC	RESTRICTED TO
INCHES		0 PLC	±.01	CHK	S. ZHAO				
		1 PLC	±.02	APPV	S. ZHAO	18JUN2008			
		2 PLC	±.05						
		3 PLC	±.0020						
		4 PLC	±.0020						
		ANGLES	±.0020						
		FINISH	±.0020						

LOC	DIST	REVISIONS			
P	LTN	DESCRIPTION	DATE	DWN	APVD
ES	00	SEE SHEET 1	-	-	-

PART NUMBER	ROWS	SIGNAL		POWER				
		2	1	P5	P4	P3	P2	P1
2-6450862-4	D	AP	AP	GP	GS	GS	GS	GS
	C	AP	AP					
	B	AP	AP					
	A	AP	AP					
5ACP + 8S								



THIS DRAWING IS A CONTROLLED DOCUMENT.		DWN S. ZHAO 18JUN2008	
DIMENSIONS: INCHES		CHK S. ZHAO 18JUN2008	
TOLERANCES UNLESS OTHERWISE SPECIFIED:		APVD S. ZHAO 18JUN2008	
0 PLC ±.1 1 PLC ±.1 2 PLC ±.02 3 PLC ±.005 4 PLC ±.0020 ANGLES ±.2°		PRODUCT SPEC 108-2292 APPLICATION SPEC 114-13251 WEIGHT - CUSTOMER DRAWING	
MATERIAL -		FINISH -	NAME VERTICAL RECEPTACLE W/ P+S MULTI-BEAM XLE SIZE A100779 C=6450862 SCALE 2:1 SHEET 9 OF 9 REV D7

Компания «Life Electronics» занимается поставками электронных компонентов импортного и отечественного производства от производителей и со складов крупных дистрибьюторов Европы, Америки и Азии.

С конца 2013 года компания активно расширяет линейку поставок компонентов по направлению коаксиальный кабель, кварцевые генераторы и конденсаторы (керамические, пленочные, электролитические), за счёт заключения дистрибьюторских договоров

Мы предлагаем:

- Конкурентоспособные цены и скидки постоянным клиентам.
- Специальные условия для постоянных клиентов.
- Подбор аналогов.
- Поставку компонентов в любых объемах, удовлетворяющих вашим потребностям.
- Приемлемые сроки поставки, возможна ускоренная поставка.
- Доставку товара в любую точку России и стран СНГ.
- Комплексную поставку.
- Работу по проектам и поставку образцов.
- Формирование склада под заказчика.
- Сертификаты соответствия на поставляемую продукцию (по желанию клиента).
- Тестирование поставляемой продукции.
- Поставку компонентов, требующих военную и космическую приемку.
- Входной контроль качества.
- Наличие сертификата ISO.

В составе нашей компании организован Конструкторский отдел, призванный помогать разработчикам, и инженерам.

Конструкторский отдел помогает осуществить:

- Регистрацию проекта у производителя компонентов.
- Техническую поддержку проекта.
- Защиту от снятия компонента с производства.
- Оценку стоимости проекта по компонентам.
- Изготовление тестовой платы монтаж и пусконаладочные работы.



Тел: +7 (812) 336 43 04 (многоканальный)

Email: org@lifeelectronics.ru