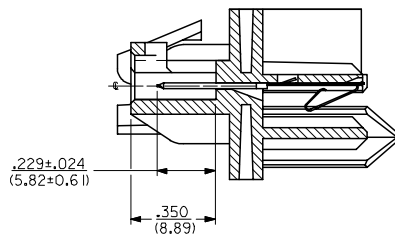
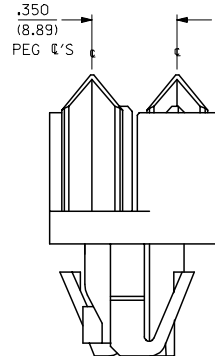
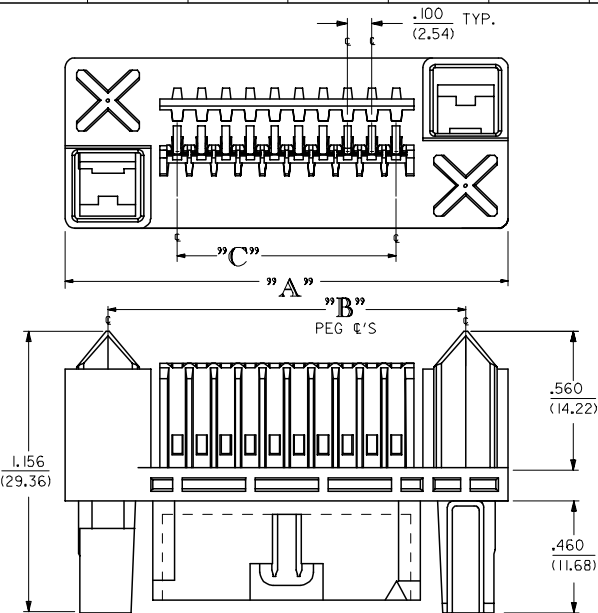
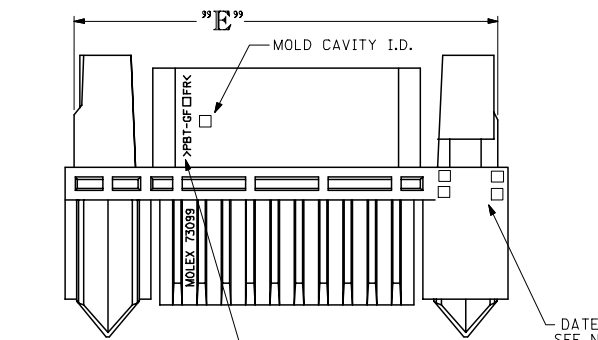
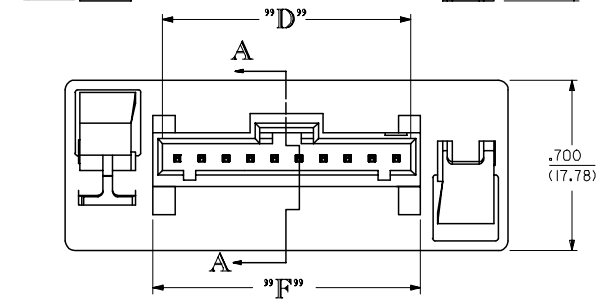


STANDARD SL
OPTION (TYPE "A")
73099-02XX
OR
73099-92XX

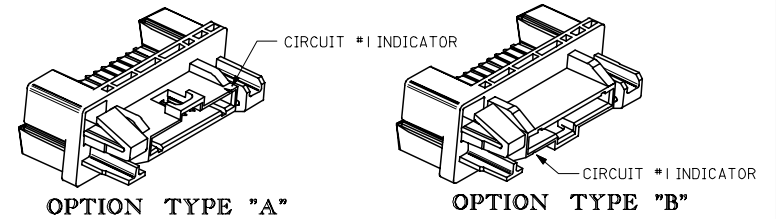


SECTION A-A



DATE CODE
SEE NOTE 5

SEE NOTE 6.

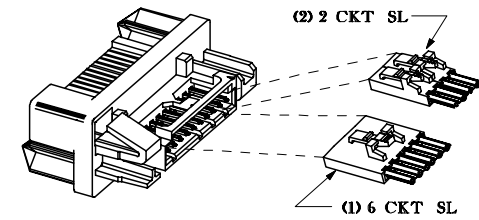


OPTION TYPE "A"

OPTION TYPE "B"

OPTION "A" VS OPTION "B"

OPTION "A" MATED TO OPTION "A": CKT. 1 MATCHES WITH CKT. 1
OPTION "A" MATED TO OPTION "B": CKT. 1 MATCHES WITH CKT. 10
(BOTH OPTIONS "A" AND "B" PICTURED ABOVE ARE OF
STANDARD DRAWER VARIATION - SEE NOTE 9.)



STANDARD VS CUSTOM

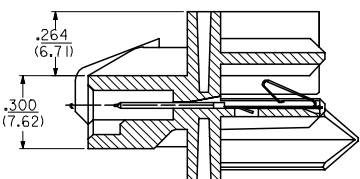
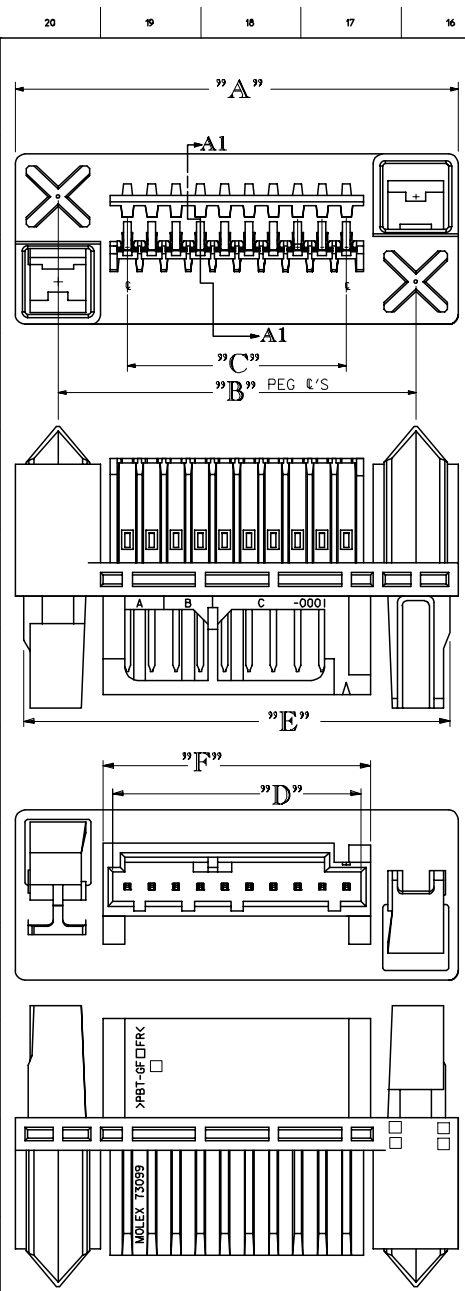
SEE NOTE 8. AND 9. (CUSTOM 10 CKT. PICTURED)

NOTES:

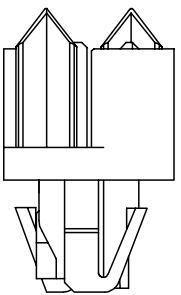
- MATERIAL:
HOUSING: GOLD FILLED POLYESTER UL 94V-0, COLOR BLACK.
TERMINAL: BERYLLIUM COPPER
- PLATING:
.000050 U' (.27 MICRON) MIN. GOLD PLATE ON CANTILEVER AREA, .000015 MIN. GOLD PLATE ON SELECT SL TAIL AREA, NICKEL PLATE OVER-ALL.
- SEE SHEET 4 FOR PART NUMBERS AND TABULATED DIMENSIONS.
- PRODUCT CONFORMS TO PS-73099-*****.
- HOT STAMP DATE CODE IS WEEK, YEAR.
- RECYCLING LOGO TO APPEAR WHERE ROOM IS AVAILABLE.
- SEE SHEET 3 FOR PANEL MOUNTING AND MATING DETAILS.
- 73099-***** CONNECTOR ALSO MATES WITH "SL" SERIES 70066, 70400, AND 70430.
- PRODUCT DESCRIBED AS 'STANDARD' MATES ONLY WITH EQUIVALENT CKT. SIZE CONNECTOR (10 CKT. DRAWER CONNECTOR TO 10 CKT. SL). PRODUCT DESCRIBED AS 'CUSTOM' ALLOWS A PREDETERMINED COMBINATION OF SL CONNECTORS WITH VARYING CIRCUIT SIZES TO BE USED WHEN THE COMBINATION'S TOTAL CIRCUITS ADD UP TO THE DRAWER CONNECTOR'S CIRCUIT SIZE (10 CKT. DRAWER CONNECTOR TO TWO 2 CKT. & ONE 6 CKT. SL).

4	A
3	A
2	A
1	A
SHT REV	

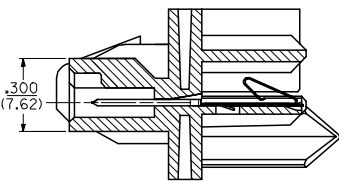
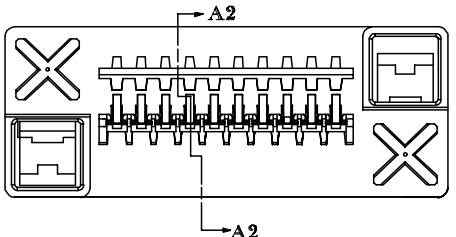
INITIAL RELEASE EC NO. UCP2006-0364 2005/11/12 DRWNSWART CHKD:BBARKER 2005/11/19 APPR:SMILLER 2005/11/19 DESCRIPTION A	QUALITY SYMBOLS	GENERAL TOLERANCES (UNLESS SPECIFIED)	DIMENSION STYLE IN/MM	SCALE 4:1	DESIGN UNITS INCH	THIRD ANGLE PROJECTION	SHEET NO. 1 OF 4
	$\nabla=0$ $\nabla=0$	4 PLACES ± --- ± --- 3 PLACES ± --- ± .010 2 PLACES ± 0.25 ± .014 1 PLACE ± 0.36 ± --- ANGULAR ± 1/2°	DRAWN BY MIBARRA DATE 2005/11/23 CHECKED BY BBARKER DATE 2005/11/23 APPROVED BY SMILLER DATE 2005/11/23	TITLE	DOCUMENT NO.	HERMAPHRODITIC SL DRAWER CONNECTOR SALES ASSEMBLY MOLEX INCORPORATED	
	DRAFT WHERE APPLICABLE MUST REMAIN WITHIN DIMENSIONS	SEE TABLE	MATERIAL NO.	SD-73099-001			
	SIZE D	THIS DRAWING CONTAINS INFORMATION THAT IS PROPRIETARY TO MOLEX INCORPORATED AND SHOULD NOT BE USED WITHOUT WRITTEN PERMISSION					



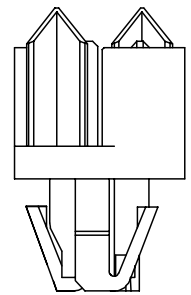
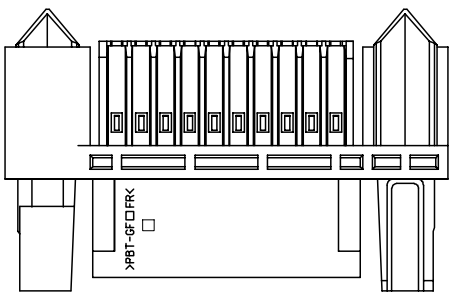
SECTION A1-A1



73099-9001
OPTION TYPE "A"



SECTION A2-A2



73099-9002
OPTION TYPE "B"

CUSTOM 10 CKT (OPTION "A" AND "B")

CUSTOM 10 MATES WITH THE FOLLOWING "SL" CIRCUIT SIZE COMBINATIONS:

- 1) 2 CKT., 2CKT., AND 6 CKT.
- 2) 4 CKT. AND 6 CKT.
- 3) 2 CKT. AND 8 CKT.
- 4) 10 CKT.

INITIAL RELEASE EC NO: UCP2006-0364 DRWNSMART 2005/12/12 CHKDBARKER 2005/12/19 APPR: SMILLER 2005/12/19 REV A	QUALITY SYMBOLS ▽=0 ▽=0	GENERAL TOLERANCES (UNLESS SPECIFIED)		DIMENSION STYLE IN/MM		SCALE 4:1	DESIGN UNITS INCH	THIRD ANGLE PROJECTION
		4 PLACES ± --- ± --- 3 PLACES ± --- ± .010 2 PLACES ± 0.25 ± .014 1 PLACE ± 0.36 ± --- ANGULAR ±1/2°	DRAWN BY MIBARRA DATE 2005/11/23	CHECKED BY BBARKER DATE 2005/11/23	APPROVED BY SMILLER DATE 2005/11/23	TITLE HERMAPHRODITIC SL DRAWER CONNECTOR SALES ASSEMBLY		MATERIAL NO. SEE TABLE
DRAFT WHERE APPLICABLE MUST REMAIN WITHIN DIMENSIONS		THIS DRAWING CONTAINS INFORMATION THAT IS PROPRIETARY TO MOLEX INCORPORATED AND SHOULD NOT BE USED WITHOUT WRITTEN PERMISSION						

PANEL DIMENSIONS

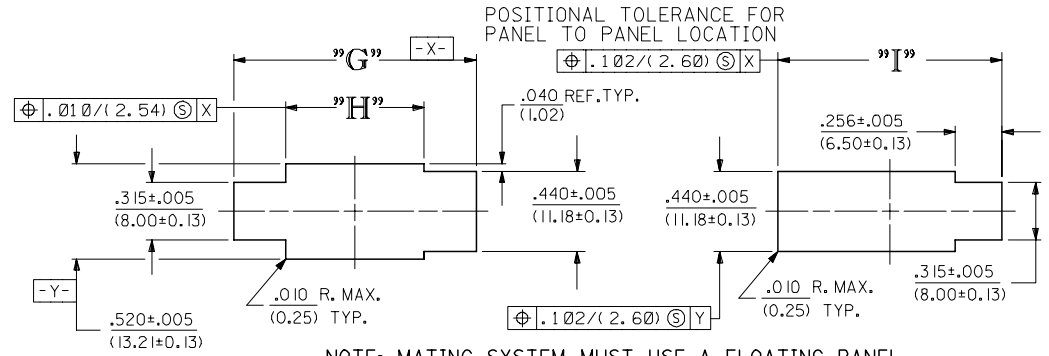
CKT. SIZE	DIM. "G" ± 0.010 (± 0.25)		DIM. "H" ± 0.010 (± 0.25)		DIM. "I" ± 0.010 (± 0.25)	
	INCH	(MM)	INCH	(MM)	INCH	(MM)
04	1.230	(31.24)	.660	(16.76)	1.128	(28.65)
06	1.430	(36.32)	.860	(21.84)	1.328	(33.73)
08	1.630	(41.40)	1.060	(26.92)	1.528	(38.81)
10	1.830	(46.48)	1.260	(32.00)	1.728	(43.89)
12	2.030	(51.56)	1.460	(37.08)	1.928	(48.97)

FLOATING PANEL VIEW

VIEW FROM PUNCH SIDE
(SCALE 3:1)

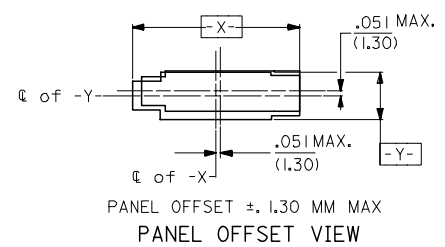
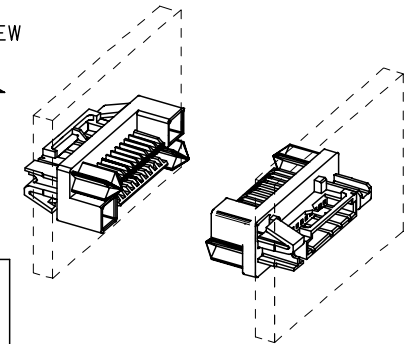
NON-FLOATING PANEL VIEW

VIEW FROM PUNCH SIDE
(SCALE 3:1)

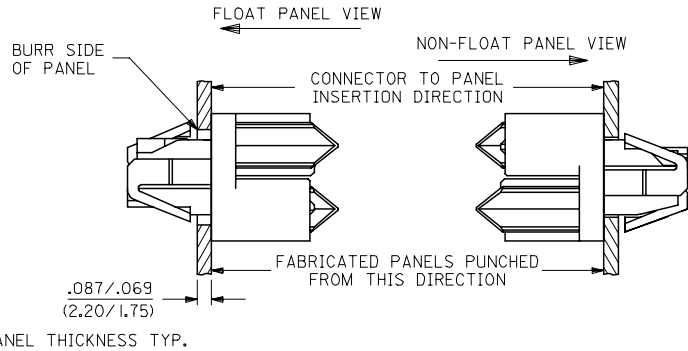


NOTE: MATING SYSTEM MUST USE A FLOATING PANEL IN CONJUNCTION WITH A NON-FLOATING PANEL.

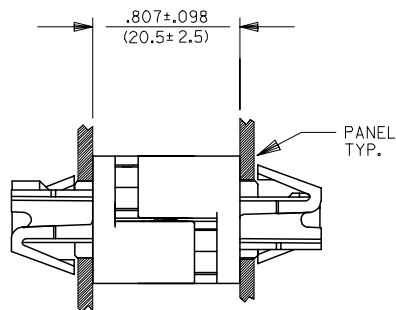
PANEL OFFSET VIEW



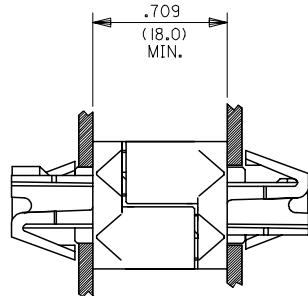
PANEL OFFSET ± 1.30 MM MAX
PANEL OFFSET VIEW



OPERATING PANEL CLOSURE DIMENSIONS



FULLY CLOSED CONNECTOR



INITIAL RELEASE EC NO. UCP2006-0364 DRAWNSWART 2005/11/12 CHKDBARKER 2005/12/19 APPR:SMILLER 2005/12/19	QUALITY SYMBOLS ▽=0 ▽=0	GENERAL TOLERANCES (UNLESS SPECIFIED)		DIMENSION STYLE		SCALE	DESIGN UNITS	THIRD ANGLE PROJECTION	
		mm	INCH	IN/MM		---	INCH		
		4 PLACES ± --- ± ---	3 PLACES ± --- ± ---	DRAWN BY	DATE	TITLE	HERMAPHRODITIC SL DRAWER CONNECTOR SALES ASSEMBLY		
		2 PLACES ± 0.25 ± 0.14	1 PLACE ± 0.36 ± ---	CHECKED BY	DATE	DATE	MOLEX MOLEX INCORPORATED		
ANGULAR ±1/2°		APPROVED BY		DATE	SD-73099-001		SHEET NO.		
DRAFT WHERE APPLICABLE MUST REMAIN WITHIN DIMENSIONS		SEE TABLE		MATERIAL NO.		3 OF 4			
THIS DRAWING CONTAINS INFORMATION THAT IS PROPRIETARY TO MOLEX INCORPORATED AND SHOULD NOT BE USED WITHOUT WRITTEN PERMISSION									

"STANDARD" DRAWER
PART NUMBERS

ASSEMBLY PART NUMBERS AND
DIMENSIONS BY CIRCUIT SIZE

"CUSTOM" DRAWER*
PART NUMBERS
(SEE NOTE 9., SHEET 1.)

STATUS	PART NUMBER	CKT. SIZE	OPTION TYPE (SEE SHEET 1)	DIM. "A"		DIM. "B"		DIM. "C"		DIM. "D"		DIM. "E"		DIM. "F"		STATUS	PART NUMBER	CKT. SIZE	OPTION TYPE (SEE SHEET 1)
				INCH	(MM)	INCH	(MM)	INCH	(MM)	INCH	(MM)	INCH	(MM)	INCH	(MM)				
X	SAME AS CUSTOM 04	04	A	1.220	(30.99)	.870	(22.10)	.300	(7.62)	.420	(10.67)	1.113	(28.27)	.500	(12.70)	X		04	A
X		04	B	1.220	(30.99)	.870	(22.10)	.300	(7.62)	.420	(10.67)	1.113	(28.27)	.500	(12.70)	X		04	B
X		06	A	1.420	(35.56)	1.070	(27.18)	.500	(12.70)	.620	(15.75)	1.313	(33.35)	.700	(17.78)	X		06	A
X		06	B	1.420	(35.56)	1.070	(27.18)	.500	(12.70)	.620	(15.75)	1.313	(33.35)	.700	(17.78)	X		06	B
X		08	A	1.620	(41.15)	1.270	(32.26)	.700	(17.78)	.820	(20.83)	1.513	(38.43)	.900	(22.86)	X		08	A
X		08	B	1.620	(41.15)	1.270	(32.26)	.700	(17.78)	.820	(20.83)	1.513	(38.43)	.900	(22.86)	X		08	B
X		10	A	1.820	(46.23)	1.470	(37.74)	.900	(22.86)	1.020	(25.91)	1.713	(43.51)	1.100	(27.94)	X		10	A
X		10	B	1.820	(46.23)	1.470	(37.74)	.900	(22.86)	1.020	(25.91)	1.713	(43.51)	1.100	(27.94)	X		10	B
X	73099-9221	12	A	2.020	(51.31)	1.670	(42.42)	1.100	(27.94)	1.220	(30.99)	1.913	(48.59)	1.300	(33.02)	X		12	A
X		12	B	2.020	(51.31)	1.670	(42.42)	1.100	(27.94)	1.220	(30.99)	1.913	(48.59)	1.300	(33.02)	X		12	B

X STATUS: PART NUMBERS WITH AN *X* IN THE STATUS COLUMN OR CIRCUIT SIZES WITH NO ASSOCIATED PART NUMBER DO NOT HAVE EXISTING TOOLING OR PRODUCTION CAPACITY.

* PREDETERMINED *SL* MATING ASSEMBLIES FOR *CUSTOM* ID ARE LISTED ON SHEET 2. COMBINATIONS OF *SL* MATING CIRCUIT SIZES FOR OTHER *CUSTOM* DRAWER ASSEMBLIES HAVE TO BE DETERMINED.

INITIAL RELEASE FCC NO. UCP2006-0364 DRAWNSMART 2005/12/12 CHKD:BBARKER 2005/12/19 APPR:SMILLER 2005/12/19 REVISIONS	QUALITY SYMBOLS	GENERAL TOLERANCES (UNLESS SPECIFIED)	DIMENSION STYLE	SCALE	DESIGN UNITS	THIRD ANGLE PROJECTION
	$\nabla=0$ $\sphericalangle=0$	mm INCH 4 PLACES ± --- ± --- 3 PLACES ± --- ± .010 2 PLACES ± 0.25 ± .014 1 PLACE ± 0.36 ± --- ANGULAR ±1/2°	IN/MM DRAWN BY DATE MIBARRA 2005/11/23 CHECKED BY DATE BBARKER 2005/11/23 APPROVED BY DATE SMILLER 2005/11/23	---	INCH	TITLE HERMAPHRODITIC SL DRAWER CONNECTOR SALES ASSEMBLY
		DRAFT WHERE APPLICABLE MUST REMAIN WITHIN DIMENSIONS	SEE TABLE	MATERIAL NO.	DOCUMENT NO.	SHEET NO.
				SD-73099-001	4 OF 4	

Компания «Life Electronics» занимается поставками электронных компонентов импортного и отечественного производства от производителей и со складов крупных дистрибьюторов Европы, Америки и Азии.

С конца 2013 года компания активно расширяет линейку поставок компонентов по направлению коаксиальный кабель, кварцевые генераторы и конденсаторы (керамические, пленочные, электролитические), за счёт заключения дистрибьюторских договоров

Мы предлагаем:

- Конкурентоспособные цены и скидки постоянным клиентам.
- Специальные условия для постоянных клиентов.
- Подбор аналогов.
- Поставку компонентов в любых объемах, удовлетворяющих вашим потребностям.
- Приемлемые сроки поставки, возможна ускоренная поставка.
- Доставку товара в любую точку России и стран СНГ.
- Комплексную поставку.
- Работу по проектам и поставку образцов.
- Формирование склада под заказчика.
- Сертификаты соответствия на поставляемую продукцию (по желанию клиента).
- Тестирование поставляемой продукции.
- Поставку компонентов, требующих военную и космическую приемку.
- Входной контроль качества.
- Наличие сертификата ISO.

В составе нашей компании организован Конструкторский отдел, призванный помогать разработчикам, и инженерам.

Конструкторский отдел помогает осуществить:

- Регистрацию проекта у производителя компонентов.
- Техническую поддержку проекта.
- Защиту от снятия компонента с производства.
- Оценку стоимости проекта по компонентам.
- Изготовление тестовой платы монтаж и пусконаладочные работы.



Тел: +7 (812) 336 43 04 (многоканальный)

Email: org@lifeelectronics.ru