

# VSC8488 and VSC8484

## Multichannel 10 Gbps XAUI to Serial Transceivers with EDC

Microsemi's multichannel 10 GbE transceivers capture the highest port density at the lowest cost.

Microsemi's dual channel and quad channel XAUI-to-serial transceivers, VSC8488 and VSC8484, deliver minimum cost per channel with maximum port densities at the lowest power. The devices achieve an excellent 1 W per channel power dissipation while supporting the increased port densities required for next-generation 10 Gbps platforms.

The VSC8488 and VSC8484 integrate Microsemi's world-class electronic dispersion compensation (EDC) performance across multiple data rates: 9.95 Gbps WAN, 10.3 Gbps Ethernet (GbE), and 10.5 Gbps Fibre Channel. The devices also meet the SFP+ SR/LR/LRM host requirements in accordance with the SFF-8431 and IEEE 802.3aq specifications.

The EDC capabilities are optimized by the VScope™ input signal monitoring integrated circuit, which delivers more accurate, in-line views of the post-equalization waveform.

The VSC8488 and VSC8484 compensate for optical impairments in SFP+ LRM applications, along with degradations of the PCB, while providing wide system margin for SR and LR applications. The transmit path incorporates a multi-tap output driver to provide the flexibility required to meet the demanding 10GBASE-KR (IEEE 802.3ap) standard.

A complete suite of BIST functionality includes line and client loopbacks along with pattern generation and error detection. Highly flexible clocking options support either LAN or WAN operation, along with seamless Synchronous Ethernet. Both devices include selectable lane ordering; the VSC8484 includes failover switching capability for protection routing.

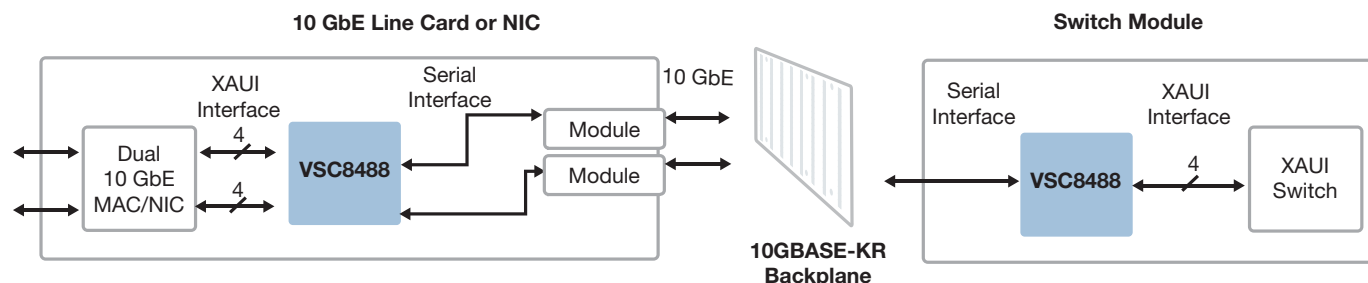
The VSC8488 device supports three serial interface configurations: MDIO, two-wire serial slave, and two-wire serial master. This highly flexible communication scheme, along with a minimum of 12 programmable GPIO pins, allows for independent control of the VSC8488 and VSC8484 channels while providing access to a wide range of device monitors and XFP/SFP+ module management.

### Highlights

- Minimum cost per channel

### Applications

- Multiple-port XAUI to SFI SFP+ line cards or NICs
- 10GBASE-KR-compliant backplane transceivers
- Synchronous Ethernet systems
- 10 GbE switch cards, router cards, and NICs



# VSC8488 and VSC8484

## Multichannel 10 Gbps XAUI to Serial Transceivers with EDC

### Wide Range of Support

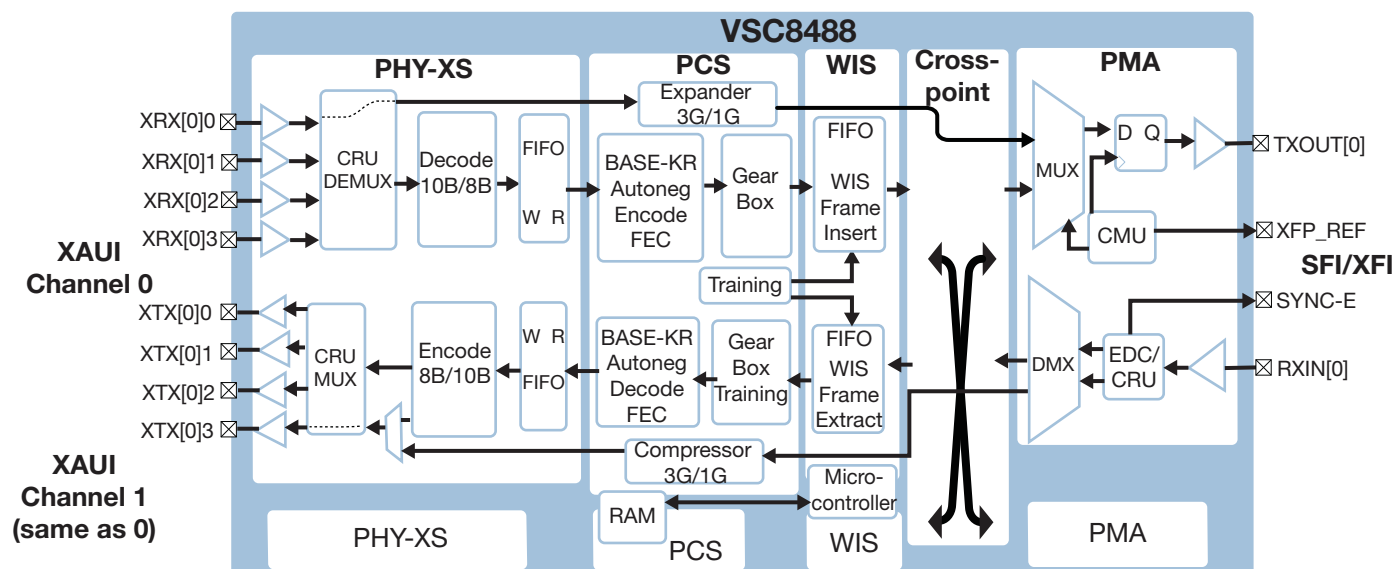
- Compliant with IEEE 802.3aq, IEEE 802.3ae, and SFF-8431 (SFI) electrical specifications
- 9.95 Gbps WAN, 10.3 GbE, and 10.5 Gbps Fibre Channel operation, as well as 1.25 Gbps and 3.125 Gbps legacy support
- Supports SFP+ and XFP SR/LR/LRM applications
- Support for 10GBASE-KR (IEEE 802.3ap) for 10 Gbps backplanes, including 1 Gbps and 10 Gbps autonegotiation
- Adaptive FFE/DFE receiver with programmable, multi-tap transmit pre-emphasis

### Key Specifications

- 1 W typical for each bidirectional channel
- 1.8 V and 1.2 V core power supplies (1.2 V to 3.3 VTTL supply)

### Flexibility

- Failover switching and lane ordering
- VScope for remote signal monitoring, optimal data eye opening, and lower BER
- Host-side and line-side loopbacks with BIST functions
- I/O programmability for lane swap, invert, amplitude, slew, pre-emphasis, and equalization
- Flexible clocking options enable Layer 1 support for Synchronous Ethernet
- Low power mode
- MDIO, two-wire serial slave, and two-wire serial master interfaces
- Passive copper cable support for minimum transmission cost



**Microsemi**

**Microsemi Corporate Headquarters**  
 One Enterprise, Aliso Viejo, CA 92656 USA  
 Within the USA: +1 (800) 713-4113  
 Outside the USA: +1 (949) 380-6100  
 Sales: +1 (949) 380-6136  
 Fax: +1 (949) 215-4996  
 email: sales.support@microsemi.com  
 www.microsemi.com

Microsemi Corporation (Nasdaq: MSCC) offers a comprehensive portfolio of semiconductor and system solutions for communications, defense and security, aerospace, and industrial markets. Products include high-performance and radiation-hardened analog mixed-signal integrated circuits, FPGAs, SoCs, and ASICs; power management products; timing and synchronization devices and precise time solutions; voice processing devices; RF solutions; discrete components; enterprise storage and communications solutions, security technologies, and scalable anti-tamper products; Ethernet solutions; Power-over-Ethernet ICs and midspans; custom design capabilities and services. Microsemi is headquartered in Aliso Viejo, California, and has approximately 4,800 employees worldwide. Learn more at [www.microsemi.com](http://www.microsemi.com).

Компания «Life Electronics» занимается поставками электронных компонентов импортного и отечественного производства от производителей и со складов крупных дистрибьюторов Европы, Америки и Азии.

С конца 2013 года компания активно расширяет линейку поставок компонентов по направлению коаксиальный кабель, кварцевые генераторы и конденсаторы (керамические, пленочные, электролитические), за счёт заключения дистрибьюторских договоров

Мы предлагаем:

- Конкуренспособные цены и скидки постоянным клиентам.
- Специальные условия для постоянных клиентов.
- Подбор аналогов.
- Поставку компонентов в любых объемах, удовлетворяющих вашим потребностям.
- Приемлемые сроки поставки, возможна ускоренная поставка.
- Доставку товара в любую точку России и стран СНГ.
- Комплексную поставку.
- Работу по проектам и поставку образцов.
- Формирование склада под заказчика.
- Сертификаты соответствия на поставляемую продукцию (по желанию клиента).
- Тестирование поставляемой продукции.
- Поставку компонентов, требующих военную и космическую приемку.
- Входной контроль качества.
- Наличие сертификата ISO.

В составе нашей компании организован Конструкторский отдел, призванный помогать разработчикам, и инженерам.

Конструкторский отдел помогает осуществить:

- Регистрацию проекта у производителя компонентов.
- Техническую поддержку проекта.
- Защиту от снятия компонента с производства.
- Оценку стоимости проекта по компонентам.
- Изготовление тестовой платы монтаж и пусконаладочные работы.



Тел: +7 (812) 336 43 04 (многоканальный)

Email: [org@lifeelectronics.ru](mailto:org@lifeelectronics.ru)