

# AC axial fans K series

General information

AC axial fans

AC axial S series

AC axial fans, K series

Ø 250 - Ø 450

132

AC axial K series

AC axial A series

EC axial fans

EC axial S series

Q-motor

ESM

EC-SYSTEMS

Accessories

Technology

Contacts



# AC axial fans

K series, Ø 250 / 300

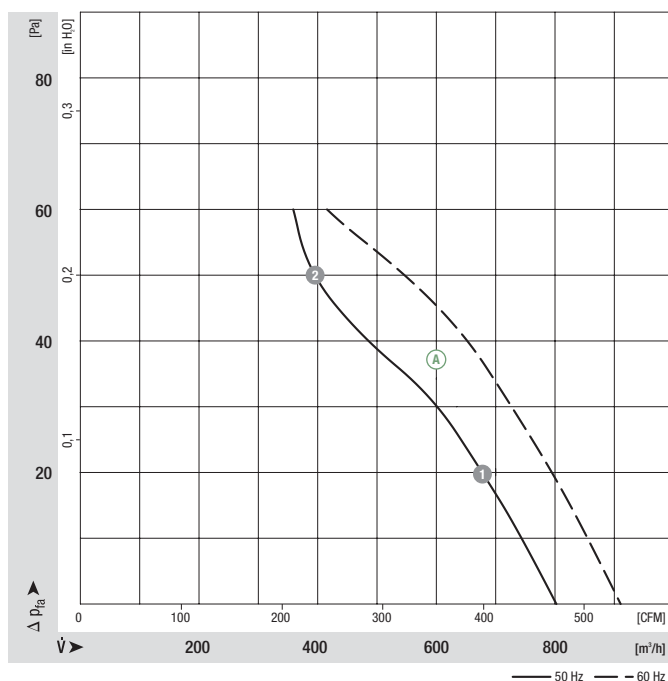


- **Material:** Guard grille: Steel, phosphated and coated in black plastic  
Blades: PA plastic, black  
Rotor: Coated in black
- **Number of blades:** 5
- **Direction of rotation:** Direction of air flow "V" counter-clockwise, direction of air flow "A" clockwise, seen on rotor
- **Type of protection:** IP 44
- **Insulation class:** "B"
- **Mounting position:** Shaft horizontal or rotor on bottom; rotor on top on request
- **Condensate discharges:** Rotor-side
- **Mode of operation:** Continuous operation (S1)
- **Bearings:** Maintenance-free ball bearings

Nominal data		Curve	Nominal voltage	Frequency	Air flow	Speed/rpm	Power input	Current draw	Capacitor	Sound pressure level	Max. operative range	Perm. amb. temp.	Mass without attachments	Electr. connection
Type	Motor	VAC	Hz	m³/h	rpm	W	A	µF/VDB	dB(A)	Pa	°C	kg	p. 416 f.	
*4E 250	M4E 068-BF	A	1~ 230	50	800	1350	41	0.18	1.5/400	47	60	-25 to +60	1.2	A1)
			1~ 230	60	910	1550	50	0.23	1.5/400	50	60	-25 to +70		
*4E 300-*E	M4E 068-BF	B	1~ 230	50	1100	1100	52	0.23	1.5/400	53	50	-25 to +45	1.3	A1)
			1~ 230	60	1150	1150	60	0.27	1.5/400	54	50	-25 to +40		
*4E 300-*H	M4E 068-CF	C	1~ 230	50	1340	1350	70	0.31	1.5/400	58	80	-25 to +60	1.7	A1)
			1~ 230	60	1460	1480	90	0.40	1.5/400	61	65	-25 to +55		

subject to alterations

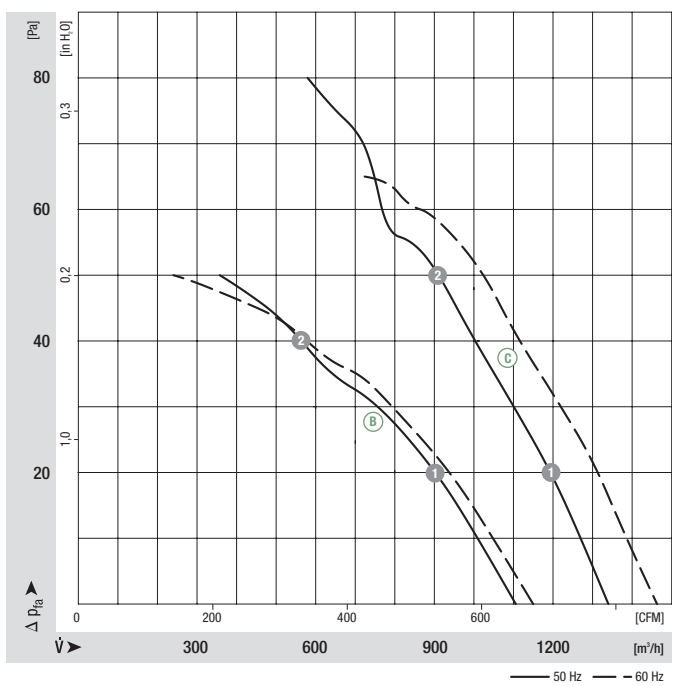
## Curves



- **Motor protection:** TOP wired internally
- **Cable exit:** (A) (C) Axial, (B) variable
- **Protection class:** I
- **Product conforming to standards:** EN 60335-1, CE

Direction of air flow	< "V"/"A" >	
	Without attachments	With guard grille for short nozzle
"V"	A4E 250-AE32 -05	S4E 250-AE32 -01
"A"	A4E 250-AE32 -06	S4E 250-AE32 -02
"V"	A4E 300-AE20 -05	S4E 300-EE20 -05
"A"	A4E 300-AE20 -06	S4E 300-EE20 -06
"V"	A4E 300-AH26 -05	S4E 300-EH26 -05
"A"	A4E 300-AH26 -06	S4E 300-EH26 -06

Curves



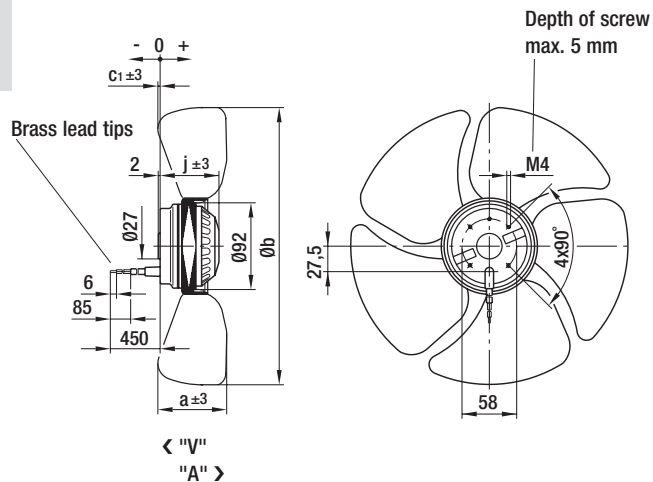
	n [rpm]	P <sub>1</sub> [W]	I [A]
(B) 1	1060	53	0.24
(B) 2	985	55	0.24
(C) 1	1325	71	0.32
(C) 2	1310	73	0.33

# AC axial fans

K series, Ø 250 / 300, drawings of directions of air flow "V" and "A"



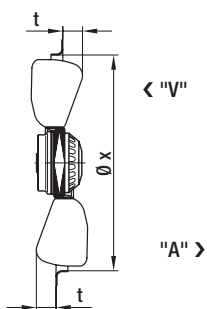
## Without attachments



## Type

Type	a	b	c <sub>1</sub>	j	
A4E 250-AE32 -05	"V"	68.0	250.0	-9.0	63.0
A4E 250-AE32 -06	"A"	68.0	250.0	-2.0	63.0
A4E 300-AE20 -05	"V"	75.0	294.0	-9.0	63.0
A4E 300-AE20 -06	"A"	75.0	294.0	-3.0	63.0
A4E 300-AH26 -05	"V"	75.0	294.0	-4.0	73.0
A4E 300-AH26 -06	"A"	75.0	294.0	-4.0	73.0

## Installation arrangement

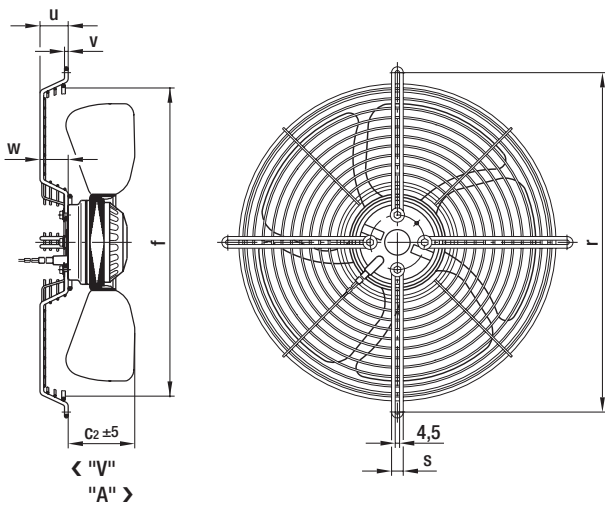


## Type

Type without attachments	Type without guard grille	t	x	
A4E 250-AE32 -05	S4E 250-AE32 -01	"V"	32.0	260.0
A4E 250-AE32 -06	S4E 250-AE32 -02	"A"	32.0	260.0
A4E 300-AE20 -05	S4E 300-EE20 -05	"V"	38.0	306.0
A4E 300-AE20 -06	S4E 300-EE20 -06	"A"	38.0	306.0
A4E 300-AH26 -05	S4E 300-EH26 -05	"V"	38.0	306.0
A4E 300-AH26 -06	S4E 300-EH26 -06	"A"	38.0	306.0



With guard grille for short nozzle



Type

		$c_2$	f	r	s	u	v	w
S4E 250-AE32 -01	"V"	25.0	271.0	300.0	13.5	67.5	4.5	33.5
S4E 250-AE32 -02	"A"	36.0	271.0	300.0	13.5	67.5	4.5	33.5
S4E 300-EE20 -05	"V"	66.0	—	360.0	12.5	30.0	4.0	26.0
S4E 300-EE20 -06	"A"	72.0	—	360.0	12.5	30.0	4.0	26.0
S4E 300-EH26 -05	"V"	71.0	—	360.0	12.5	30.0	4.0	26.0
S4E 300-EH26 -06	"A"	71.0	—	360.0	12.5	30.0	4.0	26.0

# AC axial fans

K series, Ø 350



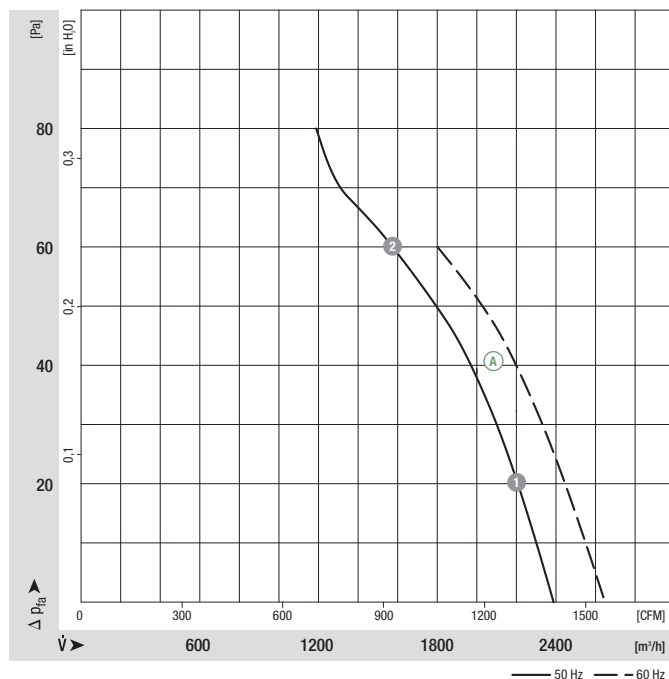
- **Material:** Guard grille: Steel, phosphated and coated in black plastic  
Blades: PA plastic, black  
Rotor: Coated in black
- **Number of blades:** 7
- **Direction of rotation:** Direction of air flow "V" counter-clockwise, direction of air flow "A" clockwise, seen on rotor
- **Type of protection:** IP 44
- **Insulation class:** "B"
- **Mounting position:** Shaft horizontal or rotor on bottom; rotor on top on request
- **Condensate discharges:** Rotor-side
- **Mode of operation:** Continuous operation (S1)
- **Bearings:** Maintenance-free ball bearings

## Nominal data

Type	Motor	Curve	Nominal voltage VAC	Frequency Hz	Air flow m³/h	Speed/rpm	Power input W	Current draw A	Capacitor µF/VDB	Sound pressure level dB(A)	Max. operative range Pa	Perm. amb. temp. °C	Mass without attachments kg	Electr. connection p. 416 f.
*4E 350	M4E 068-DC	Ⓐ	1~ 230 1~ 230	50 60	2390 2650	1350 1500	105 135	0.50 0.60	3.0/400 3.0/400	63 66	80 60	-25 to +50 -25 to +40	2.0	A1)

subject to alterations

## Curves



- **Motor protection:** TOP wired internally
- **Cable exit:** Axial
- **Protection class:** I
- **Product conforming to standards:** EN 60335-1, CE

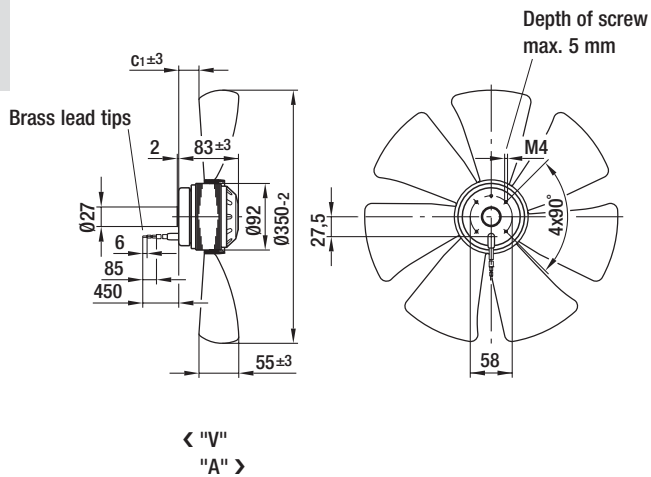
Direction of air flow	< "V"/"A" >	
	Without attachments	With guard grille for short nozzle
"V"	A4E 350-AF20 -05	S4E 350-AF20 -01
"A"	A4E 350-AF20 -06	S4E 350-AF20 -02

# AC axial fans

K series, Ø 350, drawings of directions of air flow "V" and "A"



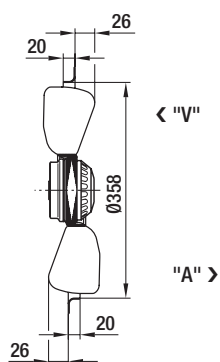
## Without attachments



## Type

Type		c <sub>1</sub>
A4E 350-AF20 -05	"V"	18.0
A4E 350-AF20 -06	"A"	28.0

## Installation arrangement



## Type

without attachments

## Type

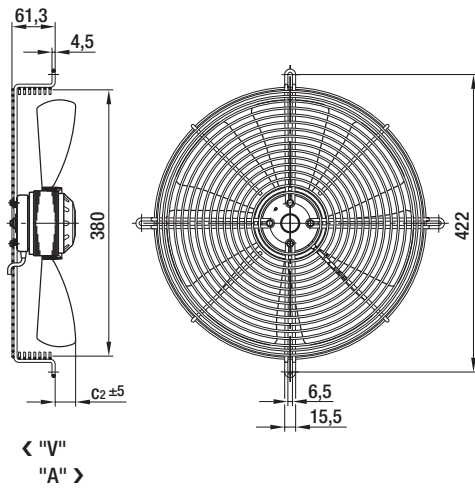
without guard grille

A4E 350-AF20 -05	S4E 350-AF20 -01	"V"
A4E 350-AF20 -06	S4E 350-AF20 -02	"A"





With guard grille for short nozzle



Type

Type		c <sub>2</sub>
S4E 350-AF20 -01	"V"	19.0
S4E 350-AF20 -02	"A"	29.0

# AC axial fans

K series, Ø 360

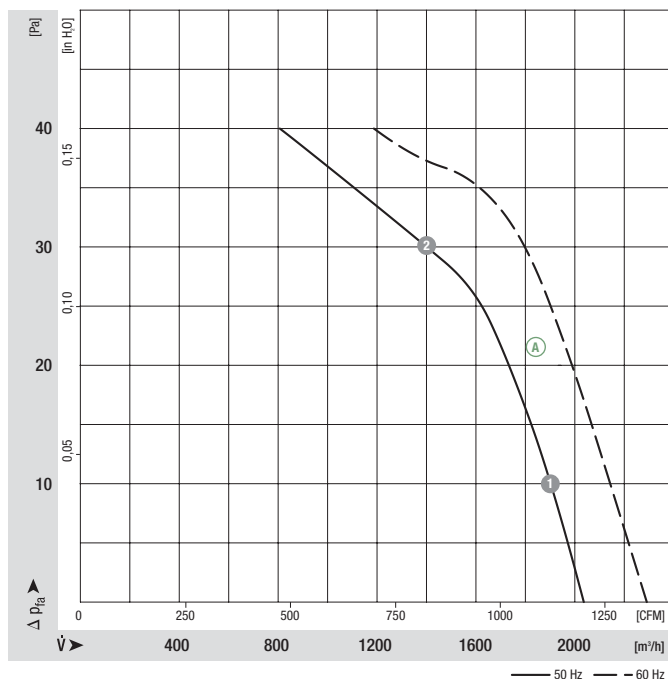


- **Material:** Guard grille: Steel, phosphated and coated in black plastic  
Blades: PA plastic, black  
Rotor: Coated in black
- **Number of blades:** 3
- **Direction of rotation:** Direction of air flow "V" counter-clockwise, direction of air flow "A" clockwise, seen on rotor
- **Type of protection:** IP 44
- **Insulation class:** "B"
- **Mounting position:** Shaft horizontal or rotor on bottom; rotor on top on request
- **Condensate discharges:** Rotor-side
- **Mode of operation:** Continuous operation (S1)
- **Bearings:** Maintenance-free ball bearings

Nominal data		Curve	Nominal voltage	Frequency	Air flow	Speed/rpm	Power input	Current draw	Capacitor	Sound pressure level	Max. operative range	Perm. amb. temp.	Mass without attachments	Electr. connection
Type	Motor	VAC	Hz	m³/h	rpm	W	A	µF/VDB	dB(A)	Pa	°C	kg	p. 416 f.	
*6E 360	M6E 068-DF	Ⓐ 1~ 230 1~ 230	50 60	2030 2290	850 960	65 85	0.29 0.38	2.5/400 2.5/400	46 51	40 40	-25 to +50 -25 to +40	2.0	A1)	

subject to alterations

## Curves



- **Motor protection:** TOP wired internally
- **Cable exit:** Axial
- **Protection class:** I
- **Product conforming to standards:** EN 60335-1, CE

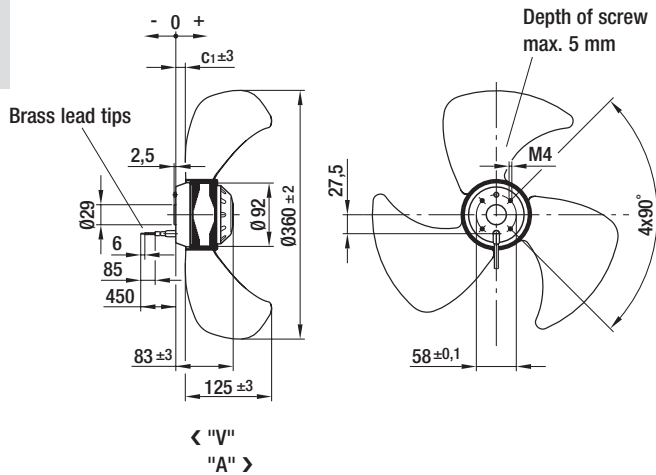
Direction of air flow "V" "A"	< "V"/"A" >	
	Without attachments	With guard grille for short nozzle
"V"	A6E 360-AE08 -01	S6E 360-AE08 -01
"A"	A6E 360-AE08 -02	—

# AC axial fans

K series, Ø 360, drawings of directions of air flow "V" and "A"



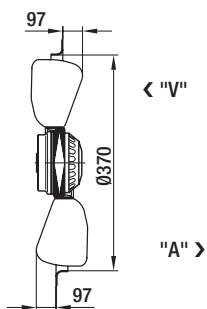
## Without attachments



## Type

Type		c <sub>1</sub>
A6E 360-AE08 -01	"V"	13.0
A6E 360-AE08 -02	"A"	-42.0

## Installation arrangement



## Type without attachments

Type without attachments	Type without guard grille	
A6E 360-AE08 -01	S6E 360-AE08 -01	"V"
A6E 360-AE08 -02	—	"A"

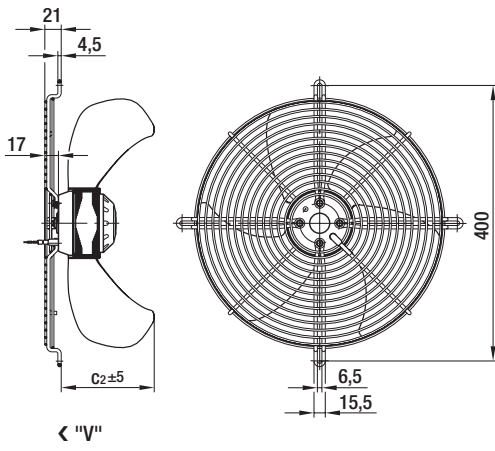


### With guard grille for short nozzle

Type

c<sub>2</sub>

S6E 360-AE08 -01 "V" 134.0



# AC axial fans

K series, Ø 360

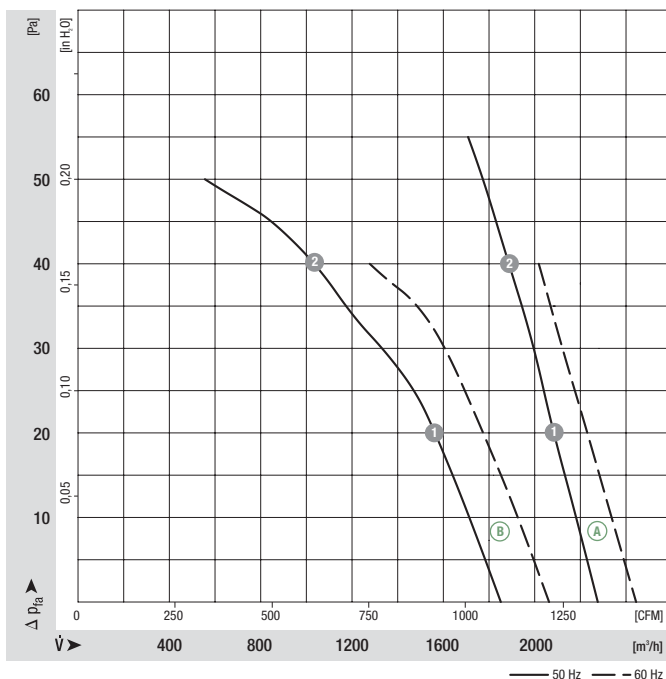


- **Material:** Guard grille: Steel, phosphated and coated in black plastic  
Blades: PA plastic, black  
Rotor: Coated in black
- **Number of blades:** 4
- **Direction of rotation:** Direction of air flow "V" counter-clockwise, direction of air flow "A" clockwise, seen on rotor
- **Type of protection:** IP 44
- **Insulation class:** "B"
- **Mounting position:** Shaft horizontal or rotor on bottom; rotor on top on request
- **Condensate discharges:** Rotor-side
- **Mode of operation:** Continuous operation (S1)
- **Bearings:** Maintenance-free ball bearings

Nominal data		Curve	Nominal voltage	Frequency	Air flow	Speed/rpm	Power input	Current draw	Capacitor	Sound pressure level	Max. operative range	Perm. amb. temp.	Mass without attachments	Electr. connection
Type	Motor	VAC	Hz	m³/h	rpm	W	A	µF/VDB	dB(A)	Pa	°C	kg	p. 416 f.	
*4E 360	M4E 068-DF	A	1~ 230	50	2275	1320	115	0.54	3.0/400	55	55	-25 to +40	2.1	A1)
			1~ 230	60	2440	1430	145	0.64	3.0/400	57	40	-25 to +40		
*6E 360	M6E 068-DF	B	1~ 230	50	1850	850	65	0.29	2.5/400	49	50	-25 to +55	2.2	A1)
			1~ 230	60	2060	960	85	0.38	2.5/400	52	40	-25 to +45		

subject to alterations

## Curves



	n [rpm]	P <sub>1</sub> [W]	I [A]
A 1	1310	116	0.55
A 2	1300	119	0.57
B 1	840	66	0.29
B 2	790	71	0.31

- **Motor protection:** TOP wired internally
- **Cable exit:** Axial
- **Protection class:** I
- **Product conforming to standards:** EN 60335-1, CE

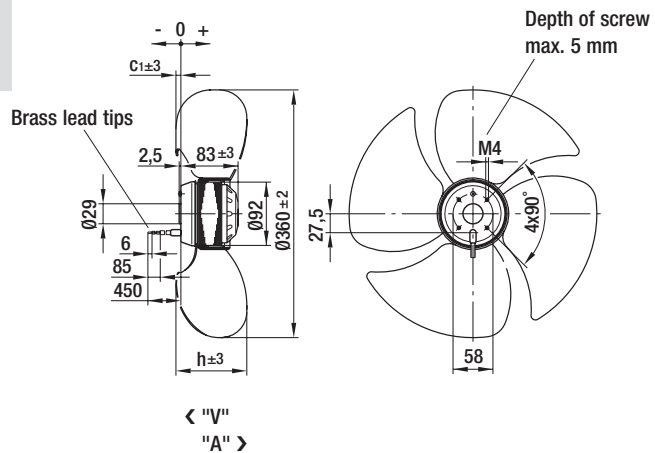
Direction of air flow	< "V"/"A" >	
	Without attachments	With guard grille for short nozzle
"V"	A4E 360-AC20 -05	S4E 360-EC20 -05
"A"	A4E 360-AC20 -06	—
"V"	A6E 360-AA08 -05	S6E 360-EA08 -05
"A"	A6E 360-AA08 -06	—

# AC axial fans

K series, Ø 360, drawings of directions of air flow "V" and "A"



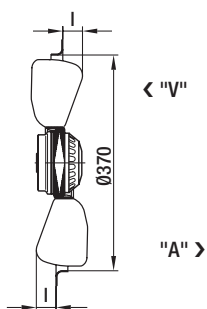
## Without attachments



## Type

Type		$c_1$	h
A4E 360-AC20 -05	"V"	8.0	84.0
A4E 360-AC20 -06	"A"	-8.0	84.0
A6E 360-AA08 -05	"V"	-11.0	103.0
A6E 360-AA08 -06	"A"	-8.0	103.0

## Installation arrangement

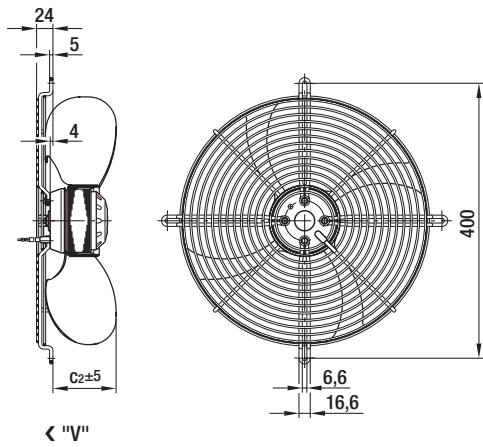


Type without attachments	Type without guard grille		l
A4E 360-AC20 -05	S4E 360-EC20 -05	"V"	43.0
A4E 360-AC20 -06	—	"A"	43.0
A6E 360-AA08 -05	S6E 360-EA08 -05	"V"	65.0
A6E 360-AA08 -06	—	"A"	65.0





### With guard grille for short nozzle



### Type

Type	"V"	c <sub>2</sub>
S4E 360-EC20 -05	"V"	88.0
S6E 360-EA08 -05	"V"	65.0

# AC axial fans

K series, Ø 450

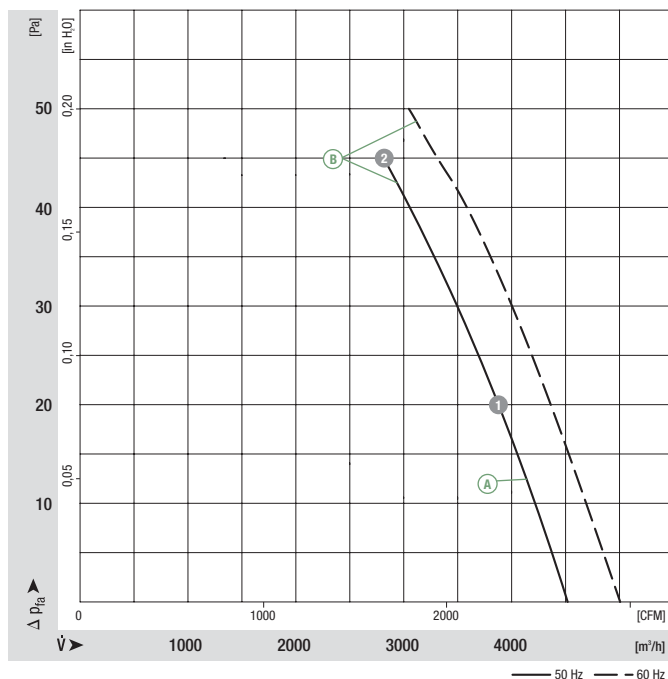


- **Material:** Guard grille: Steel, phosphated and coated in black plastic  
Blades: PA plastic, black  
Rotor: Coated in black
- **Number of blades:** 3
- **Direction of rotation:** Direction of air flow "V" counter-clockwise, direction of air flow "A" clockwise, seen on rotor
- **Type of protection:** IP 44
- **Insulation class:** "F"
- **Mounting position:** Shaft horizontal or rotor on bottom; rotor on top on request
- **Condensate discharges:** Rotor-side
- **Mode of operation:** Continuous operation (S1)
- **Bearings:** Maintenance-free ball bearings

Nominal data		Curve	Nominal voltage	Frequency	Air flow	Speed/rpm	Power input	Current draw	Capacitor	Sound pressure level	Max. operative range	Perm. amb. temp.	Mass without attachments	Electr. connection
Type	Motor	VAC	Hz	m³/h	rpm	W	A	µF/VDB	dB(A)	Pa	°C	kg	p. 416 f.	
*6E 450-AF	M6E 074-EI	(A) 1~ 230	50	4565	890	140	0.62	4.0/400	57	45	-25 to +45	3.7	A1)	
*6E 450-AG	M6E 074-GA	(B) 1~ 230	50	4550	890	142	0.65	4.0/400	57	45	-25 to +50	4.2	A1)	
		1~ 230	60	5050	990	190	0.84	4.0/400	61	50	-25 to +40			

subject to alterations

## Curves



	n [rpm]	P <sub>1</sub> [W]	I [A]
(A) 1	890	147	0.65
(A) 2	870	155	0.68
(B) 1	880	151	0.68
(B) 2	860	160	0.71

- **Motor protection:** TOP wired internally
- **Cable exit:** Variable
- **Protection class:** I
- **Product conforming to standards:** EN 60335-1, CE
- **Approvals:** CCC
- **Options:** Terminal box

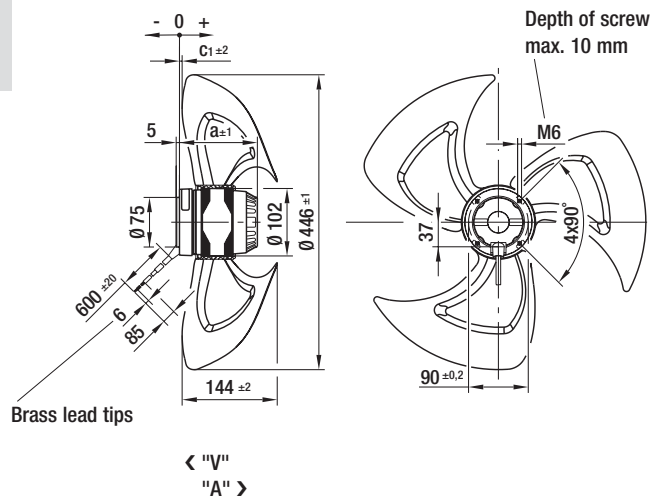
Direction of air flow	< "V"/"A" >	
	Without attachments	With guard grille for short nozzle
"V"	A6E 450-AF08 -01	S6E 450-AF08 -01
"A"	A6E 450-AF08 -02	—
"V"	A6E 450-AG05 -01	S6E 450-AG05 -01
"A"	A6E 450-AG05 -02	—

# AC axial fans

K series, Ø 450, drawings of directions of air flow "V" and "A"



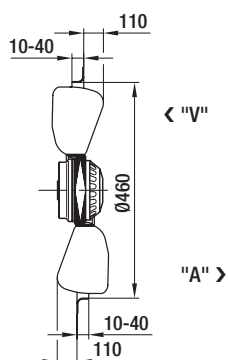
## Without attachments



## Type

		a	c <sub>1</sub>
A6E 450-AF08 -01	"V"	117.0	4.0
A6E 450-AF08 -02	"A"	117.0	-18.0
A6E 450-AG05 -01	"V"	129.0	4.0
A6E 450-AG05 -02	"A"	129.0	-18.0

## Installation arrangement

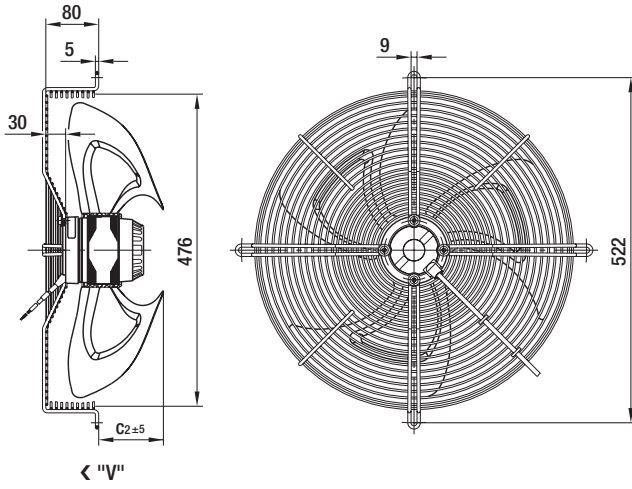


## Type without attachments      Type without guard grille

A6E 450-AF08 -01	S6E 450-AF08 -01	"V"
A6E 450-AF08 -02	—	"A"
A6E 450-AG05 -01	S6E 450-AG05 -01	"V"
A6E 450-AG05 -02	—	"A"



### With guard grille for short nozzle



### Type

Type	"V"	c <sub>2</sub>
S6E 450-AF08 -01	"V"	98.0
S6E 450-AG05 -01	"V"	98.0

# AC axial fans

K series, Ø 450



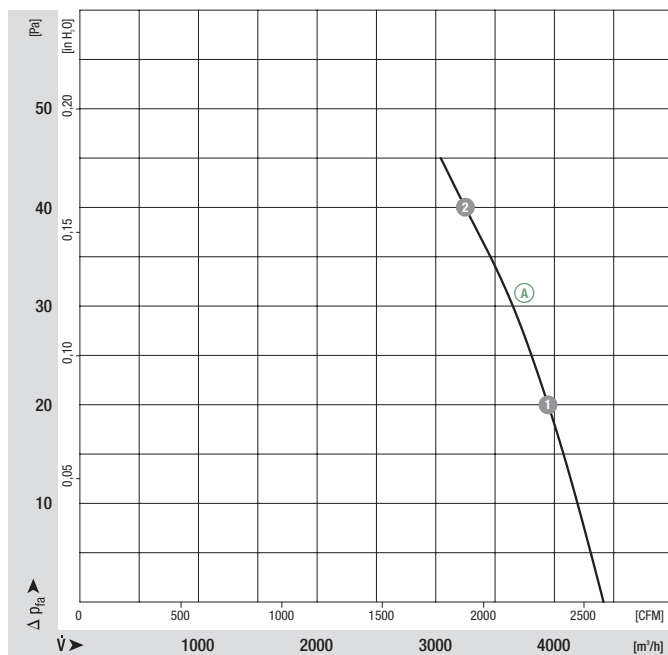
- **Material:** Guard grille: Steel, phosphated and coated in black plastic  
Blades: PA plastic, black  
Rotor: Coated in black
- **Number of blades:** 5
- **Direction of rotation:** Direction of air flow "V" counter-clockwise, direction of air flow "A" clockwise, seen on rotor
- **Type of protection:** IP 44
- **Insulation class:** "F"
- **Mounting position:** Shaft horizontal or rotor on bottom; rotor on top on request
- **Condensate discharges:** Rotor-side
- **Mode of operation:** Continuous operation (S1)
- **Bearings:** Maintenance-free ball bearings

## Nominal data

Type	Motor	Curve	Nominal voltage VAC	Frequency Hz	Air flow m³/h	Speed/rpm	Power input W	Current draw A	Capacitor µF/VDB	Sound pressure level dB(A)	Max. operative range Pa	Perm. amb. temp. °C	Mass without attachments kg	Electr. connection p. 416 f.
*6E 450	M6E 074-EI	Ⓐ	1~ 230	50	4415	900	145	0.64	4.0/400	61	45	-25 to +55	3.7	A1)

subject to alterations

## Curves



	n [rpm]	P <sub>1</sub> [W]	I [A]
Ⓐ 1	880	151	0.66
Ⓐ 2	850	160	0.70

- **Motor protection:** TOP wired internally
- **Cable exit:** Lateral
- **Protection class:** I
- **Product conforming to standards:** EN 60335-1, CE
- **Options:** Terminal box

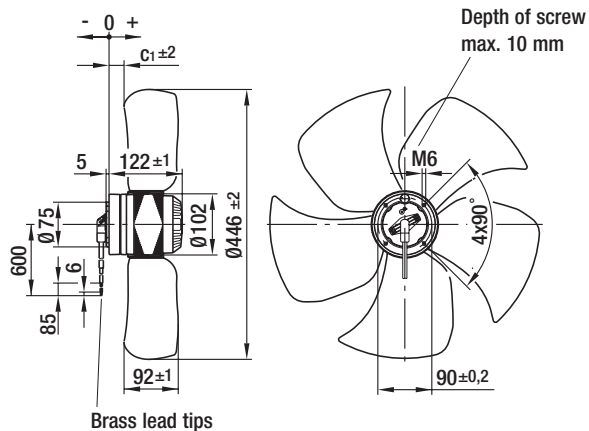
Direction of air flow	< "V"/"A" >	
	Without attachments	With guard grille for short nozzle
"V"	A6E 450-AN08 -01	S6E 450-BN08 -01
"A"	A6E 450-AN08 -02	S6E 450-BN08 -02

# AC axial fans

K series, Ø 450, drawings of directions of air flow "V" and "A"



## Without attachments

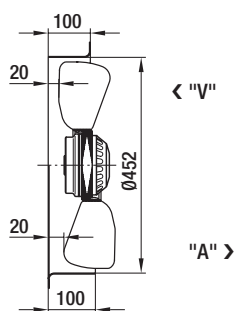


< "V"  
"A" >

## Type

Type		c <sub>1</sub>
A6E 450-AN08 -01	"V"	8.0
A6E 450-AN08 -02	"A"	25.0

## Installation arrangement



## Type

without attachments

## Type

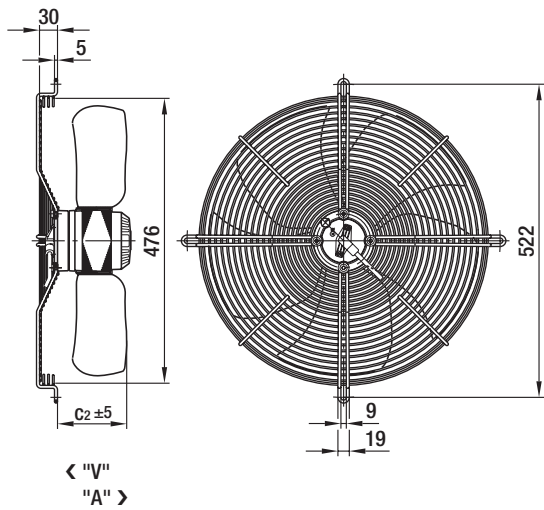
without guard grille

A6E 450-AN08 -01	S6E 450-BN08 -01	"V"
A6E 450-AN08 -02	S6E 450-BN08 -02	"A"



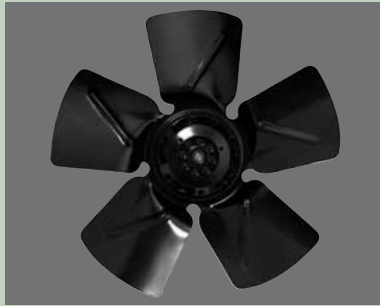


With guard grille for short nozzle



Type

Type		c <sub>2</sub>
S6E 450-BN08 -01	"V"	100.0
S6E 450-BN08 -02	"A"	117.0



# Mouser Electronics

Authorized Distributor

Click to View Pricing, Inventory, Delivery & Lifecycle Information:

[ebm-papst:](#)

[A4E360-AC20-06](#)

Компания «Life Electronics» занимается поставками электронных компонентов импортного и отечественного производства от производителей и со складов крупных дистрибьюторов Европы, Америки и Азии.

С конца 2013 года компания активно расширяет линейку поставок компонентов по направлению коаксиальный кабель, кварцевые генераторы и конденсаторы (керамические, пленочные, электролитические), за счёт заключения дистрибьюторских договоров

Мы предлагаем:

- Конкурентоспособные цены и скидки постоянным клиентам.
- Специальные условия для постоянных клиентов.
- Подбор аналогов.
- Поставку компонентов в любых объемах, удовлетворяющих вашим потребностям.
- Приемлемые сроки поставки, возможна ускоренная поставка.
- Доставку товара в любую точку России и стран СНГ.
- Комплексную поставку.
- Работу по проектам и поставку образцов.
- Формирование склада под заказчика.
- Сертификаты соответствия на поставляемую продукцию (по желанию клиента).
- Тестирование поставляемой продукции.
- Поставку компонентов, требующих военную и космическую приемку.
- Входной контроль качества.
- Наличие сертификата ISO.

В составе нашей компании организован Конструкторский отдел, призванный помогать разработчикам, и инженерам.

Конструкторский отдел помогает осуществить:

- Регистрацию проекта у производителя компонентов.
- Техническую поддержку проекта.
- Защиту от снятия компонента с производства.
- Оценку стоимости проекта по компонентам.
- Изготовление тестовой платы монтаж и пусконаладочные работы.



Тел: +7 (812) 336 43 04 (многоканальный)  
Email: [org@lifeelectronics.ru](mailto:org@lifeelectronics.ru)