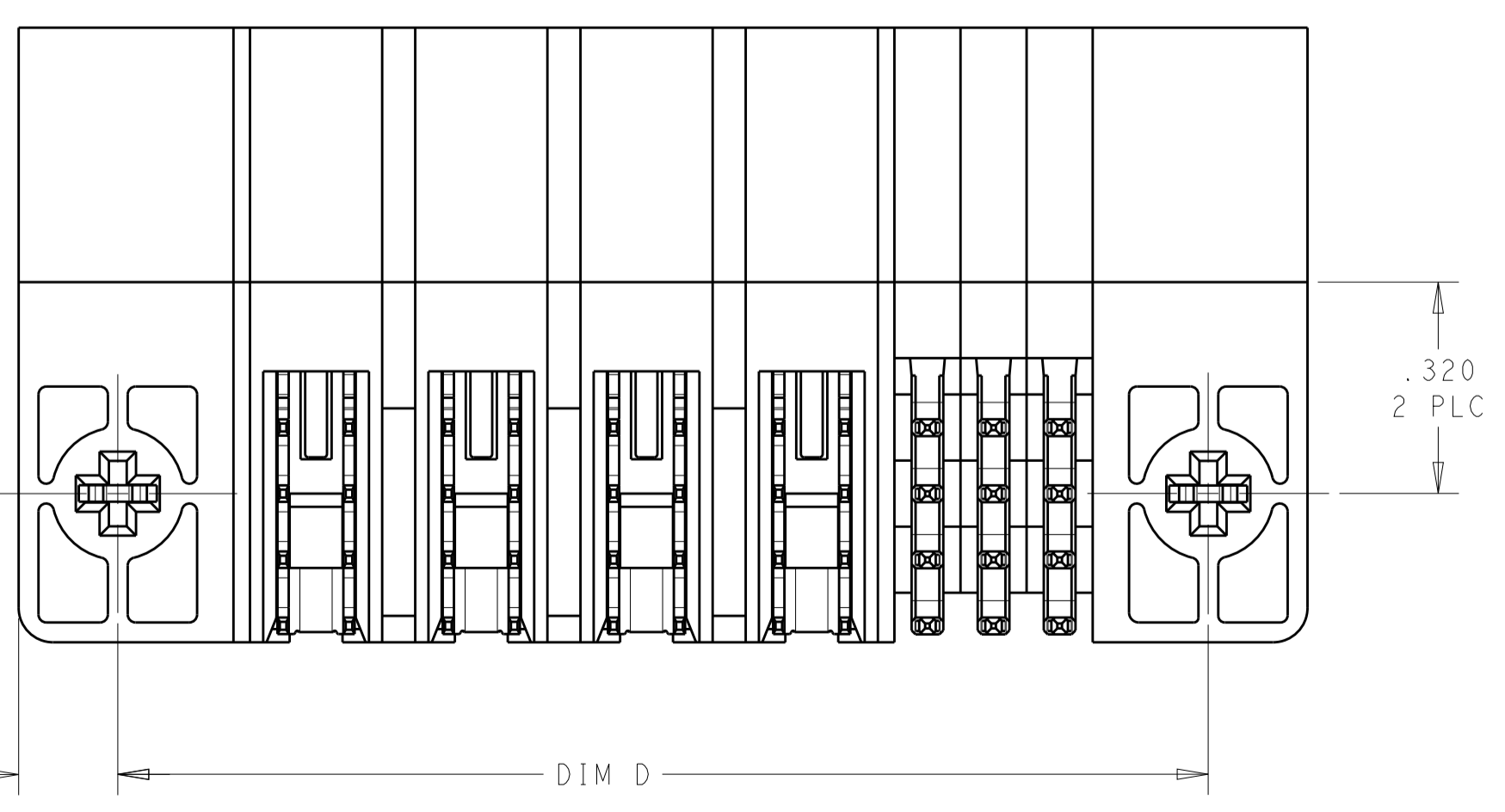
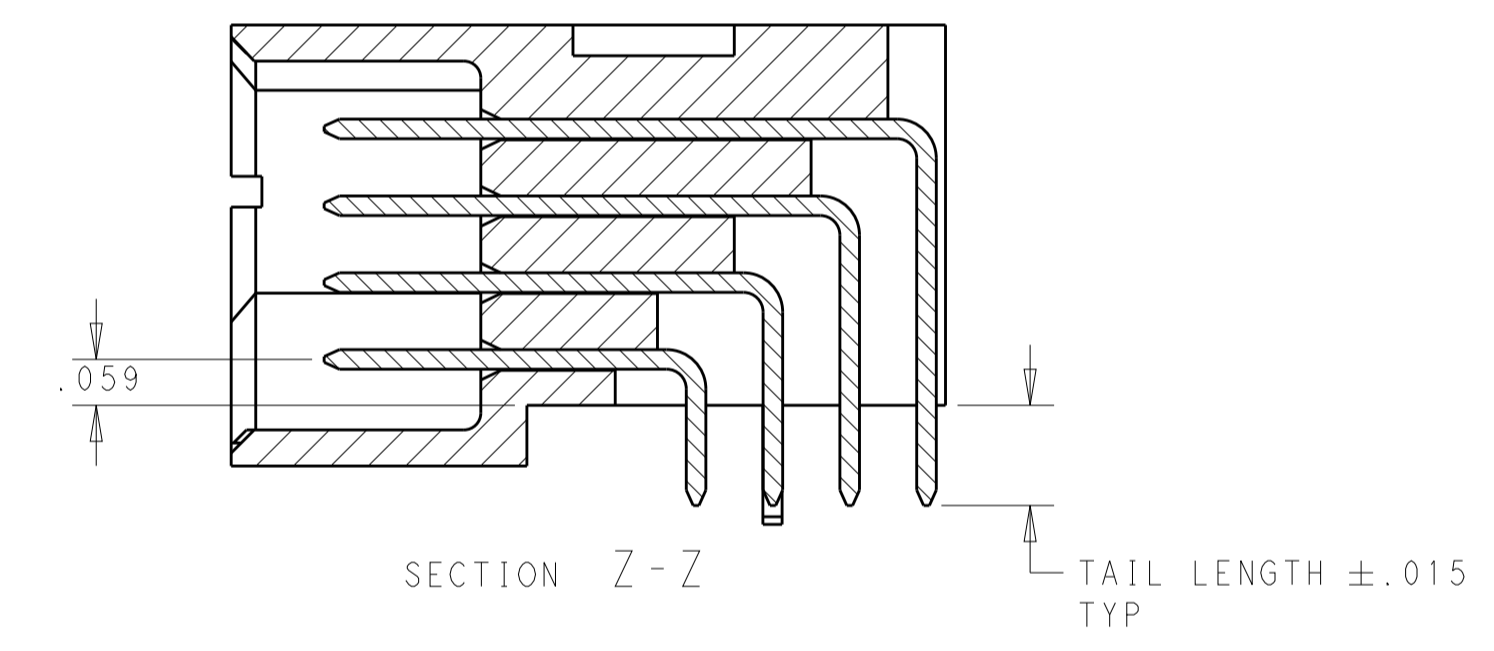
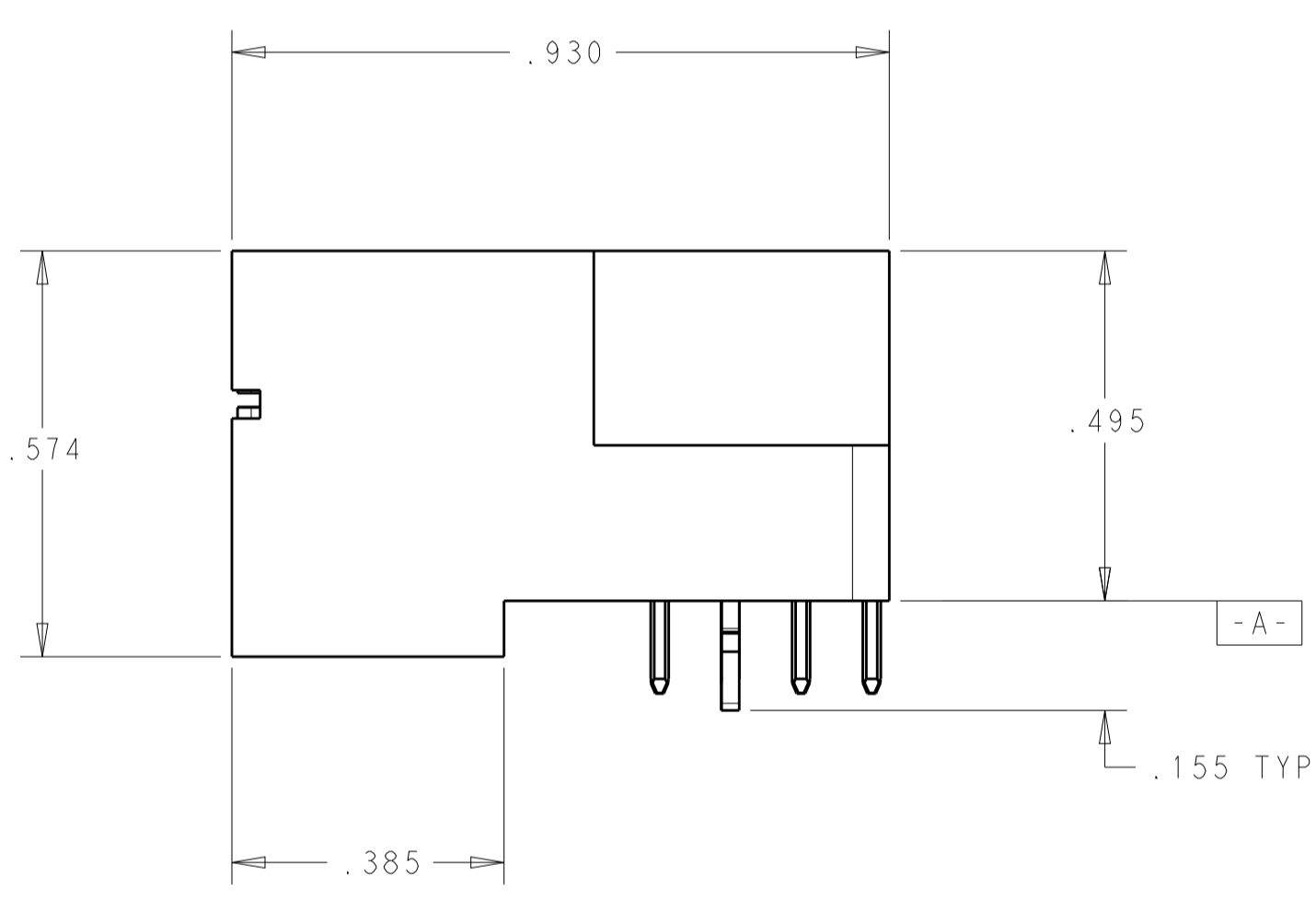
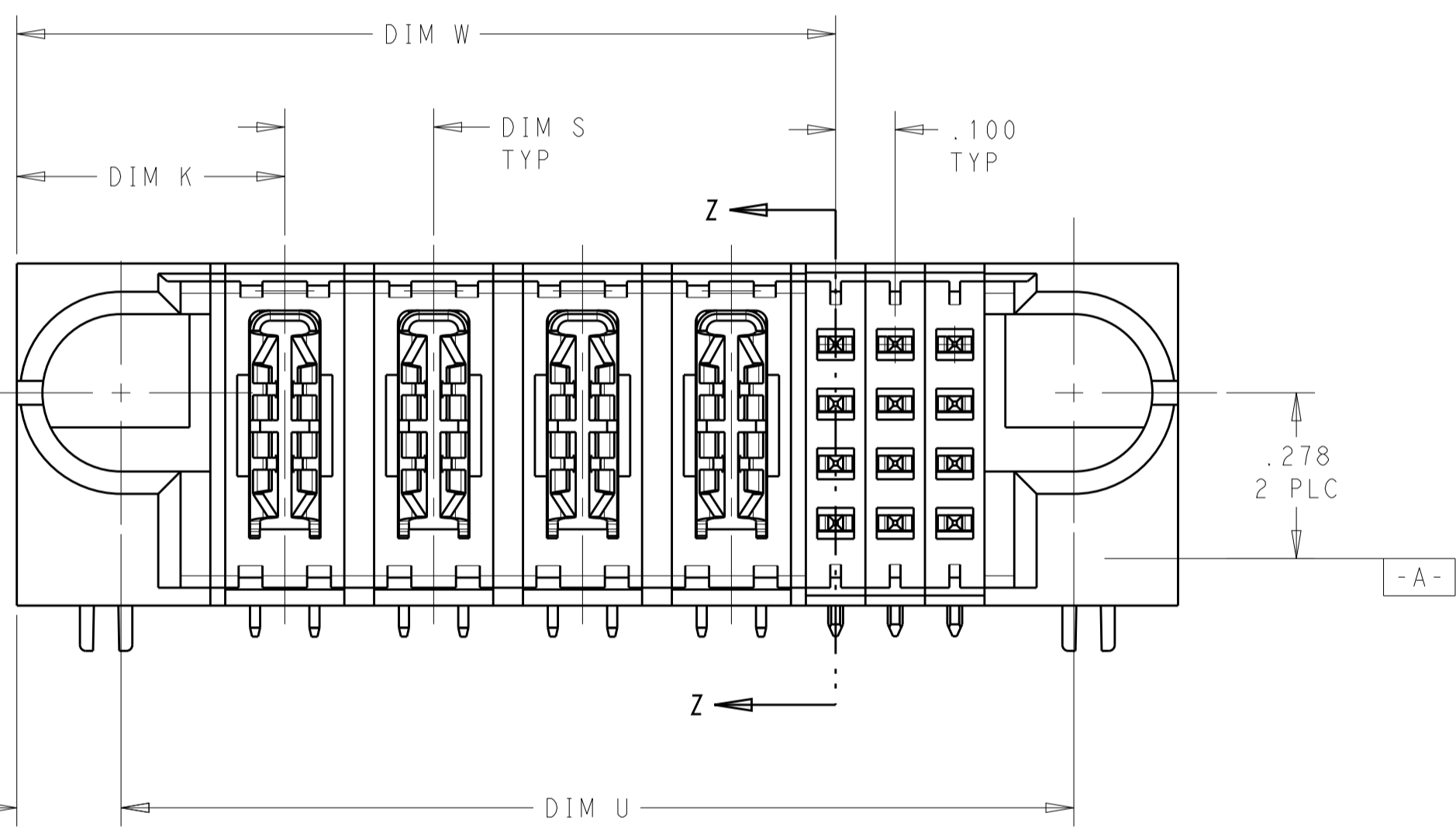
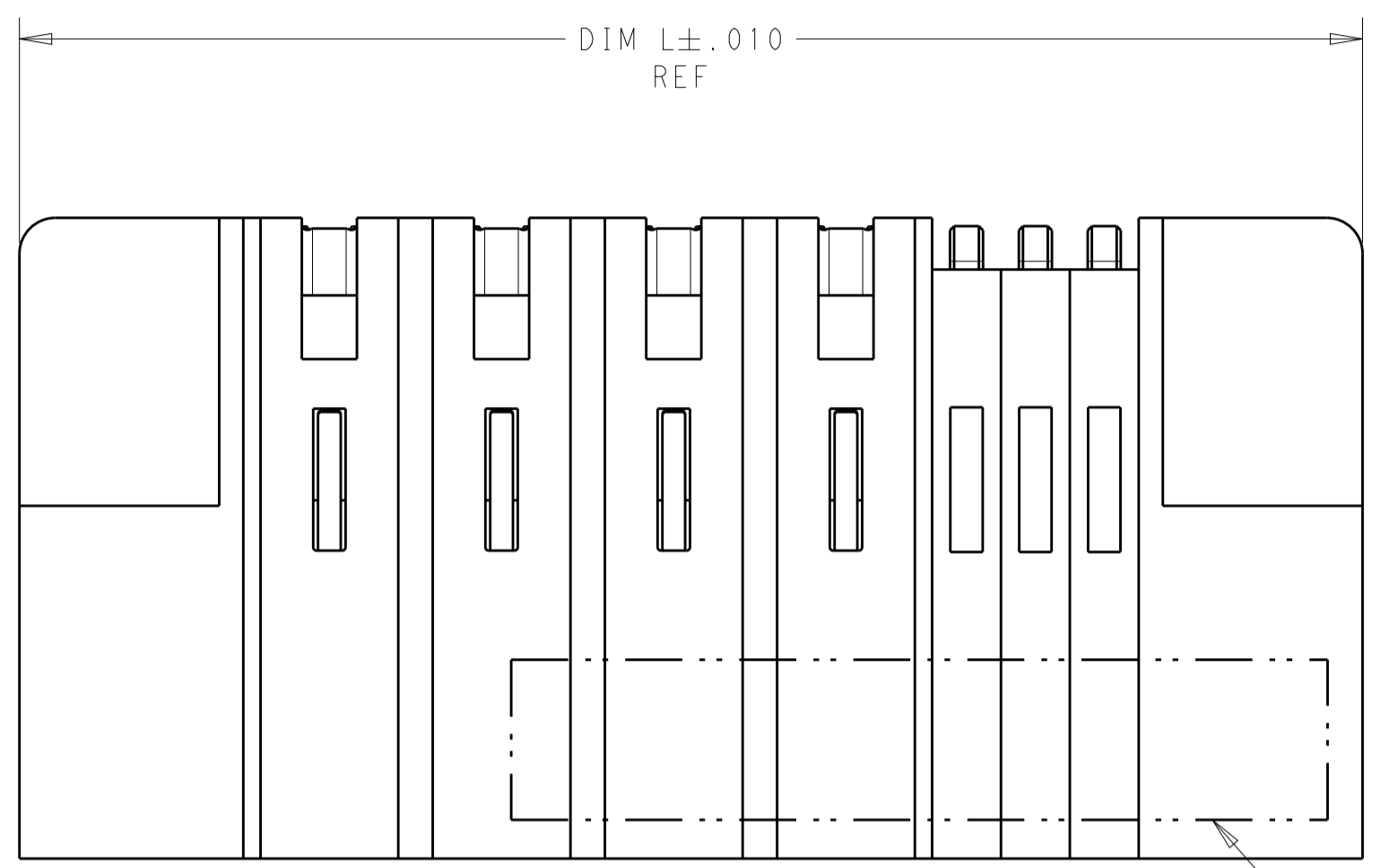


LOC	DIST	REVISIONS					
		P	LTN	DESCRIPTION	DATE	DWN	APVD
GP	00	E3		ADD NEW DASH NUMBER	27DEC2013	AL	SZ

- 1 "AMP" TRADEMARK, PART NUMBER, AND DATE CODE TO BE MARKED IN AREA SHOWN.
- 2 MATERIAL:
HOUSING - GLASS FILLED HIGH TEMP THERMO PLASTIC, BLACK, UL94 V-0
SIGNAL CONTACT - COPPER ALLOY
POWER CONTACT - HIGH CONDUCTIVITY COPPER ALLOY
- 3 CONTACT PLATING: NOBLE METAL PLATING ON CONTACT FUNCTIONAL AREA OF POWER AND SIGNAL CONTACTS
- 4 MECHANICAL CONNECTOR KEEP OUT ZONE
- 5 DATUM AND BASIC DIMENSIONS ESTABLISHED BY CUSTOMER
- 6 PCB - ALL HOLE DIAMETERS ARE FINISHED HOLE SIZES
- 7 PCB - .0453+/- .0010 DRILLED HOLES PLATED WITH .0003 MIN Sn OVER .001 TO .003 PLATING TO ACHIEVE A .040 DIA HOLE
- 8 VARIABLE DIMENSION SHOWN ON TABLE.
- 9 NOT RELEASED FOR PRODUCTION.



THIS DRAWING IS A CONTROLLED DOCUMENT.		DWN R. GRZYBOWSKI	10FEB05		TE Connectivity
DIMENSIONS: INCHES		CHK M. PERCHERKE	10FEB05		NAME RIGHT ANGLE HEADER ASSEMBLY W/GUIDES MULTI-BEAM XL
TOLERANCES UNLESS OTHERWISE SPECIFIED:		APVD M. PERCHERKE		PRODUCT SPEC	
0 PLC ±				108-1973	
1 PLC ±.01				APPLICATION SPEC	
2 PLC ±.005				114-13038	
3 PLC ±.0020				SIZE CAGE CODE DRAWING NO	
ANGLES ±.2°				A100779C=6450132	
FINISH				RESTRICTED TO	
MATERIAL				WEIGHT	
2				CUSTOMER DRAWING	
3				SCALE 1:1 SHEET 1 OF 11 REV E3	

THIS DRAWING IS UNPUBLISHED. RELEASED FOR PUBLICATION 20
 © COPYRIGHT 20 TE CONNECTIVITY ALL RIGHTS RESERVED.

LOC	DIST	REVISIONS					
		P	LTN	DESCRIPTION	DATE	OWN	APVD
GP	00	-		SEE SHEET 1			

E3

4.050	△8	3.325	4.100	.450	4.400	4ACP + 9P + 32S	2-6450132-7
4.000	-	.375	4.050	-	4.350	148S	2-6450132-6
3.575	△8	3.125	3.625	.450	3.925	5ACP+6HDP + 20S	2-6450132-5
2.950	.200	2.425	3.000	.450	3.300	10P + 24S	2-6450132-4
2.950	.200	2.425	3.000	.450	3.300	10P + 24S	2-6450132-3
3.350	.200	2.825	3.400	.450	3.700	12HDP + 24S	2-6450132-2
2.950	.200	2.425	3.000	.450	3.300	10P + 24S	2-6450132-1
2.150	.200	1.625	2.200	.450	2.500	6P + 24S	2-6450132-0
3.325	△8	2.800	3.375	.425	3.675	3ACP + 6P + 24S	1-6450132-9
2.075	.300	1.550	2.125	.475	2.425	4ACP + 24S	1-6450132-8
4.000	-	.375	4.050	-	4.350	148S	1-6450132-7
2.300	.250	1.875	2.350	.450	2.650	6P + 20S	1-6450132-6
4.700	.250	3.925	4.750	.450	5.050	14P + 32S	1-6450132-5
2.825	△8	2.300	2.875	.475	3.175	3ACP + 4P + 24S	1-6450132-3
2.900	.250	2.375	2.950	.450	3.250	8P + 24S	1-6450132-2
2.250	.250	1.975	2.300	.475	2.600	6P + 12S	6450132-8
2.675	.250	2.125	2.725	.450	3.025	7P + 24S	6450132-7
1.100	-	.575	1.150	.425	1.450	1P + 24S	6450132-6
2.925	.250	2.375	2.975	.450	3.275	8P + 24S	6450132-5
4.600	.250	3.875	4.650	.450	4.950	14P + 32S	6450132-4
3.000	.250	2.375	3.050	.450	3.350	8P + 28S	6450132-3
1.600	.250	1.375	1.650	.450	1.950	4P + 12S	6450132-2
1.600	.250	1.375	1.650	.450	1.950	4P + 12S	6450132-1
DIM U	DIM S	DIM W	DIM D	DIM K	DIM L	DESCRIPTION	PART NUMBER

△9

△9

△9

THIS DRAWING IS A CONTROLLED DOCUMENT. **OWN** R. GRZYBOWSKI TOFEB05
CHK M. PERCHERKE TOFEB05
APVD M. PERCHERKE

TE TE Connectivity

NAME RIGHT ANGLE HEADER ASSEMBLY W/GUIDES MULTI-BEAM XL

PRODUCT SPEC 108-1973
APPLICATION SPEC 114-13038

SIZE A1 **CAGE CODE** 100779 **DRAWING NO** 6450132 **RESTRICTED TO** -

WEIGHT - **CUSTOMER DRAWING** **SCALE** 1:1 **SHEET** 2 **OF** 11 **REV** E3

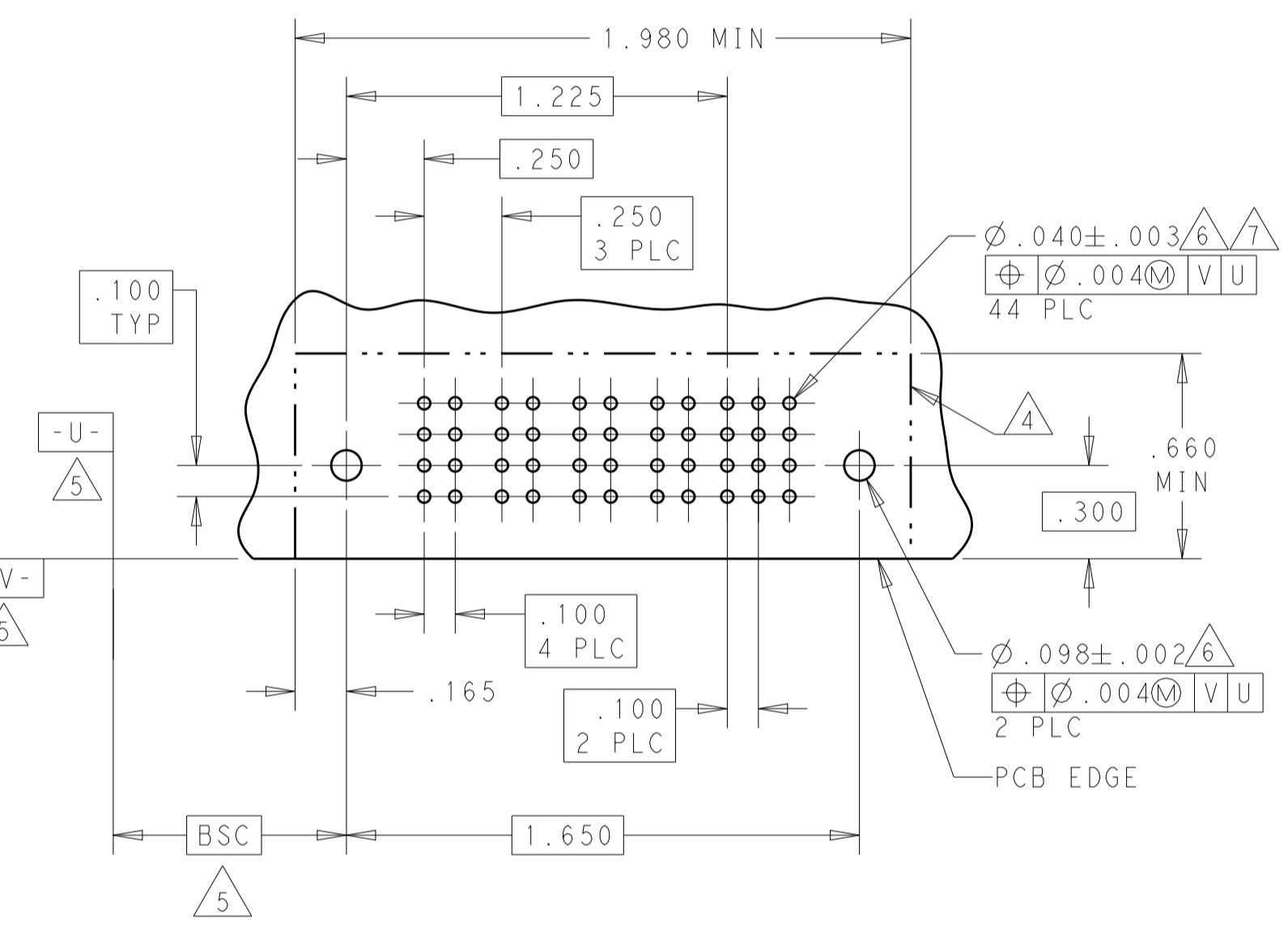
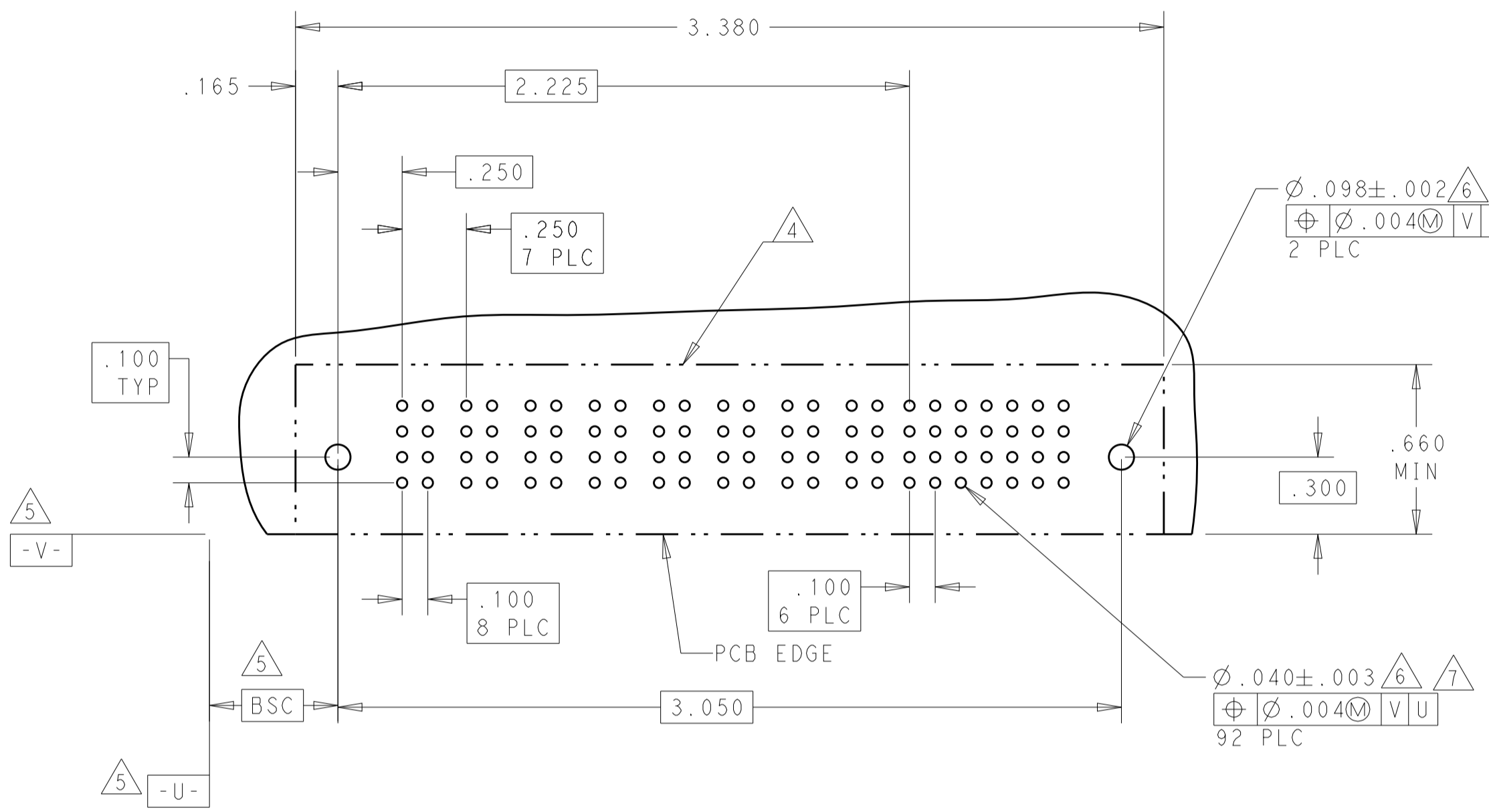
DIMENSIONS: INCHES
TOLERANCES UNLESS OTHERWISE SPECIFIED:
 0 PLC ±.
 1 PLC ±.01
 2 PLC ±.01
 3 PLC ±.005
 4 PLC ±.0020
 ANGLES ±.020
 FINISH

LOC	DIST	REVISIONS			
GP	00	REV	DATE	BY	APPD
-	-	SEE SHEET 1	-	-	-

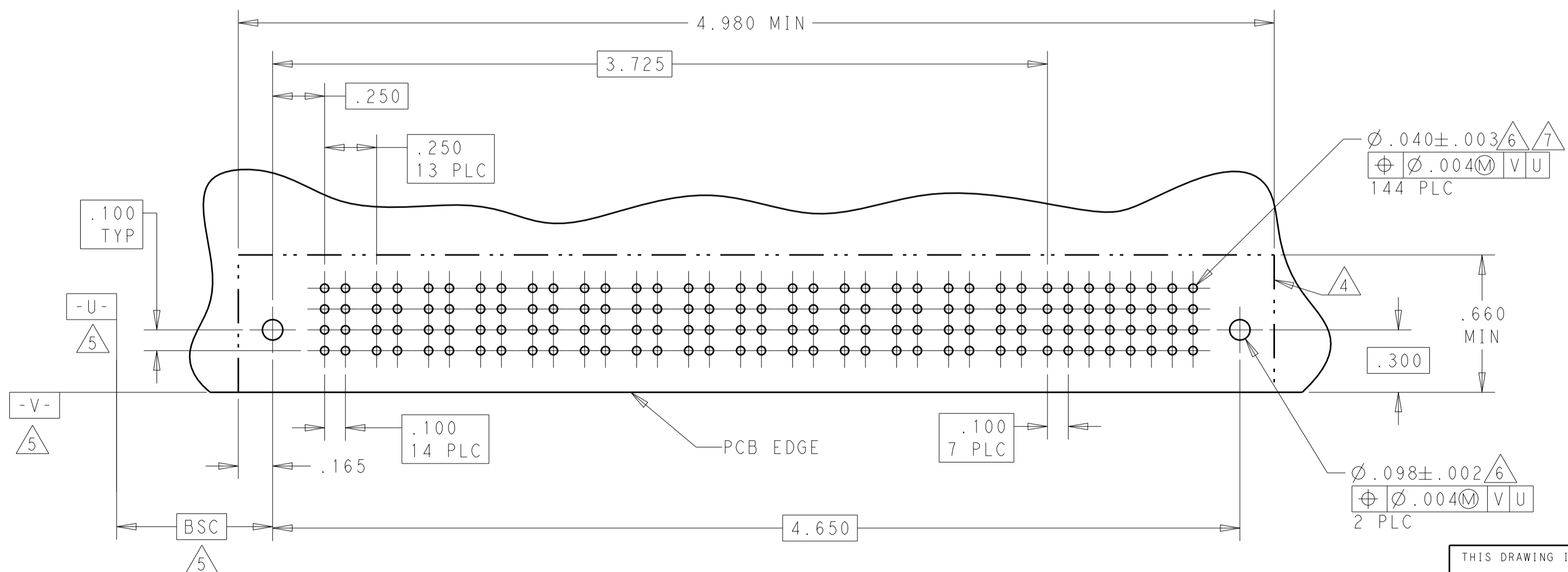
PART NUMBER	ROWS	POWER				SIGNAL		
		P1	P2	P3	P4	1	2	3
6450132-1	D C B A	PM	PM			J K N S	E F N S	J F N S
4P + 12S								

PART NUMBER	ROWS	POWER				SIGNAL		
		P1	P2	P3	P4	1	2	3
6450132-2	D C B A	PM	PM	PM	PM	J K N S	E F N S	J F N S
4P + 12S								

PART NUMBER	ROWS	POWER								SIGNAL						
		P1	P2	P3	P4	P5	P6	P7	P8	1	2	3	4	5	6	7
6450132-3	D C B A	PM	PM	PM	PM	PM	PM	PM	PM	E F G S	E F G S	E F G S	E F G S	E F G S	E F G S	E F G S
8P + 28S																



PART NUMBER	ROWS	POWER														SIGNAL								
		P1	P2	P3	P4	P5	P6	P7	P8	P9	P10	P11	P12	P13	P14	1	2	3	4	5	6	7	8	
6450132-4	D C B A	PM	PM	PM	PM	PM	PM	PM	PM	PM	PM	PM	PM	PM	PM	J K N S	J K N S	J K N S	E F N S	J K N S	J K N S	J K N S	J K N S	
14P + 32S																								



Z	STD	.090	D
Y	STD	.090	C
R	STD	.090	B
O	STD	.090	A
A4	MLBF	.090	D
A3	MLBF	.090	C
A2	MLBF	.090	B
A1	MLBF	.090	A
E	MLBF	.135	D
F	MLBF	.135	C
G	MLBF	.135	B
H	MLBF	.135	A
J	STD	.135	D
K	STD	.135	C
N	STD	.135	B
S	STD	.135	A
CODE	MATING SEQUENCE	TAIL LENGTH	ROW
SIGNAL CONTACT			

PA	.090
PM	.135
CODE	TAIL LENGTH
POWER CONTACT	

THIS DRAWING IS A CONTROLLED DOCUMENT.

OWN: R. GRZYBOWSKI, 10FEB05
CHK: M. PERCHERKE, 10FEB05
APVD: M. PERCHERKE

DIMENSIONS: INCHES
TOLERANCES UNLESS OTHERWISE SPECIFIED:
0 PLC ±.01
1 PLC ±.01
2 PLC ±.01
3 PLC ±.005
4 PLC ±.002
ANGLES ±.020

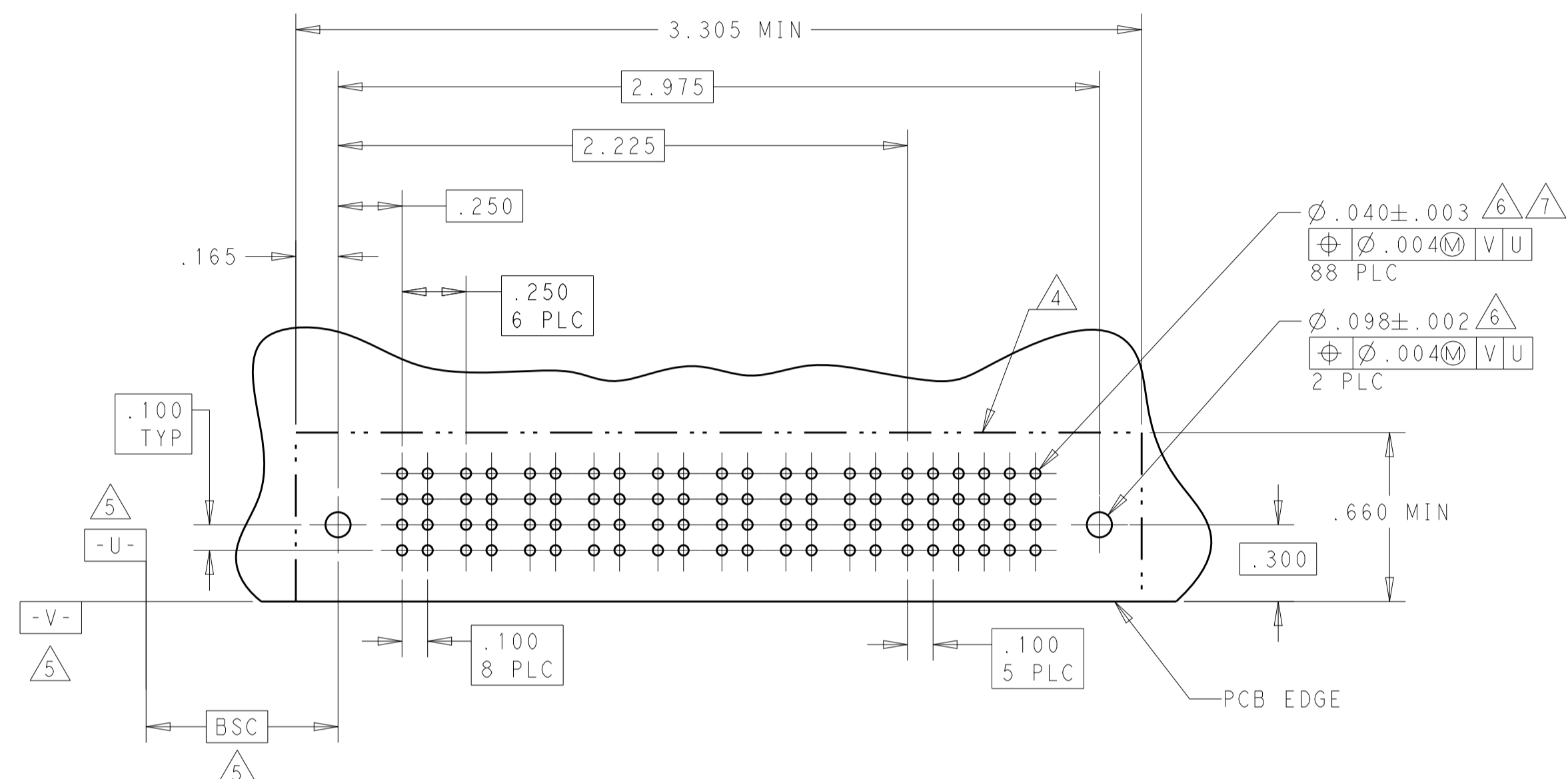
MATERIAL: .
FINISH: .

NAME: RIGHT ANGLE HEADER ASSEMBLY W/GUIDES MULTI-BEAM XL
PRODUCT SPEC: 108-1973
APPLICATION SPEC: 114-13038
WEIGHT: .
CUSTOMER DRAWING: .

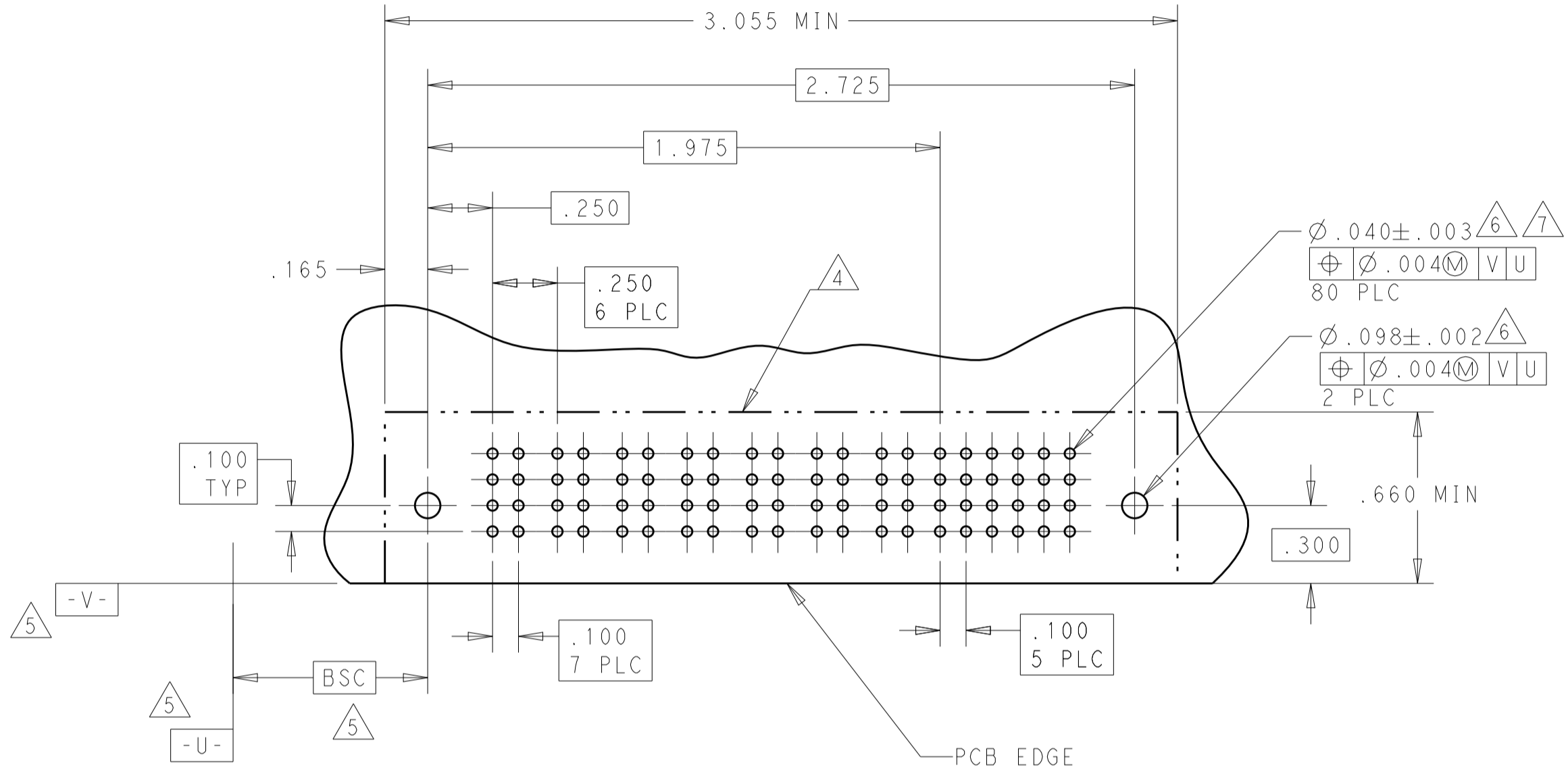
SCALE: 1:1
SHEET 3 OF 11
REV: E3

LOC	DIST	REV	DATE	BY	APPV
GP	00				
		DESCRIPTION			
		SEE SHEET 1			

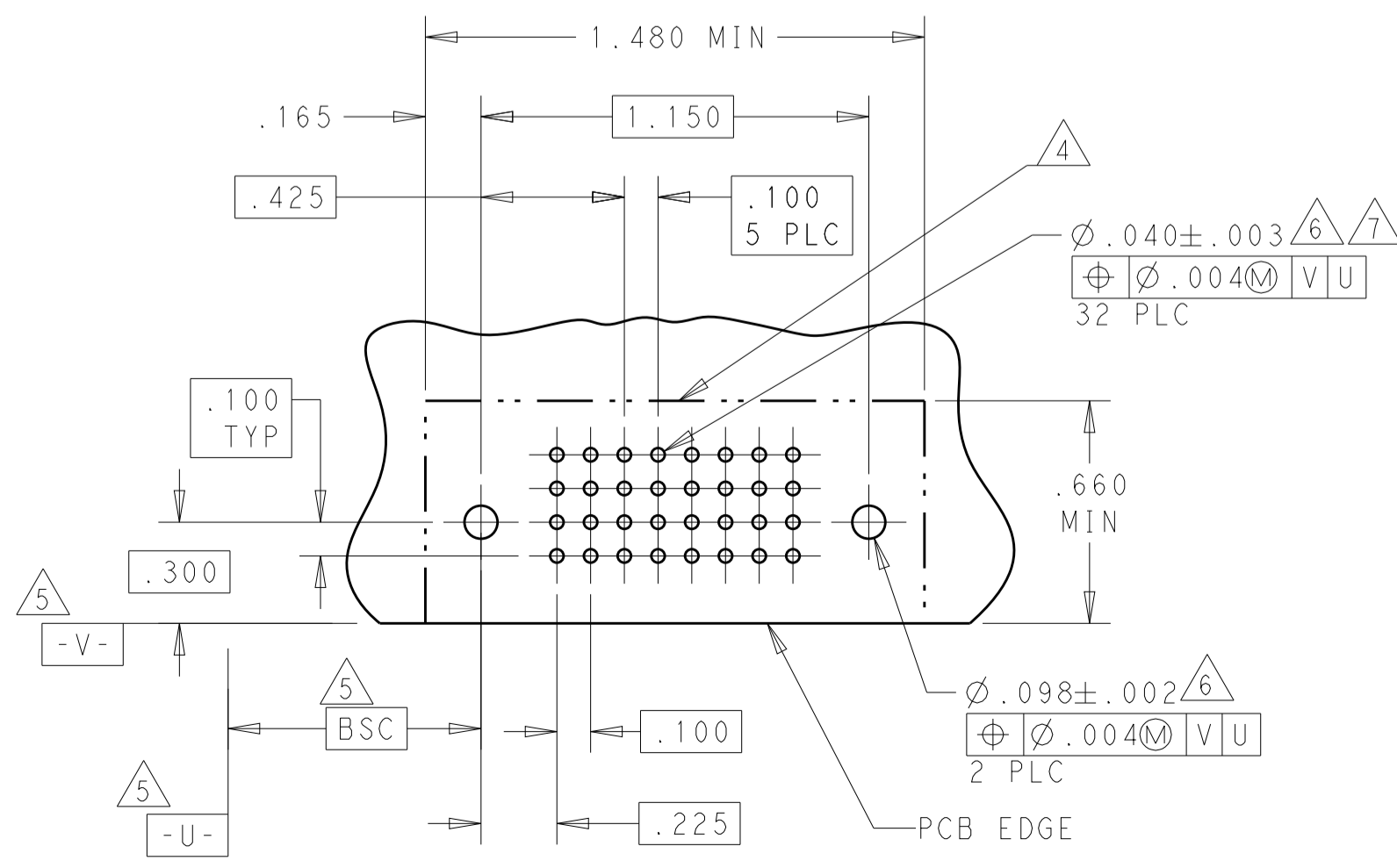
PART NUMBER	ROWS	POWER								SIGNAL					
		P1	P2	P3	P4	P5	P6	P7	P8	1	2	3	4	5	6
6450132-5	D C B A	PM	PM	PM	PM	PM	PM	PM	PM	J	J	J	J	E	E
										K	K	K	K	F	F
										N	N	N	N	G	G
										S	S	S	S	H	H
8P + 24S															



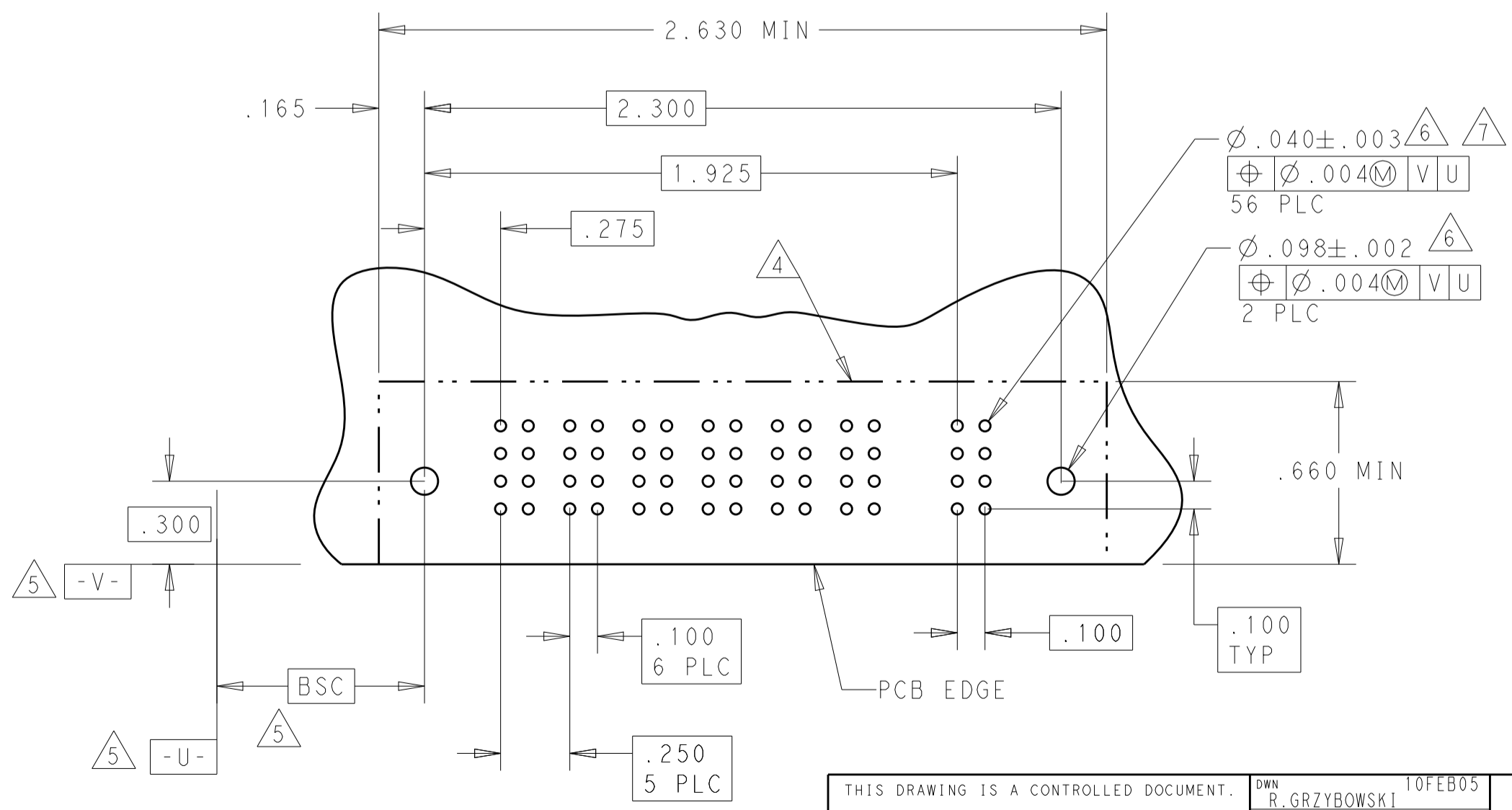
PART NUMBER	ROWS	POWER							SIGNAL					
		P1	P2	P3	P4	P5	P6	P7	1	2	3	4	5	6
6450132-7	D C B A	PM	PM	PM	PM	PM	PM	PM	J	J	E	J	J	J
									K	K	K	K	K	K
									N	N	N	N	N	N
									S	S	S	S	S	S
7P + 24S														



PART NUMBER	ROWS	POWER						SIGNAL						
		P1	1	2	3	4	5	6	1	2	3	4	5	6
6450132-6	D C B A	PM	E	E	E	E	J	E	E					
			F	F	F	F	F	F	F					
			G	G	G	G	G	G	G					
			H	H	H	H	H	H	H					
1P + 24S														



PART NUMBER	ROWS	POWER						SIGNAL		
		P1	P2	P3	P4	P5	P6	1	2	3
6450132-8	D C B A	PM	PM	PM	PM	PM	PM	E	E	
								F	F	
								G	G	
								H	H	
6P + 12S										



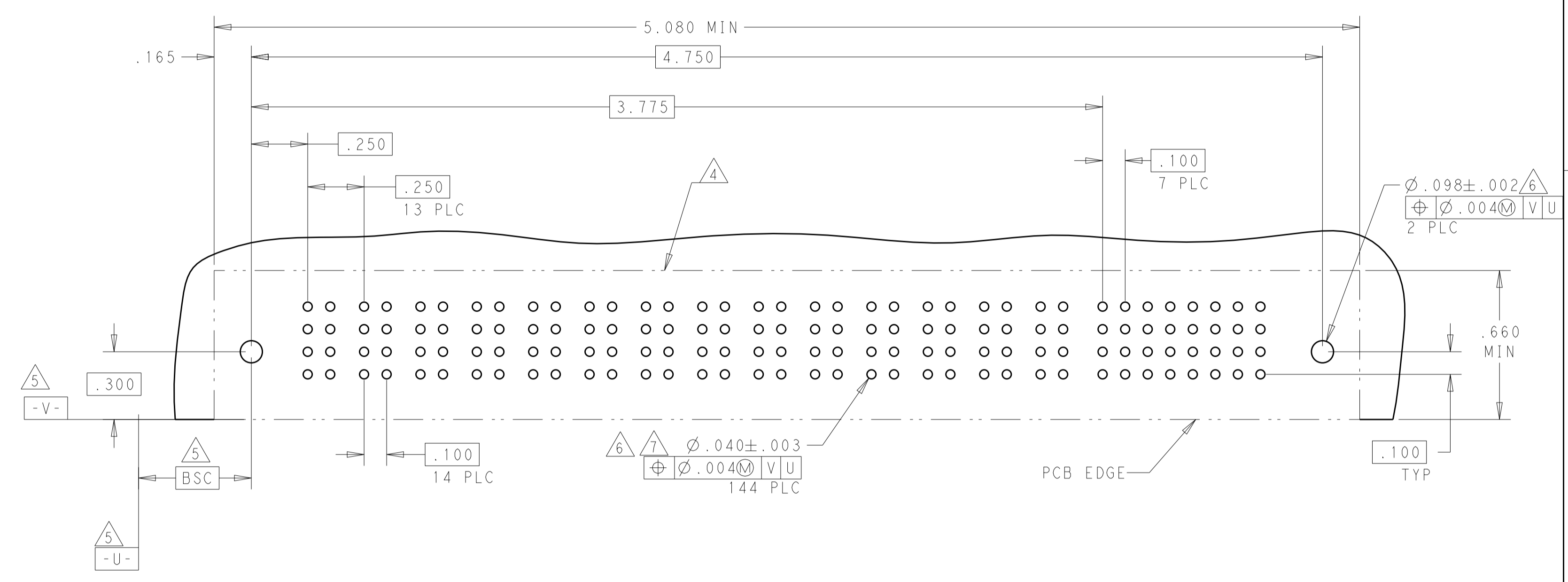
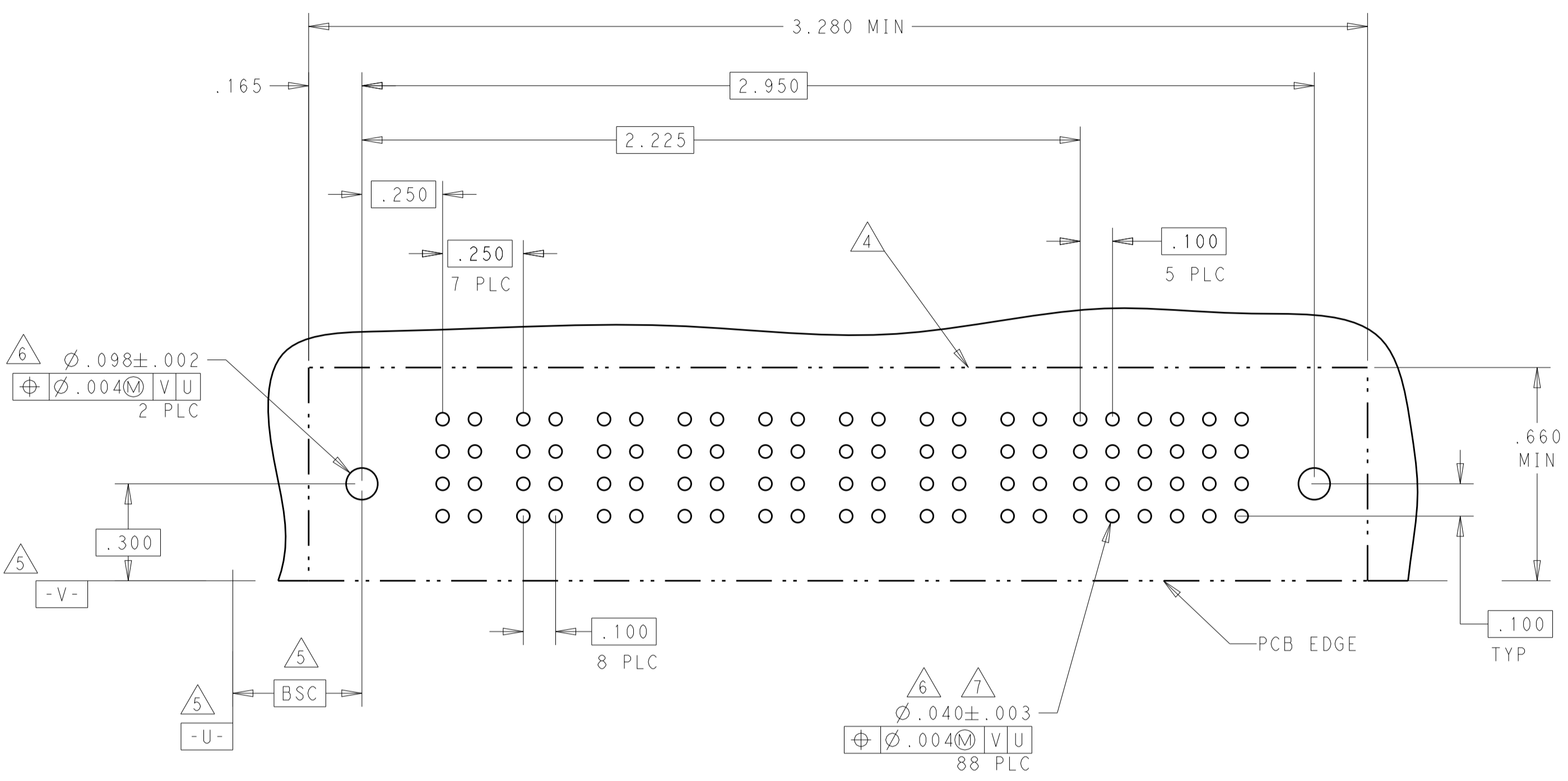
NO CONTACTS LOADED IN THIS COLUMN

THIS DRAWING IS A CONTROLLED DOCUMENT. DIMENSIONS: INCHES. TOLERANCES UNLESS OTHERWISE SPECIFIED: 0 PLC ±.01, 1 PLC ±.01, 2 PLC ±.01, 3 PLC ±.005, 4 PLC ±.002, ANGLES ±.0020. MATERIAL: FINISH: THIS DRAWING IS A CONTROLLED DOCUMENT. DWG: R.GRZYBOWSKI, CHK: M.PERCHEKKE, APVD: M.PERCHEKKE. NAME: RIGHT ANGLE HEADER ASSEMBLY W/GUIDES MULTI-BEAM XL. PRODUCT SPEC: 108-1973. APPLICATION SPEC: 114-13038. WEIGHT: A100779. CUSTOMER DRAWING. SCALE: 1:1. SHEET 4 OF 11. REV: E3.

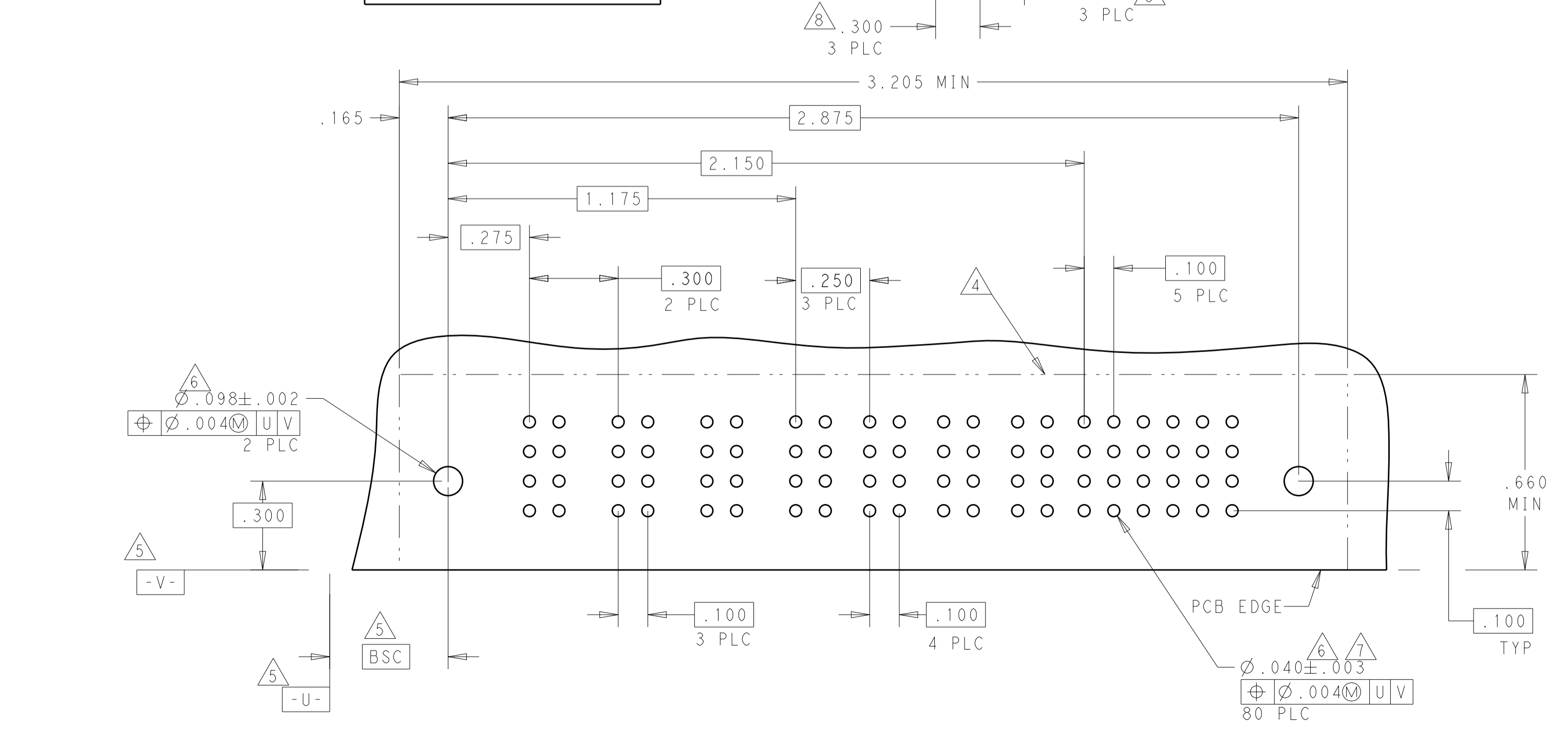
LOC	DIST	REVISIONS					
GP	00	P	LTN	DESCRIPTION	DATE	OWN	APVD
		-		SEE SHEET 1			

PART NUMBER	ROWS	POWER								SIGNAL					
		P1	P2	P3	P4	P5	P6	P7	P8	1	2	3	4	5	6
1-6450132-2	D C B A	PM	PM	PM	PM	PM	PM	PM	PM	J	J	J	J	E	E
		PM	PM	PM	PM	PM	PM	PM	PM	K	K	K	K	F	F
		PM	PM	PM	PM	PM	PM	PM	PM	N	N	N	N	G	G
		PM	PM	PM	PM	PM	PM	PM	PM	S	S	S	S	H	H
8P + 24S															

PART NUMBER	ROWS	POWER														SIGNAL							
		P1	P2	P3	P4	P5	P6	P7	P8	P9	P10	P11	P12	P13	P14	1	2	3	4	5	6	7	8
1-6450132-5	D C B A	PM	PM	PM	PM	PM	PM	PM	PM	PM	PM	PM	PM	PM	PM	E	J	J	J	E	J	J	J
		PM	PM	PM	PM	PM	PM	PM	PM	PM	PM	PM	PM	PM	PM	F	K	K	K	F	K	K	K
		PM	PM	PM	PM	PM	PM	PM	PM	PM	PM	PM	PM	PM	PM	N	N	N	N	N	N	N	N
		PM	PM	PM	PM	PM	PM	PM	PM	PM	PM	PM	PM	PM	PM	S	S	S	S	S	S	S	S
14P + 32S																							



PART NUMBER	ROWS	POWER							SIGNAL						
		P1	P2	P3	P4	P5	P6	P7	1	2	3	4	5	6	
1-6450132-3	D C B A	PM	PM	PM	PM	PM	PM	PM	J	J	J	J	J	E	
		PM	PM	PM	PM	PM	PM	PM	K	K	K	F	K	F	
		PM	PM	PM	PM	PM	PM	PM	N	G	N	N	N	G	
		PM	PM	PM	PM	PM	PM	PM	S	H	S	S	S	H	
3ACP + 4P + 24S															



THIS DRAWING IS A CONTROLLED DOCUMENT.

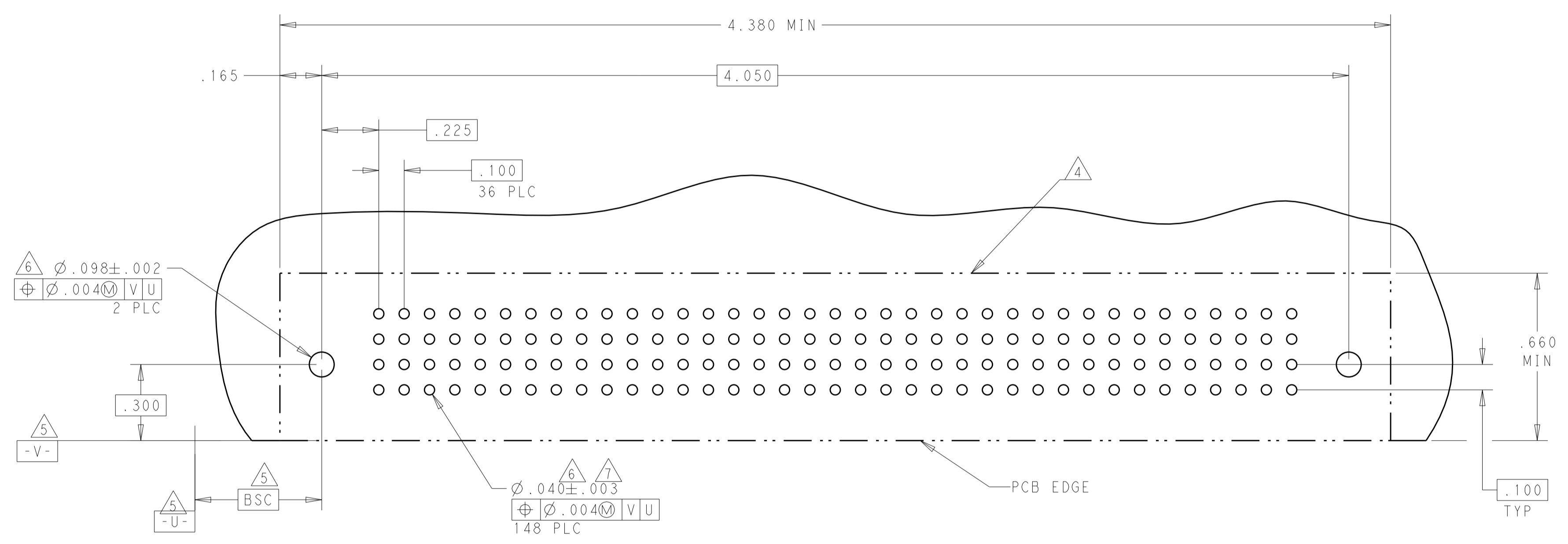
DIMENSIONS: INCHES	TOLERANCES UNLESS OTHERWISE SPECIFIED: 0 PLC ±. 1 PLC ±.01 2 PLC ±.01 3 PLC ±.005 4 PLC ±.0020 ANGLES ±.2°	OWN: R. GRZYBOWSKI CHK: M. PERCHERKE APVD: M. PERCHERKE	TOFEB05 TOFEB05		TE Connectivity
MATERIAL:	FINISH:	PRODUCT SPEC: 108-1973 APPLICATION SPEC: 114-13038 WEIGHT:	NAME: RIGHT ANGLE HEADER ASSEMBLY W/GUIDES MULTI-BEAM XL SIZE: A100779 CAGE CODE: C=6450132		RESTRICTED TO:

CUSTOMER DRAWING

PART NUMBER	ROWS	SIGNAL																																					
		1	2	3	4	5	6	7	8	9	10	11	12	13	14	15	16	17	18	19	20	21	22	23	24	25	26	27	28	29	30	31	32	33	34	35	36	37	
1-6450132-7	D		J	J	J	J	J	J	J	J	J	J	J	J	J	J	J	J	J	J	J	J	J	J	J	J	J	J	J	J	J	J	J	J	J	J	J	J	J
	C		K	K	K	K	K	K	K	K	K	K	K	K	K	K	K	K	K	K	K	K	K	K	K	K	K	K	K	K	K	K	K	K	K	K	K	K	K
	B		N	N	N	N	N	N	N	N	N	N	N	N	N	N	N	N	N	N	N	N	N	N	N	N	N	N	N	N	N	N	N	N	N	N	N	N	N
A		S	S	S	S	S	S	S	S	S	S	S	S	S	S	S	S	S	S	S	S	S	S	S	S	S	S	S	S	S	S	S	S	S	S	S	S	S	S
148S																																							

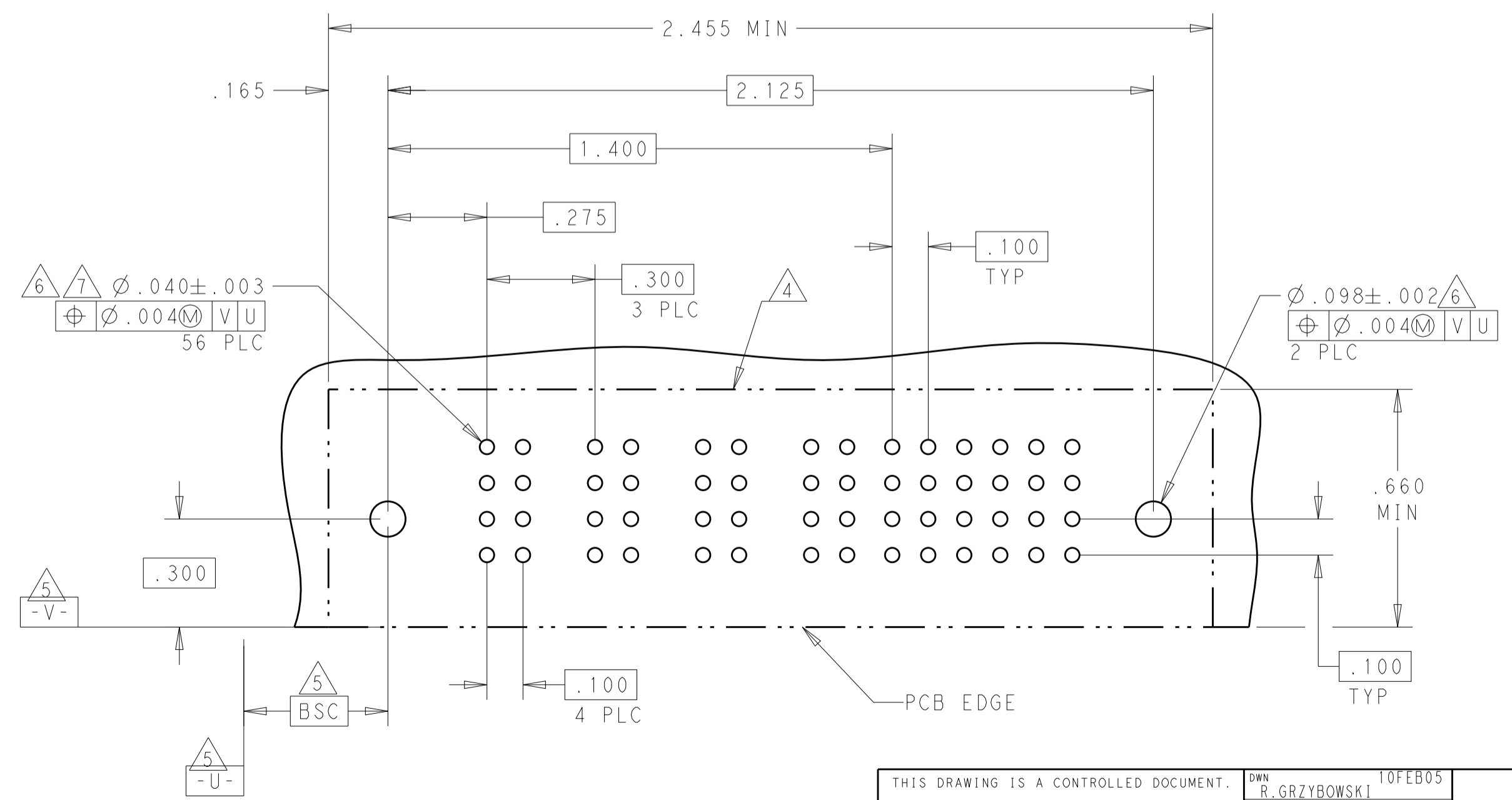
PART NUMBER	ROWS	SIGNAL																																							
		1	2	3	4	5	6	7	8	9	10	11	12	13	14	15	16	17	18	19	20	21	22	23	24	25	26	27	28	29	30	31	32	33	34	35	36	37			
2-6450132-6	D	J	J	J	J	J	J	J	J	J	J	J	J	J	J	J	J	J	J	J	J	J	J	J	J	J	J	J	J	J	J	J	J	J	J	J	J	J	J	J	
	C	K	K	K	K	K	K	K	K	K	K	K	K	K	K	K	K	K	K	K	K	K	K	K	K	K	K	K	K	K	K	K	K	K	K	K	K	K	K	K	K
	B	N	N	N	N	N	N	N	N	N	N	N	N	N	N	N	N	N	N	N	N	N	N	N	N	N	N	N	N	N	N	N	N	N	N	N	N	N	N	N	N
A		S	S	S	S	S	S	S	S	S	S	S	S	S	S	S	S	S	S	S	S	S	S	S	S	S	S	S	S	S	S	S	S	S	S	S	S	S	S	S	S
148S																																									

NO CONTACTS LOADED



1-6450132-7 AND 2-6450132-7 RECOMMENDED PCB LAYOUT

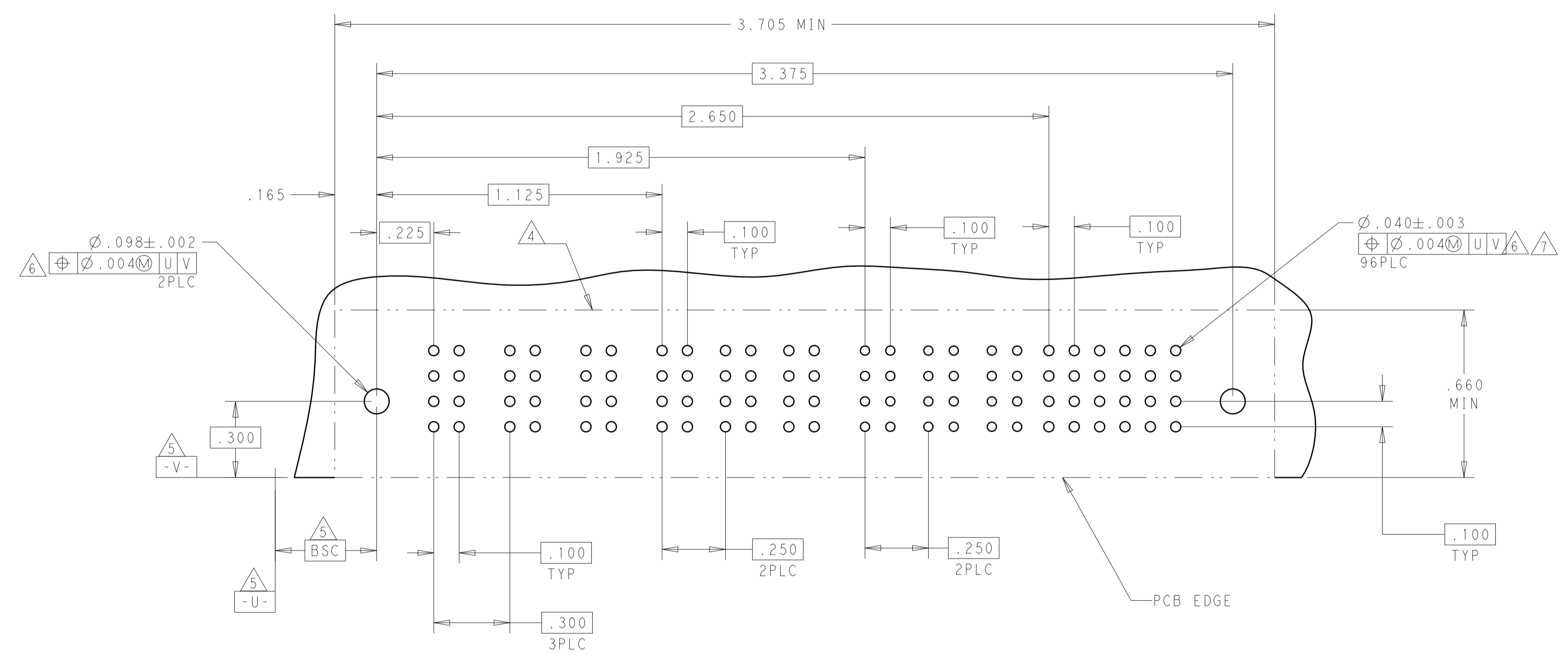
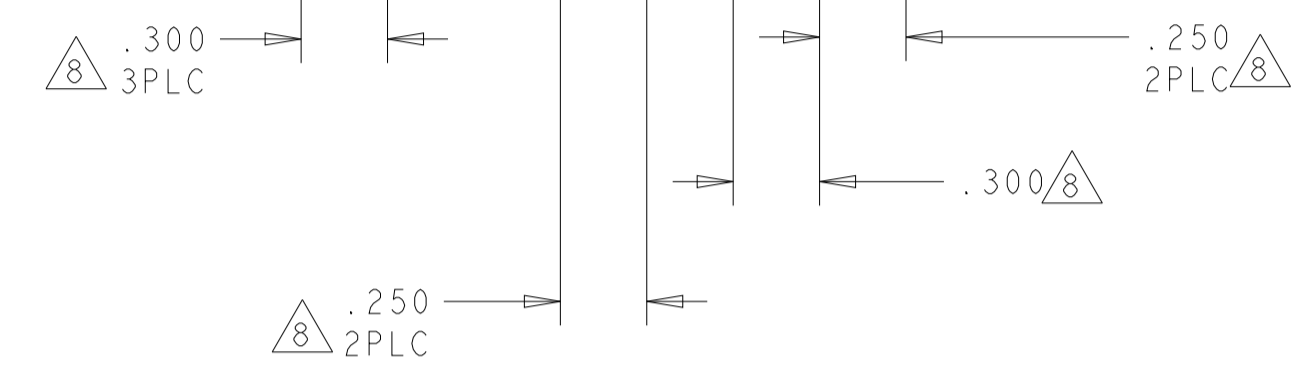
PART NUMBER	ROWS	POWER				SIGNAL					
		P1	P2	P3	P4	1	2	3	4	5	6
1-6450132-8	D					E	J	J	J	J	J
	C					K	K	K	K	K	K
	B					N	N	N	N	N	N
	A					S	S	S	S	S	H
4ACP + 24S											



THIS DRAWING IS A CONTROLLED DOCUMENT.		OWN: R. GRZYBOWSKI 10FEB05		TE Connectivity
DIMENSIONS: INCHES		CHK: M. PERCHERKE 10FEB05		NAME: RIGHT ANGLE HEADER ASSEMBLY W/GUIDES MULTI-BEAM XL
TOLERANCES UNLESS OTHERWISE SPECIFIED:		APVD: M. PERCHERKE	PRODUCT SPEC: 108-1973	
0 PLC ±.01		APPLICATION SPEC: 114-13038		
1 PLC ±.01		WEIGHT: -		
2 PLC ±.01		SIZE: 114-13038		
3 PLC ±.005		CAGE CODE: A100779		
4 PLC ±.002		DRAWING NO: 6450132		
ANGLES: .0020		SHEET 6 OF 11		
FINISH: -		REV: E3		
MATERIAL: -		CUSTOMER DRAWING		
SCALE: 1:1		SHEET 6 OF 11		

LOC	DIST	REVISIONS			
P	LTN	DESCRIPTION	DATE	DMN	APVD
-	-	SEE SHEET 1	-	-	-

PART NUMBER	ROWS	POWER									SIGNAL					
		P1	P2	P3	P4	P5	P6	P7	P8	P9	1	2	3	4	5	6
1-6450132-9	D	PM	PM	PM	PM	PM	PM	PM	PM	PM	J	E	J	J	J	J
	C	PM	PM	PM	PM	PM	PM	PM	PM	PM	K	K	K	K	K	K
	B	PM	PM	PM	PM	PM	PM	PM	PM	PM	N	N	N	N	N	N
	A	PM	PM	PM	PM	PM	PM	PM	PM	PM	S	S	S	S	S	S



THIS DRAWING IS A CONTROLLED DOCUMENT.

DIMENSIONS:	TOLERANCES UNLESS OTHERWISE SPECIFIED:	DMN: R. GRZYBOWSKI TOFEB05	CHK: M. PERCHERKE TOFEB05	APVD: M. PERCHERKE	NAME: RIGHT ANGLE HEADER ASSEMBLY W/GUIDES MULTI-BEAM XL
INCHES	0 PLC ±.01 1 PLC ±.01 2 PLC ±.01 3 PLC ±.005 4 PLC ±.0020 ANGLES ±2°	PRODUCT SPEC: 108-1973	APPLICATION SPEC: 114-13038	WEIGHT: -	RESTRICTED TO: -
MATERIAL: -	FINISH: -	SIZE: 114-13038	SCALE: 1:1	SHEET 7 OF 11	REV E3

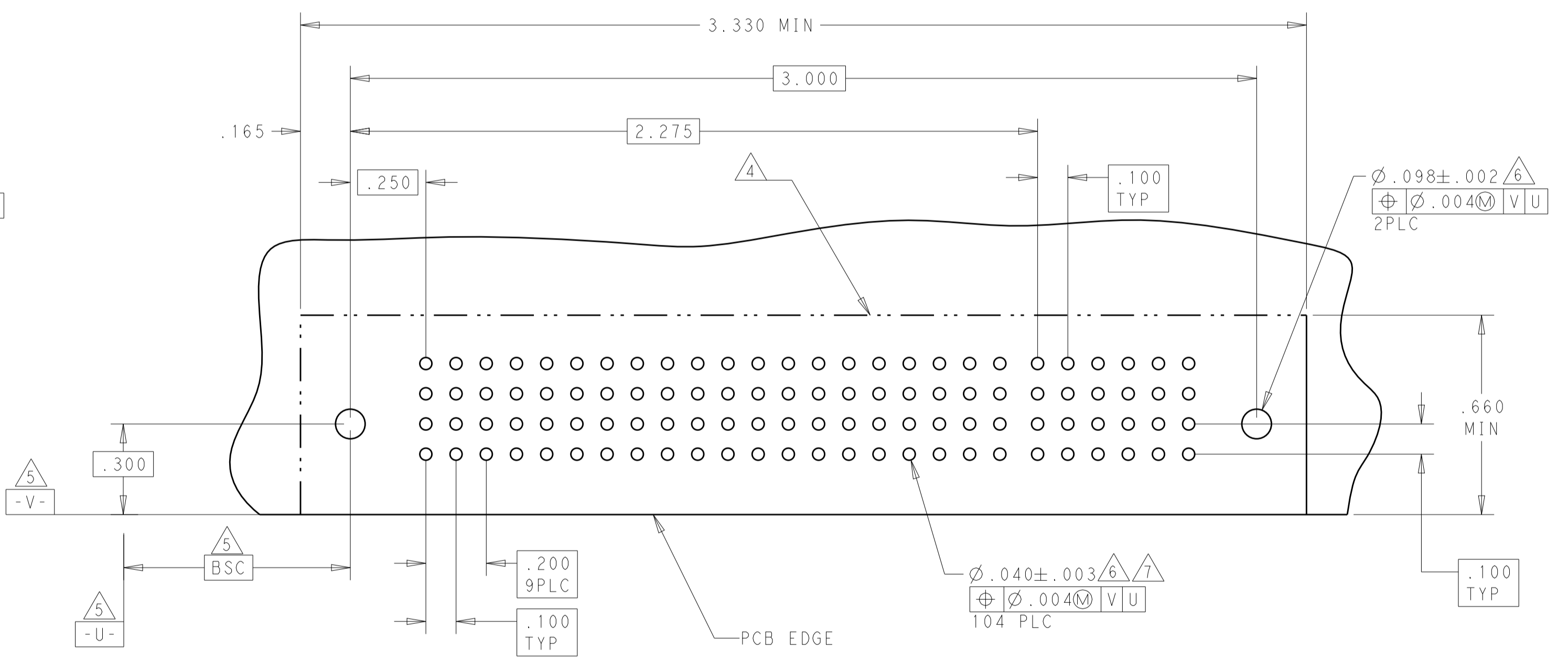
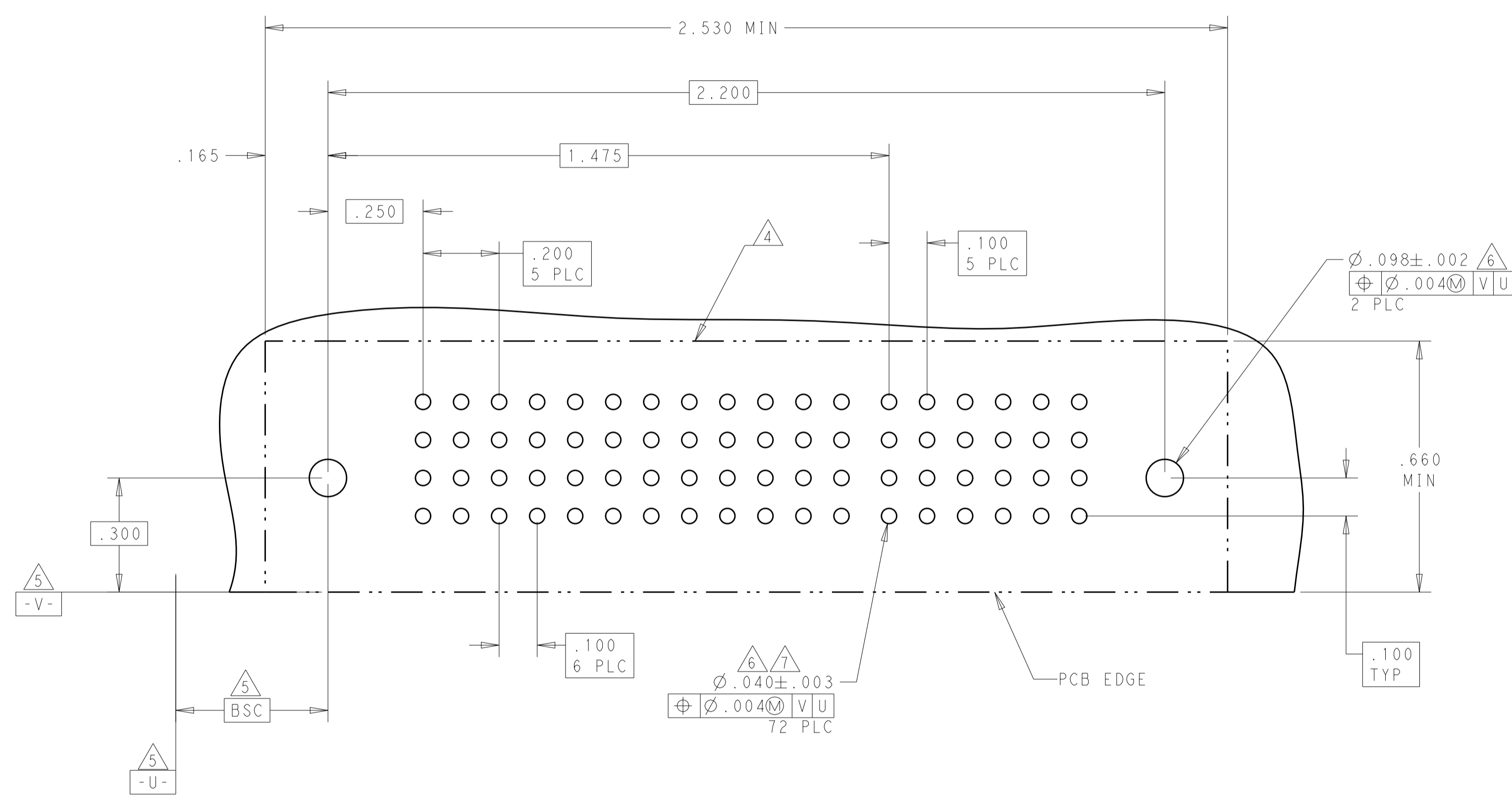
CUSTOMER DRAWING

LOC	DIST	REVISIONS			
P	LTN	DESCRIPTION	DATE	OWN	APVD
-	-	SEE SHEET 1	-	-	-

PART NUMBER	ROWS	POWER						SIGNAL					
		P1	P2	P3	P4	P5	P6	1	2	3	4	5	6
2-6450132-0	D C B A	PM	PM	PM	PM	PM	PM	J	J	J	J	J	J
								K	K	K	K	K	K
								N	N	N	N	N	N
								H	H	H	H	H	H
6P + 24S													

PART NUMBER	ROWS	POWER										SIGNAL					
		P1	P2	P3	P4	P5	P6	P7	P8	P9	P10	1	2	3	4	5	6
2-6450132-1	D C B A	PM	PM	PM	PM	PM	PM	PM	PM	PM	PM	J	E	J	J	J	E
												K	F	K	K	K	F
												N	N	N	N	N	G
												S	S	S	S	S	H
10P + 24S																	

PART NUMBER	ROWS	POWER										SIGNAL					
		P1	P2	P3	P4	P5	P6	P7	P8	P9	P10	1	2	3	4	5	6
2-6450132-3	D C B A	PM	PM	PM	PM	PM	PM	PM	PM	PM	PM	J	E	J	J	J	J
												K	F	K	K	K	K
												N	N	N	N	N	N
												S	S	S	S	S	S
10P + 24S																	



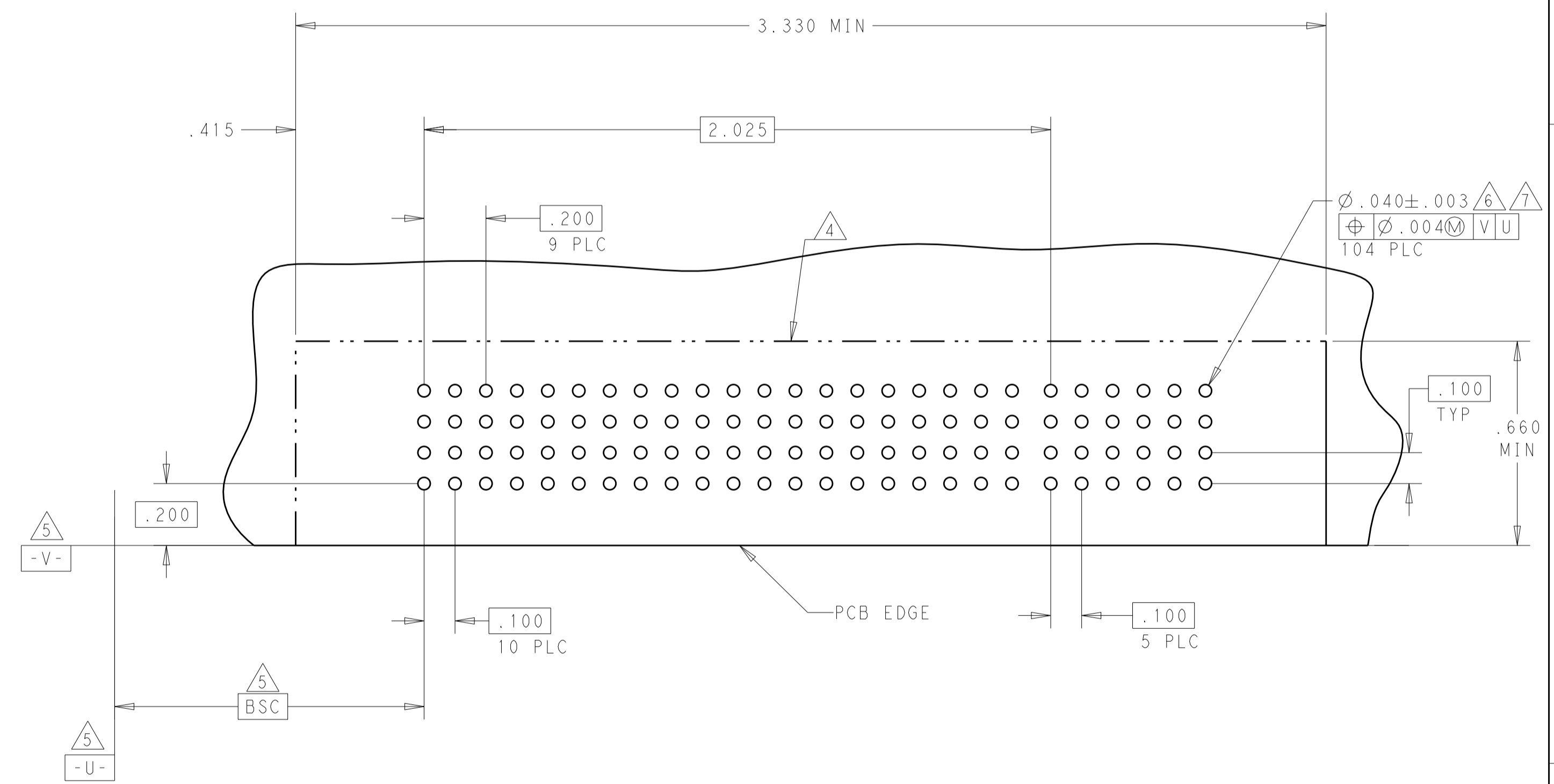
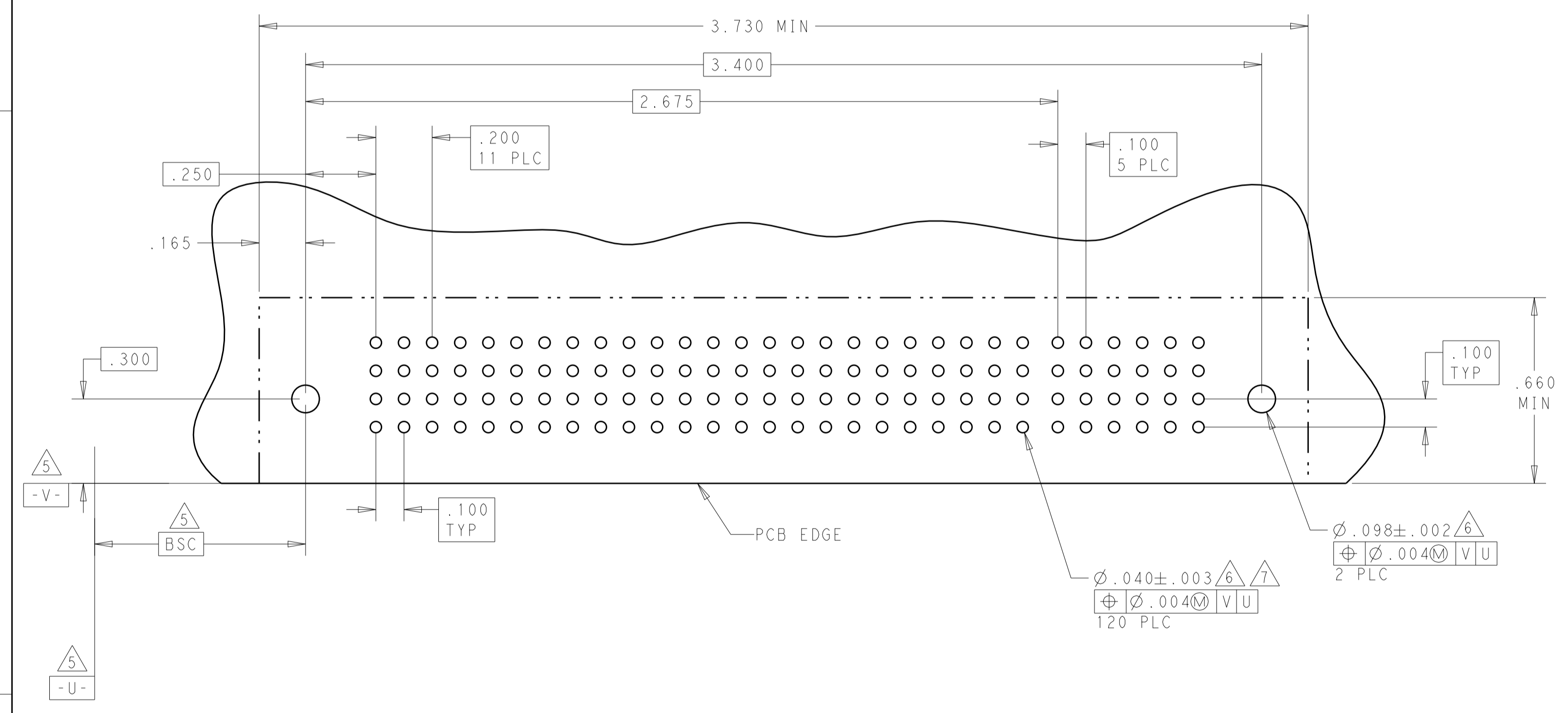
2-6450132-1 AND 2-6450132-3 PCB LAYOUT

THIS DRAWING IS A CONTROLLED DOCUMENT.		OWN: R. GRZYBOWSKI CHK: M. PERCHERKE APVD: M. PERCHERKE	10FEB05 10FEB05	TE Connectivity RIGHT ANGLE HEADER ASSEMBLY W/GUIDES MULTI-BEAM XL
DIMENSIONS: INCHES	TOLERANCES UNLESS OTHERWISE SPECIFIED:	PRODUCT SPEC: 108-1973 APPLICATION SPEC: 114-13038	SIZE: A1 CAGE CODE: 00779 DRAWING NO: C=6450132	
MATERIAL:	FINISH:	WEIGHT:	CUSTOMER DRAWING	RESTRICTED TO: - SCALE: 1:1 SHEET: 8 OF 11 REV: E3

LOC	DIST	REVISIONS			
P	LTN	DESCRIPTION	DATE	DMN	APVD
-	-	SEE SHEET 1	-	-	-

PART NUMBER	ROWS	POWER												SIGNAL					
		P1	P2	P3	P4	P5	P6	P7	P8	P9	P10	P11	P12	1	2	3	4	5	6
		PM	PM	PM	PM	PM	PM	PM	PM	PM	PM	PM	PM	E	J	J	J	J	E
2-6450132-2	D C B A	PM	PM	PM	PM	PM	PM	PM	PM	PM	PM	PM	K	K	K	K	K	K	
12P + 24S		PM	PM	PM	PM	PM	PM	PM	PM	PM	PM	N	N	N	N	N	N		
		PM	PM	PM	PM	PM	PM	PM	PM	PM	PM	S	S	S	S	S	S		

PART NUMBER	ROWS	POWER										SIGNAL					
		P1	P2	P3	P4	P5	P6	P7	P8	P9	P10	1	2	3	4	5	6
		PM	PM	PM	PM	PM	PM	PM	PM	PM	PM	PM	J	E	J	J	J
2-6450132-4	D C B A	PM	PM	PM	PM	PM	PM	PM	PM	PM	PM	K	F	K	K	K	F
10P + 24S		PM	PM	PM	PM	PM	PM	PM	PM	PM	PM	N	N	N	N	N	G
		PM	PM	PM	PM	PM	PM	PM	PM	PM	PM	S	S	S	S	S	H

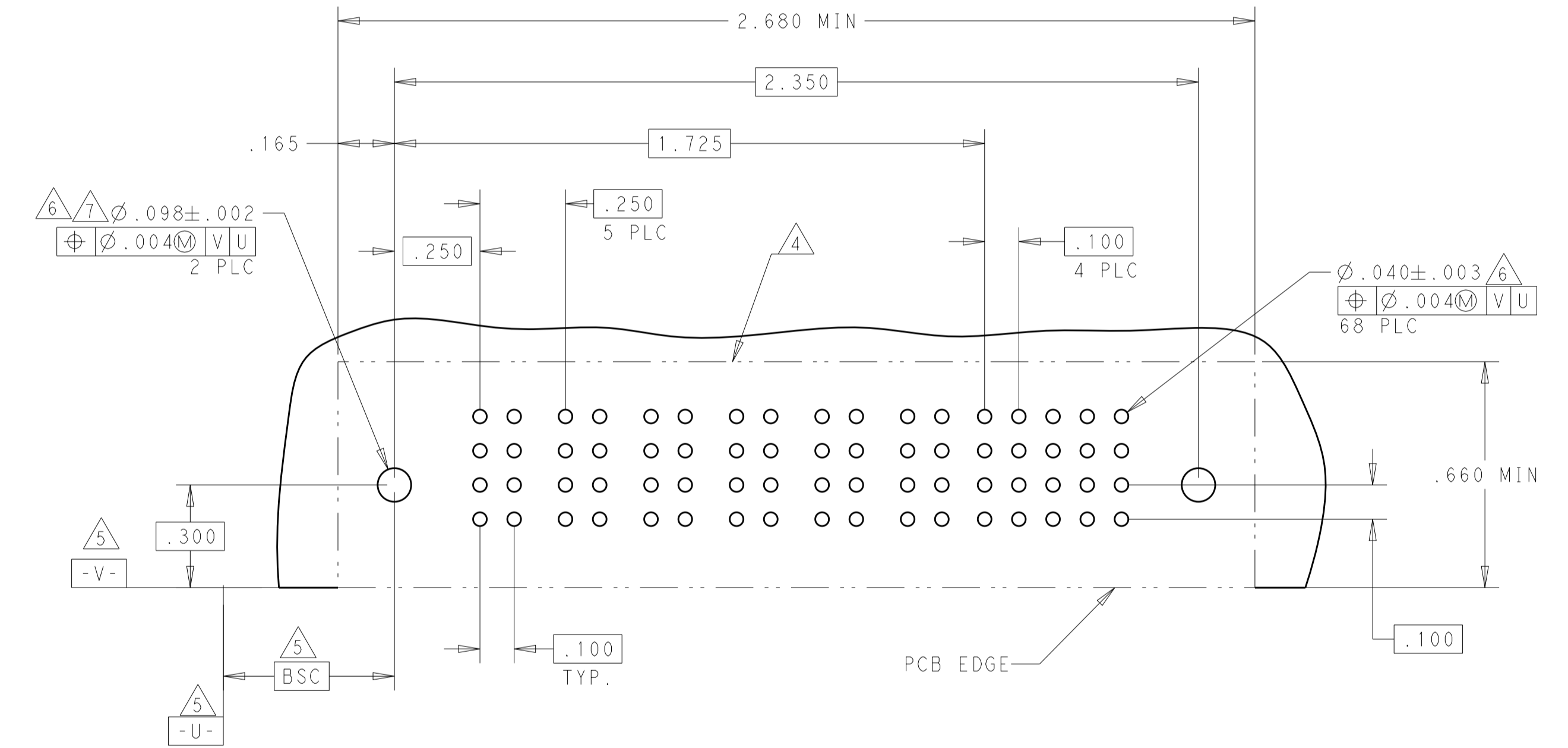
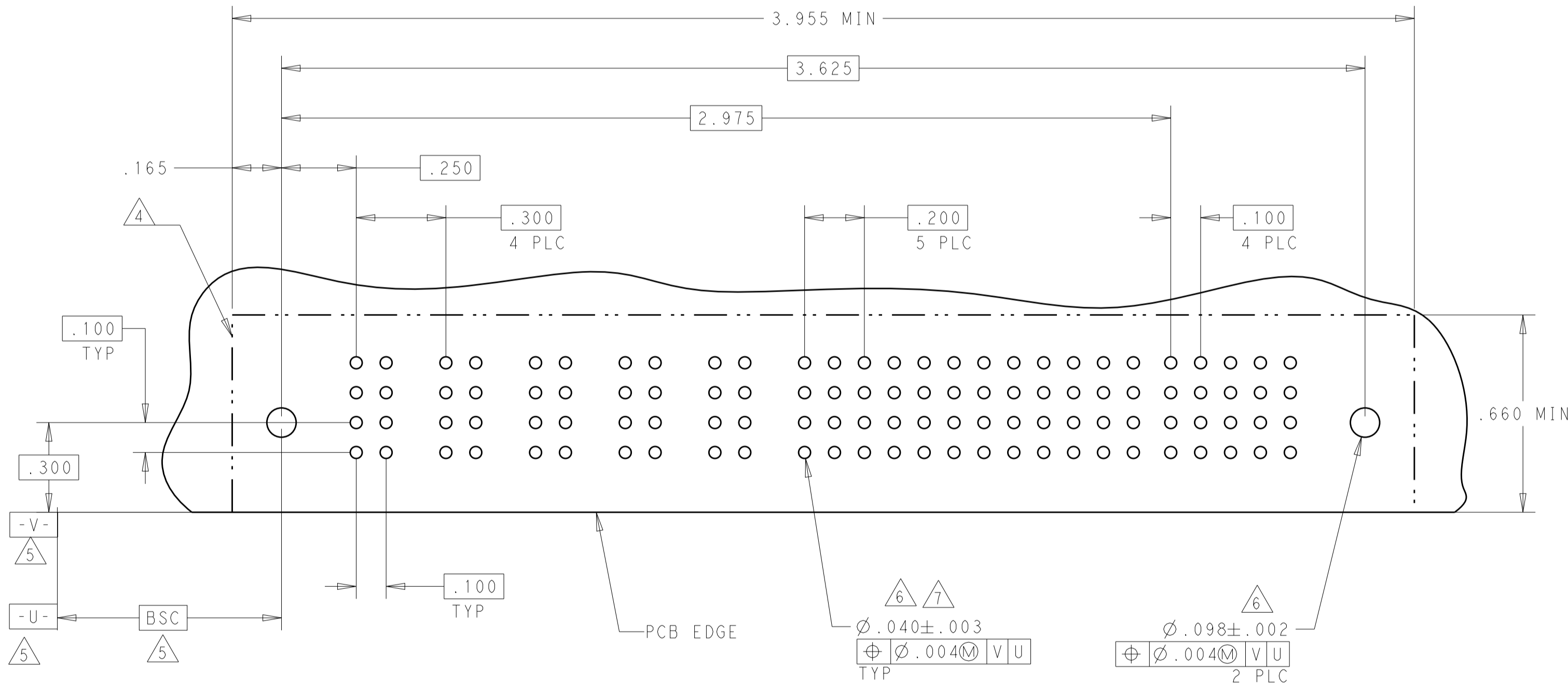
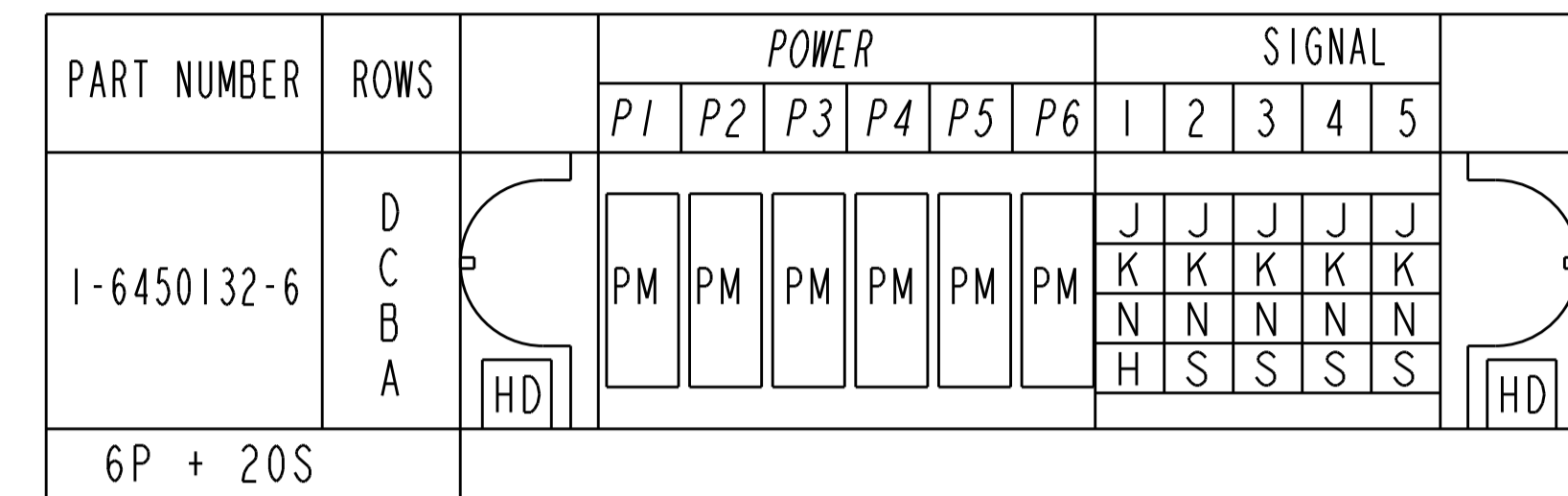
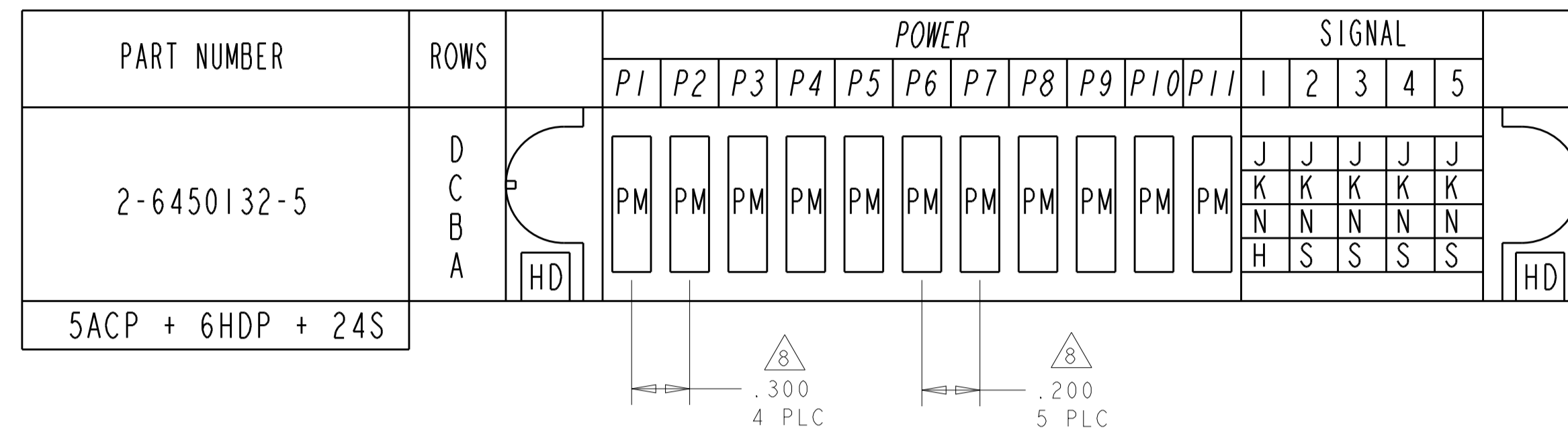


THIS DRAWING IS A CONTROLLED DOCUMENT.

DIMENSIONS: INCHES	TOLERANCES UNLESS OTHERWISE SPECIFIED:	DMN: R. GRZYBOWSKI	TOFEB05
0 PLC ± .01	1 PLC ± .01	CHK: M. PERCHERKE	TOFEB05
2 PLC ± .01	3 PLC ± .01	APVD: M. PERCHERKE	
4 PLC ± .005	5 PLC ± .005	NAME: RIGHT ANGLE HEADER ASSEMBLY W/GUIDES MULTI-BEAM XL	
ANGLES ± .0020	FINISH: #2	PRODUCT SPEC: 108-1973	
		APPLICATION SPEC: 114-13038	
		SIZE: 114-13038	
		WEIGHT: -	
		CAGE CODE: A100779	
		DRAWING NO: C=6450132	
		RESTRICTED TO: -	
		CUSTOMER DRAWING	

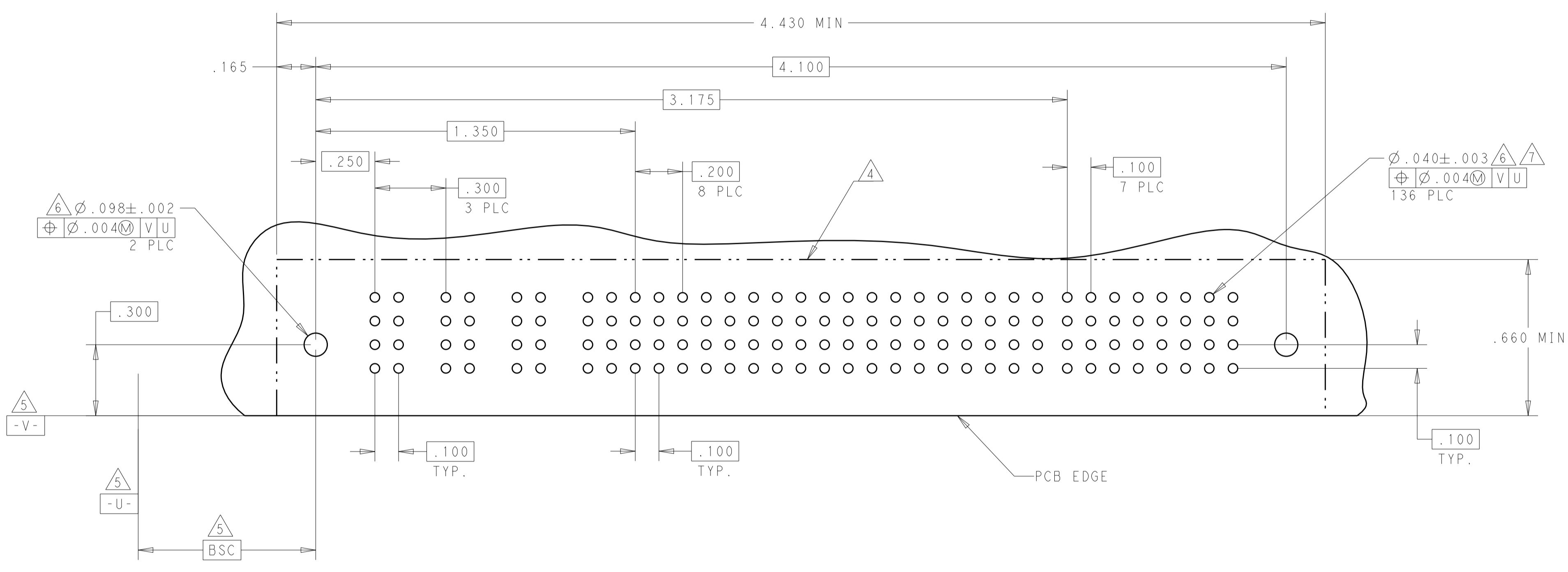
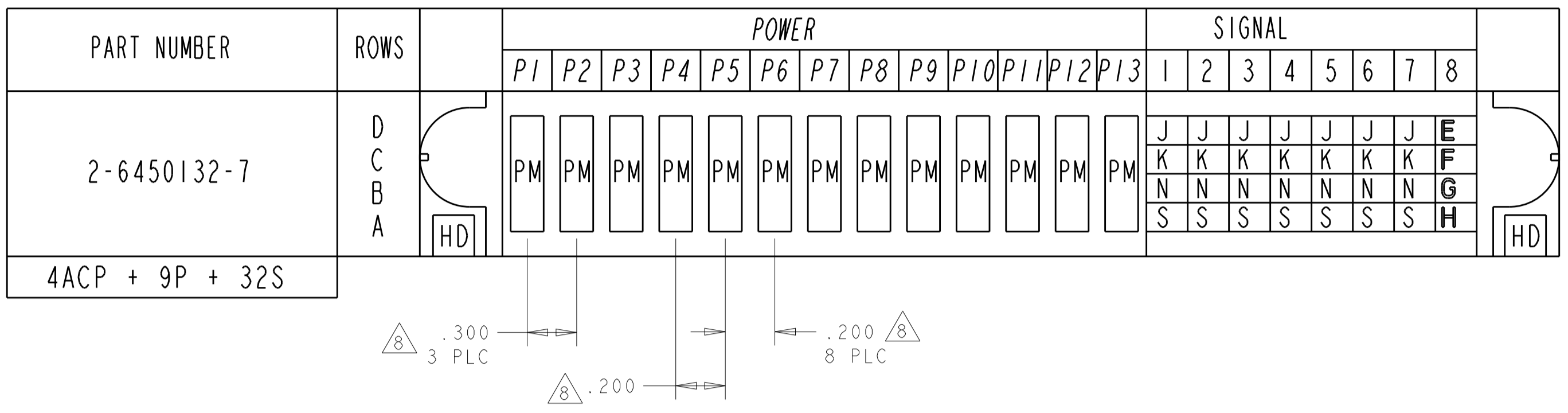
SCALE: 1:1 SHEET 9 OF 11 REV: E3

LOC	DIST	REVISIONS					
GP	00	P	LTN	DESCRIPTION	DATE	DMN	APVD
		-		SEE SHEET 1			



THIS DRAWING IS A CONTROLLED DOCUMENT.		DMN: R. GRZYBOWSKI	TOFEB05	 TE Connectivity
DIMENSIONS: INCHES		CHK: M. PERCHERKE	TOFEB05	
TOLERANCES UNLESS OTHERWISE SPECIFIED:		APVD: M. PERCHERKE		NAME: RIGHT ANGLE HEADER ASSEMBLY W/GUIDES MULTI-BEAM XL
0 PLC ±.01		PRODUCT SPEC: 108-1973		SIZE: CAGE CODE: DRAWING NO: A100779
1 PLC ±.01		APPLICATION SPEC: 114-13038		RESTRICTED TO: -
2 PLC ±.01		WEIGHT: -		SCALE: 1:1
3 PLC ±.005		CUSTOMER DRAWING		SHEET 10 OF 11
4 PLC ±.0020				REV: E3
ANGLES: ±.2°				

LOC		DIST		REVISONS			
GP	00	P	LTH	DESCRIPTION	DATE	DWN	APVD
-	-	-	-	SEE SHEET 1	-	-	-



THIS DRAWING IS A CONTROLLED DOCUMENT.		DWN R. GRZYBOWSKI 10FEB05	TE Connectivity
DIMENSIONS: INCHES		CHK M. PERCHERKE 10FEB05	
TOLERANCES UNLESS OTHERWISE SPECIFIED:		APVD M. PERCHERKE	NAME RIGHT ANGLE HEADER ASSEMBLY W/GUIDES MULTI-BEAM XL
0 PLC ±.01		PRODUCT SPEC 108-1973	SIZE CAGE CODE DRAWING NO. RESTRICTED TO
1 PLC ±.01		APPLICATION SPEC 114-13038	A100779C=6450132
2 PLC ±.005		WEIGHT	SCALE 1:1 SHEET 11 OF 11 REV E3
3 PLC ±.0020		FINISH	CUSTOMER DRAWING
ANGLES ±.2°		MATERIAL	

Компания «Life Electronics» занимается поставками электронных компонентов импортного и отечественного производства от производителей и со складов крупных дистрибьюторов Европы, Америки и Азии.

С конца 2013 года компания активно расширяет линейку поставок компонентов по направлению коаксиальный кабель, кварцевые генераторы и конденсаторы (керамические, пленочные, электролитические), за счёт заключения дистрибьюторских договоров

Мы предлагаем:

- Конкуренспособные цены и скидки постоянным клиентам.
- Специальные условия для постоянных клиентов.
- Подбор аналогов.
- Поставку компонентов в любых объемах, удовлетворяющих вашим потребностям.
- Приемлемые сроки поставки, возможна ускоренная поставка.
- Доставку товара в любую точку России и стран СНГ.
- Комплексную поставку.
- Работу по проектам и поставку образцов.
- Формирование склада под заказчика.
- Сертификаты соответствия на поставляемую продукцию (по желанию клиента).
- Тестирование поставляемой продукции.
- Поставку компонентов, требующих военную и космическую приемку.
- Входной контроль качества.
- Наличие сертификата ISO.

В составе нашей компании организован Конструкторский отдел, призванный помогать разработчикам, и инженерам.

Конструкторский отдел помогает осуществить:

- Регистрацию проекта у производителя компонентов.
- Техническую поддержку проекта.
- Защиту от снятия компонента с производства.
- Оценку стоимости проекта по компонентам.
- Изготовление тестовой платы монтаж и пусконаладочные работы.



Тел: +7 (812) 336 43 04 (многоканальный)

Email: org@lifeelectronics.ru