

General Description

The MAX31865 is an easy-to-use resistance-to-digital converter optimized for platinum resistance temperature detectors (RTDs). An external resistor sets the sensitivity for the RTD being used and a precision delta-sigma ADC converts the ratio of the RTD resistance to the reference resistance into digital form. The MAX31865's inputs are protected against overvoltage faults as large as $\pm 45V$. Programmable detection of RTD and cable open and short conditions is included.

Applications

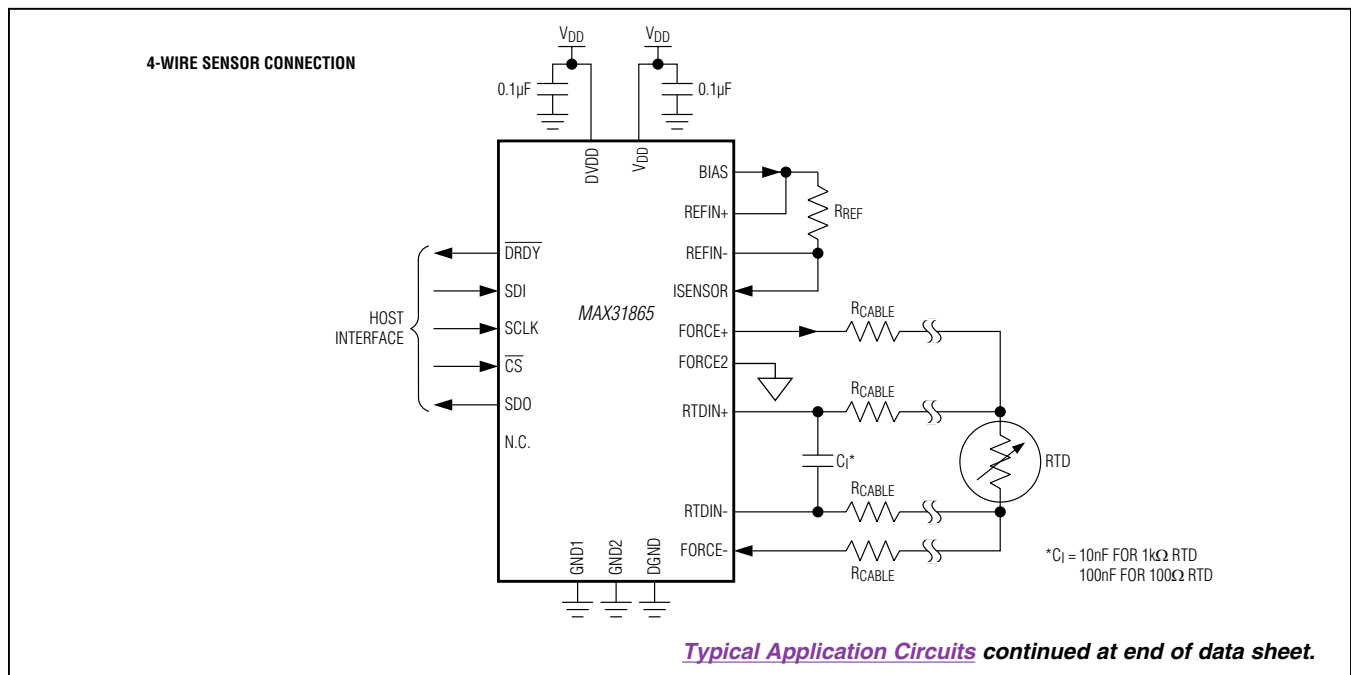
Industrial Equipment
 Medical Equipment
 Instrumentation

Ordering Information appears at end of data sheet.

Benefits and Features

- Integration Lowers System Cost, Simplifies Design Efforts, and Reduces Design Cycle Time
 - Simple Conversion of Platinum RTD Resistance to Digital Value
 - Handles 100 Ω to 1k Ω (at 0°C) Platinum RTDs (PT100 to PT1000)
 - Compatible with 2-, 3-, and 4-Wire Sensor Connections
 - SPI-Compatible Interface
 - 20-Pin TQFN and SSOP Packages
- High Accuracy Facilitates Meeting Error Budgets
 - 15-Bit ADC Resolution; Nominal Temperature Resolution 0.03125°C (Varies Due to RTD Nonlinearity)
 - Total Accuracy Over All Operating Conditions: 0.5°C (0.05% of Full Scale) max
 - Fully Differential V_{REF} Inputs
 - 21ms (max) Conversion Time
- Integrated Fault Detection Increases System Reliability
 - $\pm 45V$ Input Protection
 - Fault Detection (Open RTD Element, RTD Shorted to Out-of-Range Voltage, or Short Across RTD Element)

Typical Application Circuits



Absolute Maximum Ratings

Voltage Range on V_{DD} Relative to GND1.....-0.3V to +4.0V
 Voltage Range on BIAS, REFIN+,
 REFIN-, ISENSOR..... -0.3V to (V_{DD} + 0.3V)
 Voltage Range on FORCE+, FORCE2,
 FORCE-, RTDIN+, RTDIN- Relative to GND1 -50V to +50V
 Voltage Range on DVDD Relative to DGND.....-0.3V to +4.0V
 Voltage Range on All Digital Pins
 Relative to DGND -0.3V to (V_{DVDD} + 0.3V)

Continuous Power Dissipation (T_A = +70°C)
 TQFN (derate 34.5mW/°C above +70°C).....2758.6mW
 SSOP (derate 11.9mW/°C above +70° C).....952.4mW
 ESD Protection (all pins, Human Body Model).....±2kV
 Operating Temperature Range.....-40°C to +125°C
 Junction Temperature+150°C
 Storage Temperature Range.....-65°C to +150°C
 Soldering Temperature (reflow)+260°C
 Lead Temperature (soldering, 10s)+300°C

Stresses beyond those listed under "Absolute Maximum Ratings" may cause permanent damage to the device. These are stress ratings only, and functional operation of the device at these or any other conditions beyond those indicated in the operational sections of the specifications is not implied. Exposure to absolute maximum rating conditions for extended periods may affect device reliability.

Package Thermal Characteristics (Note 1)

TQFN

Junction-to-Ambient Thermal Resistance (θ_{JA})29°C/W
 Junction-to-Case Thermal Resistance (θ_{JC}).....2°C/W

SSOP

Junction-to-Ambient Thermal Resistance (θ_{JA})84°C/W
 Junction-to-Case Thermal Resistance (θ_{JC}).....32°C/W

Note 1: Package thermal resistances were obtained using the method described in JEDEC specification JESD51-7, using a four-layer board. For detailed information on package thermal considerations, refer to www.maximintegrated.com/thermal-tutorial.

Recommended DC Operating Conditions

(T_A = -40°C to +125°C, unless otherwise noted.) (Notes 2 and 3)

| PARAMETER | SYMBOL | CONDITIONS | MIN | TYP | MAX | UNITS |
|--|--------------------|-----------------------------|-------------------------|-----|-------------------------|-------|
| V _{DD} | V _{DD} | | 3.0 | 3.3 | 3.6 | V |
| DVDD | V _{DVDD} | | 3.0 | 3.3 | 3.6 | V |
| Input Logic 0 | V _{IL} | \overline{CS} , SDI, SCLK | -0.3 | | 0.3 x V _{DVDD} | V |
| Input Logic 1 | V _{IH} | \overline{CS} , SDI, SCLK | 0.7 x V _{DVDD} | | V _{DVDD} + 0.3 | V |
| Analog Voltages (FORCE+, FORCE2, FORCE-, RTDIN+, RTDIN-) | | Normal conversion results | 0 | | V _{BIAS} | V |
| Reference Resistor | R _{REF} | | 350 | | 10k | Ω |
| Cable Resistance | R _{CABLE} | Per lead | 0 | | 50 | Ω |

Electrical Characteristics

(3.0V ≤ V_{DD} ≤ 3.6V, T_A = -40°C to +125°C, unless otherwise noted. Typical values are T_A = +25°C, V_{DD} = V_{DVDD} = 3.3V.) (Notes 2 and 3)

| PARAMETER | SYMBOL | CONDITIONS | MIN | TYP | MAX | UNITS |
|--|--------|------------------|-----|-----------------|-----|-------|
| ADC Resolution | | No missing codes | | 15 | | Bits |
| ADC Full-Scale Input Voltage (RTDIN+ - RTDIN-) | | | | REFIN+ - REFIN- | | V |

Electrical Characteristics (continued)

($3.0V \leq V_{DD} \leq 3.6V$, $T_A = -40^\circ\text{C}$ to $+125^\circ\text{C}$, unless otherwise noted. Typical values are $T_A = +25^\circ\text{C}$, $V_{DD} = V_{DVDD} = 3.3V$.) (Notes 2 and 3)

| PARAMETER | SYMBOL | CONDITIONS | MIN | TYP | MAX | UNITS |
|--------------------------------------|-------------------|--|------------------|---------|------------|-------------------|
| ADC Common-Mode Input Range | | | 0 | | V_{BIAS} | V |
| Input Leakage Current | | RTDIN+, RTDIN-, 0°C to $+70^\circ\text{C}$, on-state | | 2 | | nA |
| | | RTDIN+, RTDIN-, -40°C to $+85^\circ\text{C}$, on-state | | 5 | | |
| | | RTDIN+, RTDIN-, -40°C to 100°C , on-state | | 14 | | |
| Bias Voltage | V_{BIAS} | | 1.95 | 2.00 | 2.06 | V |
| Bias Voltage Output Current | I_{OUT} | | 0.2 | | 5.75 | mA |
| Bias Voltage Load Regulation | | $I_{OUT} \leq 5.75\text{mA}$ | | 30 | | mV/mA |
| Bias Voltage Startup Time | | (Note 4) | | | 10 | ms |
| ADC Full-Scale Error | | | | ± 1 | | LSB |
| ADC Integral Nonlinearity | | Differential Input, endpoint fit, $0.3 \times V_{BIAS} \leq V_{REF} \leq V_{BIAS}$ | | ± 1 | | LSB |
| ADC Offset Error | | | -3 | | +3 | LSB |
| Noise (over Nyquist Bandwidth) | | Input referred | | 150 | | $\mu\text{V RMS}$ |
| Common-Mode Rejection | | | | 90 | | dB |
| 50/60Hz Noise Rejection | | Fundamental and harmonics | | 82 | | dB |
| Temperature Conversion Time (Note 5) | t_{CONV} | Continuous conversion (60Hz notch) | | 16.7 | 17.6 | ms |
| | | Single conversion (60Hz notch) | | 52 | 55 | |
| | | Single conversion (50Hz notch) | | 62.5 | 66 | |
| | | Continuous conversion (50Hz notch) | | 20 | 21 | |
| Automatic Fault Detection Cycle Time | | From \overline{CS} high to cycle complete | | 550 | 600 | μs |
| Power-Supply Rejection | | | | 1 | | LSB/V |
| Power-Supply Current (Note 6) | I_{DD} Shutdown | Bias off, ADC off | | 1.5 | 3 | mA |
| | I_{DD} | Bias on, active conversion | | 2 | 3.5 | mA |
| Power-On Reset Voltage Threshold | | | 2 | 2.27 | | V |
| Power-On Reset Voltage Hysteresis | | | | 120 | | mV |
| Input Capacitance | C_{IN} | Logic inputs | | 6 | | pF |
| Input Leakage Current | I_L | Logic inputs | -1 | | +1 | μA |
| Output High Voltage | V_{OH} | $I_{OUT} = -1.6\text{mA}$ | $V_{DVDD} - 0.4$ | | | V |
| Output Low Voltage | V_{OL} | $I_{OUT} = 1.6\text{mA}$ | | | 0.4 | V |

AC Electrical Characteristics: SPI Interface

($3.0V \leq V_{DD} \leq 3.6V$, $T_A = -40^\circ\text{C}$ to $+125^\circ\text{C}$, unless otherwise noted. Typical values are $T_A = +25^\circ\text{C}$, $V_{DD} = V_{DVDD} = 3.3V$.) (Notes 3 and 7) (Figure 1 and Figure 2)

| PARAMETER | SYMBOL | CONDITIONS | MIN | TYP | MAX | UNITS |
|--|-------------|---|-----|-----|-----|-------|
| Data to SCLK Setup | t_{DC} | (Notes 8, 9) | 35 | | | ns |
| SCLK to Data Hold | t_{CDH} | (Notes 8, 9) | 35 | | | ns |
| SCLK to Data Valid | t_{CDD} | (Notes 8, 9, 10) | | | 80 | ns |
| SCLK Low Time | t_{CL} | (Note 9) | 100 | | | ns |
| SCLK High Time | t_{CH} | (Note 9) | 100 | | | ns |
| SCLK Frequency | t_{CLK} | (Note 9) | DC | | 5.0 | MHz |
| SCLK Rise and Fall | t_R, t_F | (Note 9) | | | 200 | ns |
| \overline{CS} to SCLK Setup | t_{CC} | (Note 9) | 400 | | | ns |
| SCLK to \overline{CS} Hold | t_{CCH} | (Note 9) | 100 | | | ns |
| \overline{CS} Inactive Time | t_{CWH} | (Note 9) | 400 | | | ns |
| \overline{CS} to Output High-Z | t_{CDZ} | (Notes 8, 9) | | | 40 | ns |
| Address 01h or 02h Decoded to \overline{DRDY} High | t_{DRDYH} | After RTD register read access (Note 9) | | 50 | | ns |

Note 2: All voltages are referenced to ground when common. Currents entering the IC are specified positive.

Note 3: Limits are 100% production tested at $T_A = +25^\circ\text{C}$ and/or $T_A = +85^\circ\text{C}$. Limits over the operating temperature range and relevant supply voltage range are guaranteed by design and characterization. Typical values are not guaranteed.

Note 4: For 15-bit settling, a wait of at least 10.5 time constants of the input RC network is required. Max startup time is calculated with a $10\text{k}\Omega$ reference resistor and a $0.1\mu\text{F}$ capacitor across the RTD inputs.

Note 5: The first conversion after enabling continuous conversion mode takes a time equal to the single conversion time for the respective notch frequency.

Note 6: Specified with no load on the bias pin as the sum of analog and digital currents. No active communication. If the RTD input voltage is greater than the input reference voltage, then an additional $400\mu\text{A}$ I_{DD} can be expected.

Note 7: All timing specifications are guaranteed by design.

Note 8: Measured at $V_{IH} = 0.7V \times V_{DVDD}$ or $V_{IL} = 0.3 \times V_{DVDD}$ and 10ms maximum rise and fall times.

Note 9: Measured with 50pF load.

Note 10: Measured at $V_{OH} = 0.7 \times V_{DVDD}$ or $V_{OL} = 0.3 \times V_{DVDD}$. Measured from the 50% point of SCLK to the V_{OH} minimum of \overline{SDO} .

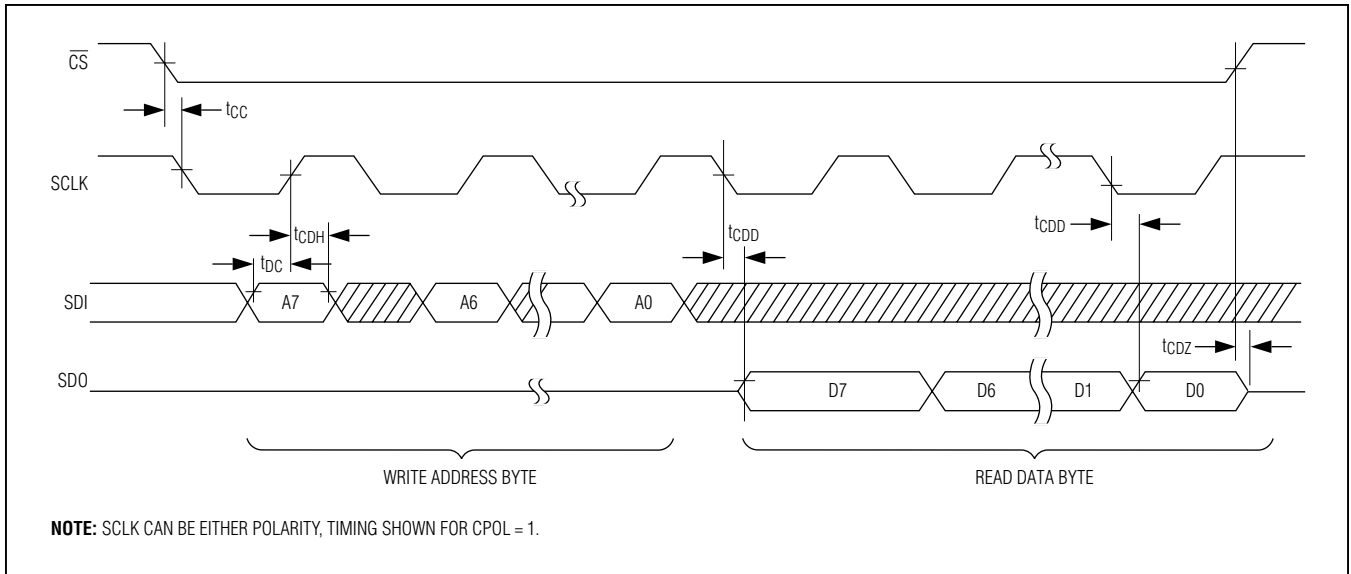


Figure 1. Timing Diagram: SPI Read Data Transfer

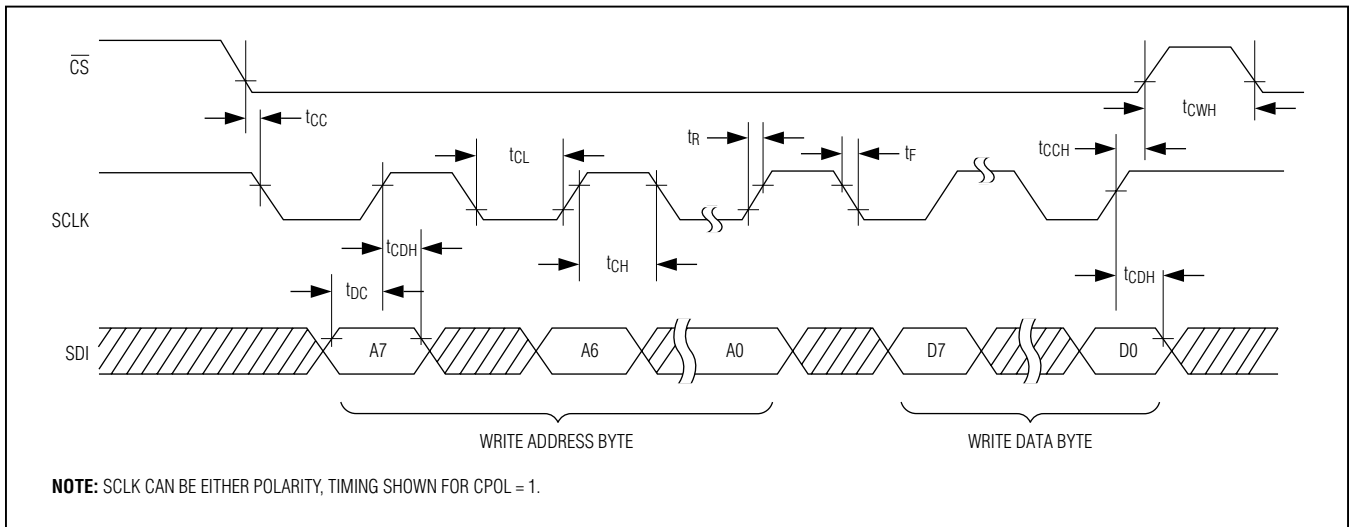
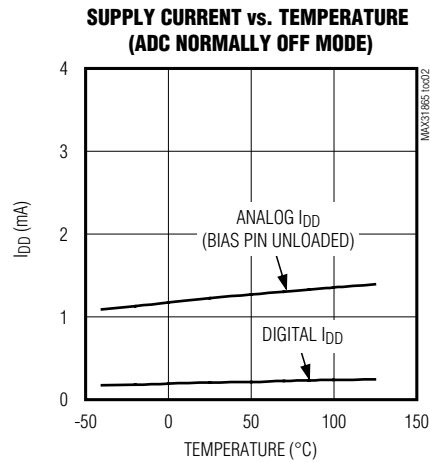
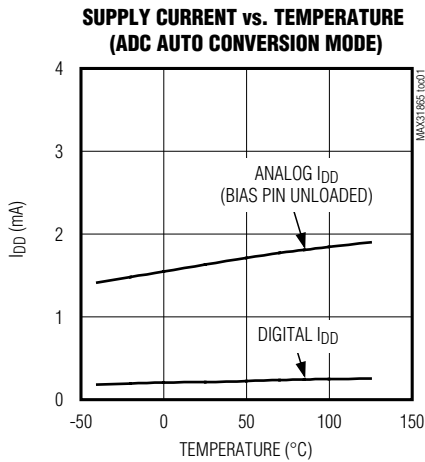


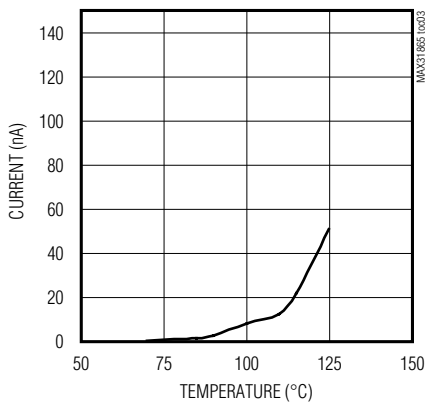
Figure 2. Timing Diagram: SPI Write Data Transfer

Typical Operating Characteristics

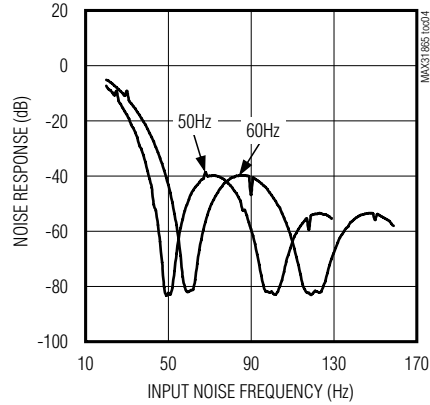
($V_{DD} = V_{DVDD} = 3.3V$, $T_A = +25^\circ C$, unless otherwise noted.)



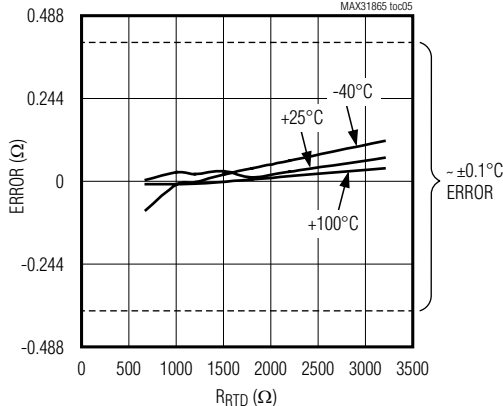
LEAKAGE CURRENT PER PIN vs. TEMPERATURE (1 VOLT APPLIED TO FORCE+, FORCE2, RTDIN+, RTDIN- PINS)



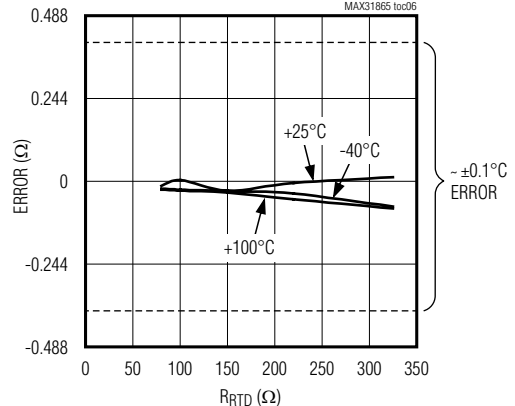
SINC FILTER OPERATION INPUT FREQUENCY vs. NOISE RESPONSE



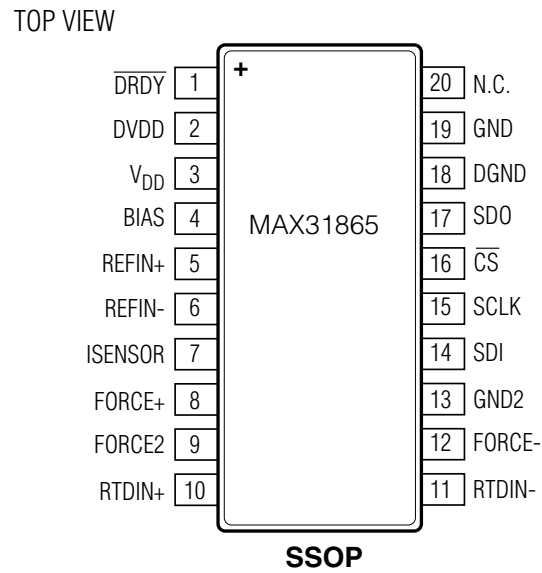
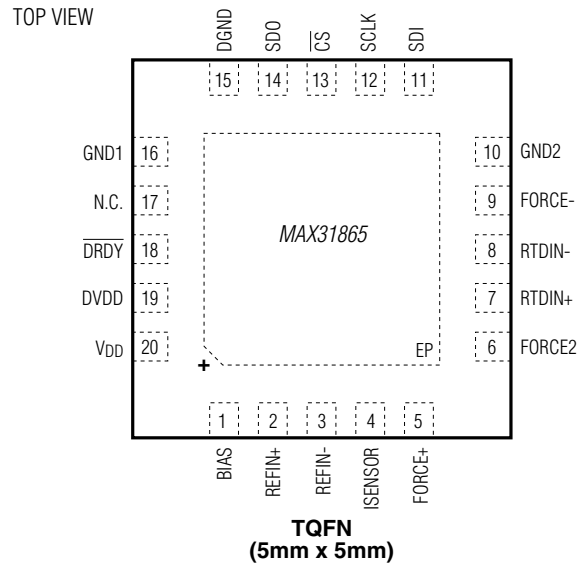
ADC CONVERSION ERROR vs. RTD RESISTANCE (4kΩ R_REF, 4-WIRE CONNECTION)



ADC CONVERSION ERROR vs. RTD RESISTANCE (400Ω R_REF, 4-WIRE CONNECTION)



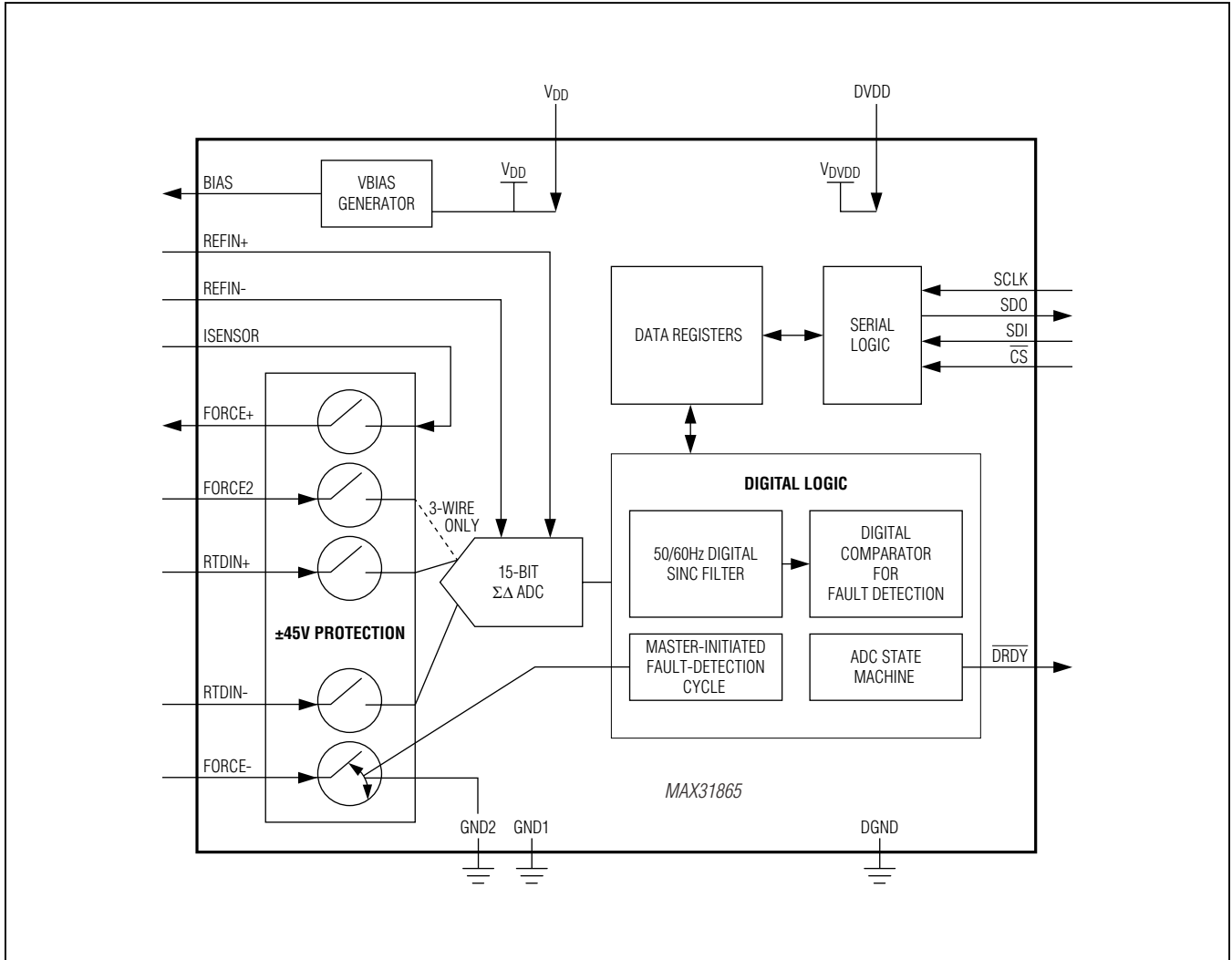
Pin Configurations



Pin Description

| PIN | | NAME | FUNCTION |
|------|------|-------------------|--|
| TQFN | SSOP | | |
| 1 | 4 | BIAS | Bias Voltage Output (V_{BIAS}) |
| 2 | 5 | REFIN+ | Positive Reference Voltage Input. Connect to BIAS. Connect the reference resistor between REFIN+ and REFIN-. |
| 3 | 6 | REFIN- | Negative Reference Voltage Input. Connect the reference resistor between REFIN+ and REFIN-. |
| 4 | 7 | ISENSOR | Low Side of RREF. Connect to REFIN-. |
| 5 | 8 | FORCE+ | High-Side RTD Drive. Connect to FORCE2 when using the 3-wire connection configuration. Protected to $\pm 45V$. |
| 6 | 9 | FORCE2 | Positive Input Used in 3-Wire Only. When in the 3-wire connection configuration, connect to FORCE+. When in the 2-wire or 4-wire connection configuration, connect to ground. Protected to $\pm 45V$. |
| 7 | 10 | RTDIN+ | Positive RTD Input. Protected to $\pm 45V$. |
| 8 | 11 | RTDIN- | Negative RTD Input. Protected to $\pm 45V$. |
| 9 | 12 | FORCE- | Low-Side RTD Return. Protected to $\pm 45V$. |
| 10 | 13 | GND2 | Analog Ground. Connect to GND1. |
| 11 | 14 | SDI | Serial-Data Input |
| 12 | 15 | SCLK | Serial-Data Clock Input |
| 13 | 16 | \overline{CS} | Active-Low Chip Select. Set \overline{CS} low to enable the serial interface. |
| 14 | 17 | SDO | Serial-Data Output |
| 15 | 18 | DGND | Digital Ground |
| 16 | 19 | GND1 | Analog Ground. Connect to GND2. |
| 17 | 20 | N.C. | Do Not Connect |
| 18 | 1 | \overline{DRDY} | Active-Low Push-Pull Data-Ready Output. \overline{DRDY} goes low when a new conversion result is available in the data register. When a read operation of an RTD resistance data register occurs, DRDY returns high. |
| 19 | 2 | DVDD | Digital Supply Voltage Input. Connect to a 3.3V power supply. Bypass to DGND with a 0.1 μ F bypass capacitor. |
| 20 | 3 | V_{DD} | Analog Supply Voltage Input. Connect to a 3.3V power supply. Bypass to GND1 with a 0.1 μ F bypass capacitor. |
| — | — | EP | Exposed Pad (Bottom Side of Package). Connect to GND1. Applies to TQFN package only. |

Block Diagram



Detailed Description

The MAX31865 is a sophisticated RTD-to-digital converter with a built-in 15-bit analog-to-digital converter (ADC), input protection, a digital controller, an SPI-compatible interface, and associated control logic. The signal conditioning circuitry is optimized to work with PT100 through PT1000 RTDs. Thermistors are also supported.

Temperature Conversion

Resistance temperature detectors (RTDs) are sensors whose resistance varies with temperature. Platinum is the most common, most accurate wire material; platinum RTDs are referred to as PT-RTDs. Nickel, copper, and other metals may also be used to make RTDs. Characteristics of platinum RTDs include a wide temperature range (to over +800°C), excellent accuracy and repeatability, and reasonable linearity.

For PT-RTDs, the most common values for nominal resistance at 0°C are 100Ω and 1kΩ, though other values are available. The average slope between 0°C and +100°C is called alpha (α). This value depends on the impurities and their concentrations in the platinum. The two most widely used values for alpha are 0.00385 and 0.00392, corresponding to the IEC 751 (PT100) and SAMA standards.

The resistance vs. temperature curve is reasonably linear, but has some curvature, as described by the Callendar-Van Dusen equation:

$$R(T) = R_0(1 + aT + bT^2 + c(T - 100)T^3)$$

where:

T = temperature (°C)

R(T) = resistance at T

R₀ = resistance at T = 0°C

IEC 751 specifies $\alpha = 0.00385055$ and the following Callendar-Van Dusen coefficient values:

$$a = 3.90830 \times 10^{-3}$$

$$b = -5.77500 \times 10^{-7}$$

$$c = -4.18301 \times 10^{-12} \text{ for } -200^\circ\text{C} \leq T \leq 0^\circ\text{C}, \text{ 0 for } 0^\circ\text{C} \leq T \leq +850^\circ\text{C}$$

Figure 3 shows the curve of resistance vs. temperature for a PT100 RTD along with a straight-line approximation based on the slope between 0°C and +100°C.

To measure the RTD's resistance, connect a reference resistor (R_{REF}) and RTD in series and apply the bias voltage to the top of R_{REF} as shown in the [Typical](#)

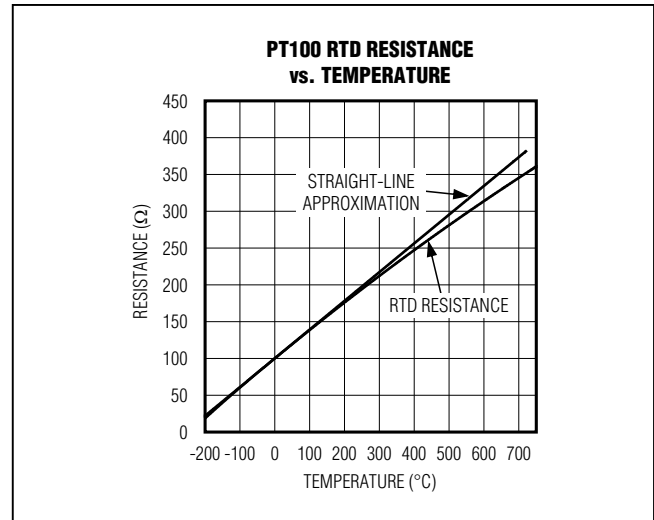


Figure 3. PT100 RTD resistance vs. temperature.

Application Circuits. The reference resistor current also flows through the RTD. The voltage across the reference resistor is the reference voltage for the ADC. The voltage across the RTD is applied to the ADC's differential inputs (RTDIN+ and RTDIN-). The ADC therefore produces a digital output that is equal to the ratio of the RTD resistance to the reference resistance. A reference resistor equal to four times the RTD's 0°C resistance is optimum for a platinum RTD. Therefore, a PT100 uses a 400Ω reference resistor, and a PT1000 uses a 4kΩ reference resistor.

A 2-wire connection (see the [Typical Application Circuits](#)) can give acceptable results when the RTD is located close to the MAX31865. Note that, for a PT100, series resistance of 0.4Ω causes an error of approximately 1°C. Therefore, as the cable length increases, the error due to cable resistance can become excessive.

The 4-wire connection eliminates errors due to cable resistance by using separate force and sense leads.

A 3-wire connection is a compromise approach that uses one less conductor than the 4-wire approach. To compensate for the voltage drop across the return wire, the voltage between FORCE+ and RTDIN+ is subtracted from (RTDIN+ - RTDIN-). This is accomplished using the FORCE2 sampling input. If the cable resistances are well-matched, the error due to cable resistance is cancelled. Select 3-wire operation by setting the 3-wire bit in the Configuration register to 1.

Linearizing Temperature Data

For a temperature range of -100°C to +100°C, a good approximation of temperature can be made by simply using the RTD data as shown below:

$$\text{Temperature (}^\circ\text{C)} \approx (\text{ADC code}/32) - 256$$

This equation gives 0°C error at 0°C, -1.75°C error at -100°C, and -1.4°C error at +100°C (assuming an IEC751 RTD and R_{REF} equal to four times the 0 °C RTD resistance). For high precision, use the Callendar-Van Dusen equation (in the [Temperature Conversion](#) section) or a lookup table to correct the RTD's predictable nonlinearity.

Using Thermistors

Other resistive sensors, such as thermistors (NTCs or PTCs) may be used. Select an R_{REF} that is greater than or equal to the sensor's maximum resistance over the temperature range of interest. The output data is the ratio of the sensor resistance to the reference resistance.

Analog-to-Digital Converter (ADC)

The ADC has fully differential analog inputs, RTDIN+ and RTDIN-, and fully differential reference inputs, REFIN+ and REFIN-. The output code represents the ratio between the analog input voltage and the reference voltage. A negative input voltage produces an output code of 0. An input voltage greater than the reference voltage produces a full-scale output.

Input noise is attenuated by a third-order digital "sinc" filter. Noise from 50Hz or 60Hz power sources (including harmonics of the ac power's fundamental frequency) is attenuated by 82dB.

Fault Detection and Input Protection

The MAX31865 detects a variety of faults that can occur with the external RTD and 2-, 3-, or 4-wire cables. Some faults are detected on every conversion, while

others are detected only when a fault detection cycle is requested by the master. During a fault detection cycle the MAX31865 has the ability to disconnect the FORCE- input from its GND2 return path by means of an internal analog switch.

The conditions that generate a fault are listed below, see [Figure 4](#) for a fault detection flowchart.

- Detected at any point in time
 - Overvoltage ($> V_{DD}$) or undervoltage ($< GND1$) condition on FORCE+, FORCE2, RTDIN+, RTDIN-, or FORCE- pins
- Detected every ADC conversion
 - Greater than or equal to threshold high conversion result
 - Less than or equal to threshold low conversion result
- Detected on demand by initiating a Fault Detection Cycle (Configuration Register bits (D[3:2])
 - $V_{REFIN-} > 0.85 \times V_{BIAS}$
 - $V_{REFIN-} < 0.85 \times V_{BIAS}$ when FORCE- input switch is open
 - $V_{RTDIN-} < 0.85 \times V_{BIAS}$ when FORCE- input switch is open

FORCE+, FORCE2, FORCE-, RTDIN+, and RTDIN- are protected against input voltages up to $\pm 45V$. Signals applied to these pins are gated by analog switches that open when the applied voltage is typically greater than $V_{DD} + 100mV$ or less than $GND1 - 400mV$. Note that when a voltage fault occurs, the protection circuits may allow approximately 350 μA of current flow. This fault-induced leakage current does not cause any damage to the MAX31865.

When an overvoltage or undervoltage condition is detected, bit D2 of the Fault Status register is set and the ADC halts conversion updates until the fault is no longer detected, at which point conversions resume.

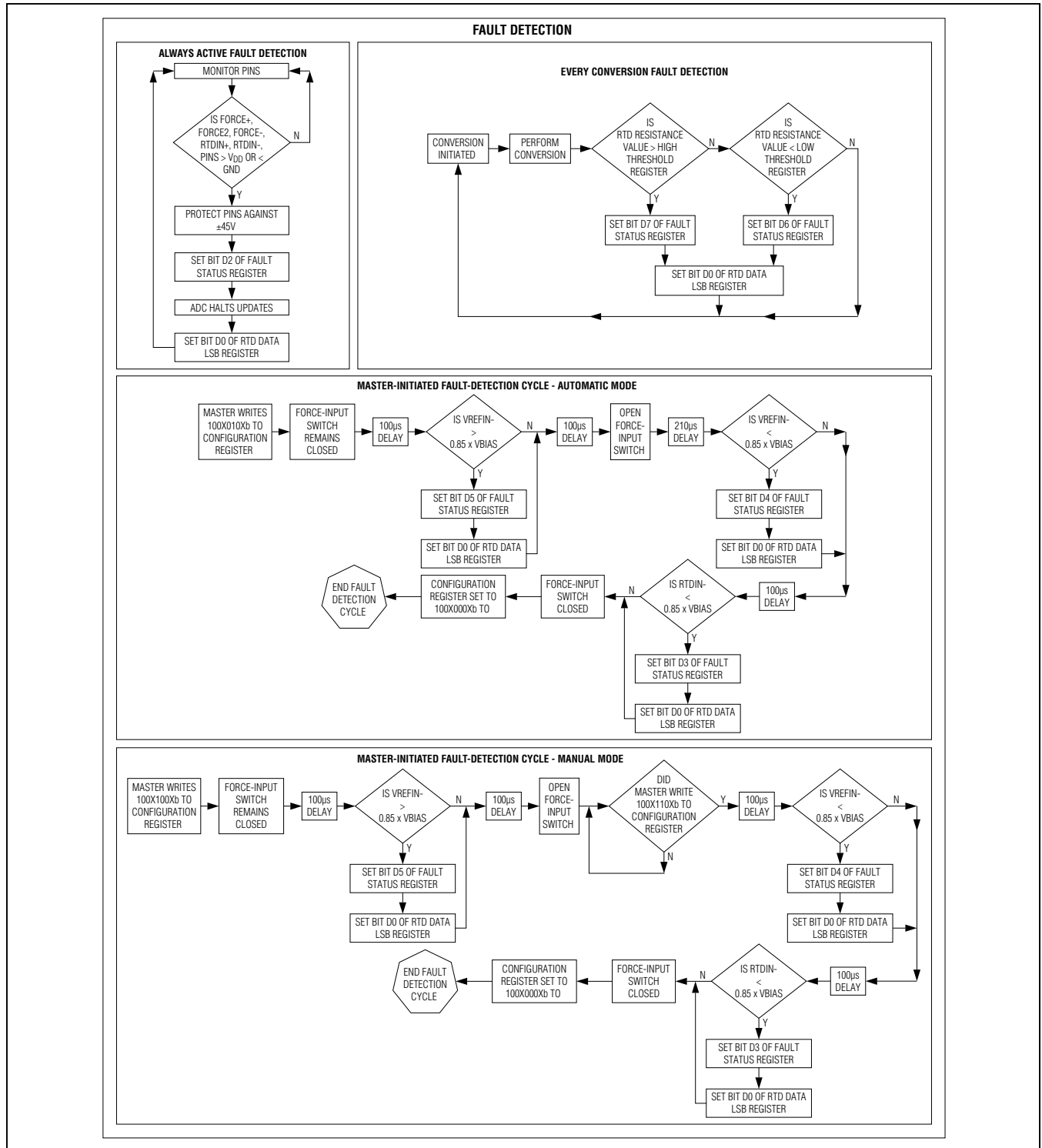


Figure 4. Fault Detection Flowcharts

Internal Registers

Communication is through eight 8-bit registers that contain conversion, status, and configuration data. All programming is done by selecting the appropriate address of the desired register location. [Table 1](#) illustrates the addresses for the registers.

The registers are accessed using the 0Xh addresses for reads and the 8Xh addresses for writes. Data is read from or written to the registers MSB first.

Configuration Register (00h)

The configuration register selects the conversion mode (automatic or triggered by the 1-shot command), enables and disables BIAS pin output voltage V_{BIAS} , initiates 1-shot conversions, selects the RTD connection (either 3-wire or 2-wire/4-wire), initiates a full fault detection cycle, clears the Fault Status register, and selects the filter notch frequencies. The effects of the configuration bits are described below.

BIAS (D7)

When no conversions are being performed, V_{BIAS} may be disabled to reduce power dissipation. Write 1 to this bit to enable V_{BIAS} before beginning a single (1-Shot) conversion. When automatic (continuous) conversion mode is selected, V_{BIAS} remains on continuously.

Conversion Mode (D6)

Write 1 to this bit to select automatic conversion mode, in which conversions occur continuously at a 50/60Hz rate. Write 0 to this bit to exit automatic conversion mode and enter the “Normally Off” mode. 1-shot conversions may be initiated from this mode.

1-Shot (D5)

When the conversion mode is set to “Normally Off”, write 1 to this bit to start a conversion. This causes a single resistance conversion to take place. The conversion is triggered when \overline{CS} goes high after writing a 1 to this bit. Note that if a multibyte write is performed, the conversion is triggered when \overline{CS} goes high at the end of the transaction. If V_{BIAS} is on (as selected by the Configuration Register), the RTD voltage is sampled when \overline{CS} goes high and the conversion begins. Note that if V_{BIAS} is off (to reduce supply current between conversions), any filter capacitors at the RTDIN inputs need to charge before an accurate conversion can be performed. Therefore, enable V_{BIAS} and wait at least 10.5 time constants of the input RC network plus an additional 1ms before initiating the conversion. Note that a single conversion requires approximately 52ms in 60Hz filter mode or 62.5ms in 50Hz filter mode to complete. 1-Shot is a self-clearing bit.

Table 1. Register Addresses and POR State

| REGISTER NAME | READ ADDRESS (HEX) | WRITE ADDRESS (HEX) | POR STATE | READ/WRITE |
|--------------------------|--------------------|---------------------|-----------|------------|
| Configuration | 00h | 80h | 00h | R/W |
| RTD MSBs | 01h | — | 00h | R |
| RTD LSBs | 02h | — | 00h | R |
| High Fault Threshold MSB | 03h | 83h | FFh | R/W |
| High Fault Threshold LSB | 04h | 84h | FFh | R/W |
| Low Fault Threshold MSB | 05h | 85h | 00h | R/W |
| Low Fault Threshold LSB | 06h | 86h | 00h | R/W |
| Fault Status | 07h | — | 00h | R |

Table 2. Configuration Register Definition

| D7 | D6 | D5 | D4 | D3 | D2 | D1 | D0 |
|---------------------------------|---|-----------------------------------|--|---|----|--|---|
| V_{BIAS} 1 = ON 0 = OFF | Conversion mode 1 = Auto 0 = Normally off | 1-shot 1 = 1-shot (auto-clear) | 3-wire 1 = 3-wire RTD 0 = 2-wire or 4-wire | Fault Detection Cycle Control (see Table 3) | | Fault Status Clear 1 = Clear (auto-clear) | 50/60Hz filter select 1 = 50Hz 0 = 60Hz |

3-Wire (D4)

Write 1 to this bit when using a 3-wire RTD connection. In this mode the voltage between FORCE+ and RTDIN+ is subtracted from (RTDIN+ - RTDIN-) to compensate for the IR errors caused by using a single wire for the FORCE- and RTDIN- connections. When using 2-wire or 4-wire connections, write 0 to this bit.

Fault Detection Cycle (D3:D2)

The master initiated fault detection cycle has two modes of operation, manual and automatic mode timing. If the external RTD interface circuitry includes an input filter with a time constant greater than 100 μ s, the fault detection cycle timing should be controlled in the manual mode operation. The fault detection cycle checks for three faults by making the following voltage comparisons and setting the associated bits in the Fault Status Register:

- 1) Is the voltage at REFIN- greater than 85% \times V_{BIAS} ? (Fault Status Register bit D5)
- 2) Is the voltage at REFIN- less than 85% \times V_{BIAS} when FORCE- input switch is open? (Fault Status Register bit D4)
- 3) Is the voltage at RTDIN- less than 85% \times V_{BIAS} when FORCE- input switch is open? (Fault Status Register bit D3)

Note: All voltages are referenced to GND1.

The [Applications Information](#) provides tables for decoding possible causes of set fault status bits.

To enter the automatic fault detection cycle, write 100X010Xb to the Configuration register. The ADC is now in “Normally Off” mode. The automatic fault detection cycle inserts 100 μ s delays before checking for faults, thereby allowing the external input filter to settle.

The Fault Detect Cycle bits (D[3:2]) self-clear to 00b upon completion.

To enter the manual fault detection cycle, first ensure that V_{BIAS} has been on for at least 5 time constants. Next, write 100X100Xb to the Configuration register. The ADC is now in “Normally Off” mode. The MAX31865 checks for faults while the FORCE- input switch is closed, and when the check completes, the FORCE-input switch opens. The Fault Detect Cycle bits (D[3:2]), remain set to 10b. Again, wait at least 5 time constants, and then write 100X110Xb to the Configuration register. The MAX31865 now checks for faults while the FORCE- inputs switch is open; when the check completes, the FORCE- input switch closes and the Fault Detect Cycle bits (D[3:2]) self-clear to 00b. Note that if 1 is written to D5 (1-Shot) and D2 or D3 in a single write, both commands are ignored. If 100X110Xb is set without a prior initiation of the first manual step (setting 100X100Xb), the automatic fault detection mode is run instead.

Fault Status Clear (D1)

Write a 1 to this bit while writing 0 to bits D5, D3, and D2 to return all fault status bits (D[7:2]) in the Fault Status Register to 0. Note that bit D2 in the Fault Register, and subsequently bit D0 in the RTD LSB register may be set again immediately after resetting if an over/undervoltage fault persists. The fault status clear bit D1, self-clears to 0.

50/60Hz (D0)

This bit selects the notch frequencies for the noise rejection filter. Write 0 to this bit to reject 60Hz and its harmonics; write 1 to this bit to reject 50Hz and its harmonics. **Note:** Do not change the notch frequency while in auto conversion mode.

Table 3. Fault-Detection Cycle Control Bits

| D3 | D2 | CONFIGURATION REGISTER WRITE (BINARY) | WRITE ACTION | READ MEANING |
|----|----|---------------------------------------|--|--|
| 0 | 0 | XXXX00XXb | No action | Fault detection finished |
| 0 | 1 | 100X010Xb | Fault detection with automatic delay | Automatic fault detection still running |
| 1 | 0 | 100X100Xb | Run fault detection with manual delay (cycle 1) | Manual cycle 1 still running; waiting for user to write 11 |
| 1 | 1 | 100X110Xb | Finish fault detection with manual delay (cycle 2) | Manual cycle 2 still running |

X = Don't care

RTD Resistance Registers (01h–02h)

Two 8-bit registers, RTD MSBs and RTD LSBs, contain the RTD resistance data. The data format is shown in [Table 4](#). The data format is simply the 15-bit ratio of RTD

resistance to reference resistance. D0 of the RTD LSBs register is a Fault bit that indicates whether any RTD faults have been detected.

Table 4. RTD Resistance Registers Definition

| REGISTER | RTD MSBS (01h) REGISTER | | | | | | | | RTD LSBS (02h) REGISTER | | | | | | | |
|---------------------|-------------------------|-----------------|-----------------|-----------------|-----------------|----------------|----------------|----------------|-------------------------|----------------|----------------|----------------|----------------|----------------|----------------|-------|
| Bit | D7 | D6 | D5 | D4 | D3 | D2 | D1 | D0 | D7 | D6 | D5 | D4 | D3 | D2 | D1 | D0 |
| RTD Resistance Data | MSB | — | — | — | — | — | — | — | — | — | — | — | — | — | LSB | Fault |
| Bit Weighting | 2 ¹⁴ | 2 ¹³ | 2 ¹² | 2 ¹¹ | 2 ¹⁰ | 2 ⁹ | 2 ⁸ | 2 ⁷ | 2 ⁶ | 2 ⁵ | 2 ⁴ | 2 ³ | 2 ² | 2 ¹ | 2 ⁰ | — |
| Decimal Value | 16384 | 8192 | 4096 | 2048 | 1024 | 512 | 256 | 128 | 64 | 32 | 16 | 8 | 4 | 2 | 1 | — |

Table 5. RTD Resistance-Data Relationship

| R _{RTD} /R _{REF} | BINARY | | HEX | | DECIMAL |
|------------------------------------|----------------|----------------|----------------|----------------|---------|
| | RTD MSBs (01h) | RTD LSBs (02h) | RTD MSBs (01h) | RTD LSBs (02h) | |
| 0.025 | 0000 0110 | 0110 0110b | 06h | 66h | 819 |
| 0.125 | 0010 0000 | 0000 0000b | 20h | 00h | 4096 |
| 0.25 | 0100 0000 | 0000 0000b | 40h | 00h | 8192 |
| 0.50 | 1000 0000 | 0000 0000b | 80h | 00h | 16,384 |
| 0.75 | 1100 0000 | 0000 0000b | C0h | 00h | 24,576 |
| 0.999 | 1111 1111 | 1111 1110b | FFh | FEh | 32,767 |

Note: D0 ("Fault") is assumed to be 0.

Fault Threshold Registers (03h–06h)

The High Fault Threshold and Low Fault Threshold registers select the trip thresholds for RTD fault detection. The results of RTD conversions are compared with the values in these registers to generate the “Fault” (D[7:6]) bits in the Fault Status register. The RTD Data Registers, High Fault Threshold Registers, and Low Fault Threshold Registers all have the same format.

The RTD High bit in the Fault Status Register is set if the RTD resistance register value is greater than or equal to the value in the High Fault Threshold register. The POR value of the High Fault Threshold register is FFFFh.

The RTD Low bit in the Fault Status Register is set if the RTD resistance value is less than or equal to the value in the Low Fault Threshold register. The POR value of the Low Fault Threshold register is 0000h.

Fault Status Register (07h)

The Fault Status register latches any detected fault bits; writing a 1 to the Fault Status Clear bit in the Configuration Register returns all fault status bits to 0.

Serial Interface

The MAX31865 supports SPI modes 1 and 3. Four pins are used for SPI-compatible communications: SDO (serial-data out), SDI (serial-data in), \overline{CS} (chip select), and SCLK (serial clock). SDI and SDO are the serial-data input and output pins for the devices, respectively. The \overline{CS} input initiates and terminates a data transfer. SCLK synchronizes data movement between the master (microcontroller) and the slave (MAX31865).

The serial clock (SCLK), which is generated by the microcontroller, is active only when \overline{CS} is low and during address and data transfer to any device on the

Table 6. Fault Threshold Registers Definition

| REGISTER | HIGH FAULT THRESHOLD MSB (03h) REGISTER | | | | | | | | HIGH FAULT THRESHOLD LSB (04h) REGISTER | | | | | | | |
|---------------------|---|-----------------|-----------------|-----------------|-----------------|----------------|----------------|----------------|---|----------------|----------------|----------------|----------------|----------------|----------------|----|
| | LOW FAULT THRESHOLD MSB (05h) REGISTER | | | | | | | | LOW FAULT THRESHOLD MSB (06h) REGISTER | | | | | | | |
| Bit | D7 | D6 | D5 | D4 | D3 | D2 | D1 | D0 | D7 | D6 | D5 | D4 | D3 | D2 | D1 | D0 |
| RTD Resistance Data | MSB | — | — | — | — | — | — | — | — | — | — | — | — | — | LSB | X |
| Bit Weighting | 2 ¹⁴ | 2 ¹³ | 2 ¹² | 2 ¹¹ | 2 ¹⁰ | 2 ⁹ | 2 ⁸ | 2 ⁷ | 2 ⁶ | 2 ⁵ | 2 ⁴ | 2 ³ | 2 ² | 2 ¹ | 2 ⁰ | — |
| Decimal Value | 16384 | 8192 | 4096 | 2048 | 1024 | 512 | 256 | 128 | 64 | 32 | 16 | 8 | 4 | 2 | 1 | — |

X = Don't care

Table 7. Fault Status Register Definition

| D7 | D6 | D5 | D4 | D3 | D2 | D1 | D0 |
|--------------------|-------------------|-----------------------------------|---|---|---------------------------------|----|----|
| RTD High Threshold | RTD Low Threshold | REFIN- > 0.85 x V _{BIAS} | REFIN- < 0.85 x V _{BIAS} (FORCE- open) | RTDIN- < 0.85 x V _{BIAS} (FORCE- open) | Overvoltage/ undervoltage fault | x | x |

X = Don't care

SPI bus. The inactive clock polarity is programmable in some microcontrollers. The MAX31865 automatically accommodates either clock polarity by sampling SCLK when \overline{CS} becomes active to determine the polarity of the inactive clock. Input data (SDI) is latched on the internal strobe edge and output data (SDO) is shifted out on the shift edge (see Table 8 and Figure 5). There is one clock for each bit transferred. Address and data bits are transferred in groups of eight, MSB first.

Address and Data Bytes

Address and data bytes are shifted MSB-first into the serial-data input (SDI) and out of the serial-data output (SDO). Any transfer requires the address of the byte to specify a write or a read, followed by one or more bytes of data. Data is transferred out of the SDO for a read

operation and into the SDI for a write operation. The address byte is always the first byte transferred after \overline{CS} is driven low. The MSB (A7) of this byte determines whether the following byte is written or read. If A7 is 0, one or more byte reads follow the address byte. If A7 is 1, one or more byte writes follow the address byte.

For a single-byte transfer, 1 byte is read or written and then \overline{CS} is driven high (see Figure 6 and Figure 7). For a multiple-byte transfer, multiple bytes can be read or written after the address has been written (see Figure 8). The address continues to increment through all memory locations as long as \overline{CS} remains low. If data continues to be clocked in or out, the address loops from 7Fh/FFh to 00h/80h. Invalid memory addresses report an FFh value. Attempting to write to a read-only register results in no change to that register’s contents.

Table 8. Function Table

| MODE | \overline{CS} | SCLK | SDI | SDO |
|---------------|-----------------|------------------------|----------------|-----------------------|
| Disable Reset | High | Input disabled | Input disabled | High impedance |
| Write | Low | CPOL = 1*, SCLK rising | Data bit latch | High impedance |
| | | CPOL = 0, SCLK falling | | |
| Read | Low | CPOL = 1, SCLK falling | X | Next data bit shift** |
| | | CPOL = 0, SCLK rising | | |

Note: CPHA bit polarity must be set to 1.

*CPOL is the clock polarity bit that is set in the control register of the microcontroller.

**SDO remains at high impedance until 8 bits of data are ready to be shifted out during a read.

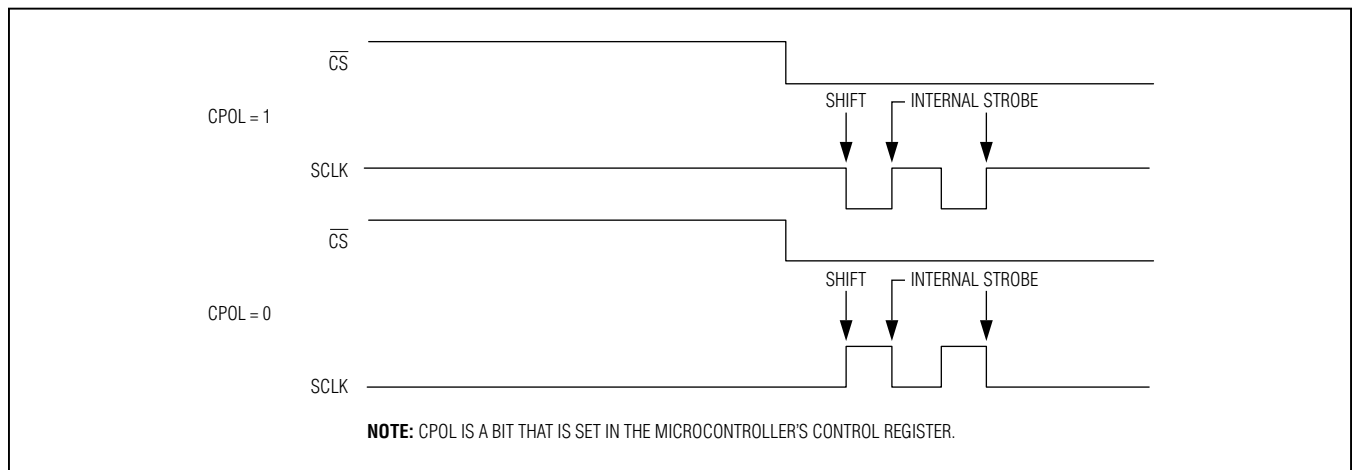


Figure 5. Serial Clock as a Function of Microcontroller Clock Polarity (CPOL)

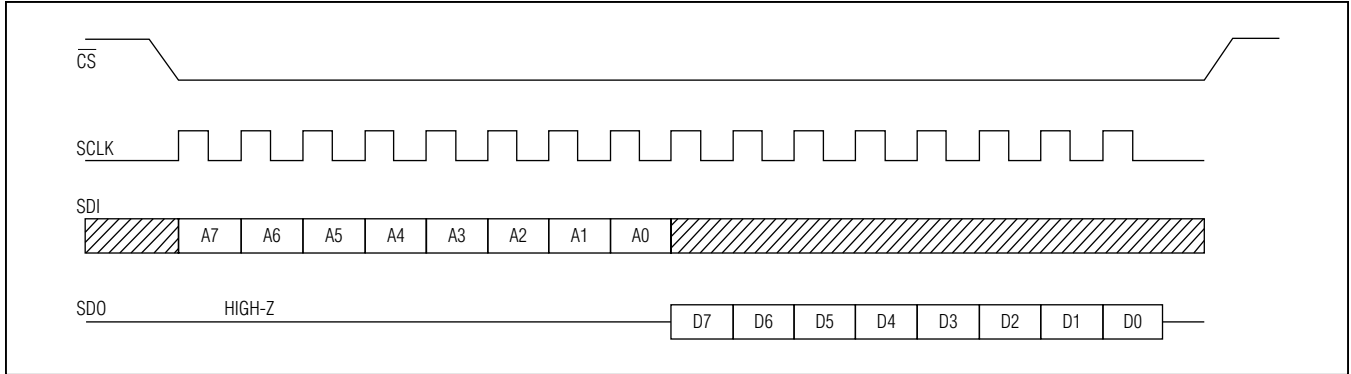


Figure 6. SPI Single-Byte Read

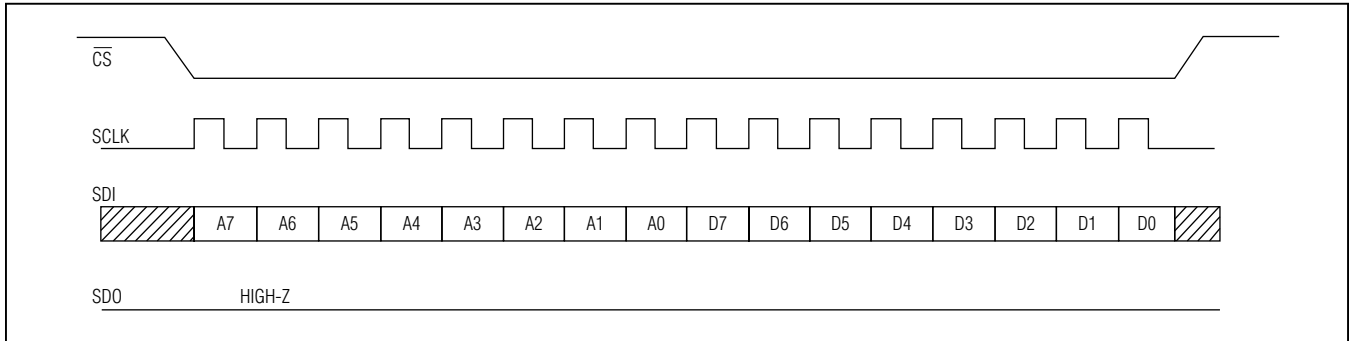


Figure 7. SPI Single-Byte Write

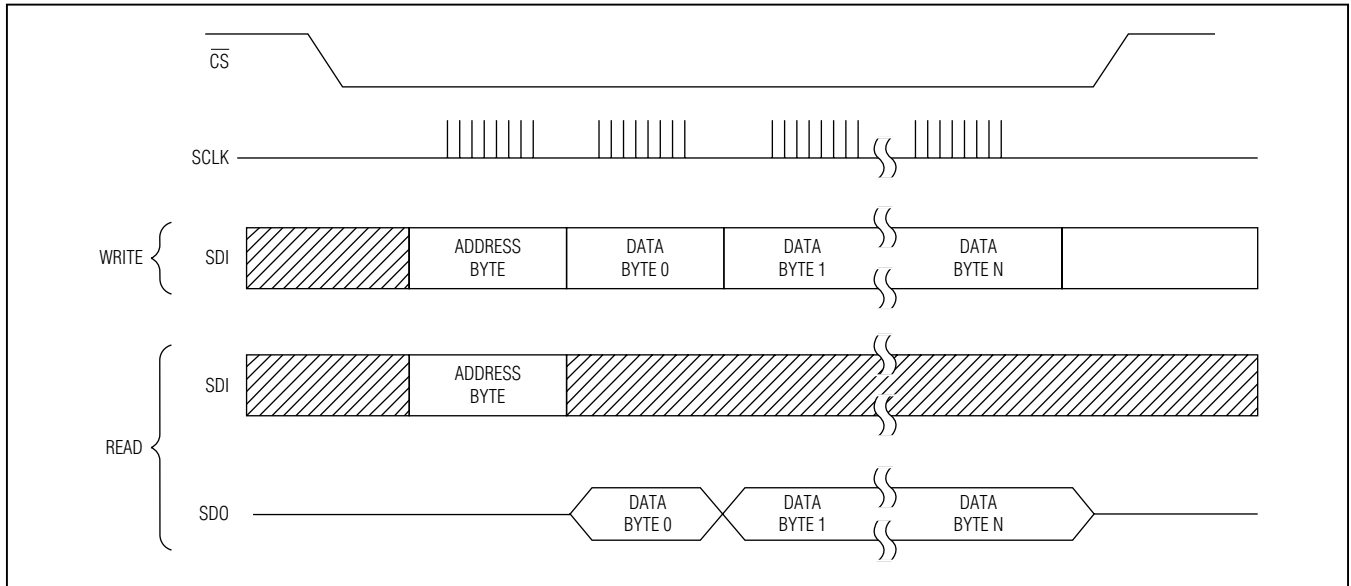


Figure 8. SPI Multibyte Transfer

DRDY

The $\overline{\text{DRDY}}$ output goes low when a new conversion result is available in the RTD Data Registers. When a read-operation of the RTD Data Registers completes, $\overline{\text{DRDY}}$ returns high.

Applications Information

For operation in noisy environments, a filter capacitor may be placed across the RTDIN+ and RTDIN- inputs. After an overvoltage or undervoltage fault, after a fault detection cycle, or after enabling V_{BIAS} , always allow for the settling time of the input filter before restarting the ADC. A delay time of at least five time constants plus an

additional 1ms (for the protection devices to stabilize) is recommended to achieve specified accuracy.

Converting RTD Data Register Values to Temperature

The ratiometric ADC conversion results found in the RTD Data Registers can be converted to temperature with a few calculations.

First, the Resistance of the RTD needs to be determined with the following equation:

$$R_{\text{RTD}} = (\text{ADC Code} \times R_{\text{REF}})/2^{15}$$

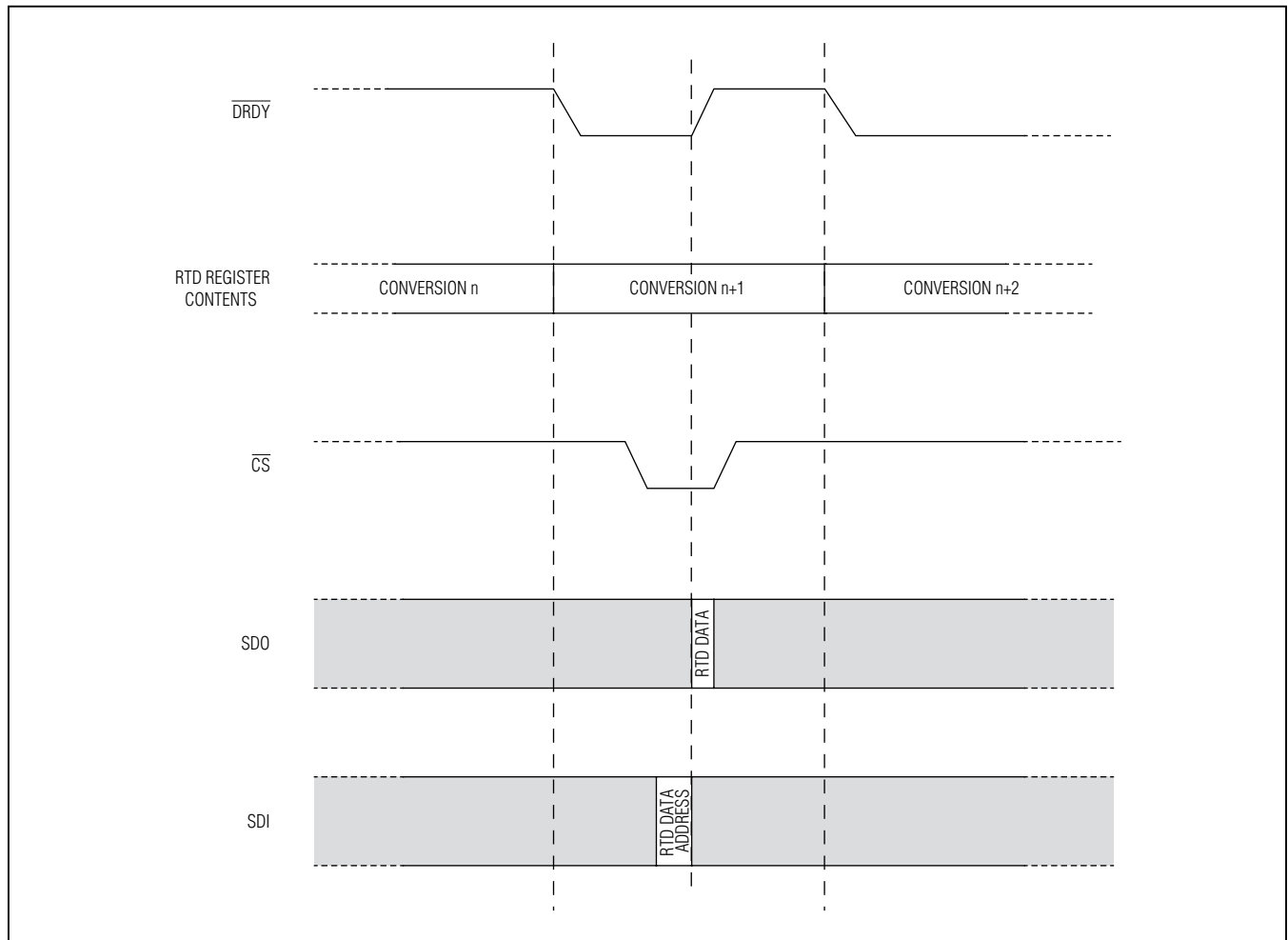


Figure 9. $\overline{\text{DRDY}}$ Operation

ADC Code = 15-bit ADC results from RTD Data registers (01h–02h)

R_{REF} = Resistance of the reference resistor

Once the resistance of the RTD is known, the well-defined resistive properties of the selected RTD can be

used to determine temperature by either calculations or lookup tables.

In the typical case of a PT100 RTD with a 400 Ω high precision low drift reference resistor, [Table 9](#) shows examples of temperature and resistance values with the corresponding ADC code results.

Table 9. Temperature Example for PT100 with 400 Ω R_{REF}

| TEMPERATURE (°C) | RTD RESISTANCE (Ω) | RTD DATA REG (01h–02h) (hex) | ADC CODE (dec) | ADC CODE/32-256 (°C) |
|------------------|-----------------------------|------------------------------|----------------|----------------------|
| -200 | 18.52 | 0BDAh | 1517 | -208.59 |
| -175 | 29.22 | 12B4h | 2394 | -181.19 |
| -150 | 39.72 | 196Ch | 3254 | -154.31 |
| -125 | 50.06 | 200Ah | 4101 | -127.84 |
| -100 | 60.26 | 2690h | 4936 | -101.75 |
| -75 | 70.33 | 2D04h | 5762 | -75.94 |
| -50 | 80.31 | 3366h | 6579 | -50.41 |
| -40 | 84.27 | 35EEh | 6903 | -40.28 |
| -30 | 88.22 | 3876h | 7227 | -30.16 |
| -20 | 92.16 | 3AFCh | 7550 | -20.06 |
| -10 | 96.09 | 3D7Eh | 7871 | -10.03 |
| 0 | 100.00 | 4000h | 8192 | 0.00 |
| 10 | 103.90 | 4280h | 8512 | 10.00 |
| 20 | 107.79 | 44FCh | 8830 | 19.94 |
| 30 | 111.67 | 4778h | 9148 | 29.88 |
| 40 | 115.54 | 49F2h | 9465 | 39.78 |
| 50 | 119.40 | 4C6Ah | 9781 | 49.66 |
| 60 | 123.24 | 4EE0h | 10096 | 59.50 |
| 70 | 127.08 | 5154h | 10410 | 69.31 |
| 80 | 130.90 | 53C6h | 10723 | 79.09 |
| 90 | 134.71 | 5636h | 11035 | 88.84 |
| 100 | 138.51 | 58A4h | 11346 | 98.56 |
| 110 | 142.29 | 5B12h | 11657 | 108.28 |
| 120 | 146.07 | 5D7Ch | 11966 | 117.94 |
| 130 | 149.83 | 5FE4h | 12274 | 127.56 |
| 140 | 153.58 | 624Ch | 12582 | 137.19 |
| 150 | 157.33 | 64B0h | 12888 | 146.75 |
| 160 | 161.05 | 6714h | 13194 | 156.31 |
| 170 | 164.77 | 6974h | 13498 | 165.81 |
| 180 | 168.48 | 6BD4h | 13802 | 175.31 |
| 190 | 172.17 | 6E30h | 14104 | 184.75 |
| 200 | 175.86 | 708Ch | 14406 | 194.19 |
| 225 | 185.01 | 7668h | 15156 | 217.63 |
| 250 | 194.10 | 7C3Ah | 15901 | 240.91 |

Table 9. Temperature Example for PT100 with 400Ω R_{REF} (continued)

| TEMPERATURE (°C) | RTD RESISTANCE (Ω) | RTD DATA REG (01h–02h) (hex) | ADC CODE (dec) | ADC CODE/32-256 (°C) |
|------------------|--------------------|------------------------------|----------------|----------------------|
| 275 | 203.11 | 81FEh | 16639 | 263.97 |
| 300 | 212.05 | 87B6h | 17371 | 286.84 |
| 325 | 220.92 | 8D64h | 18098 | 309.56 |
| 350 | 229.72 | 9304h | 18818 | 332.06 |
| 375 | 238.44 | 989Ah | 19533 | 354.41 |
| 400 | 247.09 | 9E24h | 20242 | 376.56 |
| 425 | 255.67 | A3A2h | 20945 | 398.53 |
| 450 | 264.18 | A914h | 21642 | 420.31 |
| 475 | 272.61 | AE7Ah | 22333 | 441.91 |
| 500 | 280.98 | B3D4h | 23018 | 463.31 |
| 525 | 289.27 | B922h | 23697 | 484.53 |
| 550 | 297.49 | BE64h | 24370 | 505.56 |

Detecting RTDIN+ Cable Faults

In the 3- and 4-wire RTD connection configuration, a broken or disconnected RTDIN+ cable results in an unbiased ADC+ input into the MAX31865. This causes unpredictable ADC conversion results, which can be influenced by PCB layout, external circuit noise, and ambient temperature. This cable fault condition can go undetected depending upon the values set in the fault threshold registers. If this condition is of interest, add a 10MΩ resistor from the RTDIN+ pin to the BIAS pin. Doing so results in a full-scale RTD resistance measurement if the RTDIN+ lead is broken or disconnected.

Decoding RTD and Cable Fault Conditions

An open RTD element or a short across the RTD element are detected on every conversion based on the resistance data. An open RTD element results in a full-scale reading. Set the threshold for open RTD element detection using the High Fault Threshold registers. If the conversion result is greater than or equal to the threshold value, the RTD High bit in the Fault Status register is

set at the end of the conversion. An open RTD element can also be detected on demand by testing for $V_{REFIN} > 0.85 \times V_{BIAS}$. A shorted RTD element produces a conversion result near zero. Set the threshold for shorted RTD detection in the Low Fault Threshold registers.

[Table 10](#), [Table 11](#), and [Table 12](#) summarize how RTD and cable faults are detected for 2-, 3-, and 4-wire setups and provide a description for the most common cause.

Fault Status bits are latched until the Fault Clear bit in the Configuration register is set. This allows intermittent faults to be captured.

Power-Supply Decoupling

To achieve the best results when using the device, decouple the V_{DD} and DVDD power supplies with a 0.1μF capacitor. Use a high-quality, ceramic, surface-mount capacitor if possible. Surface-mount components minimize lead inductance, which improves performance, and ceramic capacitors tend to have adequate high-frequency response for decoupling applications.

Table 10. Decoding RTD Faults for 2-Wire Setups When Fault Bit in RTD Data LSB Register = 1

| FAULT STATUS BIT SET | DESCRIPTION OF POSSIBLE CAUSE | CONDITION DETECTED | DESCRIPTION OF RESULTING DATA |
|----------------------|---|---|-------------------------------|
| D7 | Open RTD element | Measured resistance greater than High Fault Threshold value | Full scale |
| D6 | Shorted RTD element RTDIN+ shorted low | Measured resistance less than Low Fault Threshold value | Near zero |
| D5 | Open RTD | $V_{REFIN-} > 0.85 \times V_{BIAS}$ | Full scale |
| | RTDIN+ shorted high | | Indeterminate |
| | RTDIN- shorted high | | Indeterminate |
| D4 | RTDIN- shorted low | $V_{REFIN-} < 0.85 \times V_{BIAS}$ (FORCE- open) | Appear to be valid |
| D3 | RTDIN- shorted low | $V_{RTDIN-} < 0.85 \times V_{BIAS}$ (FORCE- open) | Appear to be valid |
| | RTDIN+ shorted low | | Near zero |
| D2 | Overvoltage or undervoltage fault | Any protected input voltage $>V_{DD}$ or $<GND1$ | Indeterminate |

Table 11. Decoding RTD Faults for 3-Wire Setups When Fault Bit in RTD Data LSB Register = 1

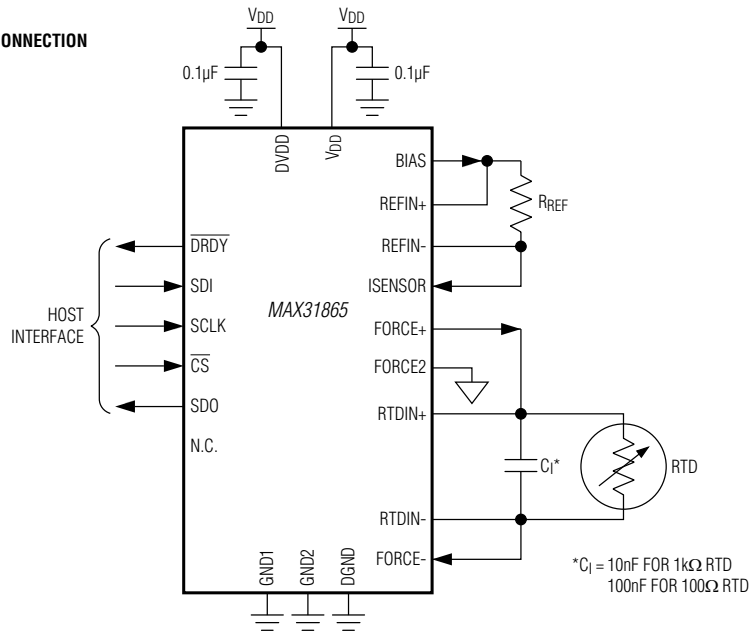
| FAULT STATUS BIT SET | DESCRIPTION OF POSSIBLE CAUSE | CONDITION DETECTED | DESCRIPTION OF RESULTING DATA |
|----------------------|--|---|-------------------------------|
| D7 | Open RTD element | Measured resistance greater than High Fault Threshold value | Full scale |
| | RTDIN+ shorted high and not connected to RTD | | |
| | Force+ shorted high and connected to RTD | | |
| D6 | RTDIN+ shorted to RTDIN- | Measured resistance less than Low Fault Threshold value | Near zero |
| | RTDIN+ shorted low and not connected to RTD | | |
| | Force+ shorted low | | |
| D5 | Open RTD element | $V_{REFIN-} > 0.85 \times V_{BIAS}$ | Full scale |
| | Force+ shorted high and connected to RTD | | |
| | Force+ unconnected | | Indeterminate |
| | Force+ shorted high and not connected to RTD | | |
| | RTDIN- shorted high | | |
| D4 | RTDIN- shorted low | $V_{REFIN-} < 0.85 \times V_{BIAS}$ (FORCE- open) | Appear to be valid |
| D3 | Force+ shorted low | $V_{RTDIN-} < 0.85 \times V_{BIAS}$ (FORCE- open) | Near zero |
| | RTDIN+ shorted low and connected to RTD | | |
| | RTDIN- shorted low | | Appear to be valid |
| D2 | Overvoltage or undervoltage fault | Any protected input voltage $>V_{DD}$ or $<GND1$ | Indeterminate |

Table 12. Decoding RTD Faults for 4-Wire Setups When Fault Bit in RTD Data LSB Register = 1

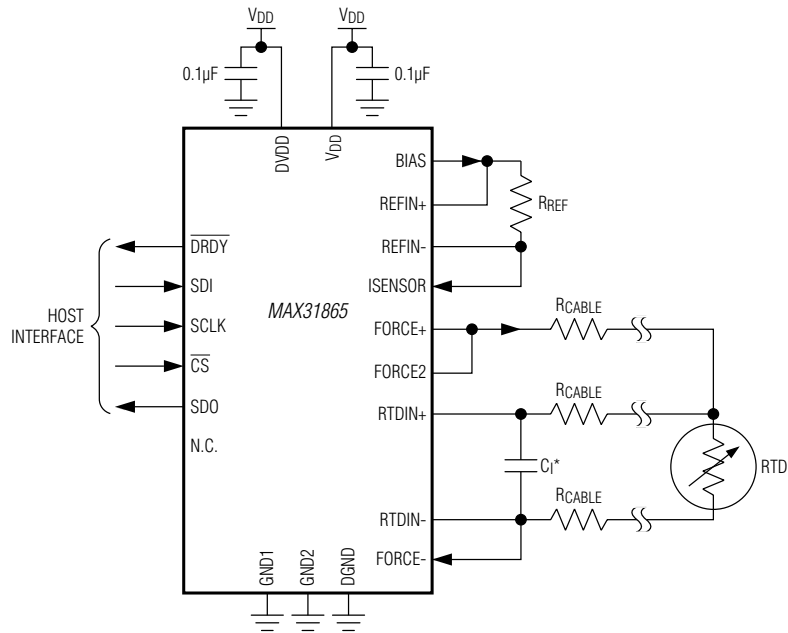
| FAULT STATUS BIT SET | DESCRIPTION OF POSSIBLE CAUSE | CONDITION DETECTED | DESCRIPTION OF RESULTING DATA |
|----------------------|--|---|-------------------------------|
| D7 | Open RTD element | Measured resistance greater than High Fault Threshold value | Full scale |
| | RTDIN+ shorted high and not connected to RTD | | |
| | Force+ shorted high and connected to RTD | | |
| D6 | RTDIN+ shorted to RTDIN- | Measured resistance less than Low Fault Threshold value | Near zero |
| | RTDIN+ shorted low and not connected to RTD | | |
| | RTDIN- shorted high and not connected to RTD | | |
| | Force+ shorted low | | |
| D5 | Open RTD element | $V_{REFIN^-} > 0.85 \times V_{BIAS}$ | Full scale |
| | Force+ shorted high and connected to RTD | | |
| | Force- unconnected | | |
| | Force+ unconnected | | |
| | Force+ shorted high and not connected to RTD | | Indeterminate |
| | Force- shorted high and not connected to RTD | | |
| | Force- shorted high and connected to RTD | | |
| | Force- shorted low and not connected to RTD | | |
| D4 | Force- shorted low and connected to RTD | $V_{REFIN^-} < 0.85 \times V_{BIAS}$ (FORCE- open) | Indeterminate |
| | RTDIN- shorted low and connected to RTD | | Appear to be valid |
| D3 | Force+ shorted low | $V_{RTDIN^-} < 0.85 \times V_{BIAS}$ (FORCE- open) | Near zero |
| | RTDIN+ shorted low and connected to RTD | | |
| | RTDIN- shorted low and connected to RTD | | Appear to be valid |
| | RTDIN- shorted low and not connected to RTD | | |
| | Force- shorted low | | |
| D2 | Overvoltage or undervoltage fault | Any protected input voltage $>V_{DD}$ or $<GND1$ | Indeterminate |

Typical Application Circuits (continued)

2-WIRE SENSOR CONNECTION



3-WIRE SENSOR CONNECTION



Ordering Information

| PART | TEMP RANGE | PIN-PACKAGE |
|---------------|-----------------|-------------|
| MAX31865AAP+ | -40°C to +125°C | 20 SSOP |
| MAX31865AAP+T | -40°C to +125°C | 20 SSOP |
| MAX31865ATP+ | -40°C to +125°C | 20 TQFN-EP* |
| MAX31865ATP+T | -40°C to +125°C | 20 TQFN-EP* |

+Denotes a lead(Pb)-free/RoHS-compliant package.

T = Tape and reel.

*EP = Exposed pad.

Package Information

For the latest package outline information and land patterns (footprints), go to www.maximintegrated.com/packages. Note that a "+", "#", or "-" in the package code indicates RoHS status only. Package drawings may show a different suffix character, but the drawing pertains to the package regardless of RoHS status.

| PACKAGE TYPE | PACKAGE CODE | OUTLINE NO. | LAND PATTERN NO. |
|--------------|--------------|-------------------------|-------------------------|
| 20 TQFN-EP | T2055+5 | 21-0140 | 90-0010 |
| 20 SSOP | A20+1 | 21-0056 | 90-0094 |

Revision History

| REVISION NUMBER | REVISION DATE | DESCRIPTION | PAGES CHANGED |
|-----------------|---------------|--|---------------------|
| 0 | 10/12 | Initial release | — |
| 1 | 1/15 | Revised <i>Benefits and Features</i> section | 1 |
| 2 | 5/15 | Added the SSOP package to the data sheet and updated input voltage protection as $\pm 45V$. | 1, 2, 7, 10, 11, 24 |

For pricing, delivery, and ordering information, please contact Maxim Direct at 1-888-629-4642, or visit Maxim Integrated's website at www.maximintegrated.com.

Maxim Integrated cannot assume responsibility for use of any circuitry other than circuitry entirely embodied in a Maxim Integrated product. No circuit patent licenses are implied. Maxim Integrated reserves the right to change the circuitry and specifications without notice at any time. The parametric values (min and max limits) shown in the Electrical Characteristics table are guaranteed. Other parametric values quoted in this data sheet are provided for guidance.

Компания «Life Electronics» занимается поставками электронных компонентов импортного и отечественного производства от производителей и со складов крупных дистрибьюторов Европы, Америки и Азии.

С конца 2013 года компания активно расширяет линейку поставок компонентов по направлению коаксиальный кабель, кварцевые генераторы и конденсаторы (керамические, пленочные, электролитические), за счёт заключения дистрибьюторских договоров

Мы предлагаем:

- Конкурентоспособные цены и скидки постоянным клиентам.
- Специальные условия для постоянных клиентов.
- Подбор аналогов.
- Поставку компонентов в любых объемах, удовлетворяющих вашим потребностям.
- Приемлемые сроки поставки, возможна ускоренная поставка.
- Доставку товара в любую точку России и стран СНГ.
- Комплексную поставку.
- Работу по проектам и поставку образцов.
- Формирование склада под заказчика.
- Сертификаты соответствия на поставляемую продукцию (по желанию клиента).
- Тестирование поставляемой продукции.
- Поставку компонентов, требующих военную и космическую приемку.
- Входной контроль качества.
- Наличие сертификата ISO.

В составе нашей компании организован Конструкторский отдел, призванный помогать разработчикам, и инженерам.

Конструкторский отдел помогает осуществить:

- Регистрацию проекта у производителя компонентов.
- Техническую поддержку проекта.
- Защиту от снятия компонента с производства.
- Оценку стоимости проекта по компонентам.
- Изготовление тестовой платы монтаж и пусконаладочные работы.



Тел: +7 (812) 336 43 04 (многоканальный)

Email: org@lifeelectronics.ru