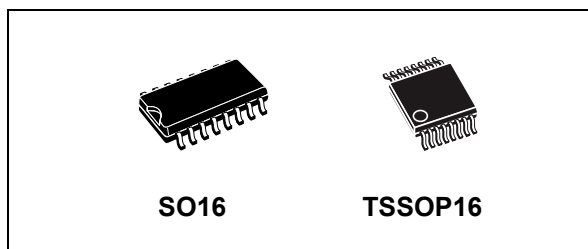


## 8-bit shift register with output latches (3-state)

Datasheet - production data



### Features

- High speed:  $f_{MAX} = 59$  MHz (typ.) at  $V_{CC} = 6$  V
- Low power dissipation:  $I_{CC} = 4$   $\mu$ A (max.) at  $T_A = 25$  °C
- High noise immunity:  
 $V_{NIH} = V_{NIL} = 28\%$   $V_{CC}$  (min.)
- Symmetrical output impedance:
  - $|I_{OH}| = I_{OL} = 6$  mA (min.) for QA to QH
  - $|I_{OH}| = I_{OL} = 4$  mA (min.) for QH'
- Balanced propagation delays:  $t_{PLH} \cong t_{PHL}$
- Wide operating voltage range:  
 $V_{CC}$  (opr.) = 2 V to 6 V
- Pin and function compatible with 74 series 595
- ESD performance
  - HBM: 2 kV
  - MM: 200 V
  - CDM: 1 kV

### Applications

- Automotive
- Industrial
- Computer
- Consumer

### Description

The M74HC595 device is a high speed CMOS 8-bit shift register with output latches (3-state) fabricated with silicon gate C<sup>2</sup>MOS technology.

This device contains an 8-bit serial in, parallel out shift register that feeds an 8-bit D-type storage register. The storage register has 8 3-state outputs. Separate clocks are provided for both the shift register and the storage register.

The shift register has direct overriding clear, serial input, and serial output (standard) pins for cascading. Both the shift register and storage register use positive edge triggered clocks. If both clocks are connected together, the shift register state will always be one clock pulse ahead of the storage register.

All inputs are equipped with protection circuits against static discharge and transient excess voltage.

Table 1. Device summary

| Order code                     | Temperature range | Package                    | Packing       | Marking  |
|--------------------------------|-------------------|----------------------------|---------------|----------|
| M74HC595RM13TR                 | -55/+125 °C       | SO16                       | Tape and reel | 74HC595  |
| M74HC595YRM13TR <sup>(1)</sup> | -40/+125 °C       | SO16 (automotive grade)    |               | 74HC595Y |
| M74HC595TTR                    | -55/+125 °C       | TSSOP16                    |               | HC595    |
| M74HC595YTTR <sup>(1)</sup>    | -40/+125 °C       | TSSOP16 (automotive grade) |               | HC595Y   |

1. Qualification and characterization according to AEC Q100 and Q003 or equivalent, advanced screening according to AEC Q001 and Q002 or equivalent.

# Contents

|          |   |           |
|----------|---|-----------|
| <b>1</b> | <b>Pin information</b> .....            | <b>3</b>  |
| <b>2</b> | <b>Functional description</b> .....     | <b>4</b>  |
| <b>3</b> | <b>Electrical characteristics</b> ..... | <b>7</b>  |
| <b>4</b> | <b>Package information</b> .....        | <b>16</b> |
|          | 4.1 SO16 package information .....      | 17        |
|          | 4.2 TSSOP16 package information .....   | 19        |
| <b>5</b> | <b>Ordering information</b> .....       | <b>21</b> |
| <b>6</b> | <b>Revision history</b> .....           | <b>21</b> |

# 1 Pin information

Figure 1. Pin connection and IEC logic symbols

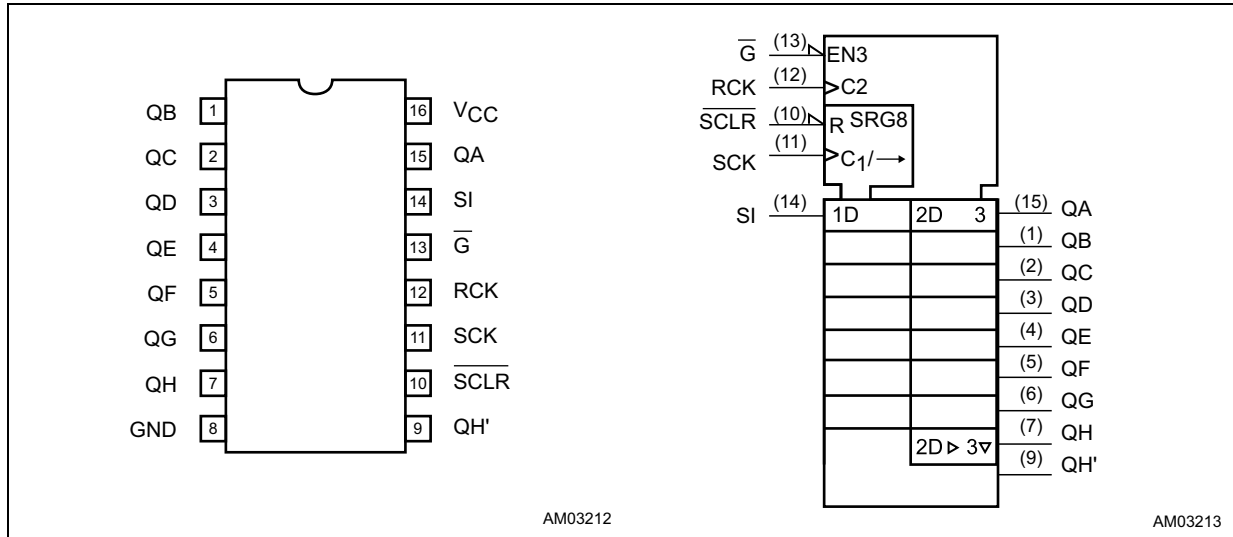
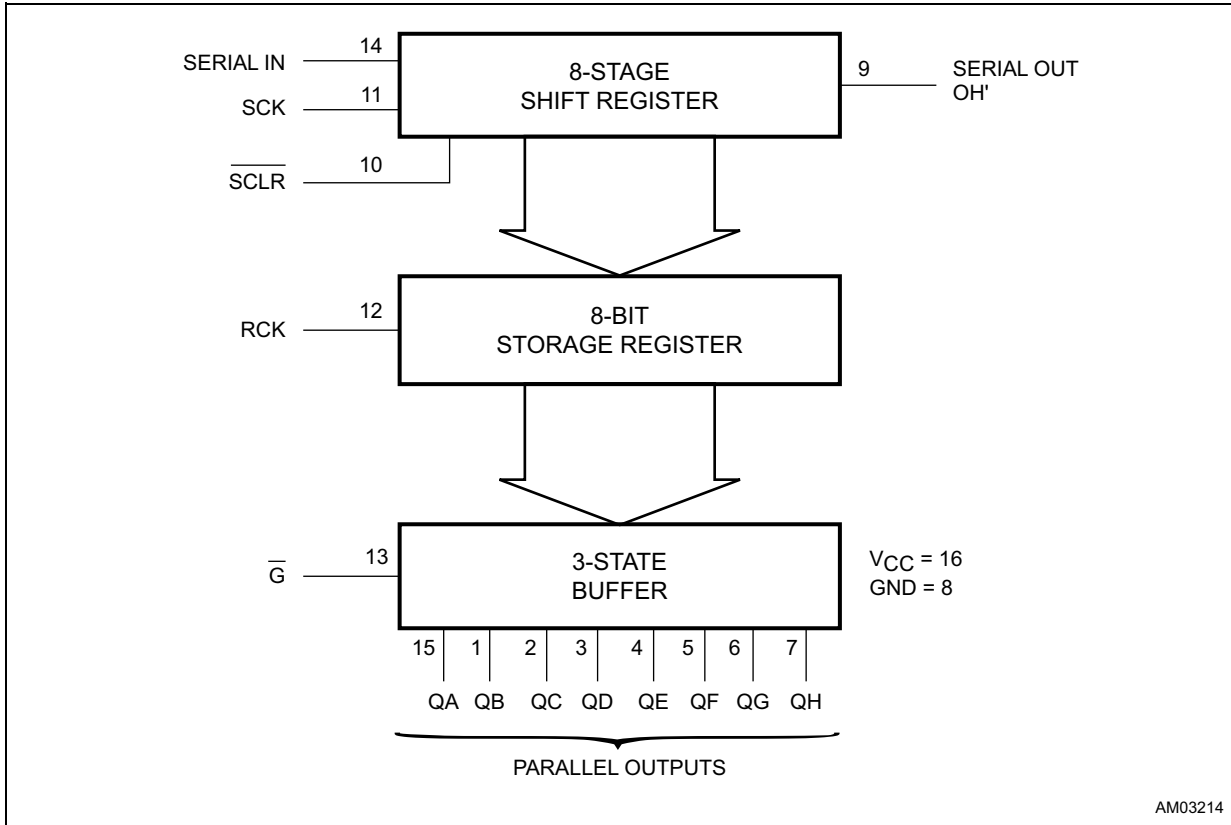


Table 2. Pin description

| Pin no                  | Symbol                   | Name and function            |
|-------------------------|--------------------------|------------------------------|
| 1, 2, 3, 4, 5, 6, 7, 15 | QA to QH                 | Data outputs                 |
| 9                       | QH'                      | Serial data outputs          |
| 10                      | $\overline{\text{SCLR}}$ | Shift register clear input   |
| 11                      | SCK                      | Shift register clock input   |
| 13                      | $\overline{\text{G}}$    | Output enable input          |
| 14                      | SI                       | Serial data input            |
| 12                      | RCK                      | Storage register clock input |
| 8                       | GND                      | Ground (0 V)                 |
| 16                      | V <sub>CC</sub>          | Positive supply voltage      |

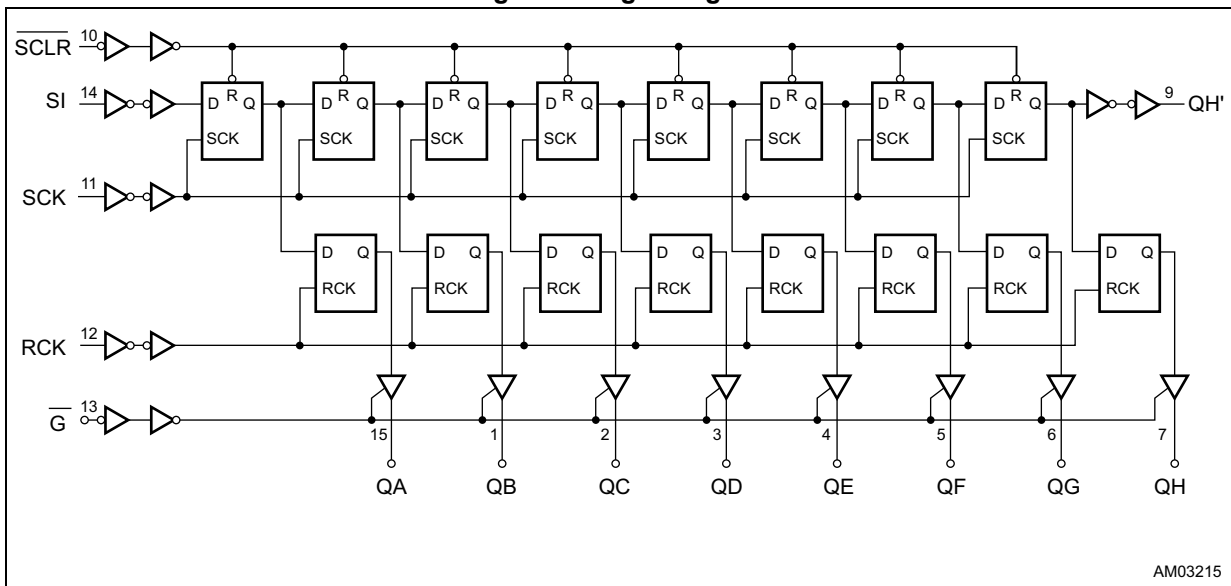
## 2 Functional description

Figure 2. Block diagram



1. This block diagram has not be used to estimate propagation delays.

Figure 3. Logic diagram



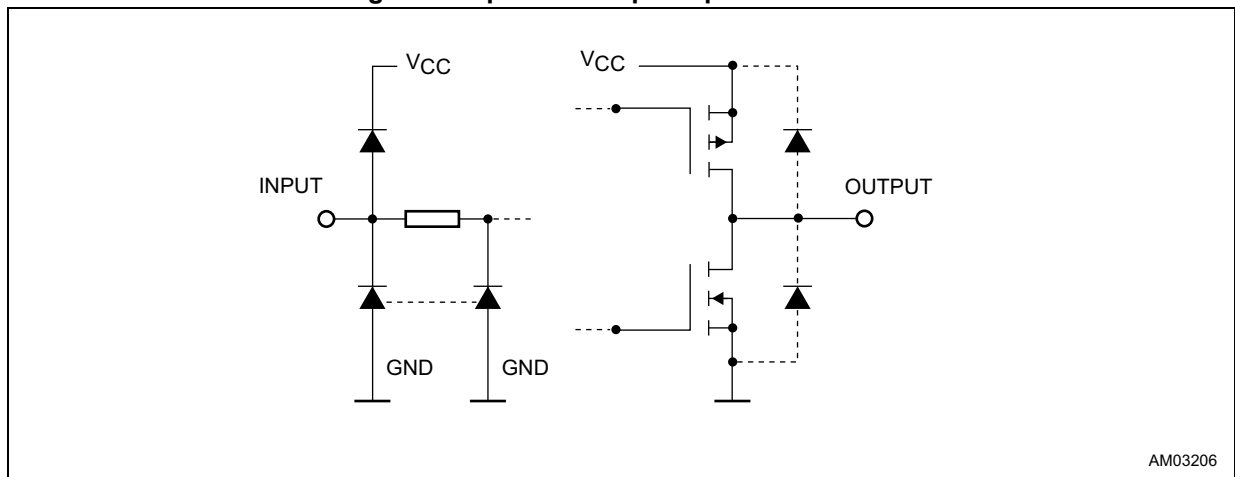
1. This logic diagram has not be used to estimate propagation delays.

Table 3. Truth table<sup>(1)</sup>

| Inputs |     |                          |     |                       | Outputs   |
|--------|-----|--------------------------|-----|-----------------------|---|
| SI     | SCK | $\overline{\text{SCLR}}$ | RCK | $\overline{\text{G}}$ |   |
| X      | X   | X                        | X   | H                     | QA through QH outputs disable   |
| X      | X   | X                        | X   | L                     | QA through QH outputs enable  |
| X      | X   | L                        | X   | X                     | Shift register is cleared   |
| L      |     | H                        | X   | X                     | First stage of S.R. becomes "L" other stages store the data of previous stage, respectively |
| H      |     | H                        | X   | X                     | First stage of S.R. becomes "H" other stages store the data of previous stage, respectively |
| X      |     | H                        | X   | X                     | State of S.R. is not changed  |
| X      | X   | X                        |     | X                     | S.R. data is stored into storage register   |
| X      | X   | X                        |     | X                     | Storage register state is not changed   |

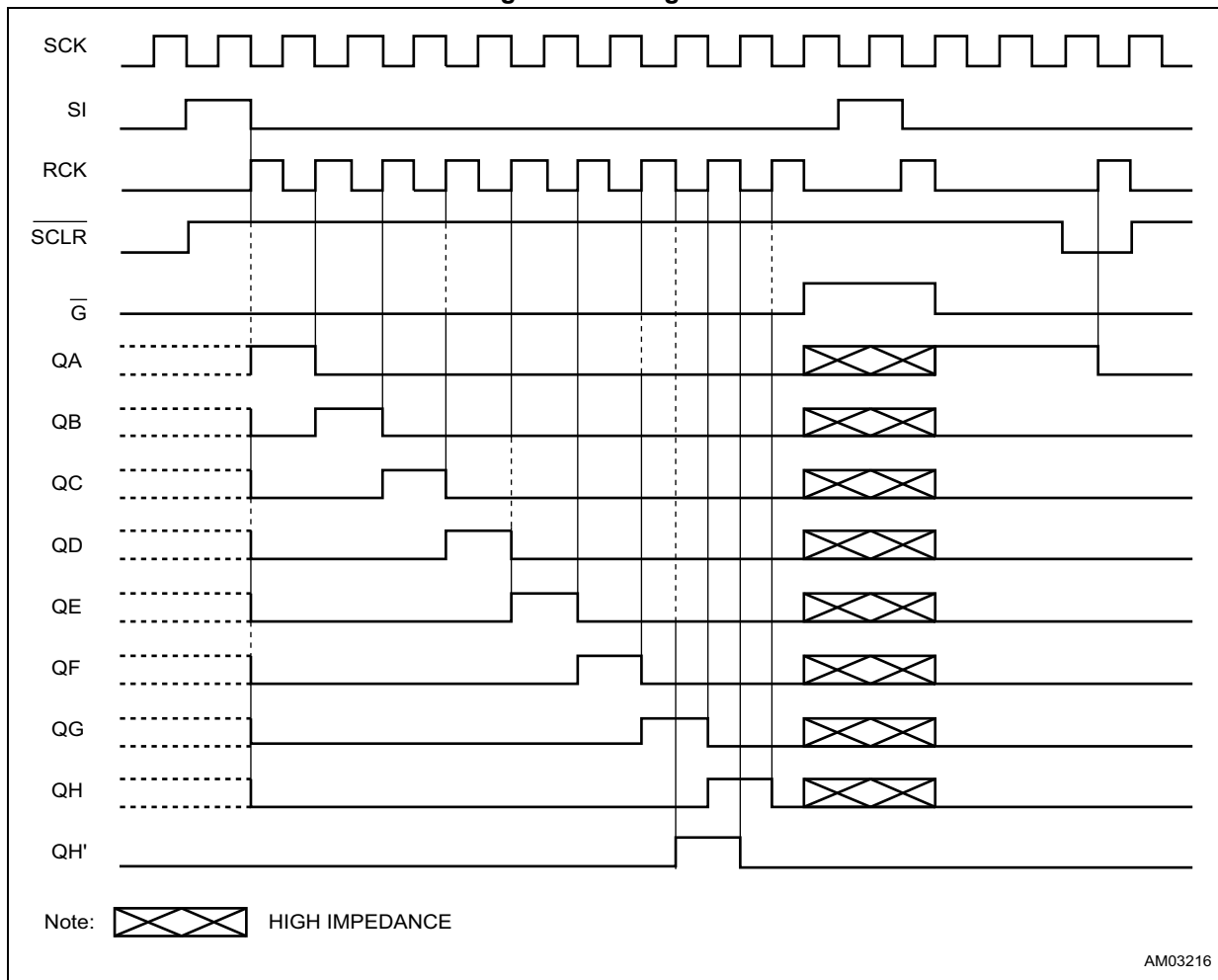
1. X: don't care.

Figure 4. Input and output equivalent circuit



AM03206

Figure 5. Timing chart



### 3 Electrical characteristics

**Table 4. Absolute maximum ratings<sup>(1)</sup>**

| Symbol                | Parameter                     |       | Value                  | Unit |
|-----------------------|-------------------------------|-------|------------------------|------|
| $V_{CC}$              | Supply voltage                |       | -0.5 to +7             | V    |
| $V_I$                 | DC input voltage              |       | -0.5 to $V_{CC} + 0.5$ |      |
| $V_O$                 | DC output voltage             |       |                        |      |
| $I_{IK}$              | DC input diode current        |       | $\pm 20$               | mA   |
| $I_{OK}$              | DC output diode current       |       |                        |      |
| $I_O$                 | DC output current             |       | $\pm 35$               |      |
| $I_{CC}$ or $I_{GND}$ | DC $V_{CC}$ or ground current |       | $\pm 70$               |      |
| $P_D$                 | Power dissipation             | SOP   | 500 <sup>(2)</sup>     | mW   |
|                       |                               | TSSOP | 450 <sup>(2)</sup>     |      |
| $T_{stg}$             | Storage temperature           |       | -65 to +150            | °C   |
| $T_L$                 | Lead temperature (10 sec.)    |       | 300                    |      |

1. Absolute maximum ratings are those values beyond which damage to the device may occur. Functional operation under these conditions is not implied.
2. Power dissipation at 65 °C. Derating from 65 °C to 125 °C: SO package -7 mW/°C; TSSOP package -6.1 mW/°C.

**Table 5. Recommended operating conditions**

| Symbol     | Parameter                |                         | Value         | Unit |
|------------|--------------------------|-------------------------|---------------|------|
| $V_{CC}$   | Supply voltage           |                         | 2 to 6        | V    |
| $V_I$      | Input voltage            |                         | 0 to $V_{CC}$ |      |
| $V_O$      | Output voltage           |                         |               |      |
| $T_{op}$   | Operating temperature    |                         | -55 to 125    | °C   |
| $t_r, t_f$ | Input rise and fall time | $V_{CC} = 2.0\text{ V}$ | 0 to 1000     | ns   |
|            |                          | $V_{CC} = 4.5\text{ V}$ | 0 to 500      |      |
|            |                          | $V_{CC} = 6.0\text{ V}$ | 0 to 400      |      |

Table 6. DC specifications

| Symbol          | Parameter  | Test condition      |  | Value                  |      |      |              |      |               | Unit |      |
|-----------------|--|---------------------|--|------------------------|------|------|--------------|------|---------------|------|------|
|                 |  | V <sub>CC</sub> (V) |  | T <sub>A</sub> = 25 °C |      |      | -40 to 85 °C |      | -55 to 125 °C |      |      |
|                 |  |                     |  | Min.                   | Typ. | Max. | Min.         | Max. | Min.          |      | Max. |
| V <sub>IH</sub> | High level input voltage                         | 2.0                 |  | 1.5                    |      |      | 1.5          |      | 1.5           |      | V    |
|                 |  | 4.5                 |  | 3.15                   |      |      | 3.15         |      | 3.15          |      |      |
|                 |  | 6.0                 |  | 4.2                    |      |      | 4.2          |      | 4.2           |      |      |
| V <sub>IL</sub> | Low level input voltage                          | 2.0                 |  |                        |      | 0.5  |              | 0.5  |               | 0.5  | V    |
|                 |  | 4.5                 |  |                        |      | 1.35 |              | 1.35 |               | 1.35 |      |
|                 |  | 6.0                 |  |                        |      | 1.8  |              | 1.8  |               | 1.8  |      |
| V <sub>OH</sub> | High level output voltage (for QH' outputs)      | 2.0                 | I <sub>O</sub> = -20 μA  | 1.9                    | 2.0  |      | 1.9          |      | 1.9           |      | V    |
|                 |  | 4.5                 | I <sub>O</sub> = -20 μA  | 4.4                    | 4.5  |      | 4.4          |      | 4.4           |      |      |
|                 |  | 6.0                 | I <sub>O</sub> = -20 μA  | 5.9                    | 6.0  |      | 5.9          |      | 5.9           |      |      |
|                 |  | 4.5                 | I <sub>O</sub> = -4.0 mA   | 4.18                   | 4.31 |      | 4.13         |      | 4.10          |      |      |
|                 |  | 6.0                 | I <sub>O</sub> = -7.8 mA   | 5.68                   | 5.8  |      | 5.63         |      | 5.60          |      |      |
| V <sub>OH</sub> | High level output voltage (for QA to QH outputs) | 2.0                 | I <sub>O</sub> = -20 μA  | 1.9                    | 2.0  |      | 1.9          |      | 1.9           |      | V    |
|                 |  | 4.5                 | I <sub>O</sub> = -20 μA  | 4.4                    | 4.5  |      | 4.4          |      | 4.4           |      |      |
|                 |  | 6.0                 | I <sub>O</sub> = -20 μA  | 5.9                    | 6.0  |      | 5.9          |      | 5.9           |      |      |
|                 |  | 4.5                 | I <sub>O</sub> = -6.0 mA   | 4.18                   | 4.31 |      | 4.13         |      | 4.10          |      |      |
|                 |  | 6.0                 | I <sub>O</sub> = -7.8 mA   | 5.68                   | 5.8  |      | 5.63         |      | 5.60          |      |      |
| V <sub>OL</sub> | Low level output voltage (for QH' outputs)       | 2.0                 | I <sub>O</sub> = 20 μA   |                        | 0.0  | 0.1  |              | 0.1  |               | 0.1  | V    |
|                 |  | 4.5                 | I <sub>O</sub> = 20 μA   |                        | 0.0  | 0.1  |              | 0.1  |               | 0.1  |      |
|                 |  | 6.0                 | I <sub>O</sub> = 20 μA   |                        | 0.0  | 0.1  |              | 0.1  |               | 0.1  |      |
|                 |  | 4.5                 | I <sub>O</sub> = 4.0 mA  |                        | 0.17 | 0.26 |              | 0.33 |               | 0.40 |      |
|                 |  | 6.0                 | I <sub>O</sub> = 7.8 mA  |                        | 0.18 | 0.26 |              | 0.33 |               | 0.40 |      |
| V <sub>OL</sub> | Low level output voltage (for QA to QH outputs)  | 2.0                 | I <sub>O</sub> = 20 μA   |                        | 0.0  | 0.1  |              | 0.1  |               | 0.1  | V    |
|                 |  | 4.5                 | I <sub>O</sub> = 20 μA   |                        | 0.0  | 0.1  |              | 0.1  |               | 0.1  |      |
|                 |  | 6.0                 | I <sub>O</sub> = 20 μA   |                        | 0.0  | 0.1  |              | 0.1  |               | 0.1  |      |
|                 |  | 4.5                 | I <sub>O</sub> = 6.0 mA  |                        | 0.17 | 0.26 |              | 0.33 |               | 0.40 |      |
|                 |  | 6.0                 | I <sub>O</sub> = 7.8 mA  |                        | 0.18 | 0.26 |              | 0.33 |               | 0.40 |      |
| I <sub>I</sub>  | Input leakage current                            | 6.0                 | V <sub>I</sub> = V <sub>CC</sub> or GND  |                        |      | ±0.1 |              | ±1   |               | ±1   | μA   |
| I <sub>OZ</sub> | High impedance output leakage current            | 6.0                 | V <sub>I</sub> = V <sub>IH</sub> or V <sub>IL</sub><br>V <sub>O</sub> = V <sub>CC</sub> or GND |                        |      | ±0.5 |              | ±5   |               | ±10  | μA   |
| I <sub>CC</sub> | Quiescent supply current                         | 6.0                 | V <sub>I</sub> = V <sub>CC</sub> or GND  |                        |      | 4    |              | 40   |               | 80   | μA   |



Table 7. AC electrical characteristics ( $C_L = 50$  pF, input  $t_r = t_f = 6$  ns)

| Symbol             | Parameter                           | Test condition |            |                          | Value                    |      |      |                             |      |                              | Unit |      |
|--------------------|-------------------------------------|----------------|------------|--------------------------|--------------------------|------|------|-----------------------------|------|------------------------------|------|------|
|                    |                                     | $V_{CC}$ (V)   | $C_L$ (pF) |                          | $T_A = 25^\circ\text{C}$ |      |      | $-40$ to $85^\circ\text{C}$ |      | $-55$ to $125^\circ\text{C}$ |      |      |
|                    |                                     |                |            |                          | Min.                     | Typ. | Max. | Min.                        | Max. | Min.                         |      | Max. |
| $t_{TLH}, t_{THL}$ | Output transition time (Qn)         | 2.0            | 50         |                          | 25                       | 60   |      | 75                          |      | 90                           | ns   |      |
|                    |                                     | 4.5            |            | 7                        | 12                       |      | 15   |                             | 18   |                              |      |      |
|                    |                                     | 6.0            |            | 6                        | 10                       |      | 13   |                             | 15   |                              |      |      |
| $t_{TLH}, t_{THL}$ | Output transition time (QH')        | 2.0            | 50         |                          | 30                       | 75   |      | 95                          |      | 115                          | ns   |      |
|                    |                                     | 4.5            |            | 8                        | 15                       |      | 19   |                             | 23   |                              |      |      |
|                    |                                     | 6.0            |            | 7                        | 13                       |      | 16   |                             | 20   |                              |      |      |
| $t_{PLH}, t_{PHL}$ | Propagation delay time (SCK - QH')  | 2.0            | 50         |                          | 45                       | 125  |      | 155                         |      | 190                          | ns   |      |
|                    |                                     | 4.5            |            | 15                       | 25                       |      | 31   |                             | 38   |                              |      |      |
|                    |                                     | 6.0            |            | 13                       | 21                       |      | 26   |                             | 32   |                              |      |      |
| $t_{PLH}, t_{PHL}$ | Propagation delay time (SCLR - QH') | 2.0            | 50         |                          | 60                       | 175  |      | 220                         |      | 265                          | ns   |      |
|                    |                                     | 4.5            |            | 18                       | 35                       |      | 44   |                             | 53   |                              |      |      |
|                    |                                     | 6.0            |            | 15                       | 30                       |      | 37   |                             | 45   |                              |      |      |
| $t_{PLH}, t_{PHL}$ | Propagation delay time (RCK - Qn)   | 2.0            | 50         |                          | 60                       | 150  |      | 190                         |      | 225                          | ns   |      |
|                    |                                     | 4.5            |            | 20                       | 30                       |      | 38   |                             | 45   |                              |      |      |
|                    |                                     | 6.0            |            | 17                       | 26                       |      | 32   |                             | 38   |                              |      |      |
|                    |                                     | 2.0            | 150        |                          | 75                       | 190  |      | 240                         |      | 285                          | ns   |      |
|                    |                                     | 4.5            |            | 25                       | 38                       |      | 48   |                             | 57   |                              |      |      |
|                    |                                     | 6.0            |            | 22                       | 32                       |      | 41   |                             | 48   |                              |      |      |
| $t_{PZL}, t_{PZH}$ | High impedance output enable time   | 2.0            | 50         | $R_L = 1\text{ K}\Omega$ |                          | 45   | 135  |                             | 170  |                              | 205  | ns   |
|                    |                                     | 4.5            |            |                          | 15                       | 27   |      | 34                          |      | 41                           |      |      |
|                    |                                     | 6.0            |            |                          | 13                       | 23   |      | 29                          |      | 35                           |      |      |
|                    |                                     | 2.0            | 150        | $R_L = 1\text{ K}\Omega$ |                          | 60   | 175  |                             | 220  |                              | 265  | ns   |
|                    |                                     | 4.5            |            |                          | 20                       | 35   |      | 44                          |      | 53                           |      |      |
|                    |                                     | 6.0            |            |                          | 17                       | 30   |      | 37                          |      | 45                           |      |      |
| $t_{PLZ}, t_{PHZ}$ | High impedance output disable time  | 2.0            | 50         | $R_L = 1\text{ K}\Omega$ |                          | 30   | 150  |                             | 190  |                              | 225  | ns   |
|                    |                                     | 4.5            |            |                          | 15                       | 30   |      | 38                          |      | 45                           |      |      |
|                    |                                     | 6.0            |            |                          | 14                       | 26   |      | 32                          |      | 38                           |      |      |

Table 7. AC electrical characteristics ( $C_L = 50 \text{ pF}$ , input  $t_r = t_f = 6 \text{ ns}$ ) (continued)

| Symbol     | Parameter                       | Test condition |            |    | Value                    |      |      |                                    |      |                                     | Unit |      |
|------------|---------------------------------|----------------|------------|----|--------------------------|------|------|------------------------------------|------|-------------------------------------|------|------|
|            |                                 | $V_{CC}$ (V)   | $C_L$ (pF) |    | $T_A = 25^\circ\text{C}$ |      |      | $-40 \text{ to } 85^\circ\text{C}$ |      | $-55 \text{ to } 125^\circ\text{C}$ |      |      |
|            |                                 |                |            |    | Min.                     | Typ. | Max. | Min.                               | Max. | Min.                                |      | Max. |
| $f_{MAX}$  | Maximum clock frequency         | 2.0            | 50         |    | 6.0                      | 17   |      | 4.8                                |      | 4                                   |      | MHz  |
|            |                                 | 4.5            |            | 30 | 50                       |      | 24   |                                    | 20   |                                     |      |      |
|            |                                 | 6.0            |            | 35 | 59                       |      | 28   |                                    | 24   |                                     |      |      |
|            |                                 | 2.0            | 150        |    | 5.2                      | 14   |      | 4.2                                |      | 3.4                                 |      | MHz  |
|            |                                 | 4.5            |            | 26 | 40                       |      | 21   |                                    | 17   |                                     |      |      |
|            |                                 | 6.0            |            | 31 | 45                       |      | 25   |                                    | 20   |                                     |      |      |
| $t_{W(H)}$ | Minimum pulse width (SCK, RCK)  | 2.0            | 50         |    |                          | 17   | 75   |                                    | 95   |                                     | 110  | ns   |
|            |                                 | 4.5            |            |    | 6                        | 15   |      | 19                                 |      | 22                                  |      |      |
|            |                                 | 6.0            |            |    | 6                        | 13   |      | 16                                 |      | 19                                  |      |      |
| $t_{W(L)}$ | Minimum pulse width (SCLR)      | 2.0            | 50         |    |                          | 20   | 75   |                                    | 95   |                                     | 110  | ns   |
|            |                                 | 4.5            |            |    | 6                        | 15   |      | 19                                 |      | 22                                  |      |      |
|            |                                 | 6.0            |            |    | 6                        | 13   |      | 16                                 |      | 19                                  |      |      |
| $t_s$      | Minimum setup time (SI - CCK)   | 2.0            | 50         |    |                          | 25   | 50   |                                    | 65   |                                     | 75   | ns   |
|            |                                 | 4.5            |            |    | 5                        | 10   |      | 13                                 |      | 15                                  |      |      |
|            |                                 | 6.0            |            |    | 4                        | 9    |      | 11                                 |      | 13                                  |      |      |
| $t_s$      | Minimum setup time (SCK - RCK)  | 2.0            | 50         |    |                          | 35   | 75   |                                    | 95   |                                     | 110  | ns   |
|            |                                 | 4.5            |            |    | 8                        | 15   |      | 19                                 |      | 22                                  |      |      |
|            |                                 | 6.0            |            |    | 6                        | 13   |      | 16                                 |      | 19                                  |      |      |
| $t_s$      | Minimum setup time (SCRL - RCK) | 2.0            | 50         |    |                          | 40   | 100  |                                    | 125  |                                     | 145  | ns   |
|            |                                 | 4.5            |            |    | 10                       | 20   |      | 25                                 |      | 29                                  |      |      |
|            |                                 | 6.0            |            |    | 7                        | 17   |      | 21                                 |      | 25                                  |      |      |
| $t_h$      | Minimum hold time               | 2.0            | 50         |    |                          |      | 0    |                                    | 0    |                                     | 0    | ns   |
|            |                                 | 4.5            |            |    |                          | 0    |      | 0                                  |      | 0                                   |      |      |
|            |                                 | 6.0            |            |    |                          | 0    |      | 0                                  |      | 0                                   |      |      |
| $t_{REM}$  | Minimum clear removal time      | 2.0            | 50         |    |                          | 15   | 50   |                                    | 65   |                                     | 75   | ns   |
|            |                                 | 4.5            |            |    | 3                        | 10   |      | 13                                 |      | 15                                  |      |      |
|            |                                 | 6.0            |            |    | 3                        | 9    |      | 11                                 |      | 13                                  |      |      |

Table 8. Capacitive characteristics

| Symbol          | Parameter                                    | Test condition | Value               |                        |      |      |              |      | Unit |               |      |
|-----------------|--|----------------|---------------------|------------------------|------|------|--------------|------|------|---------------|------|
|                 |  |                | V <sub>CC</sub> (V) | T <sub>A</sub> = 25 °C |      |      | -40 to 85 °C |      |      | -55 to 125 °C |      |
|                 |  |                |                     | Min.                   | Typ. | Max. | Min.         | Max. |      | Min.          | Max. |
| C <sub>IN</sub> | Input capacitance                            |                |                     | 5                      | 10   |      | 10           |      | 10   | pF            |      |
| C <sub>PD</sub> | Power dissipation capacitance <sup>(1)</sup> |                |                     | 184                    |      |      |              |      |      |               |      |

1. C<sub>PD</sub> is defined as the value of the IC's internal equivalent capacitance which is calculated from the operating current consumption without load. (Refer to [Figure 6: Test circuit](#)). Average operating current can be obtained by the following equation:  $I_{CC(opr)} = C_{PD} \times V_{CC} \times f_{IN} + I_{CC}$ .

Figure 6. Test circuit

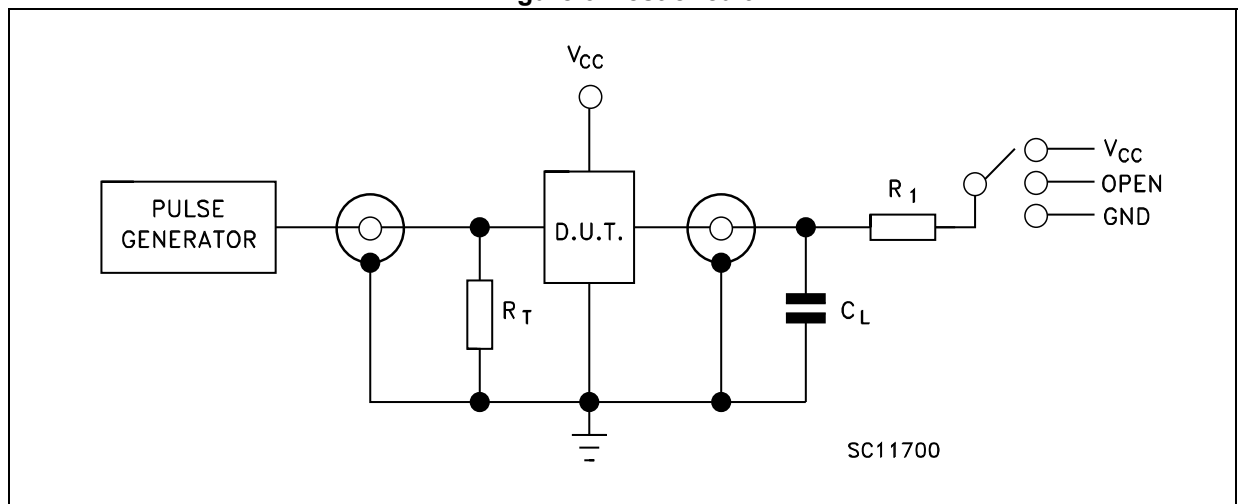


Table 9. Propagation delay time configuration

| Test                                | Switch          |
|-------------------------------------|-----------------|
| t <sub>PLH</sub> , t <sub>PHL</sub> | Open            |
| t <sub>PZL</sub> , t <sub>PLZ</sub> | V <sub>CC</sub> |
| t <sub>PZH</sub> , t <sub>PHZ</sub> | GND             |

Note: C<sub>L</sub> = 50 pF/150 pF or equivalent (includes jig and probe capacitance)  
 R<sub>1</sub> = 1 KΩ or equivalent  
 R<sub>T</sub> = Z<sub>OUT</sub> of pulse generator (typically 50 Ω).

Figure 7. Waveform 1: SCK to QH' propagation delay times, SCK minimum pulse width (f = 1 MHz; 50 % duty cycle)

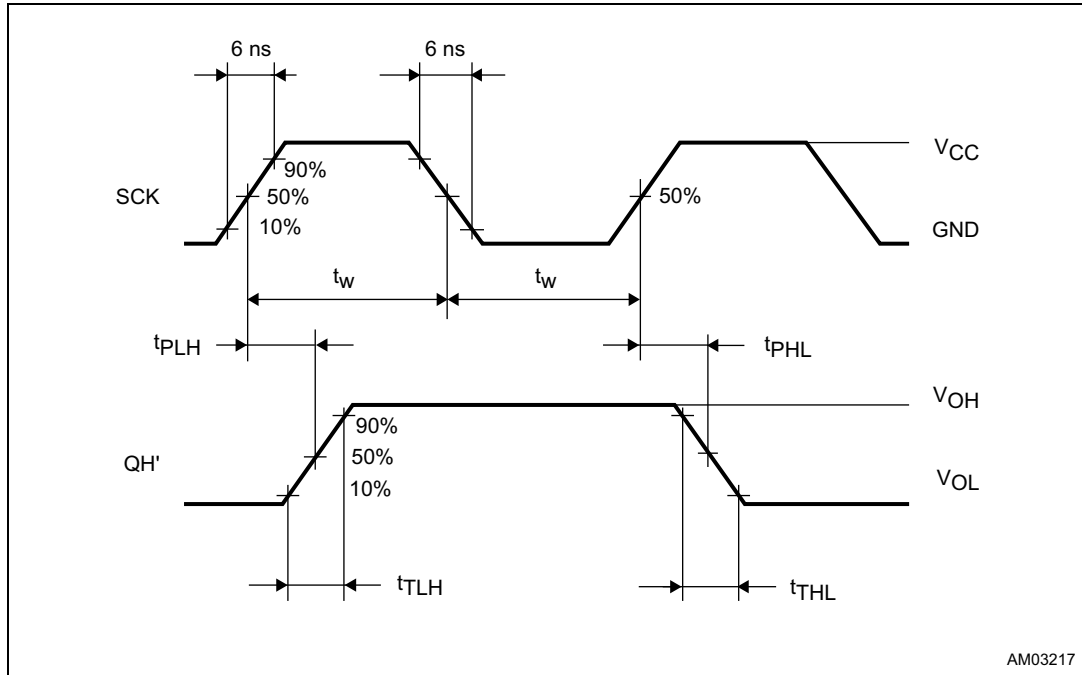


Figure 8. Waveform 2: RCK to QN propagation delay times (f = 1 MHz; 50 % duty cycle)

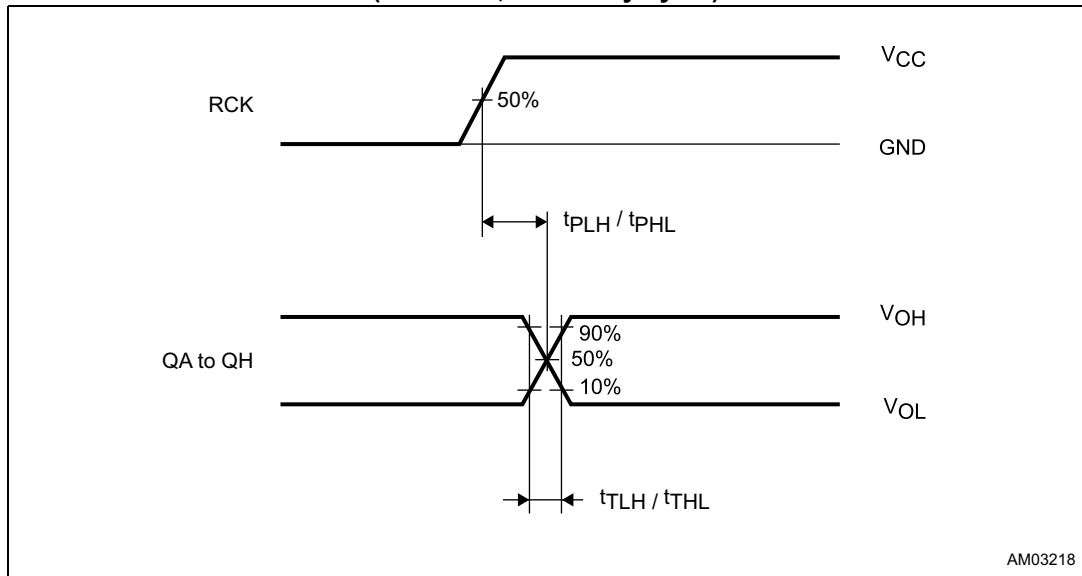


Figure 9. Waveform 3: SI to SCK setup and hold times (f = 1 MHz; 50 % duty cycle)

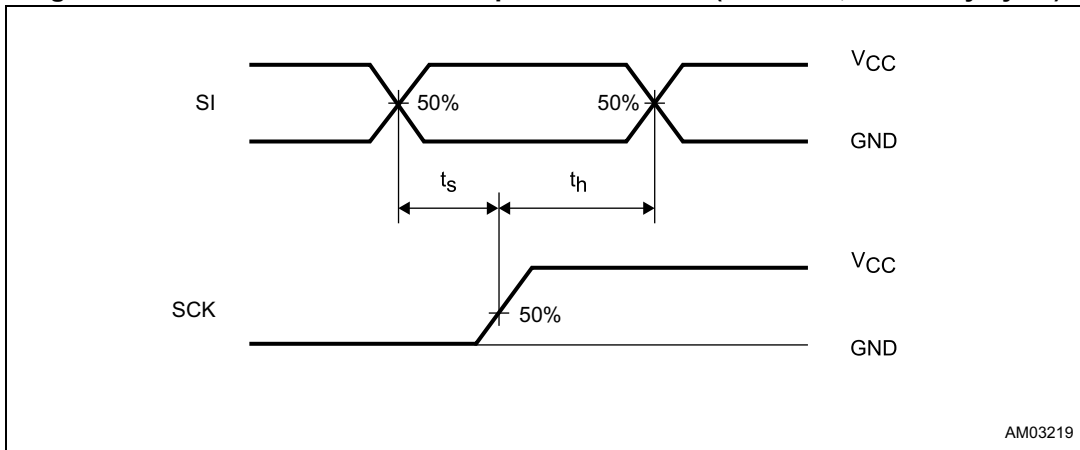


Figure 10. Waveform 4: SCK to RCK setup and hold times (f = 1 MHz; 50 % duty cycle)

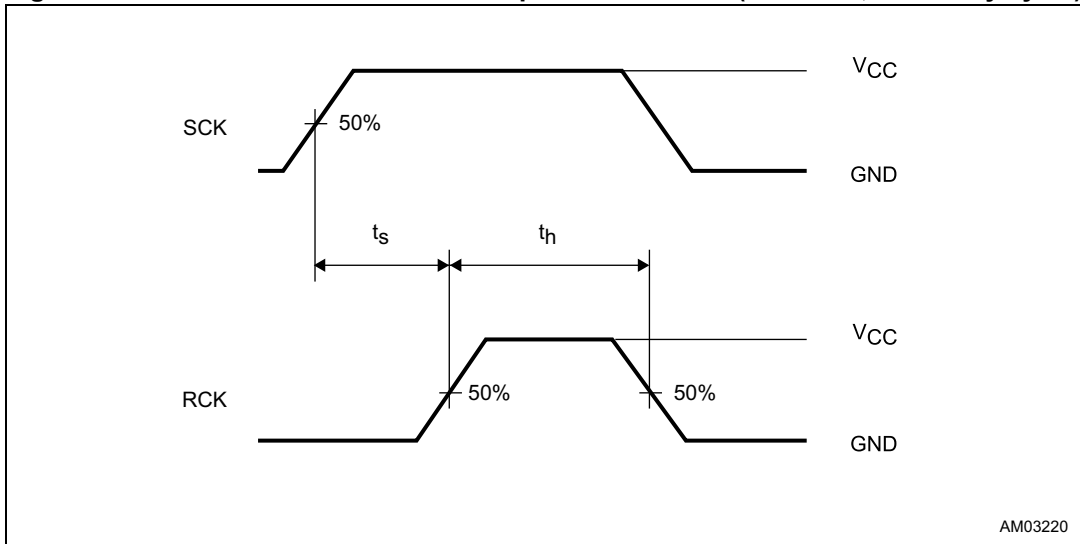
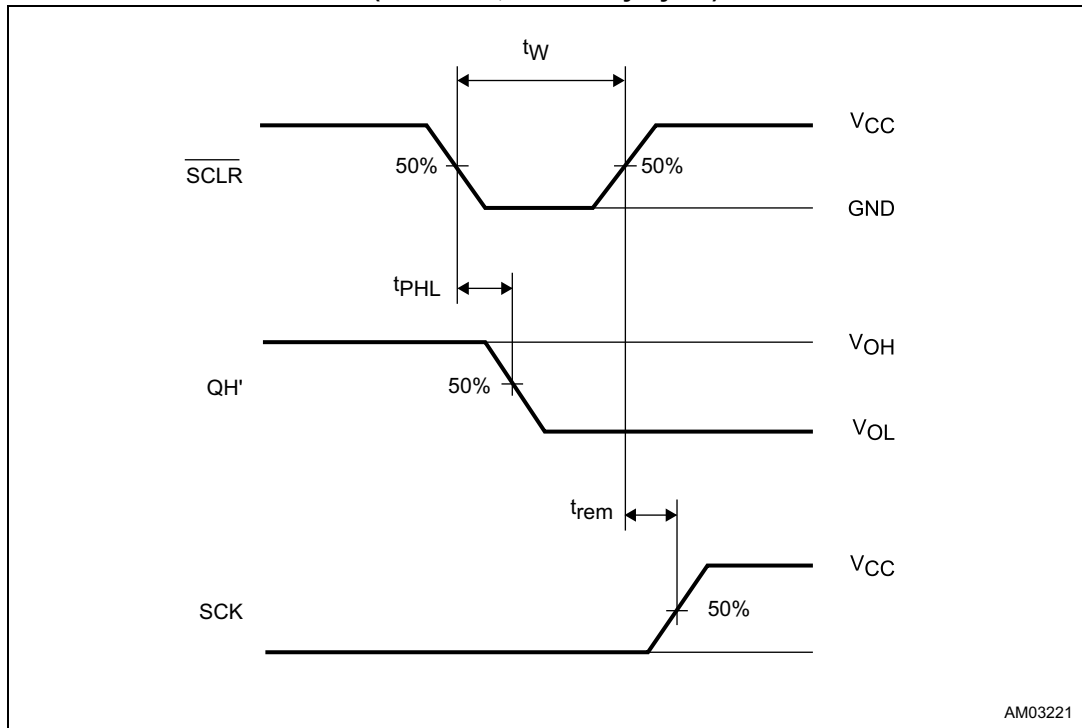
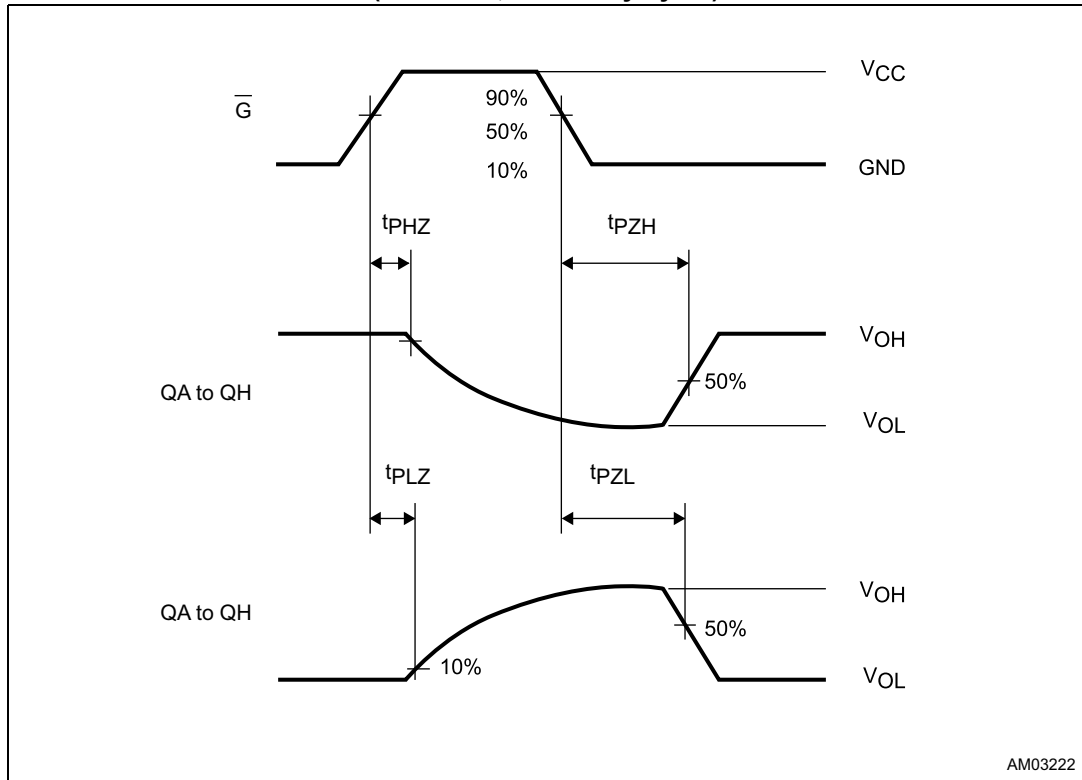


Figure 11. Waveform 5:  $\overline{\text{SCLR}}$  minimum pulse width, minimum removal time (f = 1 MHz; 50 % duty cycle)



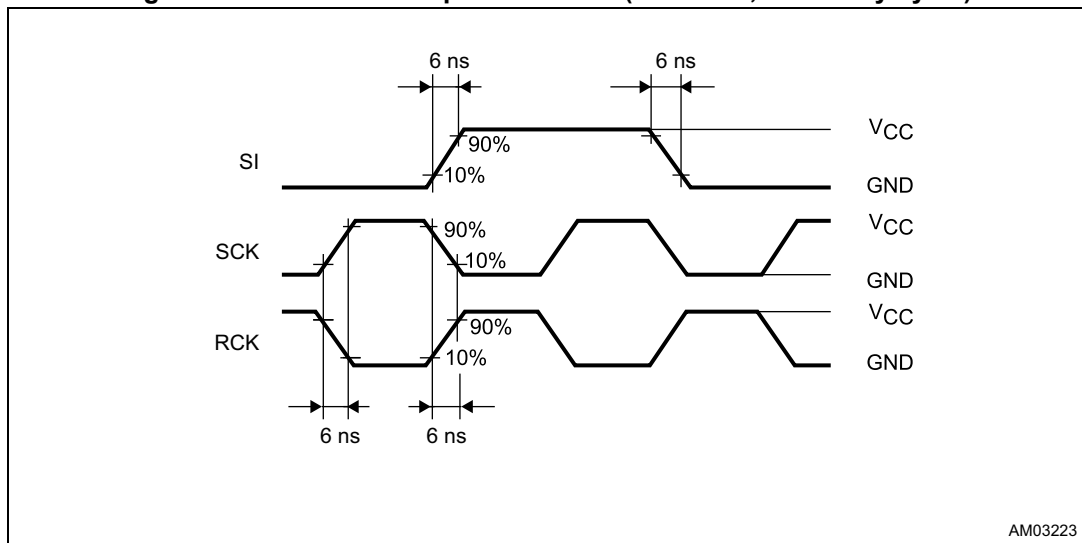
AM03221

Figure 12. Waveform 6: OUTPUT ENABLE and DISABLE times (f = 1 MHz; 50 % duty cycle)



AM03222

Figure 13. Waveform 7: input waveform (f = 1 MHz; 50 % duty cycle)



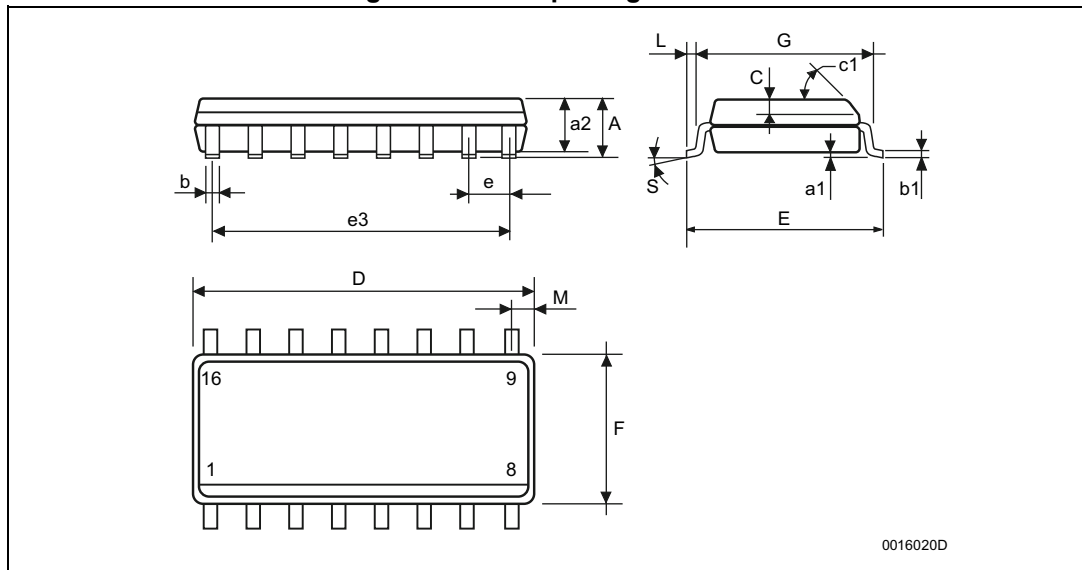
## 4 Package information

In order to meet environmental requirements, ST offers these devices in different grades of ECOPACK<sup>®</sup> packages, depending on their level of environmental compliance. ECOPACK specifications, grade definitions and product status are available at: [www.st.com](http://www.st.com). ECOPACK is an ST trademark.



## 4.1 SO16 package information

Figure 14. SO16 package outline

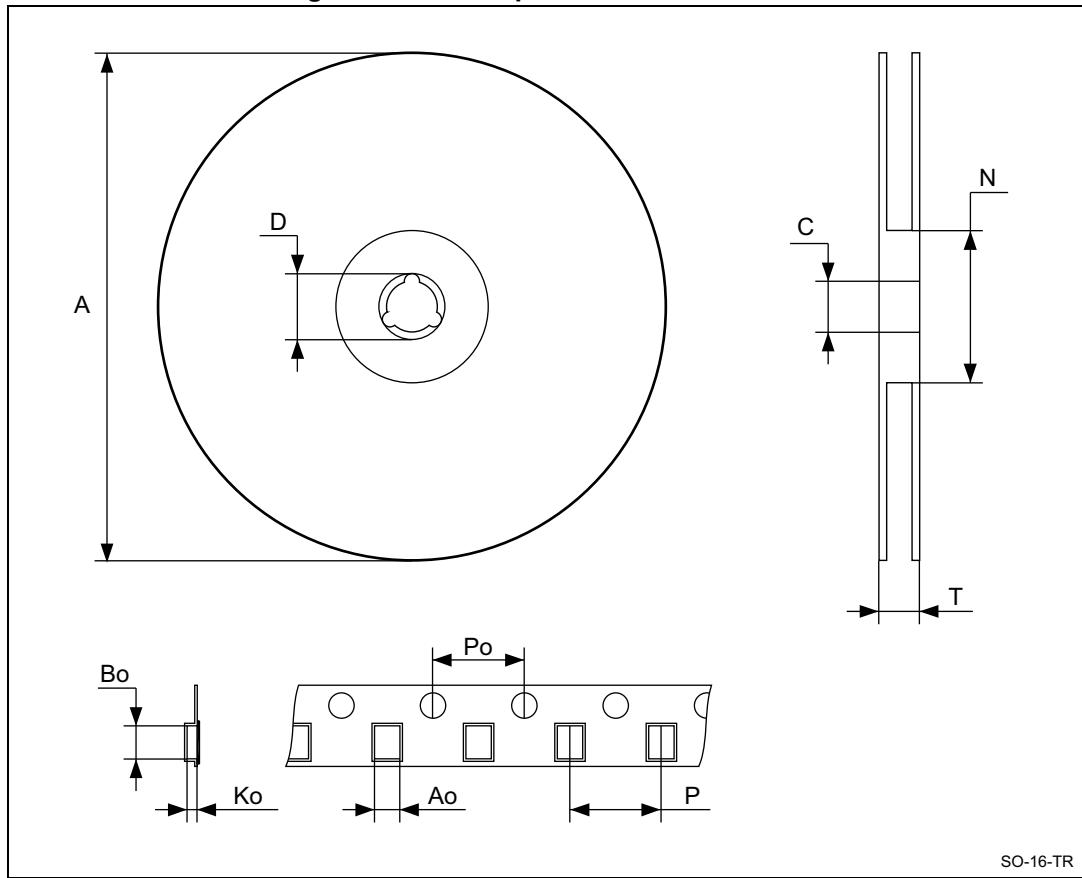


0016020D

Table 10. SO16 package mechanical data

| Symbol | Dimensions |      |      |       |       |       |
|--------|------------|------|------|-------|-------|-------|
|        | mm         |      |      | inch  |       |       |
|        | Min.       | Typ. | Max. | Min.  | Typ.  | Max.  |
| A      |            |      | 1.75 |       |       | 0.068 |
| a1     | 0.1        |      | 0.2  | 0.004 |       | 0.008 |
| a2     |            |      | 1.65 |       |       | 0.064 |
| b      | 0.35       |      | 0.46 | 0.013 |       | 0.018 |
| b1     | 0.19       |      | 0.25 | 0.007 |       | 0.010 |
| C      |            | 0.5  |      |       | 0.019 |       |
| c1     | 45° (typ.) |      |      |       |       |       |
| D      | 9.8        |      | 10   | 0.385 |       | 0.393 |
| E      | 5.8        |      | 6.2  | 0.228 |       | 0.244 |
| e      |            | 1.27 |      |       | 0.050 |       |
| e3     |            | 8.89 |      |       | 0.350 |       |
| F      | 3.8        |      | 4.0  | 0.149 |       | 0.157 |
| G      | 4.6        |      | 5.3  | 0.181 |       | 0.208 |
| L      | 0.5        |      | 1.27 | 0.019 |       | 0.050 |
| M      |            |      | 0.62 |       |       | 0.024 |
| S      | 8° (max.)  |      |      |       |       |       |

Figure 15. SO16 tape and reel information



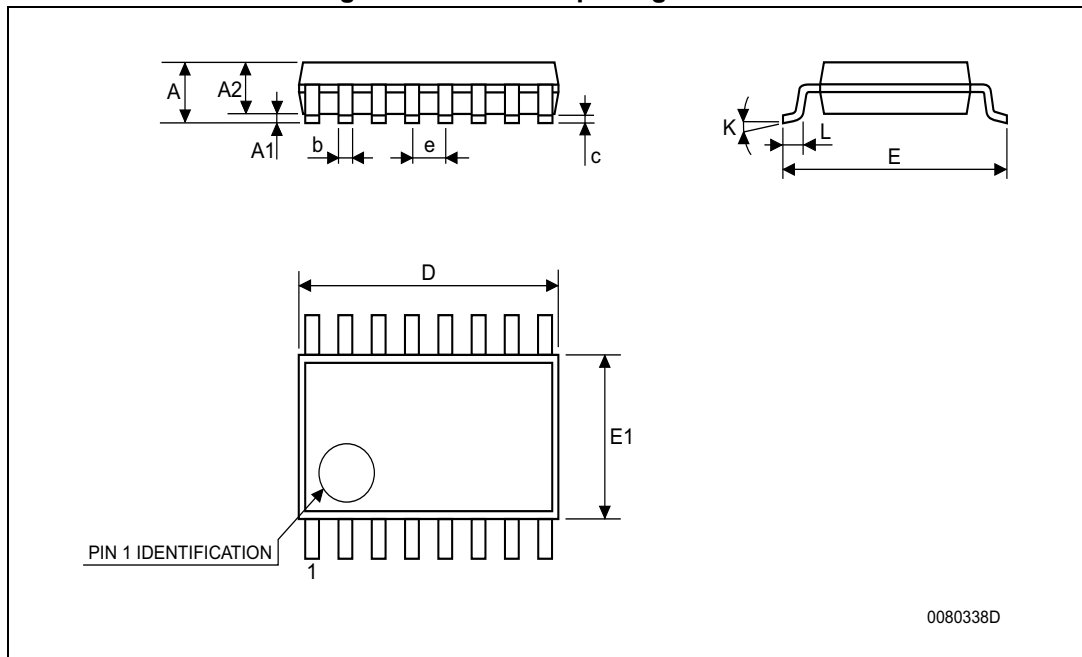
1. Drawing is not in scale.

Table 11. SO16 tape and reel information

| Symbol | Dimensions |      |      |       |      |        |
|--------|------------|------|------|-------|------|--------|
|        | mm         |      |      | inch  |      |        |
|        | Min.       | Typ. | Max. | Min.  | Typ. | Max.   |
| A      |            |      | 330  |       |      | 12.992 |
| C      | 12.8       |      | 13.2 | 0.504 |      | 0.519  |
| D      | 20.2       |      |      | 0.795 |      |        |
| N      | 60         |      |      | 2.362 |      |        |
| T      |            |      | 22.4 |       |      | 0.882  |
| Ao     | 6.45       |      | 6.65 | 0.254 |      | 0.262  |
| Bo     | 10.3       |      | 10.5 | 0.406 |      | 0.414  |
| Ko     | 2.1        |      | 2.3  | 0.082 |      | 0.090  |
| Po     | 3.9        |      | 4.1  | 0.153 |      | 0.161  |
| P      | 7.9        |      | 8.1  | 0.311 |      | 0.319  |

## 4.2 TSSOP16 package information

Figure 16. TSSOP16 package outline

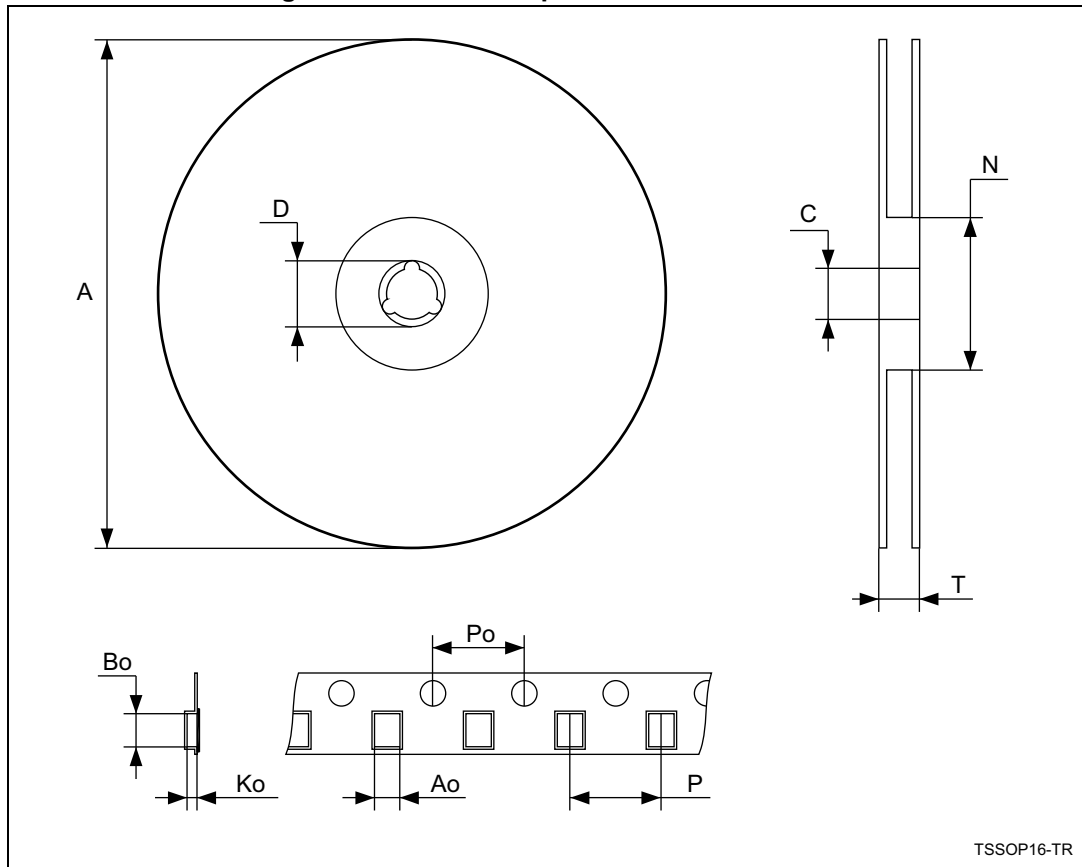


0080338D

Table 12. TSSOP16 package mechanical data

| Symbol | Dimensions |      |      |       |        |        |
|--------|------------|------|------|-------|--------|--------|
|        | mm         |      |      | inch  |        |        |
|        | Min.       | Typ. | Max. | Min.  | Typ.   | Max.   |
| A      |            |      | 1.2  |       |        | 0.047  |
| A1     | 0.05       |      | 0.15 | 0.002 | 0.004  | 0.006  |
| A2     | 0.8        | 1    | 1.05 | 0.031 | 0.039  | 0.041  |
| b      | 0.19       |      | 0.30 | 0.007 |        | 0.012  |
| c      | 0.09       |      | 0.20 | 0.004 |        | 0.0079 |
| D      | 4.9        | 5.5  | .1   | 0.193 | 0.197  | 0.201  |
| E      | 6.2        | 6.4  | 6.6  | 0.244 | 0.252  | 0.260  |
| E1     | 4.3        | 4.4  | 4.48 | 0.169 | 0.173  | 0.176  |
| e      |            | 0.65 |      |       | 0.0256 |        |
| K      | 0°         |      | 8°   | 0°    |        | 8°     |
| L      | 0.45       | 0.60 | 0.75 | 0.018 | 0.024  | 0.030  |

Figure 17. TSSOP16 tape and reel information



TSSOP16-TR

1. Drawing is not in scale.

Table 13. TSSOP16 tape and reel information

| Symbol | Dimensions |      |      |       |      |        |
|--------|------------|------|------|-------|------|--------|
|        | mm         |      |      | inch  |      |        |
|        | Min.       | Typ. | Max. | Min.  | Typ. | Max.   |
| A      |            |      | 330  |       |      | 12.992 |
| C      | 12.8       |      | 13.2 | 0.504 |      | 0.519  |
| D      | 20.2       |      |      | 0.795 |      |        |
| N      | 60         |      |      | 2.362 |      |        |
| T      |            |      | 22.4 |       |      | 0.882  |
| Ao     | 6.7        |      | 6.9  | 0.264 |      | 0.272  |
| Bo     | 5.3        |      | 5.5  | 0.209 |      | 0.217  |
| Ko     | 1.6        |      | 1.8  | 0.063 |      | 0.071  |
| Po     | 3.9        |      | 4.1  | 0.153 |      | 0.161  |
| P      | 7.9        |      | 8.1  | 0.311 |      | 0.319  |

## 5 Ordering information

**Table 14. Device summary**

| Order code                     | Temp. range | Package                       | Packing       | Marking  |
|--------------------------------|-------------|-------------------------------|---------------|----------|
| M74HC595RM13TR                 | -55/+125 °C | SO16                          | Tape and reel | 74HC595  |
| M74HC595YRM13TR <sup>(1)</sup> | -40/+125 °C | SO16<br>(automotive grade)    |               | 74HC595Y |
| M74HC595TTR                    | -55/+125 °C | TSSOP16                       |               | HC595    |
| M74HC595YTTR <sup>(1)</sup>    | -40/+125 °C | TSSOP16<br>(automotive grade) |               | HC595Y   |

1. Qualification and characterization according to AEC Q100 and Q003 or equivalent, advanced screening according to AEC Q001 and Q002 or equivalent.

## 6 Revision history

**Table 15. Document revision history**

| Date        | Revision | Changes  |
|-------------|----------|--|
| 18-Apr-2013 | 5        | <p>Added <a href="#">Applications</a> to page 1.</p> <p>Updated <a href="#">Table 1</a> (updated data, removed M74HC595M1R order code, added M74HC595RM13TR, M74HC595YRM13TR, M74HC595TTR, and M74HC595YTTR order code, temperature range, marking, updated package and packaging).</p> <p>Redrawn <a href="#">Figure 1</a> to <a href="#">Figure 4</a> and <a href="#">Figure 7</a> to <a href="#">Figure 13</a>.</p> <p>Moved <a href="#">Figure 1</a> to page 3.</p> <p>Added <a href="#">Contents</a>.</p> <p>Added titles to <a href="#">Section 1</a> to <a href="#">Section 6</a> (reformatted <a href="#">Section 1</a> and <a href="#">Section 2</a>).</p> <p>Added title to <a href="#">Table 9</a>.</p> <p>Added cross-reference to note 1. below <a href="#">Table 8</a>.</p> <p>Added ECOPACK text to <a href="#">Section 4</a>, reformatted <a href="#">Section 4</a> (reversed order of figures and tables, added titles to <a href="#">Figure 14</a> to <a href="#">Figure 17</a> and <a href="#">Table 10</a> to <a href="#">Table 13</a>, moved notes below <a href="#">Figure 15</a> and <a href="#">Figure 17</a>).</p> <p>Added <a href="#">Table 15</a>.</p> <p>Minor corrections throughout document.</p> |
| 10-Jan-2014 | 6        | <p>Removed PDIP16 package</p> <p>Added ESD data to <a href="#">Features</a></p> <p><a href="#">Table 1: Device summary</a>: updated footnote 1</p> <p>Added <a href="#">Section 5: Ordering information</a></p> <p>Updated layout</p>  |

**Please Read Carefully:**

Information in this document is provided solely in connection with ST products. STMicroelectronics NV and its subsidiaries ("ST") reserve the right to make changes, corrections, modifications or improvements, to this document, and the products and services described herein at any time, without notice.

All ST products are sold pursuant to ST's terms and conditions of sale.

Purchasers are solely responsible for the choice, selection and use of the ST products and services described herein, and ST assumes no liability whatsoever relating to the choice, selection or use of the ST products and services described herein.

No license, express or implied, by estoppel or otherwise, to any intellectual property rights is granted under this document. If any part of this document refers to any third party products or services it shall not be deemed a license grant by ST for the use of such third party products or services, or any intellectual property contained therein or considered as a warranty covering the use in any manner whatsoever of such third party products or services or any intellectual property contained therein.

**UNLESS OTHERWISE SET FORTH IN ST'S TERMS AND CONDITIONS OF SALE ST DISCLAIMS ANY EXPRESS OR IMPLIED WARRANTY WITH RESPECT TO THE USE AND/OR SALE OF ST PRODUCTS INCLUDING WITHOUT LIMITATION IMPLIED WARRANTIES OF MERCHANTABILITY, FITNESS FOR A PARTICULAR PURPOSE (AND THEIR EQUIVALENTS UNDER THE LAWS OF ANY JURISDICTION), OR INFRINGEMENT OF ANY PATENT, COPYRIGHT OR OTHER INTELLECTUAL PROPERTY RIGHT.**

**ST PRODUCTS ARE NOT DESIGNED OR AUTHORIZED FOR USE IN: (A) SAFETY CRITICAL APPLICATIONS SUCH AS LIFE SUPPORTING, ACTIVE IMPLANTED DEVICES OR SYSTEMS WITH PRODUCT FUNCTIONAL SAFETY REQUIREMENTS; (B) AERONAUTIC APPLICATIONS; (C) AUTOMOTIVE APPLICATIONS OR ENVIRONMENTS, AND/OR (D) AEROSPACE APPLICATIONS OR ENVIRONMENTS. WHERE ST PRODUCTS ARE NOT DESIGNED FOR SUCH USE, THE PURCHASER SHALL USE PRODUCTS AT PURCHASER'S SOLE RISK, EVEN IF ST HAS BEEN INFORMED IN WRITING OF SUCH USAGE, UNLESS A PRODUCT IS EXPRESSLY DESIGNATED BY ST AS BEING INTENDED FOR "AUTOMOTIVE, AUTOMOTIVE SAFETY OR MEDICAL" INDUSTRY DOMAINS ACCORDING TO ST PRODUCT DESIGN SPECIFICATIONS. PRODUCTS FORMALLY ESCC, QML OR JAN QUALIFIED ARE DEEMED SUITABLE FOR USE IN AEROSPACE BY THE CORRESPONDING GOVERNMENTAL AGENCY.**

Resale of ST products with provisions different from the statements and/or technical features set forth in this document shall immediately void any warranty granted by ST for the ST product or service described herein and shall not create or extend in any manner whatsoever, any liability of ST.

ST and the ST logo are trademarks or registered trademarks of ST in various countries.

Information in this document supersedes and replaces all information previously supplied.

The ST logo is a registered trademark of STMicroelectronics. All other names are the property of their respective owners.

© 2014 STMicroelectronics - All rights reserved

STMicroelectronics group of companies

Australia - Belgium - Brazil - Canada - China - Czech Republic - Finland - France - Germany - Hong Kong - India - Israel - Italy - Japan - Malaysia - Malta - Morocco - Philippines - Singapore - Spain - Sweden - Switzerland - United Kingdom - United States of America

[www.st.com](http://www.st.com)

Компания «Life Electronics» занимается поставками электронных компонентов импортного и отечественного производства от производителей и со складов крупных дистрибьюторов Европы, Америки и Азии.

С конца 2013 года компания активно расширяет линейку поставок компонентов по направлению коаксиальный кабель, кварцевые генераторы и конденсаторы (керамические, пленочные, электролитические), за счёт заключения дистрибьюторских договоров

Мы предлагаем:

- Конкурентоспособные цены и скидки постоянным клиентам.
- Специальные условия для постоянных клиентов.
- Подбор аналогов.
- Поставку компонентов в любых объемах, удовлетворяющих вашим потребностям.
- Приемлемые сроки поставки, возможна ускоренная поставка.
- Доставку товара в любую точку России и стран СНГ.
- Комплексную поставку.
- Работу по проектам и поставку образцов.
- Формирование склада под заказчика.
- Сертификаты соответствия на поставляемую продукцию (по желанию клиента).
- Тестирование поставляемой продукции.
- Поставку компонентов, требующих военную и космическую приемку.
- Входной контроль качества.
- Наличие сертификата ISO.

В составе нашей компании организован Конструкторский отдел, призванный помогать разработчикам, и инженерам.

Конструкторский отдел помогает осуществить:

- Регистрацию проекта у производителя компонентов.
- Техническую поддержку проекта.
- Защиту от снятия компонента с производства.
- Оценку стоимости проекта по компонентам.
- Изготовление тестовой платы монтаж и пусконаладочные работы.



Тел: +7 (812) 336 43 04 (многоканальный)

Email: [org@lifeelectronics.ru](mailto:org@lifeelectronics.ru)