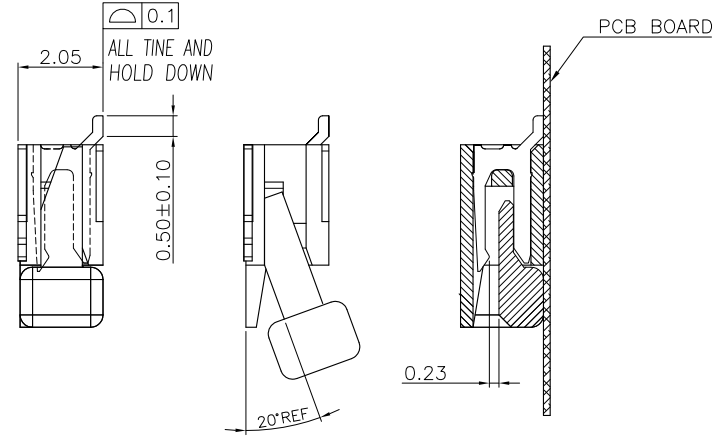
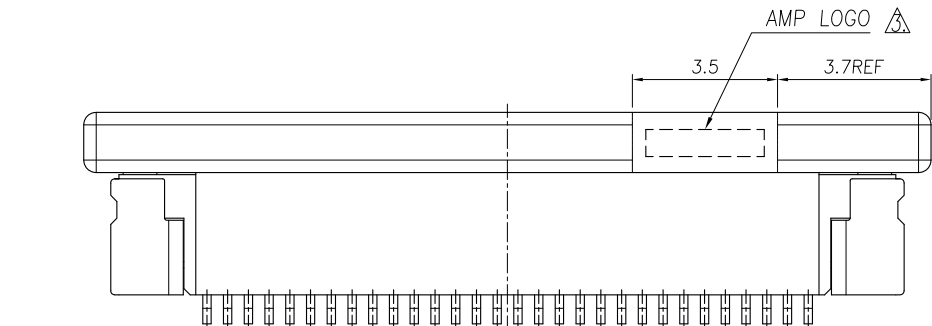
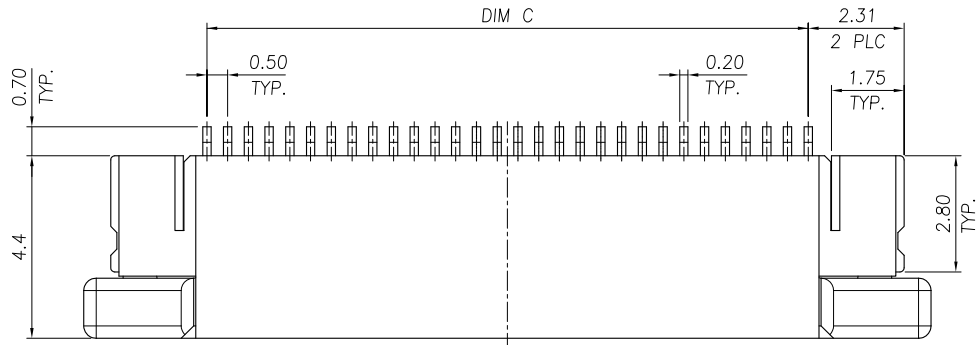


| LOC | DIST | REVISIONS   |                         |         |       |
|-----|------|-------------|-------------------------|---------|-------|
| P   | LTR  | DESCRIPTION | DATE                    | DWN     | APVD  |
| DW  | -    | C           | REVISED (ECR-13-003844) | 22APR13 | JL WK |



| 24.50      | 25.60 | 30.43 | 50   | 5-1734839-0 |
|------------|-------|-------|------|-------------|
| 24.00      | 25.10 | 29.93 | 49   | 4-1734839-9 |
| 23.50      | 24.60 | 29.43 | 48   | 4-1734839-8 |
| 23.00      | 24.10 | 28.93 | 47   | 4-1734839-7 |
| 22.50      | 23.60 | 28.43 | 46   | 4-1734839-6 |
| 22.00      | 23.10 | 27.63 | 45   | 4-1734839-5 |
| 21.50      | 22.60 | 27.43 | 44   | 4-1734839-4 |
| 21.00      | 22.10 | 26.93 | 43   | 4-1734839-3 |
| 20.50      | 21.60 | 26.43 | 42   | 4-1734839-2 |
| 20.00      | 21.10 | 25.93 | 41   | 4-1734839-1 |
| 19.50      | 20.60 | 25.43 | 40   | 4-1734839-0 |
| 19.00      | 20.10 | 24.93 | 39   | 3-1734839-9 |
| 18.50      | 19.60 | 24.43 | 38   | 3-1734839-8 |
| 18.00      | 19.10 | 23.93 | 37   | 3-1734839-7 |
| 17.50      | 18.60 | 23.43 | 36   | 3-1734839-6 |
| 17.00      | 18.10 | 22.93 | 35   | 3-1734839-5 |
| 16.50      | 17.60 | 22.43 | 34   | 3-1734839-4 |
| 16.00      | 17.10 | 21.93 | 33   | 3-1734839-3 |
| 15.50      | 16.60 | 21.43 | 32   | 3-1734839-2 |
| 15.00      | 16.10 | 20.93 | 31   | 3-1734839-1 |
| 14.50      | 15.60 | 20.43 | 30   | 3-1734839-0 |
| 14.00      | 15.10 | 19.93 | 29   | 2-1734839-9 |
| 13.50      | 14.60 | 19.43 | 28   | 2-1734839-8 |
| 13.00      | 14.10 | 18.93 | 27   | 2-1734839-7 |
| 12.50      | 13.60 | 18.43 | 26   | 2-1734839-6 |
| 12.00      | 13.10 | 17.93 | 25   | 2-1734839-5 |
| 11.50      | 12.60 | 17.43 | 24   | 2-1734839-4 |
| 11.00      | 12.10 | 16.93 | 23   | 2-1734839-3 |
| 10.50      | 11.60 | 16.43 | 22   | 2-1734839-2 |
| 10.00      | 11.10 | 15.93 | 21   | 2-1734839-1 |
| 9.50       | 10.60 | 15.43 | 20   | 2-1734839-0 |
| 9.00       | 10.10 | 14.93 | 19   | 1-1734839-9 |
| 8.50       | 9.60  | 14.43 | 18   | 1-1734839-8 |
| 8.00       | 9.10  | 13.93 | 17   | 1-1734839-7 |
| 7.50       | 8.60  | 13.43 | 16   | 1-1734839-6 |
| 7.00       | 8.10  | 12.93 | 15   | 1-1734839-5 |
| 6.50       | 7.60  | 12.43 | 14   | 1-1734839-4 |
| 6.00       | 7.10  | 11.93 | 13   | 1-1734839-3 |
| 5.50       | 6.60  | 11.43 | 12   | 1-1734839-2 |
| 5.00       | 6.10  | 10.93 | 11   | 1-1734839-1 |
| 4.50       | 5.60  | 10.43 | 10   | 1-1734839-0 |
| 4.00       | 5.10  | 9.93  | 09   | 0-1734839-9 |
| 3.50       | 4.60  | 9.43  | 08   | 0-1734839-8 |
| 3.00       | 4.10  | 8.93  | 07   | 0-1734839-7 |
| 2.50       | 3.60  | 8.43  | 06   | 0-1734839-6 |
| 2.00       | 3.10  | 7.93  | 05   | 0-1734839-5 |
| C          | B     | A     | POS. | PART NUMBER |
| DIMENSIONS |       |       |      |             |

NOTE:  
 1. MATERIAL:  
 HOUSING: HIGH TEMP. THERMOPLASTIC, UL 94V-0, COLOR: NATURE.  
 ACTUATOR: THERMOPLASTIC, UL 94 V-0, COLOR: IVORY.  
 HOLD DOWN: PHOSPHOR BRONZE.  
 CONTACT: PHOSPHOR BRONZE.  
 2. FINISH:  
 CONTACT: GOLD FLASH OVER ALL  
 50" MIN. NICKEL UNDERPLATED.  
 HOLD DOWN: 100u" MIN. TIN PLATING ON SOLDER AREA,  
 50u" MIN. NICKEL UNDERPLATED ALL OVER.  
 ⚠ WITHOUT AMP LOGO FOR 12 POSITION UNDER.

|  |  |  |   |                    |
|--|--|--|---|--------------------|
| THIS DRAWING IS A CONTROLLED DOCUMENT. |  | DWN<br>J. LAI<br>15APR2009             | TE Connectivity                                       |                    |
|  |  | CHK<br>S. CHIEN<br>15APR2009           |   |                    |
| DIMENSIONS:<br>MM                      |  | APVD<br>W. KODAMA<br>15APR2009         | NAME  |                    |
|  |  | PRODUCT SPEC<br>108-57523              | FPC CONNECTOR, 0.5mm PITCH,<br>TOP CONTACT, SMT TYPE. |                    |
| TOLERANCES UNLESS OTHERWISE SPECIFIED: |  | QUALIFICATION TEST REPORT<br>501-57598 | RESTRICTED TO   |                    |
| MATERIAL<br>SEE NOTE                   |  | WEIGHT<br>- GRAMS                      | SIZE<br>A3  | CAGE CODE<br>00779 |
| FINISH<br>SEE NOTE                     |  | CUSTOMER DRAWING                       | DRAWING NO<br>C=1734839                               | SCALE<br>-         |
|  |  | SHEET<br>1 OF 3                        |   | REV<br>C           |

THIS DRAWING IS UNPUBLISHED.

RELEASED FOR PUBLICATION

AUG ,2006.

© COPYRIGHT BY TYCO ELECTRONICS CORPORATION.

ALL RIGHTS RESERVED.

LOC DW

DIST

REVISIONS

P

LTR

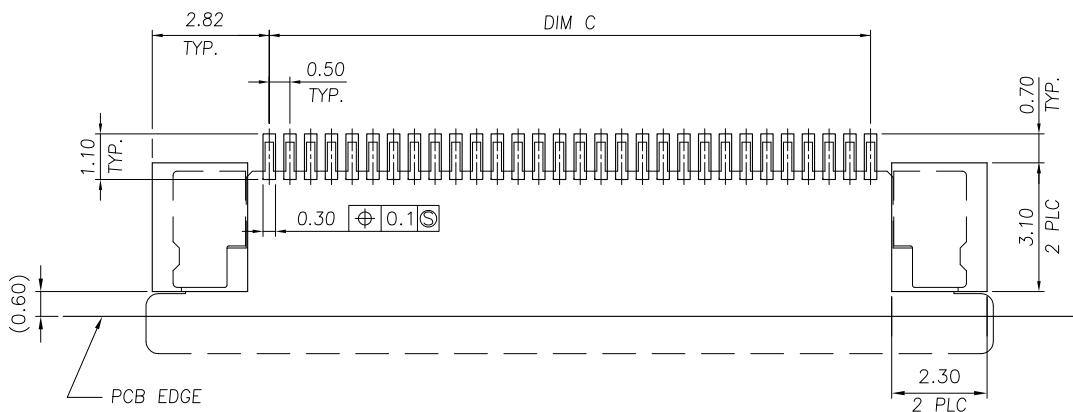
DESCRIPTION

DATE

DWN

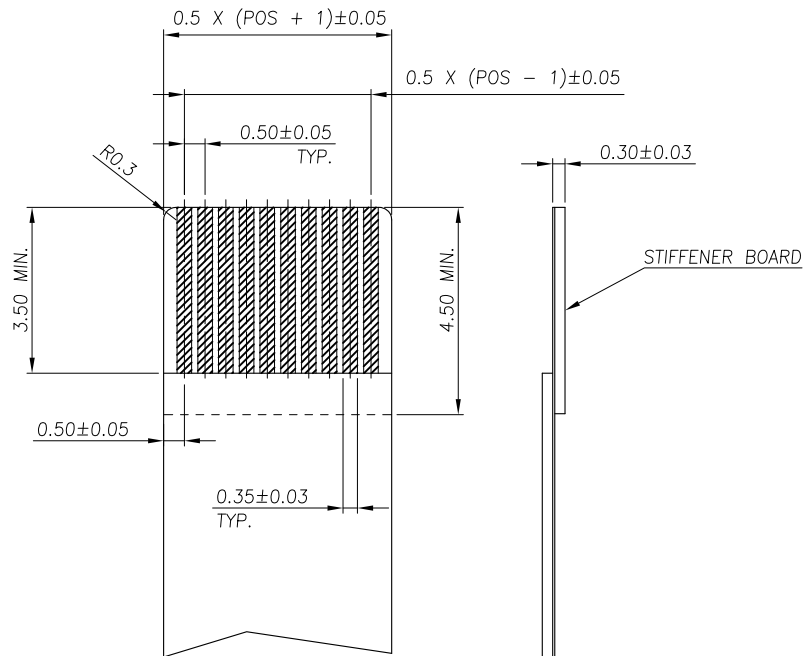
APVD

SEE SHEET 1.



RECOMMENDED PCB DIMENSIONS DIAGRAM

TOLERANCE: ±0.05



RECOMMENDED FPC DIMENSIONS DIAGRAM

|  |  |                  |  |  |  |
|--|--|------------------|--|--|--|
| THIS DRAWING IS A CONTROLLED DOCUMENT. |  | DWN              |  | <b>STE</b> TE Connectivity                         |  |
| DIMENSIONS: MM                         |  | CHK              |  |  |  |
| TOLERANCES UNLESS OTHERWISE SPECIFIED: |  | APVD             |  | NAME   |  |
| 0 PLC ± -                              |  | PRODUCT SPEC     |  | FPC CONNECTOR, 0.5mm PITCH, TOP CONTACT, SMT TYPE. |  |
| 1 PLC ± -                              |  | APPLICATION SPEC |  | SIZE CAGE CODE DRAWING NO RESTRICTED TO            |  |
| 2 PLC ± -                              |  | WEIGHT           |  | A3 00779 C=1734839                                 |  |
| 3 PLC ± -                              |  | CUSTOMER DRAWING |  | SCALE SHEET 2 OF 3 REV C                           |  |
| 4 PLC ± -                              |  |                  |  |  |  |
| ANGLES ± -                             |  |                  |  |  |  |
| MATERIAL                               |  |                  |  |  |  |
| FINISH                                 |  |                  |  |  |  |

THIS DRAWING IS UNPUBLISHED. RELEASED FOR PUBLICATION AUG, 2006.

© COPYRIGHT BY TYCO ELECTRONICS CORPORATION. ALL RIGHTS RESERVED.

| LOC          |     | DIST        |      | REVISIONS |      |  |  |
|--------------|-----|-------------|------|-----------|------|--|--|
| P            | LTR | DESCRIPTION | DATE | DWN       | APVD |  |  |
| SEE SHEET 1. |     |             |      |           |      |  |  |



NOTE :

- 1. TAPE REEL:  
DIAMETER: 13", THICKNESS : 0.35±0.05mm.
- 2. CARTON:  
SIZE: 350mm(L)X 350mm(W)X 340mm(H).
- 3. WEIGHT:  
NET WEIGHT: 7.5kg  
GROSS WEIGHT: 13.4kg

| APQ (PCS/CARTON) | PPQ (PCS/REEL) | D     | C     | B  | A | POS.        | PART NUMBER |
|------------------|----------------|-------|-------|----|---|-------------|-------------|
| 44.00            | 26.70          | 30.55 | 31.50 | 50 | 5 | 5-1734839-0 |             |
| 44.00            | 26.20          | 30.05 | 31.00 | 49 | 4 | 4-1734839-9 |             |
| 44.00            | 25.70          | 29.55 | 30.50 | 48 | 4 | 4-1734839-8 |             |
| 44.00            | 25.20          | 29.05 | 30.00 | 47 | 4 | 4-1734839-7 |             |
| 44.00            | 24.70          | 28.55 | 29.50 | 46 | 4 | 4-1734839-6 |             |
| 44.00            | 24.20          | 28.05 | 29.00 | 45 | 4 | 4-1734839-5 |             |
| 44.00            | 23.70          | 27.55 | 28.50 | 44 | 4 | 4-1734839-4 |             |
| 44.00            | 23.20          | 27.05 | 28.00 | 43 | 4 | 4-1734839-3 |             |
| 44.00            | 22.70          | 26.55 | 27.50 | 42 | 4 | 4-1734839-2 |             |
| 44.00            | 22.20          | 26.05 | 27.00 | 41 | 4 | 4-1734839-1 |             |
| 44.00            | 21.70          | 25.55 | 26.50 | 40 | 4 | 4-1734839-0 |             |
| 44.00            | 21.20          | 25.05 | 26.00 | 39 | 3 | 3-1734839-9 |             |
| 44.00            | 20.70          | 24.55 | 25.50 | 38 | 3 | 3-1734839-8 |             |
| 44.00            | 20.20          | 24.05 | 25.00 | 37 | 3 | 3-1734839-7 |             |
| 44.00            | 19.70          | 23.55 | 24.50 | 36 | 3 | 3-1734839-6 |             |
| 44.00            | 19.20          | 23.05 | 24.00 | 35 | 3 | 3-1734839-5 |             |
| 44.00            | 18.70          | 22.55 | 23.50 | 34 | 3 | 3-1734839-4 |             |
| 44.00            | 18.20          | 22.05 | 23.00 | 33 | 3 | 3-1734839-3 |             |
| 44.00            | 17.70          | 21.55 | 22.50 | 32 | 3 | 3-1734839-2 |             |
| 44.00            | 17.20          | 21.05 | 22.00 | 31 | 3 | 3-1734839-1 |             |
| 32.00            | 16.70          | 20.55 | 21.50 | 30 | 3 | 3-1734839-0 |             |
| 32.00            | 16.20          | 20.05 | 21.00 | 29 | 2 | 2-1734839-9 |             |
| 32.00            | 15.70          | 19.55 | 20.50 | 28 | 2 | 2-1734839-8 |             |
| 32.00            | 15.20          | 19.05 | 20.00 | 27 | 2 | 2-1734839-7 |             |
| 32.00            | 14.70          | 18.55 | 19.50 | 26 | 2 | 2-1734839-6 |             |
| 32.00            | 14.20          | 18.05 | 19.00 | 25 | 2 | 2-1734839-5 |             |
| 32.00            | 13.70          | 17.55 | 18.50 | 24 | 2 | 2-1734839-4 |             |
| 32.00            | 13.20          | 17.05 | 18.00 | 23 | 2 | 2-1734839-3 |             |
| 32.00            | 12.70          | 16.55 | 17.50 | 22 | 2 | 2-1734839-2 |             |
| 32.00            | 12.20          | 16.05 | 17.00 | 21 | 2 | 2-1734839-1 |             |
| 24.00            | 11.70          | 15.55 | 16.50 | 20 | 2 | 2-1734839-0 |             |
| 24.00            | 11.20          | 15.05 | 16.00 | 19 | 1 | 1-1734839-9 |             |
| 24.00            | 10.70          | 14.55 | 15.50 | 18 | 1 | 1-1734839-8 |             |
| 24.00            | 10.20          | 14.05 | 15.00 | 17 | 1 | 1-1734839-7 |             |
| 24.00            | 9.70           | 13.55 | 14.50 | 16 | 1 | 1-1734839-6 |             |
| 24.00            | 9.20           | 13.05 | 14.00 | 15 | 1 | 1-1734839-5 |             |
| 24.00            | 8.70           | 12.55 | 13.50 | 14 | 1 | 1-1734839-4 |             |
| 24.00            | 8.20           | 12.05 | 13.00 | 13 | 1 | 1-1734839-3 |             |
| 24.00            | 7.70           | 11.55 | 12.50 | 12 | 1 | 1-1734839-2 |             |
| 24.00            | 7.20           | 11.05 | 12.00 | 11 | 1 | 1-1734839-1 |             |
| 24.00            | 6.70           | 10.55 | 11.50 | 10 | 1 | 1-1734839-0 |             |
| 24.00            | 6.20           | 10.05 | 11.00 | 09 | 0 | 0-1734839-9 |             |
| 24.00            | 5.70           | 9.55  | 10.50 | 08 | 0 | 0-1734839-8 |             |
| 24.00            | 5.20           | 9.05  | 10.00 | 07 | 0 | 0-1734839-7 |             |
| 24.00            | 4.70           | 8.55  | 9.50  | 06 | 0 | 0-1734839-6 |             |
| 24.00            | 4.20           | 8.05  | 9.00  | 05 | 0 | 0-1734839-5 |             |

THIS DRAWING IS A CONTROLLED DOCUMENT.

|                |  |                  |      |      |  |
|----------------|--|------------------|------|------|--|
| DIMENSIONS: MM | TOLERANCES UNLESS OTHERWISE SPECIFIED: | DWN              | CHK  | APVD | NAME   |
| 0 PLC ± -      | 1 PLC ± -                              | PRODUCT SPEC     | APVD | NAME | FPC CONNECTOR, 0.5mm PITCH, TOP CONTACT, SMT TYPE. |
| 2 PLC ± -      | 3 PLC ± -                              | APPLICATION SPEC | APVD | NAME |  |
| 4 PLC ± -      | ANGLES ± -                             | WEIGHT           | APVD | NAME | SIZE   |
| MATERIAL       | FINISH                                 | CUSTOMER DRAWING | APVD | NAME | CAGE CODE  |
|                |  |                  | APVD | NAME | DRAWING NO   |
|                |  |                  | APVD | NAME | RESTRICTED TO                                      |

STE TE Connectivity

A3 00779 C=1734839

SCALE SHEET 3 OF 3 REV C

Компания «Life Electronics» занимается поставками электронных компонентов импортного и отечественного производства от производителей и со складов крупных дистрибьюторов Европы, Америки и Азии.

С конца 2013 года компания активно расширяет линейку поставок компонентов по направлению коаксиальный кабель, кварцевые генераторы и конденсаторы (керамические, пленочные, электролитические), за счёт заключения дистрибьюторских договоров

Мы предлагаем:

- Конкурентоспособные цены и скидки постоянным клиентам.
- Специальные условия для постоянных клиентов.
- Подбор аналогов.
- Поставку компонентов в любых объемах, удовлетворяющих вашим потребностям.
- Приемлемые сроки поставки, возможна ускоренная поставка.
- Доставку товара в любую точку России и стран СНГ.
- Комплексную поставку.
- Работу по проектам и поставку образцов.
- Формирование склада под заказчика.
- Сертификаты соответствия на поставляемую продукцию (по желанию клиента).
- Тестирование поставляемой продукции.
- Поставку компонентов, требующих военную и космическую приемку.
- Входной контроль качества.
- Наличие сертификата ISO.

В составе нашей компании организован Конструкторский отдел, призванный помогать разработчикам, и инженерам.

Конструкторский отдел помогает осуществить:

- Регистрацию проекта у производителя компонентов.
- Техническую поддержку проекта.
- Защиту от снятия компонента с производства.
- Оценку стоимости проекта по компонентам.
- Изготовление тестовой платы монтаж и пусконаладочные работы.



Тел: +7 (812) 336 43 04 (многоканальный)  
Email: [org@lifeelectronics.ru](mailto:org@lifeelectronics.ru)