

Features

- Floating channel designed for bootstrap operation
- Fully operational to +600 V
- Tolerant to negative transient voltage, dV/dt immune
- Gate drive supply range from 10V to 20V
- Undervoltage lockout for both channels
- 3.3V and 5V input logic compatible
- Matched propagation delay for both channels
- Lower di/dt gate driver for better noise immunity
- Output source/sink current capability of 1.9A/2.3A typical
- Leadfree, RoHS compliant
- Automotive qualified*

Typical Applications

- Piezo injection
- Electric Power Steering
- Fan and compressor
- Starter/alternator

Product Summary

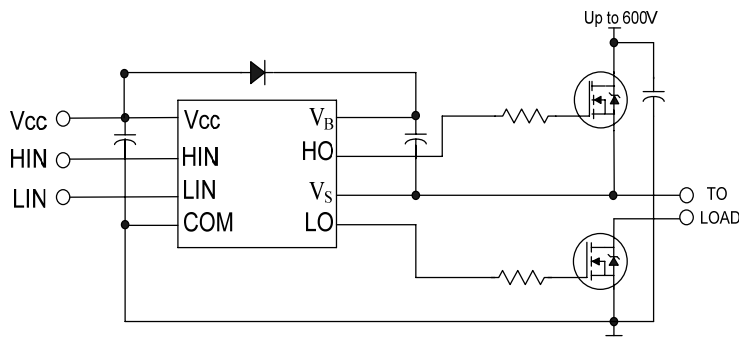
Topology	High and Low Side Driver
V_{OFFSET}	$\leq 600\text{V}$
V_{OUT}	10V – 20V
$I_{\text{o+}}$ & $I_{\text{o-}}$ (typical)	1.9A & 2.3A
t_{on} & t_{off} (typical)	135ns

Package Options



8 - Lead SOIC
AUIRS21811S

Typical Connection Diagram



AUIRS21811S

(Refer to Lead Assignments for correct pin configuration). This/These diagram(s) show electrical connections only. Please refer to our Application Notes and Design Tips for proper circuit board layout.

Table of Contents	Page
Typical Connection Diagram	1
Description/Feature Comparison	3
Qualification Information	4
Absolute Maximum Ratings	5
Recommended Operating Conditions	5
Dynamic Electrical Characteristics	6
Static Electrical Characteristics	6
Functional Block Diagram	7
Input/Output Pin Equivalent Circuit Diagram	8
Lead Definitions	9
Lead Assignments	9
Application Information and Additional Details	10
Parameter Temperature Trends	11-13
Package Details	14
Tape and Reel Details	15
Part Marking Information	16
Ordering Information	17
Important Notice	18

Description

The AUIRS21811S is a high voltage, high speed power MOSFET and IGBT driver with independent high and low side referenced output channels. Proprietary HVIC and latch immune CMOS technologies enable ruggedized monolithic construction. The logic input is compatible with standard CMOS or LSTTL output, down to 3.3 V logic. The output drivers feature a high pulse current buffer stage. The floating channel can be used to drive an N-channel power MOSFET or IGBT in the high-side configuration which operates up to 600V.

Feature Comparison: AUIRS21811/AUIRS2181/AUIRS2183/AUIRS2184

Part	Input Logic	Cross-Conduction Prevention logic	Dead-Time	Ground Pins	Ton/Toff (typical)
21811	HIN/LIN	No	none	COM	135/135 ns
2181	HIN/LIN	No	none	COM	160/200 ns
21814				V _{SS} /COM	
2183	HIN/LIN	Yes	Internal 500ns	COM	180/220 ns
21834			Programmable 0.4 – 5 us	V _{SS} /COM	
2184	IN/SD	Yes	Internal 500ns	COM	600/230 ns
21844			Programmable 0.4 – 5 us	V _{SS} /COM	

Qualification Information[†]

Qualification Level		Automotive (per AEC-Q100 ^{††})
		Comments: This family of ICs has passed an Automotive qualification. IR's Industrial and Consumer qualification level is granted by extension of the higher Automotive level.
Moisture Sensitivity Level		MSL3 ^{†††} 260°C (per IPC/JEDEC J-STD-020)
ESD	Machine Model	Class M3 (Pass +/-250V) (per AEC-Q100-003)
	Human Body Model	Class H2 (Pass +/-2500V) (per AEC-Q100-002)
	Charged Device Model	Class C5 (Pass +/-1250V) (per AEC-Q100-011)
RoHS Compliant		Yes

† Qualification standards can be found at International Rectifier's web site <http://www.irf.com/>

†† Exceptions to AEC-Q100 requirements are noted in the qualification report.

††† Higher MSL ratings may be available for the specific package types listed here. Please contact your International Rectifier sales representative for further information.

Absolute Maximum Ratings

Absolute Maximum Ratings indicate sustained limits beyond which damage to the device may occur. All voltage parameters are absolute voltages referenced to COM lead. Stresses beyond those listed under "Absolute Maximum Ratings" may cause permanent damage to the device. These are stress ratings only; and functional operation of the device at these or any other condition beyond those indicated in the "Recommended Operating Conditions" is not implied. Exposure to absolute-maximum-rated conditions for extended periods may affect device reliability. The thermal resistance and power dissipation ratings are measured under board mounted and still air conditions. Ambient temperature (T_A) is 25°C, unless otherwise specified.

Symbol	Definition	Min	Max	Units
V_B	High side floating absolute voltage	-0.3	620	V
V_S	High side floating supply offset voltage	$V_B - 25$	$V_B + 0.3$	
V_{HO}	High side floating output voltage	$V_S - 0.3$	$V_B + 0.3$	
V_{CC}	Low side and logic fixed supply voltage	-0.3	20	
V_{LO}	Low side output voltage	-0.3	$V_{CC} + 0.3$	
V_{IN}	Logic input voltage (HIN & LIN)	COM - 0.3	$V_{CC} + 0.3$	
dV_S/dt	Allowable offset supply voltage transient	—	50	V/ns
P_D	Package power dissipation @ $T_A \leq 25^\circ\text{C}$	—	0.625	W
R_{thJA}	Thermal resistance, junction to ambient	—	200	°C/W
T_J	Junction temperature	—	150	°C
T_S	Storage temperature	-50	150	
T_L	Lead temperature (soldering, 10 seconds)	—	300	

Recommended Operating Conditions

The Input/Output logic timing diagram is shown in Figure 1. For proper operation the device should be used within the recommended conditions. V_S and offset rating are tested with all supplies biased at 15V differential.

Symbol	Definition	Min	Max	Units
V_B	High side floating supply absolute voltage	$V_S + 10$	$V_S + 20$	V
V_S	High side floating supply offset voltage	†	600	
V_{HO}	High side floating output voltage	V_S	V_B	
V_{CC}	Low side and logic fixed supply voltage	10	20	
V_{LO}	Low side output voltage	0	V_{CC}	
V_{IN}	Logic input voltage (HIN & LIN)	COM	V_{CC}	
T_A	Ambient temperature	-40	125	°C

† Logic operational for V_S of -5V to +600V. Logic state held for V_S of -5V to $-V_{BS}$. (Please refer to Figure 4 for more details).

Dynamic Electrical Characteristics

Unless otherwise noted, these specifications apply for an operating junction temperature range of $-40^{\circ}\text{C} \leq T_j \leq 125^{\circ}\text{C}$ with bias conditions of $V_{CC} = V_{BS} = 15\text{V}$, $V_S = \text{COM}$, $C_L = 1000\text{pF}$.

Symbol	Definition	Min	Typ	Max	Units	Test Conditions
t_{on}	Turn-on propagation delay	—	135	230	ns	$V_S = 0\text{V}$
t_{off}	Turn-off propagation delay	—	135	230		$V_S = 0\text{V}$ or 600V
MT	Delay matching, HO & LO turn-on/off	—	—	35		
t_r	Turn-on rise time	—	—	60		$V_S = 0\text{V}$
t_f	Turn-off fall time	—	—	35		$V_S = 0\text{V}$

Static Electrical Characteristics

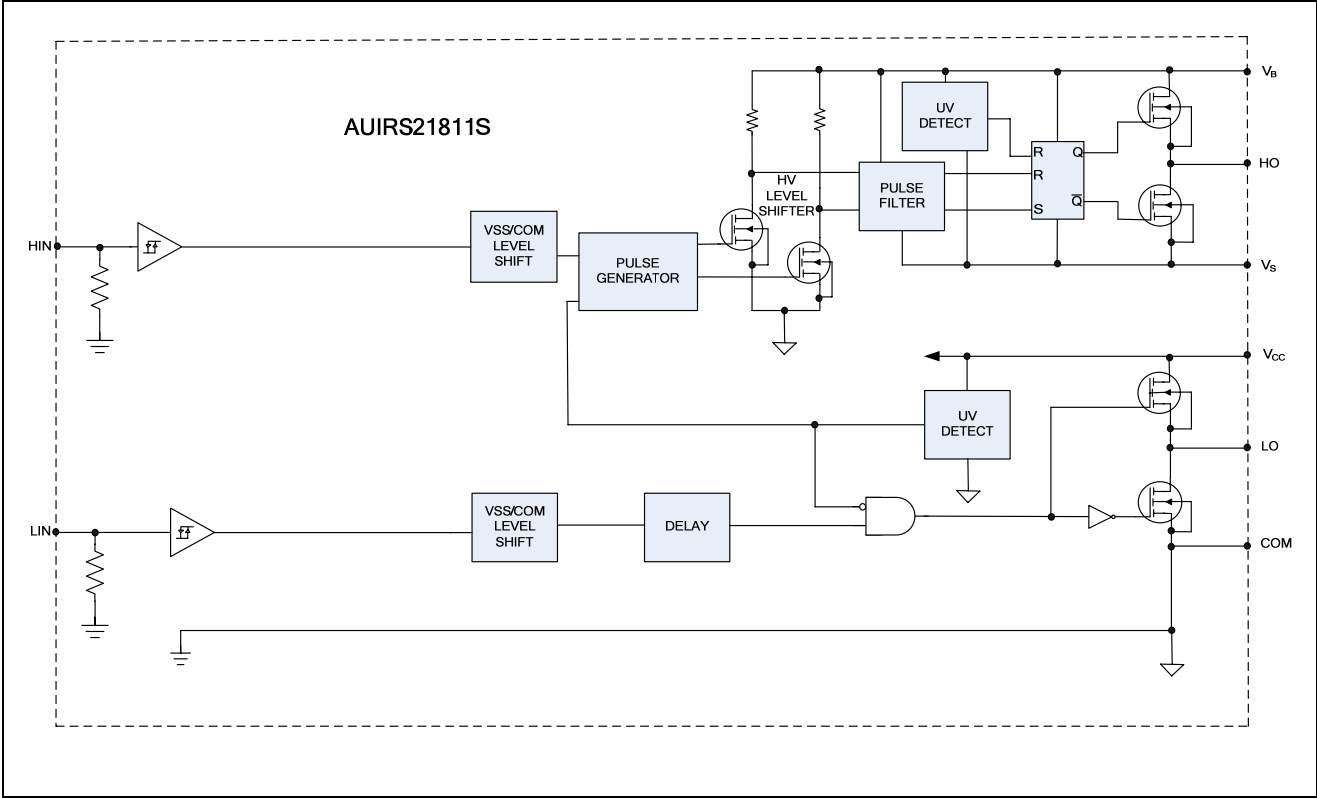
Unless otherwise noted, these specifications apply for an operating junction temperature range of $-40^{\circ}\text{C} \leq T_j \leq 125^{\circ}\text{C}$ with bias conditions of $V_{CC} = V_{BS} = 15\text{V}$ and $V_S = \text{COM}$. The V_{IN} and I_{IN} parameters are referenced to V_{SS}/COM and are applicable to the respective input leads: HIN and LIN. The V_O and I_O parameters are referenced to V_S/COM and are applicable to the respective output leads: HO and LO.

Symbol	Definition	Min	Typ	Max	Units	Test Conditions	
V_{IH}	Logic "1" input voltage	2.5	—	—	V	$V_{CC} = 10\text{V}$ to 20V	
V_{IL}	Logic "0" input voltage	—	—	0.8			
V_{OH}	High level output voltage, $V_{BIAS} - V_O$	—	—	1.4			$I_O = 0\text{mA}$
V_{OL}	Low level output voltage, V_O	—	—	0.2			$I_O = 20\text{mA}$
I_{LK}	Offset supply leakage current	—	—	50	μA	$V_B = V_S = 600\text{V}$	
I_{QBS}	Quiescent V_{BS} supply current	25	80	200		$V_{IN} = 0\text{V}$ or 5V	
I_{QCC}	Quiescent V_{CC} supply current	55	130	260			
I_{IN+}	Logic "1" input bias current	—	25	60			$V_{IN} = 5\text{V}$
I_{IN-}	Logic "0" input bias current	—	—	1.0			$V_{IN} = 0\text{V}$
V_{CCUV+} V_{BSUV+}	V_{CC} and V_{BS} supply undervoltage positive going threshold	8.0	8.9	9.8	V		
V_{CCUV-} V_{BSUV-}	V_{CC} and V_{BS} supply undervoltage negative going threshold	7.4	8.2	9.0			
V_{CCUVH} V_{BSUVH}	V_{CC} and V_{BS} supply undervoltage Hysteresis	0.3	0.7	—			
$I_{O25+}^{(†)}$	Output high short circuit pulsed current	1.4	1.9	—	A	$V_O = 0\text{V}$, $PW \leq 10\mu\text{s}$, $T_J = 25^{\circ}\text{C}$	
$I_{O25-}^{(†)}$	Output low short circuit pulsed current	1.8	2.3	—		$V_O = 15\text{V}$, $PW \leq 10\mu\text{s}$, $T_J = 25^{\circ}\text{C}$	
$I_{O+}^{(†)(††)}$	Output high short circuit pulsed current	1.2	—	—		$V_O = 0\text{V}$, $PW \leq 10\mu\text{s}$	
$I_{O-}^{(†)(††)}$	Output low short circuit pulsed current	1.5	—	—		$V_O = 15\text{V}$, $PW \leq 10\mu\text{s}$	

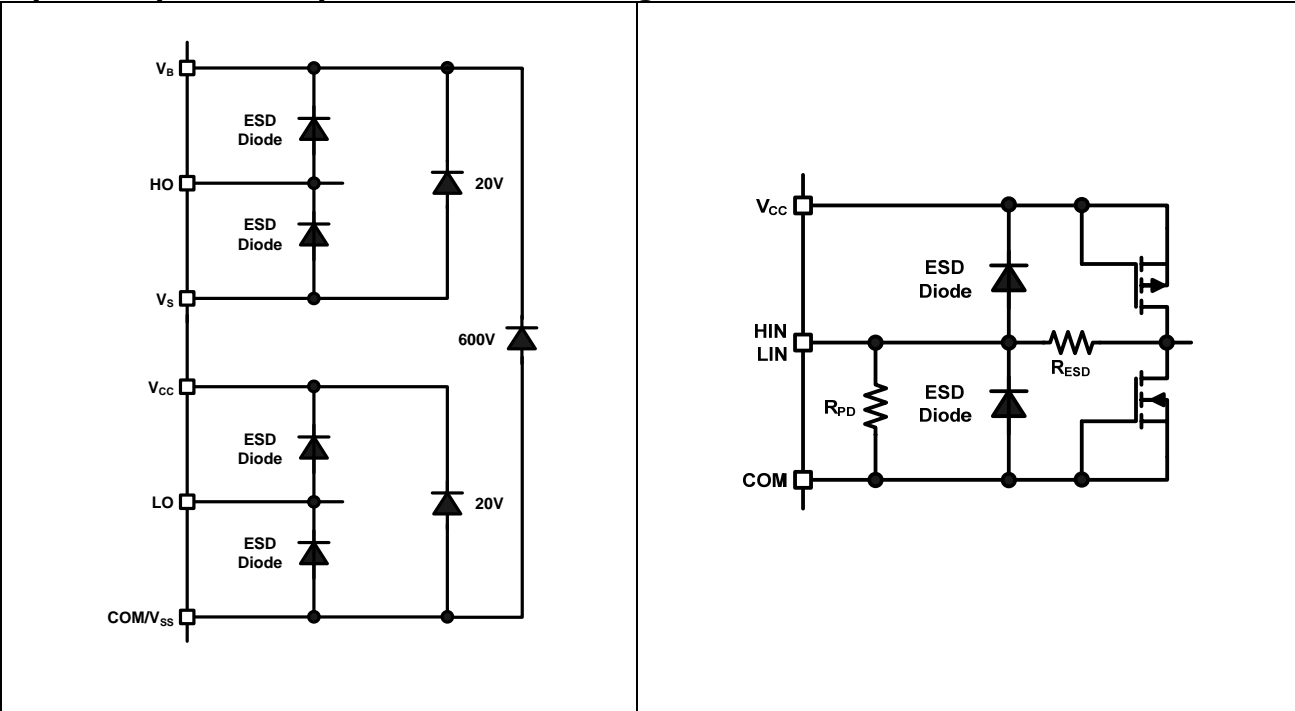
(†) Guaranteed by design

(††) I_{O+} and I_{O-} decrease with rising temperature

Functional Block Diagrams



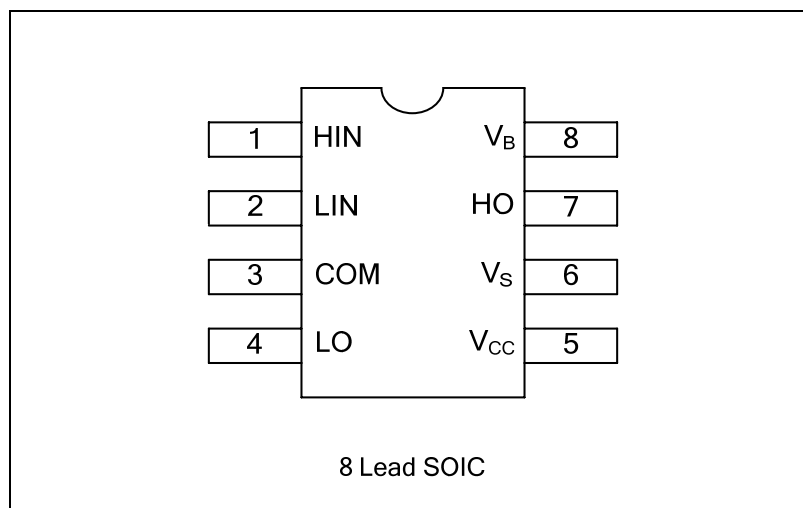
Input/Output Pin Equivalent Circuit Diagrams



Lead Definitions: AUIRS21811S

Pin#	Symbol	Description
1	HIN	Logic input for high-side driver output (HO), in phase
2	LIN	Logic input for low-side driver output (LO), in phase
3	COM	Low-side return
4	LO	Low-side gate drive output
5	V _{CC}	Low-side and logic fixed supply
6	V _S	High-side floating supply return
7	HO	High-side gate drive output
8	V _B	High-side floating supply

Lead Assignments



Application Information and Additional Details

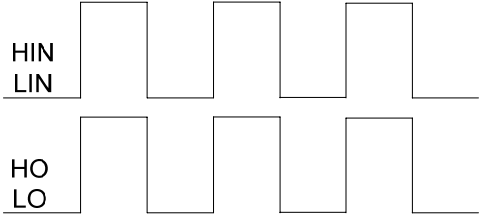


Figure 1. Input/Output Timing Diagram

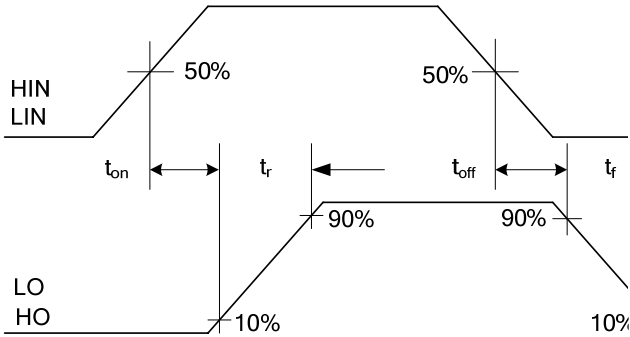


Figure 2. Switching Time Waveform Definitions

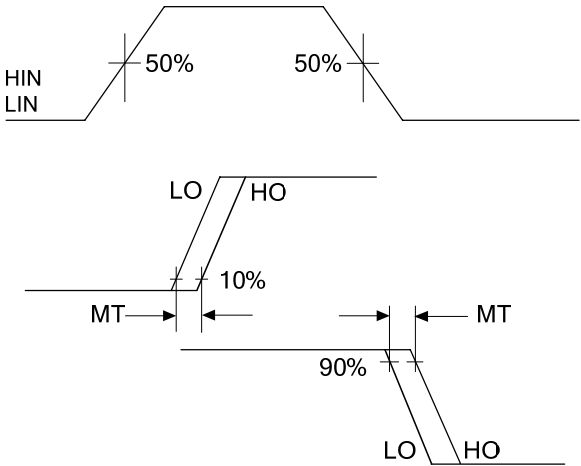


Figure 3. Delay Matching Waveform Definitions

Parameter Temperature Trends

Figures 4-16 provide information on the experimental performance of the AUIRS21811S HVIC. The line plotted in each figure is generated from actual lab data. A large number of individual samples were tested at three temperatures (-40 °C, 25 °C, and 125 °C) in order to generate the curves. Each line in the graphs consist of three data points (one data point at each of the tested temperatures) that have been connected together to illustrate the understood trend. The individual data points on the curve were determined by calculating the averaged experimental value of the parameter (for a given temperature).

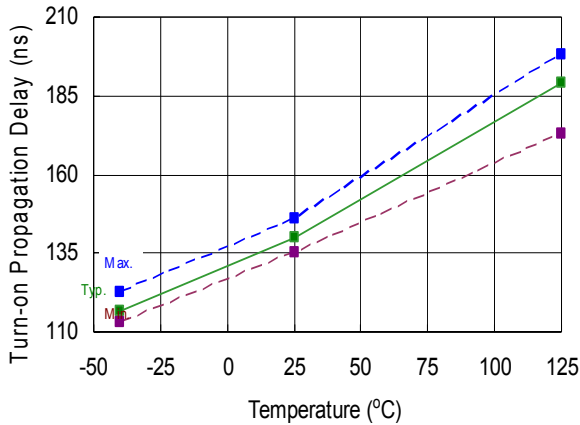


Figure 4. Turn-On Propagation Delay vs. Temperature

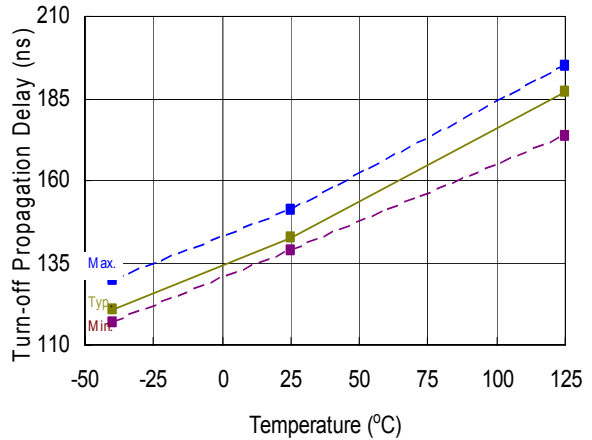


Figure 5. Turn-Off Propagation Delay vs. Temperature

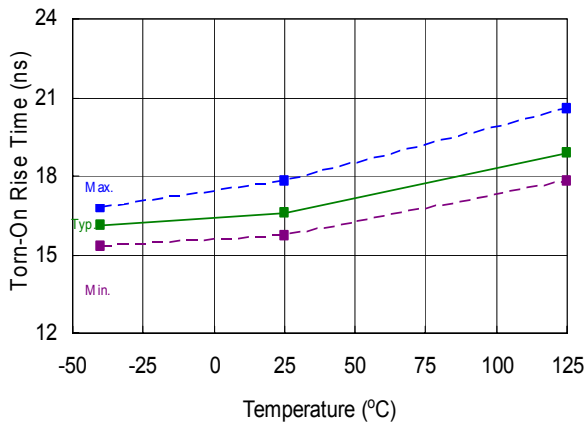


Figure 6. Turn-On Rise Time vs. Temperature

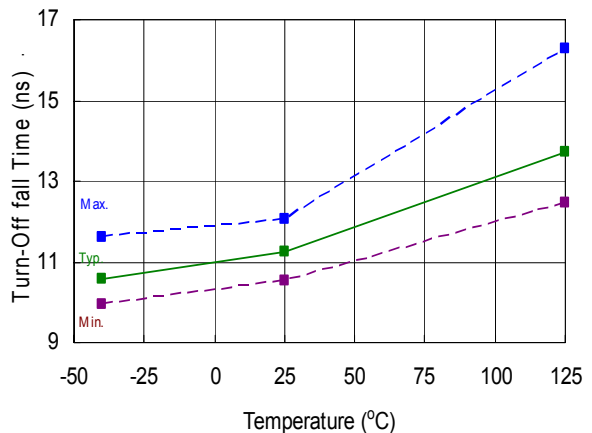


Figure 7. Turn-Off Fall Time vs. Temperature

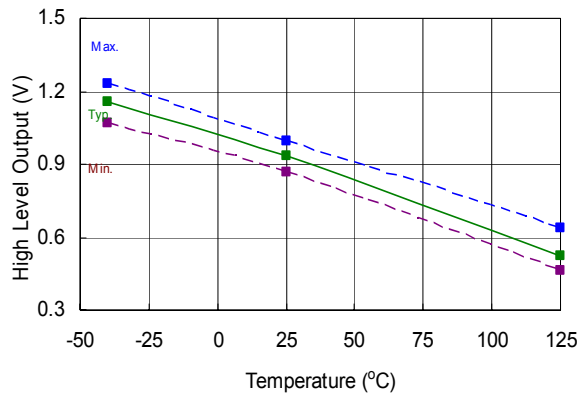


Figure 8. High Level Output Voltage vs. Temperature (Io = 0 mA)

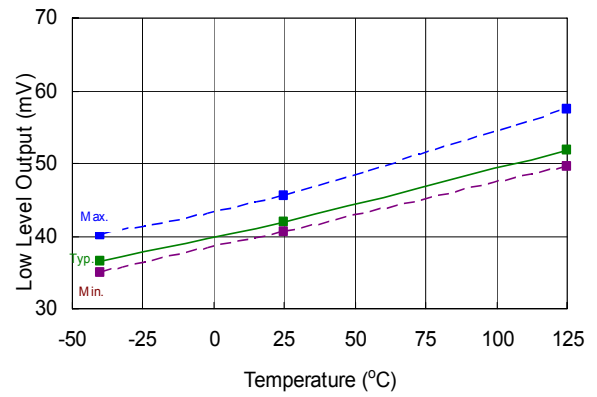


Figure 9. Low Level Output vs. Temperature

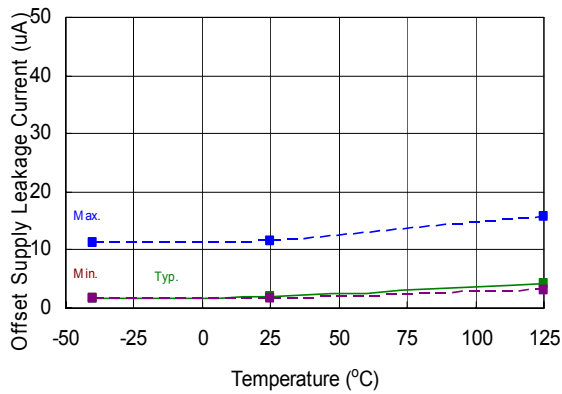


Figure 10. Offset Supply Leakage Current vs. Temperature

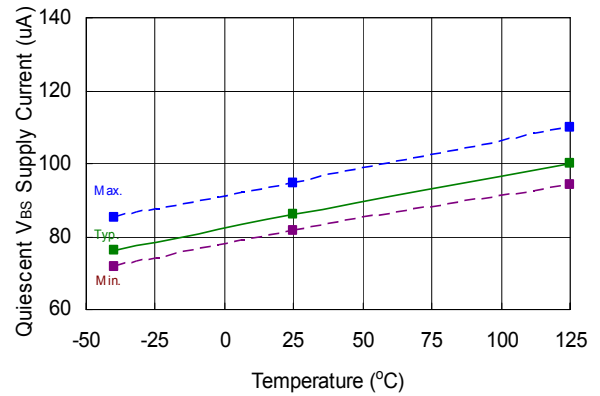


Figure 11. VBS Supply Current vs. Temperature

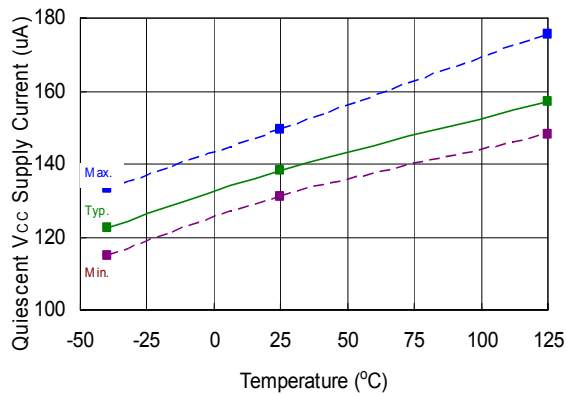


Figure 12. VCC Supply Current vs. Temperature

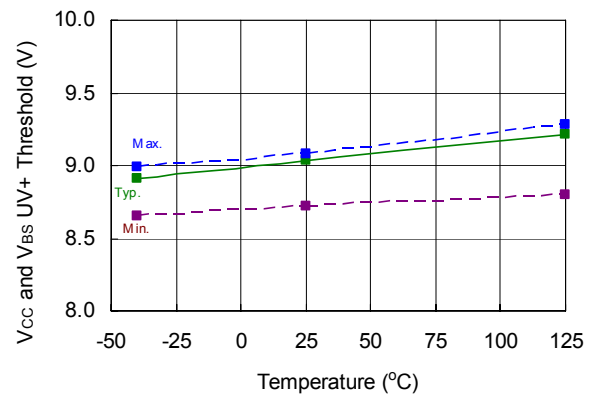


Figure 13. VCC Undervoltage Threshold (+) vs. Temperature

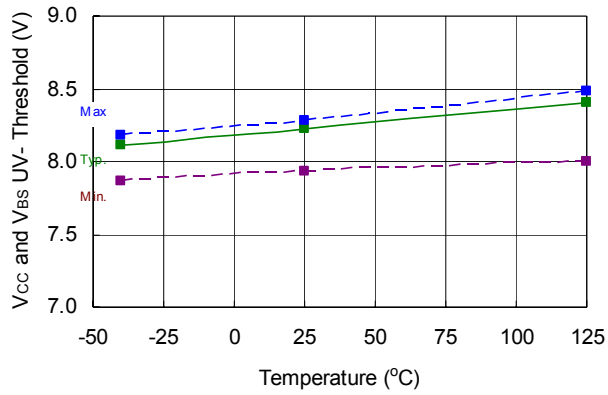


Figure 14. V_{CC} Undervoltage Threshold (-) vs. Temperature

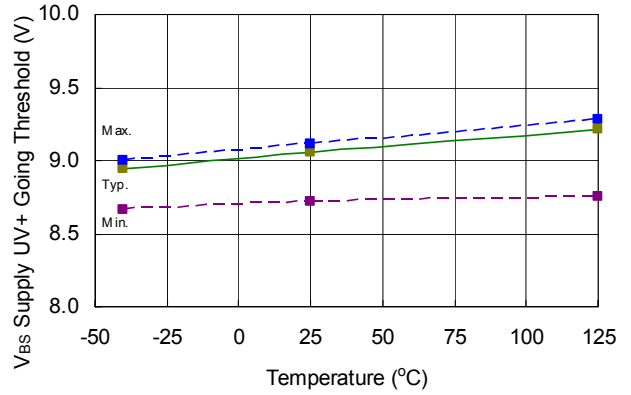


Figure 15. V_{BS} Undervoltage Threshold (+) vs. Temperature

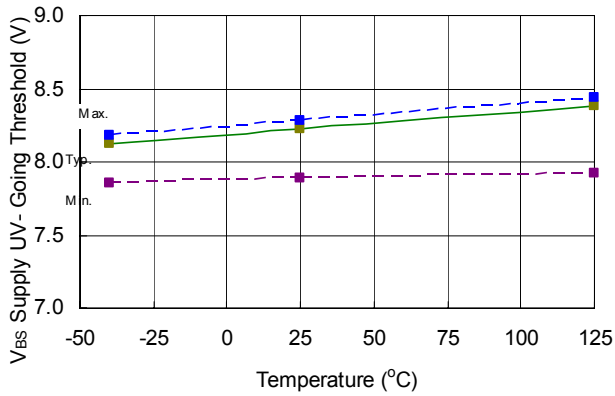
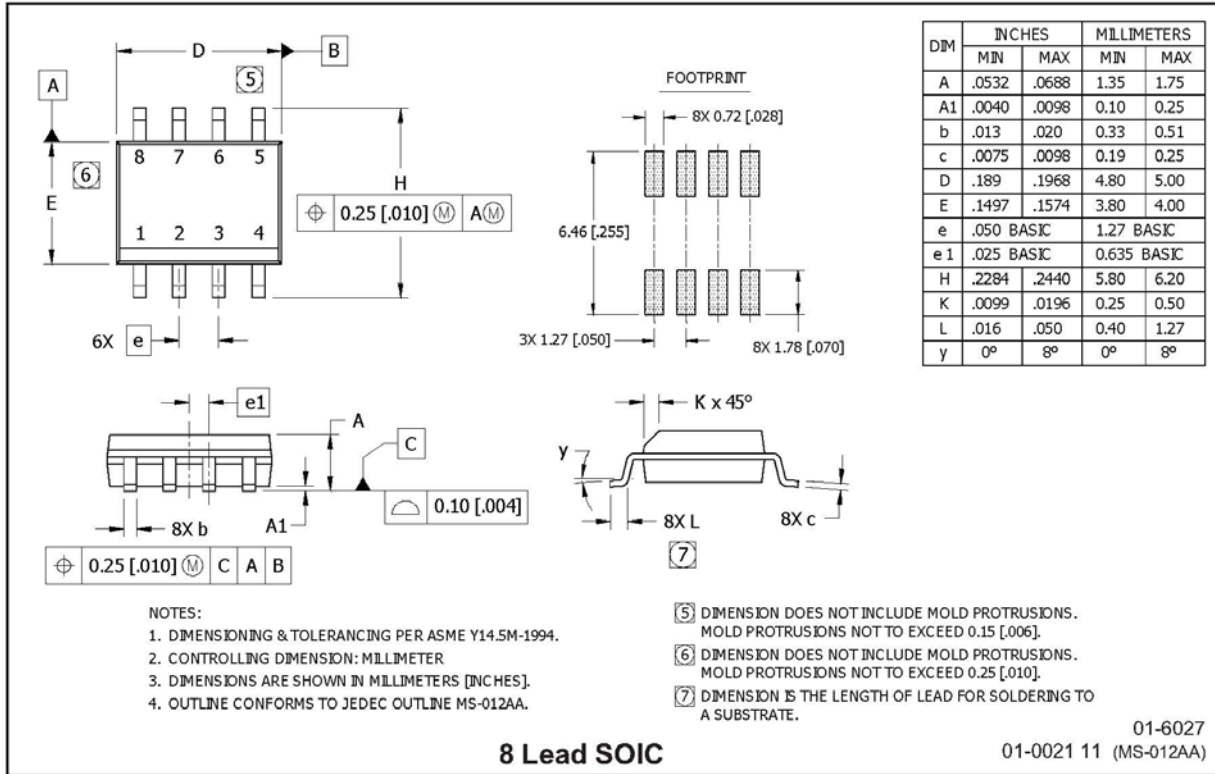
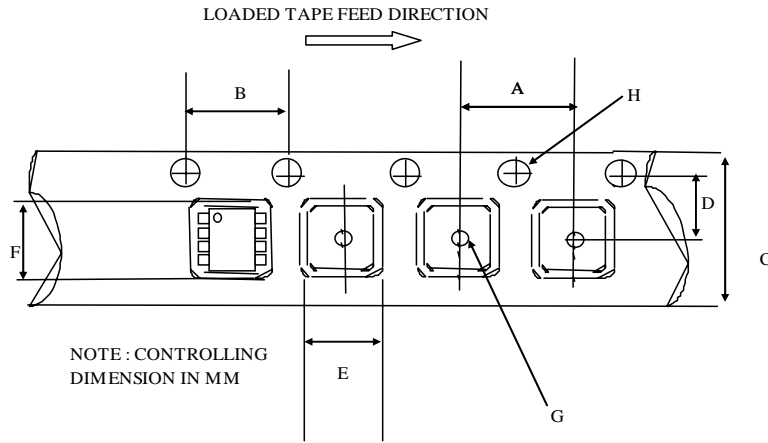


Figure 16. V_{BS} Undervoltage Threshold (-) vs. Temperature

Package Details: SOIC 8

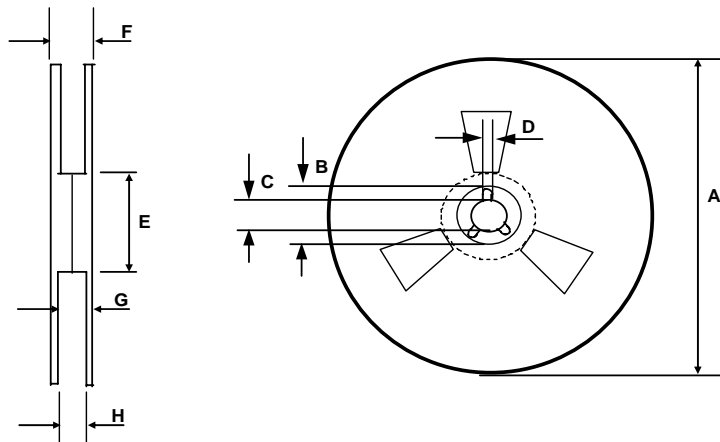


Tape and Reel Details: SOIC8



CARRIER TAPE DIMENSION FOR 8SOICN

Code	Metric		Imperial	
	Min	Max	Min	Max
A	7.90	8.10	0.311	0.318
B	3.90	4.10	0.153	0.161
C	11.70	12.30	0.46	0.484
D	5.45	5.55	0.214	0.218
E	6.30	6.50	0.248	0.255
F	5.10	5.30	0.200	0.208
G	1.50	n/a	0.059	n/a
H	1.50	1.60	0.059	0.062

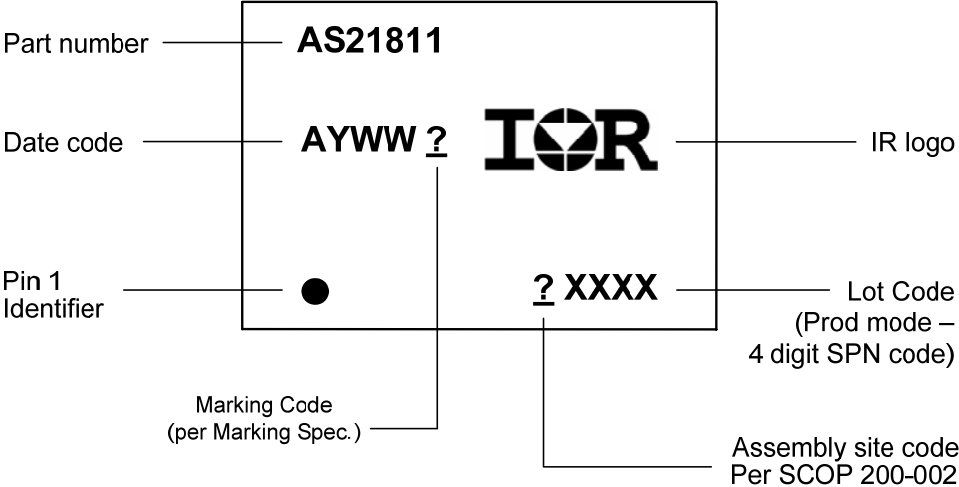


REEL DIMENSIONS FOR 8SOICN

Code	Metric		Imperial	
	Min	Max	Min	Max
A	329.60	330.25	12.976	13.001
B	20.95	21.45	0.824	0.844
C	12.80	13.20	0.503	0.519
D	1.95	2.45	0.767	0.096
E	98.00	102.00	3.858	4.015
F	n/a	18.40	n/a	0.724
G	14.50	17.10	0.570	0.673
H	12.40	14.40	0.488	0.566

Part Marking Information

SOIC8:



Order Information

Base Part Number	Package Type	Standard Pack		Complete Part Number
		Form	Quantity	
AUIRS21811	SOIC8N	Tube/Bulk	95	AUIRS21811S
		Tape and Reel	2500	AUIRS21811STR

IMPORTANT NOTICE

Unless specifically designated for the automotive market, International Rectifier Corporation and its subsidiaries (IR) reserve the right to make corrections, modifications, enhancements, improvements, and other changes to its products and services at any time and to discontinue any product or services without notice. Part numbers designated with the "AU" prefix follow automotive industry and / or customer specific requirements with regards to product discontinuance and process change notification. All products are sold subject to IR's terms and conditions of sale supplied at the time of order acknowledgment.

IR warrants performance of its hardware products to the specifications applicable at the time of sale in accordance with IR's standard warranty. Testing and other quality control techniques are used to the extent IR deems necessary to support this warranty. Except where mandated by government requirements, testing of all parameters of each product is not necessarily performed.

IR assumes no liability for applications assistance or customer product design. Customers are responsible for their products and applications using IR components. To minimize the risks with customer products and applications, customers should provide adequate design and operating safeguards.

Reproduction of IR information in IR data books or data sheets is permissible only if reproduction is without alteration and is accompanied by all associated warranties, conditions, limitations, and notices. Reproduction of this information with alterations is an unfair and deceptive business practice. IR is not responsible or liable for such altered documentation. Information of third parties may be subject to additional restrictions.

Resale of IR products or serviced with statements different from or beyond the parameters stated by IR for that product or service voids all express and any implied warranties for the associated IR product or service and is an unfair and deceptive business practice. IR is not responsible or liable for any such statements.

IR products are not designed, intended, or authorized for use as components in systems intended for surgical implant into the body, or in other applications intended to support or sustain life, or in any other application in which the failure of the IR product could create a situation where personal injury or death may occur. Should Buyer purchase or use IR products for any such unintended or unauthorized application, Buyer shall indemnify and hold International Rectifier and its officers, employees, subsidiaries, affiliates, and distributors harmless against all claims, costs, damages, and expenses, and reasonable attorney fees arising out of, directly or indirectly, any claim of personal injury or death associated with such unintended or unauthorized use, even if such claim alleges that IR was negligent regarding the design or manufacture of the product.

IR products are neither designed nor intended for use in military/aerospace applications or environments unless the IR products are specifically designated by IR as military-grade or "enhanced plastic." Only products designated by IR as military-grade meet military specifications. Buyers acknowledge and agree that any such use of IR products which IR has not designated as military-grade is solely at the Buyer's risk, and that they are solely responsible for compliance with all legal and regulatory requirements in connection with such use.

IR products are neither designed nor intended for use in automotive applications or environments unless the specific IR products are designated by IR as compliant with ISO/TS 16949 requirements and bear a part number including the designation "AU". Buyers acknowledge and agree that, if they use any non-designated products in automotive applications, IR will not be responsible for any failure to meet such requirements.

For technical support, please contact IR's Technical Assistance Center

<http://www.irf.com/technical-info/>

WORLD HEADQUARTERS:

233 Kansas St., El Segundo, California 90245
Tel: (310) 252-7105

Revision History

Date	Change by	Comment
8/6/08	CIC	First draft: all changes wrt AUIRS2181(4)(S) datasheet Updated all references to IC name Changed references of ton/toff to reflect requested 120ns/120ns spec Updated expected I_{QBS} and I_{QCC} specs
9/8/08	CIC	Changed product summary topology to "Half-Bridge" Changed product summary I_{O+} & I_{O-} from typ values to min values Removed reference to deadtime in the product summary Removed typical applications section Removed references to other parts in feature comparison section Changed V_{IN} from 2.7V min to 2.5V min Changed V_{OH} from 1.2V max to 1.4V max Changed V_{OL} from 0.1V max to 0.2V max Updated functional block diagrams Updated lead definitions and lead assignments, added device label for lead assignment Added typical application diagram section Added simplified block diagram section Added input/output pin equivalent diagrams Added in application info and additional details section Added in parameter temperature trend section
10/31/08	CIC	Changed VB max to 620V (align with rest of 20V clamp drivers spec)
2/24/09	CIC	Updated the qual table (showing "TBD" for ESD/LU ratings)
2/26/09	CIC	Removed IRS218114
3/10/09	CIC	Removed Simplified Block Diagram Removed Typical Application Diagram Removed Parameter Temp Trend Section Updated page number references
3/23/09	CIC	Changed $I_{O+/-}$ units to A from mA
5/20/09	CIC	Added ESD and LU ratings
6/9/09	APBU	Front page: "Logic and power ground +/- 5V offset" sentence erased (only one ground exists). Page 3: "designed for minimum driver cross-conduction" sentence erased. Page 5, 6, 8: Vss related sentences erased or modified (Vss does not exist).
7/17/09	CIC	Removed min spec on $I_{O+/-}$ parameters Changed typ ton/toff to 135ns
9/08/09	APBU	Added Typical Applications on front page, Extended Feature comparison table, added junction temperature range in Dynamic and Static electrical characteristic tables.
9/14/09	APBU	Added tri-temp plots, added ESD passing threshold voltage, corrected $I_{O+/-}$ & $T_{on/off}$ typical value on front page to be consistent with data in table
9/15/09	APBU	Corrected list of Typical Applications on front page
9/16/09	APBU	Dyn el. Char table: Max turn on and off prop. Delay changed from 180 ns to 210 ns, removed temperature range from Statics and Dynamic Electrical Characteristic tables
9/16/09	CIC	Change the year to 2009 in header Separated Marking info and order info in two pages
9/17/09	CIC	Fixed ESD passing thresholds
10/6/09	APBU	LU rating to "tbd", added SOA page, updated marking, updated table of content, added guaranteed by design note for $I_{O+/-}$ parameters, removed typ. t_r/t_f ,
10/08/09	APBU	Removed SOA page and updated table of content.
10/09/09	APBU	Changed Max turn on/off to 230ns to allow for tri-temp variations

1/6/2010	APBU	Removed Latch Up Rating from Qual Info page; updated ton/toff typical in comparison table for AUIRS2181(4)S to 160/200ns & for AUIRS2184(4)S to 600/230ns; modified disclaimer under Absolute Max. Rating; added Important Notice
2/24/10	APBU	Page 6: Added I_{O25+} and I_{O25-} specification and the note
05/07/10	APBU	Corrected topology to High and Low Side driver on front page.
28 July 2010	APBU	Clamp voltage changed from 25V to 20V in input output pin equivalent circuit diagram.

Компания «Life Electronics» занимается поставками электронных компонентов импортного и отечественного производства от производителей и со складов крупных дистрибьюторов Европы, Америки и Азии.

С конца 2013 года компания активно расширяет линейку поставок компонентов по направлению коаксиальный кабель, кварцевые генераторы и конденсаторы (керамические, пленочные, электролитические), за счёт заключения дистрибьюторских договоров

Мы предлагаем:

- Конкуренспособные цены и скидки постоянным клиентам.
- Специальные условия для постоянных клиентов.
- Подбор аналогов.
- Поставку компонентов в любых объемах, удовлетворяющих вашим потребностям.
- Приемлемые сроки поставки, возможна ускоренная поставка.
- Доставку товара в любую точку России и стран СНГ.
- Комплексную поставку.
- Работу по проектам и поставку образцов.
- Формирование склада под заказчика.
- Сертификаты соответствия на поставляемую продукцию (по желанию клиента).
- Тестирование поставляемой продукции.
- Поставку компонентов, требующих военную и космическую приемку.
- Входной контроль качества.
- Наличие сертификата ISO.

В составе нашей компании организован Конструкторский отдел, призванный помогать разработчикам, и инженерам.

Конструкторский отдел помогает осуществить:

- Регистрацию проекта у производителя компонентов.
- Техническую поддержку проекта.
- Защиту от снятия компонента с производства.
- Оценку стоимости проекта по компонентам.
- Изготовление тестовой платы монтаж и пусконаладочные работы.



Тел: +7 (812) 336 43 04 (многоканальный)

Email: org@lifeelectronics.ru