

# T-3-1/4 & T5 Miniature Wedge Base

## 23 SERIES

- MINIATURE WEDGE BASE NON-GROUNDED OR GROUNDED LAMP HOLDERS
- BLACK NYLON HOUSING (UNLESS OTHERWISE NOTED)
- 6" WIRE LEADS, PRINTED CIRCUIT BOARD OR SOLDER LUG TERMINALS
- MAXIMUM RATINGS: 20 WATTS, 28 VOLTS
- UL RECOGNIZED • UL FILE E20356

### Overview

The 23 Series lampholders are designed for automotive and appliance applications. Most lampholders can be supplied as either non-grounded or grounded units with printed circuit board or solder lug terminals or 6" wire leads. Many bracket and mounting options are available including plug buttons for 5/8" mounting holes and a 5/8" twist and lock socket. Lampholders are designed for use in low voltage applications with T-5 & T-3 1/4 wedge base lamps.

### Specifications

**Housing:** black nylon, unless otherwise specified. white housing also available.

**Contacts:** brass.

#### Terminals:

**Solder lug:** electro tinned brass, 0.110" length x 0.010" thick, with one wire hole 3/32"x1/16" in diameter. Non-grounded units are supplied with two terminals. Grounded units are supplied with one terminal.

**Printed circuit board terminals:** brass.

**Wire Leads: 6" Leads:** #22 AWG, black, stranded tinned copper, PVC insulated, UL/CSA rated 105°C, stripped 1/2". Non-grounded units are supplied with two 6" wire leads. Grounded units are supplied with one 6" wire lead. Custom wire lengths, stripping, termination and wire types are also available.

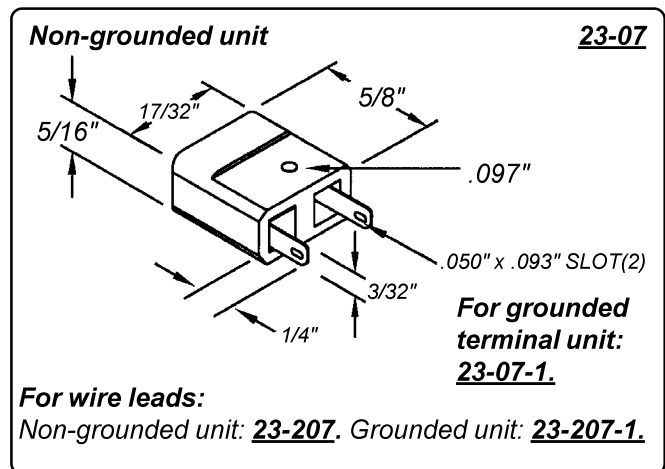
#### Mounting:

**Brackets:** 0.025" to 0.032" zinc plated steel.

**Plug buttons:** for 5/8" mounting hole, nylon or zinc plated steel.

**Twist & Lock:** for 5/8" mounting hole.

**Maximum rating:** 20 Watts, 28 Volts.

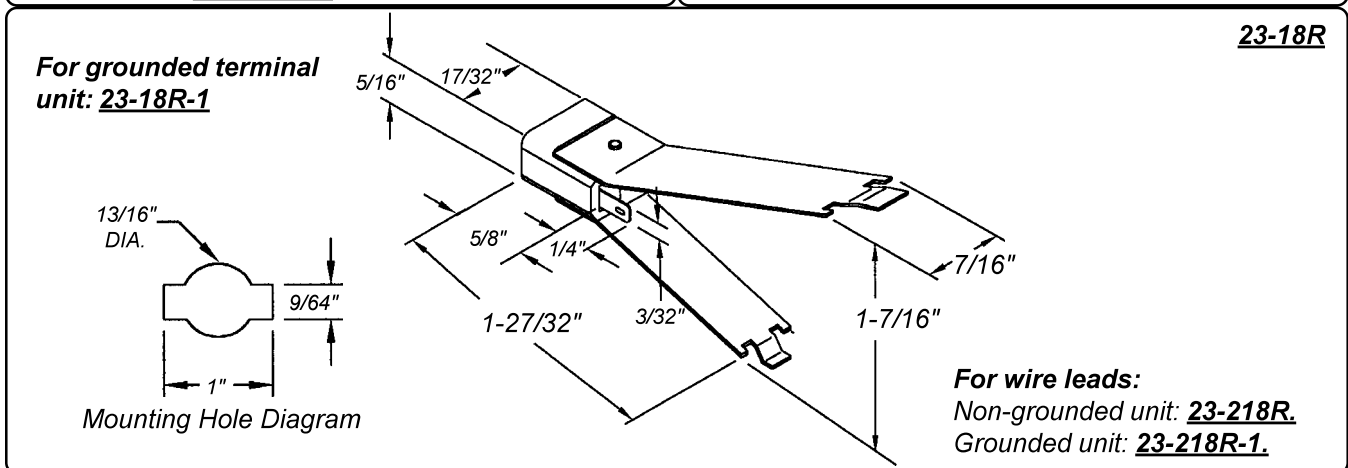
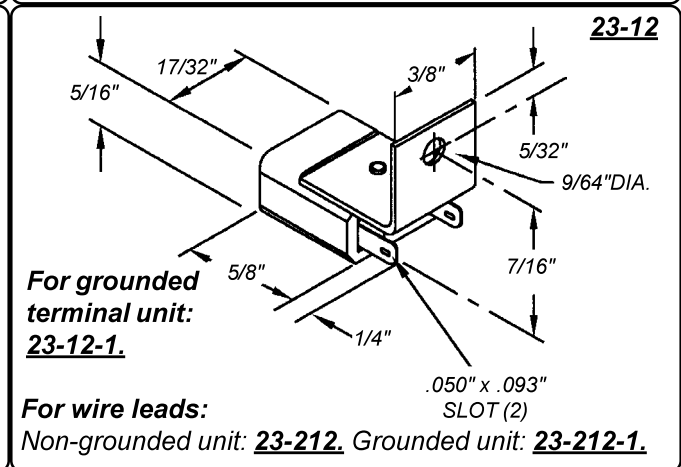
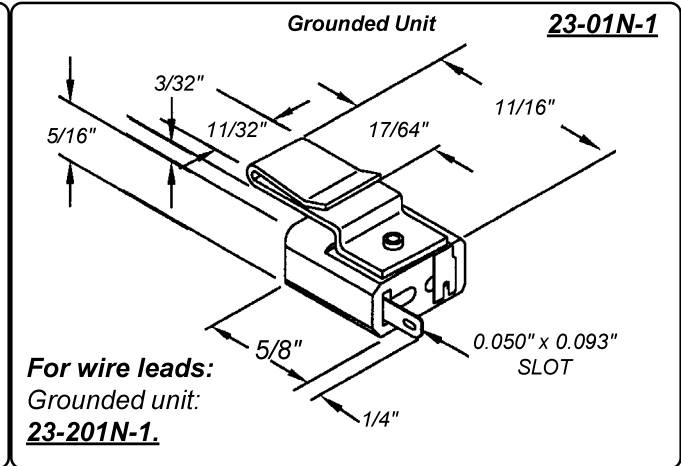


# T-3-1/4 & T5 Miniature Wedge Base

**23 SERIES** • UL Recognized  
 Maximum Rating: 20 Watts, 28 Volts  
 Non-Grounded or Grounded

**Black Nylon\* Housing**  
**Solder Lug Terminals, 6" Wire Leads**  
**or Printed Circuit Board Terminals**

\* Nylon Housing unless otherwise noted.



# T-3-1/4 & T5 Miniature Wedge Base

**23 SERIES** • UL Recognized  
 Maximum Rating: 20 Watts, 28 Volts  
 Non-Grounded or Grounded

**Black Nylon\* Housing**  
**Solder Lug Terminals, 6" Wire Leads**  
**or Printed Circuit Board Terminals**

\* Nylon Housing unless otherwise noted.

**For grounded terminal unit: 23-24-1.** **23-24**

**For wire leads:**  
 Non-grounded unit: 23-224. Grounded unit: 23-224-1.

**Non-grounded only.** **23-33TLPC**

Designed for rear mounting on a printed circuit board.

**Mounting Hole Diagram**

**Non-grounded only.** **23-35H**

Designed for mounting on a printed circuit board.

**Mounting Hole Diagram**

**For grounded terminal unit: 23-72N-1** **23-72N**

**For wire leads:**  
 Non-grounded unit: 23-272N.  
 Grounded unit: 23-272N-1.

**For grounded terminal unit: 23-74-1.** **23-74**

**For wire leads:**  
 Non-grounded unit: 23-274. Grounded unit: 23-274-1.

**For grounded terminal unit: 23-77R-1.** **23-77R**

**For wire leads:**  
 Non-grounded unit: 23-277R.  
 Grounded unit: 23-277R-1.

# T-3-1/4 & T5 Miniature Wedge Base

**23 SERIES** • UL Recognized  
 Maximum Rating: 20 Watts, 28 Volts  
 Non-Grounded or Grounded

**Black Nylon\* Housing**  
**Solder Lug Terminals, 6" Wire Leads**  
**or Printed Circuit Board Terminals**

\* Nylon Housing unless otherwise noted.

**Non-grounded only.**

**23-METRI-PACK**

**23-METRI-PACK MOUNTING HOLE**

Recommended panel thickness range: 0.068" to 0.075".

**Note:**  
 Packard Mating Piece Not Supplied  
 Packard Mating Part Numbers:  
 Housing 1205-9253  
 Terminals 1204-7883

**Non-grounded only.**

**23-207SL**

**Mounting Hole Diagram**

**Non-grounded only.**

**23-140PL**

Plug button for 5/8" mounting hole  
 Panel thickness: 1/32" to 3/32".

**For solder lug terminals: 23-140PL-T.**

**TWIST & LOCK MOUNTING 23-233TL**

**Non-grounded only.**

**Mounting Hole Diagram**

**For solder lug terminals: 23-33TL.**

Panel thickness range: 1/32" to 3/64"

**23-240-1**

**For non-grounded wire lead unit: 23-240.**

**For solder lug terminals:**  
 Non-grounded unit: **23-40.**  
 Grounded unit: **23-40-1.**

Plug button: zinc plated steel  
 Mounting hole: 5/8" Panel thickness: 1/16" to 3/32"

# T-3-1/4 & T5 Miniature Wedge Base

**23 SERIES** • UL Recognized  
 Maximum Rating: 20 Watts, 28 Volts  
 Non-Grounded or Grounded

**Black Nylon\* Housing**  
**Solder Lug Terminals, 6" Wire Leads**  
**or Printed Circuit Board Terminals**

\* Nylon Housing unless otherwise noted.

**For solder lug terminals:**  
**23-40PL**  
 Non-grounded only.

Plug button for 5/8" mounting hole.  
 Panel thickness: 1/32" to 3/32"

**23-240PL**

Non-grounded only.

For solder lug terminals:  
**23-340PL-T**

Housing material: Ultem®  
 Plug button for 5/8" mounting hole.  
 Panel thickness range: 1/32" to 5/64"

**23-340PL**

Designed for snap-in mounting with a mechanical locking feature for greater panel assurance.

Mounting Hole Diagram

Panel Thickness: 1/32" to 3/32"

For solder lug terminals: **23-440PL-T** Non-grounded only. **23-440PL**

Housing material: polyester  
 Mounting hole: 5/8"  
 Panel thickness: 1/32" to 5/64"

Non-grounded only.

For solder lug terminals: **23-540PL-T**

**23-540PL**

Mounting hole: 5/8".  
 Panel thickness: 1/32" to 5/64".  
 Non-grounded only.

Wire not supplied.  
 Designed for 18 AWG wire.

**23-540PLC**

# T-3-1/4 & T5 Miniature Wedge Base

**23 SERIES** • UL Recognized  
 Maximum Rating: 20 Watts, 28 Volts  
 Non-Grounded or Grounded

**Black Nylon\* Housing**  
 Solder Lug Terminals, 6" Wire Leads  
 or Printed Circuit Board Terminals

\* Nylon Housing unless otherwise noted.

Housing material: polyester  
 Mounting hole: 5/8"  
 Panel thickness:  
 1/16" to 9/64"

**23-640PL**

Non-grounded only.

Designed for firm, snap fit into thicker panels.

**For solder lug terminals: 23-640PL-T.**

Non-grounded only.

**23-740SL**

This design can snap together when used with T-3-1/4 bulbs.

Mounting hole diagram

**For solder lug terminals: 23-740RPL-T.**

**23-740RPL**  
 Non-grounded only.

Mounting hole diagram

Recommended panel thickness range: .080"

**23-07RT**

The standard unit, featured here, is supplied with two 0.110" tab terminals at 90° angles which mate with 0.110" width x .020" thick female quick connect terminals.

This unit is available non-grounded or grounded with any 23 Series bracket. Unit may also be supplied grounded with one solder terminal.

Designed for right angle circuit board applications:

**23-35RA**  
 Non-grounded only.

**Mounting:**  
 3/32" diameter mounting holes with 7/32" spacing.

# T-3-1/4 & T5 Miniature Wedge Base

**23 SERIES** • UL Recognized  
 Maximum Rating: 20 Watts, 28 Volts  
 Non-Grounded or Grounded

**Black Nylon\* Housing**  
**Solder Lug Terminals, 6" Wire Leads**  
**or Printed Circuit Board Terminals**

\* Nylon Housing unless otherwise noted.



# T-3-1/4 & T5 Miniature Wedge Base

**23 SERIES** • UL Recognized  
Maximum Rating: 20 Watts, 28 Volts  
Non-Grounded or Grounded

**Black Nylon\* Housing**  
**Solder Lug Terminals, 6" Wire Leads**  
**or Printed Circuit Board Terminals**

\* Nylon Housing unless otherwise noted.

*Plastic lens & reflector can be supplied with a T-5 lamp already inside or without lamp.*

**PLR36-1700W** is supplied without a lamp.

Contact customer service with your lamp requirements.

4-7/16" O.D.

**PLR36-1700W**  
Non-grounded only.

Snap-Action Lens and Snap-In Socket design facilitate lamp installation.

Reflector is vacuum metalized high impact Styrene®.

**23-RECPARXP11**  
Non-grounded only.

4-1/2"

2-7/32"

Reflector is vacuum metalized steel.

**23-PAR36-W**  
Non-grounded only.

1-15/32"

4-7/16" O.D.

Reflector is vacuum metalized steel.

**23-PAR22-W**  
Non-grounded only.

2-9/64"

2-3/4" O.D.

Reflector is vacuum metalized aluminum.

**For solder lug terminals: 23-PAR22-T.**

**23-PAR18-W**  
Non-grounded only.

1-31/32"

2-13/32" O.D.

Reflector is vacuum metalized steel. May also be supplied without lip.

**For solder lug terminals: 23-PAR18-T.**



Компания «Life Electronics» занимается поставками электронных компонентов импортного и отечественного производства от производителей и со складов крупных дистрибьюторов Европы, Америки и Азии.

С конца 2013 года компания активно расширяет линейку поставок компонентов по направлению коаксиальный кабель, кварцевые генераторы и конденсаторы (керамические, пленочные, электролитические), за счёт заключения дистрибьюторских договоров

Мы предлагаем:

- Конкурентоспособные цены и скидки постоянным клиентам.
- Специальные условия для постоянных клиентов.
- Подбор аналогов.
- Поставку компонентов в любых объемах, удовлетворяющих вашим потребностям.
- Приемлемые сроки поставки, возможна ускоренная поставка.
- Доставку товара в любую точку России и стран СНГ.
- Комплексную поставку.
- Работу по проектам и поставку образцов.
- Формирование склада под заказчика.
- Сертификаты соответствия на поставляемую продукцию (по желанию клиента).
- Тестирование поставляемой продукции.
- Поставку компонентов, требующих военную и космическую приемку.
- Входной контроль качества.
- Наличие сертификата ISO.

В составе нашей компании организован Конструкторский отдел, призванный помогать разработчикам, и инженерам.

Конструкторский отдел помогает осуществить:

- Регистрацию проекта у производителя компонентов.
- Техническую поддержку проекта.
- Защиту от снятия компонента с производства.
- Оценку стоимости проекта по компонентам.
- Изготовление тестовой платы монтаж и пусконаладочные работы.



Тел: +7 (812) 336 43 04 (многоканальный)

Email: [org@lifeelectronics.ru](mailto:org@lifeelectronics.ru)