

## Pressure Sensors

Low-cost, Stainless Steel, Isolated Sensors

*13 mm Series*

### FEATURES

- Rugged, isolated stainless steel package
- Reliable semiconductor technology
- Calibrated and temperature compensated
- Voltage or current supply options
- Absolute and sealed gage pressures
- Low-cost cell package
- Absolute pressure
- 0 psi to 500 psi, 1000 psi, 2000 psi, 3000 psi, and 5000 psi

### TYPICAL APPLICATIONS

- Industrial controls
- Hydraulic controls
- Tank pressure
- Pressure transmitters
- Process control systems



Honeywell's 13 mm Series stainless steel pressure sensors are designed for high pressure applications that involve measurement of hostile media in harsh environments. This series uses Honeywell's proven piezoresistive semiconductor sensor chip in an oil-isolated housing with or without an integral ceramic for temperature compensation and calibration. This design has proven to be highly reliable, stable and accurate.

These sensors feature a weld-ring collar and special back support ring for high cycle life capability as they are designed for further package integration in OEM (Original Equipment Manufacturer) applications. Products are available with pressure ranges from 500 psi through 5000 psi and can be used with voltage or current supplies.

### EQUIVALENT CIRCUIT

#### 13 mm compensated series



#### 13 mm uncompensated series



### **⚠ WARNING**

#### **PERSONAL INJURY**

DO NOT USE these products as safety or emergency stop devices or in any other application where failure of the product could result in personal injury.

**Failure to comply with these instructions could result in death or serious injury.**

### **⚠ WARNING**

#### **MISUSE OF DOCUMENTATION**

- The information presented in this product sheet is for reference only. Do not use this document as a product installation guide.
- Complete installation, operation, and maintenance information is provided in the instructions supplied with each product.

**Failure to comply with these instructions could result in death or serious injury.**

# Pressure Sensors

Low-cost, Stainless Steel, Isolated Sensors

13 mm Series

## PRESSURE SENSOR CHARACTERISTICS (all devices)

| Environmental specifications  |                                     |
|-------------------------------|-------------------------------------|
| Compensated temperature range | 0 °C to 82 °C [32 °F to 180 °F]     |
| Operating temperature range   | -40 °C to 125 °C [-40 °F to 257 °F] |
| Storage temperature range     | -40 °C to 125 °C [-40 °F to 257 °F] |
| Vibration                     | 10 G at 20 Hz to 2000 Hz            |
| Shock                         | 100 G for 11 ms                     |
| Life                          | 1 million cycles min.               |
| Insulation resistance         | 100 mΩ at 50 Vdc                    |
| Maximum ratings               |                                     |
| Voltage version "K"           | Supply voltage $V_s = +15$ Vdc      |
| Voltage version "L"           | Supply current $I_s = +2.0$ mA      |

## PERFORMANCE CHARACTERISTICS – COMPENSATED SERIES <sup>(1)</sup>

| Characteristic   | Minimum | Typical | Maximum | Units |
|--|---------|---------|---------|-------|
| Zero pressure offset                                     | -2      | 0       | +2      | mV    |
| Pressure non-linearity <sup>(3)</sup>                    | –       | ±0.1    | ±0.25   | %FSS  |
| Pressure hysteresis <sup>(3)</sup>                       | –       | ±0.015  | ±0.030  | %FSS  |
| Repeatability  | –       | ±0.010  | ±0.030  | %FSS  |
| Temp. effect on span <sup>(4)</sup>                      | –       | ±0.5    | ±1.0    | %FSS  |
| Temp. effect on offset <sup>(4)</sup>                    | –       | ±0.5    | ±1.0    | %FSS  |
| Thermal hysteresis (0 °C to 82 °C [32 °F to 180 °F])     | –       | ±0.1    | ±0.3    | %FSS  |
| Long-term stability of offset and span <sup>(5)</sup>    | –       | ±0.1    | ±0.3    | %FSS  |
| Response time <sup>(6)</sup>                             | –       | 0.1     | –       | ms    |
| Common mode voltage (voltage version "K") <sup>(9)</sup> | 0.50    | 1.25    | 2.0     | Vdc   |
| Input resistance (current version "L")                   | 2.0     | 4.5     | 8.0     | kΩ    |
| Input resistance (voltage version "K")                   | 8.0     | 25      | 50      | kΩ    |
| Output resistance  | 3.0     | 4.5     | 6.0     | kΩ    |

## PRESSURE RANGE SPECIFICATIONS – COMPENSATED SERIES

| Catalog Listing                 | Pressure range    | Full scale span <sup>(2)</sup> | Proof pressure <sup>(7)</sup> | Burst pressure <sup>(8)</sup> |
|---------------------------------|-------------------|--------------------------------|-------------------------------|-------------------------------|
| 13C 0500P (A,S) (1,4,5,6) (K,L) | 0 psi to 500 psi  | 98 mV to 102 mV                | 1500 psi                      | 2500 psi                      |
| 13C 1000P (A,S) (1,4,5,6) (K,L) | 0 psi to 1000 psi | 98 mV to 102 mV                | 3000 psi                      | 5000 psi                      |
| 13C 2000P (A,S) (1,4,5,6) (K,L) | 0 psi to 2000 psi | 98 mV to 102 mV                | 6000 psi                      | 10,000 psi                    |
| 13C 3000P (A,S) (1,4,5,6) (K,L) | 0 psi to 3000 psi | 98 mV to 102 mV                | 9000 psi                      | 10,000 psi                    |
| 13C 5000P (A,S) (1,4,5,6) (K,L) | 0 psi to 5000 psi | 148 mV to 152 mV               | 10,000 psi                    | 10,000 psi                    |

### NOTES

- Reference conditions (unless otherwise noted):  $T_A = 25$  °C [77 °F]; Supply  $V_s = 10$  Vdc ±0.01 Vdc or  $I_s = 1.5$  mA ±0.0015 mA.
- Full-scale span (FSS) is the algebraic difference between the output voltage at full-scale pressure and the output at zero pressure. FSS is ratiometric to supply voltage.
- Pressure non-linearity is based on best-fit straight line from zero to the full-scale pressure. Pressure hysteresis is the maximum output difference at any point within the operating pressure range for increasing and decreasing pressure.
- Maximum error band of the offset voltage or span over the compensated temperature range, relative to the 25 °C [77 °F] reading.
- Long-term stability over a six-month period.
- Response time for a 0 psi to FSS pressure step change, 10 % to 90 % rise time.
- The maximum pressure that can be applied without changing the transducer's performance or accuracy.
- The maximum pressure that can be applied to a transducer without rupture of either the sensing element or transducer case.
- Common mode voltage as measure from output to ground.

# Pressure Sensors

Low-cost, Stainless Steel, Isolated Sensors

13 mm Series

## PERFORMANCE CHARACTERISTICS – UNCOMPENSATED SERIES <sup>(1)</sup>

| Characteristic  | Minimum | Typical | Maximum | Unit    |
|---|---------|---------|---------|---------|
| Zero pressure offset  | -7.5    | 0       | +7.5    | mV/V    |
| Pressure non-linearity <sup>(3)</sup>   | –       | ±0.1    | ±0.25   | %FSS    |
| Pressure hysteresis <sup>(3)</sup>  | –       | ±0.015  | ±0.030  | %FSS    |
| Repeatability   | –       | ±0.010  | ±0.030  | %FSS    |
| Temp. coefficient of span <sup>(4)</sup><br>(0 °C to 82 °C [32 °F to 180 °F])       | 360     | 720     | 1260    | ppm/°C  |
| Temp. coefficient of resistance <sup>(4)</sup><br>(0 °C to 82 °C [32 °F to 180 °F]) | 2700    | 3420    | 4500    | ppm/°C  |
| Temp. coefficient of offset <sup>(4)</sup><br>(0 °C to 82 °C [32 °F to 180 °F])     | –       | 30      | –       | µV/V/°C |
| Thermal hysteresis<br>(0 °C to 82 °C [32 °F to 180 °F])                             | –       | ±0.1    | ±0.3    | %FSS    |
| Long-term stability of offset and span <sup>(5)</sup>                               | –       | ±0.1    | ±0.3    | %FSS    |
| Response time <sup>(6)</sup>  | –       | 0.1     | –       | ms      |
| Input resistance  | 4.0     | 4.75    | 6.0     | kΩ      |
| Output resistance   | 4.0     | 4.75    | 6.0     | kΩ      |

## PRESSURE RANGE SPECIFICATIONS – UNCOMPENSATED SERIES

| Catalog Listing | Pressure range    | Full scale span <sup>(2)</sup> | Proof pressure <sup>(7)</sup> | Burst pressure <sup>(8)</sup> |
|-----------------|-------------------|--------------------------------|-------------------------------|-------------------------------|
| 13U 0500P A 0 K | 0 psi to 500 psi  | 175 mV to 300 mV               | 1200 psi                      | 2400 psi                      |
| 13U 1000P A 0 K | 0 psi to 1000 psi | 175 mV to 300 mV               | 3000 psi                      | 5000 psi                      |
| 13U 2000P A 0 K | 0 psi to 2000 psi | 175 mV to 300 mV               | 6000 psi                      | 10,000 psi                    |
| 13U 3000P A 0 K | 0 psi to 3000 psi | 175 mV to 300 mV               | 9000 psi                      | 10,000 psi                    |
| 13U 5000P A 0 K | 0 psi to 5000 psi | 290 mV to 500 mV               | 10,000 psi                    | 10,000 psi                    |

### NOTES

- Reference conditions (unless otherwise noted):  $T_A = 25\text{ °C}$  [77 °F]; Supply  $V_s = 10\text{ Vdc} \pm 0.01\text{ Vdc}$  or  $I_s = 1.5\text{ mA} \pm 0.0015\text{ mA}$ .
- Full-scale span (FSS) is the algebraic difference between the output voltage at full-scale pressure and the output at zero pressure. FSS is ratiometric to supply voltage.
- Pressure non-linearity is based on best-fit straight line from zero to the full-scale pressure. Pressure hysteresis is the maximum output difference at any point within the operating pressure range for increasing and decreasing pressure.
- The error band resulting from maximum deviation of a transducer's output parameter (offset, span, or resistance) as temperature is varied from 25 °C [77 °F] to any other temperature within the specified range 0 °C to 82 °C [32 °F to 180 °F]. This parameter is not 100 % tested and is guaranteed by process design and tested on a sample basis only. Temperature coefficient of span is evaluated using a constant current source.
- Long-term stability over a six-month period.
- Response time for a 0 psi to FSS pressure step change, 10 % to 90 % rise time.
- The maximum pressure that can be applied without changing the transducer's performance or accuracy.
- The maximum pressure that can be applied to a transducer without rupture of either the sensing element or transducer case.

# Pressure Sensors

Low-cost, Stainless Steel, Isolated Sensors

13 mm Series

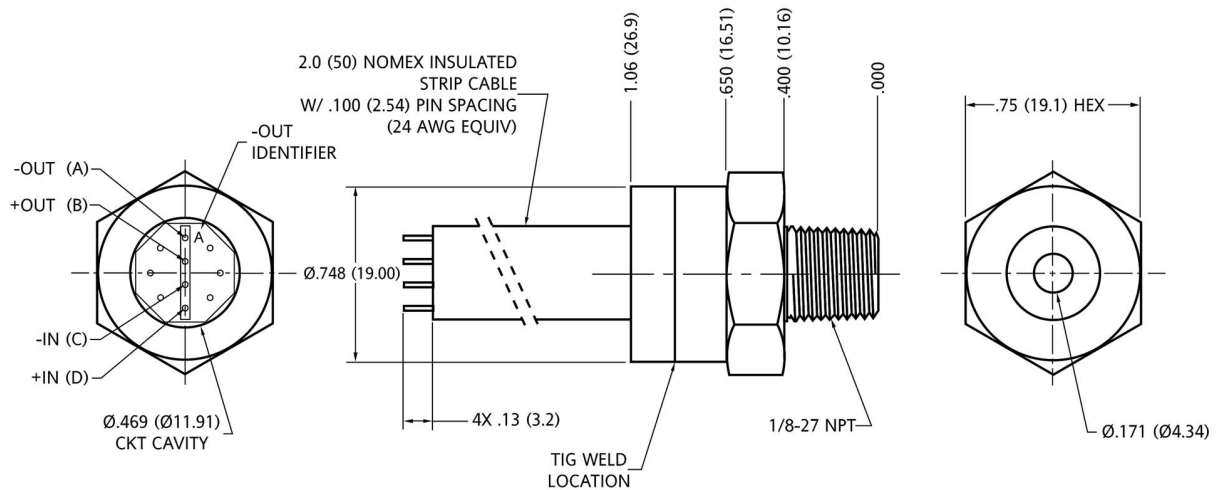
**PHYSICAL DIMENSIONS** for reference only, in (mm)

## Package 1 (see note): Ring with back support



**Note:** Non-concentricity effects at the diaphragm weld area may cause runout of up to  $\pm 0.006$  in between the upper and lower portions of the sensor body. (It is recommended to use a counter bore to mate with this device to allow for this non-concentricity).

## Package 4: 1/8-27 NPT

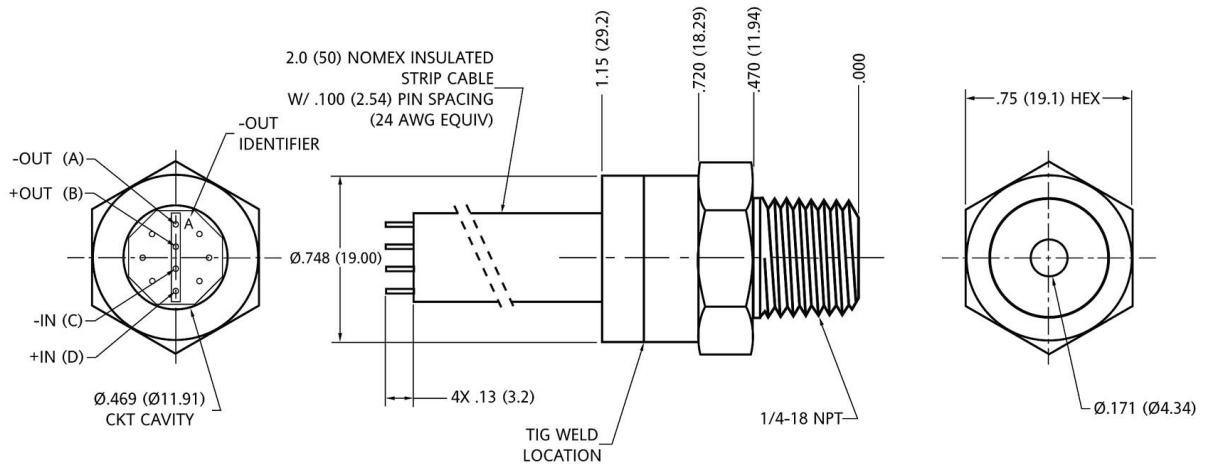


# Pressure Sensors

Low-cost, Stainless Steel, Isolated Sensors

13 mm Series

## Package 5: 1/4-18 NPT



## Package 6: 7/16-20 UNF



# Pressure Sensors

Low-cost, Stainless Steel, Isolated Sensors

*13 mm Series*

**Package 0 (see note): Ring and cell**



**Note:** Non-concentricity effects at the diaphragm weld area may cause runout of up to  $\pm 0.006$  in between the upper and lower portions of the sensor body. (It is recommended to use a counter bore to mate with this device to allow for this non-concentricity).

# Pressure Sensors

Low-Cost, Stainless Steel, Isolated Sensors

*13 mm Series*

## ORDERING INFORMATION

### 13 mm Compensated Series



For example: **Part #13C3000PS4K** = 13 mm Cell, Compensated, 3000 psi, Sealed Gauge, 1/8NPT Port with 10 Vdc excitation.

### 13 mm Uncompensated Series



For example: **Part #13U 3000PA0K** = 13 mm Cell, Uncompensated, 3000 psi, Absolute, Ring pressure connection with 5 Vdc excitation.

# Pressure Sensors

Low-cost, Stainless Steel, Isolated Sensors

*13 mm Series*

## WARRANTY/REMEDY

Honeywell warrants goods of its manufacture as being free of defective materials and faulty workmanship. Contact your local sales office for warranty information. If warranted goods are returned to Honeywell during the period of coverage, Honeywell will repair or replace without charge those items it finds defective. **The foregoing is Buyer's sole remedy and is in lieu of all other warranties, expressed or implied, including those of merchantability and fitness for a particular purpose.**

Specifications may change without notice. The information we supply is believed to be accurate and reliable as of this printing. However, we assume no responsibility for its use.

While we provide application assistance personally, through our literature and the Honeywell web site, it is up to the customer to determine the suitability of the product in the application. For application assistance, current specifications, or name of the nearest Authorized Distributor, contact a nearby sales office. Or call:

1-800-537-6945 USA/Canada  
1-815-235-6847 International

## FAX

1-815-235-6545 USA

## INTERNET

[www.honeywell.com/sensing](http://www.honeywell.com/sensing)  
[info.sc@honeywell.com](mailto:info.sc@honeywell.com)

---

# Honeywell

Sensing and Control  
[www.honeywell.com/sensing](http://www.honeywell.com/sensing)

Honeywell  
11 West Spring Street  
Freeport, Illinois 61032



Компания «Life Electronics» занимается поставками электронных компонентов импортного и отечественного производства от производителей и со складов крупных дистрибьюторов Европы, Америки и Азии.

С конца 2013 года компания активно расширяет линейку поставок компонентов по направлению коаксиальный кабель, кварцевые генераторы и конденсаторы (керамические, пленочные, электролитические), за счёт заключения дистрибьюторских договоров

Мы предлагаем:

- Конкуренспособные цены и скидки постоянным клиентам.
- Специальные условия для постоянных клиентов.
- Подбор аналогов.
- Поставку компонентов в любых объемах, удовлетворяющих вашим потребностям.
- Приемлемые сроки поставки, возможна ускоренная поставка.
- Доставку товара в любую точку России и стран СНГ.
- Комплексную поставку.
- Работу по проектам и поставку образцов.
- Формирование склада под заказчика.
- Сертификаты соответствия на поставляемую продукцию (по желанию клиента).
- Тестирование поставляемой продукции.
- Поставку компонентов, требующих военную и космическую приемку.
- Входной контроль качества.
- Наличие сертификата ISO.

В составе нашей компании организован Конструкторский отдел, призванный помогать разработчикам, и инженерам.

Конструкторский отдел помогает осуществить:

- Регистрацию проекта у производителя компонентов.
- Техническую поддержку проекта.
- Защиту от снятия компонента с производства.
- Оценку стоимости проекта по компонентам.
- Изготовление тестовой платы монтаж и пусконаладочные работы.



Тел: +7 (812) 336 43 04 (многоканальный)

Email: [org@lifeelectronics.ru](mailto:org@lifeelectronics.ru)