



Low-Voltage Dual SPST Analog Switch

FEATURES

- Low Voltage Operation (1.8 V to 5.5 V)
- Low On-Resistance - $r_{DS(on)}$: 1.2 Ω
- Fast Switching - 14 ns
- Low Charge Injection - Q_{INJ} : 1 pC
- Low Power Consumption
- TTL/CMOS Compatible
- MSOP-8 Package

BENEFITS

- Reduced Power Consumption
- Simple Logic Interface
- High Accuracy
- Reduce Board Space

APPLICATIONS

- Cellular Phones
- Communication Systems
- Portable Test Equipment
- Battery Operated Systems
- Sample and Hold Circuits

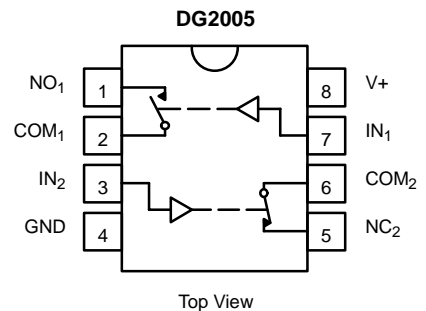
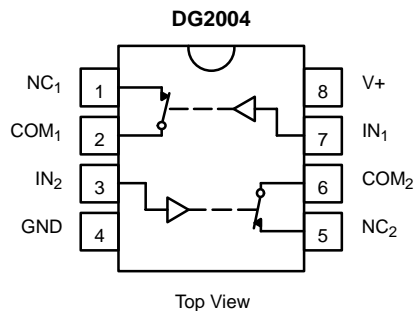
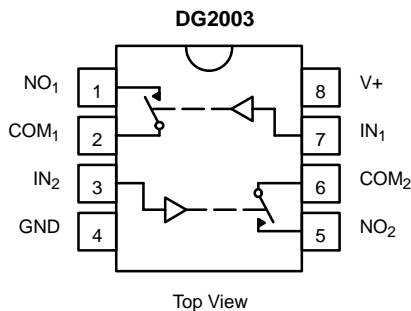
DESCRIPTION

The DG2003/2004/2005 are dual single-pole/single-throw monolithic CMOS analog switch designed for high performance switching of analog signals. Combining low power, fast switching, low on-resistance ($r_{DS(on)}$: 1.2 Ω) and small physical size (MSOP-8), the DG2003/2004/2005 are ideal for portable and battery powered applications requiring high performance and efficient use of board space.

The DG2003/2004/2005 are built on Vishay Siliconix's low voltage J12 process. An epitaxial layer prevents latchup.

Each switch conducts equally well in both directions when on, and blocks up to the power supply level when off.

FUNCTIONAL BLOCK DIAGRAM AND PIN CONFIGURATION



| TRUTH TABLE - DG2003 | |
|----------------------|-----|
| Logic | NO |
| 0 | Off |
| 1 | On |

| TRUTH TABLE - DG2004 | |
|----------------------|-----|
| Logic | NC |
| 0 | On |
| 1 | Off |

| TRUTH TABLE - DG2005 | | |
|----------------------|-----------------|-----------------|
| Logic | NO ₁ | NC ₂ |
| 0 | Off | On |
| 1 | On | Off |

| ORDERING INFORMATION | | |
|----------------------|---------|-------------|
| Temp Range | Package | Part Number |
| -40 to 85°C | MSOP-8 | DG2003DQ |
| | | DG2004DQ |
| | | DG2005DQ |



ABSOLUTE MAXIMUM RATINGS

Reference to GND

| | |
|---|----------------------|
| V+ | -0.3 to +6 V |
| IN, COM, NC, NO ³ | -0.3 to (V+ + 0.3 V) |
| Continuous Current (Any terminal) | ±50 mA |
| Peak Current (Pulsed at 1 ms, 10% duty cycle) | ±200 mA |
| Storage Temperature (D Suffix) | -65 to 150°C |

Power Dissipation (Packages)^b

| | |
|---------------------|--------|
| MSOP-8 ^c | 320 mW |
|---------------------|--------|

- Notes:
- Signals on NC, NO, or COM or IN exceeding V+ will be clamped by internal diodes. Limit forward diode current to maximum current ratings.
 - All leads welded or soldered to PC Board.
 - Derate 6.5 mW/°C above 25°C

| SPECIFICATIONS (V+ = 2.0 V) | | | | | | | |
|---|---|--|---------------------------|-----------------------|------------------|------------------|----------|
| Parameter | Symbol | Test Conditions Otherwise Unless Specified V+ = 2.0 V, ±10%, V _{IN} = 0.4 or 1.6 V ^e | Temp ^a | Limits -40 to 85°C | | | Unit |
| | | | | Min ^b | Typ ^c | Max ^b | |
| Analog Switch | | | | | | | |
| Analog Signal Range ^d | V _{NO} , V _{NC} , V _{COM} | | Full | 0 | | V+ | V |
| On-Resistance | r _{ON} | V+ = 2.0 V, V _{COM} = 1.0 V, I _{NO} , I _{NC} = 1 mA | Room Full ^d | | 7.0 12.5 | 10.0 16.0 | Ω |
| r _{ON} Flatness ^d | r _{ON} Flatness | V+ = 2.0 V, V _{COM} = 0 to V+, I _{NO} , I _{NC} = 1 mA | Room | | 5 | | |
| Switch Off Leakage Current ^f | I _{NO(off)} , I _{NC(off)} | V+ = 2.2 V V _{NO} , V _{NC} = 0.5 V/1.5 V, V _{COM} = 1.5 V/0.5 V | Room Full ^d | -500 -4.0 | | 500 4.0 | pA nA |
| | I _{COM(off)} | | Room Full ^d | -500 -4.0 | | 500 4.0 | pA nA |
| Channel-On Leakage Current ^f | I _{COM(on)} | V+ = 2.2 V, V _{NO} , V _{NC} = V _{COM} = 0.5 V/1.5 V | Room Full ^d | -500 -4.0 | | 500 4.0 | pA nA |
| Digital Control | | | | | | | |
| Input High Voltage | V _{INH} | | Full | 1.6 | | | V |
| Input Low Voltage | V _{INL} | | Full | | | 0.4 | |
| Input Capacitance ^d | C _{in} | | Full | | 5 | | pF |
| Input Current | I _{INL} or I _{INH} | V _{IN} = 0 or V+ | Full | -1 | | 1 | μA |
| Dynamic Characteristics | | | | | | | |
| Turn-On Time | t _{ON} | V _{NO} or V _{NC} = 1.5 V, R _L = 300 Ω, C _L = 35 pF Figures 1 and 2 | Room Full ^d | | 30 | 47 48 | ns |
| Turn-Off Time | t _{OFF} | | Room Full ^d | | 22 | 37 48 | |
| Charge Injection ^d | Q _{INJ} | C _L = 1 nF, V _{GEN} = 0 V, R _{GEN} = 0 Ω, Figure 3 | Room | | 2 | | pC |
| Off-Isolation ^d | OIRR | R _L = 50 Ω, C _L = 5 pF, f = 1 MHz | Room | | -61 | | dB |
| Crosstalk ^d | X _{TALK} | | Room | | -67 | | |
| NO, NC Off Capacitance ^d | C _{NO(off)} , C _{NC(off)} | V _{IN} = 0 or V+, f = 1 MHz | Room | | 53 | | pF |
| Channel-On Capacitance ^d | C _{ON} | | Room | | 110 | | |
| Power Supply | | | | | | | |
| Power Supply Range | V+ | | | 1.8 | | 2.2 | V |
| Power Supply Current ^d | I+ | V _{IN} = 0 or V+ | | | 0.02 | 1.0 | μA |
| Power Consumption | P _C | | | | | | 2.2 |



| SPECIFICATIONS (V+ = 3.0 V) | | | | | | | |
|---|---|--|-------------------|-----------------------|------------------|------------------|----------|
| Parameter | Symbol | Test Conditions Otherwise Unless Specified V+ = 3 V, ± 10%, VIN = 0.4 or 2.0 V ^e | Temp ^a | Limits -40 to 85°C | | | Unit |
| | | | | Min ^b | Typ ^c | Max ^b | |
| Analog Switch | | | | | | | |
| Analog Signal Range ^d | V _{NO} , V _{NC} , V _{COM} | | Full | 0 | | V+ | V |
| On-Resistance | r _{ON} | V+ = 2.7 V, V _{COM} = 1.5 V, I _{NO} , I _{NC} = 10 mA | Room Full | | 2.2 2.4 | 3.5 3.7 | Ω |
| r _{ON} Flatness ^d | r _{ON} Flatness | V+ = 2.7 V, V _{COM} = 0 to V+, I _{NO} , I _{NC} = 10 mA | Room | | 0.5 | | |
| Switch Off Leakage Current ^f | I _{NO(off)} , I _{NC(off)} | V+ = 3.3 V V _{NO} , V _{NC} = 1 V/3 V, V _{COM} = 3 V/1 V | Room Full | -500 -6.0 | | 500 6.0 | pA nA |
| | I _{COM(off)} | | Room Full | -500 -6.0 | | 500 6.0 | pA nA |
| Channel-On Leakage Current ^f | I _{COM(on)} | V+ = 3.3 V, V _{NO} , V _{NC} = V _{COM} = 1 V/3 V | Room Full | -500 -6.0 | | 500 6.0 | pA nA |
| Digital Control | | | | | | | |
| Input High Voltage | V _{INH} | | Full | 2 | | | V |
| Input Low Voltage | V _{INL} | | Full | | | 0.4 | |
| Input Capacitance ^d | C _{in} | | Full | | 5 | | pF |
| Input Current | I _{INL} or I _{INH} | V _{IN} = 0 or V+ | Full | -1 | | 1 | μA |
| Dynamic Characteristics | | | | | | | |
| Turn-On Time ^d | t _{ON} | V _{NO} or V _{NC} = 2.0 V, R _L = 300 Ω, C _L = 35 pF Figure 1 and 2 | Room Full | | 19 | 35 36 | ns |
| Turn-Off Time ^d | t _{OFF} | | Room Full | | 17 | 31 34 | |
| Charge Injection ^d | Q _{INJ} | C _L = 1 nF, V _{GEN} = 0 V, R _{GEN} = 0 Ω, Figure 3 | Room | | 1 | | pC |
| Off-Isolation ^d | OIRR | R _L = 50 Ω, C _L = 5 pF, f = 1 MHz | Room | | -61 | | dB |
| Crosstalk ^d | X _{TALK} | | Room | | -67 | | |
| NO, NC Off Capacitance ^d | C _{NO(off)} , C _{NC(off)} | V _{IN} = 0 or V+, f = 1 MHz | Room | | 53 | | pF |
| Channel-On Capacitance ^d | C _{ON} | | Room | | 110 | | |
| Power Supply | | | | | | | |
| Power Supply Range | V+ | | | 2.7 | | 3.3 | V |
| Power Supply Current | I+ | V _{IN} = 0 or V+ | | | 0.02 | 1.0 | μA |
| Power Consumption | P _C | | | | | | 3.3 |



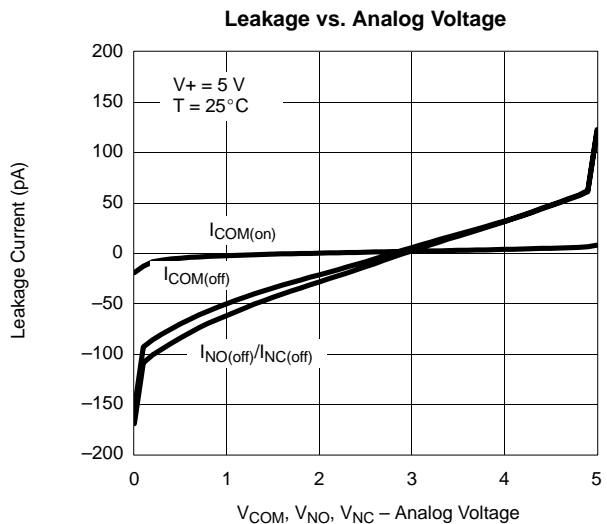
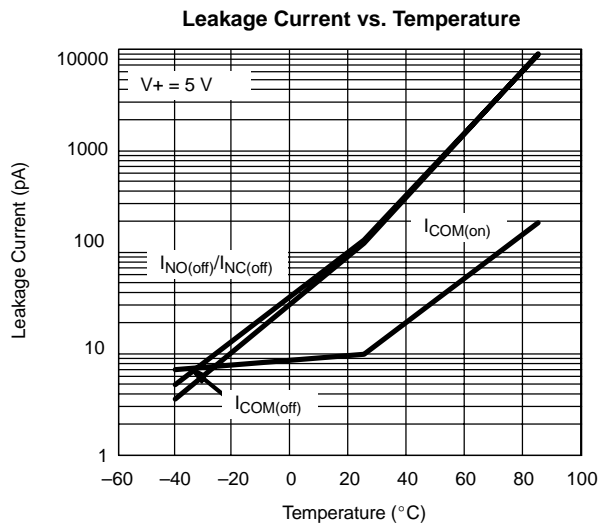
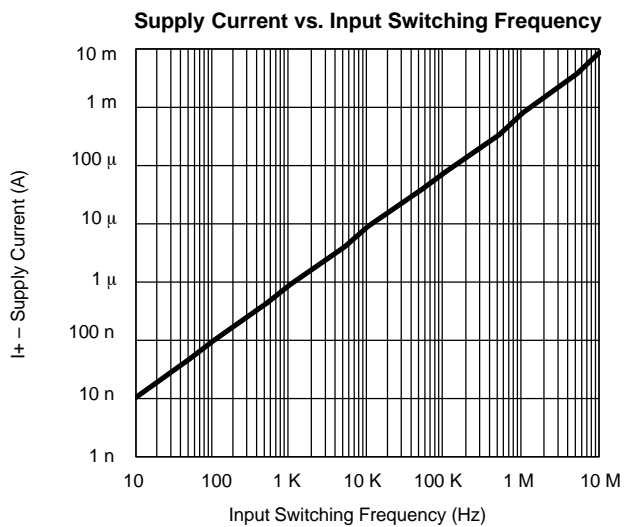
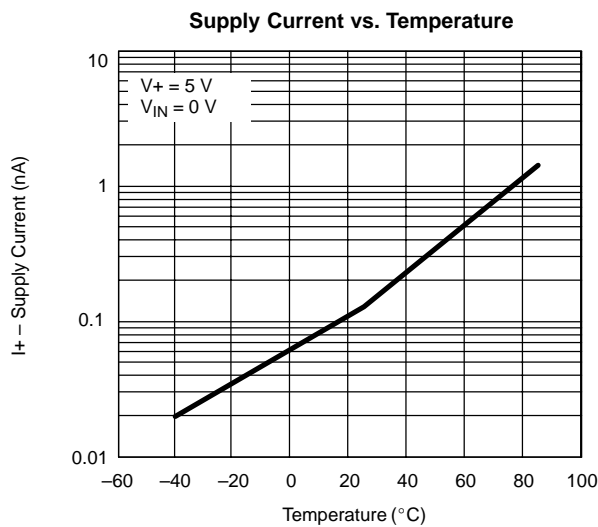
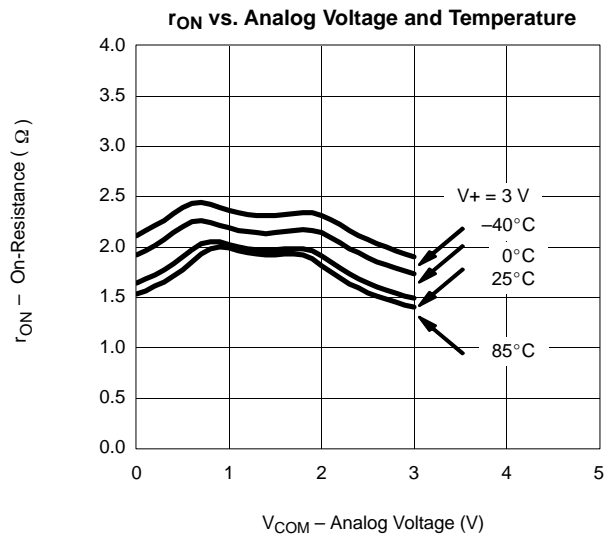
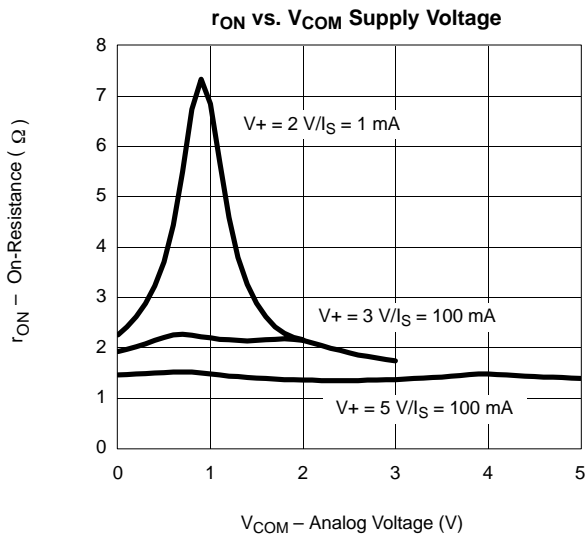
| SPECIFICATIONS (V+ = 5.0 V) | | | | | | | |
|---------------------------------------|---|--|-------------------|-----------------------|------------------|------------------|------|
| Parameter | Symbol | Test Conditions Otherwise Unless Specified V+ = 5 V, ± 10%, VIN = 0.8 or 2.4 V ^e | Temp ^a | Limits -40 to 85°C | | | Unit |
| | | | | Min ^b | Typ ^c | Max ^b | |
| Analog Switch | | | | | | | |
| Analog Signal Range ^d | V _{NO} , V _{NC} , V _{COM} | | Full | 0 | | V+ | V |
| On-Resistance | r _{ON} | V+ = 4.5 V, V _{COM} = 3 V, I _{NO} , I _{NC} = 10 mA | Room Full | | 1.2 1.6 | 2.5 2.7 | Ω |
| r _{ON} Flatness ^d | r _{ON} Flatness | V+ = 4.5 V, V _{COM} = 0 to V+, I _{NO} , I _{NC} = 10 mA | Room | | 0.2 | | |
| Switch Off Leakage Current | I _{NO(off)} , I _{NC(off)} | V+ = 5.5 V V _{NO} , V _{NC} = 1 V/4.5 V, V _{COM} = 4.5 V/1 V | Room Full | -1.0 -8.0 | | 1.0 8.0 | nA |
| | I _{COM(off)} | | Room Full | -1.0 -8.0 | | 1.0 8.0 | |
| Channel-On Leakage Current | I _{COM(on)} | V+ = 5.5 V, V+ = 5.5 V V _{NO} , V _{NC} = V _{COM} = 1 V/4.5 V | Room Full | -1.0 -8.0 | | 1.0 8.0 | |
| Digital Control | | | | | | | |
| Input High Voltage | V _{INH} | | Full | 2.4 | | | V |
| Input Low Voltage | V _{INL} | | Full | | | 0.8 | |
| Input Capacitance | C _{in} | | Full | | 5 | | pF |
| Input Current | I _{INL} or I _{INH} | V _{IN} = 0 or V+ | Full | -1 | | 1 | μA |
| Dynamic Characteristics | | | | | | | |
| Turn-On Time ^d | t _{ON} | V _{NO} or V _{NC} = 3 V, R _L = 300 Ω, C _L = 35 pF Figure 1 and 2 | Room Full | | 13 | 28 31 | ns |
| Turn-Off Time ^d | t _{OFF} | | Room Full | | 19 | 22 31 | |
| Charge Injection ^d | Q _{INJ} | C _L = 1 nF, V _{GEN} = 0 V, R _{GEN} = 0 Ω, Figure 3 | Room | | 1 | | pC |
| Off-Isolation ^d | OIRR | R _L = 50 Ω, C _L = 5 pF, f = 1 MHz | Room | | -61 | | dB |
| Crosstalk ^d | X _{TALK} | | Room | | -67 | | |
| Source-Off Capacitance ^d | C _{NO(off)} , C _{NC(off)} | V _{IN} = 0 or V+, f = 1 MHz | Room | | 51 | | pF |
| Channel-On Capacitance ^d | C _{ON} | | Room | | 110 | | |
| Power Supply | | | | | | | |
| Power Supply Range | V+ | | | 4.5 | | 5.5 | V |
| Power Supply Current | I+ | V _{IN} = 0 or V+ | | | 0.02 | 1.0 | μA |
| Power Consumption | P _C | | | | | | 5.5 |

Notes:

- Room = 25°C, Full = as determined by the operating suffix.
- The algebraic convention whereby the most negative value is a minimum and the most positive a maximum, is used in this data sheet.
- Typical values are for design aid only, not guaranteed nor subject to production testing.
- Guarantee by design, nor subjected to production test.
- V_{IN} = input voltage to perform proper function.
- Guaranteed by 5-V leakage testing, not production tested.



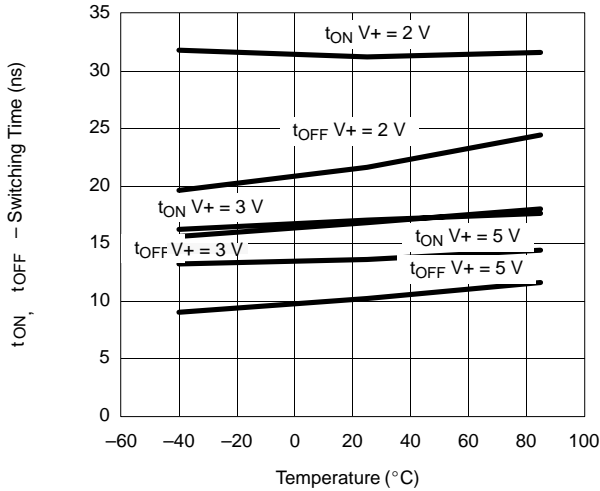
TYPICAL CHARACTERISTICS (25°C UNLESS NOTED)



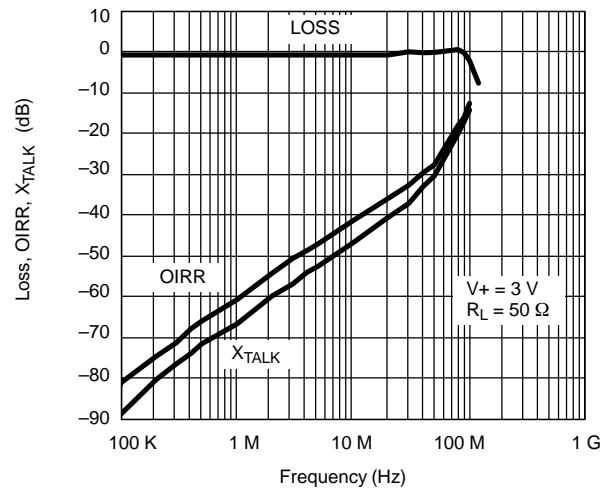


TYPICAL CHARACTERISTICS (25°C UNLESS NOTED)

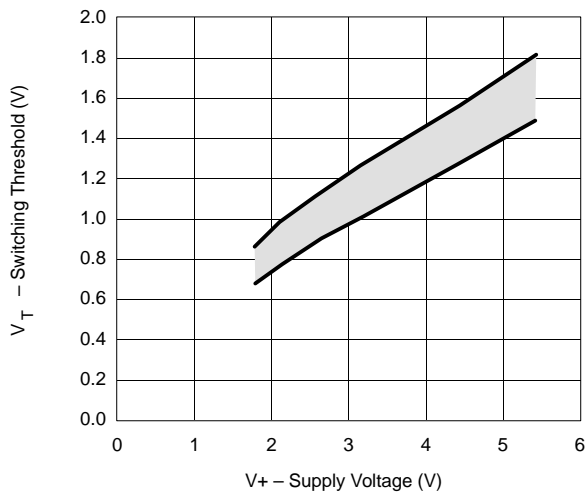
Switching Time vs. Temperature and Supply Voltage



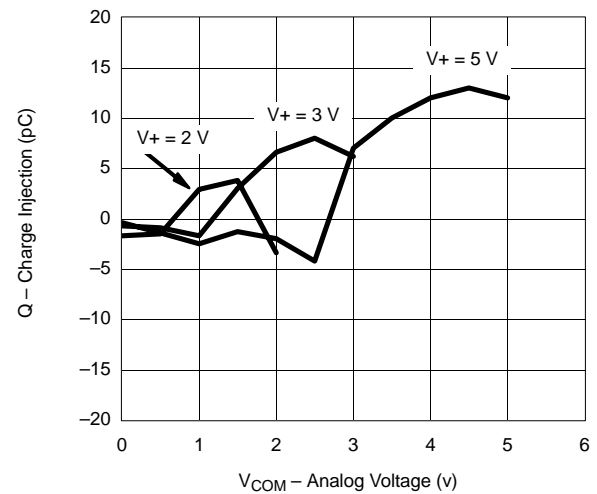
Insertion Loss, Off-Isolation, Crosstalk vs. Frequency

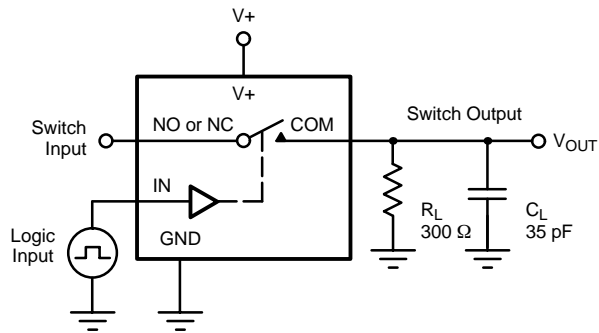


Switching Threshold vs. Supply Voltage



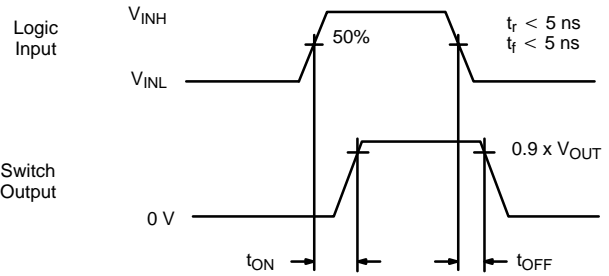
Charge Injection vs. Analog Voltage



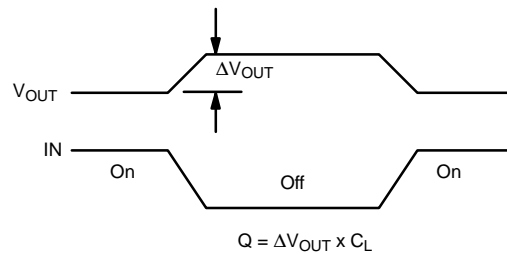
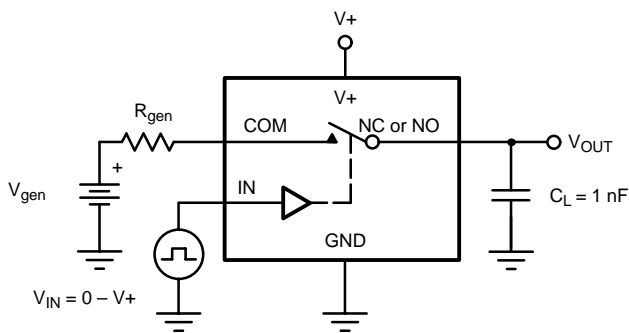
TEST CIRCUITS


C_L (includes fixture and stray capacitance)

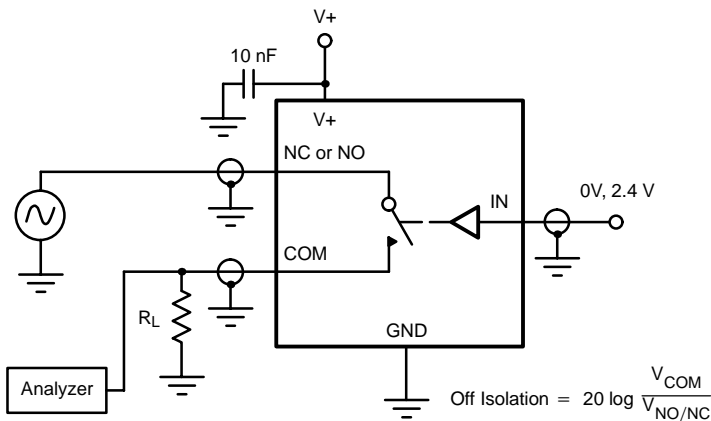
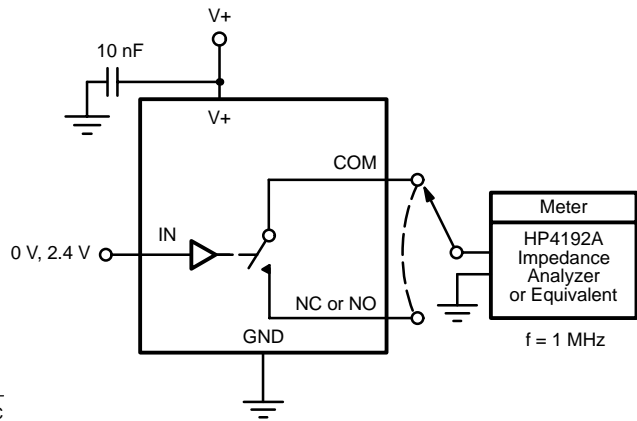
$$V_{OUT} = V_{COM} \left(\frac{R_L}{R_L + R_{ON}} \right)$$



Logic "1" = Switch On
 Logic input waveforms inverted for switches that have the opposite logic sense.

FIGURE 1. Switching Time


IN depends on switch configuration: input polarity determined by sense of switch.

FIGURE 2. Charge Injection

FIGURE 3. Off-Isolation

FIGURE 4. Channel Off/On Capacitance



Disclaimer

All product specifications and data are subject to change without notice.

Vishay Intertechnology, Inc., its affiliates, agents, and employees, and all persons acting on its or their behalf (collectively, "Vishay"), disclaim any and all liability for any errors, inaccuracies or incompleteness contained herein or in any other disclosure relating to any product.

Vishay disclaims any and all liability arising out of the use or application of any product described herein or of any information provided herein to the maximum extent permitted by law. The product specifications do not expand or otherwise modify Vishay's terms and conditions of purchase, including but not limited to the warranty expressed therein, which apply to these products.

No license, express or implied, by estoppel or otherwise, to any intellectual property rights is granted by this document or by any conduct of Vishay.

The products shown herein are not designed for use in medical, life-saving, or life-sustaining applications unless otherwise expressly indicated. Customers using or selling Vishay products not expressly indicated for use in such applications do so entirely at their own risk and agree to fully indemnify Vishay for any damages arising or resulting from such use or sale. Please contact authorized Vishay personnel to obtain written terms and conditions regarding products designed for such applications.

Product names and markings noted herein may be trademarks of their respective owners.

Компания «Life Electronics» занимается поставками электронных компонентов импортного и отечественного производства от производителей и со складов крупных дистрибьюторов Европы, Америки и Азии.

С конца 2013 года компания активно расширяет линейку поставок компонентов по направлению коаксиальный кабель, кварцевые генераторы и конденсаторы (керамические, пленочные, электролитические), за счёт заключения дистрибьюторских договоров

Мы предлагаем:

- Конкурентоспособные цены и скидки постоянным клиентам.
- Специальные условия для постоянных клиентов.
- Подбор аналогов.
- Поставку компонентов в любых объемах, удовлетворяющих вашим потребностям.
- Приемлемые сроки поставки, возможна ускоренная поставка.
- Доставку товара в любую точку России и стран СНГ.
- Комплексную поставку.
- Работу по проектам и поставку образцов.
- Формирование склада под заказчика.
- Сертификаты соответствия на поставляемую продукцию (по желанию клиента).
- Тестирование поставляемой продукции.
- Поставку компонентов, требующих военную и космическую приемку.
- Входной контроль качества.
- Наличие сертификата ISO.

В составе нашей компании организован Конструкторский отдел, призванный помогать разработчикам, и инженерам.

Конструкторский отдел помогает осуществить:

- Регистрацию проекта у производителя компонентов.
- Техническую поддержку проекта.
- Защиту от снятия компонента с производства.
- Оценку стоимости проекта по компонентам.
- Изготовление тестовой платы монтаж и пусконаладочные работы.



Тел: +7 (812) 336 43 04 (многоканальный)
Email: org@lifeelectronics.ru