



DIN Dimension Fuses To Spec. DIN 43.625

This product group covers current limiting fuses with dimensions to DIN 43.625 and performance in compliance with IEC 282-1.

Advantages of Edison High Voltage Current - Limiting Fuse

The low power dissipation of Edison fuses ensures low temperature rise of switchgear in which they are incorporated.

The elements use the 'M' (metallurgical) effect, similar to that used in low voltage fuses. This ensures that, with melting on long time overloads, excessive temperatures are not reached and damage to switchgear components, such as epoxy encapsulating enclosures, is thus prevented. Fuses of Continental European manufacture which in general do not employ this feature are not only hotter running by comparison but also usually need to employ a higher current rating of fuse for the same service; thus an Edison 40A fuse is equivalent in terms of thermal performance to many Continental European types of 63A rating.

Edison fuses exhibit considerable limitation of current and I^2t under short circuit conditions. The stress on circuit components is thereby minimized and the reduction of energy release at the fault reduces fire risks.

Switching (arc) voltages are appreciably less than permitted values and fall with lower values of recovery voltage. The use of, for example, 12 kV fuse on 6/7.2 kV systems is therefore permissible.

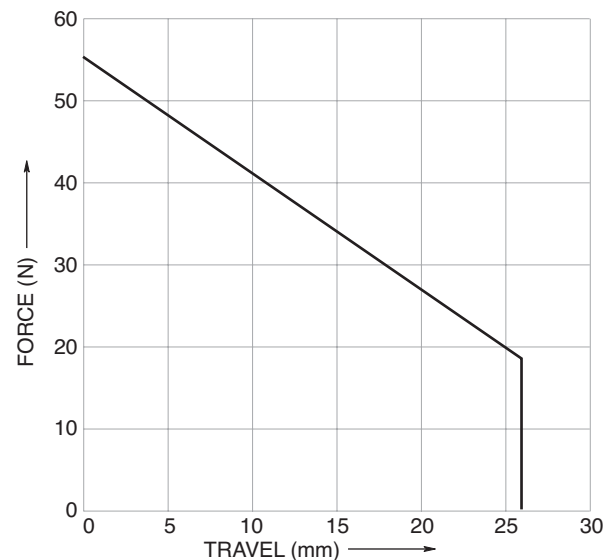
Striker Characteristics

The spring operated striker pin has a travel and energy output in compliance with the requirements of DIN 43625 and IEC 282-1.

Travel is approx. 26mm

Energy Output is approx. 0.6 joule

Force/Travel Output Characteristics



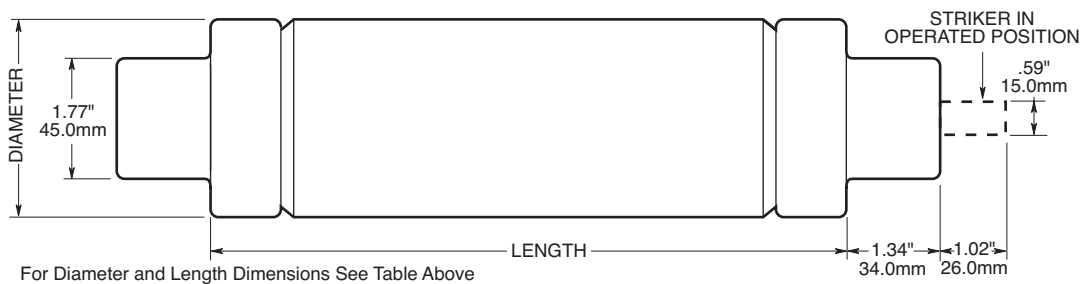
Current Ratings

These are in accordance with the R10 and, in some cases, the R20 series of preferred numbers.

Table of Ratings and Dimensions

KV	Catalog No.	Rating Amps	Dimensions Inches and mm Diameter x Length	Type	IR RMS Symm		
3.6	3.6AD0SJ(amp) 3.6WD0SJ(amp)	6.3, 10, 16, 20, 25, 31.5, 40 50, 63, 80, 100, 125	2.00" x 7.56" 51 x 192	3.6/7.2	50KA		
	3.6WF0SJ(amp) 3.6WFSJ(amp)	160 200	3.00" x 7.56" 76 x 192				
	3.6ADLSJ(amp) 3.6WDLSJ(amp)	6.3, 10, 16, 20, 25, 31.5, 40 50, 63, 80, 100, 125	2.00" x 11.50" 51 x 292	10/12			
	3.6WFLSJ(amp) 3.6WKL SJ(amp)	160, 200 250, 315, 400	3.00" x 11.50" 76 X 292				
	7.2	7.2SDL SJ(amp) 7.2SDL SJ(amp)	6.3, 10, 16, 20, 25, 31.5 40, 50, 63	2.00" x 11.50" 51 x 292		10/12	40KA
		7.2SFLSJ(amp) 7.2SFLSJ(amp)	80, 100 125, 160	3.00" x 11.50" 76 x 292			
7.2WKMSJ(amp) 7.2WKMSJ(amp)		200, 225 250, 315, 355	3.00" x 17.41" 76 x 442	20/24			
12		12SDL SJ(amp) 12SDL SJ(amp)	6.3, 10, 16, 20, 25, 31.5 40, 50, 63	2.00" x 11.50" 51 x 292	10/12	50KA	
	12SFLSJ(amp) 12SKLSJ(amp) 12SKLSJ(amp)	50, 63, 80, 100 125 160, 200	3.00" x 11.50" 76 x 292 3.50" x 11.50" 88 x 292				
	17.5	17.5SDL SJ(amp) 17.5SDL SJ(amp)	6.3, 10, 16, 20 25, 31.5, 40, 50	2.00" x 11.50" 51 x 292	10/12		35.5KA
		17.5SFLSJ(amp) 17.5SFLSJ(amp)	31.5 40, 50	3.00" x 11.50" 76 x 292			
17.5SDMSJ(amp) 17.5SDMSJ(amp)		6.3, 10, 16 20, 25, 31.5, 40	2.00" x 17.41" 51 x 442	20/24			
17.5SFMSJ(amp) 17.5SFMSJ(amp)		40, 50 63, 80	3.00" x 17.41" 76 x 442				
15.5	15.5SFMSJ(amp) 15.5SKMSJ(amp)	100 125	3.00" x 17.41" 76 x 442	20/24	25KA		
24	24SFMSJ(amp)	40, 50, 63, 71	3.00" x 17.41" 76 x 442	20/24	50KA		
25	25SFMSJ(amp)	40, 50, 63, 71	3.00" x 17.41" 76 x 442	20/24	25KA		
27.6	27.6SDMSJ(amp) 27.6SDMSJ(amp)	6.3, 10, 16 20, 25	2.00" x 17.41" 51 x 442	20/24	25KA		
	27.6SFMSJ(amp) 27.6SFMSJ(amp)	31.5, 40 50	3.00" x 17.41" 76 x 442				
	36	36SDQSJ(amp) 36SDQSJ(amp)	31.5, 6.3, 10, 16 20, 25	2.00" x 21.16" 51 x 537		30/36	35.5KA
36SFQSJ(amp) 36SFQSJ(amp)		31.5, 40 50, 56	3.00" x 21.16" 51 x 537				

Dimensions (Inches and mm)



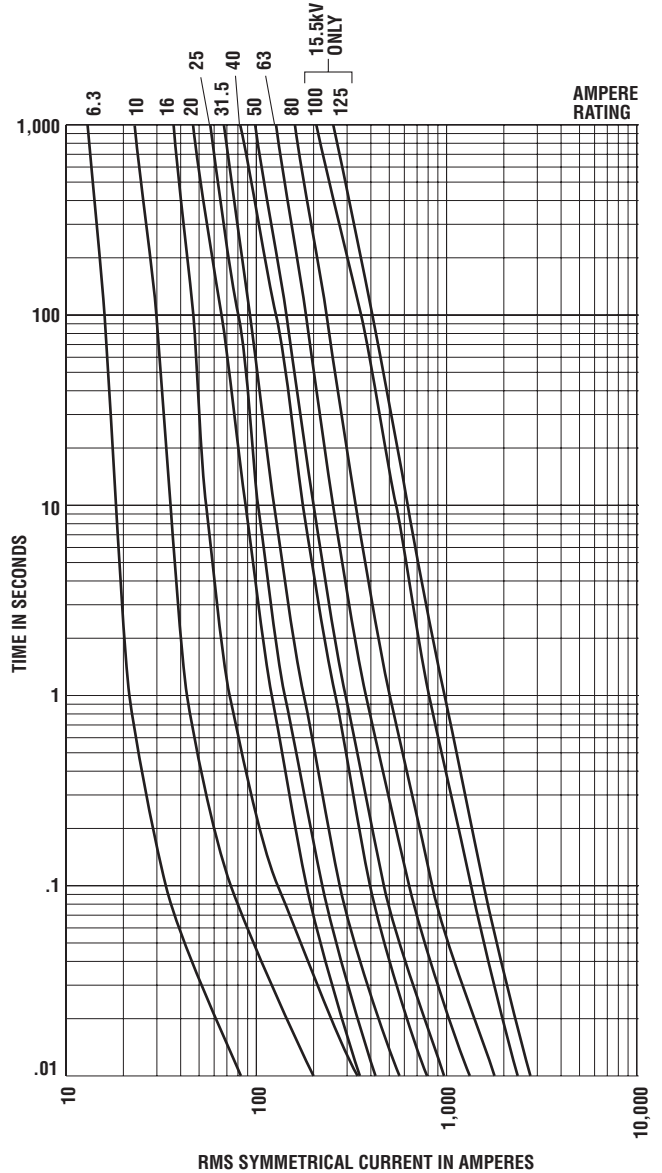
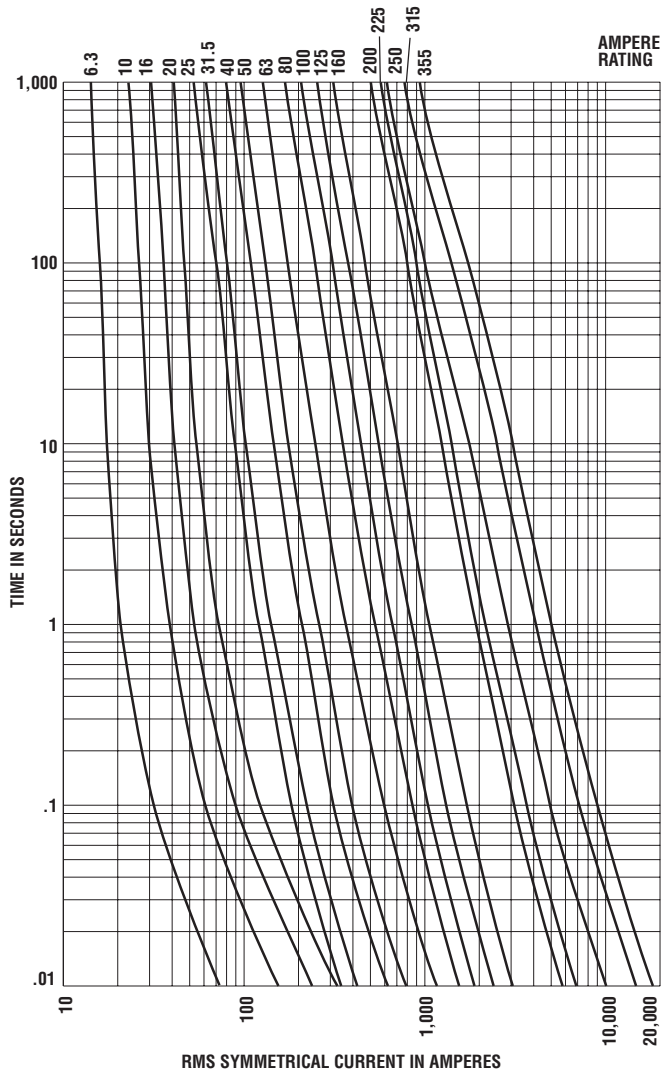


HIGH VOLTAGE DIN DISTRIBUTION 3.6 kV – 36 kV FUSES

Time-Current Characteristics—Average

For 7.2 kV Fuses:
 7.2SDLSJ
 7.2SFLSJ
 7.2WKMSJ

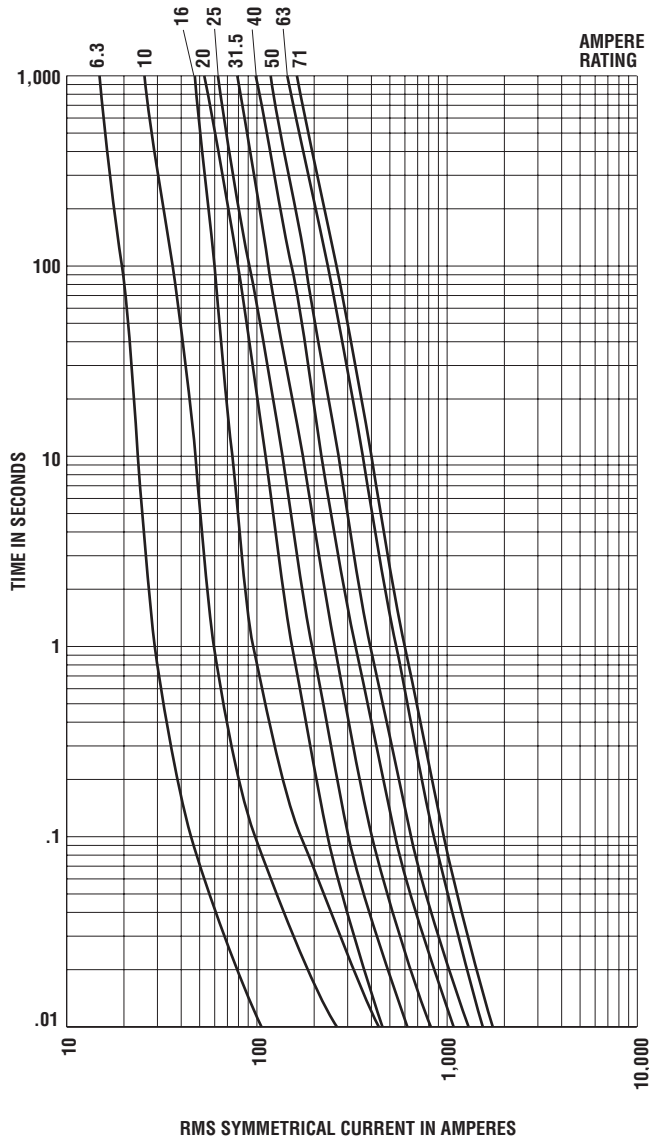
For 17.5 kV Fuses:
 17.5SDLSJ 17.5SFMSJ
 17.5SFLSJ 15.5SFMSJ
 17.5SDMSJ 15.5SKMSJ



Average Time/Current-Curve

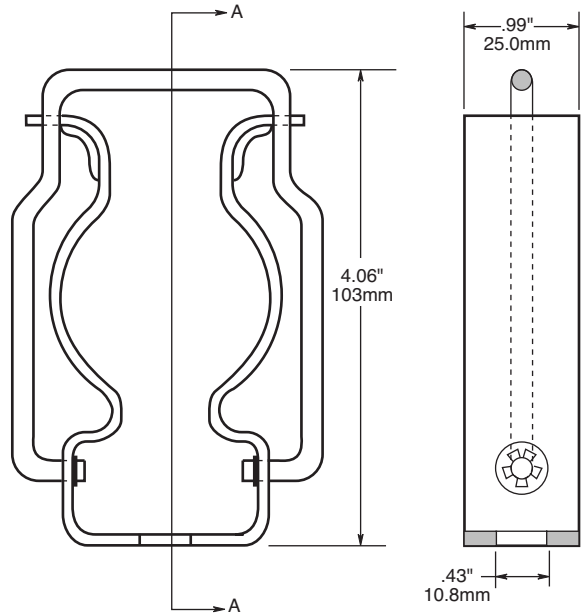
For 24-27.6 kV Fuses:

- 27.6SDMSJ
- 27.6SFMSJ
- 25SFMSJ
- 24SFMSJ



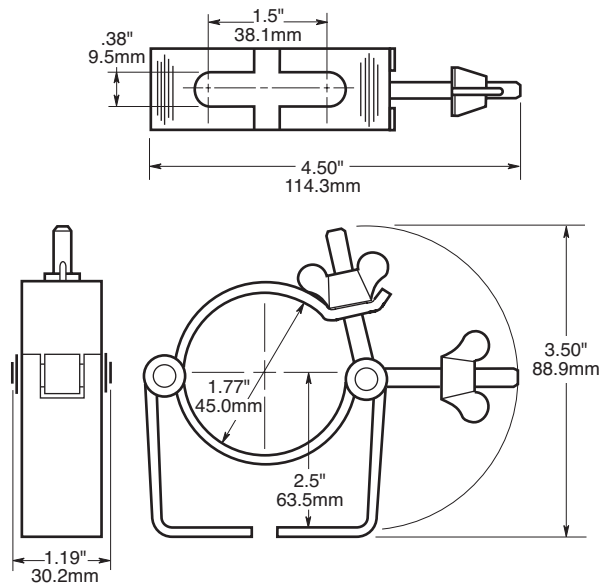
Din Fuse Clips

Suitable for use with all DIN HV fuses having 45mm end fittings.



Part No. 2703

For Standard Duty (up to 200A)



Part No. A3354745

Heavy Duty

General Guide to the Selection of Fuses. For use in the Primary Circuit of Three-Phase Transformers

Transformer 3ph kVA	Fuse Reference and Rating in Amps									
Fuse kV →	3.6kV	7.2kV			12kV	17.5kV			24kV	
System kV →	2.4kV	4.16kV	6.9kV	10kV	12.47kV	13.2kV	13.8kV	15.5kV	20kV	25kV
25	ADLSJ 16	SDLSJ 10	SDLSJ 6.3	SDLSJ 6.3	SDMSJ 6.3	SDMSJ 6.3	SDMSJ 6.3	SDMSJ 6.3	SDMSJ 6.3	SDMSJ 6.3
30	ADLSJ 16	SDLSJ 10	SDLSJ 6.3	SDLSJ 6.3	SDMSJ 6.3	SDMSJ 6.3	SDMSJ 6.3	SDMSJ 6.3	SDMSJ 6.3	SDMSJ 6.3
40	ADLSJ 20	SDLSJ 16	SDLSJ 10	SDLSJ 6.3	SDMSJ 6.3	SDMSJ 6.3	SDMSJ 6.3	SDMSJ 6.3	SDMSJ 6.3	SDMSJ 6.3
45	ADLSJ 20	SDLSJ 16	SDLSJ 10	SDLSJ 6.3	SDMSJ 6.3	SDMSJ 6.3	SDMSJ 6.3	SDMSJ 6.3	SDMSJ 6.3	SDMSJ 6.3
63	ADLSJ 31.5	SDLSJ 20	SDLSJ 16	SDLSJ 10	SDMSJ 10	SDMSJ 10	SDMSJ 6.3	SDMSJ 6.3	SDMSJ 6.3	SDMSJ 6.3
75	ADLSJ 40	SDLSJ 25	SDLSJ 16	SDLSJ 10	SDMSJ 10	SDMSJ 10	SDMSJ 10	SDMSJ 10	SDMSJ 6.3	SDMSJ 6.3
100	ADLSJ 40	SDLSJ 25	SDLSJ 20	SDLSJ 10	SDMSJ 10	SDMSJ 10	SDMSJ 10	SDMSJ 10	SDMSJ 10	SDMSJ 6.3
112	ADLSJ 40	SDLSJ 31.5	SDLSJ 20	SDLSJ 16	SDMSJ 10	SDMSJ 10	SDMSJ 10	SDMSJ 10	SDMSJ 10	SDMSJ 6.3
125	WDLSJ 50	SDLSJ 31.5	SDLSJ 25	SDLSJ 16	SDMSJ 10	SDMSJ 10	SDMSJ 10	SDMSJ 10	SDMSJ 10	SDMSJ 10
150	WDLSJ 50	SDLSJ 40	SDLSJ 25	SDLSJ 16	SDMSJ 16	SDMSJ 16	SDMSJ 16	SDMSJ 10	SDMSJ 10	SDMSJ 10
200	WDLSJ 63	SDLSJ 50	SDLSJ 31.5	SDLSJ 20	SDMSJ 16	SDMSJ 16	SDMSJ 16	SDMSJ 16	SDMSJ 10	SDMSJ 10
225	WDLSJ 80	SDLSJ 80	SDLSJ 40	SDLSJ 20	SDMSJ 16	SDMSJ 16	SDMSJ 16	SDMSJ 16	SDMSJ 10	SDMSJ 10
300	WDLSJ 100	SDLSJ 63	SDLSJ 40	SDLSJ 25	SDMSJ 20	SDMSJ 20	SDMSJ 20	SDMSJ 20	SDMSJ 16	SDMSJ 10
400	WDLSJ 125	SDLSJ 80	SDLSJ 50	SDLSJ 31.5	SDMSJ 31.5	SDMSJ 25	SDMSJ 25	SDMSJ 20	SDMSJ 20	SDMSJ 20
450	WFLSJ 160	SFLSJ 80	SDLSJ 63	SDLSJ 40	SDMSJ 31.5	SDMSJ 31.5	SDMSJ 31.5	SDMSJ 25	SDMSJ 20	SDMSJ 20
500	WFLSJ 160	SFLSJ 100	SDLSJ 63	SDLSJ 40	SDMSJ 31.5	SDMSJ 31.5	SDMSJ 31.5	SDMSJ 31.5	SDMSJ 25	SDMSJ 20
600	WFLSJ 200	SFLSJ 125	SFLSJ 80	SFLSJ 50	SDMSJ 40	SDMSJ 40	SDMSJ 40	SDMSJ 31.5	SDMSJ 25	SDMSJ 20
750	WKLSJ 250	SFLSJ 160	SFLSJ 80	SFLSJ 63	SFMSJ 50	SDMSJ 50	SDMSJ 40	SDMSJ 40	SDMSJ 31.5	SDMSJ 25
1000	WKLSJ 315	WKMSJ 200	SFLSJ 125	SFLSJ 80	SFMSJ 63	SFMSJ 63	SFMSJ 63	SFMSJ 50	SFMSJ 40	SDMSJ 31.5
1250	WKLSJ 400	WKMSJ 250	SFLSJ 160	SFLSJ 100	SFMSJ 80	SFMSJ 80	SFMSJ 80	SFMSJ 63	SFMSJ 50	SFMSJ 40
1500	–	WKMSJ 315	SFLSJ 160	SKLSJ 125	SFMSJ 100*	SFMSJ 100*	SFMSJ 80	SFMSJ 80	SFMSJ 63	SFMSJ 50
2000	–	–	WKMSJ 250	–	SKMSJ 125*	SKMSJ 125*	SKMSJ 125*	SFMSJ 100*	SFMSJ 71	–
2500	–	–	WKMSJ 315	–	–	–	–	SKMSJ 125*	–	–

*Fuse rated 15.5kV max.

Selection of these fuses has been based on a compromise between the following:

1. The fuse should withstand transformer magnetizing inrush currents, taken as 12 times full load current for 0.1 seconds.
2. The fuse should discriminate with the highest rating of the secondary fuse likely to be used.
3. The fuse should operate reasonably quickly in the event of a transformer inter-turn fault or a fault in the secondary terminal zone of the transformer.

NOTES:

- A. In general, the recommendations apply equally to the use of fuse in open air or in an encapsulated enclosure, since “1” and “2” above dictate the use of a fuse current rating sufficiently above the transformer current rating to nullify any adverse thermal affect of encapsulation. However, if the transformer is subjected to long time overcurrents, a higher rate of fuse may be required.
- B. The above recommendations are not generally applicable to transformers feeding motor circuits with starting currents in excess of the rated current of the fuse. In this event, please consult your local Edison office.
- C. Recommendations for other voltages are available on request.
- D. While the above recommendations give a good general guide, recommendations for specific cases will be sent on receipt of full details of the application.

Компания «Life Electronics» занимается поставками электронных компонентов импортного и отечественного производства от производителей и со складов крупных дистрибьюторов Европы, Америки и Азии.

С конца 2013 года компания активно расширяет линейку поставок компонентов по направлению коаксиальный кабель, кварцевые генераторы и конденсаторы (керамические, пленочные, электролитические), за счёт заключения дистрибьюторских договоров

Мы предлагаем:

- Конкурентоспособные цены и скидки постоянным клиентам.
- Специальные условия для постоянных клиентов.
- Подбор аналогов.
- Поставку компонентов в любых объемах, удовлетворяющих вашим потребностям.
- Приемлемые сроки поставки, возможна ускоренная поставка.
- Доставку товара в любую точку России и стран СНГ.
- Комплексную поставку.
- Работу по проектам и поставку образцов.
- Формирование склада под заказчика.
- Сертификаты соответствия на поставляемую продукцию (по желанию клиента).
- Тестирование поставляемой продукции.
- Поставку компонентов, требующих военную и космическую приемку.
- Входной контроль качества.
- Наличие сертификата ISO.

В составе нашей компании организован Конструкторский отдел, призванный помогать разработчикам, и инженерам.

Конструкторский отдел помогает осуществить:

- Регистрацию проекта у производителя компонентов.
- Техническую поддержку проекта.
- Защиту от снятия компонента с производства.
- Оценку стоимости проекта по компонентам.
- Изготовление тестовой платы монтаж и пусконаладочные работы.



Тел: +7 (812) 336 43 04 (многоканальный)

Email: org@lifeelectronics.ru