



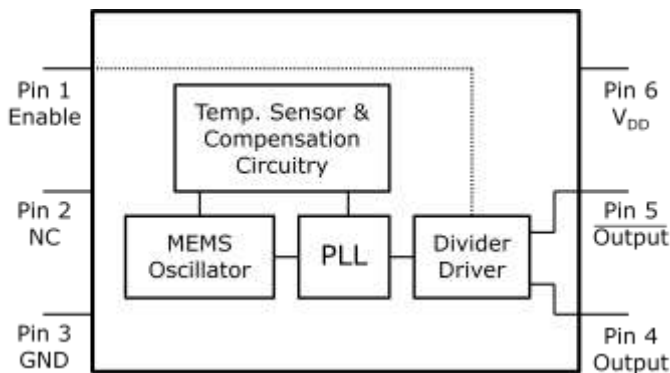
## Programmable Low-Jitter Precision LVPECL Oscillator

### General Description

The DSC8102 & DSC8122 series of high performance field-programmable oscillators utilizes a proven silicon MEMS technology to provide excellent jitter and stability over a wide range of supply voltages and temperatures. Using the TIMEFLASH programmer, the end user can easily program the oscillators' frequency in the field for immediate testing or use in advance prototype development or production.

DSC8102 has a standby feature allowing it to completely power-down when EN pin is pulled low; whereas for DSC8122, only the outputs are disabled when EN is low. Both oscillators are available in industry standard packages, including the small 3.2x2.5 mm<sup>2</sup>, and are "drop-in" replacement for standard 6-pin LVPECL quartz oscillators.

### Block Diagram



### Output Enable Modes

| EN Pin | DSC8102        | DSC8122          |
|--------|----------------|------------------|
| High   | Outputs Active | Outputs Active   |
| NC     | Outputs Active | Outputs Active   |
| Low    | Standby        | Outputs Disabled |

### Features

- **Low RMS Phase Jitter: <1 ps (typ)**
- **High Stability: ±10, ±25, ±50 ppm**
- **Wide Temperature Range**
  - Industrial: -40° to 85° C
  - Ext. commercial: -20° to 70° C
- **High Supply Noise Rejection: -50 dBc**
- **Short Lead Time: 2 Weeks**
- **Wide Freq. Range: 10 to 460 MHz**
- **Small Industry Standard Footprints**
  - 2.5x2.0, 3.2x2.5, 5.0x3.2, & 7.0x5.0 mm
- **Excellent Shock & Vibration Immunity**
  - Qualified to MIL-STD-883
- **High Reliability**
  - 20x better MTF than quartz oscillators
- **Low Current Consumption**
- **Supply Range of 2.25 to 3.6 V**
- **Standby & Output Enable Function**
- **Lead Free & RoHS Compliant**
- **LVDS & HCSL Versions Available**
- **AEC-Q100 Automotive Qualified**

### Applications

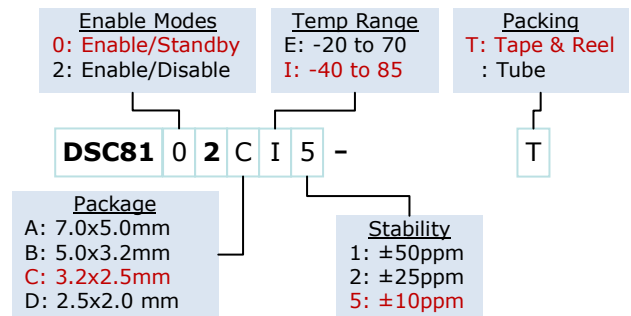
- **Storage Area Networks**
  - SATA, SAS, Fibre Channel
- **Passive Optical Networks**
  - EPON, 10G-EPON, GPON, 10G-PON
- **Ethernet**
  - 1G, 10GBASE-T/KR/LR/SR, and FCoE
- **HD/SD/SDI Video & Surveillance**
- **PCI Express: Gen 1 & Gen 2**
- **DisplayPort**

## Absolute Maximum Ratings

| Item           | Min  | Max          | Unit | Condition  |
|----------------|------|--------------|------|------------|
| Supply Voltage | -0.3 | +4.0         | V    |            |
| Input Voltage  | -0.3 | $V_{DD}+0.3$ | V    |            |
| Junction Temp  | -    | +150         | °C   |            |
| Storage Temp   | -55  | +150         | °C   |            |
| Soldering Temp | -    | +260         | °C   | 40sec max. |
| ESD            | -    |              | V    |            |
| HBM            |      | 4000         |      |            |
| MM             |      | 400          |      |            |
| CDM            |      | 1500         |      |            |

Note: 1000+ years of data retention on internal memory

## Ordering Code



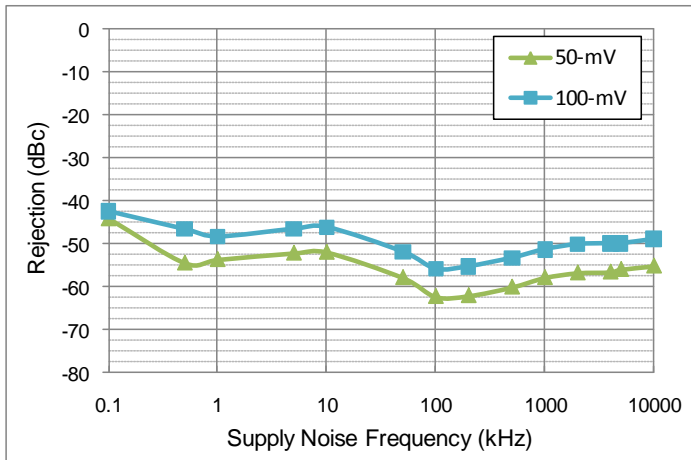
## Specifications

| Parameter   | Condition  | Min.                | Typ.                | Max.                | Unit              |
|---|--|---------------------|---------------------|---------------------|-------------------|
| Supply Voltage <sup>1</sup>                                   | $V_{DD}$   | 2.25                |                     | 3.6                 | V                 |
| Supply Current  | $I_{DD}$<br>EN pin low – outputs are disabled<br>DSC8102<br>DSC8122                                  |                     | 20                  | 0.095<br>22         | mA                |
| Frequency Stability   | $\Delta f$<br>Includes frequency variations due to initial tolerance, temp. and power supply voltage |                     |                     | ±10<br>±25<br>±50   | ppm               |
| Aging   | $\Delta f$<br>1 year @25°C   |                     |                     | ±5                  | ppm               |
| Startup Time <sup>2</sup>                                     | $t_{SU}$<br>T=25°C   |                     |                     | 5                   | ms                |
| Input Logic Levels<br>Input logic high<br>Input logic low     | $V_{IH}$<br>$V_{IL}$   | 0.75x $V_{DD}$<br>- |                     | -<br>0.25x $V_{DD}$ | V                 |
| Output Disable Time <sup>3</sup>                              | $t_{DA}$   |                     |                     | 5                   | ns                |
| Output Enable Time  | $t_{EN}$<br>DSC8102<br>DSC8122   |                     |                     | 5<br>20             | ms<br>ns          |
| Enable Pull-Up Resistor <sup>4</sup>                          | Pull-up resistor exist   |                     | 40                  |                     | kΩ                |
| LVPECL Outputs  |  |                     |                     |                     |                   |
| Supply Current  | $I_{DD}$<br>Output Enabled, $R_L=50\Omega$   |                     | 56.5                | 58                  | mA                |
| Output Logic Levels<br>Output logic high<br>Output logic low  | $V_{OH}$<br>$V_{OL}$<br>$R_L=50\Omega$   | $V_{DD}-1.08$<br>-  |                     | -<br>$V_{DD}-1.55$  | V                 |
| Pk to Pk Output Swing   | Single-Ended   |                     | 800                 |                     | mV                |
| Output Transition time <sup>3</sup><br>Rise Time<br>Fall Time | $t_R$<br>$t_F$<br>20% to 80%<br>$R_L=50\Omega$ , $C_L= 0pF$  |                     | 250                 |                     | ps                |
| Frequency   | $f_0$<br>Single Frequency  | 10                  |                     | 460                 | MHz               |
| Output Duty Cycle   | SYM<br>Differential  | 48                  |                     | 52                  | %                 |
| Period Jitter   | $J_{PER}$  |                     | 2.5                 |                     | ps <sub>RMS</sub> |
| Integrated Phase Noise  | $J_{PH}$<br>200kHz to 20MHz @156.25MHz<br>100kHz to 20MHz @156.25MHz<br>12kHz to 20MHz @156.25MHz    |                     | 0.25<br>0.38<br>1.7 | 2                   | ps <sub>RMS</sub> |

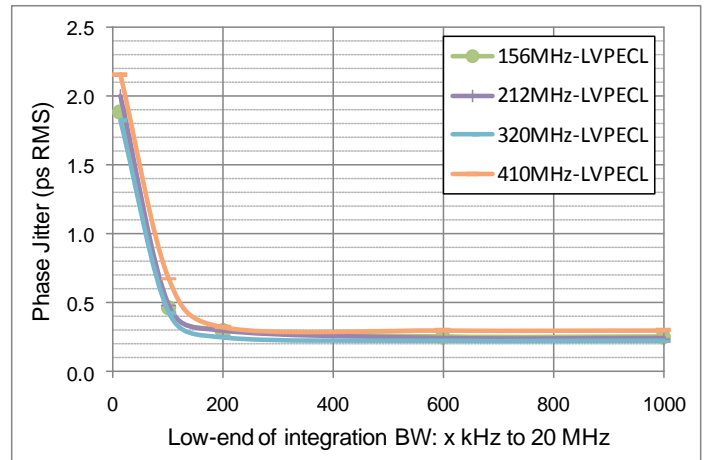
### Notes:

- Pin 6  $V_{DD}$  should be filtered with 0.1uF capacitor.
- $t_{SU}$  is time to 100ppm of output frequency after  $V_{DD}$  is applied and outputs are enabled.
- Output Waveform and Test Circuit figures below define the parameters.
- Output is enabled if pad is floated or not connected.

### Nominal Performance Parameters (Unless specified otherwise: T=25° C, V<sub>DD</sub>=3.3 V)

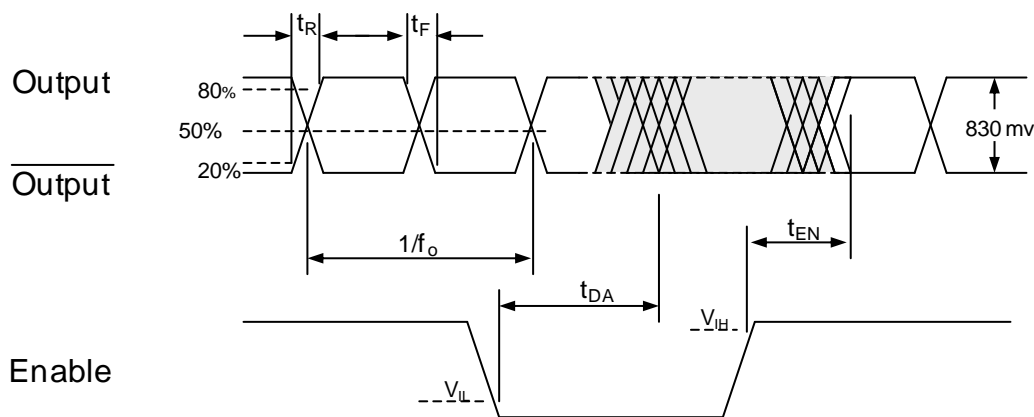


Power supply rejection ratio

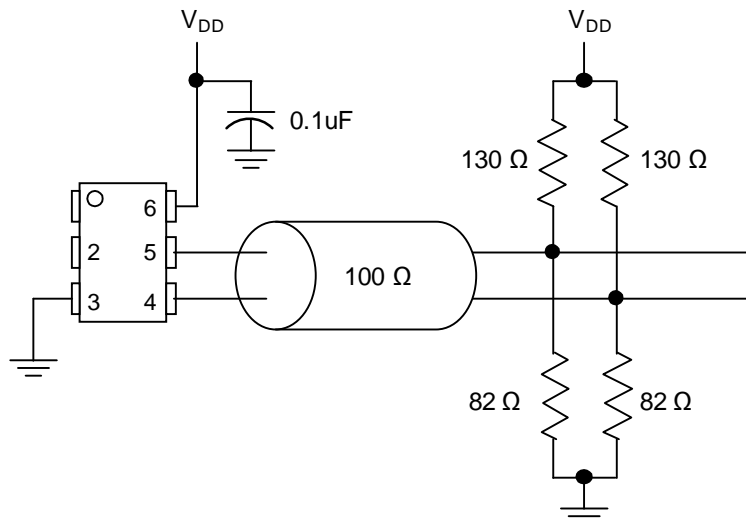


Phase jitter (integrated phase noise)

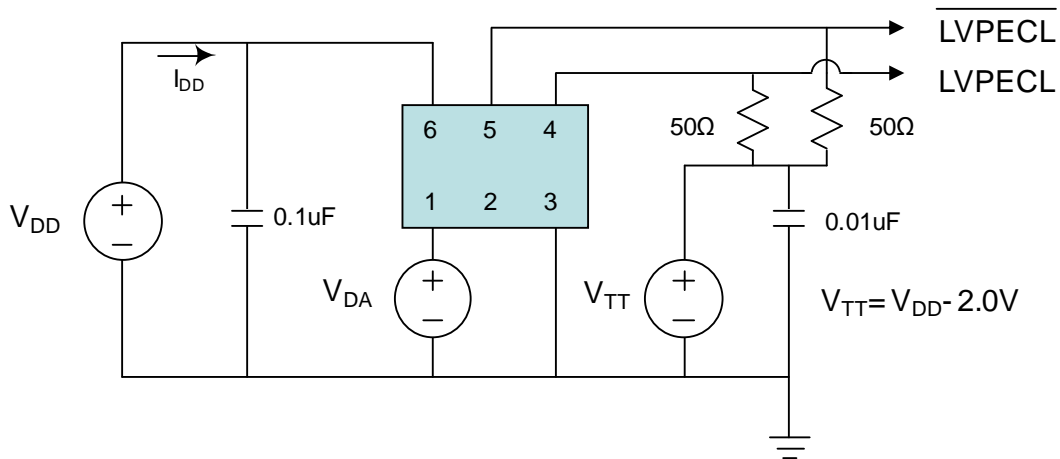
### Output Waveform



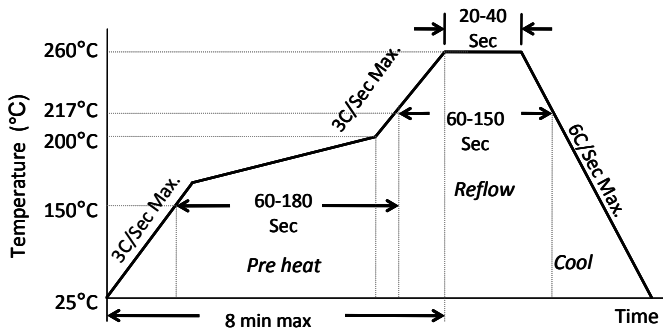
### Typical Termination Scheme



## Test Circuit



## Solder Reflow Profile

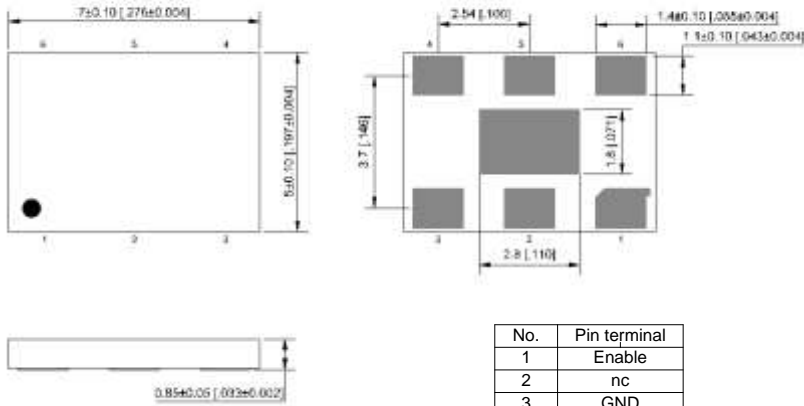


| MSL 1 @ 260°C refer to JSTD-020C  |              |
|-----------------------------------|--------------|
| Ramp-Up Rate (200°C to Peak Temp) | 3°C/Sec Max. |
| Preheat Time 150°C to 200°C       | 60-180 Sec   |
| Time maintained above 217°C       | 60-150 Sec   |
| Peak Temperature                  | 255-260°C    |
| Time within 5°C of actual Peak    | 20-40 Sec    |
| Ramp-Down Rate                    | 6°C/Sec Max. |
| Time 25°C to Peak Temperature     | 8 min Max.   |

## Package Dimensions

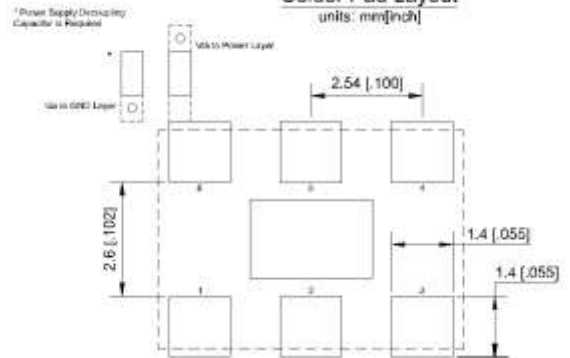
### 7.0 x 5.0 mm Plastic Package

External Dimensions  
units: mm[inch]



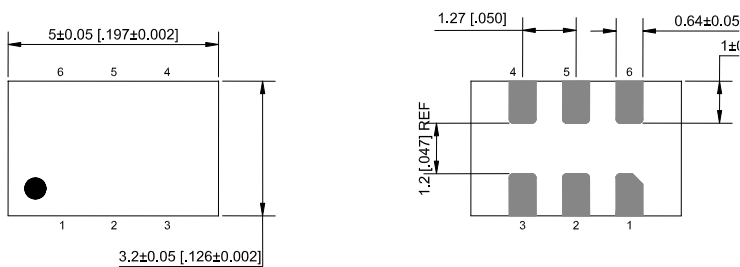
| No. | Pin terminal |
|-----|--------------|
| 1   | Enable       |
| 2   | nc           |
| 3   | GND          |
| 4   | Output       |
| 5   | Output       |
| 6   | VDD          |

Recommended  
Solder Pad Layout  
units: mm[inch]



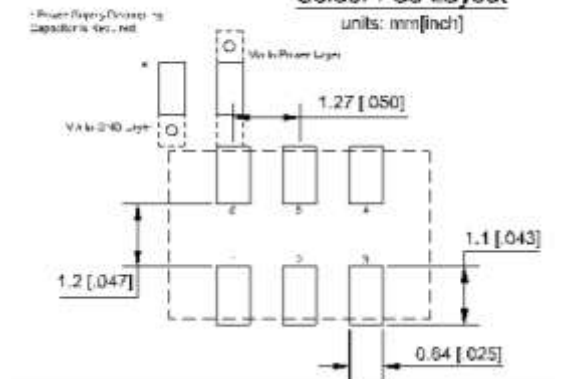
### 5.0 x 3.2 mm Plastic Package

External Dimensions  
units: mm[inch]



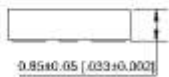
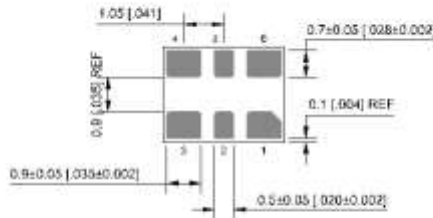
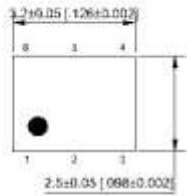
| No. | Pin terminal |
|-----|--------------|
| 1   | Enable       |
| 2   | nc           |
| 3   | GND          |
| 4   | Output       |
| 5   | Output       |
| 6   | VDD          |

Recommended  
Solder Pad Layout  
units: mm[inch]



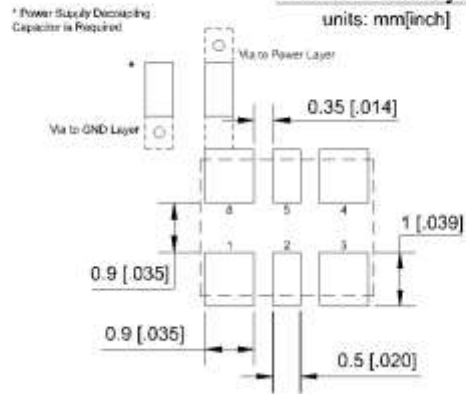
### 3.2 x 2.5 mm Plastic Package

External Dimensions  
units: mm[inch]



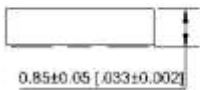
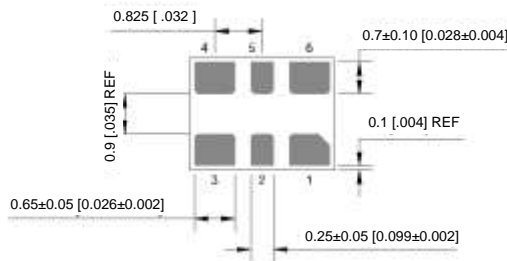
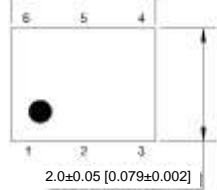
| No. | Pin terminal |
|-----|--------------|
| 1   | Enable       |
| 2   | nc           |
| 3   | GND          |
| 4   | Output       |
| 5   | Output       |
| 6   | VDD          |

Recommended Solder Pad Layout  
units: mm[inch]



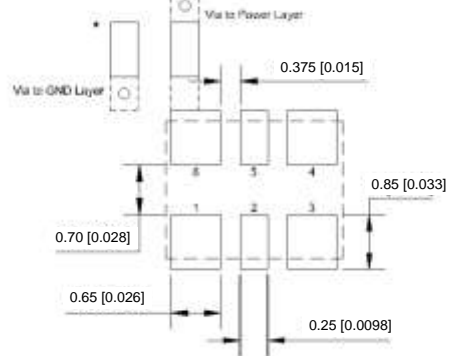
### 2.5 x 2.0 mm Plastic Package

2.5±0.05 [0.098±0.002]



| No. | Pin terminal |
|-----|--------------|
| 1   | Enable       |
| 2   | nc           |
| 3   | GND          |
| 4   | Output       |
| 5   | Output       |
| 6   | VDD          |

Recommended Solder Pad Layout  
units: mm[inch]



#### Disclaimer:

Micrel makes no representations or warranties with respect to the accuracy or completeness of the information furnished in this data sheet. This information is not intended as a warranty and Micrel does not assume responsibility for its use. Micrel reserves the right to change circuitry, specifications and descriptions at any time without notice. No license, whether express, implied, arising by estoppel or otherwise, to any intellectual property rights is granted by this document. Except as provided in Micrel's terms and conditions of sale for such products, Micrel assumes no liability whatsoever, and Micrel disclaims any express or implied warranty relating to the sale and/or use of Micrel products including liability or warranties relating to fitness for a particular purpose, merchantability, or infringement of any patent, copyright or other intellectual property right.

MICREL, Inc.  
Phone: +1 (408) 944-0800

• 2180 Fortune Drive,  
• Fax: +1 (408) 474-1000

San Jose, California 95131  
• Email: [hbwhelp@micrel.com](mailto:hbwhelp@micrel.com)

• USA  
• [www.micrel.com](http://www.micrel.com)

Компания «Life Electronics» занимается поставками электронных компонентов импортного и отечественного производства от производителей и со складов крупных дистрибьюторов Европы, Америки и Азии.

С конца 2013 года компания активно расширяет линейку поставок компонентов по направлению коаксиальный кабель, кварцевые генераторы и конденсаторы (керамические, пленочные, электролитические), за счёт заключения дистрибьюторских договоров

Мы предлагаем:

- Конкурентоспособные цены и скидки постоянным клиентам.
- Специальные условия для постоянных клиентов.
- Подбор аналогов.
- Поставку компонентов в любых объемах, удовлетворяющих вашим потребностям.
- Приемлемые сроки поставки, возможна ускоренная поставка.
- Доставку товара в любую точку России и стран СНГ.
- Комплексную поставку.
- Работу по проектам и поставку образцов.
- Формирование склада под заказчика.
- Сертификаты соответствия на поставляемую продукцию (по желанию клиента).
- Тестирование поставляемой продукции.
- Поставку компонентов, требующих военную и космическую приемку.
- Входной контроль качества.
- Наличие сертификата ISO.

В составе нашей компании организован Конструкторский отдел, призванный помогать разработчикам, и инженерам.

Конструкторский отдел помогает осуществить:

- Регистрацию проекта у производителя компонентов.
- Техническую поддержку проекта.
- Защиту от снятия компонента с производства.
- Оценку стоимости проекта по компонентам.
- Изготовление тестовой платы монтаж и пусконаладочные работы.



Тел: +7 (812) 336 43 04 (многоканальный)

Email: [org@lifeelectronics.ru](mailto:org@lifeelectronics.ru)