



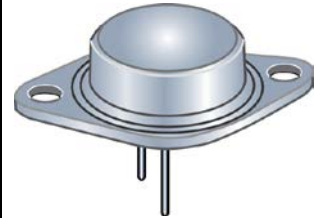
## PNP Darlington Power Silicon Transistor

*Qualified per MIL-PRF-19500/527*

*Qualified Levels:  
JAN, JANTX, and  
JANTXV*

### DESCRIPTION

This high speed PNP transistor is rated at -10 amps and is military qualified up to the JANTXV level. This TO-204AA isolated package features a 180 degree lead orientation.



**Important:** For the latest information, visit our website <http://www.microsemi.com>.

**TO-204AA (TO-3)  
Package**

### FEATURES

- JEDEC registered 2N6648 through 2N6650
- JAN, JANTX, and JANTXV qualifications are available per MIL-PRF-19500/527
- RoHS compliant versions available (commercial grade only)

### APPLICATIONS / BENEFITS

- Military and other high reliability applications
- High frequency response
- TO-204AA case with isolated terminals

### MAXIMUM RATINGS @ T<sub>A</sub> = +25 °C unless otherwise noted

Parameters/Test Conditions	Symbol	Value	Unit
Junction and Storage Temperature	T <sub>J</sub> and T <sub>STG</sub>	-65 to +175	°C
Thermal Resistance Junction-to-Case	R <sub>θJC</sub>	1.76	°C/W
Collector-Emitter Voltage	V <sub>CEO</sub>	-40 -60 -80	V
Collector-Base Voltage	V <sub>CBO</sub>	-40 -60 -80	V
Emitter-Base Voltage	V <sub>EBO</sub>	-5	V
Total Power Dissipation	P <sub>T</sub>	5.0 85	W
Base Current	I <sub>B</sub>	-0.25	A
Collector Current	I <sub>C</sub>	-10	A

- Notes:**
1. Derate linearly 33.3 mW/°C above T<sub>A</sub> > +25 °C.
  2. Derate linearly 567 mW/°C above T<sub>C</sub> > +25 °C.

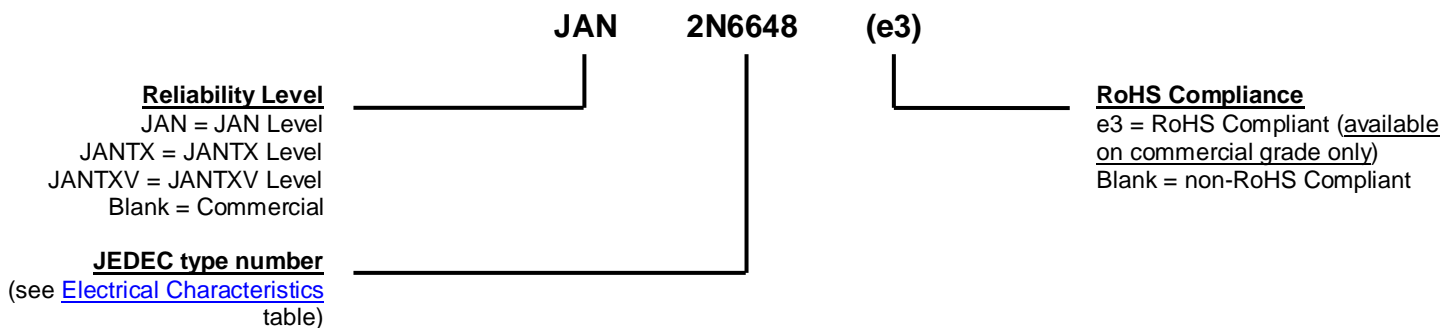
**MSC – Lawrence**  
6 Lake Street,  
Lawrence, MA 01841  
1-800-446-1158  
(978) 620-2600  
Fax: (978) 689-0803

**MSC – Ireland**  
Gort Road Business Park,  
Ennis, Co. Clare, Ireland  
Tel: +353 (0) 65 6840044  
Fax: +353 (0) 65 6822298

**Website:**  
[www.microsemi.com](http://www.microsemi.com)

**MECHANICAL and PACKAGING**

- CASE: Industry standard TO-204AA (TO-3), hermetically sealed, 0.040 inch diameter pins
- FINISH: Solder dipped tin-lead over nickel plated alloy 52 or RoHS compliant matte-tin plating. Solderable per MIL-STD-750 method 2026.
- POLARITY: PNP (see [schematic](#))
- MOUNTING HARDWARE: Consult factory for optional insulator and sheet metal screws
- WEIGHT: Approximately 15 grams
- See [package dimensions](#) on last page.

**PART NOMENCLATURE**

**SYMBOLS & DEFINITIONS**

Symbol	Definition
$I_B$	Base current: The value of the dc current into the base terminal.
$I_C$	Collector current: The value of the dc current into the collector terminal.
$I_E$	Emitter current: The value of the dc current into the emitter terminal.
$T_C$	Case temperature: The temperature measured at a specified location on the case of a device.
$V_{CB}$	Collector-base voltage: The dc voltage between the collector and the base.
$V_{CBO}$	Collector-base voltage, base open: The voltage between the collector and base terminals when the emitter terminal is open-circuited.
$V_{CC}$	Collector-supply voltage: The supply voltage applied to a circuit connected to the collector.
$V_{CEO}$	Collector-emitter voltage, base open: The voltage between the collector and the emitter terminals when the base terminal is open-circuited.
$V_{CE}$	Collector-emitter voltage: The dc voltage between the collector and the emitter.
$V_{EB}$	Emitter-base voltage: The dc voltage between the emitter and the base.
$V_{EBO}$	Emitter-base voltage, collector open: The voltage between the emitter and base terminals with the collector terminal open-circuited.

**ELECTRICAL CHARACTERISTICS @  $T_A = +25^\circ\text{C}$  unless otherwise noted**

Characteristics	Symbol	Min.	Max.	Unit
-----------------	--------	------	------	------

**OFF CHARACTERISTICS**

Collector-Emitter Breakdown Voltage $I_C = -200\text{ mA}$	2N6648 2N6649 2N6650	$V_{(BR)CEO}$	-40 -60 -80	V
Collector-Emitter Breakdown Voltage $I_C = -200\text{ mA}, R_{BB} = 100\ \Omega$	2N6648 2N6649 2N6650	$V_{(BR)CER}$	-40 -60 -80	V
Collector-Emitter Cutoff Current $V_{CE} = -40\text{ V}$ $V_{CE} = -60\text{ V}$ $V_{CE} = -80\text{ V}$	2N6648 2N6649 2N6650	$I_{CEO}$		-1.0 mA
Collector-Emitter Cutoff Current $V_{CE} = -40\text{ V}, V_{BE} = 1.5\text{ V}$ $V_{CE} = -60\text{ V}, V_{BE} = 1.5\text{ V}$ $V_{CE} = -80\text{ V}, V_{BE} = 1.5\text{ V}$	2N6648 2N6649 2N6650	$I_{CEX}$		10 $\mu\text{A}$
Emitter-Base Cutoff Current $V_{EB} = 5.0\text{ V}$		$I_{EBO}$		-10 mA
Collector-Emitter Cutoff Current $V_{CE} = -40\text{ V}$ $V_{CE} = -60\text{ V}$ $V_{CE} = -80\text{ V}$	2N6648 2N6649 2N6650	$I_{CBO}$		-1.0 mA

**ON CHARACTERISTICS**

Forward-Current Transfer Ratio $I_C = -1.0\text{ A}, V_{CE} = -3.0\text{ V}$ $I_C = -5\text{ A}, V_{CE} = -3.0\text{ V}$ $I_C = -10\text{ A}, V_{CE} = -3.0\text{ V}$ $I_C = -5\text{ A}, V_{CE} = -3.0\text{ V}, T_A = -65^\circ\text{C}$		$h_{FE}$	300 1,000 100 200	20,000
Collector-Emitter Saturation Voltage $I_C = -5.0\text{ A}, I_B = -10\text{ mA}$ $I_C = -10\text{ A}, I_B = -0.1\text{ mA}$		$V_{CE(sat)}$		-2.0 -3.0 V
Base-Emitter Voltage Non-saturated $V_{CE} = -3.0\text{ V}, I_C = -5.0\text{ A}$ $V_{CE} = -3.0\text{ V}, I_C = -10\text{ A}$		$V_{BE(on)}$		-2.8 -4.5 V

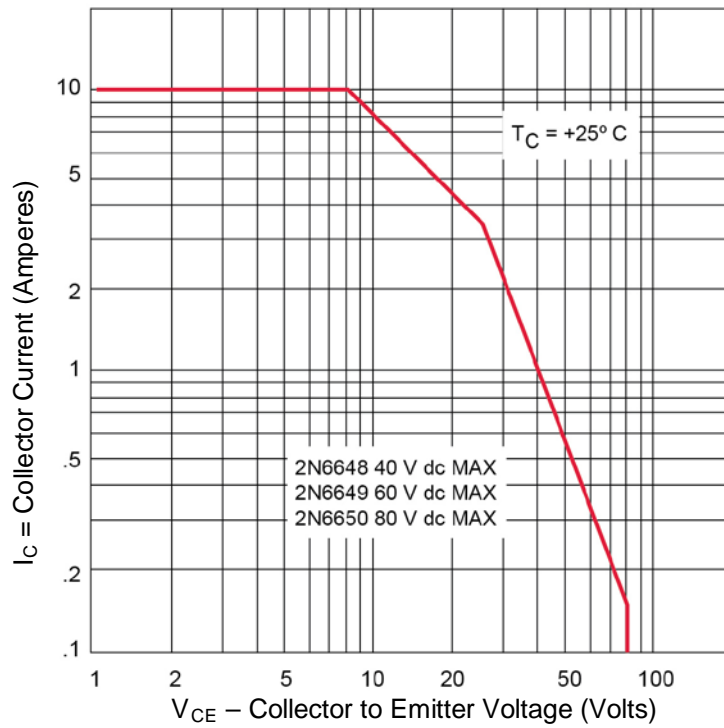
**DYNAMIC CHARACTERISTICS**

Magnitude of Common Emitter Small-Signal Short-Circuit Forward Current Transfer Ratio $I_C = -1.0\text{ A}, V_{CE} = -5.0\text{ V}, f = 1.0\text{ MHz}$		$ h_{fe} $	30	400
Output Capacitance $V_{CB} = -10\text{ V}, I_E = 0, 100\text{ kHz} \leq f \leq 1\text{ MHz}$		$C_{obo}$		300 pF

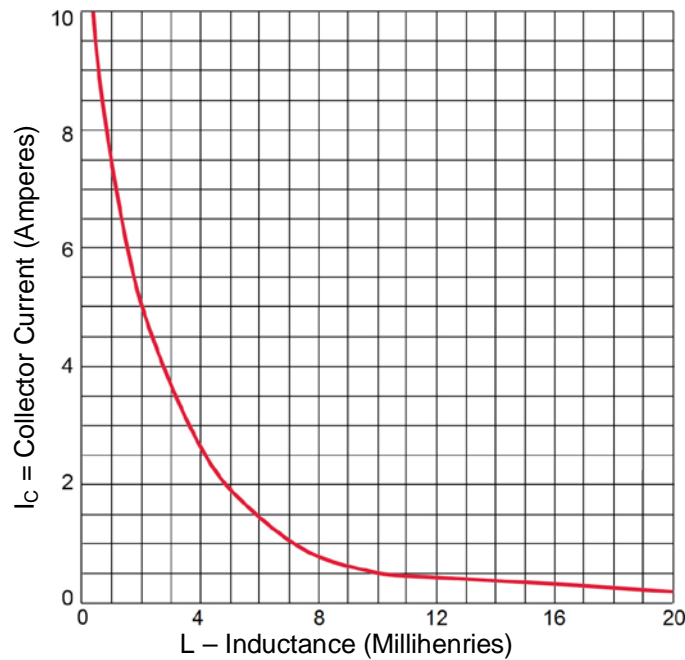
**ELECTRICAL CHARACTERISTICS @  $T_C = 25^\circ\text{C}$  unless otherwise noted. (continued)**
**SWITCHING CHARACTERISTICS**

Turn-On Time $V_{CC} = -30\text{ V}, I_C = -5.0\text{ A}; I_{B1} = -20\text{ mA}$	$t_{on}$		2.5	$\mu\text{s}$
Turn-Off Time $V_{CC} = -30\text{ V}, I_C = -5.0\text{ A}; I_{B1} = I_{B2} = -20\text{ mA}$	$t_{off}$		10	$\mu\text{s}$

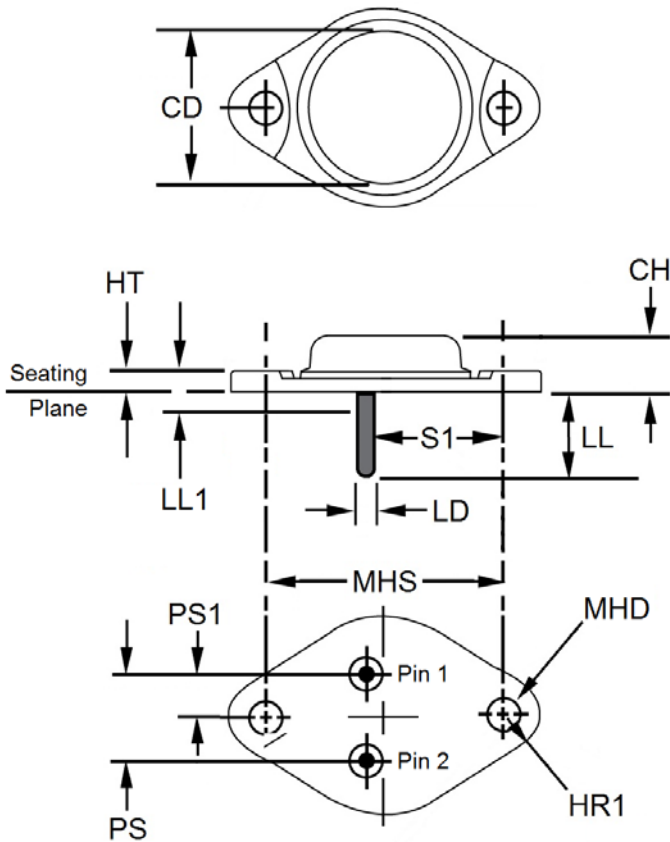
**SAFE OPERATING AREA (See [Figures 1 and 2](#) and [MIL-STD-750, Test Method 3053](#))**
**DC Tests**
 $T_C = +25^\circ\text{C}, t = 1\text{ second}, 1\text{ Cycle}$ 
**Test 1**
 $V_{CE} = -8.5\text{ V}, I_C = -10\text{ A}$ 
**Test 2**
 $V_{CE} = -25\text{ V}, I_C = -3.4\text{ A}$ 
**Test 3**
 $V_{CE} = -40\text{ V}, I_C = -0.9\text{ A (2N6648)}$ 
 $V_{CE} = -60\text{ V}, I_C = -0.3\text{ A (2N6649)}$ 
 $V_{CE} = -80\text{ V}, I_C = -0.14\text{ A (2N6650)}$

**SAFE OPERATING AREA**


**FIGURE 1**  
 Maximum Safe Operating Graph (continuous dc)



**FIGURE 2**  
 Safe Operating Area for Switching Between Saturation and Cutoff (unclamped inductive load)

**PACKAGE DIMENSIONS**


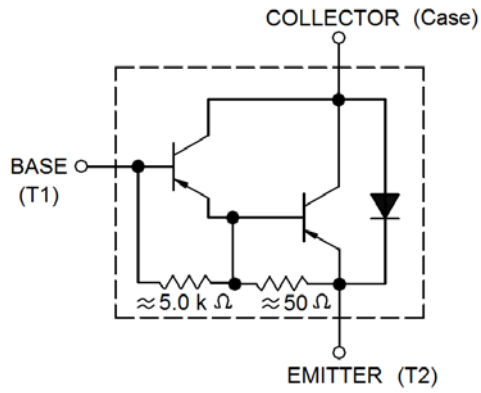
Ltr	Dimensions				Notes
	Inches		Millimeters		
	Min	Max	Min	Max	
CD	-	0.875	-	22.23	
CH	0.250	0.450	6.35	11.43	
HR	0.495	0.525	12.57	13.34	
HR1	0.131	0.188	3.33	4.78	
HT	0.050	0.135	1.52	3.43	
LD	0.038	0.043	0.97	1.09	
LL	0.312	0.500	7.92	12.70	
LL1	-	0.050	-	1.27	
MHD	0.151	0.161	3.84	4.09	
MHS	1.177	1.197	29.90	30.40	
PS	0.420	0.440	10.67	11.18	3
PS1	0.205	0.225	5.21	5.72	3
S1	0.655	0.675	16.64	17.15	

**NOTES:**

1. Dimensions are in inches.
2. Millimeters are given for information only.
3. These dimensions should be measured at points 0.050 inch (1.27 mm) and 0.055 inch (1.40 mm) below seating plane. When gauge is not used measurement will be made at the seating plane.
4. The seating plane of the header shall be flat within 0.001 inch (0.03 mm) concave to 0.004 inch (0.10 mm) convex inside a 0.930 inch (23.62 mm) diameter circle on the center of the header and flat within 0.001 inch (0.03 mm) concave to 0.006 inch (0.15 mm) convex overall.
5. Mounting holes shall be deburred on the seating plane side.
6. Collector is electrically connected to the case.
7. In accordance with AMSE Y14.5M, diameters are equivalent to  $\Phi$ x symbology.

See schematic on next page

**SCHEMATIC**



Компания «Life Electronics» занимается поставками электронных компонентов импортного и отечественного производства от производителей и со складов крупных дистрибьюторов Европы, Америки и Азии.

С конца 2013 года компания активно расширяет линейку поставок компонентов по направлению коаксиальный кабель, кварцевые генераторы и конденсаторы (керамические, пленочные, электролитические), за счёт заключения дистрибьюторских договоров

Мы предлагаем:

- Конкурентоспособные цены и скидки постоянным клиентам.
- Специальные условия для постоянных клиентов.
- Подбор аналогов.
- Поставку компонентов в любых объемах, удовлетворяющих вашим потребностям.
- Приемлемые сроки поставки, возможна ускоренная поставка.
- Доставку товара в любую точку России и стран СНГ.
- Комплексную поставку.
- Работу по проектам и поставку образцов.
- Формирование склада под заказчика.
- Сертификаты соответствия на поставляемую продукцию (по желанию клиента).
- Тестирование поставляемой продукции.
- Поставку компонентов, требующих военную и космическую приемку.
- Входной контроль качества.
- Наличие сертификата ISO.

В составе нашей компании организован Конструкторский отдел, призванный помогать разработчикам, и инженерам.

Конструкторский отдел помогает осуществить:

- Регистрацию проекта у производителя компонентов.
- Техническую поддержку проекта.
- Защиту от снятия компонента с производства.
- Оценку стоимости проекта по компонентам.
- Изготовление тестовой платы монтаж и пусконаладочные работы.



Тел: +7 (812) 336 43 04 (многоканальный)

Email: [org@lifeelectronics.ru](mailto:org@lifeelectronics.ru)