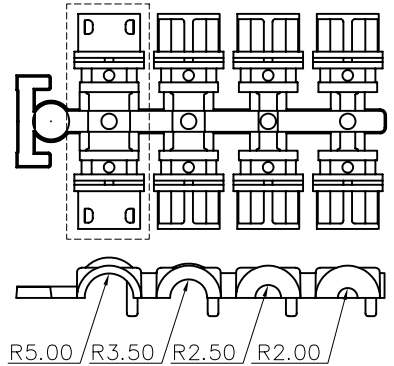
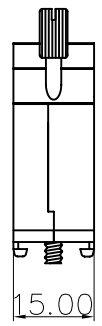
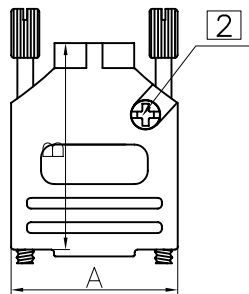
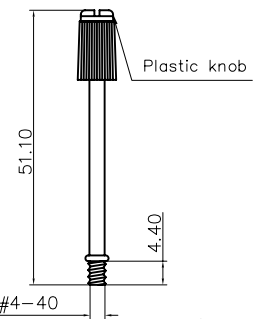
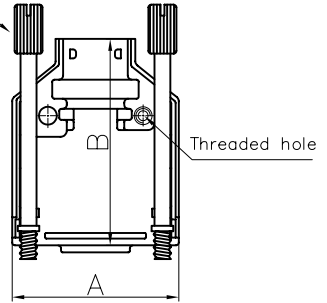
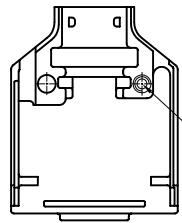


This document is the property of Amphenol Corporation and is delivered on the express condition that it is not to be disclosed, reproduced or used, in whole or in part, for manufacture or sale by anyone other than Amphenol Corporation without its prior consent, & that no right is granted to disclose or to use any information in this document.

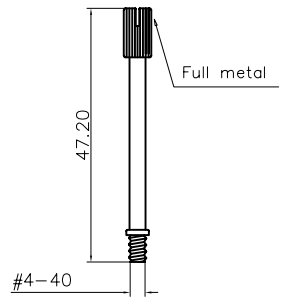


Cable strain relief



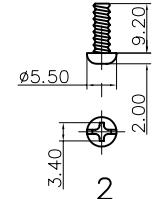
1

Thumb screw



Full metal

Screw thread



2

Screw

Part Number	A	B	Part Number
L17D TZK 09K FM T	31 (1.220")	38.3 (1.508")	L17D TZK 09K T
L17D TZK 15K FM T	39.5 (1.555")	40.5 (1.594")	L17D TZK 15K T
L17D TZK 25K FM T	53.4 (2.102")	48.2 (1.897")	L17D TZK 25K T
L17D TZK 37K FM T	70 (2.755")	52.2 (2.055")	L17D TZK 37K T

Customer drawing

REVISIONS				
SYM	ECN	DESCRIPTION	DATE	APPROVED
1			06/06/08	

D-SUB TECHNICAL DATA

Material and finish:
 Shell: die-cast, nickel plated
 Thumb screws: with metal knob, nickel plated
 Screws: Steel, blue chromate plating, Philips head
 Cable strain relief: Plastic UL94 V-0
 Temperature range: -40°C to 120°C
 Cable diameter: 4.0-13.0mm
 Attenuation factor: >40 dB between 30 MHz and 1 GHz

PRODUCT CODE

L 17DTZK XX K XX T

RoHS Compliance	T: with threaded backshell, not self-tapering type
Series 17DTZK:180°	
Position: 9,15,25,37	FM: Full steel metal screwlock Blank: plastic knob on screwlock
Bulk Package	

UNLESS OTHERWISE SPECIFIED TOLERANCES		APPROVAL		DATE
U.S.	METRIC	DRAWN	Sunny Li	06/06/08
.X	+/- 0.50	CHECKED	kk.wang	06/06/08
.XX	+/- 0.30	CHECKED		
.XXX	+/- 0.20			
FRACTIONS	+/- 2'			
ANGLES	+/-			
FOR MATERIALS AND FINISHES SEE NOTES		DRAWING FILE :		
REMOVE SHARP EDGES		ANGLE OF PROJECTION		
DIMENSIONS				
U.S.	INCHES			
METRIC	MM			

Amphenol®

TITLE
Metal Hood DTZK series

SIZE	DRAWING NO.	REV.
A4	C L17D TZK XXX XX T	1
SCALE	NONE	SHEET 1 OF 4

This document is the property of Amphenol Corporation and is delivered on the express condition that it is not to be disclosed, reproduced or used, in whole or in part, for manufacture or sale by anyone other than Amphenol Corporation without its prior consent, & that no right is granted to disclose or to use any information in this document.

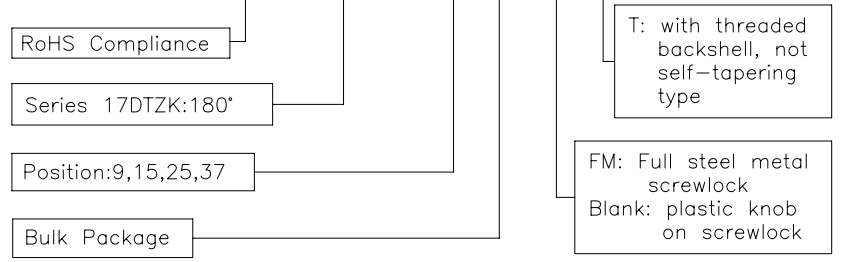
REVISIONS				
SYM	ECN	DESCRIPTION	DATE	APPROVED
1			06/06/08	

D-SUB TECHNICAL DATA

Material and finish:
 Shell: die-cast, nickel plated
 Thumb screws: with metal knob, nickel plated
 Screws: Steel, blue chromate plating, Philips head
 Cable strain relief: Plastic UL94 V-0
 Temperature range: -40°C to 120°C
 Cable diameter: 4.0-13.0mm
 Attenuation factor: >40 dB between 30 MHz and 1 GHz

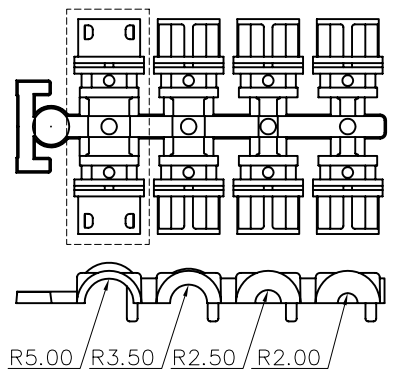
PRODUCT CODE

L 17DTZK XX K XX T

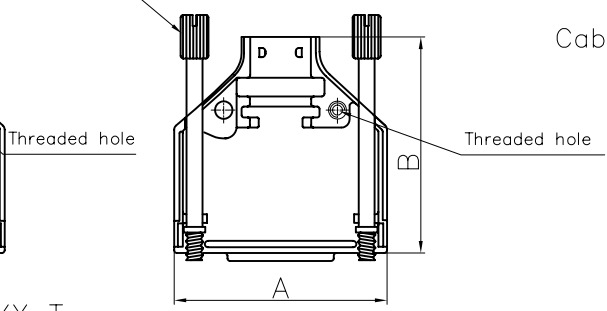


UNLESS OTHERWISE SPECIFIED TOLERANCES U.S. METRIC .X +/- 0.50 .XX +/- 0.30 .XXX +/- 0.20 FRACTIONS +/- ANGLES +/- 2° FOR MATERIALS AND FINISHES SEE NOTES REMOVE SHARP EDGES DIMENSIONS U.S. INCHES METRIC MM	APPROVAL DRAWN Sunny Li 06/06/08 CHECKED Hk.wang 06/06/08 CHECKED		DATE 06/06/08
	DRAWING FILE :		
	ANGLE OF PROJECTION 		
	SCALE NONE SHEET 2 OF 4		

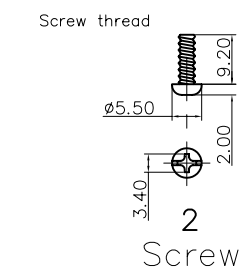
Amphenol® Metal Hood DTZK series		
SIZE DRAWING NO. A4 C L17D TZK XXX XX T	REV. 1	



Cable strain relief

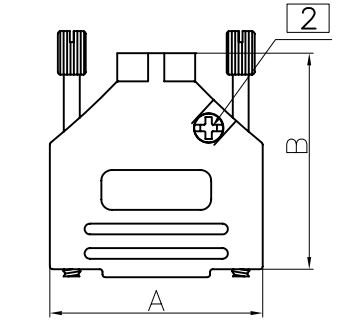


Threaded hole

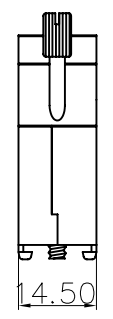


Screw thread

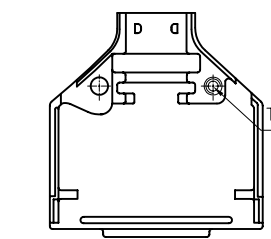
Screw



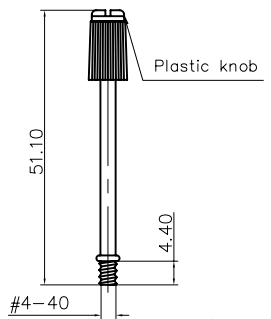
L17D TZK 15K XX T



14.50

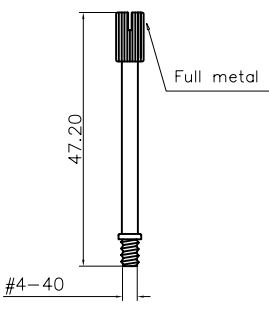


L17D TZK 15K XX T



1

Thumb screw



Full metal

Part Number	A	B	Part Number
L17D TZK 09K FM T	31 (1.220")	38.3 (1.508")	L17D TZK 09K T
L17D TZK 15K FM T	39.5 (1.555")	40.5 (1.594")	L17D TZK 15K T
L17D TZK 25K FM T	53.4 (2.102")	48.2 (1.897")	L17D TZK 25K T
L17D TZK 37K FM T	70 (2.755")	52.2 (2.055")	L17D TZK 37K T

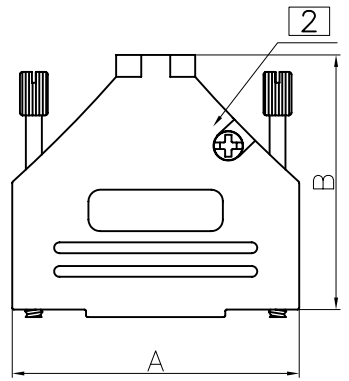
Customer drawing

This document is the property of Amphenol Corporation and is delivered on the express condition that it is not to be disclosed, reproduced or used, in whole or in part, for manufacture or sale by anyone other than Amphenol Corporation without its prior consent, & that no right is granted to disclose or to use any information in this document.

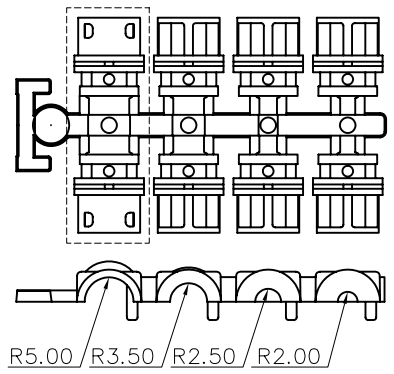
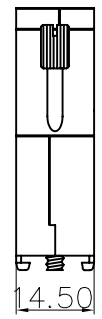
REVISIONS				
SYM	ECN	DESCRIPTION	DATE	APPROVED
1			06/06/08	

D-SUB TECHNICAL DATA

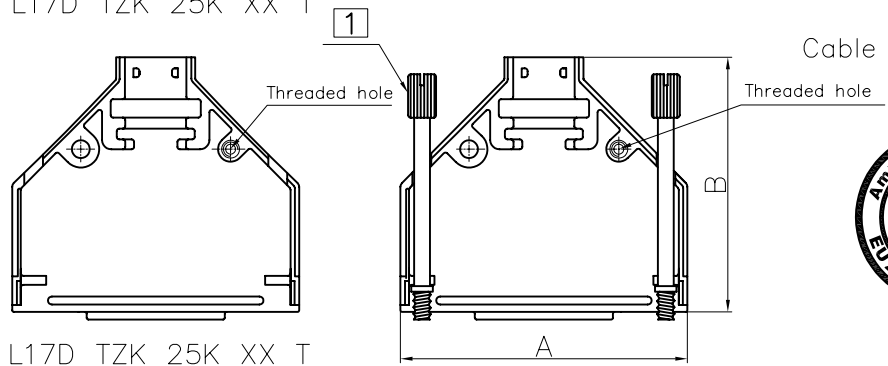
Material and finish:
 Shell: die-cast, nickel plated
 Thumb screws: with metal knob, nickel plated
 Screws: Steel, blue chromate plating, Philips head
 Cable strain relief: Plastic UL94 V-0
 Temperature range: -40°C to 120°C
 Cable diameter: 4.0-13.0mm
 Attenuation factor: >40 dB between 30 MHz and 1 GHz



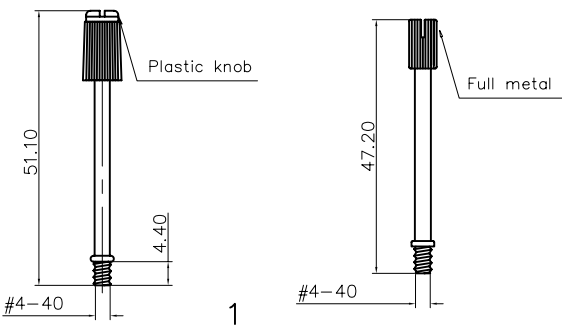
L17D TZK 25K XX T



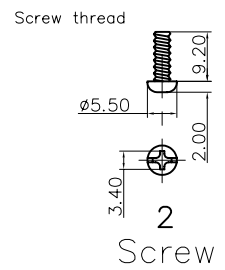
Cable strain relief



L17D TZK 25K XX T



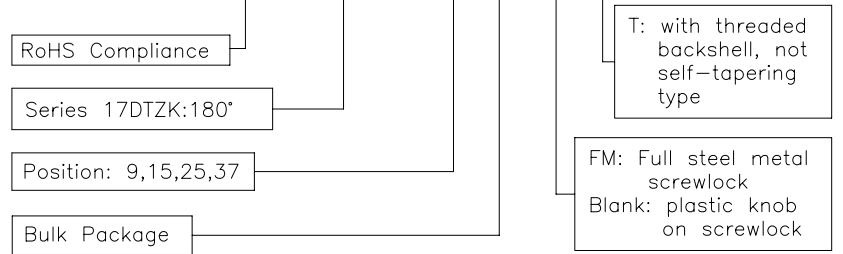
Thumb screw



Screw

PRODUCT CODE

L 17DTZK XX K XX T



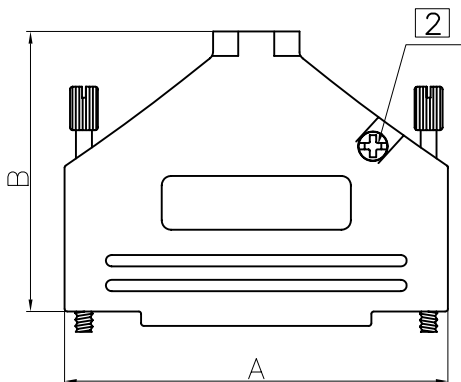
Part Number	A	B	Part Number
L17D TZK 09K FM T	31 (1.220")	38.3 (1.508")	L17D TZK 09K T
L17D TZK 15K FM T	39.5 (1.555")	40.5 (1.594")	L17D TZK 15K T
L17D TZK 25K FM T	53.4 (2.102")	48.2 (1.897")	L17D TZK 25K T
L17D TZK 37K FM T	70 (2.755")	52.2 (2.055")	L17D TZK 37K T

Customer drawing

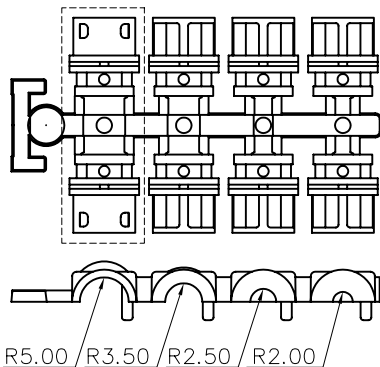
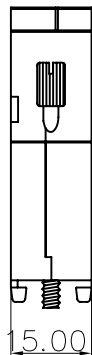
UNLESS OTHERWISE SPECIFIED TOLERANCES		APPROVAL		DATE
U.S.	METRIC	DRAWN	Sunny Li	06/06/08
.X	+/- 0.50	CHECKED	kk.wang	06/06/08
.XX	+/- 0.30	CHECKED		
.XXX	+/- 0.20			
FRACTIONS	+/- 2'			
ANGLES	+/-			
FOR MATERIALS AND FINISHES SEE NOTES		DRAWING FILE :		
REMOVE SHARP EDGES		ANGLE OF PROJECTION		
DIMENSIONS				
U.S.	INCHES			
METRIC	MM			

Amphenol®		
TITLE Metal Hood DTZK series		
SIZE	DRAWING NO.	REV.
A4	C L17D TZK XXX XX T	1
SCALE	NONE	SHEET 3 OF 4

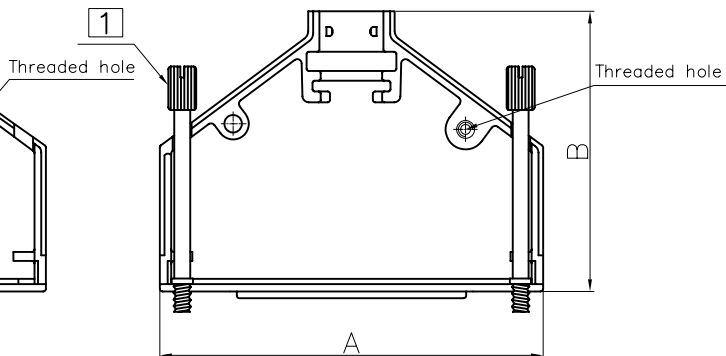
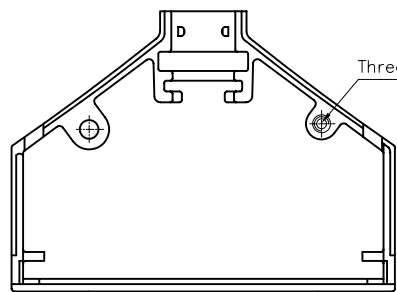
This document is the property of Amphenol Corporation and is delivered on the express condition that it is not to be disclosed, reproduced or used, in whole or in part, for manufacture or sale by anyone other than Amphenol Corporation without its prior consent, & that no right is granted to disclose or to use any information in this document.



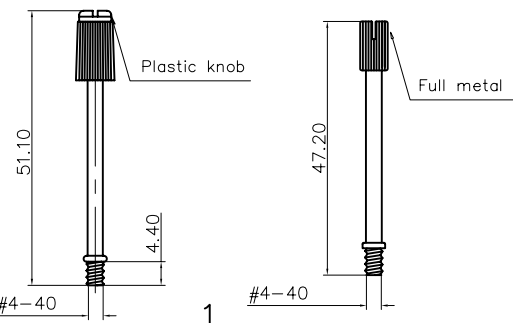
L17D TZK 37K XX T



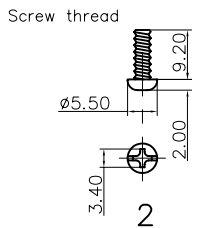
Cable strain relief



L17D TZK 37K XX T



Thumb screw



Screw



Part Number	A	B	Part Number
L17D TZK 09K FM T	31 (1.220")	38.3 (1.508")	L17D TZK 09K T
L17D TZK 15K FM T	39.5 (1.555")	40.5 (1.594")	L17D TZK 15K T
L17D TZK 25K FM T	53.4 (2.102")	48.2 (1.897")	L17D TZK 25K T
L17D TZK 37K FM T	70 (2.755")	52.2 (2.055")	L17D TZK 37K T

Customer drawing

REVISIONS				
SYM	ECN	DESCRIPTION	DATE	APPROVED
1			06/06/08	

D-SUB TECHNICAL DATA

Material and finish:

Shell: die-cast, nickel plated

Thumb screws: with metal knob, nickel plated

Screws: Steel, blue chromate plating, Philips head

Cable strain relief: Plastic UL94 V-0

Temperature range: -40°C to 120°C

Cable diameter: 4.0-13.0mm

Attenuation factor: >40 dB between 30 MHz and 1 GHz

PRODUCT CODE

L 17DTZK XX K XX T

RoHS Compliance

Series 17DTZK:180°

Position:9,15,25,37

Bulk Package

T: with threaded backshell, not self-tapering type

FM: Full steel metal screwlock
Blank: plastic knob on screwlock

UNLESS OTHERWISE SPECIFIED TOLERANCES		APPROVAL		DATE
U.S.	METRIC	DRAWN	Sunny-Li	06/06/08
.X	+/- 0.50	CHECKED	kk.wang	06/06/08
.XX	+/- 0.30	CHECKED		
.XXX	+/- 0.20			
FRACTIONS	+/-			
ANGLES	+/- 2'			
FOR MATERIALS AND FINISHES SEE NOTES		DRAWING FILE :		
REMOVE SHARP EDGES		ANGLE OF PROJECTION		
DIMENSIONS				
U.S.	INCHES			
METRIC	MM			

Amphenol®

TITLE
Metal Hood DTZK series

SIZE	DRAWING NO.	REV.
A4	C L17D TZK XXK XX T	1
SCALE	NONE	SHEET 4 OF 4

Компания «Life Electronics» занимается поставками электронных компонентов импортного и отечественного производства от производителей и со складов крупных дистрибьюторов Европы, Америки и Азии.

С конца 2013 года компания активно расширяет линейку поставок компонентов по направлению коаксиальный кабель, кварцевые генераторы и конденсаторы (керамические, пленочные, электролитические), за счёт заключения дистрибьюторских договоров

Мы предлагаем:

- Конкурентоспособные цены и скидки постоянным клиентам.
- Специальные условия для постоянных клиентов.
- Подбор аналогов.
- Поставку компонентов в любых объемах, удовлетворяющих вашим потребностям.
- Приемлемые сроки поставки, возможна ускоренная поставка.
- Доставку товара в любую точку России и стран СНГ.
- Комплексную поставку.
- Работу по проектам и поставку образцов.
- Формирование склада под заказчика.
- Сертификаты соответствия на поставляемую продукцию (по желанию клиента).
- Тестирование поставляемой продукции.
- Поставку компонентов, требующих военную и космическую приемку.
- Входной контроль качества.
- Наличие сертификата ISO.

В составе нашей компании организован Конструкторский отдел, призванный помогать разработчикам, и инженерам.

Конструкторский отдел помогает осуществить:

- Регистрацию проекта у производителя компонентов.
- Техническую поддержку проекта.
- Защиту от снятия компонента с производства.
- Оценку стоимости проекта по компонентам.
- Изготовление тестовой платы монтаж и пусконаладочные работы.



Тел: +7 (812) 336 43 04 (многоканальный)

Email: org@lifeelectronics.ru