

DESCRIPTION

The MP44014 is a boundary conduction mode PFC controller that provides simple, high-performance, active power factor correction using minimal external components.

The output voltage is regulated accurately by a high-performance voltage mode amplifier with an accurate internal voltage reference.

The precise, adjustable output over-voltage protection greatly enhances system reliability.

The on-chip R/C filter on the current sense pin can potentially eliminate the external R/C filter.

The extremely low start-up current, quiescent current, and disable function reduces power consumption, resulting in excellent efficiency performance.

The MP44014 is available in a SOIC-8 package.

FEATURES

- Boundary Conduction Mode PFC Controller for Pre-Regulator
- Zero-Crossing Compensation to Minimum THD of the AC Input Current
- Precise Adjustable Output Over-Voltage Protection
- Ultra-Low (15 μ A) Start-Up Current
- Low Quiescent Current (0.46 μ A) at OVP Condition
- On-Chip Filter on Current Sense Pin
- Disable Function on ZCS Pin
- -750mA/+800mA Peak Gate Drive Current
- Available in SOIC-8 Packages

APPLICATIONS

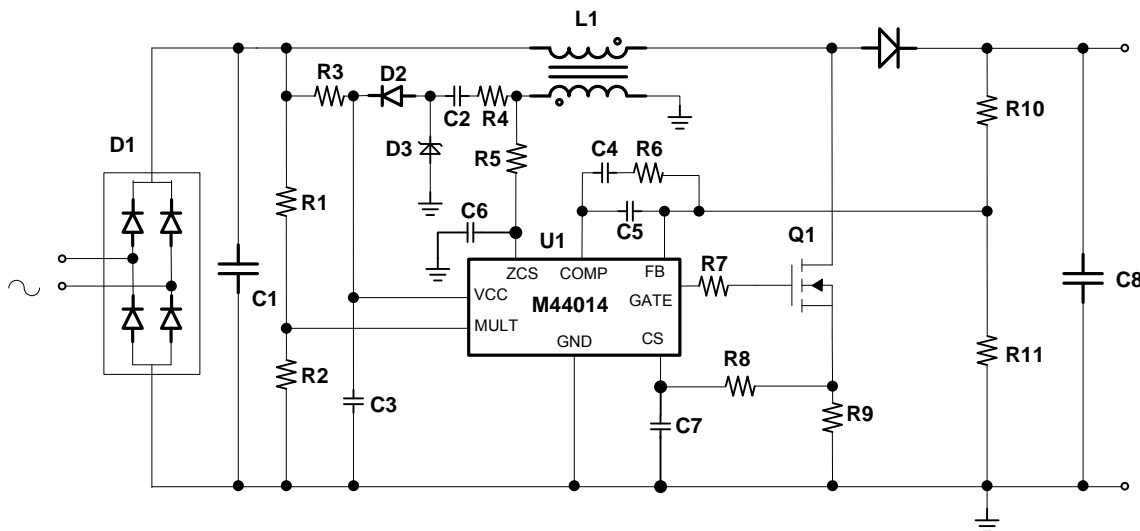
- Offline Adaptors
- Electronic Ballast
- LLC Front End
- Other PFC Pre-Regulators

All MPS parts are lead-free, halogen-free, and adhere to the RoHS directive. For MPS green status, please visit the MPS website under Quality Assurance.

"MPS" and "The Future of Analog IC Technology" are registered trademarks of Monolithic Power Systems, Inc.

Other patents pending.

TYPICAL APPLICATION



ORDERING INFORMATION

Part Number	Package	Top Marking
MP44014GS*	SOIC-8	See Below

* For Tape & Reel, add suffix -Z (e.g. MP44014GS-Z)

TOP MARKING

MP44014
LLLLLLLLL
MPSYWW

MP44014: Part number
 LLLLLLLL: Lot number
 MPS: MPS prefix
 Y: Year code
 WW: Week code

PACKAGE REFERENCE



ABSOLUTE MAXIMUM RATINGS ⁽¹⁾

Supply voltage (VCC) -0.5V to self limit
 Analog inputs and outputs ⁽²⁾ -0.3V to 6.5V
 ZCS max. current -2.5mA to 10mA
 Continuous power dissipation (T_A = +25°C) ⁽³⁾
 SOIC-8 1.4W
 Junction temperature 150°C
 Lead temperature (solder) 260°C
 Storage temperature -55°C to +150°C

Recommended Operating Conditions ⁽⁴⁾

Supply voltage (VCC) 13.4V to 22V
 Analog inputs and outputs -0.3V to 6.5V
 Operating junction temp. (T_J)... -40°C to +125°C

Thermal Resistance ⁽⁵⁾ **θ_{JA}** **θ_{JC}**
 SOIC-8 90 45 ... °C/W

NOTES:

- Exceeding these ratings may damage the device.
- Except ZCS pin, which is self limited.
- The maximum allowable power dissipation is a function of the maximum junction temperature T_J(MAX), the junction-to-ambient thermal resistance θ_{JA}, and the ambient temperature T_A. The maximum allowable continuous power dissipation at any ambient temperature is calculated by D(MAX)=(T_J(MAX)-T_A)/θ_{JA}. Exceeding the maximum allowable power dissipation will produce an excessive die temperature, causing the regulator to go into thermal shutdown. Internal thermal shutdown circuitry protects the device from permanent damage.
- The device is not guaranteed to function outside of its operating conditions.
- Measured on JESD51-7, 4-layer PCB.

ELECTRICAL CHARACTERISTICS

$V_{CC} = 15V$, $C_{GATE} = 1nF$, $T_J = -40^{\circ}C \sim +125^{\circ}C$, unless otherwise noted.

Parameter	Symbol	Condition	Min	Typ	Max	Units
Supply Voltage						
Operating range	V_{CC}	After turn on	10.7		21	V
Turn-on threshold	V_{CC_on}		11	12.3	13.8	V
Turn-off threshold	V_{CC_off}		8.7	9.8	10.8	V
Hysteresis	V_{CC_hys}		2.1		3	V
Zener voltage	V_Z	$I_{IN} = 20mA$	22	25	29	V
Supply Current						
Start-up current	$I_{startup}$	$V_{CC} = 11V$		15	30	μA
Quiescent current	I_q	No switch		2.5	3.2	mA
Operating current	I_{cc}	$F_s = 70kHz$, $C_{LOAD} = 1nF$		3.5	4.5	mA
Quiescent current	I_q	During OVP (either static or dynamic) or $V_{FB} \leq 150mV$		0.46	0.7	mA
Multiplier						
Input bias current	I_{MULT}				-1	μA
Linear operation range	V_{MULT}		0		3	V
Output max. slope	$\Delta V_{CS}/\Delta V_{MULT}$	$V_{MULT} = 0 \sim 0.6V$ $V_{COMP} = \text{upper clamp}$	1.60	1.90		V/V
Gain ⁽⁶⁾	K	$V_{MULT} = 1V$, $V_{COMP} = 4V$, $T_J = 25^{\circ}C$	0.5	0.6	0.7	1/V
Error Amplifier						
Feedback voltage	V_{FB}	$T_J = 25^{\circ}C$	2.465	2.5	2.535	V
Feedback voltage line regulation	V_{FB_LR}	$V_{CC} = 10.7V \text{ to } 22V$		2	5	mV
Feedback bias current	I_{FB}	$V_{FB} = 2.6V$			1	μA
Source current	I_{COMP_source}	$V_{COMP} = 4V$, $V_{FB} = 2.4V$, $T_J = 25^{\circ}C$	-2.7	-4.7	-6.9	mA
Sink current	I_{COMP_sink}	$V_{COMP} = 4V$, $V_{FB} = 2.6V$, $T_J = 25^{\circ}C$	3	5		mA
Upper clamp voltage	V_{COMP_H}	$V_{FB} = 2V$, $I_{comp} = -0.5mA$	5.5	6.1	6.5	V
Lower clamp voltage	V_{COMP_L}	$V_{FB} = 2V$, $I_{comp} = -0.5mA$	2.0	2.15	2.3	V
Current Sense Comparator						
Input bias current	I_{CS}	CS = 0			-1	μA
Turn-off delay	T_{DT}	MULT = 0.2V		190		ns
LEB time	T_{LEB}	MULT = 0.2V	45	70	95	ns
Current sense clamp voltage	V_{CS_Clamp}		1.6	1.72	1.83	V
Current sense offset	V_{CS_Offset}	$V_{MULT} = 0V$		26		mV
		$V_{MULT} = 2.5V$		8		mV
Zero Current Sensor						
Upper clamp voltage	$V_{ZCSclamp_H}$	$I_{ZCS} = 2.5mA$	7.1	7.8	8.6	V

ELECTRICAL CHARACTERISTICS (continued)
 $V_{CC} = 15V$, $C_{GATE} = 1nF$, $T_J = -40^{\circ}C \sim +125^{\circ}C$, unless otherwise noted.

Parameter	Symbol	Condition	Min	Typ	Max	Units
Lower clamp voltage	$V_{ZCS_{clamp_L}}$	$I_{ZCS} = -2.5mA$	0.2	0.5	0.7	V
Zero current sensing threshold	V_{ZCS_H}	V_{ZCS} rising		2.1	2.21	V
	V_{ZCS_L}	V_{ZCS} falling	1.45	1.56	1.66	V
ZCS_DISABLE threshold	$V_{ZCS_DISABLE_}$		140	185	230	mV
ZCS_EN threshold	V_{ZCS_EN}		260	320	380	mV
Source current capability	I_{ZCS_source}		-1.8			mA
Restart current after disable	I_{ZCS_res}		55	85		μA
Re-Starter						
Re-start time	T_{start}		80	175	280	μs
Over Voltage						
Dynamic OVP current	I_{OVP}		35	40	45	μA
Hysteresis	I_{OVP_Hys}			30		μA
Static OVP threshold	V_{OVP}		2.15	2.25	2.35	V
Gate Driver						
Dropout voltage	V_{OH}	$I_{GD_{source}} = 20mA$		2.4	3.1	V
		$I_{GD_{source}} = 200mA$		3.9	5.0	V
	V_{OL}	$I_{GD_{sink}} = 200mA$		0.9	1.9	V
Voltage fall time	T_f			30	70	ns
Voltage rise time	T_r			40	80	ns
Max. output drive voltage	V_{D_max}		12	13.5	15.5	V
Source current capability	I_{Gate_source}			-750		mA
Sink current capability	I_{Gate_sink}			800		mA
UVLO saturation voltage	$V_{Saturation}$	$V_{CC} = 0$ to V_{CC_ON} , $I_{Gate_sink} = 10mA$			0.3	V

NOTES:

- 6) The multiplier output is given by: $V_{cs} = K \cdot V_{MUTL} \cdot (V_{COMP} - 2.5)$.
 7) Guaranteed by design.

TYPICAL PERFORMANCE CHARACTERISTICS

Supply Current vs. Supply Voltage



Supply Current vs. T_J



Start-Up & UVLO vs. T_J



VCC Zener Voltage vs. T_J



Feedback Reference vs. T_J



Delay-to-Output vs. T_J



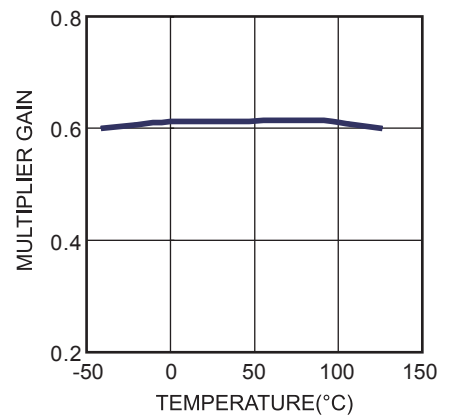
OVP Current vs. T_J



Multiplier Characteristic

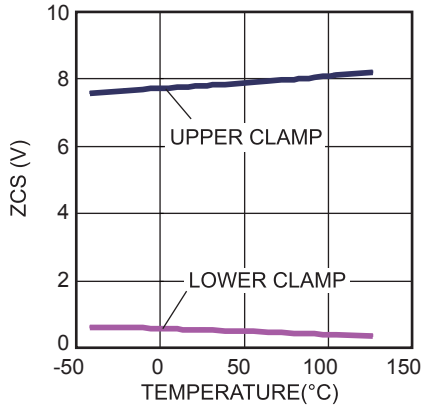


Multiplier Gain vs. T_J

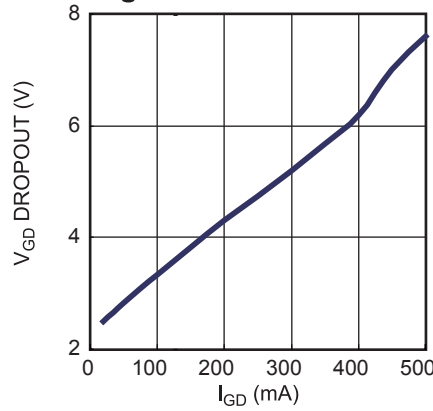


TYPICAL PERFORMANCE CHARACTERISTICS (continued)

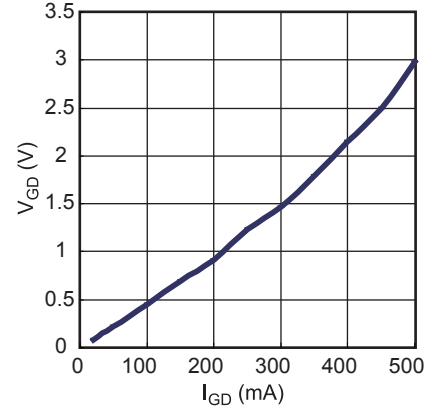
ZCS Clamp Levels vs. T_J



Gate-Drive Output High Saturation

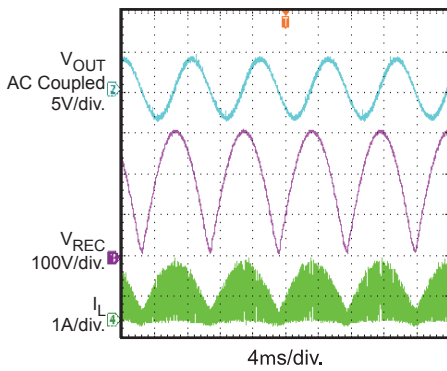


Gate-Drive Output Low Saturation

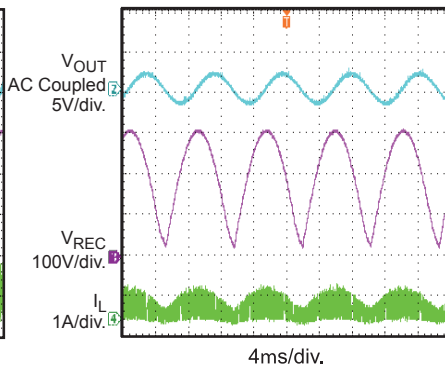


TYPICAL PERFORMANCE CHARACTERISTICS (continued)

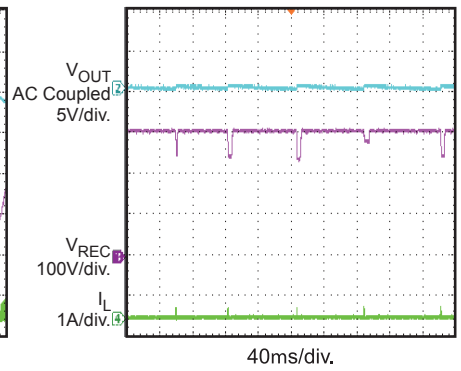
Steady State
P_{OUT} = 100W



Steady State
P_{OUT} = 50W



Steady State
P_{OUT} = 0W



Start-Up



Shutdown



Zero-Current Sensing



Zero-Crossing Compensation Harmonics
V_{AC} = 85V



PIN FUNCTIONS

Pin #	Name	Description
1	FB	Feedback. The output voltage is fed into FB through a resistor divider.
2	COMP	Output of the error amplifier. A compensation network is connected between COMP and FB.
3	MULT	Input of the multiplier. Connect MULT to the rectified main voltage via a resistor divider to provide the sinusoidal reference for the current control loop.
4	CS	Current sense. The current through the MOSFET is fed into CS via a resistor. The resulting voltage on CS is compared with the output of the internal multiplier to get an internal sinusoidal-shaped reference to determine the MOSFET's turn-off. The on-chip R/C filter can reduce high frequency noise on CS. Also, suggest to add a RC filter on the CS pin in case of switching noise is too large.
5	ZCS	Inductor's zero-crossing current sensing input. A negative transition edge triggers the MOSFET's turn-on. Suggest to connect a 22pF cap from this ZCS to GND to tune ZVS point.
6	GND	Ground.
7	GATE	Gate driver output. The high output current of the gate driver is able to drive a low-cost power MOSFET. The high-level voltage of GATE is clamped to 12V in case GATE is supplied with a high VCC.
8	VCC	Supply voltage for both the signal path of the IC and the gate driver. A bypass capacitor from VCC to ground is needed to reduce noise.

FUNCTIONAL BLOCK DIAGRAM



Figure 1: Functional Block Diagram

OPERATION

The MP44014 is a boundary conduction mode PFC controller optimized for the PFC pre-regulator up to 300W and fully complies with IEC1000-3-2 specification.

Output Voltage Regulation

The output voltage is sensed at FB through a resistor divider from the output voltage to ground. The accurate on-chip reference voltage and the high performance error amplifier regulate the output voltage accurately.

Over-Voltage Protection (OVP)

The MP44014 offers two stages of over-voltage protection: dynamic over-voltage protection and static over-voltage protection. With two-stage protection, the circuit operates reliably.

The MP44014 achieves OVP by monitoring the current flow through COMP.

During steady-state operation, the current flow through the high-side feedback resistor (R9) and the low-side feedback resistor (R10) is calculated with Equation (1):

$$I_{R9} = \frac{V_O - V_{FB}}{R9} = I_{R10} = \frac{V_{FB}}{R10} \quad (1)$$

If there is an abrupt rise on the output (ΔV_O) and the compensation network connected between FB and COMP takes time to achieve high power factor (PF) due to the long RC time constant, the voltage on FB will still be kept at the reference value. The current through R10 remains equal to $V_{FB}/R10$. However, the current through R9 is calculated with Equation (2):

$$I'_{R9} = \frac{V_O + \Delta V_O - V_{FB}}{R9} \quad (2)$$

This current has to flow into COMP. Simultaneously, this current is monitored inside the chip. If the current rises to $35\mu A$, the output voltage of the multiplier will be forced to decrease, and the energy delivered to the output will be reduced. If this current continues to rise to about $40\mu A$, the dynamic OVP can be triggered. Consequently, the gate driver is blocked to turn off the external power MOSFET, and the device enters an idle state. This state is maintained until the current falls below $10\mu A$, the point at which the internal starter will be re-enabled and allow the switching to restart.

When the load is very light, the output voltage tends to stay steadily above the nominal value. In this condition, the error amplifier output will saturate low. When the error amplifier output is lower than 2.25V, static OVP will be triggered. Consequently, the gate driver will be blocked to turn off the external power MOSFET, and the device will enter an idle state. Normal operation resumes once the error amplifier output returns to the regulated region (see Figure 2).

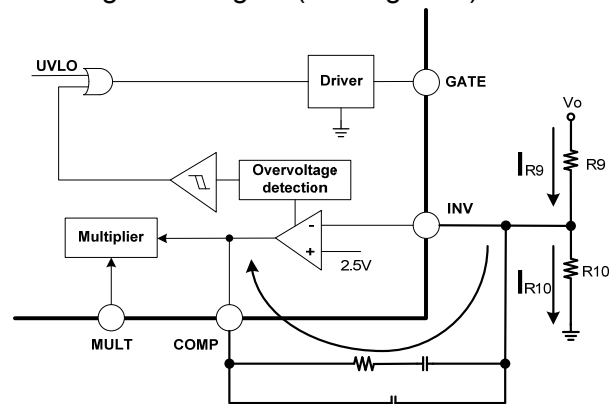


Figure 2: OVP Detector Block

Disable Function

The MP44014 can be disabled by pulling the zero-current sensing (ZCS) pin lower than 190mV. This helps to further reduce quiescent current when the PFC pre-regulator needs to be shut down. After releasing ZCS, it will stay at a lower clamp voltage when there is no external voltage from the auxiliary winding (see Figure 3).

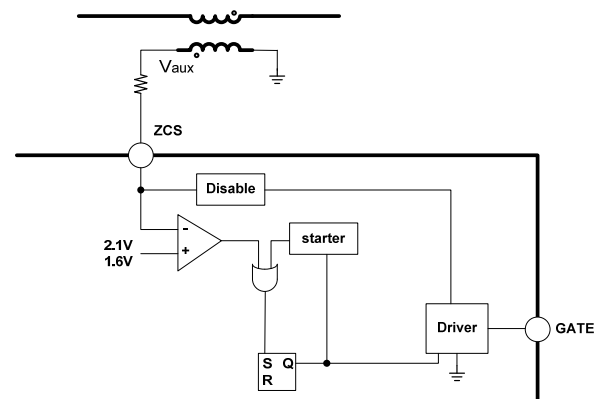


Figure 3: ZCS Triggering and Disable Block

Boundary Conduction Mode

When the current of the boost inductor reaches zero, the voltage on the inductor is reversed. ZCS then generates the turn-on signal of the MOSFET by sensing the falling edge of the voltage on the auxiliary winding coupled with the inductor. If the ZCS voltage rises above 2.1V, the comparator waits until the voltage falls below 1.6V. Once the voltage falls below 1.6V, the MP44014 turns on the MOSFET. The 7.8V high clamp and 0.55V low clamp protect ZCS. The internal 175µs timer generates a signal to turn on the MOSFET if the driver signal has been low for more than 175µs. This also allows the MOSFET to turn on during the start-up period since no signal is generated from ZCD during start-up.

Zero-Crossing Compensation

The MP44014 offers 30mV voltage offset for the multiplier output near the zero crossing of the line voltage (which can force the circuit to process more energy at the bottom of the line voltage). With this function, the THD of the current is reduced.

To prevent redundant energy, this offset is reduced as the instantaneous line voltage increases. Therefore the offset will be negligible near the top of the line voltage.

Power Factor Correction

The MP44014 senses the inductor current through the current sense pin and compares it

to the sinusoidal-shaped signal, which is generated from the output of the multiplier. When the external power MOSFET turns on, the inductor current rises linearly. When the peak current hits the sinusoidal-shaped signal, the external power MOSFET begins to turn off, and the diode turns on. Also, the inductor current begins to fall. When the inductor current reaches zero, the power MOSFET begins to turn on again, which causes the inductor current to start rising again. The power circuit works in boundary conduction mode, and the envelope of the inductor current is sinusoidal shaped. The average input current is half of the peak current, so the average input current is also sinusoidal shaped. A high power factor can be achieved through this control method (see Figure 4).

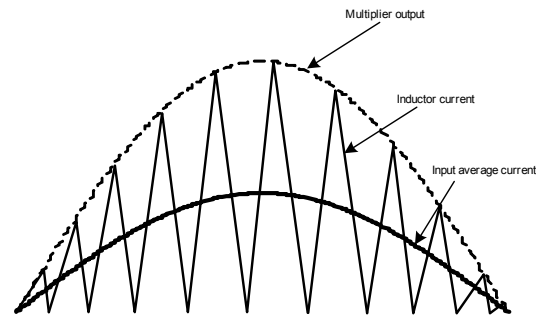


Figure 4: Inductor Current Waveform

The control flow chart of the MP44014 is shown in Figure 5.

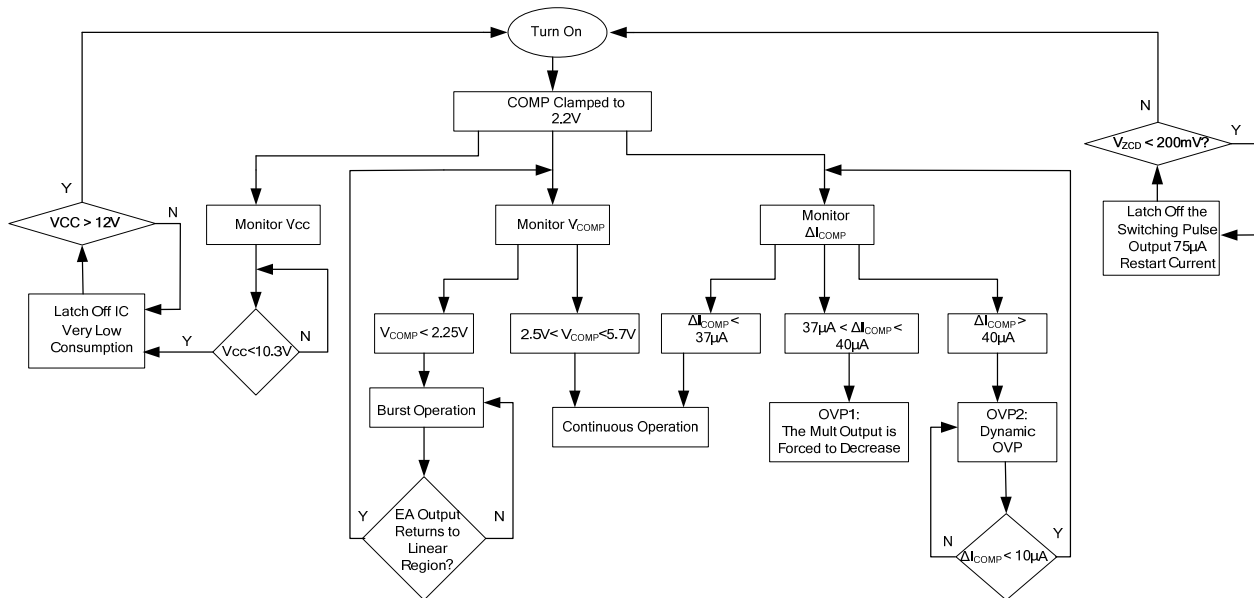
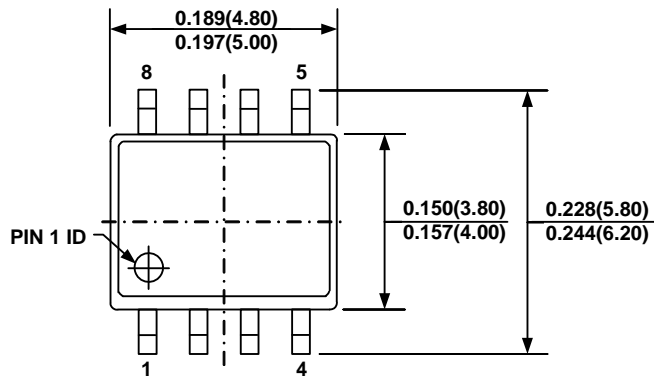


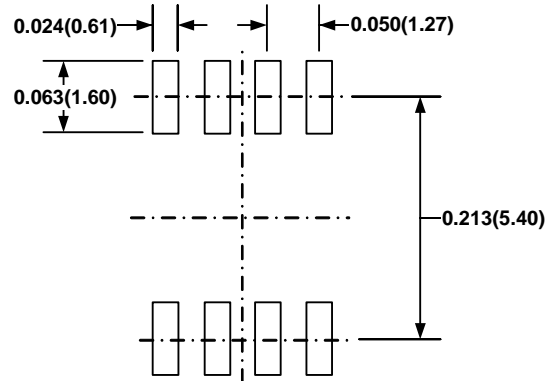
Figure 5: Control Flow Chart

PACKAGE INFORMATION

SOIC-8



TOP VIEW



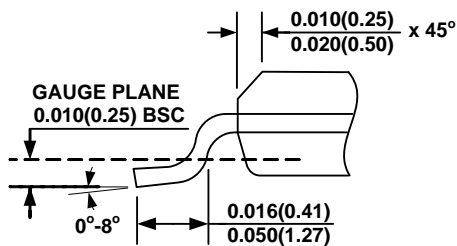
RECOMMENDED LAND PATTERN



FRONT VIEW



SIDE VIEW



DETAIL "A"

NOTE:

- CONTROL DIMENSION IS IN INCHES. DIMENSION IN BRACKET IS IN MILLIMETERS.
- PACKAGE LENGTH DOES NOT INCLUDE MOLD FLASH, PROTRUSIONS OR GATE BURRS.
- PACKAGE WIDTH DOES NOT INCLUDE INTERLEAD FLASH OR PROTRUSIONS.
- LEAD COPLANARITY (BOTTOM OF LEADS AFTER FORMING) SHALL BE 0.004" INCHES MAX.
- DRAWING CONFORMS TO JEDEC MS-012, VARIATION AA.
- DRAWING IS NOT TO SCALE.

NOTICE: The information in this document is subject to change without notice. Users should warrant and guarantee that third party Intellectual Property rights are not infringed upon when integrating MPS products into any application. MPS will not assume any legal responsibility for any said applications.

Компания «Life Electronics» занимается поставками электронных компонентов импортного и отечественного производства от производителей и со складов крупных дистрибьюторов Европы, Америки и Азии.

С конца 2013 года компания активно расширяет линейку поставок компонентов по направлению коаксиальный кабель, кварцевые генераторы и конденсаторы (керамические, пленочные, электролитические), за счёт заключения дистрибьюторских договоров

Мы предлагаем:

- Конкуренеспособные цены и скидки постоянным клиентам.
- Специальные условия для постоянных клиентов.
- Подбор аналогов.
- Поставку компонентов в любых объемах, удовлетворяющих вашим потребностям.
- Приемлемые сроки поставки, возможна ускоренная поставка.
- Доставку товара в любую точку России и стран СНГ.
- Комплексную поставку.
- Работу по проектам и поставку образцов.
- Формирование склада под заказчика.
- Сертификаты соответствия на поставляемую продукцию (по желанию клиента).
- Тестирование поставляемой продукции.
- Поставку компонентов, требующих военную и космическую приемку.
- Входной контроль качества.
- Наличие сертификата ISO.

В составе нашей компании организован Конструкторский отдел, призванный помогать разработчикам, и инженерам.

Конструкторский отдел помогает осуществить:

- Регистрацию проекта у производителя компонентов.
- Техническую поддержку проекта.
- Защиту от снятия компонента с производства.
- Оценку стоимости проекта по компонентам.
- Изготовление тестовой платы монтаж и пусконаладочные работы.



Тел: +7 (812) 336 43 04 (многоканальный)

Email: org@lifeelectronics.ru