

# E3S-A



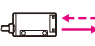






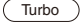
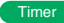
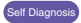

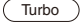


Be sure to read *Safety Precautions* on page 10.

## Ordering Information

### Built-in Amplifier Photoelectric Sensors

Red light Infrared light

| Sensing method           | Appearance     | Connection method | Sensing distance |  |  | Functions | Model           |                 |
|--------------------------|----------------|-------------------|------------------|--|--|-----------|-----------------|-----------------|
|                          |                |                   |                  |  |  |           | NPN output      | PNP output      |
| Through-beam Sensors     | Horizontal<br> | Pre-wired         | 7 m              |  |  | ---       | <b>E3S-AT11</b> | <b>E3S-AT31</b> |
|                          |                | Connector (M12)   |                  |  |  |           | <b>E3S-AT21</b> | <b>E3S-AT41</b> |
|                          | Vertical<br>   | Pre-wired         |                  |  |  | ---       | <b>E3S-AT16</b> | <b>E3S-AT36</b> |
|                          |                | Connector (M12)   |                  |  |  | ---       | <b>E3S-AT61</b> | <b>E3S-AT81</b> |
|                          |                | Pre-wired         |                  |  |  |           | <b>E3S-AT71</b> | <b>E3S-AT91</b> |
|                          |                | Connector (M12)   |                  |  |  | ---       | <b>E3S-AT66</b> | <b>E3S-AT86</b> |
| Retro-reflective Sensors | Horizontal<br> | Pre-wired         | 2 m<br>(100 mm)  |  |  | ---       | <b>E3S-AR11</b> | <b>E3S-AR31</b> |
|                          |                | Connector (M12)   |                  |  |  |           | <b>E3S-AR21</b> | <b>E3S-AR41</b> |
|                          | Vertical<br>   | Pre-wired         |                  |  |  | ---       | <b>E3S-AR16</b> | <b>E3S-AR36</b> |
|                          |                | Connector (M12)   |                  |  |  | ---       | <b>E3S-AR61</b> | <b>E3S-AR81</b> |
|                          |                | Pre-wired         |                  |  |  |           | <b>E3S-AR71</b> | <b>E3S-AR91</b> |
|                          |                | Connector (M12)   |                  |  |  | ---       | <b>E3S-AR66</b> | <b>E3S-AR86</b> |

| Sensing method             | Appearance  | Connection method | Sensing distance   | Functions   | Model       |            |
|----------------------------|---|-------------------|--------------------|---|-------------|------------|
|                            |   |                   |                    |   | NPN output  | PNP output |
| Diffuse-reflective Sensors | Horizontal<br> | Pre-wired         | 100 mm (wide view) | ---   | E3S-AD13 *2 | E3S-AD33   |
|                            |   |                   | 200 mm             |   | E3S-AD23    | E3S-AD43   |
|                            |   |                   | 700 mm             | ---   | E3S-AD11    | E3S-AD31   |
|                            |   |                   | 200 mm             |   | E3S-AD21    | E3S-AD41   |
|                            |   |                   | 700 mm             | ---   | E3S-AD12    | E3S-AD32   |
|                            |   |                   | 200 mm             |   | E3S-AD22    | E3S-AD42   |
|                            |   | Connector (M12)   | 100 mm (wide view) | ---   | E3S-AD18    | E3S-AD38   |
|                            |   |                   | 200 mm             |   | E3S-AD16    | E3S-AD36   |
|                            |   |                   | 700 mm             |   | E3S-AD17    | E3S-AD37   |
|                            | Vertical<br>   | Pre-wired         | 100 mm (wide view) | ---   | E3S-AD63 *2 | E3S-AD83   |
|                            |   |                   | 200 mm             |   | E3S-AD73    | E3S-AD93   |
|                            |   |                   | 700 mm             | ---   | E3S-AD61    | E3S-AD81   |
|                            |   |                   | 200 mm             |   | E3S-AD71    | E3S-AD91   |
|                            |   |                   | 700 mm             | ---   | E3S-AD62    | E3S-AD82   |
|                            |   |                   | 200 mm             |   | E3S-AD72    | E3S-AD92   |
| Connector (M12)            | 100 mm (wide view)  | ---               | E3S-AD68           | E3S-AD88  |             |            |
|                            | 200 mm  |                   | E3S-AD66           | E3S-AD86  |             |            |
|                            | 700 mm  |                   | E3S-AD67           | E3S-AD87  |             |            |

\*1. Values in brackets are the minimum required distance between the Sensor and Reflector.

\*2. The following models are available with 200-mm sensing distances: E3S-AD14 and E3S-AD64.

## Accessories (Order Separately)

### Insert-type Long Slit

| Slit width       | Sensing distance | Minimum sensing object (typical) | Model   | Quantity                                       | Remarks  |
|------------------|------------------|----------------------------------|---------|--|--|
| 0.5 mm × 11.1 mm | 500 mm           | 0.2-mm dia.                      | E39-S46 | 1 of each for Emitter/Receiver (4 Slits total) | Slits can be used with the E3S-AT□□ Through-beam Sensor. → Page 10 |
| 1 mm × 11.1 mm   | 1.1 m            | 0.4-mm dia.                      |         |  |  |
| 2 mm × 13.6 mm   | 2.5 m            | 0.8-mm dia.                      |         |  |  |

### Mutual Interference Prevention Filters

| Sensing distance | Model  | Quantity   | Remarks  |
|------------------|--------|--|--|
| 2.4 m            | E39-E6 | 2 of each for Emitter/Receiver (4 Filters total) | Can be used with the E3S-AT□□ Through-beam Sensor. → Page 11 |

### Reflectors/Other Accessories

| Name                                | Sensing distance (typical)      | Model   | Quantity | Remarks  |
|-------------------------------------|---------------------------------|---------|----------|--|
| Reflectors                          | 2 m (100 mm) *<br>(rated value) | E39-R1  | 1        | Provided with E3S-AR□□ Retro-reflective Sensor.                  |
| Small Reflectors                    | 1.3 m (100 mm) *                | E39-R3  | 1        | ---  |
|                                     | 600 mm (70 mm) *                | E39-R4  | 1        | ---  |
| Tape Reflectors                     | 450 mm (100 mm) *               | E39-RS1 | 1        | Enables MSR function.  |
|                                     | 700 mm (100 mm) *               | E39-RS2 | 1        |  |
|                                     | 900 mm (100 mm) *               | E39-RS3 | 1        |  |
| Optical Axis Confirmation Reflector | ---                             | E39-R5  | 1        | Used to check optical axis for the E3S-AT□□ Through-beam Sensor. |

Note: When using any Reflector other than the provided one, use a sensing distance of approximately 0.7 times the typical value as a guide.

\* Values in brackets are the minimum required distance between the Sensor and Reflector.

### Mounting Brackets/Other

| Appearance   | Model   | Quantity | Remarks   |
|--|---------|----------|---|
|   | E39-L69 | 1        | Provided with E3S-A Horizontal Sensors.   |
|   | E39-L70 | 1        | Provided with E3S-A Vertical Sensors.   |
|   | E39-L59 | 1        | Provided with E3S-A Vertical Pre-wired Sensors.   |
|   | E39-L81 | 1        | Provided with E3S-A Vertical Connector Sensors.   |
|   | E39-L97 | 1        | Protective Cover for Horizontal Sensors<br>Note: When mounting Sensors with Connectors, the Sensor I/O Connector will come into contact with the Bracket. Mount the Sensor with care. |
|   | E39-L98 | 1        | Protective Cover for Vertical Sensors<br>Note: When mounting Sensors with Connectors, the Sensor I/O Connector will be longer. Mount the Sensor with care.                            |
|  | E39-L60 | 1        | Close Mounting Plate:<br>Provided with E3S-A Connector Sensors.   |

Note: If a Through-beam Model is used, order two Mounting Brackets, one for the Emitter and one for the Receiver.

### Sensors I/O Connectors

| Model  | Quantity | Remarks                |
|--------|----------|------------------------|
| E39-G2 | 1        | Provided with product. |

### Sensors I/O Connectors

| Cable    | Appearance  | Cable type |        | Model           |
|----------|---|------------|--------|-----------------|
| Standard | Straight<br> | 2 m        | 3-wire | XS2F-D421-DC0-A |
|          |   | 5 m        |        | XS2F-D421-GC0-A |
|          | L-shaped<br> | 2 m        |        | XS2F-D422-DC0-A |
|          |   | 5 m        |        | XS2F-D422-GC0-A |

## Ratings and Specifications

| Sensing method   |                  | Through-beam Sensors  | Retro-reflective Sensors (with MSR function)  | Diffuse-reflective Sensors                               |  |  |
|--|------------------|---|---|--|--|--|
| Item   | Model            | E3S-AT11, 16, 21, 31, 36, 41, 61, 66, 71, 81, 86, 91  | E3S-AR11, 16, 21, 31, 36, 41, 61, 66, 71, 81, 86, 91  | E3S-AD13, 18, 23, 33, 38, 43, 63, 68, 73, 83, 88, 93     | E3S-AD11, 16, 21, 31, 36, 41, 61, 66, 71, 81, 86, 91 | E3S-AD12, 17, 22, 32, 37, 42, 62, 67, 72, 82, 87, 92 |
| Sensing distance   |                  | 7 m   | 2 m (100 mm) *1<br>(When using E39-R1)  | 100 mm (wide view)<br>(white paper 100 × 100 mm)         | 10 to 200 mm<br>(white paper 100 × 100 mm)           | 700 mm<br>(white paper 200 × 200 mm)                 |
| Standard sensing object  |                  | Opaque:<br>10-mm dia. min.  | Opaque:<br>75-mm dia. min.  | ---  |  |  |
| Differential travel  |                  | ---   |   | 20% max. of sensing distance                             | 10% max. of sensing distance                         | 20% max. of sensing distance                         |
| Directional angle  |                  | Both Emitter and Receiver: 3° to 15°  | 3 to 10°  | ---  |  |  |
| Light source (wavelength)  |                  | Red LED (700 nm)  |   | Infrared LED (880 nm)                                    | Red LED (700 nm)                                     | Infrared LED (880 nm)                                |
| Power supply voltage   |                  | 10 to 30 VDC, including ripple (p-p) 10%  |   |  |  |  |
| Current consumption  |                  | Both Emitter and Receiver: 20 mA max. (plus approx. 15 mA with turbo function)  | 30 mA max. (plus approx. 15 mA with turbo function)   | 35 mA max.   | 30 mA max. (plus approx. 15 mA with turbo function)  | 35 mA max.   |
| Control output   |                  | Load power supply voltage: 30 VDC max., Load current: 100 mA max. (residual voltage: 1 V max.)<br>Open-collector output (NPN or PNP depending on model), Light-ON/Dark-ON selectable  |   |  |  |  |
| Self-diagnostic output (Only on Sensors with self-diagnostic outputs)        |                  | (Only Sensors with self-diagnostic function) Load power supply voltage: 30 VDC max.,<br>Load current: 50 mA max. (residual voltage: 1 V max.),<br>Open-collector output (NPN or PNP depending on model)   |   |  |  |  |
| External diagnostic input (Only on Sensors with external diagnostic outputs) | Input voltage    | NPN<br>with Emitter OFF: 0 V short-circuit or 1.5 V max. (source current: 1 mA max.)<br>with Emitter ON: Open (leakage current: 0.1 mA max.)<br>PNP<br>with Emitter OFF: +DC short-circuit or -1.5 VDC max. (sink current: 3 mA max.)<br>with Emitter ON: Open (leakage current: 0.1 mA max.) |   | ---  |  |  |
|  | Response time    | 0.5 ms max.   |   |  |  |  |
| Protection circuits  |                  | Power supply reverse polarity protection, Output short-circuit protection   | Power supply reverse polarity protection, Output short-circuit protection, Mutual interference prevention |  |  |  |
| Response time  |                  | Operation or reset: 0.5 ms max.   |   |  |  |  |
| Sensitivity adjustment   |                  | Two-turn endless adjuster with an indicator   |   |  |  |  |
| Timer function (Only on Sensors with the timer function)                     |                  | 0 to 100 ms OFF-delay variable adjuster   |   |  |  |  |
| Turbo function (Only on Sensors with the turbo function)                     |                  | Yes (with turbo switch)   |   |  |  | ---  |
| Ambient illumination (Receiver side)   |                  | Incandescent lamp: 5,000 lx max.<br>Sunlight: 10,000 lx max.  |   |  |  |  |
| Ambient temperature  |                  | Operating: -25°C to 55°C (with no icing or condensation)<br>Storage: -40°C to 70°C (with no icing or condensation)  |   |  |  |  |
| Ambient humidity   |                  | Operating: 35% to 85% (with no condensation)<br>Storage: 35% to 95% (with no condensation)  |   |  |  |  |
| Insulation resistance  |                  | 20 MΩ min. at 500 VDC between current-carrying parts and case   |   |  |  |  |
| Dielectric strength  |                  | 1,000 VAC, 50/60 Hz for 1 min. between current-carrying parts and case  |   |  |  |  |
| Vibration resistance (destruction)   |                  | 10 to 55 Hz, 1.5-mm double amplitude for 2 hours each in X, Y, and Z directions   |   |  |  |  |
| Shock resistance (destruction)   |                  | Destruction: 500m/s <sup>2</sup> , 3 times each in X, Y, and Z directions   |   |  |  |  |
| Degree of protection   |                  | IEC IP67; NEMA: 4X (indoors only) *2  |   |  |  |  |
| Connection method  |                  | Pre-wired (standard length: 2 m) or M12 connector   |   |  |  |  |
| Weight (packed state)  |                  | Pre-wired cable:<br>Approx. 150 g<br>Connector: Approx. 70 g  | Pre-wired cable:<br>Approx. 110 g<br>Connector: Approx. 60 g  | Pre-wired cable: Approx. 90 g<br>Connector: Approx. 50 g |  |  |
| Material   | Case             | PBT   |   |  |  |  |
|  | Lens             | Denatured polyallylate  |   |  |  |  |
|  | Mounting Bracket | Stainless steel (SUS304)  |   |  |  |  |
| Accessories  |                  | Mounting bracket (with screws), Sensitivity adjustment driver, Sensitivity adjusting knob, Instruction sheet, Close mounting plate (only for Sensors with connectors), and Reflector (only for Retro-reflective Sensors)  |   |  |  |  |

\*1. Values in brackets are the minimum required distance between the Sensor and Reflector.

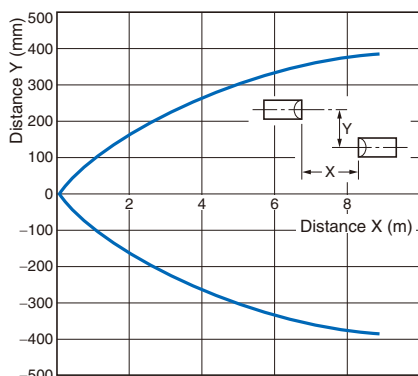
\*2. National Electrical Manufacturers Association

## Engineering Data (Typical)

### Parallel Sensing Range

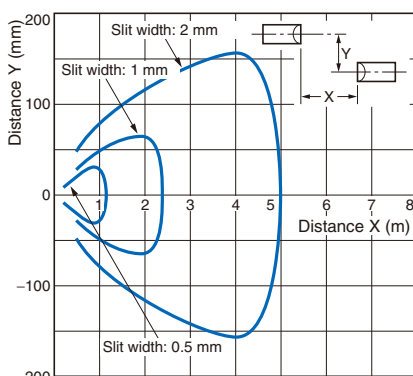
#### Through-beam Sensors

E3S-AT□□



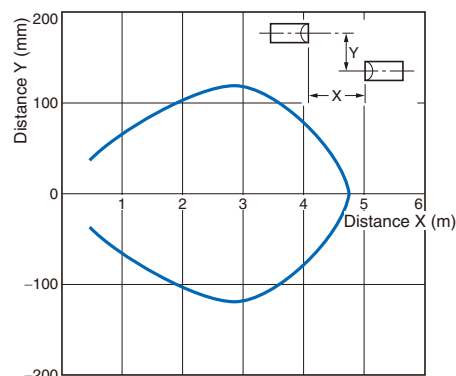
#### Through-beam Sensors

E3S-AT□□ + E39-S46  
(Slit Sold Separately)



#### Through-beam Sensors

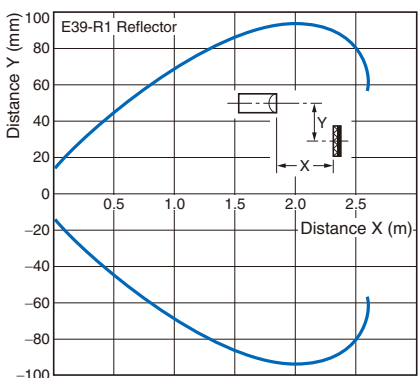
E3S-AT□□ + E39-E6  
(Filter Sold Separately)



### Parallel Sensing Range

#### Retro-reflective Sensors

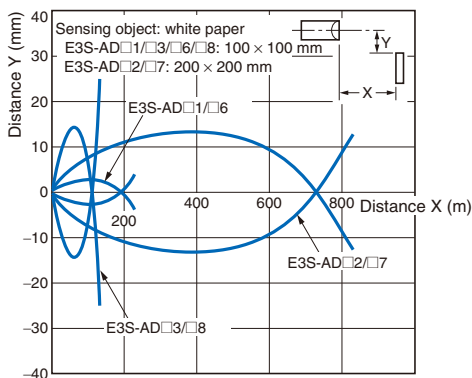
E3S-AR□□ + E39-R1 (with Reflector)



### Sensing Range

#### Diffuse-reflective Sensors

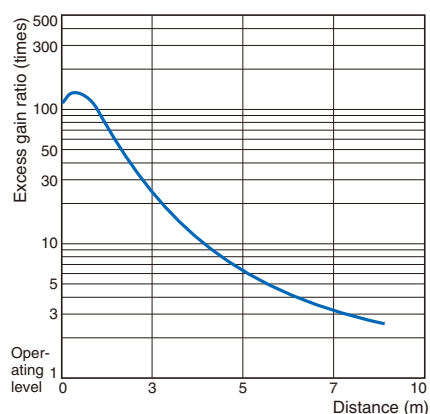
E3S-AD□1/AD□2/AD□3/AD□6/AD□7/AD□8



### Excess Gain vs. Set Distance

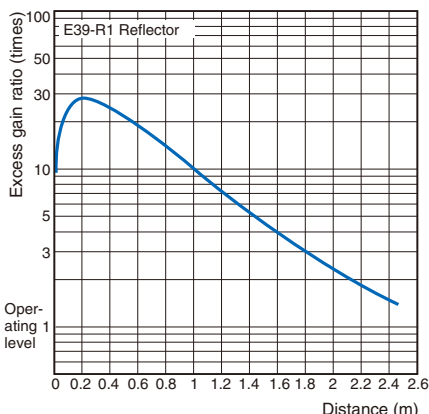
#### Through-beam Sensors

E3S-AT□□



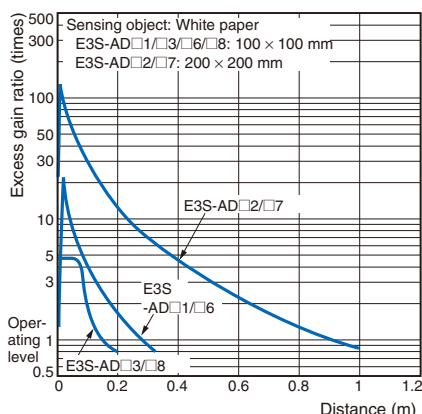
#### Retro-reflective Sensors

E3S-AR□□ + E39-R1 (with Reflector)



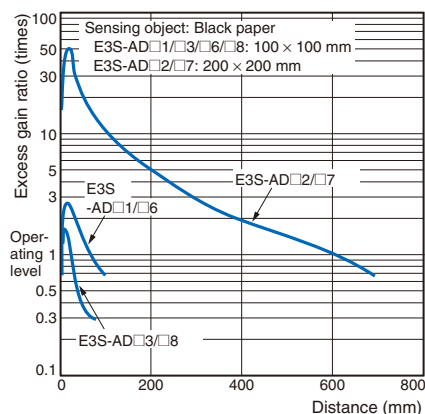
## Diffuse-reflective Sensor

### E3S-AD□1/AD□2/AD□3/AD□6/AD□7/AD□8 (Detection of White Paper)



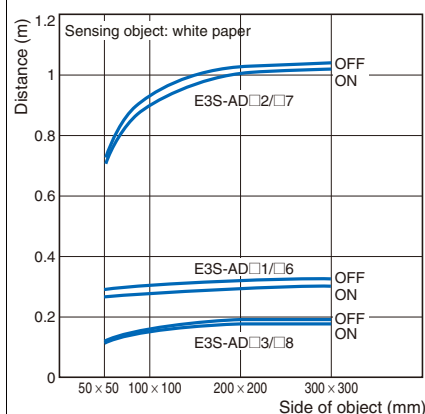
## Diffuse-reflective Sensor

### E3S-AD□1/AD□2/AD□3/AD□6/AD□7/AD□8 (Detection of Black Paper)



## Sensing Object Size vs. Sensing Distance

### E3S-AD□1/AD□2/AD□3/AD□6/AD□7/AD□8



## I/O Circuit Diagrams

### NPN Output

| Model  | Operation mode        | Timing charts   | Mode selector switch | Output circuit   |
|--|-----------------------|---|----------------------|--|
| E3S-AT11<br>E3S-AT16<br>E3S-AT61<br>E3S-AT66   | Light-ON              | Incident light: ON (green bar)<br>No incident light: OFF (white bar)<br>Light indicator ON (red): OFF (white bar)<br>Output transistor: ON (green bar)<br>Load Operate (e.g., relay): Operate (green bar)<br>Reset (Between brown and black): OFF (white bar) | L Side (LIGHT ON)    | Through-beam Receivers, Retro-reflective Sensors, Diffuse-reflective Sensors<br> |
| E3S-AR11<br>E3S-AR16<br>E3S-AR61<br>E3S-AR66   |                       | Incident light: ON (green bar)<br>No incident light: OFF (white bar)<br>Light indicator ON (red): ON (green bar)<br>Output transistor: OFF (white bar)<br>Load Operate (e.g., relay): Operate (green bar)<br>Reset (Between brown and black): OFF (white bar) |                      |  |
| E3S-AD11<br>E3S-AD16<br>E3S-AD61<br>E3S-AD66<br>E3S-AD12<br>E3S-AD17<br>E3S-AD62<br>E3S-AD67<br>E3S-AD13<br>E3S-AD18<br>E3S-AD63<br>E3S-AD68 | Through-beam Emitters |   |                      |  |

Connector Pin Arrangement



Note: Pin 2 is not used.

Connector Pin Arrangement



Note: Pins 2 and 4 are not used.

| Model  | Operation mode | Timing charts  | Mode selector switch | Output circuit                                     |
|--|----------------|--|----------------------|--|
| E3S-AT21<br>E3S-AT71<br><br>E3S-AD21<br>E3S-AD71<br>E3S-AD22<br>E3S-AD72<br>E3S-AD23<br>E3S-AD73 | Light-ON       | <p>Incident light ON, OFF</p> <p>No incident light</p> <p>Light indicator (red) ON, OFF</p> <p>Output transistor ON, OFF</p> <p>Load Operate (e.g., relay) ON, OFF</p> <p>Reset OFF, ON</p> <p>(Between brown and black)</p> <p>T: OFF-delay timer (0 to 100 ms)</p> | L Side (LIGHT ON)    | Through-beam Receivers, Diffuse-reflective Sensors |
|  | Dark-ON        | <p>Incident light ON, OFF</p> <p>No incident light</p> <p>Light indicator (red) OFF, ON</p> <p>Output transistor OFF, ON</p> <p>Load Operate (e.g., relay) OFF, ON</p> <p>Reset ON, OFF</p> <p>(Between brown and black)</p> <p>T: OFF-delay timer (0 to 100 ms)</p> | D Side (DARK ON)     |  |
| ---  | ---            | <p>External diagnostic input ON, OFF</p> <p>Emitter LED ON, OFF</p> <p>Indicator (red) ON, OFF</p> <p>(Between blue and pink)</p>  | ---                  | Through-beam Emitters                              |
| E3S-AR21<br>E3S-AR71   | Light-ON       | <p>Incident light ON, OFF</p> <p>No incident light</p> <p>Light indicator (red) ON, OFF</p> <p>Output transistor ON, OFF</p> <p>Load Operate (e.g., relay) ON, OFF</p> <p>Reset OFF, ON</p> <p>(Between brown and black)</p> <p>T: OFF-delay timer (0 to 100 ms)</p> | L Side (LIGHT ON)    | Retro-reflective Sensors                           |
|  | Dark-ON        | <p>Incident light ON, OFF</p> <p>No incident light</p> <p>Light indicator (red) OFF, ON</p> <p>Output transistor OFF, ON</p> <p>Load Operate (e.g., relay) OFF, ON</p> <p>Reset ON, OFF</p> <p>(Between brown and black)</p> <p>T: OFF-delay timer (0 to 100 ms)</p> | D Side (DARK ON)     |  |

### Structure of Sensor I/O Connector



| Classification | Wire color | Connection Pin No. | Application |
|----------------|------------|--------------------|-------------|
| For DC         | Brown      | 1                  | +V          |
|                | ---        | 2                  | ---         |
|                | Blue       | 3                  | 0 V         |
|                | Black      | 4                  | Output      |

Note: Pin No. 2 is not used.

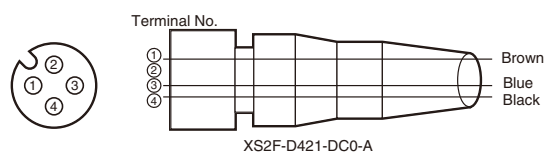
## PNP Output

| Model  | Operation mode | Timing charts | Mode selector switch | Output circuit  |
|--|----------------|---------------|----------------------|---|
| E3S-AT31<br>E3S-AT36<br>E3S-AT81<br>E3S-AT86   | Light-ON       |               | L Side<br>(LIGHT ON) | <p>Through-beam Receivers, Retro-reflective Sensors, Diffuse-reflective Sensors</p> <p><b>Connector Pin Arrangement</b></p> <p>Note: Pin 2 is not used.</p> |
| E3S-AR31<br>E3S-AR36<br>E3S-AR81<br>E3S-AR86   | Dark-ON        |               | D Side<br>(DARK ON)  | <p>Through-beam Model Emitters</p> <p><b>Connector Pin Arrangement</b></p> <p>Note: Pins 2 and 4 are not used.</p>  |
| E3S-AD31<br>E3S-AD36<br>E3S-AD81<br>E3S-AD86<br>E3S-AD32<br>E3S-AD37<br>E3S-AD82<br>E3S-AD87<br>E3S-AD33<br>E3S-AD38<br>E3S-AD83<br>E3S-AD88 | Light ON       |               | L Side<br>(LIGHT ON) | <p>Through-beam Receivers, Diffuse-reflective Sensors</p>   |
| E3S-AT41<br>E3S-AT91   | Dark ON        |               | D Side<br>(DARK ON)  |   |
| E3S-AD41<br>E3S-AD91<br>E3S-AD42<br>E3S-AD92<br>E3S-AD43<br>E3S-AD93   | ---            |               | ---                  | <p>Through-beam Emitters</p>  |



| Model                | Operation mode | Timing charts  | Mode selector switch | Output circuit                  |
|----------------------|----------------|--|----------------------|---------------------------------|
| E3S-AR41<br>E3S-AR91 | Light-ON       | <p>Incident light: ON (green bar), OFF (white)</p> <p>No incident light: OFF (white)</p> <p>Light indicator (red): ON (green bar), OFF (white)</p> <p>Output transistor: ON (green bar), OFF (white)</p> <p>Load Operate (e.g., relay): Operate (green bar), Reset (white)</p> <p>T: OFF-delay timer (0 to 100 ms)</p> | L Side<br>(LIGHT ON) | <p>Retro-reflective Sensors</p> |
|                      | Dark-ON        | <p>Incident light: ON (green bar), OFF (white)</p> <p>No incident light: OFF (white)</p> <p>Light indicator (red): OFF (white)</p> <p>Output transistor: ON (green bar), OFF (white)</p> <p>Load Operate (e.g., relay): Operate (green bar), Reset (white)</p> <p>T: OFF-delay timer (0 to 100 ms)</p>                 | D Side<br>(DARK ON)  |                                 |

## Structure of Sensor I/O Connector



| Classification | Wire color | Connection Pin No. | Application |
|----------------|------------|--------------------|-------------|
| For DC         | Brown      | 1                  | +V          |
|                | ---        | 2                  | ---         |
|                | Blue       | 3                  | 0 V         |
|                | Black      | 4                  | Output      |

Note: Pin 2 is not used.

## Adjustment Methods

### Sensitivity Adjustment for Diffuse-reflective Sensors Set to Light ON

| Item          | Sensing condition | Sensitivity adjuster | Indicators  | Procedure  |
|---------------|-------------------|----------------------|---|--|
| 1) Position A |                   |                      | <p>ON → OFF      OFF → ON</p> <p>Stability indicator (green)      Light indicator (red)</p> | Locate a sensing object at the sensing distance, set the sensitivity adjuster to the minimum scale position, and gradually increase sensitivity by turning the sensitivity adjuster clockwise until the incident light indicator (red LED) is ON. Position A is where the indicator has turned ON.   |
| 2) Position B |                   |                      | <p>ON → OFF      ON → OFF</p> <p>Stability indicator (green)      Light indicator (red)</p> | Position B is when the sensing object is removed and the sensitivity adjuster is turned clockwise until the incident light indicator (red LED) is ON. Position C is where the adjuster is turned counterclockwise (reducing the sensitivity) from position B until the incident light indicator (red LED) is OFF. When there are no background objects, the maximum sensitivity is position C. |
| 3) Setting    | ---               |                      | <p>ON      ON → OFF</p> <p>Stability indicator (green)      Light indicator (red)</p>       | Set the sensitivity adjuster to halfway between (A) and (C) (at the optimum sensitivity). Check that the stability indicator (green LED) turns ON according to whether the sensing object is there or not. There is not sufficient margin if it does not turn ON. If this is the case, reconsider the detection method.  |

Unlike conventional Photoelectric Sensors, the variation in the sensitivity of E3S-A Photoelectric Sensors is minimal. This means the sensitivity can be adjusted on only a single Photoelectric Sensor, and then the adjusters on the other Photoelectric Sensors can be set to the same scale position. There is no need to adjust the sensitivity of each Photoelectric Sensor individually.

## Safety Precautions

### ⚠ WARNING

This product is not designed or rated for ensuring safety of persons. Do not use it for such purposes.



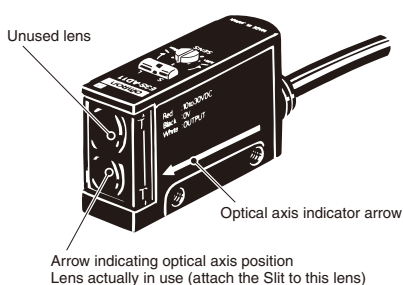
### Precautions for Correct Use

Do not use the product in atmospheres or environments that exceed product ratings.

#### Mounting

##### Position of Optical Axis of Through-beam Model

Unlike conventional through-beam sensors, the E3S-A Through-beam Photoelectric Sensor incorporates 2 lenses. The lens actually in use is the one marked with an arrow indicating the position of the optical axis. When using a Slit, attach it to the lens marked with the arrow.

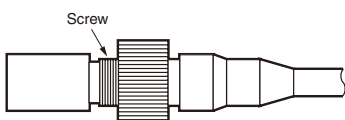


##### Position of Arrow Indicating Optical Axis

| Model                         | Position of lens in use |
|-------------------------------|-------------------------|
| E3S-A<br>(Vertical Sensors)   | Top                     |
| E3S-A<br>(Horizontal Sensors) | Bottom                  |

#### Tightening the Connector

Manually tighten the connector until the threads have completely disappeared. If tightening is insufficient, the degree of protection may not be maintained, or the connector may become loose when it is subjected to vibration. Using pliers to tighten the connector may damage it.

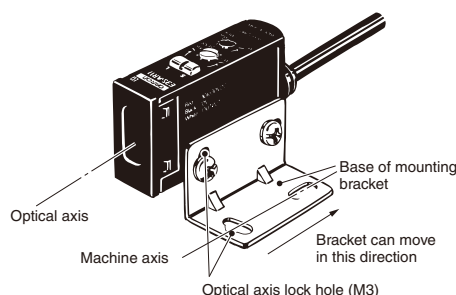


Use the E39-L60 Close Mounting Plate (provided) if the Sensor is mounted using mounting brackets or if it is mounted directly. (Refer to *Dimensions*.)

#### Mounting Bracket (Provided)

The direction of the optical axis coincides with the machine axis of the E3S-A when the mounting screw is inserted into the lock hole of the Mounting Bracket. If the mounting surface and the screw hole are correctly aligned toward the sensing object (or toward the Retroreflector for a Through-beam Sensor), the mechanical axis and optical axis will be aligned when the screw is inserted into the hole. Incident light will be detected, and time-consuming adjustment will not be necessary. (If, however, the mounting surface is not flat, adjustment of the optical axis may still be required.) Adjust the position of the Sensor so that incident light points at the center. Make sure that the incident light is at a fixed position.

The maximum tightening torque of the screw is 0.53 N.m max.

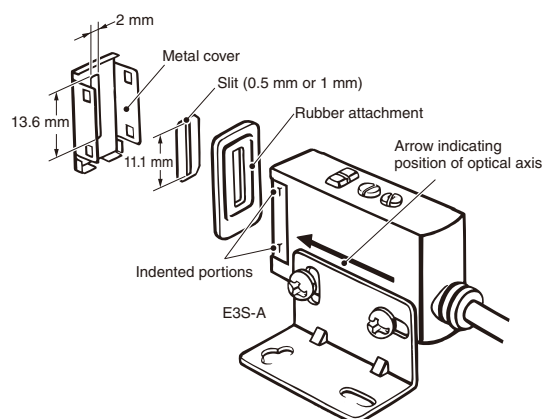


#### ● Adjustments

##### E39-S46 Through-beam Slits

(Accessory, order separately)

Use the rubber attachment with the metal cover if a slit width of 2 mm is required. (A Slit is not required in this case.) Insert the 0.5- or 1-mm Slit between the metal cover and rubber attachment if a slit width of 0.5 or 1 mm is desired. These Slits fit into the rubber attachment.



Apply the Slit to the lens of the Photoelectric Sensor marked with an arrow indicating the position of the optical axis (apply it to the bottom lens of Horizontal Sensors and the top lens of Vertical Sensors).

### E39-E6 Polarized Mutual Interference Prevention Filters for Through-beam Sensors

(Accessory, order separately)

- A set of 4 Filters are sold together for two Through-beam Sensors (for 2 each for Emitters and Receivers). Order one for every two sets of Photoelectric Sensors.
- For mounting, refer to the figure of the Through-beam Slits.



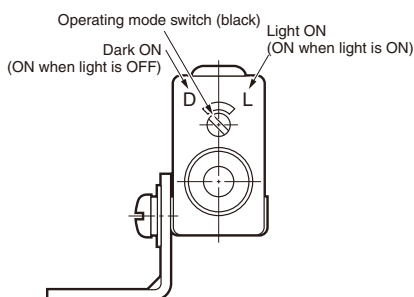
Note: The arrows on the Filters can be attached in either direction when two Sensors are mounted next to each other. The Filter attached to an Emitter and to the corresponding Receiver must be the same in direction of polarization or the Sensor will not function.

- The arrow printed on the cover indicates the direction of polarization. By attaching the Filters opposite to each other in polarization to the Emitters and the Receivers in rows, mutual interference can be prevented (in any case, the Filter attached to an Emitter and to the corresponding Receiver must be the same in direction of polarization or the Photoelectric Sensor will not function).

### Operating Mode Selection

As shown in the following illustration, the E3S-A has an operating mode selector on the panel where the Receiver connector is located.

With this operating mode selector, the E3S-A is in either Dark-ON or Light-ON mode.



The default operating mode is shown in the following table.

| Sensing method             | Default switch setting |
|----------------------------|------------------------|
| Through-beam Sensors       | Dark-ON                |
| Retro-reflective Sensors   | Dark-ON                |
| Diffuse-reflective Sensors | Light-ON               |

### Timer and Turbo Switch

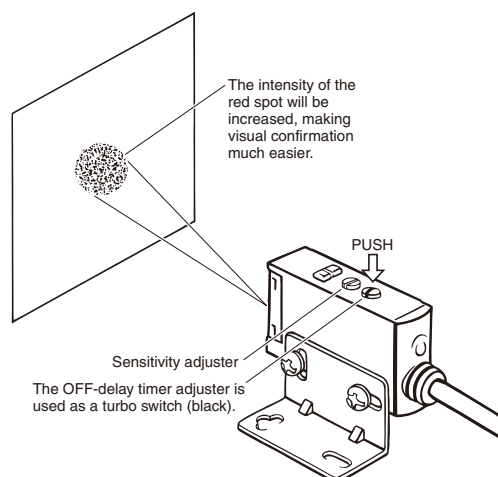
The Emitter of the Through-beam Sensor with the self-diagnostic feature incorporates a turbo switch. When this switch is ON, the intensity of the red LED light source can be increased to make a brighter spot.

### Turbo Function ( Turbo Switch)

The turbo function is effective with the turbo switch pressed, and the function is reset automatically when released. With the turbo function switched ON, the light spot is visible even at a distance of 200 mm, making it easy to check the sensing position and the angle of the optical axis.

#### Precautions

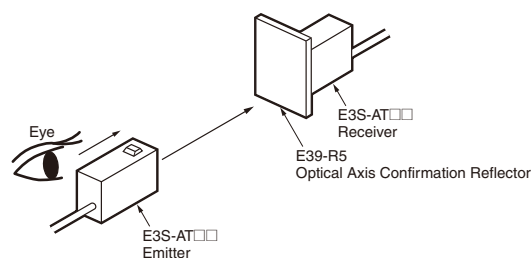
- (1) Do not keep the turbo switch pressed for longer than 3 minutes. (It will not break even if it is pressed for an extended period.)
- (2) Pressing the switch may change the timer delay settings. Set the timer after using the turbo function to check the optical axis.
- (3) To press the switch, use a force of 9.8 N max.



### Using the E39-R5 Optical Axis Reflector for Through-beam Sensors

(Accessory, order Separately)

Use this attachment when the set distance is long and adjustment is mechanically difficult with a sensing object.



- Attach the Reflector to the Receiver.
- Look at the Reflector from right behind the Emitter. The Reflector should be bright with red light when the optical beam strikes the Reflector. If the Emitter has a turbo function, the Reflector looks brighter with the function switched ON.
- When the Reflector is removed, the light beam strikes the Receiver.

## Dimensions

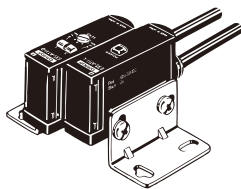
Unless otherwise specified, the tolerance class IT16 is used for dimensions in this data sheet.

### E3S-A Built-in Amplifier Photoelectric Sensor

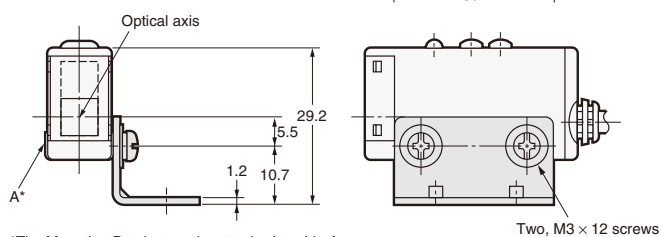
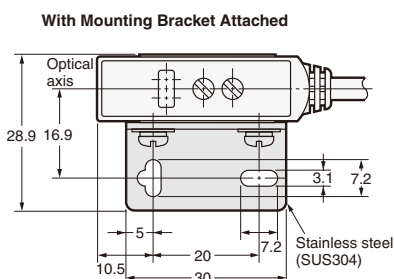
#### Through-beam Sensors (Horizontal)

#### Pre-wired Sensors

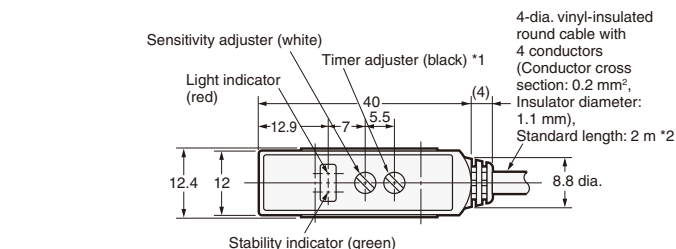
#### E3S-AT11/21/31/41 (Receiver)



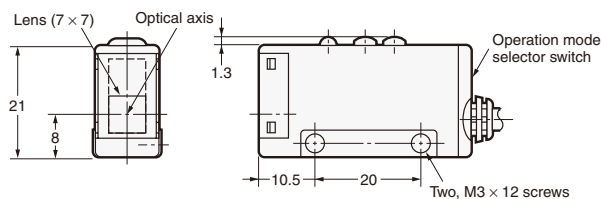
Emitter: E3S-AT□□-L  
Receiver: E3S-AT□□-D



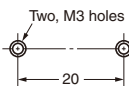
\*The Mounting Bracket can be attached to side A.



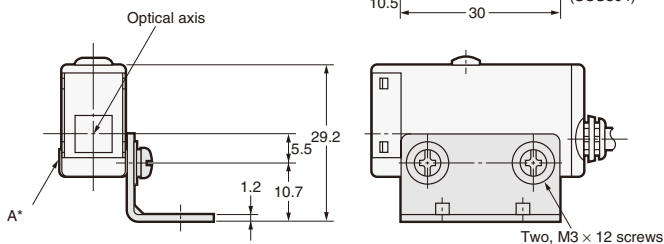
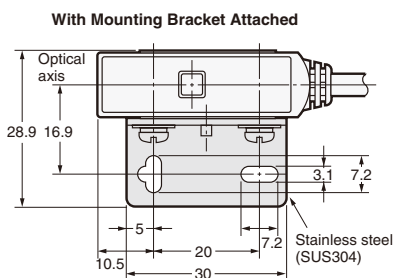
\*1. Not applicable to Sensors with timer adjusters (E3S-AT11 and E3S-AT31).  
\*2. The E3S-AT11 or E3S-AT31 has three conductors.



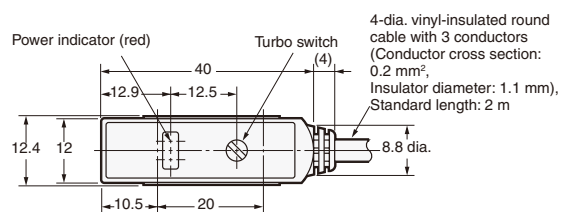
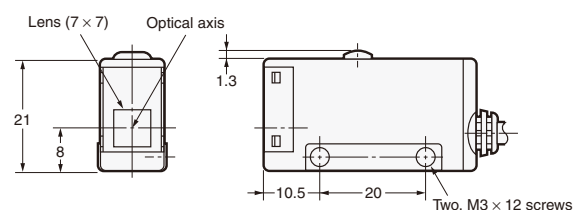
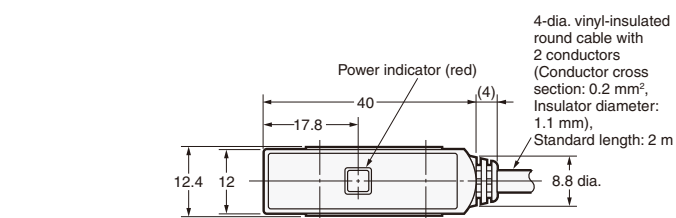
#### Mounting Holes



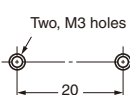
#### E3S-AT11/31 (Emitter)



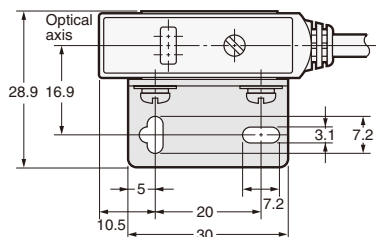
\*The Mounting Bracket can be attached to side A.



#### Mounting Holes

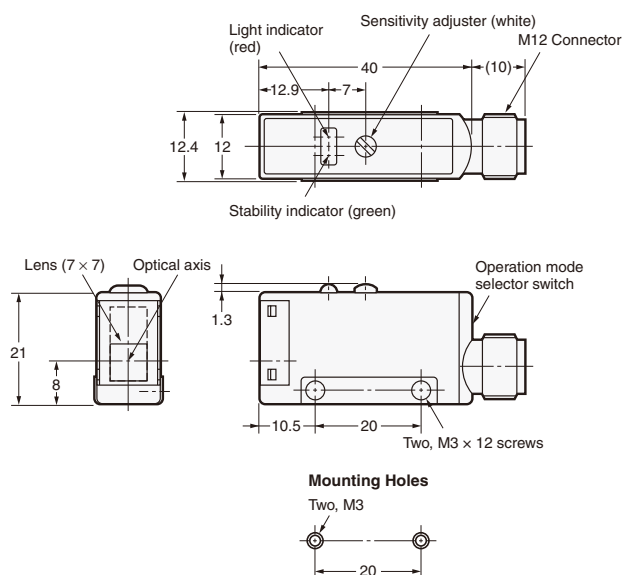
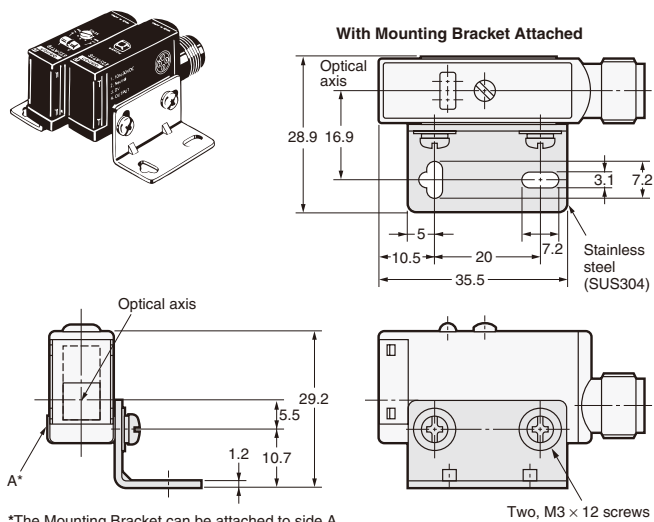


#### E3S-AT21/41 (Emitter)

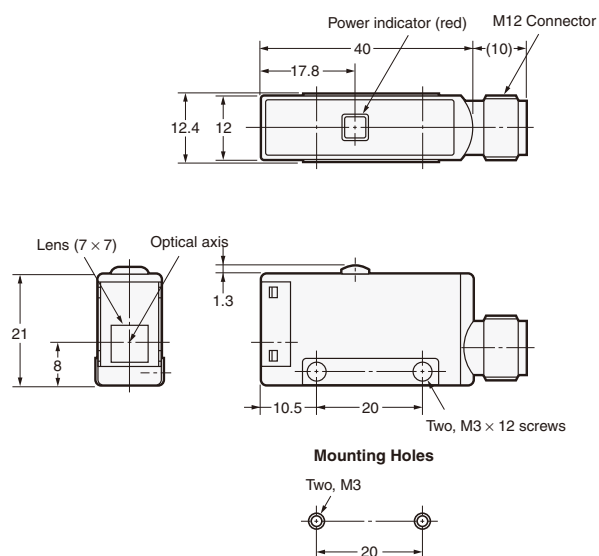
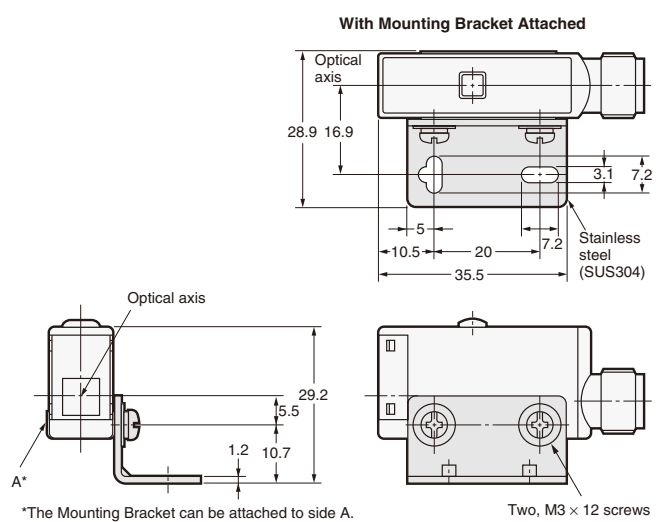


## Sensors with Standard Connectors

### E3S-AT16/36 (Receiver)



### E3S-AT16/36 (Emitter)



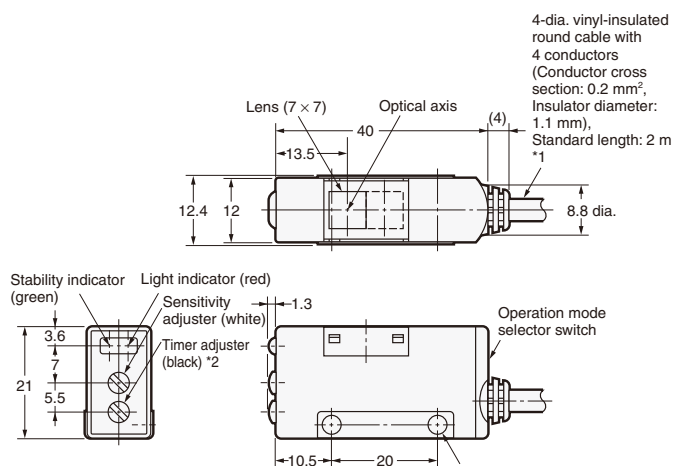
## Through-beam Sensors (Vertical)

### Pre-wired Sensors

#### E3S-AT61/71/81/91 (Receiver)

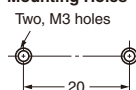


\*The Mounting Bracket can be attached to side A.

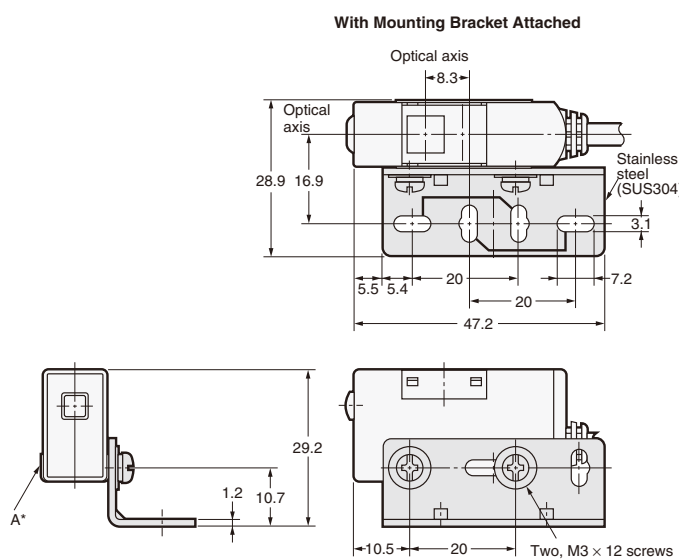


\*1. The E3S-AT61 or E3S-AT81 has three conductors.  
\*2. Not applicable to timer adjuster models E3S-AT61 and E3S-AT81.

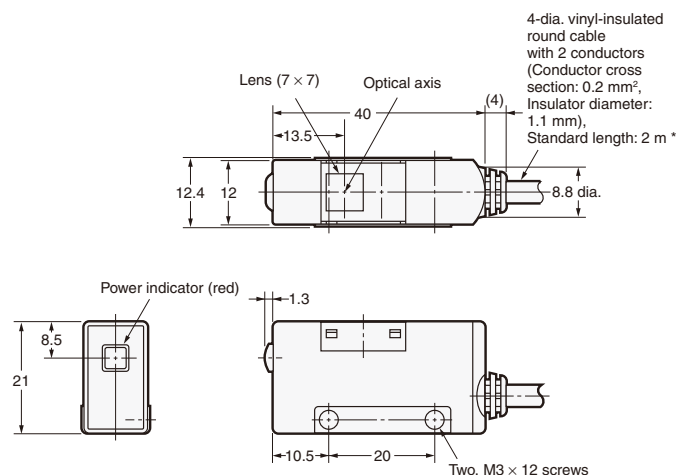
#### Mounting Holes



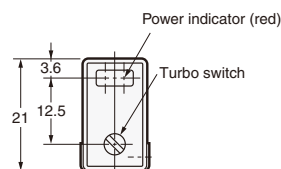
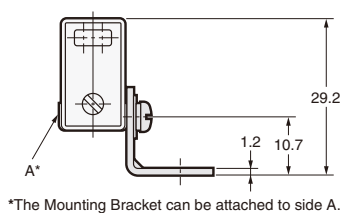
#### E3S-AT61/81 (Emitter)



\*The Mounting Bracket can be attached to side A.

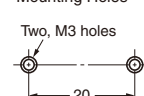


#### E3S-AT71/91 (Emitter)



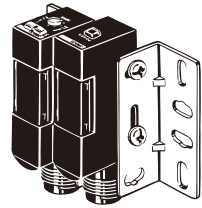
\*The E3S-AT71 of E3S-AT91 has three conductors.

#### Mounting Holes

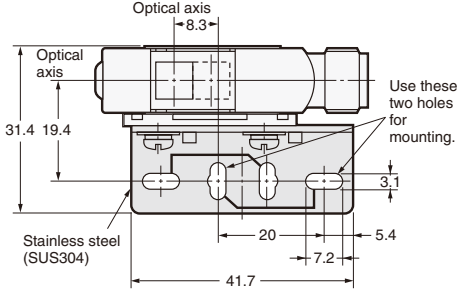


Connector Sensors

E3S-AT66/86 (Receiver)

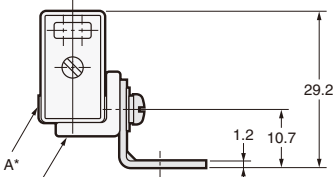


With Mounting Bracket Attached



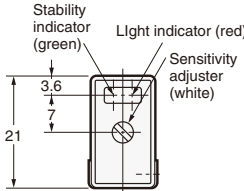
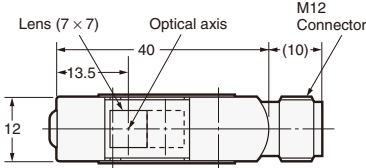
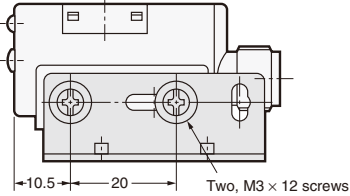
Use these two holes for mounting.

Stainless steel (SUS304)



E39-L60 Close Mounting Plate (provided) (Attach the mounting plate or the plug cannot be connected.)

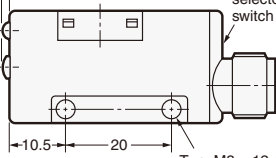
\*The Mounting Bracket can be attached to side A.



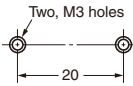
Stability indicator (green) Light indicator (red)

Sensitivity adjuster (white)

Operation mode selector switch

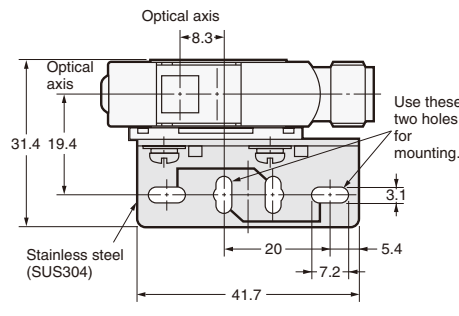


Mounting Holes



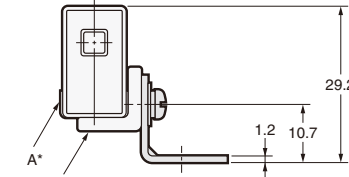
E3S-AT66/86 (Emitter)

With Mounting Bracket Attached



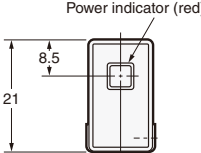
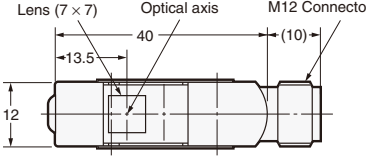
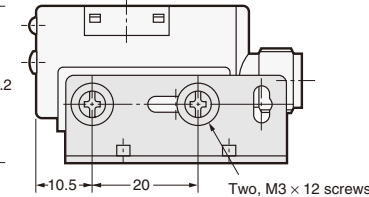
Use these two holes for mounting.

Stainless steel (SUS304)

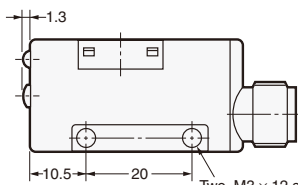


E39-L60 Close Mounting Plate (provided) (Attach the mounting plate or the plug cannot be connected.)

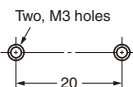
\*The Mounting Bracket can be attached to side A.



Power indicator (red)



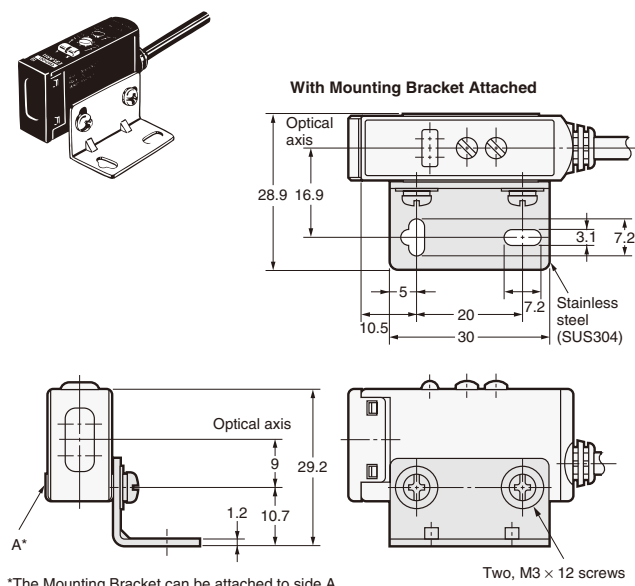
Mounting Holes



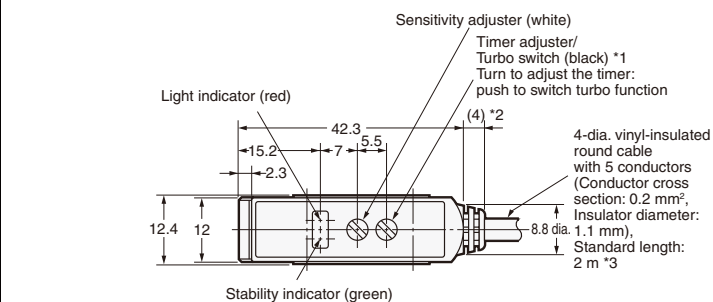
## Retro-reflective Sensors (Horizontal)

### Pre-wired Sensors

#### E3S-AR11/21/31/41



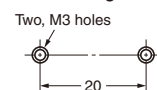
\*The Mounting Bracket can be attached to side A.



- \*1. For E3S-AR21 and E3S-AR41 only.
- \*2. 9.7 mm for E3S-AR21 and E3S-AR41.
- \*3. The E3S-AR11 or E3S-AR31 has three conductors.



#### Mounting Holes

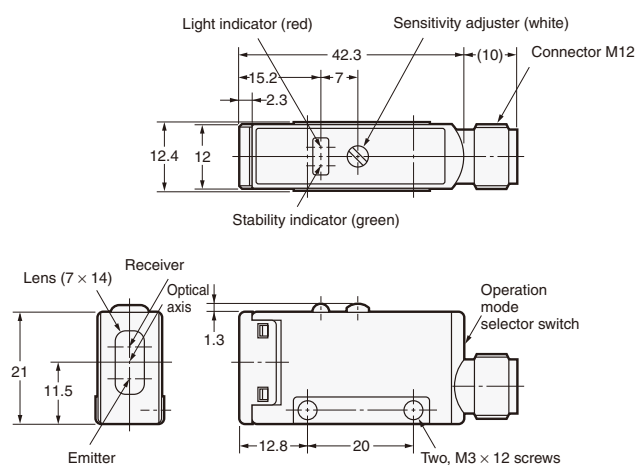


## Sensors with Connectors

#### E3S-AR16/36



\*The Mounting Bracket can be attached to side A.



#### Mounting Holes

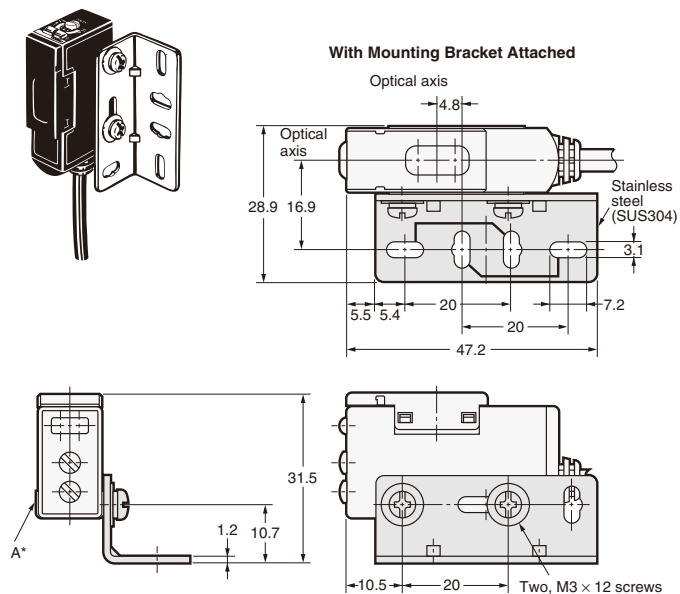




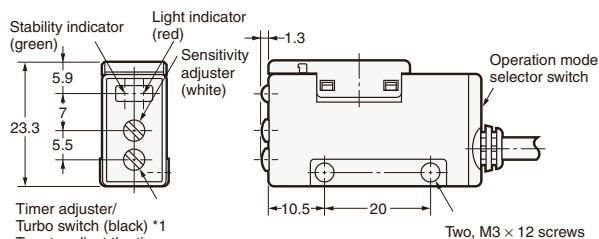
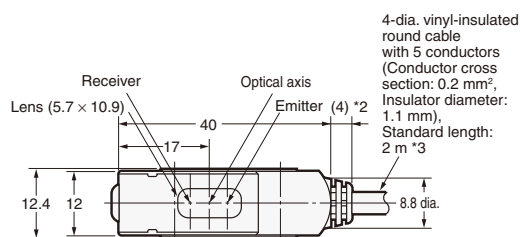
## Retro-reflective Sensors (Vertical)

### Pre-wired Sensors

#### E3S-AR61/71/81/91



\*The Mounting Bracket can be attached to side A.

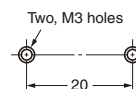


\*1. Available on E3S-AR71 and E3S-AR91 only.

\*2. 9.7 mm for E3S-AR71 and E3S-AR91.

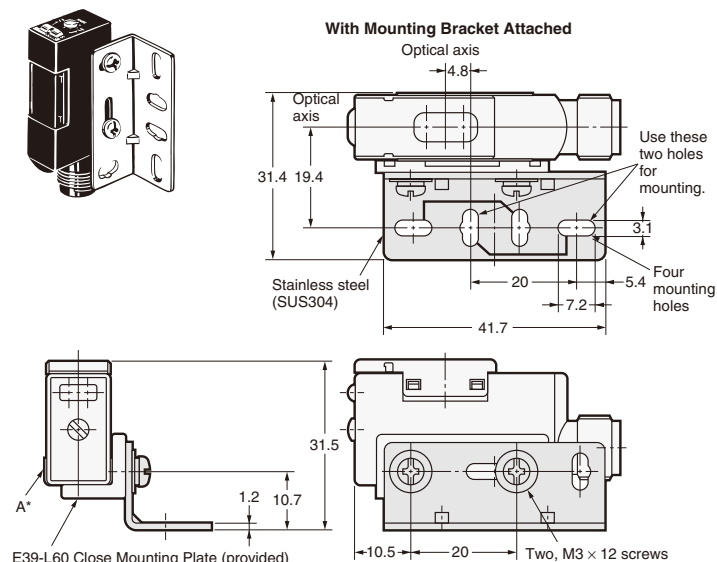
\*3. The E3S-AR611 or E3S-AR81 has three conductors.

#### Mounting Holes



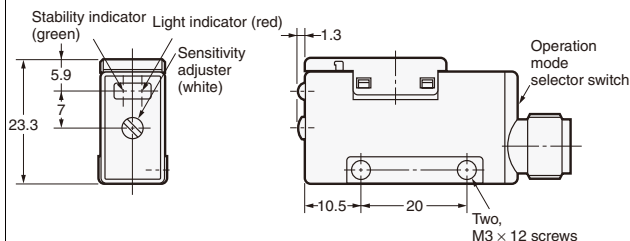
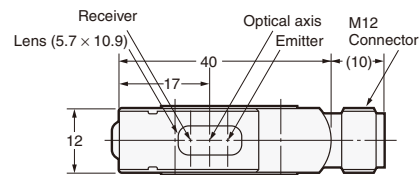
## Sensors with Connectors

#### E3S-AR66/86

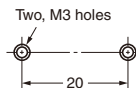


E39-L60 Close Mounting Plate (provided)  
(Attach the mounting plate or the plug cannot be connected.)

\*The Mounting Bracket can be attached to side A.



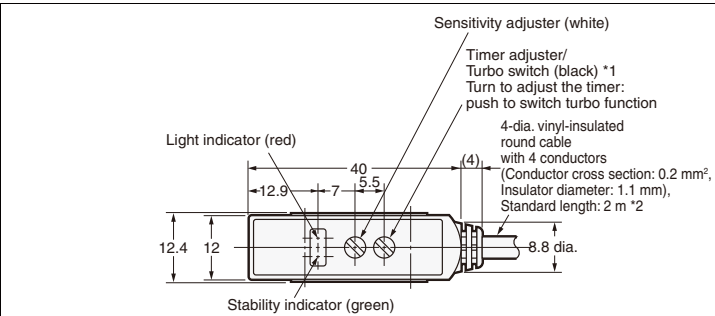
#### Mounting Holes



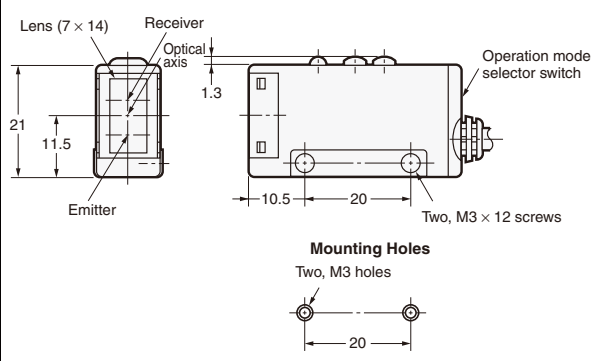
## Diffuse-reflective Sensors (Horizontal)

### Pre-wired Sensors

**E3S-AD11/12/13/21/22/23  
-AD31/32/33/41/42/43**

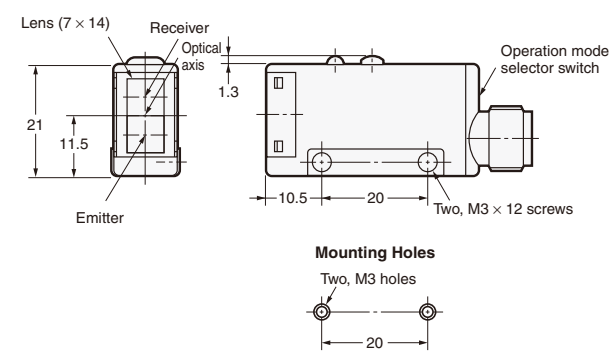
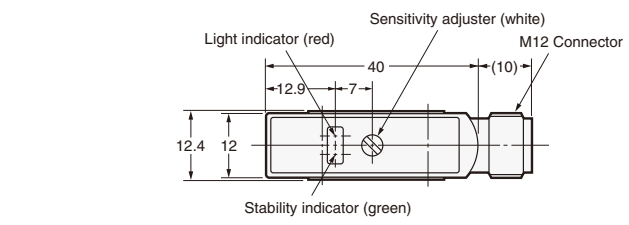
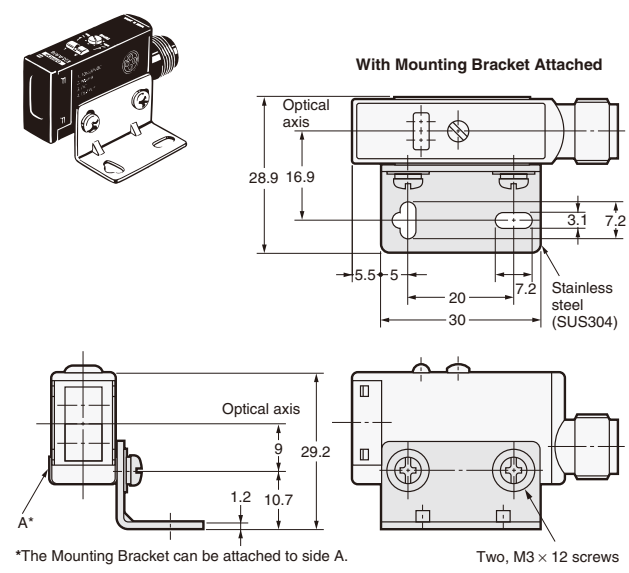


\*1. Timer adjuster: Not available on E3S-AD11, E3S-AD12, E3S-AD13, E3S-AD31, E3S-AD32 and E3S-AD33.  
Turbo switch: Available on E3S-AD21 and E3S-AD41 only.  
\*2. The E3S-AD11, E3S-AD12, E3S-AD13, E3S-AD31, E3S-AD32, or E3S-AD33 has three conductors.



## Sensors with Connectors

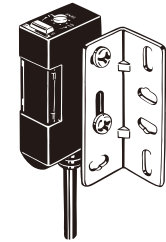
**E3S-AD16/17/18/36/37/38**



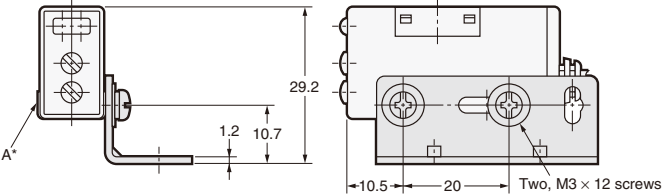
Diffuse-reflective Sensors (Vertical)

Pre-wired Sensors

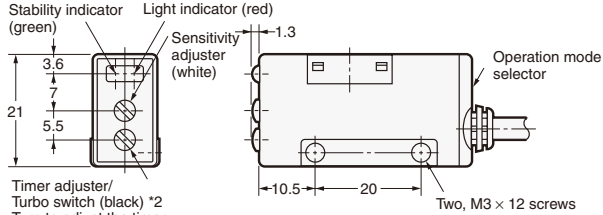
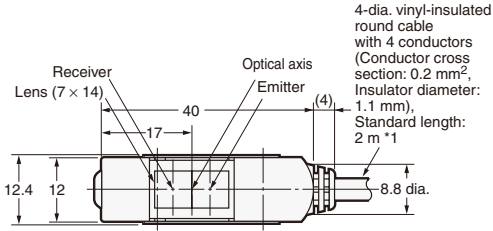
E3S-AD61/62/63/71/72/73  
-AD81/82/83/91/92/93



With Mounting Bracket Attached



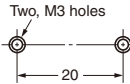
\*The Mounting Bracket can be attached to side A.



Timer adjuster/  
Turbo switch (black) \*2  
Turn to adjust the timer:  
push to switch turbo function

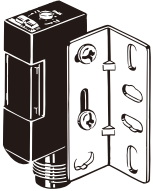
- \*1. E3S-AD61, E3S-AD62, E3S-AD63, E3S-AD81, E3S-AD82, and E3S-AD83 have three conductors.
- \*2. Timer adjuster: Not available on E3S-AD61, E3S-AD62, E3S-AD63, E3S-AD81, E3S-AD82 and E3S-AD83.  
Turbo switch: Available on E3S-AD71 and E3S-AD91 only.

Mounting Holes

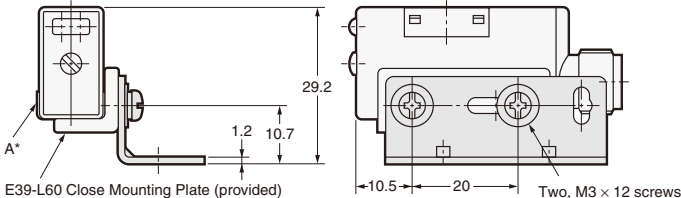
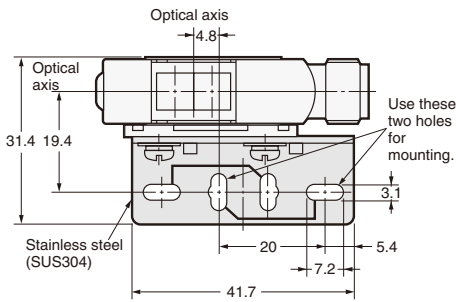


Sensors with Connectors

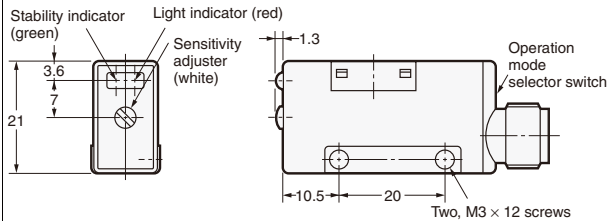
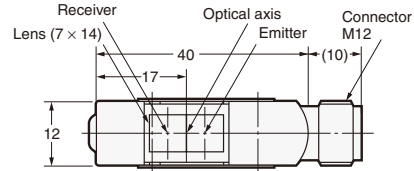
E3S-AD66/67/68/86/87/88



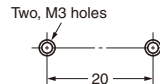
With Mounting Bracket Attached



E39-L60 Close Mounting Plate (provided)  
(Attach the mounting plate or the plug cannot be connected.)  
\*The Mounting Bracket can be attached to side A.

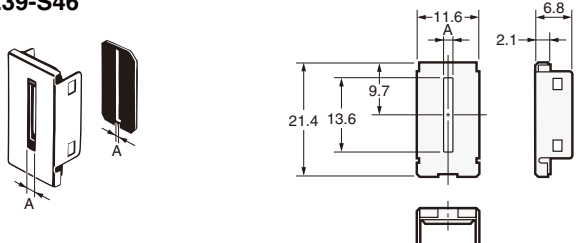


Mounting Holes



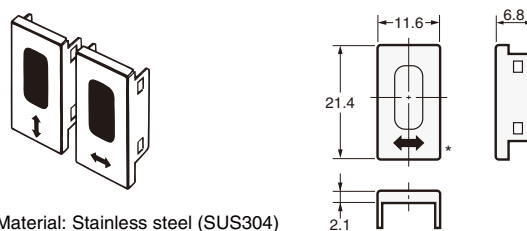
**Accessories (Order Separately)**

**Insert-type Long Slit (For Through-beam Model)  
E39-S46**



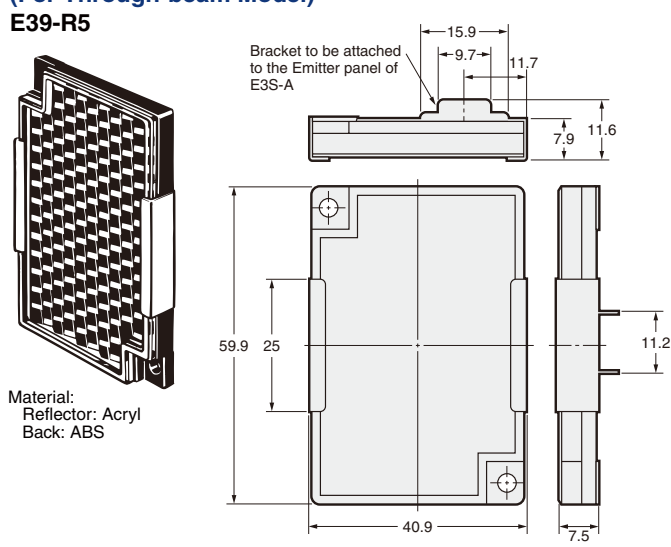
| Name      | Dimensions A | Material                 | Quantity                                       |
|-----------|--------------|--------------------------|--|
| Supporter | 2 mm         | Stainless steel (SUS304) | One each for Emitter and Receiver (total of 2) |
| Slits     | 0.5 mm       | PVC                      | One each for Emitter and Receiver (total of 4) |
|           | 1 mm         |                          |  |

**Filters for Mutual Interference Prevention (For Through-beam Model)  
E39-E6**



Material: Stainless steel (SUS304)  
\* Two of each for the Emitter and Receiver (total of four)

**Optical Axis Confirmation Reflector (For Through-beam Model)  
E39-R5**



Material:  
Reflector: Acryl  
Back: ABS

**Reflectors  
Mounting Brackets**

In the interest of product improvement, specifications are subject to change without notice.

# Photoelectric Sensors Technical Guide

## General Precautions

For precautions on individual products, refer to *Safety Precautions* in individual product information.

### ⚠ WARNING

These Sensors cannot be used in safety devices for presses or other safety devices used to protect human life. These Sensors are designed for use in applications for sensing workpieces and workers that do not affect safety.



### Precautions for Safe Use

To ensure safety, always observe the following precautions.

### ● Wiring

| Item   | Typical examples  |  |
|--|---|--|
| <p><b>Power Supply Voltage</b></p> <p>Do not use a voltage in excess of the operating voltage range. Applying a voltage in excess of the operating voltage range, or applying AC power (100 VAC or greater) to a DC Sensor may cause explosion or burning.</p> | <p>• DC Three-wire NPN Output Sensors</p>                                 | ---  |
| <p><b>Load Short-circuiting</b></p> <p>Do not short-circuit the load. Doing so may cause explosion or burning.</p>   | <p>• DC Three-wire NPN Output Sensor</p>                                  | <p>• AC Two-wire Sensors<br/>Example: E3E2</p>                                   |
| <p><b>Incorrect Wiring</b></p> <p>Do not reverse the power supply polarity or otherwise wire incorrectly. Doing so may cause explosion or burning.</p>   | <p>• DC Three-wire NPN Output Sensors<br/>Example: Incorrect Polarity</p> | <p>• DC Three-wire NPN Output Sensors<br/>Example: Incorrect Polarity Wiring</p> |
| <p><b>Connection without a load</b></p> <p>If the power supply is connected directly without a load, the internal elements may burst or burn. Be sure to insert a load when connecting the power supply.</p>   | <p>• DC Three-wire NPN Output Sensors</p>                                 | <p>• AC 2-wire Sensors<br/>Example: E3E2 etc.</p>                                |

### ● Operating Environment

- (1) Do not use a Sensor in an environment where there are explosive or inflammable gases.
- (2) Do not use the Sensor in environments where the cables may become immersed in oil or other liquids or where liquids may penetrate the Sensor. Doing so may result in damage from burning and fire, particularly if the liquid is flammable.

## Precautions for Correct Use

### ● Design

#### Power Reset Time

The Sensor will be ready to detect within approximately 100 ms after the power is turned ON.

If the Sensor and the load are connected to separate power supplies, turn ON the Sensor power before turning ON the load power. Any exceptions to this rule are indicated in *Safety Precautions* in individual product information.

#### Turning OFF Power

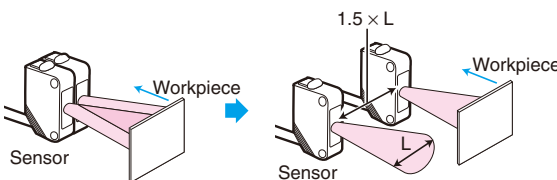
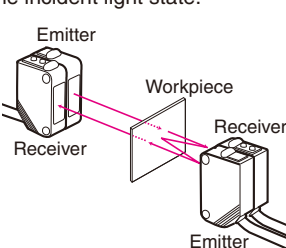
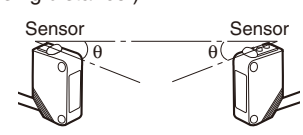
An output pulse may be generated when the power is turned OFF. It is recommended that the load or load line power be turned OFF before the Sensor power is turned OFF.

#### Power Supply Types

An unsmoothed full-wave or half-wave rectifying power supply cannot be used.

### Mutual Interference

Mutual interference is a state where an output is unstable because the Sensors are affected by light from the adjacent Sensors. The following measures can be taken to avoid mutual interference.

| Counter-measure | Concept   | Through-beam Sensors  | Reflective Sensors   |
|-----------------|---|---|--|
| 1               | Use a Sensor with the interference prevention function.         | If Sensors are mounted in close proximity, use Sensors with the interference prevention function.<br>10 or fewer Sensors: E3X-DA□-S, E3X-MDA, E3C-LDA Fiber Sensors<br>Performance, however, will depend on conditions. Refer to pages E3X-DA-S/E3X-MDA and E3C-LDA.<br>5 or fewer Sensors: E3X-NA Fiber Sensors<br>2 or fewer Sensors: E3T, E3Z, E3ZM, E3ZM-C, E3S-C, E3G-L1/L3, or E3S-C Built-in Amplifier Photoelectric Sensors (except Through-beam Sensors)<br>E3C Photoelectric Sensor with separate amplifier |  |
| 2               | Install an inference prevention filter.                         | A mutual interference prevention polarizing filter can be installed on only the E3Z-TA to allow close-proximity mounting of up to 2 Sensors.<br>Mutual Interference Prevention Polarizing Filter: E39-E11   | ---  |
| 3               | Separate Sensors to distance where interference does not occur. | Check the parallel movement distance range in the catalog, verify the set distance between adjacent Sensors, and install the Sensors accordingly at a distance at least 1.5 times the parallel movement distance range.   | If the workpieces move from far to near, chattering may occur in the vicinity of the operating point. For this type of application, separate the Sensors by at least 1.5 times the operating range.<br>  |
| 4               | Alternate Emitters and Receivers.                               | Close mounting of Sensors is possible by alternating the Emitters with the Receivers in a zigzag fashion (up to two Sensors). However, if the workpieces are close to the Photoelectric Sensors, light from the adjacent Emitter may be received and cause the Sensor to change to the incident light state.<br>   | ---  |
| 5               | Offset the optical axes.  | If there is a possibility that light from another Sensor may enter the Receiver, change the position of the Emitter and Receiver, place a light barrier between the Sensors, or take other measures to prevent the light from entering the Receiver.<br>(Light may enter even if the Sensors are separated by more than the sensing distance.)  | If Sensors are mounted in opposite each other, slant the Sensors as shown in the following diagram. (This is because the Sensors may affect each other and cause output chattering even if separated by more than the Sensor sensing distance.)<br> |
| 6               | Adjust the sensitivity.   | Lowering the sensitivity will generally help.   |  |

# Photoelectric Sensors Technical Guide

## Noise

Countermeasures for noise depend on the path of noise entry, frequency components, and wave heights. Typical measures are as given in the following table.

| Type of noise   | Noise intrusion path and countermeasure  |   |
|---|--|---|
|   | Before countermeasure  | After countermeasure  |
| <b>Common mode noise (inverter noise)</b><br>(Common noise applied between the mounting board and the +V and 0-V lines, respectively.)        | Noise enters from the noise source through the frame (metal).<br>                          | <ol style="list-style-type: none"> <li>Ground the inverter motor (to 100 Ω or less)</li> <li>Ground the noise source and the power supply (0-V side) through a capacitor (film capacitor, 0.22 μF, 630 V).</li> <li>Insert an insulator (plastic, rubber, etc.) between the Sensor and the mounting plate (metal).</li> </ol> |
| <b>Radiant noise</b><br>(Ingress of high-frequency electromagnetic waves directly into Sensor, from power line, etc.)                         | Noise propagates through the air from the noise source and directly enters the Sensor.<br> | <ul style="list-style-type: none"> <li>Insert a shield (copper) plate between the Sensor and the noise source e.g., a switching power supply).</li> <li>Separate the noise source and the Sensor to a distance where noise does not affect operation.</li> </ul>  |
| <b>Power line noise</b><br>(Ingress of electromagnetic induction from high-voltage wires and switching noise from the switching power supply) | Noise enters from the power line.<br>  | <ul style="list-style-type: none"> <li>Insert a capacitor (e.g., a film capacitor), noise filter (e.g., ferrite core or insulated transformer), or varistor in the power line.</li> </ul>   |

## ● Wiring

### Cable

Unless otherwise indicated, the maximum length of cable extension is 100 m using wire that is 0.3 mm<sup>2</sup> or greater.

Exceptions are indicated in **Safety Precautions** in individual product information.

### Cable Tensile Strength

When wiring the cable, do not subject the cable to a tension greater than that indicated in the following table.

| Cable diameter  | Tensile strength |
|-----------------|------------------|
| Less than 4 mm  | 30 N max.        |
| 4 mm or greater | 50 N max.        |

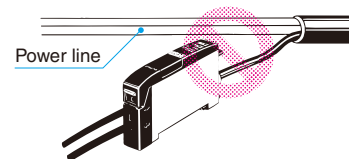
Note: Do not subject a shielded cable or coaxial cable to tension.

### Repeated Bending

Normally, the Sensor cable should not be bent repeatedly. (For bending-resistant cable, see **Attachment to Moving Parts** on page C-4.)

### Separation from High Voltage (Wiring Method)

Do not lay the cables for the Sensor together with high-voltage lines or power lines. Placing them in the same conduit or duct may cause damage or malfunction due to induction interference. As a general rule, wire the Sensor in a separate system, use an independent metal conduit, or use shielded cable.



### Work Required for Unconnected Leads

Unused leads for self-diagnosis outputs or other special functions should be cut and wrapped with insulating tape to prevent contact with other terminals.

## Power Supply

When using a commercially available switching regulator, ground the FG (frame ground) and G (ground) terminals. If not grounded, switching noise in the power supply may cause malfunction.

## Example of Connection with S3D2 Sensor Controller

### DC Three-wire NPN Output Sensors

Reverse operation is possible using the signal input switch on the S3D2.



## ● Mounting

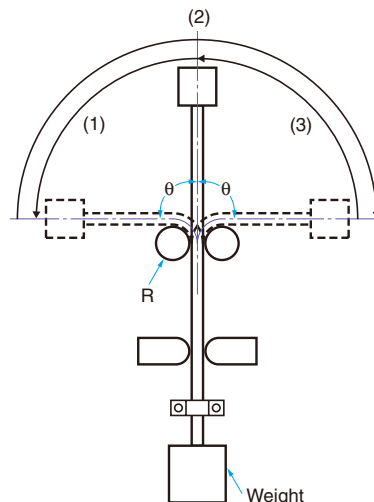
### Attachment to Moving Parts

To mount the Photoelectric Sensor to a moving part, such as a robot hand, consider using a Sensors that uses a bending-resistant cable (robot cable).

Although the bending repetition tolerance of a standard cable is approximately 13,000 times, robot cable has an excellent bending tolerance of approximately 500,000 times.

### Cable Bending Destruction Test (Tough Wire Breaking Test)

With current flowing, bending is repeated to check the number of bends until the current stops.



| Specimen               |                                      | Standard cable<br>VR (H) 3 x18/0.12 | Robot cable: Strong,<br>conductive electrical wire<br>2 x 0.15 mm <sup>2</sup> , shielded |
|------------------------|--------------------------------------|-------------------------------------|---|
| Description/conditions | Bending angle ( $\theta$ )           | Left/right 90° each                 | Left/right 45° each   |
|                        | Bending repetitions                  | ---                                 | 60 bends/minute   |
|                        | Weight                               | 300g                                | 200g  |
|                        | Operation per bending                | (1) through (3) in figure once      | (1) through (3) in figure once  |
|                        | Bending radius of support points (R) | 5 mm                                | 2.5 mm  |
| Result                 |                                      | Approx. 13,000 times                | Approx. 500,000 times   |

The testing conditions of the standard cable and robot cable are different.

Refer to the values in the above table to check bend-resistant performance under actual working conditions.

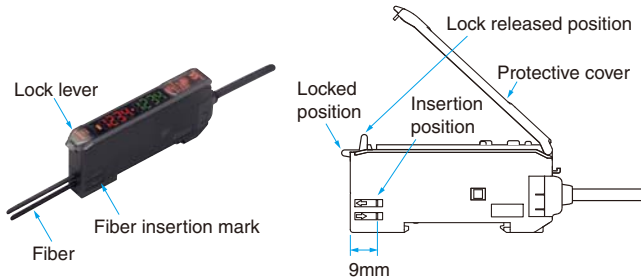


## Securing Fibers

The E3X Fiber Unit uses a one-touch locking mechanism. Use the following methods to attach and remove Fiber Units.

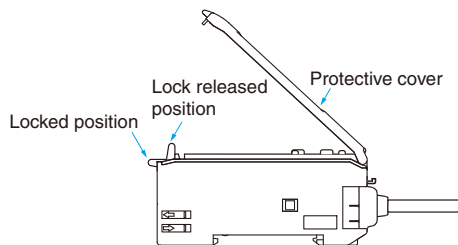
### (1) Attaching Fibers

Open the protective cover, insert the fiber up to the insertion mark on the side of the Fiber Unit, and then lower the lock lever.



### (2) Removing Fibers

Open the protective cover, lift up the lock lever, and pull out the fibers.

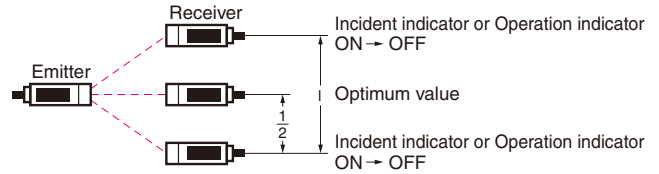


Note: 1. To maintain the fiber characteristics, make sure that the lock is released before removing the fibers.  
2. Lock and unlock the fibers at an ambient temperature of  $-10$  to  $40^{\circ}\text{C}$ .

## ● Adjustments

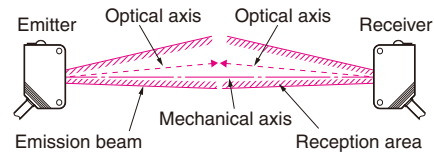
### Optical Axis Adjustment

Move the Photoelectric Sensor both vertically and horizontally and set it in the center of the range in which the operation indicator is lit or not lit. For the E3S-C, the optical axis and the mechanical axis are the same, so the optical axis can be easily adjusted by aligning the mechanical axis.



**Optical axis:** The axis from the center of the lens to the center of the beam for the Emitter and the axis from the center of the lens to the center of the reception area for the Receiver.

**Mechanical axis:** The axis perpendicular to the center of the lens.



## ● Operating Environment

### Water Resistance

Do not use in water, in rain, or outside.

### Ambient Conditions

Do not use this Sensor in the following locations. Otherwise, it may malfunction or fail.

- (1) Locations exposed to excessive dust and dirt
- (2) Locations exposed to direct sunlight
- (3) Locations with corrosive gas vapors
- (4) Locations where organic solvents may splash onto the Sensor
- (5) Locations subject to vibration or shock
- (6) Locations where there is a possibility of direct contact with water, oil, or chemicals
- (7) Locations with high humidity and where condensation may result

### Environmentally Resistive Sensors

The E32-T11F/T12F/T14F/T81F-S/D12F/D82F and E3HQ can be used in locations (3) and (6) above.

### Optical Fiber Photoelectric Sensors in Explosive Gas Atmospheres

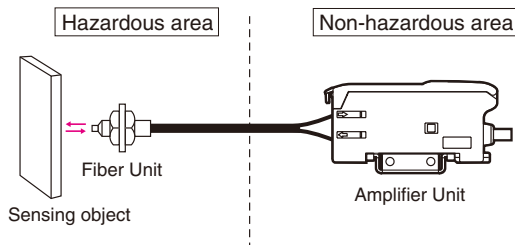
The Fiber Unit can be installed in the hazardous area, and the Amplifier Unit can be installed in a non-hazardous area.

#### <Reason>

For explosion or fire due to electrical equipment to occur, both the hazardous atmosphere and a source of ignition must be in the same location. Optical energy does not act as an ignition source, thus there is no danger of explosion or fire. The lens, case, and fiber covering are made of plastic, so this setup cannot be used if there is a possibility of contact with solvents that will corrode or degrade (e.g., cloud) the plastic.

#### <Ignition Source>

Electrical sparks or high-temperature parts that have sufficient energy to cause explosion in a hazardous atmosphere are called ignition sources.



### Influence from External Electrical Fields

Do not bring a transceiver near the Photoelectric Sensor or its wiring, because this may cause incorrect operation.

## ● Maintenance and Inspection

### Points to Check When the Sensor Does Not Operate

- If the Sensor does not operate, check the following points.
  - (1) Are the wiring and connections correct?
  - (2) Are any of the mounting screws loose?
  - (3) Are the optical axis and sensitivity adjusted correctly?
  - (4) Do the sensing object and the workpiece speed satisfy the ratings and specifications?
  - (5) Are any foreign objects, such as debris or dust, adhering to the Emitter lens or Receiver lens?
  - (6) Is strong light, such as sunlight (e.g., reflected from a wall), shining on the Receiver?
  - (7) Do not attempt to disassemble or repair the Sensor under any circumstances.
  - (8) If you determine that the Sensor clearly has a failure, immediately turn OFF the power supply.

### Lens and Case

The lens and case of the Photoelectric Sensor are primarily made of plastic. Dirt should be gently wiped off with a dry cloth. Do not use thinner or other organic solvents.

- The case of the E3ZM, E3ZM-C and E3S-C is metal. The lens, however, is plastic.

## ● Accessories

### Using a Reflector (E39-R3/R37/RS1/RS2/RS3)

#### During Application

- (1) When using adhesive tape on the rear face, apply it after washing away oil and dust with detergent. The Reflector cannot be mounted if there is any oil or dirt remaining.
- (2) Do not press on the E39-RS1/RS2/RS3 with metal or a fingernail. This may weaken performance.
- (3) This Sensor cannot be used in locations where oil or chemicals may splash on the Sensor.

### M8 and M12 Connectors

- Be sure to connect or disconnect the connector after turning OFF the Sensor.
- Hold the connector cover to connect or disconnect the connector.
- Secure the connector cover by hand. Do not use pliers, otherwise the connector may be damaged.
- If the connector is not connected securely, the connector may be disconnected by vibration or the proper degree of protection of the Sensor may not be maintained.

## ● Others

### Values Given in Typical Examples

The data and values given as typical examples are not ratings and performance and do not indicate specified performance. They are rather values from samples taken from production lots, and are provided for reference as guidelines. Typical examples include the minimum sensing object, engineering data, step (height) detection data, and selection list for specifications.

### Cleaning

- Keep organic solvents away from the Sensor. Organic solvents will dissolve the surface.
- Use a soft, dry cloth to clean the Sensor.

## Read and Understand This Catalog

Please read and understand this catalog before purchasing the products. Please consult your OMRON representative if you have any questions or comments.

## Warranty and Limitations of Liability

### WARRANTY

OMRON's exclusive warranty is that the products are free from defects in materials and workmanship for a period of one year (or other period if specified) from date of sale by OMRON.

OMRON MAKES NO WARRANTY OR REPRESENTATION, EXPRESS OR IMPLIED, REGARDING NON-INFRINGEMENT, MERCHANTABILITY, OR FITNESS FOR PARTICULAR PURPOSE OF THE PRODUCTS. ANY BUYER OR USER ACKNOWLEDGES THAT THE BUYER OR USER ALONE HAS DETERMINED THAT THE PRODUCTS WILL SUITABLY MEET THE REQUIREMENTS OF THEIR INTENDED USE. OMRON DISCLAIMS ALL OTHER WARRANTIES, EXPRESS OR IMPLIED.

### LIMITATIONS OF LIABILITY

OMRON SHALL NOT BE RESPONSIBLE FOR SPECIAL, INDIRECT, OR CONSEQUENTIAL DAMAGES, LOSS OF PROFITS, OR COMMERCIAL LOSS IN ANY WAY CONNECTED WITH THE PRODUCTS, WHETHER SUCH CLAIM IS BASED ON CONTRACT, WARRANTY, NEGLIGENCE, OR STRICT LIABILITY.

In no event shall responsibility of OMRON for any act exceed the individual price of the product on which liability is asserted.

IN NO EVENT SHALL OMRON BE RESPONSIBLE FOR WARRANTY, REPAIR, OR OTHER CLAIMS REGARDING THE PRODUCTS UNLESS OMRON'S ANALYSIS CONFIRMS THAT THE PRODUCTS WERE PROPERLY HANDLED, STORED, INSTALLED, AND MAINTAINED AND NOT SUBJECT TO CONTAMINATION, ABUSE, MISUSE, OR INAPPROPRIATE MODIFICATION OR REPAIR.

## Application Considerations

### SUITABILITY FOR USE

OMRON shall not be responsible for conformity with any standards, codes, or regulations that apply to the combination of products in the customer's application or use of the product.

At the customer's request, OMRON will provide applicable third party certification documents identifying ratings and limitations of use that apply to the products. This information by itself is not sufficient for a complete determination of the suitability of the products in combination with the end product, machine, system, or other application or use.

The following are some examples of applications for which particular attention must be given. This is not intended to be an exhaustive list of all possible uses of the products, nor is it intended to imply that the uses listed may be suitable for the products:

- Outdoor use, uses involving potential chemical contamination or electrical interference, or conditions or uses not described in this catalog.
- Nuclear energy control systems, combustion systems, railroad systems, aviation systems, medical equipment, amusement machines, vehicles, safety equipment, and installations subject to separate industry or government regulations.
- Systems, machines, and equipment that could present a risk to life or property.

Please know and observe all prohibitions of use applicable to the products.

NEVER USE THE PRODUCTS FOR AN APPLICATION INVOLVING SERIOUS RISK TO LIFE OR PROPERTY WITHOUT ENSURING THAT THE SYSTEM AS A WHOLE HAS BEEN DESIGNED TO ADDRESS THE RISKS, AND THAT THE OMRON PRODUCT IS PROPERLY RATED AND INSTALLED FOR THE INTENDED USE WITHIN THE OVERALL EQUIPMENT OR SYSTEM.

## Disclaimers

### CHANGE IN SPECIFICATIONS

Product specifications and accessories may be changed at any time based on improvements and other reasons.

It is our practice to change model numbers when published ratings or features are changed, or when significant construction changes are made. However, some specifications of the product may be changed without any notice. When in doubt, special model numbers may be assigned to fix or establish key specifications for your application on your request. Please consult with your OMRON representative at any time to confirm actual specifications of purchased product.

### DIMENSIONS AND WEIGHTS

Dimensions and weights are nominal and are not to be used for manufacturing purposes, even when tolerances are shown.

### ERRORS AND OMISSIONS

The information in this catalog has been carefully checked and is believed to be accurate; however, no responsibility is assumed for clerical, typographical, or proofreading errors, or omissions.

### PERFORMANCE DATA

Performance data given in this catalog is provided as a guide for the user in determining suitability and does not constitute a warranty. It may represent the result of OMRON's test conditions, and the users must correlate it to actual application requirements. Actual performance is subject to the OMRON Warranty and Limitations of Liability.

### PROGRAMMABLE PRODUCTS

OMRON shall not be responsible for the user's programming of a programmable product, or any consequence thereof.

### COPYRIGHT AND COPY PERMISSION

This catalog shall not be copied for sales or promotions without permission.

This catalog is protected by copyright and is intended solely for use in conjunction with the product. Please notify us before copying or reproducing this catalog in any manner, for any other purpose. If copying or transmitting this catalog to another, please copy or transmit it in its entirety.

Компания «Life Electronics» занимается поставками электронных компонентов импортного и отечественного производства от производителей и со складов крупных дистрибьюторов Европы, Америки и Азии.

С конца 2013 года компания активно расширяет линейку поставок компонентов по направлению коаксиальный кабель, кварцевые генераторы и конденсаторы (керамические, пленочные, электролитические), за счёт заключения дистрибьюторских договоров

Мы предлагаем:

- Конкурентоспособные цены и скидки постоянным клиентам.
- Специальные условия для постоянных клиентов.
- Подбор аналогов.
- Поставку компонентов в любых объемах, удовлетворяющих вашим потребностям.
- Приемлемые сроки поставки, возможна ускоренная поставка.
- Доставку товара в любую точку России и стран СНГ.
- Комплексную поставку.
- Работу по проектам и поставку образцов.
- Формирование склада под заказчика.
- Сертификаты соответствия на поставляемую продукцию (по желанию клиента).
- Тестирование поставляемой продукции.
- Поставку компонентов, требующих военную и космическую приемку.
- Входной контроль качества.
- Наличие сертификата ISO.

В составе нашей компании организован Конструкторский отдел, призванный помогать разработчикам, и инженерам.

Конструкторский отдел помогает осуществить:

- Регистрацию проекта у производителя компонентов.
- Техническую поддержку проекта.
- Защиту от снятия компонента с производства.
- Оценку стоимости проекта по компонентам.
- Изготовление тестовой платы монтаж и пусконаладочные работы.

